

PARTS LIST FOR 25CC TRIMMER

DATE/R2/JAN. 1. 1982

CONTENTS

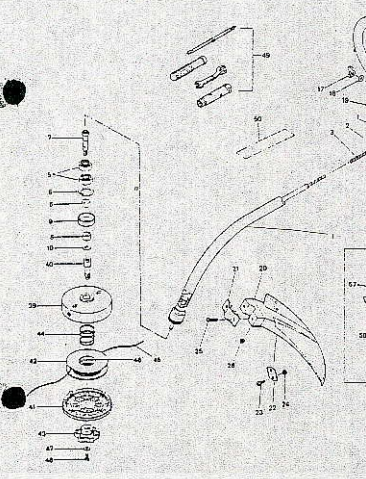
- DRIVE SHAFT ILLUSTRATION
- DRIVE SHAFT PARTS LIST
- ENGINE ILLUSTRATION
- ENGINE PARTS LIST

NOTE: PARTS INDEX NO. IN 'D' ARE NOT SUPPLIED INDIVIDUALLY AND AVAILABLE ONLY AS KIT PARTS.

DRIVE SHAFT SERVICE PARTS

No.	PARTS NUMBER	QTY	DESCRIPTION	No.	PARTS NUMBER	QTY	DESCRIPTION
1	3228-1110	1	PIPE COMP	26	0228-1066	2	NUT
2	3228-1121	1	SHAFT, flexible	27	3228-0810	1	CASE/IN, throttle
3	3228-1450	1	SHAFT, main	28	3228-1420	1	CASE/IN, throttle
4	3228-1450	1	SHAFT, main	29	3228-1420	1	CASE/IN, throttle
5	3228-1450	1	SHAFT, main	30	3228-1420	1	CASE/IN, throttle
6	3228-1450	1	SHAFT, main	31	3228-1420	1	CASE/IN, throttle
7	3228-1450	1	SHAFT, main	32	3228-1420	1	CASE/IN, throttle
8	3228-1450	1	SHAFT, main	33	3228-1420	1	CASE/IN, throttle
9	3228-1450	1	SHAFT, main	34	3228-1420	1	CASE/IN, throttle
10	3228-1450	1	SHAFT, main	35	3228-1420	1	CASE/IN, throttle
11	3228-1450	1	SHAFT, main	36	3228-1420	1	CASE/IN, throttle
12	3228-1450	1	SHAFT, main	37	3228-1420	1	CASE/IN, throttle
13	3228-1450	1	SHAFT, main	38	3228-1420	1	CASE/IN, throttle
14	3228-1450	1	SHAFT, main	39	3228-1420	1	CASE/IN, throttle
15	3228-1450	1	SHAFT, main	40	3228-1420	1	CASE/IN, throttle
16	3228-1450	1	SHAFT, main	41	3228-1420	1	CASE/IN, throttle
17	3228-1450	1	SHAFT, main	42	3228-1420	1	CASE/IN, throttle
18	3228-1450	1	SHAFT, main	43	3228-1420	1	CASE/IN, throttle
19	3228-1450	1	SHAFT, main	44	3228-1420	1	CASE/IN, throttle
20	3228-1450	1	SHAFT, main	45	3228-1420	1	CASE/IN, throttle
21	3228-1450	1	SHAFT, main	46	3228-1420	1	CASE/IN, throttle
22	3228-1450	1	SHAFT, main	47	3228-1420	1	CASE/IN, throttle
23	3228-1450	1	SHAFT, main	48	3228-1420	1	CASE/IN, throttle
24	3228-1450	1	SHAFT, main	49	3228-1420	1	CASE/IN, throttle
25	3228-1450	1	SHAFT, main	50	3228-1420	1	CASE/IN, throttle

DRIVE SHAFT SERVICE PARTS



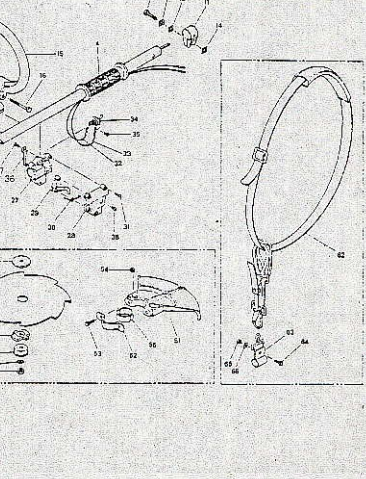
DRIVE SHAFT SERVICE PARTS

No.	PARTS NUMBER	QTY	DESCRIPTION	No.	PARTS NUMBER	QTY	DESCRIPTION
51	3228-0910	1	GUARD, blade	33	3228-1561	1	CASE/IN
52	3228-0920	1	CLAMP, blade guard	34	3228-1510	1	SHAFT
53	3228-0930	1	ROD	35	3228-1520	1	CASE/IN
54	0228-1066	2	NUT	36	3228-1532	1	CORD HOLDER
55	0228-1066	2	NUT	37	3228-1540	1	KNIFE, cord holder
56	3228-0950	1	SPACER, blade guard	38	3228-1550	1	SPRING, cord holder
57	3228-0960	1	HOLDER/IN	39	3228-1560	1	CORD
58	3228-0970	1	BLACK, wash	40	3228-1570	1	WASHER
59	3228-0980	1	WASHER	41	3228-1580	1	SCREW
60	0228-1066	2	NUT	42	3228-1590	1	SCREW
61	0228-1066	2	NUT	43	3228-1600	1	SCREW
62	3228-1700	1	STRAP ASSY	44	3228-1610	1	SCREW
63	3228-1700	1	HANGER	45	3228-1620	1	SCREW
64	0228-1066	2	NUT	46	3228-1630	1	SCREW
65	0228-1066	2	NUT	47	3228-1640	1	SCREW
66	0228-1066	2	NUT	48	3228-1650	1	SCREW

DRIVE SHAFT SERVICE PARTS

No.	PARTS NUMBER	QTY	DESCRIPTION	No.	PARTS NUMBER	QTY	DESCRIPTION
67	3228-1110	1	PIPE COMP	26	0228-1066	2	NUT
68	3228-1121	1	SHAFT, flexible	27	3228-0810	1	CASE/IN, throttle
69	3228-1450	1	SHAFT, main	28	3228-1420	1	CASE/IN, throttle
70	3228-1450	1	SHAFT, main	29	3228-1420	1	CASE/IN, throttle
71	3228-1450	1	SHAFT, main	30	3228-1420	1	CASE/IN, throttle
72	3228-1450	1	SHAFT, main	31	3228-1420	1	CASE/IN, throttle
73	3228-1450	1	SHAFT, main	32	3228-1420	1	CASE/IN, throttle
74	3228-1450	1	SHAFT, main	33	3228-1420	1	CASE/IN, throttle
75	3228-1450	1	SHAFT, main	34	3228-1420	1	CASE/IN, throttle
76	3228-1450	1	SHAFT, main	35	3228-1420	1	CASE/IN, throttle
77	3228-1450	1	SHAFT, main	36	3228-1420	1	CASE/IN, throttle
78	3228-1450	1	SHAFT, main	37	3228-1420	1	CASE/IN, throttle
79	3228-1450	1	SHAFT, main	38	3228-1420	1	CASE/IN, throttle
80	3228-1450	1	SHAFT, main	39	3228-1420	1	CASE/IN, throttle
81	3228-1450	1	SHAFT, main	40	3228-1420	1	CASE/IN, throttle
82	3228-1450	1	SHAFT, main	41	3228-1420	1	CASE/IN, throttle
83	3228-1450	1	SHAFT, main	42	3228-1420	1	CASE/IN, throttle
84	3228-1450	1	SHAFT, main	43	3228-1420	1	CASE/IN, throttle
85	3228-1450	1	SHAFT, main	44	3228-1420	1	CASE/IN, throttle
86	3228-1450	1	SHAFT, main	45	3228-1420	1	CASE/IN, throttle
87	3228-1450	1	SHAFT, main	46	3228-1420	1	CASE/IN, throttle
88	3228-1450	1	SHAFT, main	47	3228-1420	1	CASE/IN, throttle
89	3228-1450	1	SHAFT, main	48	3228-1420	1	CASE/IN, throttle
90	3228-1450	1	SHAFT, main	49	3228-1420	1	CASE/IN, throttle
91	3228-1450	1	SHAFT, main	50	3228-1420	1	CASE/IN, throttle

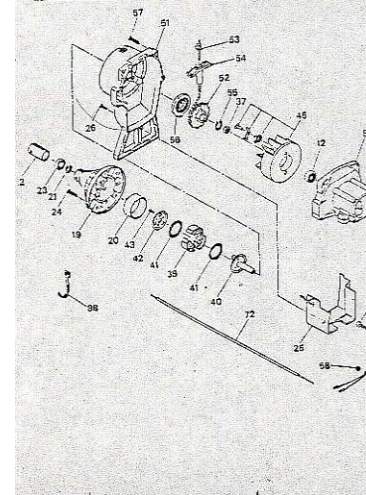
DRIVE SHAFT SERVICE PARTS



ENGINE SERVICE PARTS

No.	PARTS NUMBER	QTY	DESCRIPTION	No.	PARTS NUMBER	QTY	DESCRIPTION
1	1250-1211	1	CYLINDER	26	1250-1250	1	GRINDMET
2	1250-0910	1	SCREW, flywheel	27	1250-1260	1	CARBURETOR ASSY
3	1250-0920	1	SCREW, flywheel	28	1250-1270	1	GASKET, pump
4	1250-0930	1	SCREW, flywheel	29	1250-1280	1	DIAPHRAGM, pump
5	1250-0940	1	SCREW, flywheel	30	1250-1290	1	DIAPHRAGM ASSY
6	1250-0950	1	SCREW, flywheel	31	1250-1300	1	VALVE
7	1250-0960	1	SCREW, flywheel	32	1250-1310	1	VALVE
8	1250-0970	1	SCREW, flywheel	33	1250-1320	1	VALVE
9	1250-0980	1	SCREW, flywheel	34	1250-1330	1	VALVE
10	1250-0990	1	SCREW, flywheel	35	1250-1340	1	VALVE
11	1250-1000	1	SCREW, flywheel	36	1250-1350	1	VALVE
12	1250-1010	1	SCREW, flywheel	37	1250-1360	1	VALVE
13	1250-1020	1	SCREW, flywheel	38	1250-1370	1	VALVE
14	1250-1030	1	SCREW, flywheel	39	1250-1380	1	VALVE
15	1250-1040	1	SCREW, flywheel	40	1250-1390	1	VALVE
16	1250-1050	1	SCREW, flywheel	41	1250-1400	1	VALVE
17	1250-1060	1	SCREW, flywheel	42	1250-1410	1	VALVE
18	1250-1070	1	SCREW, flywheel	43	1250-1420	1	VALVE
19	1250-1080	1	SCREW, flywheel	44	1250-1430	1	VALVE
20	1250-1090	1	SCREW, flywheel	45	1250-1440	1	VALVE
21	1250-1100	1	SCREW, flywheel	46	1250-1450	1	VALVE
22	1250-1110	1	SCREW, flywheel	47	1250-1460	1	VALVE
23	1250-1120	1	SCREW, flywheel	48	1250-1470	1	VALVE
24	1250-1130	1	SCREW, flywheel	49	1250-1480	1	VALVE
25	1250-1140	1	SCREW, flywheel	50	1250-1490	1	VALVE

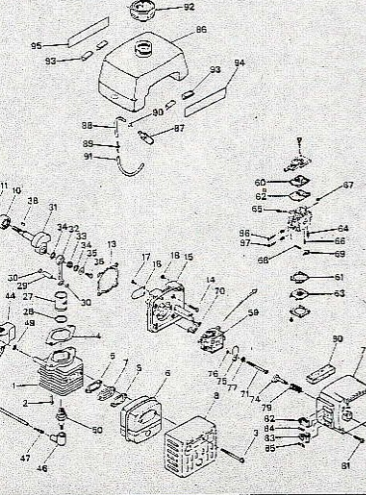
ENGINE SERVICE PARTS



ENGINE SERVICE KIT PARTS

No.	PARTS NUMBER	QTY	DESCRIPTION	No.	PARTS NUMBER	QTY	DESCRIPTION
51	1250-1211	1	CYLINDER	33	1250-1561	1	CASE/IN
52	1250-0910	1	SCREW, flywheel	34	1250-1510	1	SHAFT
53	1250-0920	1	SCREW, flywheel	35	1250-1520	1	CASE/IN
54	1250-0930	1	SCREW, flywheel	36	1250-1532	1	CORD HOLDER
55	1250-0940	1	SCREW, flywheel	37	1250-1540	1	KNIFE, cord holder
56	1250-0950	1	SCREW, flywheel	38	1250-1550	1	SPRING, cord holder
57	1250-0960	1	SCREW, flywheel	39	1250-1560	1	CORD
58	1250-0970	1	SCREW, flywheel	40	1250-1570	1	WASHER
59	1250-0980	1	SCREW, flywheel	41	1250-1580	1	SCREW
60	1250-0990	1	SCREW, flywheel	42	1250-1590	1	SCREW
61	1250-1000	1	SCREW, flywheel	43	1250-1600	1	SCREW
62	1250-1010	1	SCREW, flywheel	44	1250-1610	1	SCREW
63	1250-1020	1	SCREW, flywheel	45	1250-1620	1	SCREW
64	1250-1030	1	SCREW, flywheel	46	1250-1630	1	SCREW
65	1250-1040	1	SCREW, flywheel	47	1250-1640	1	SCREW
66	1250-1050	1	SCREW, flywheel	48	1250-1650	1	SCREW
67	1250-1060	1	SCREW, flywheel	49	1250-1660	1	SCREW
68	1250-1070	1	SCREW, flywheel	50	1250-1670	1	SCREW
69	1250-1080	1	SCREW, flywheel	51	1250-1680	1	SCREW
70	1250-1090	1	SCREW, flywheel	52	1250-1690	1	SCREW
71	1250-1100	1	SCREW, flywheel	53	1250-1700	1	SCREW
72	1250-1110	1	SCREW, flywheel	54	1250-1710	1	SCREW
73	1250-1120	1	SCREW, flywheel	55	1250-1720	1	SCREW
74	1250-1130	1	SCREW, flywheel	56	1250-1730	1	SCREW
75	1250-1140	1	SCREW, flywheel	57	1250-1740	1	SCREW
76	1250-1150	1	SCREW, flywheel	58	1250-1750	1	SCREW
77	1250-1160	1	SCREW, flywheel	59	1250-1760	1	SCREW
78	1250-1170	1	SCREW, flywheel	60	1250-1770	1	SCREW
79	1250-1180	1	SCREW, flywheel	61	1250-1780	1	SCREW
80	1250-1190	1	SCREW, flywheel	62	1250-1790	1	SCREW
81	1250-1200	1	SCREW, flywheel	63	1250-1800	1	SCREW
82	1250-1210	1	SCREW, flywheel	64	1250-1810	1	SCREW
83	1250-1220	1	SCREW, flywheel	65	1250-1820	1	SCREW
84	1250-1230	1	SCREW, flywheel	66	1250-1830	1	SCREW
85	1250-1240	1	SCREW, flywheel	67	1250-1840	1	SCREW
86	1250-1250	1	SCREW, flywheel	68	1250-1850	1	SCREW
87	1250-1260	1	SCREW, flywheel	69	1250-1860	1	SCREW
88	1250-1270	1	SCREW, flywheel	70	1250-1870	1	SCREW
89	1250-1280	1	SCREW, flywheel	71	1250-1880	1	SCREW
90	1250-1290	1	SCREW, flywheel	72	1250-1890	1	SCREW
91	1250-1300	1	SCREW, flywheel	73	1250-1900	1	SCREW
92	1250-1310	1	SCREW, flywheel	74	1250-1910	1	SCREW
93	1250-1320	1	SCREW, flywheel	75	1250-1920	1	SCREW
94	1250-1330	1	SCREW, flywheel	76	1250-1930	1	SCREW
95	1250-1340	1	SCREW, flywheel	77	1250-1940	1	SCREW
96	1250-1350	1	SCREW, flywheel	78	1250-1950	1	SCREW
97	1250-1360	1	SCREW, flywheel	79	1250-1960	1	SCREW
98	1250-1370	1	SCREW, flywheel	80	1250-1970	1	SCREW
99	1250-1380	1	SCREW, flywheel	81	1250-1980	1	SCREW
100	1250-1390	1	SCREW, flywheel	82	1250-1990	1	SCREW

ENGINE SERVICE KIT PARTS



NYLON CUTTER ASSY 3228-1500-1