

28N700

Illustrated Parts List

Model Series

28N700

TYPE NUMBERS
0026 through 1205.

TABLE OF CONTENTS

| | |
|-------------------------------|----|
| Air Cleaner | 5 |
| Alternator | 9 |
| Blower Housing/Shrouds | 7 |
| Cams | 2 |
| Carburetor | 4 |
| Controls | 6 |
| Crankcase Cover/Sump | 2 |
| Crankshaft | 2 |
| Cylinder | 2 |
| Electric Starter | 10 |
| Flywheel | 8 |
| Fuel Tank | 6 |
| Head | 3 |
| Ignition | 9 |
| Kits/Gaskets-Carburetor | 4 |
| Kits/Gaskets-Cylinder | 2 |
| Kits/Gaskets-Valve | 3 |
| Muffler | 5 |
| Oil | 3 |
| Piston Group | 2 |
| Rewind | 8 |
| Valves | 3 |

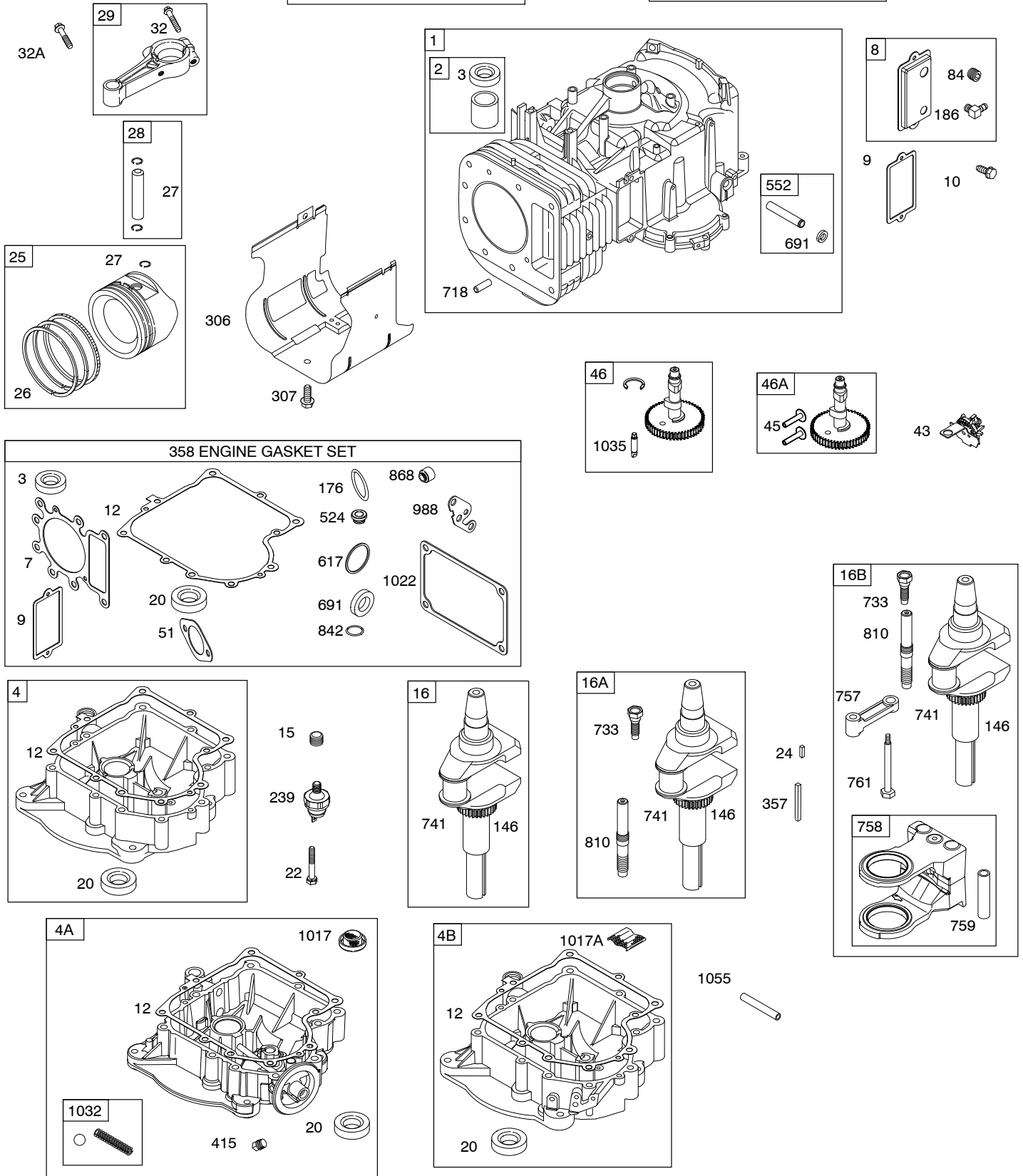
PRINTED IN U.S.A.

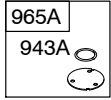
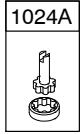
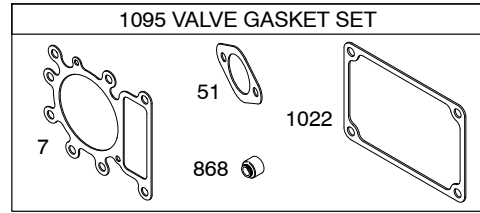
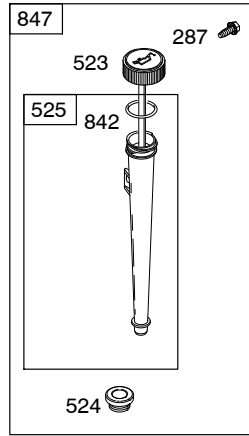
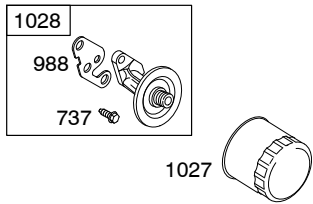


COPYRIGHT by BRIGGS & STRATTON CORPORATION
All rights reserved. No part of this material may be reproduced or transmitted, in any form or by any means, electronic or mechanical, including photocopying, recording or by any information storage and retrieval system, without permission in writing from Briggs & Stratton Corporation.

1058 OPERATOR'S MANUAL

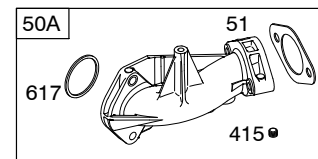
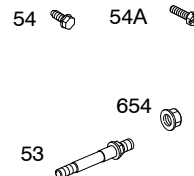
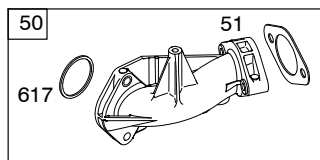
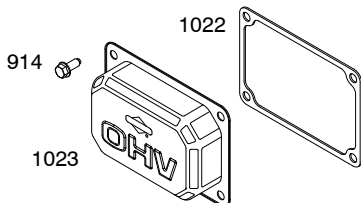
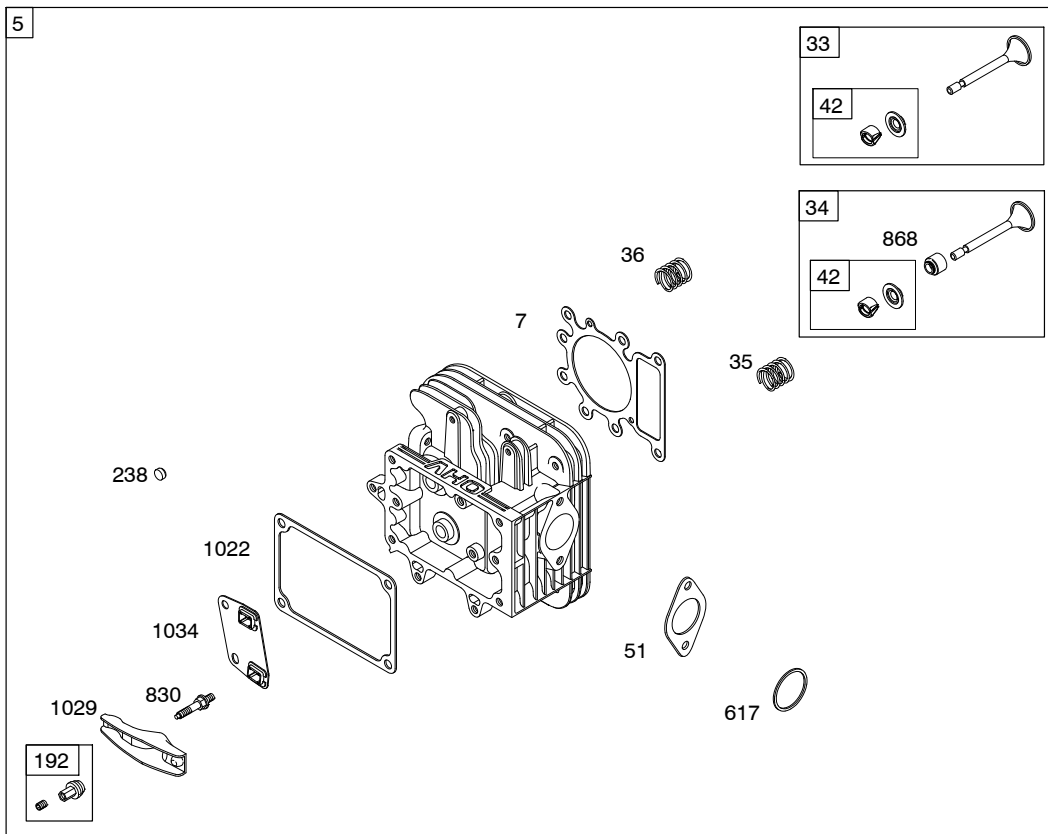
1330 REPAIR MANUAL



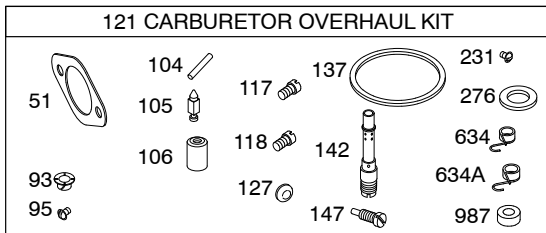
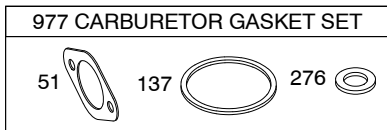
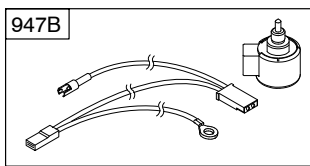
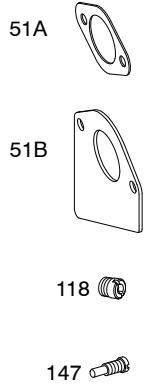
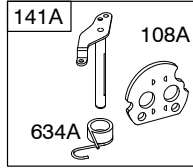
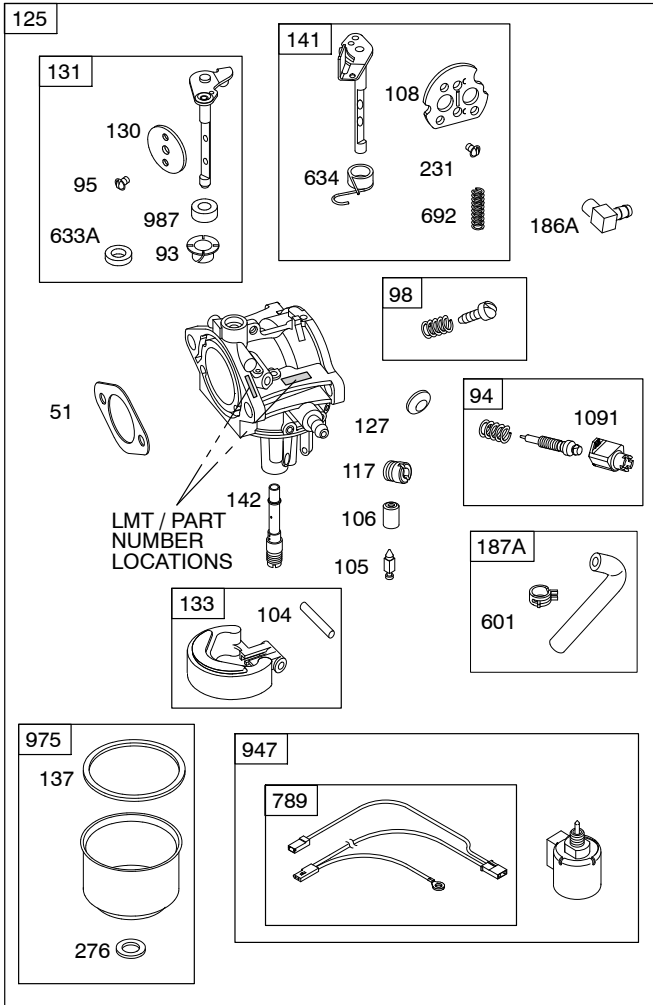


750

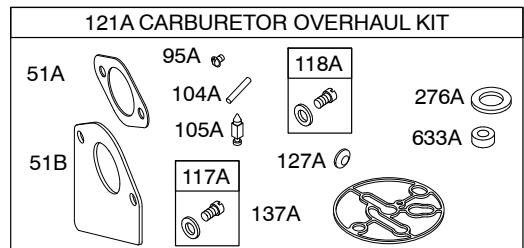
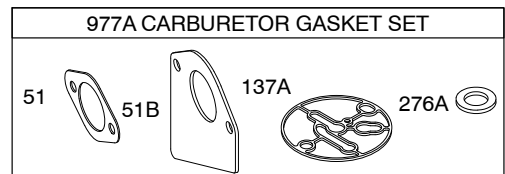
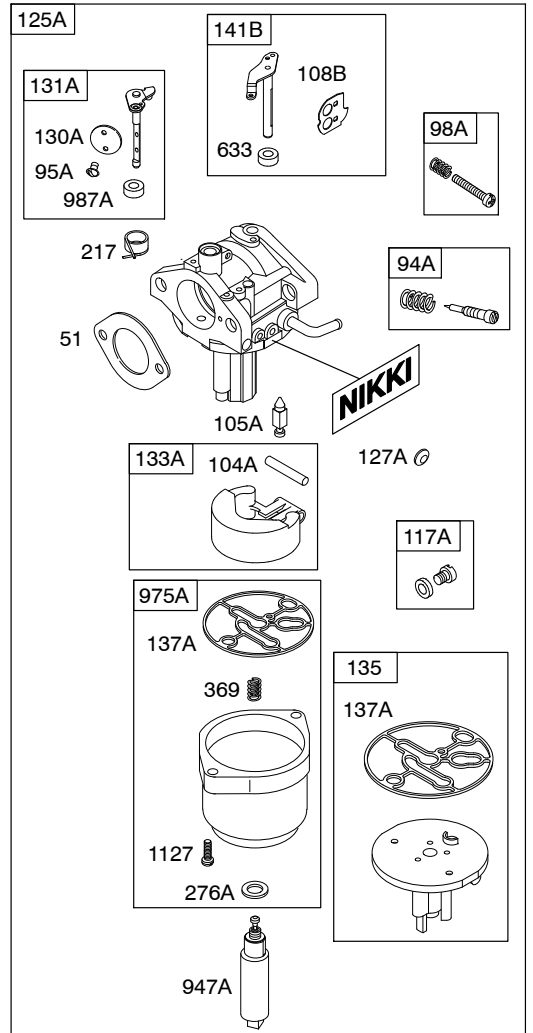
750A

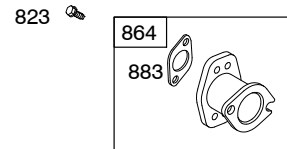
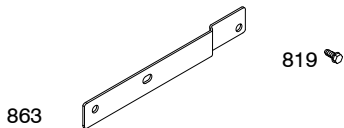
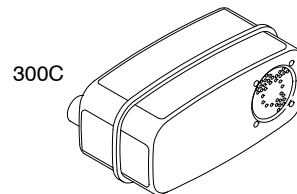
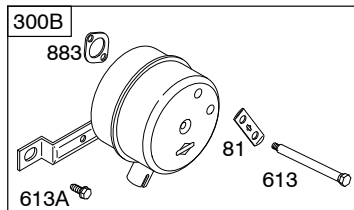
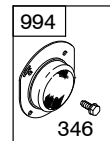
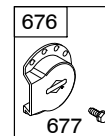
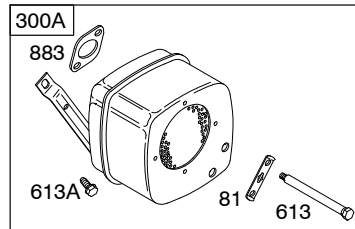
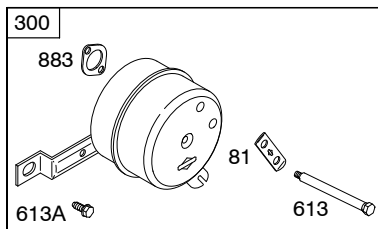
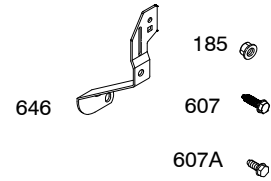
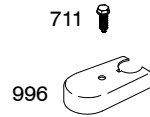
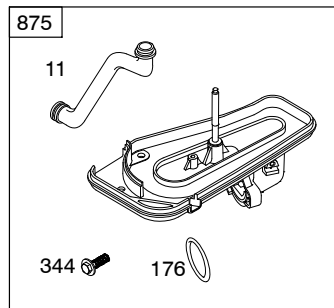
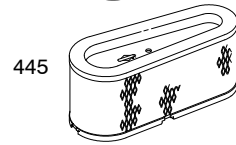
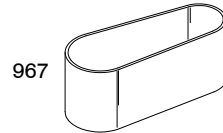
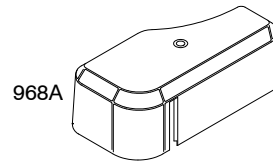
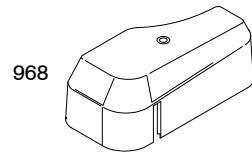


WALBRO

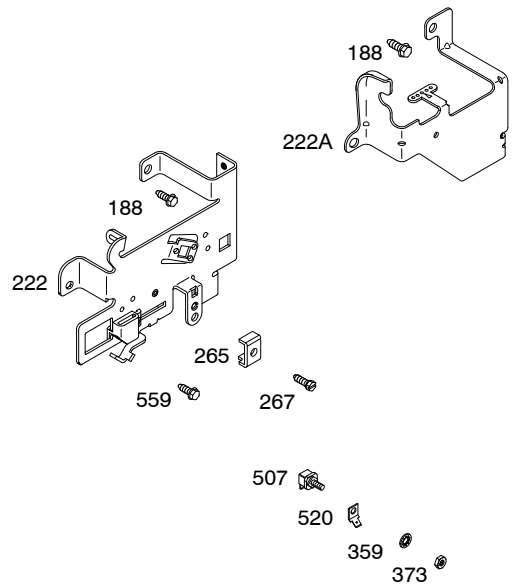
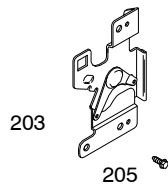
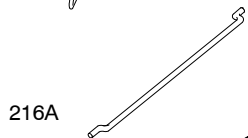
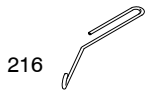
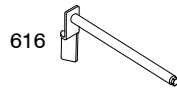
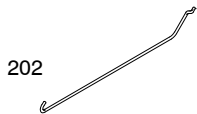
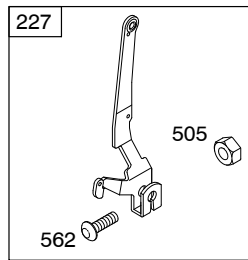
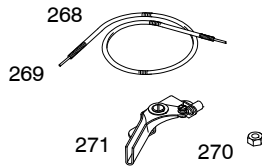
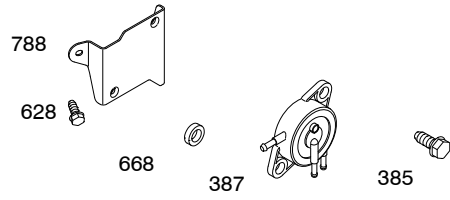
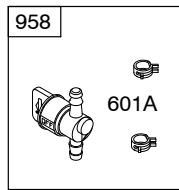
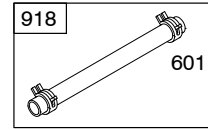
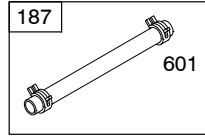
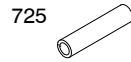


NIKKI



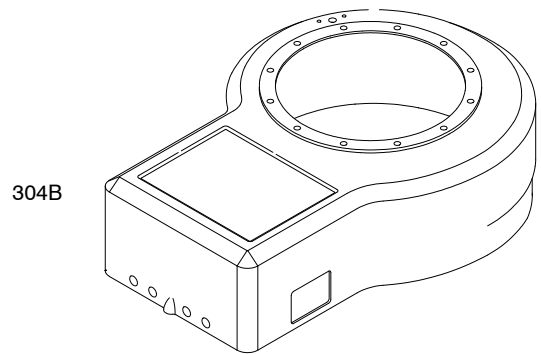
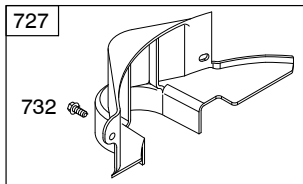
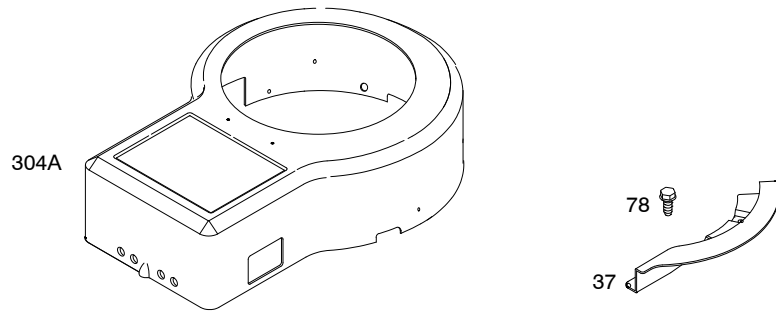
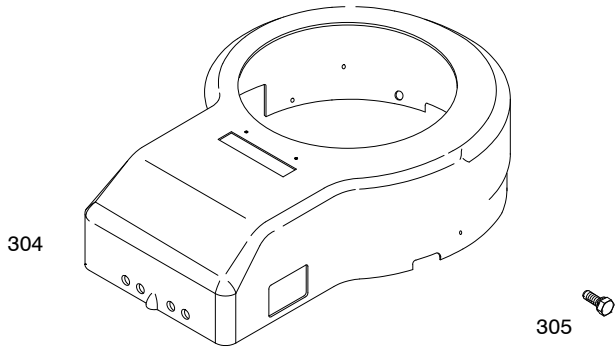


28N700

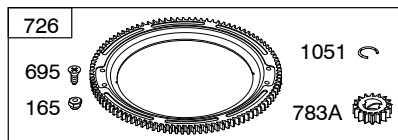
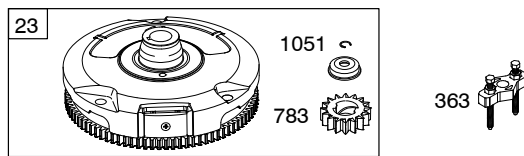
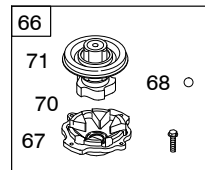
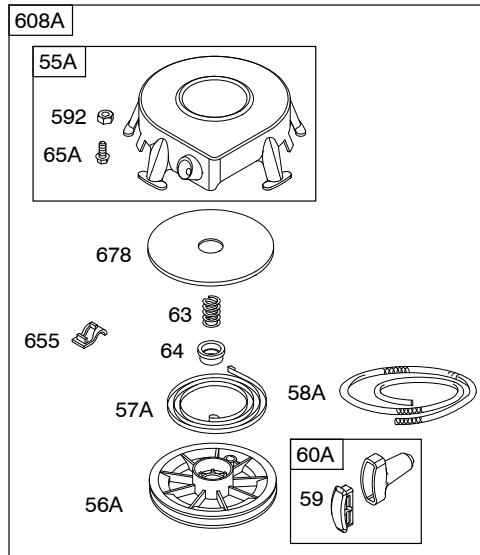
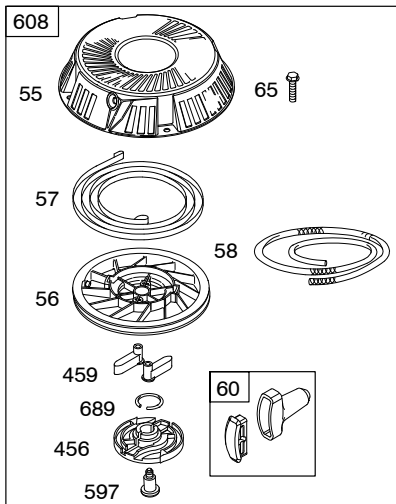
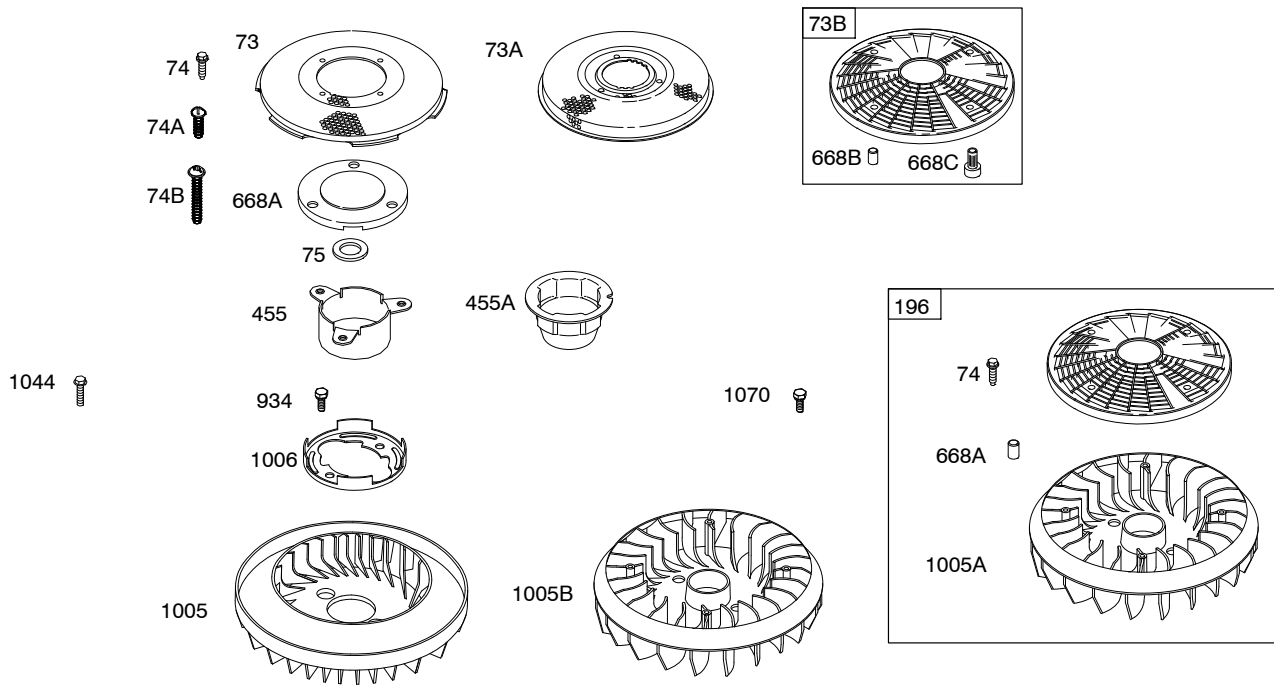


1019 LABEL KIT

1036 EMISSION LABEL

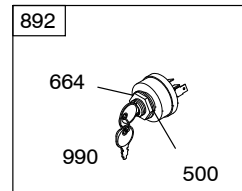
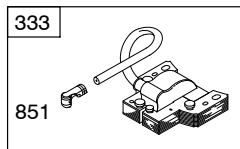
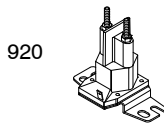
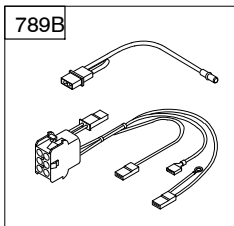
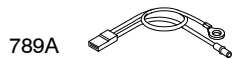
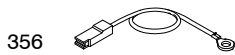


28N700

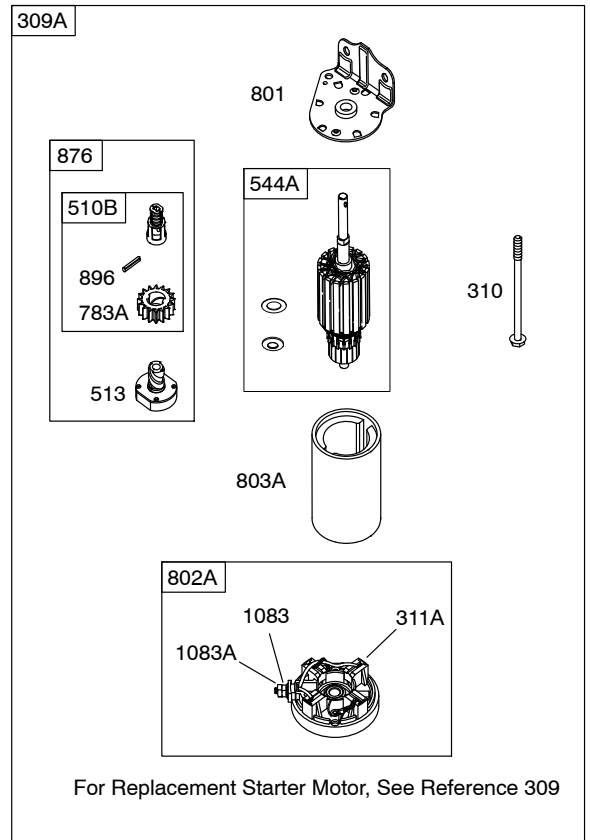
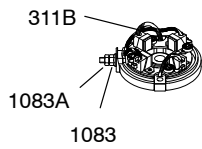
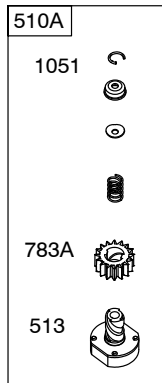
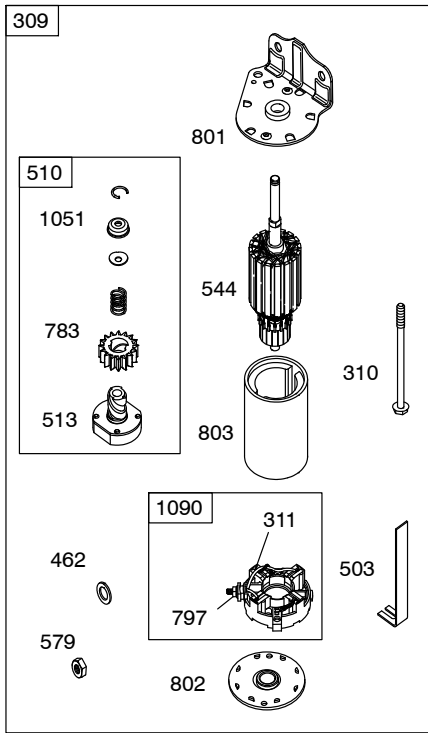


| | DC ONLY | DUAL CIRCUIT | TRI CIRCUIT | 10 /16 AMP | |
|------|---------|--------------|-------------|------------|-----|
| 493 | 474 | 474A | 474B | 474C | 813 |
| | 877A | 877 | 877B | 877C | |
| 493A | 1059 | 1059 | 1059 | 1059 | 526 |
| | 578 | 878 | 878A | 578 | 501 |

NOTE: ALL OLD STYLE STATORS USE
REFERENCE NUMBER 1119 MOUNTING SCREW



28N700



| REF. NO. | PART NO. | DESCRIPTION | REF. NO. | PART NO. | DESCRIPTION | REF. NO. | PART NO. | DESCRIPTION |
|----------|----------|--|----------|----------|--|----------|----------|---|
| 1 | 496412 | Cylinder Assembly | 16 | 690136 | Crankshaft (Used After Code Date 98063000). | | | ----- Note ----- 499284 Piston Assembly (Standard) (Used Before Code Date 01041900). |
| 2 | 399265 | Kit-Bushing/Seal (Magneto Side) | 16A | 693944 | Crankshaft (Used After Code Date 95073100). | | | 499292 Piston Assembly (.020" Oversize) (Used Before Code Date 01041900). |
| 3 | ★391086 | Seal-Oil (Magneto Side) | 16B | 693653 | Crankshaft (Used Before Code Date 95080100). | | | |
| 4 | 494238 | Sump-Engine | 20 | ★291675 | Seal-Oil (PTO Side) | | | |
| 4A | 693582 | Sump-Engine (Used After Code Date 98063000) Used on Type No(s). 1103, 1130, 1143, 1174, 1178, 1182, 1194. | 22 | 692125 | Screw (Crankcase Cover/Sump) | 26 | 696403 | Ring Set (Standard) (Used After Code Date 01041800). |
| 4B | 496742 | Sump-Engine (Used Before Code Date 98070100) Used on Type No(s). 0103, 0119, 0130, 0174, 0642, 0682, 1103, 1130, 1143, 1174, 1182. | 23 | 693557 | Flywheel (Steel Ring Gear) ----- Note ----- 693556 Flywheel (Steel Ring Gear) Used on Type No(s). 0036, 0109, 0111, 0114, 0127, 0129, 0138, 0139, 0140, 0142, 0181, 1036, 1109, 1129, 1132, 1138, 1144, 1145, 1181, 1196, 1204, 1205. | | | 696404 Ring Set (.010" Oversize) (Used After Code Date 01041800). |
| 5 | 698148 | Head-Cylinder | 24 | 222698 | Key-Flywheel | | | 696405 Ring Set (.020" Oversize) (Used After Code Date 01041800). |
| 7 | △★273280 | Gasket -Cylinder Head | 25 | 696397 | Piston Assembly (Standard) (Used After Code Date 01041800). | | | 696406 Ring Set (.030" Oversize) (Used After Code Date 01041800). |
| 8 | 696126 | Breather Assembly | | | | | | ----- Note ----- 495854 Ring Set (Standard) (Used Before Code Date 01041900). |
| 9 | ★27803 | Gasket-Breather | | | | | | 495851 Ring Set (.020" Oversize) (Used Before Code Date 01041900). |
| 10 | 691666 | Screw (Breather Assembly) | | | | | | 495855 Ring Set (.030" Oversize) (Used Before Code Date 01041900). |
| 11 | 691328 | Tube-Breather | | | | | | |
| 12 | ★692226 | Gasket-Crankcase (.015" Thick) (Standard) ----- Note ----- ★692406 Gasket-Crankcase (.005" Thick) ★692405 Gasket-Crankcase (.009" Thick) | | | | | | |
| 13 | 690360 | Screw (Cylinder Head) | | | | | | |
| 15 | 690946 | Plug-Oil Drain ----- Note ----- 691680 Plug-Oil Drain Used on Type No(s). 0137, 0166, 0642, 0666, 1118, 1143, 1166. | | | | | | |

★ Engine Gasket Set - Reference 358
● Carburetor Overhaul Kit - Reference 121

◆ Carburetor Gasket Set - Reference 977
Ø Valve Gasket Set - Reference 1095

28N700

| REF. NO. | PART NO. | DESCRIPTION | REF. NO. | PART NO. | DESCRIPTION | REF. NO. | PART NO. | DESCRIPTION |
|----------|----------|---|----------|----------|--|----------|----------|--|
| 27 | 691299 | Lock-Piston Pin (Used After Code Date 95101500). ----- Note ----- 691792 Lock-Piston Pin (Used Before Code Date 95101600). | 32 | 692852 | Screw (Connecting Rod) (1 5/8" Long) (Used After Code Date 98063000). ----- Note ----- 690356 Screw (Connecting Rod) (1 7/8" Long) (Used Before Code Date 98070100). | 51★◆ | 692137 | Gasket-Intake (Used After Code Date 97100500) |
| 28 | 498319 | Pin-Piston (Standard) (Used After Code Date 95101500). ----- Note ----- 299691 Pin-Piston (Standard) (Used Before Code Date 95101600). 498320 Pin-Piston (.005" Oversize) (Used After Code Date 95101500). 391286 Pin-Piston (.005" Oversize) (Used Before Code Date 95101600). | 32A | 690348 | Screw (Connecting Rod) (1 5/8" Long) (Used Before Code Date 98070100). | 51A | ★272569 | Gasket-Intake (Used Before Code Date 97100600). |
| 29 | 692419 | Rod-Connecting (Standard) (Used After Code Date 98063000). ----- Note ----- 494504 Rod-Connecting (Standard) (Used Before Code Date 98070100). 692420 Rod-Connecting (.020" Undersize) (Used After Code Date 98063000). 495490 Rod-Connecting (.020" Undersize) (Used Before Code Date 98070100). | 33 | 695760 | Valve-Exhaust | 51B★◆ | 692284 | Gasket-Intake |
| | | | 34 | 695761 | Valve-Intake | 53 | 690227 | Stud (Carburetor) |
| | | | 35 | 691279 | Spring-Valve (Intake) | 54 | 691148 | Screw (Intake Manifold) (Used After Code Date 97100500). |
| | | | 36 | 691279 | Spring-Valve (Exhaust) | 54A | 690953 | Screw (Intake Manifold) (Used Before Code Date 97100600). |
| | | | 37 | 690456 | Guard-Flywheel | 55 | 695130 | Housing-Rewind Starter |
| | | | 42 | 499586 | Keeper-Valve | 55A | 393576 | Housing-Rewind Starter |
| | | | 43 | 691968 | Slinger-Governor/Oil | 56 | 695129 | Pulley-Starter |
| | | | 45 | 690564 | Tappet-Valve | 56A | 295871 | Pulley-Starter |
| | | | 46 | 698492 | Camshaft (Used After Code Date 98063000). | 57 | 695131 | Spring-Rewind Starter |
| | | | 46A | 790340 | Camshaft (Used Before Code Date 98070100). Used on Type No(s). 0103, 0119, 0130, 0174, 0642. | 57A | 490179 | Spring-Rewind Starter |
| | | | 50 | 690193 | Manifold-Intake | 58 | 695132 | Rope-Starter (59" Long) |
| | | | 50A | 695527 | Manifold-Intake Used on Type No(s). 1118. | 58A | 695002 | Rope-Rewind Starter (99" Long) (Cut to Required Length) |
| | | | | | | 59 | 490653 | Insert-Grip |
| | | | | | | 60 | 494212 | Grip-Starter Rope |
| | | | | | | 60A | 490652 | Grip-Starter Rope |
| | | | | | | 63 | 690547 | Spring-Ratchet |
| | | | | | | 64 | 691920 | Adapter-Ratchet Spring |

★ Engine Gasket Set - Reference 358
● Carburetor Overhaul Kit - Reference 121

◆ Carburetor Gasket Set - Reference 977
∅ Valve Gasket Set - Reference 1095

| REF. NO. | PART NO. | DESCRIPTION | REF. NO. | PART NO. | DESCRIPTION | REF. NO. | PART NO. | DESCRIPTION |
|----------|----------|--|----------|----------|---|----------|----------|--|
| 65 | 690837 | Screw (Rewind Starter) | 95 | ●691636 | Screw (Throttle Valve) | 118 | 232116 | Jet-Main (High Altitude) (LMT 149, 150) |
| 65A | 695453 | Screw (Rewind Starter) | 95A | ●690718 | Screw (Throttle Valve) | | | ----- Note ----- |
| 66 | 399671 | Clutch-Starter | 98 | 495800 | Kit-Idle Speed | | | 692411 Jet-Main (High Altitude) |
| 67 | 394897 | Housing-Clutch | 98A | 695408 | Kit-Idle Speed | | | (LMT 153, 154, 155, 697481, 697482) |
| 68 | 691604 | Ball-Clutch | 104 | ●690525 | Pin-Float Hinge | | | 231850 Jet-Main (High Altitude) |
| 70 | 691945 | Ratchet-Clutch | 104A | ●694918 | Pin-Float Hinge | | | (LMT 33, 34, 73, 74, 76, 121, 122, 125, 126, 128, 129, 130, 132, 137, 138) |
| 71 | 691359 | Cover-Ratchet | 105 | ●231855 | Valve-Float Needle | | | |
| 73 | 691191 | Screen-Rotating | 105A | ●696136 | Valve-Float Needle | | | |
| 73A | 690492 | Screen-Rotating | 106 | ●690577 | Seat-Inlet (Gravity Feed) | | | |
| 73B | 494439 | Screen-Rotating | | | ----- Note ----- | | | |
| 74 | 691627 | Screw (Rotating Screen) | | | ●691780 Seat-Inlet (Pump Feed) | 118A | ●695416 | Jet-Main (High Altitude) |
| 74A | 691655 | Screw (Rotating Screen) | 108 | 690464 | Valve-Choke (Used on Manual Choke) | 121 | 690191 | Kit-Carburetor Overhaul (Used After Code Date 97100500). |
| 74B | 698425 | Screw (Rotating Screen) (Used After Code Date 00040200). | 108A | 692344 | Valve-Choke (Used on Choke A Matic) | | | ----- Note ----- |
| | | ----- Note ----- | 108B | 695419 | Valve-Choke | | | 499233 Kit-Carburetor Overhaul (Used After Code Date 96072500 and Before Code Date 97100600). |
| | | 691674 Screw (Rotating Screen) (Used Before Code Date 00040300). | 117 | 692408 | Jet-Main (Standard) (LMT 149, 150, 153, 154, 155 and 697481, 697482) | | | 498116 Kit-Carburetor Overhaul (Used Before Code Date 96072600). |
| 75 | 690582 | Washer (Flywheel) | | | ----- Note ----- | 121A | 695427 | Kit-Carburetor Overhaul |
| 78 | 690661 | Screw (Flywheel Guard) | | | ●697228 Jet-Main (Standard) (LMT 33, 34, 73, 74, 76, 121, 122, 125, 126, 128, 129, 130, 132, 137, 138) | | | |
| 81 | 691178 | Lock-Muffler Screw | | | 694352 Jet-Main (Standard) Used on Type No(s). 1194. | | | |
| 84 | 690343 | Plug-Breather | 117A | ●695415 | Jet-Main (Standard) | | | |
| 93 | ●690602 | Bushing-Throttle Shaft | | | | | | |
| 94 | 498030 | Kit-Idle Mixture (LMT 153, 154, 155 156) | | | | | | |
| | | ----- Note ----- | | | | | | |
| | | 496589 Kit-Idle Mixture (LMT 149, 150) | | | | | | |
| | | 498032 Kit-Idle Mixture (LMT 121, 122, 125, 129, 130, 137, 138) | | | | | | |
| 94A | 695425 | Kit-Idle Mixture | | | | | | |

★ Engine Gasket Set - Reference 358
● Carburetor Overhaul Kit - Reference 121

◆ Carburetor Gasket Set - Reference 977
Ø Valve Gasket Set - Reference 1095

28N700

| REF. NO. | PART NO. | DESCRIPTION | REF. NO. | PART NO. | DESCRIPTION | REF. NO. | PART NO. | DESCRIPTION |
|----------|----------|--|----------|----------|---|----------|----------|---|
| 125 | 698620 | Carburetor (Gravity Feed) ----- Note ----- 693773 Carburetor (Pump Feed) Used on Type No(s). 1194. 698782 Carburetor (Pump Feed) (LMT 153, 156 and 697480) (Used After Code Date 96022700). Used on Type No(s). 0112, 0117, 0122, 0127, 0138, 0141, 0142, 0189, 0612, 1117, 1122, 1138, 1141, 1142, 1144, 1145, 1189, 1192, 1201. | 142 | ●692412 | Nozzle-Carburetor (LMT 149, 150, 153, 154, 155, 156) ----- Note ----- ●231990 Nozzle- Carburetor (LMT 33, 34, 73, 74, 121, 122, 125, 126, 128, 129, 130, 132, 137, 138) | 209 | 692208 | Spring-Governor (Green) ----- Note ----- 690480 Spring- Governor (Red) Used on Type No(s). 0108, 0111, 0112, 0127, 0128, 0140, 0163, 0612, 1128. 691795 Spring- Governor (Yellow) Used on Type No(s). 0109, 0114, 0122, 0129, 0138, 0139, 0189, 1109, 1122, 1129, 1132, 1138, 1139, 1189, 1192, 1201, 1203, 1204. 260902 Spring- Governor Used on Type No(s). 1119. |
| 125A | | Carburetor (Nikki) (Service with Walbro Carburetor, Gravity Feed) | 146 | 691639 | Key-Timing | 216 | 691840 | Link-Choke |
| 127 | ●695005 | Plug-Welch | 147 | ●231985 | Jet-Pilot (LMT 73, 74, 121, 122, 125, 129, 130, 137, 138) ----- Note ----- ●497472 Jet-Pilot (LMT 33, 34) | 216A | 691281 | Link-Choke |
| 127A | ●694530 | Plug-Welch | 165 | 693148 | Nut (Ring Gear) | 217 | 695409 | Spring-Choke Return |
| 130 | 691750 | Valve-Throttle | 167 | 692297 | Seal-Air Cleaner Nut | 222 | 694042 | Bracket-Control |
| 130A | 695418 | Valve-Throttle | 176 | ★691917 | Seal-O Ring (Air Cleaner Base) | 222A | 694335 | Bracket-Control Used on Type No(s). 1194. |
| 131 | 494379 | Kit-Throttle Shaft | 185 | 690958 | Nut (Air Cleaner Base) | 227 | 691374 | Lever-Governor Control |
| 131A | 695421 | Kit-Throttle Shaft | 186 | 691609 | Connector-Hose (Breather Assembly) | 231 | ●691636 | Screw (Choke Valve) |
| 133 | 494381 | Float-Carburetor | 186A | 692317 | Connector-Hose (Carburetor) | 232 | 691842 | Spring-Governor Link |
| 133A | 694914 | Float-Carburetor | 187 | 691050 | Line-Fuel (Cut To Required Length) | 238 | 691843 | Cap-Valve |
| 135 | 696142 | Tube-Fuel Transfer | 187A | 699331 | Line-Fuel (Formed) (10.25" Long) (Cut to Required Length) ----- Note ----- 699332 Line-Fuel (Formed) (21" Long) (Cut to Required Length) | 239 | 694115 | Switch-Oil Pressure Used on Type No(s). 1194. |
| 137 | ●★281165 | Gasket-Float Bowl | 188 | 691693 | Screw (Control Bracket) | 240 | 298090 | Filter-Fuel (Red) ----- Note ----- 394358 Filter-Fuel (White) |
| 137A | ●★695426 | Gasket-Float Bowl | 192 | 691986 | Adjuster-Rocker Arm | 265 | 691024 | Clamp-Casing |
| 141 | 495097 | Kit-Choke Shaft (Manual Choke) ----- Note ----- 693769 Kit-Choke Shaft (Manual Choke) Used on Type No(s). 1194. | 196 | 695493 | Fan/Screen Assembly | 267 | 690804 | Screw (Casing Clamp) |
| 141A | 495931 | Kit-Choke Shaft (Choke A Matic) | 202 | 691841 | Link-Mechanical Governor | 268 | 691025 | Casing-Control Wire (Cut to Required Length) |
| 141B | 695420 | Kit-Choke Shaft | 203 | 691381 | Crank-Bell | | | |
| | | | 205 | 691693 | Screw (Bell Crank) | | | |

★ Engine Gasket Set - Reference 358
● Carburetor Overhaul Kit - Reference 121

◆ Carburetor Gasket Set - Reference 977
⊘ Valve Gasket Set - Reference 1095

| REF. NO. | PART NO. | DESCRIPTION | REF. NO. | PART NO. | DESCRIPTION | REF. NO. | PART NO. | DESCRIPTION |
|----------|----------|--|----------|----------|--|----------|----------|--|
| 269 | 691026 | Wire-Control (Cut to Required Length) | 309 | 693551 | Motor-Starter (3 5/8" Housing Length) (Steel Ring Gear Only) ----- Note ----- | 311 | 497608 | Brush Set |
| 270 | 691027 | Nut (Control Wire Casing) | | | | 311A | 395538 | Brush Set (3 5/8" Housing Length) |
| 271 | 691028 | Lever-Control | | | | 311B | 490311 | Brush Set (4 9/16" Housing Length) |
| 276 | ◆692255 | Washer-Sealing | | | | 333 | 492341 | Armature-Magneto |
| 276A | ◆695410 | Washer-Sealing | | | | 334 | 691061 | Screw (Magneto Armature) |
| 287 | 691002 | Screw (Dipstick Tube) | | | | 337 | 491055 | Plug-Spark |
| 300 | 495805 | Muffler | | | | 344 | 693675 | Screw (Cable Clamp) |
| 300A | 496022 | Muffler | | | | 346 | 690661 | Screw (Spark Arrestor) |
| 300B | 495882 | Muffler Used on Type No(s). 0115, 0130, 1115, 1130. | | | | 356 | 398808 | Wire-Stop Used on Type No(s). 1189, 1192, 1201. |
| 300C | 498984 | Muffler Used on Type No(s). 0122, 0189, 1122, 1189, 1192. | | | | 356A | 690807 | Wire-Stop |
| 304 | 691399 | Housing-Blower (Red) ----- Note ----- 690847 Housing- Blower (Black) Used on Type No(s). 0112, 0114, 0117, 0120, 0131, 0132, 0141, 0142, 0174, 0612, 0631, 0635, 1117, 1120, 1131, 1135, 1141, 1142, 1143, 1174, 1194. | | | | 357 | 691483 | Key-Drive Pulley |
| | | | | | | 358 | 691580 | Gasket Set-Engine (Used After Code Date 97100500). ----- Note ----- 495993 Gasket Set-Engine (Used Before Code Date 97100600). |
| | | | | | | 359 | 691077 | Washer (Ground Terminal) |
| 304A | 695065 | Housing-Blower (Black) ----- Note ----- 690844 Housing- Blower (Red) Used on Type No(s). 1118, 1119, 1178. | 309A | | Motor-Starter (For Replacement Starter Motor, order from Reference 309) | 363 | 19203 | Puller-Flywheel |
| | | | | | | 369 | 695422 | Spring-Float Bowl |
| | | | | | | 373 | 691612 | Nut (Ground Terminal) |
| | | | | | | 383 | 89838 | Wrench-Spark Plug |
| | | | | | | 385 | 691108 | Screw (Fuel Pump) |
| | | | | | | 387 | 808656 | Pump-Fuel |
| | | | | | | 404 | 691691 | Washer (Governor Crank) |
| 304B | 690846 | Housing-Blower (Black) Used on Type No(s). 0111, 1128. | 310 | 690323 | Screw (Starter Motor) (3 5/8" Housing Length) ----- Note ----- | 415 | 690283 | Plug (Oil Pressure Switch) |
| | | | | | | 445 | 496894 | Filter-Air Cleaner Cartridge |
| 305 | 691108 | Screw (Blower Housing) | | | | 455 | 691173 | Cup-Flywheel |
| 306 | 698454 | Shield-Cylinder | | | | 455A | 695113 | Cup-Flywheel Used on Type No(s). 1128. |
| 307 | 691003 | Screw (Cylinder Shield) | | | | | | |

★ Engine Gasket Set - Reference 358
● Carburetor Overhaul Kit - Reference 121

◆ Carburetor Gasket Set - Reference 977
⊘ Valve Gasket Set - Reference 1095

28N700

| REF. NO. | PART NO. | DESCRIPTION | REF. NO. | PART NO. | DESCRIPTION | REF. NO. | PART NO. | DESCRIPTION |
|----------|----------|--|----------|----------|---|----------|----------|--|
| 456 | 695128 | Plate-Pawl Friction | 544 | 692034 | Armature-Starter (3 5/8" Housing Length) | 633 | 695414 | Seal-Choke/Throttle Shaft |
| 459 | 281505 | Pawl-Ratchet | | | | 633A | ●690998 | Seal-Choke/Throttle Shaft |
| 462 | 691261 | Washer (Starter Cable) | 544A | 390837 | Armature-Starter (3 5/8" Housing Length) | 634 | ●690801 | Spring/Seal Assembly (Manual Choke) |
| 467 | 691668 | Knob-Air Cleaner | | | ----- Note ----- | 634A | ●690802 | Spring/Seal Assembly (Choke A Matic) |
| 474 | 696578 | Alternator (DC Only) | | | 490309 | 635 | 691909 | Boot-Spark Plug |
| 474A | 696459 | Alternator (Dual Circuit) | | | Armature-Starter (4 3/8" Housing Length) | 646 | 690460 | Brace-Air Cleaner |
| 474B | 696457 | Alternator (Tri Circuit) | 552 | 491986 | Bushing-Governor Crank | 654 | 690958 | Nut (Carburetor) |
| 474C | 696458 | Alternator (10/16 Amp) | 559 | 690661 | Screw (Remote Choke Stop) | 655 | 691734 | Anchor-Rewind Spring |
| 493 | 694475 | Bracket-Mounting (Regulator) | 562 | 691119 | Bolt (Governor Control Lever) | 664 | 691087 | Nut (Key Switch) |
| 493A | 691177 | Bracket-Mounting (Regulator) | 578 | 692306 | Wire Assembly Used on Type No(s). 0036, 0111, 0114, 0127, 0128, 1036, 1128, 1204. | 668 | 690510 | Spacer (Fuel Pump) |
| 500 | 691086 | Washer (Key Switch) | 579 | 691029 | Nut (Starter Cable) | 668A | 691323 | Spacer |
| 501 | 691188 | Regulator | 592 | 690800 | Nut (Rewind Starter) | 668B | 691215 | Spacer (Rotating Screen) |
| 503 | 691532 | Strap-Starter | 597 | 691696 | Screw (Pawl Friction Plate) | 668C | 691500 | Spacer (Rotating Screen) |
| 505 | 691251 | Nut (Governor Control Lever) | 601 | 95162 | Clamp-Hose | 676 | 393761 | Deflector-Muffler |
| 507 | 691972 | Insulator | 601A | 691038 | Clamp-Hose (Black) | 677 | 690661 | Screw (Muffler Deflector) |
| 510 | 693699 | Drive-Starter (Steel Ring Gear) | 607 | 690703 | Screw (Air Cleaner Brace) | 678 | 490817 | Spacer-Rewind |
| 510A | 696541 | Drive-Starter (Used With Aluminum and Plastic Ring Gears) | 607A | 691693 | Screw (Air Cleaner Brace) | 689 | 691855 | Spring-Friction |
| 510B | 656540 | Drive-Starter | 608 | 695058 | Starter-Rewind Used on Type No(s). 1128. | 691 | ★692407 | Seal-Governor Shaft |
| 513 | 692024 | Clutch-Drive | 608A | 390391 | Starter-Rewind | 692 | 690572 | Spring-Detent (LMT 155, 156 and 697482, 697483) |
| 520 | 691084 | Terminal-Ground | 613 | 691416 | Screw (Muffler) | | | ----- Note ----- 691301 Spring-Detent Used on Type No(s). 1194. |
| 521 | 690581 | Shield-Cable | 613A | 691678 | Screw (Muffler) | 695 | 693109 | Screw (Ring Gear) |
| 523 | 692014 | Dipstick | 614 | 691620 | Pin-Cotter | 697 | 690372 | Screw (Drive Cap) |
| 524 | ★281370 | Seal-Dipstick Tube | 615 | 93307 | Retainer-Governor Shaft | 697A | 691058 | Screw (Drive Cap) |
| 525 | 691398 | Tube-Dipstick | 616 | 692012 | Crank-Governor | 711 | 690703 | Screw (Carburetor Shield) |
| 526 | 694476 | Screw (Regulator) (Used After Code Date 99070500). ----- Note ----- 690326 Screw (Regulator) (Used Before Code Date 99070600). | 617 | ★692138 | Seal-O Ring (Intake Manifold) (Used After Code Date 97100500). | 718 | 690959 | Pin-Locating |
| | | | 628 | 690661 | Screw (Fuel Pump Bracket) | 725 | 690403 | Shield-Heat |
| | | | | | | 726 | 696537 | Gear-Ring (Aluminum) (Services Plastic Ring Gear Only) |

★ Engine Gasket Set - Reference 358
● Carburetor Overhaul Kit - Reference 121

◆ Carburetor Gasket Set - Reference 977
∅ Valve Gasket Set - Reference 1095

| REF. NO. | PART NO. | DESCRIPTION | REF. NO. | PART NO. | DESCRIPTION | REF. NO. | PART NO. | DESCRIPTION |
|----------|----------|---|----------|----------|---|----------|----------|---|
| 727 | 490324 | Cover–Starter Drive | 797 | 693167 | Nut (Brush Retainer) | 878 | 691237 | Harness–Alternator (Used Before Code Date 01090400). |
| 729 | 691335 | Clip–Wire (Fuel Solenoid) | 801 | 691283 | Cap–Drive | 878A | 691955 | Harness–Alternator |
| 729A | 224723 | Clip–Wire (Starter) | 802 | 691286 | Cap–End | 883 | ★692236 | Gasket–Exhaust |
| 732 | 691002 | Screw (Starter Drive Cover) | 802A | 395537 | Cap–End (3 5/8" Housing Length) | 892 | 692318 | Switch–Key |
| 733 | 691658 | Screw (Crankshaft Extension) | 803 | 693757 | Housing–Starter (3 5/8" Housing Length) | 896 | 691641 | Pin–Drive Retainer |
| 737 | 691118 | Screw (Oil Filter Adapter) | | | | 914 | 691108 | Screw (Rocker Cover) |
| 741 | 691284 | Gear–Timing | | | | 918 | 393815 | Hose–Vacuum (Cut To Required Length) |
| 750 | 691033 | Screw (Oil Pump Cover) (Used After Code Date 98063000). Used on Type No(s). 1103, 1130, 1143, 1174, 1178, 1182, 1194. | 803A | 398159 | Housing–Starter (3 5/8" Housing Length) | 920 | 691656 | Solenoid–Starter |
| 750A | 692198 | Screw (Oil Pump Cover) (Used Before Code Date 98070100). Used on Type No(s). 0103, 0119, 0130, 0174, 0182, 0642, 0682, 1130, 1143, 1174, 1182. | | | | 934 | 691058 | Screw (Fan Retainer) |
| 757 | 691714 | Link–Counterweight | | | | 943 | 690589 | Seal–O Ring (Oil Pump Cover) (Used After Code Date 98063000). Used on Type No(s). 1103, 1130, 1143, 1174, 1178, 1182, 1194. |
| 758 | 692423 | Counterweight | | | | | | |
| 759 | 691239 | Pin–Counterweight | | | | 943A | ★690604 | Seal–O Ring (Oil Pump Cover) (Used Before Code Date 98070100). Used on Type No(s). 0103, 0119, 0130, 0174, 0182, 0642, 0682, 1130, 1143, 1174, 1182. |
| 761 | 691096 | Screw (Counterweight) | 810 | 691779 | Extension–Crankshaft | 947 | 692734 | Solenoid–Fuel |
| 783 | 693713 | Gear–Pinion (Steel Ring Gear) | 813 | 690635 | Clamp | 947A | 695423 | Solenoid–Fuel |
| 783A | 695708 | Gear–Pinion (Aluminum and Plastic Ring Gears) | 819 | 690297 | Screw (Muffler Bracket) | 947B | 497672 | Solenoid–Fuel (Choke A Matic) |
| 788 | 690458 | Bracket–Fuel Pump | 823 | 698941 | Screw (Muffler Adapter) | | | |
| 789 | 692037 | Harness–Wiring (Fuel Solenoid) | 830 | 691095 | Stud–Rocker Arm | | | |
| 789A | 693000 | Harness–Wiring Used on Type No(s). 0189, 1189, 1192, 1201. | 842 | ★691870 | Seal–O Ring (Dipstick Tube) | | | |
| 789B | 698329 | Harness–Wiring Used on Type No(s). 1204, 1205. | 847 | 496415 | Dipstick/Tube Assembly | | | |
| | | | 851 | 692424 | Terminal–Spark Plug | | | |
| | | | 863 | 691204 | Bracket–Muffler Used on Type No(s). 1142, 1144. | | | |
| | | | 864 | 697346 | Adapter–Muffler | | | |
| | | | 868 | Δ★690968 | Seal–Valve | | | |
| | | | 875 | 696129 | Base–Air Cleaner | | | |
| | | | 876 | 696539 | Kit–Pinion Spring | | | |
| | | | 877 | 393456 | Wire/Connector– Alternator (Dual Circuit) | | | |
| | | | 877A | 393814 | Wire/Connector Alternator (DC Only) | | | |
| | | | 877B | 393537 | Wire/Connector– Alternator (Tri Circuit) | | | |
| | | | 877C | 399916 | Wire/Connector– Alternator (10/16 Amp) | | | |

★ Engine Gasket Set – Reference 358
● Carburetor Overhaul Kit – Reference 121

◆ Carburetor Gasket Set – Reference 977
⊘ Valve Gasket Set – Reference 1095

28N700

| REF. NO. | PART NO. | DESCRIPTION | REF. NO. | PART NO. | DESCRIPTION | REF. NO. | PART NO. | DESCRIPTION |
|----------|----------|---|----------|----------|---|----------|----------|---|
| 958 | 698183 | Valve-Fuel Shut Off | 996 | 690678 | Shield-Carburetor | 1036 | 695700 | Label-Emissions |
| 965 | 496745 | Cover-Oil Pump Used on Type No(s). 0103, 0119, 0130, 0174, 0182, 0642, 0682, 1130, 1143, 1174, 1182. | 1005 | 691905 | Fan-Flywheel | | | (Used After Code Date 00063000). |
| 965A | 499613 | Cover-Oil Pump Used on Type No(s). 1103, 1130, 1143, 1174, 1178, 1182, 1194. | 1005A | 697853 | Fan-Flywheel Used on Type No(s). 1173. | | | ----- Note ----- 694997 Label- |
| 967 | 272403 | Filter-Pre Cleaner | 1005B | 695056 | Fan-Flywheel | | | Emissions |
| 968 | 691332 | Cover-Air Cleaner | 1006 | 690452 | Retainer-Fan | | | (Used After Code Date 99093000 and Before Code Date 00070100). |
| 968A | 691916 | Cover-Air Cleaner Used on Type No(s). 0111, 0127, 0128, 1118, 1119, 1128, 1178. | 1017 | 690770 | Screen-Oil Pump (Used After Code Date 98063000) Used on Type No(s). 1103, 1130, 1143, 1174, 1182, 1194. | | | 694318 Label- |
| 971 | 692129 | Screw (Air Cleaner Base to Carburetor) (Used After Code Date 97100500). | 1017A | 691216 | Screen-Oil Pump | | | Emissions |
| | | ----- Note ----- 690810 Screw (Air Cleaner Base to Carburetor) (Used Before Code Date 97100600). | 1019 | 496758 | Kit-Label | | | (Used After Code Date 98123100 and Before Code Date 99100100). |
| 975 | 495933 | Bowl-Float | 1022 | Δ★272475 | Gasket-Rocker Cover | | | 499364 Label- |
| 975A | 695417 | Bowl-Float | 1023 | 691192 | Cover-Rocker Arm | | | Emissions |
| 977 | 690192 | Gasket Set-Carburetor | 1024 | 499054 | Pump-Oil (Used After Code Date 98063000). Used on Type No(s). 1103, 1130, 1143, 1174, 1178, 1182, 1194. | | | (Used After Code Date 97063000 and Before Code Date 99010100). |
| 977A | 695428 | Gasket Set-Carburetor | 1024A | 493884 | Pump-Oil (Used Before Code Date 98070100). Used on Type No(s). 0103, 0119, 0130, 0174, 0182, 0642, 0682, 1130, 1143, 1174, 1182. | | | 499363 Label- |
| 987 | ●691326 | Seal-Throttle Shaft | 1026 | 692003 | Push Rod (Intake) | | | Emissions |
| 987A | ●698777 | Seal-Throttle Shaft | | | ----- Note ----- 692011 Rod-Push (Exhaust) | | | (Used Before Code Date 97070100). |
| 988 | ★691317 | Gasket-Oil Adapter | 1027 | 492932 | Filter-Oil | | | 1044 698139 Screw (Flywheel) |
| 990 | 691959 | Key Set | 1028 | 496744 | Adapter-Oil Filter | | | 1051 691265 Ring-Retaining |
| 994 | 392390 | Arrestor-Spark | 1029 | 691751 | Arm-Rocker | | | 1055 690528 Tube-Oil Pump |
| | | | 1032 | 491710 | Ball-Oil Pump | | | 1058 275935 Operator's Manual |
| | | | 1034 | 690822 | Guide-Push Rod | | | 1059 698516 Kit-Screw/Washer (Alternator) |
| | | | 1035 | 693784 | Shaft-Pump | | | 1070 690372 Screw (Flywheel Fan) |
| | | | | | | | | 1083 690958 Nut (End Cap) (Serrated) |
| | | | | | | | | 1083A 691626 Nut (End Cap) |
| | | | | | | | | 1090 691293 Retainer-Brush |
| | | | | | | | | 1091 691333 Cap-Limiter |
| | | | | | | | | 1095 691581 Gasket Set-Valve (Used After Code Date 97100500). |
| | | | | | | | | ----- Note ----- 495992 Gasket Set-Valve (Used Before Code Date 97100600) |
| | | | | | | | | 1119 691183 Screw (Alternator) |
| | | | | | | | | 1127 695407 Screw (Float Bowl) |
| | | | | | | | | 1330 272147 Repair Manual |

★ Engine Gasket Set - Reference 358
● Carburetor Overhaul Kit - Reference 121

◆ Carburetor Gasket Set - Reference 977
∅ Valve Gasket Set - Reference 1095