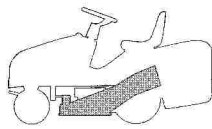
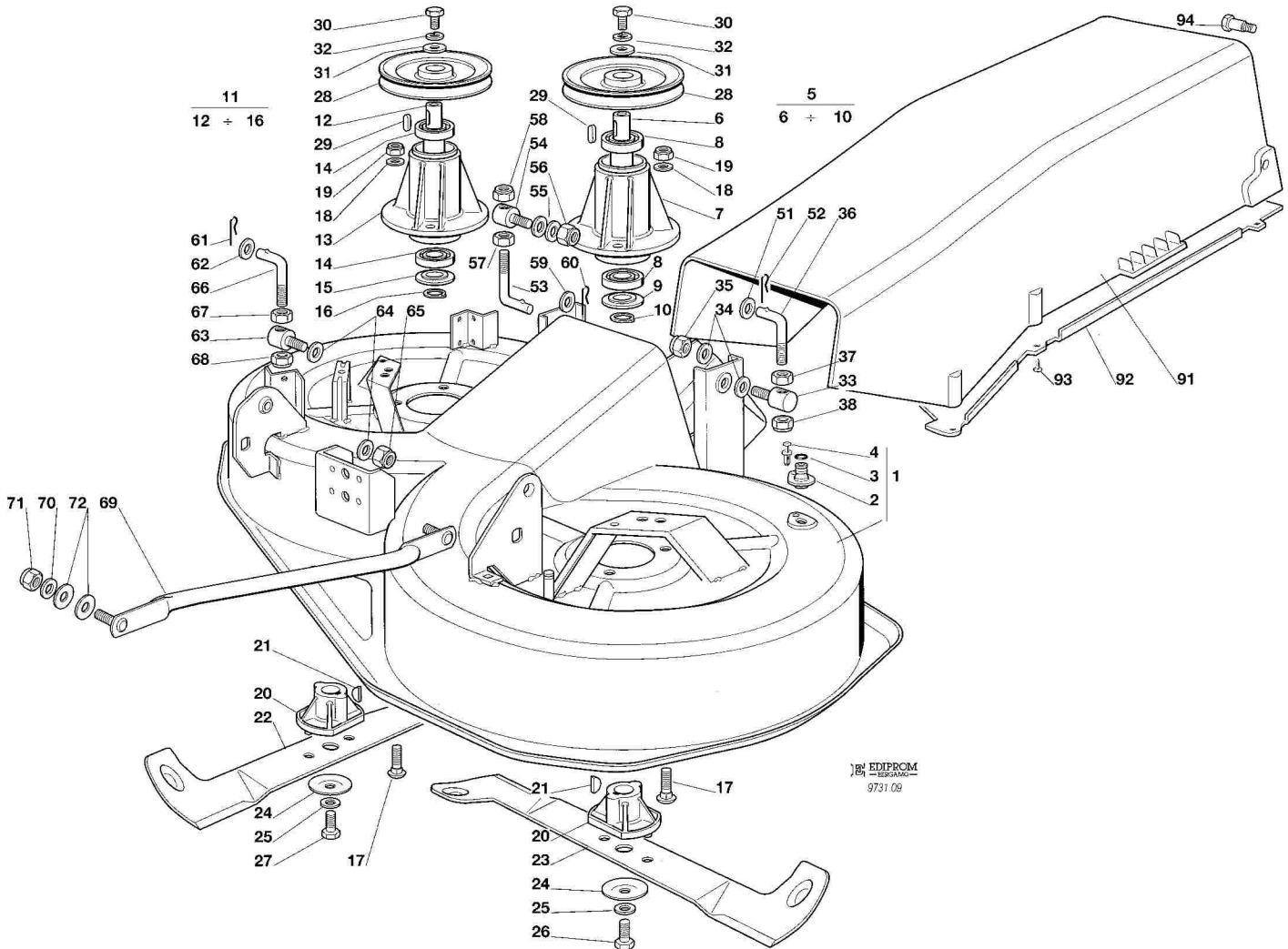


J92	JP92	JT92
J92 hy.	JP92 hy.	JT92 hy.



PIATTO DI TAGLIO (2)
CUTTING PLATE (2)
PLATEAU DE COUPE (2)
SCHNEIDWERKZEUG (2)

1999
009.0
1 / 2



EDIPROM
 9731.09

N.	CODE	Q.TY	DESCRIZIONE	DESCRIPTION	DESCRIPTION	BESCHREIBUNG
1	82564034/1	1	PIATTO	PLATE	PLATEAU	SCHNEID
2	25033060/0	2	ATTACCO	WATER HOSE CONNECTION	RACCORD TUYAU D'EAU	WASSERANSCHLUSS
3	19035000/0	2	ANELLO OR	O RING	O RING	O RING
4	12500030/0	2	RIVETTO	RIVET	RIVET	NIET
5	82207202/0	1	ASS. FLANGIA SINISTRA (6÷10)	LEFT FLANGE ASS.Y (6÷10)	ENS. BRIDE GAUCHE (6÷10)	LINKE NABE, KOMPLETT (6÷10)
6	25020802/0	1	ALBERO	SHAFT	ARBRE	WELLE
7	25207200/0	1	FLANGIA	FLANGE	BRIDE	FLANSCH
8	19216032/0	2	CUSCINETTO	BEARING	ROULEMENT	KUGELLAGER
9	25160501/0	1	DISCO PARAPOLVERE	DUST COVER	PROTEGE-POUSSIERE	STAUBSCHUTTSCHIBE
10	12609260/0	1	SEEGER	SEEGER	SEEGER	SEEGER
11	82207203/0	1	ASS. FLANGIA DESTRA (12÷16)	RIGHT FLANGE ASS.Y (12÷16)	ENS. BRIDE DROITE (12÷16)	RECHTE NABE, KOMPLETT (12÷16)
12	25020803/0	1	ALBERO	SHAFT	ARBRE	WELLE
13	25207200/0	1	FLANGIA	FLANGE	BRIDE	FLANSCH
14	19216032/0	2	CUSCINETTO	BEARING	ROULEMENT	KUGELLAGER
15	25160501/0	1	DISCO PARAPOLVERE	DUST COVER	PROTEGE-POUSSIERE	STAUBSCHUTTSCHIBE
16	12609260/0	1	SEEGER	SEEGER	SEEGER	SEEGER
17	12818700/0	6	VITE	SCREW	VIS	SCHRAUBE
18	12521350/0	6	RONDELLA	WASHER	RONDELLE	SCHEIBE
19	12155000/0	6	DADO	NUT	ECROU	MUTTER
20	25463200/0	2	MOZZO COLTELLO	BLADE HUB	MOYEU LAME	MESSERHALTER
21	12139100/0	2	LINGUETTA	KEY	CLAVETTE	KEIL
22	82004345/0	1	COLTELLO DESTRO	RIGHT BLADE	LAME DROITE	RECHTER MESSER
23	82004344/0	1	COLTELLO SINISTRO	LEFT BLADE	LAME GAUCHE	LINKER MESSER
24	22160400/0	2	DISCO PARAPOLVERE	DUST COVER	PROTEGE-POUSSIERE	STAUBSCHUTTSCHIBE
25	12523080/0	2	RONDELLA	WASHER	RONDELLE	SCHEIBE
26	12735694/0	1	VITE	SCREW	VIS	SCHRAUBE
27	12735695/1	1	VITE	SCREW	VIS	SCHRAUBE
28	25601563/0	2	PULLEGGIA	PULLEY	POULIE	RIEMENSCHIBE
29	12139480/0	2	CHIAVETTA	KEY	CLAVETTE	KEIL

