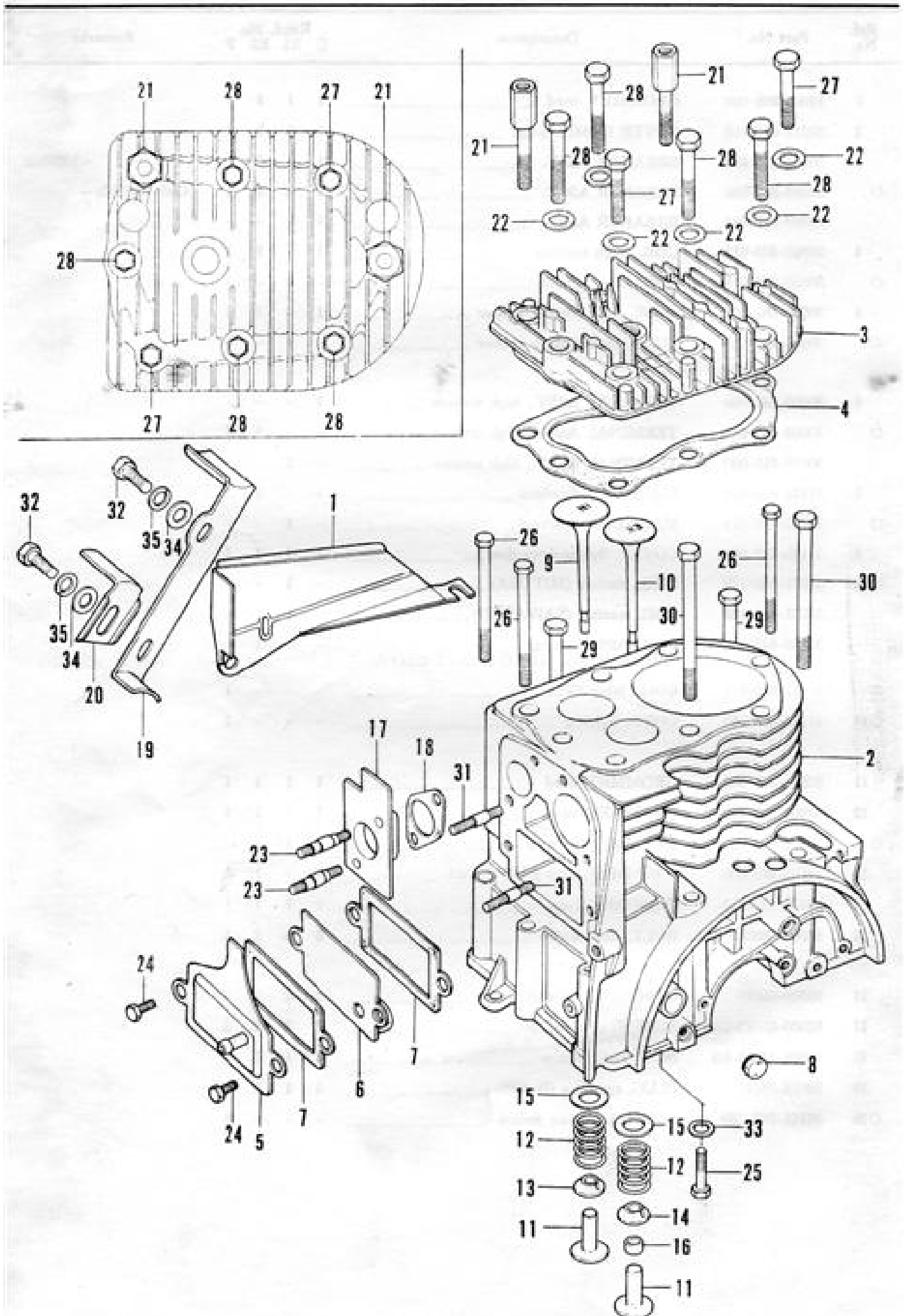


## G-8 Magneto

Ref. No.	Part No.	Description	Reqd. No.				Remarks
			G	E1	E2	F	
1	19905-865-000	GROMMET, cord .....	1	1	1	1	
2	30210-822-010	COVER COMP., point .....	1	1	1	1	
3	30280-822-030	BREAKER ASSY. ....	1	-	1	1	~1007000
○	30280-822-030	BREAKER ASSY. ....	1	-	1	1	G42-1007001~
	30280-815-024	BREAKER ASSY. ....	-	1	-	-	
4	30560-822-013	COIL, high tension .....	1	-	1	1	
○	30560-822-014	COIL, high tension .....	-	1	-	-	
5	30565-865-000	TUBE, high tension rubber .....	1	-	1	1	
○	30565-865-650	TUBE, high tension rubber .....	-	1	-	-	
6	30600-841-000	TERMINAL ASSY., high tension .....	1	-	-	-	
○	30600-805-641	TERMINAL ASSY., high tension .....	-	-	1	1	
	30600-815-030	TERMINAL ASSY., high tension .....	-	1	-	-	
7	31121-822-030	MAGNETO, flywheel .....	1	-	1	1	
○	31121-822-014	MAGNETO, flywheel .....	-	1	-	-	
8	31125-822-000	COVER, flywheel window .....	1	1	1	1	
○ 9	31521-815-179	COIL, exciter (MITUBA) .....	-	1	-	-	
	31521-815-188	COIL, exciter (SAWAFUJI) .....	-	1	-	-	
	31160-842-158	COIL ASSY., charge (Used on type G42ED-D and G42ED-A)	-	-	1	-	
○	31511-822-811	COIL, lamp 6V .....	-	-	-	1	
○10	31512-865-780	CORD, lighting .....	-	-	-	1	
11	32951-705-000	GROMMET, cord .....	1	1	1	1	
12	32952-805-020	GROMMET, cord .....	1	-	1	1	
○	36152-805-640	GROMMET B, cord .....	-	1	-	-	
13	36153-865-000	GROMMET, high tension cord .....	1	-	1	1	
14	90408-822-010	WASHER, 14 mm .....	1	1	1	1	
15	92000-06028	BOLT, hex., 6×28 .....	2	4	2	4	
16	93500-05010	SCREW, pan, 5×10 .....	2	2	2	2	
17	93500-05010-0A	SCREW, pan, 5×10 .....	2	2	2	2	
18	94001-14000-0S	NUT, hex., 14 mm .....	1	1	1	1	
19	98076-56741	PLUG, sparking (B-6HS) .....	1	1	1	1	
○20	36151-865-780	CORD A, engine switch .....	-	-	-	1	

# G-9 Cylinder Barrel

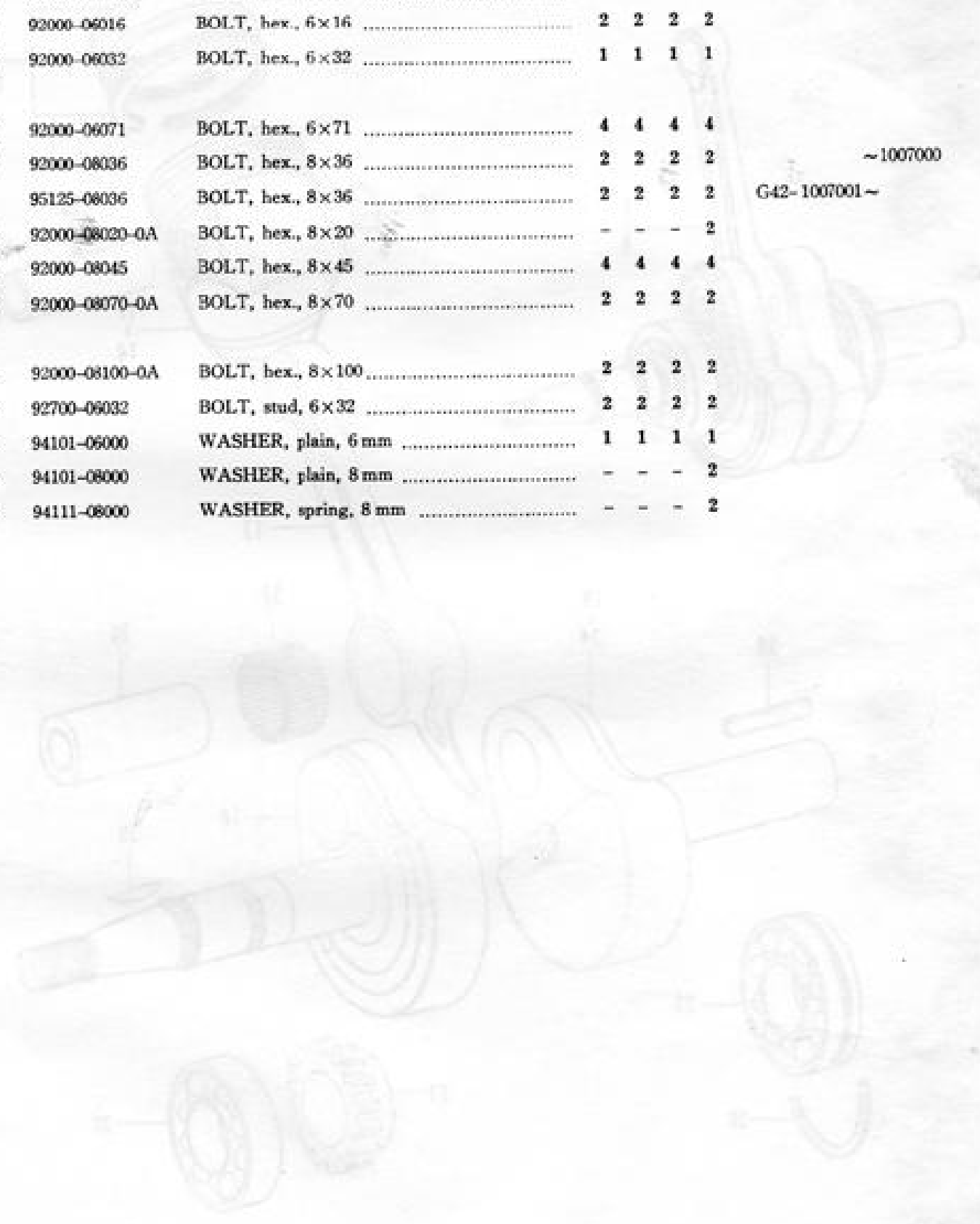


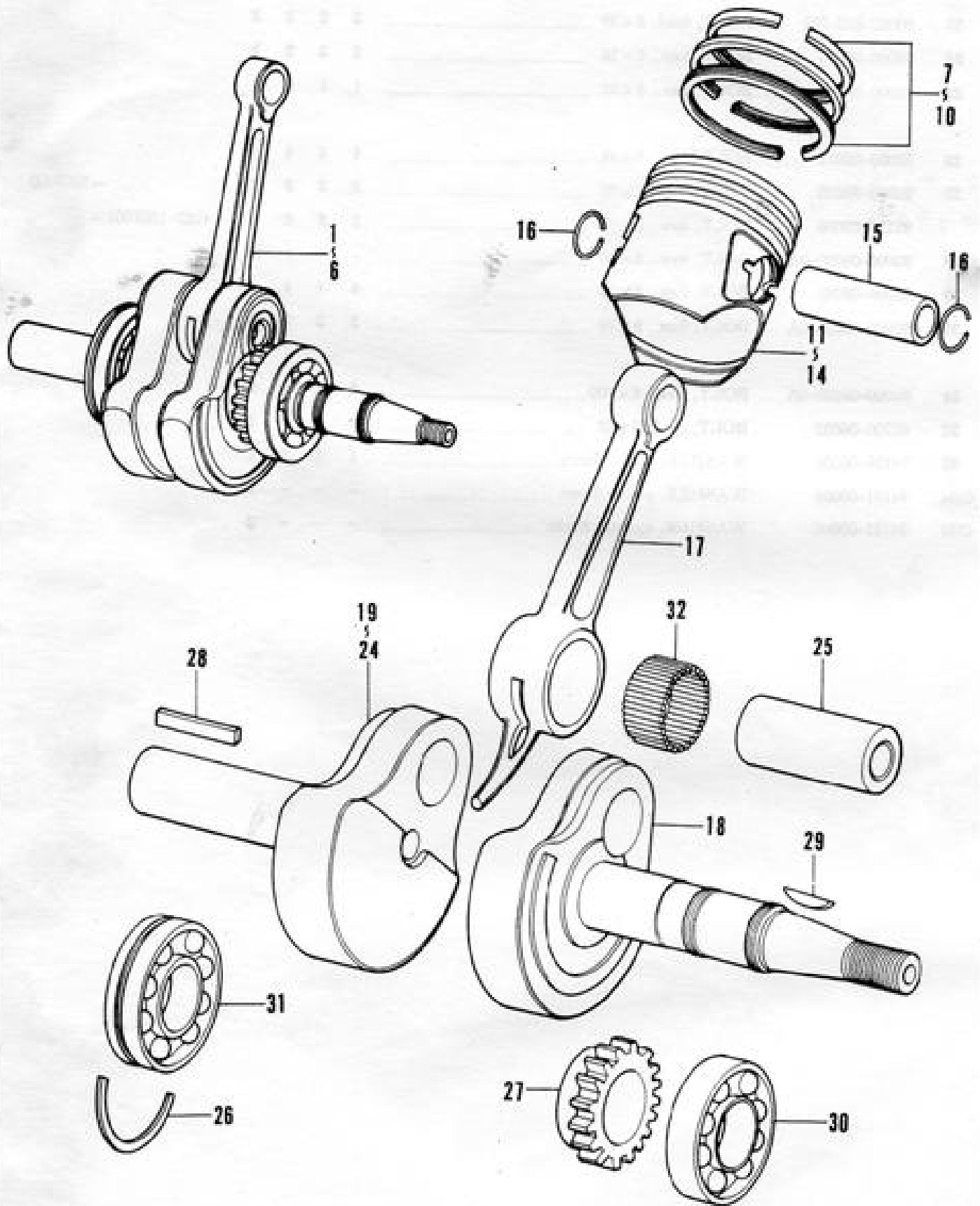
## G-9 Cylinder Barrel

Ref. No.	Part No.	Description	Reqd. No.				Remarks
			G	E1	E2	F	
○ 1	11901-704-000	PLATE, bottom guide.....	-	-	-	1	
2	12100-865-000	BARREL COMP., cylinder (Except G42P, G42Q, G42U, G42V and G42QT)	1	1	1	-	~1007000
	12100-865-010	(Superseded by 12100-865-020).....	1	1	1	1	G42-1007001~1010001
	12100-865-020	BARREL COMP., cylinder (Except G42P, G42Q, G42U, G42V and G42QT)	1	1	1	1	G42-1010002~
	12100-865-690	BARREL COMP., cylinder (Used on type G42P, G42Q, G42U, G42V and G42QT)	1	-	-	-	
	12100-865-691	BARREL COMP., cylinder .....	1	-	-	-	
3	12201-841-000	HEAD, cylinder .....	1	-	1	1	
	12201-822-000	HEAD, cylinder .....	-	1	-	-	
4	12251-822-000	GASKET, cylinder head .....	1	1	1	1	
5	12361-822-000	COVER, tappet.....	1	1	1	1	
6	12370-843-000	SEPARATOR, oil.....	1	1	1	1	
7	12372-822-000	PACKING, breather case .....	2	2	2	2	
8	14214-822-000	PLUG, cam shaft sealing .....	1	1	1	1	
9	14711-822-010	VALVE, inlet.....	1	1	1	1	
10	14721-822-020	VALVE, exhaust .....	1	1	1	1	
11	14731-822-000	LIFTER, valve .....	2	2	2	2	
12	14751-822-000	SPRING, valve .....	2	2	2	2	
13	14771-805-000	RETAINER, valve spring (Inlet side) .....	1	1	1	1	
14	14771-822-030	RETAINER, valve (Exhaust side) .....	1	1	1	1	
15	14775-822-010	SEAT, valve spring.....	2	2	2	2	
16	14777-822-405	ADJUSTER, tappet clearance (5.2~5.3) .....	(1)	(1)	(1)	(1)	
	14777-822-415	ADJUSTER, tappet clearance (5.5~5.6) .....	(1)	(1)	(1)	(1)	
	14777-822-425	ADJUSTER, tappet clearance (5.9~6.0) .....	(1)	(1)	(1)	(1)	
17	16211-822-010	INSULATOR, carburetor .....	1	1	1	-	
○	16211-865-780	INSULATOR, carburetor .....	-	-	-	1	
18	16229-822-010	PACKING, carburetor insulator .....	1	1	1	1	
○19	22441-719-010	STOPPER A, belt .....	-	-	-	1	
○20	22442-719-000	STOPPER B, belt .....	-	-	-	1	

## G-9 Cylinder Barrel

Ref. No.	Part No.	Description	Reqd. No.				Remarks
			G	E1	E2	F	
21	90001-822-000	BOLT, cylinder head clamp .....	2	2	2	2	
22	90402-822-000	WASHER, head, 8 mm .....	8	8	8	8	
23	90062-822-701	BOLT, stud, 8×39 .....	2	2	2	2	
24	92000-06016	BOLT, hex., 6×16 .....	2	2	2	2	
25	92000-06032	BOLT, hex., 6×32 .....	1	1	1	1	
26	92000-06071	BOLT, hex., 6×71 .....	4	4	4	4	
27	92000-08036	BOLT, hex., 8×36 .....	2	2	2	2	~1007000
	95125-08036	BOLT, hex., 8×36 .....	2	2	2	2	G42-1007001~
○28	92000-08020-0A	BOLT, hex., 8×20 .....	-	-	-	2	
29	92000-08045	BOLT, hex., 8×45 .....	4	4	4	4	
30	92000-08070-0A	BOLT, hex., 8×70 .....	2	2	2	2	
31	92000-08100-0A	BOLT, hex., 8×100 .....	2	2	2	2	
32	92700-06032	BOLT, stud, 6×32 .....	2	2	2	2	
33	94101-06000	WASHER, plain, 6 mm .....	1	1	1	1	
○34	94101-08000	WASHER, plain, 8 mm .....	-	-	-	2	
○35	94111-08000	WASHER, spring, 8 mm .....	-	-	-	2	

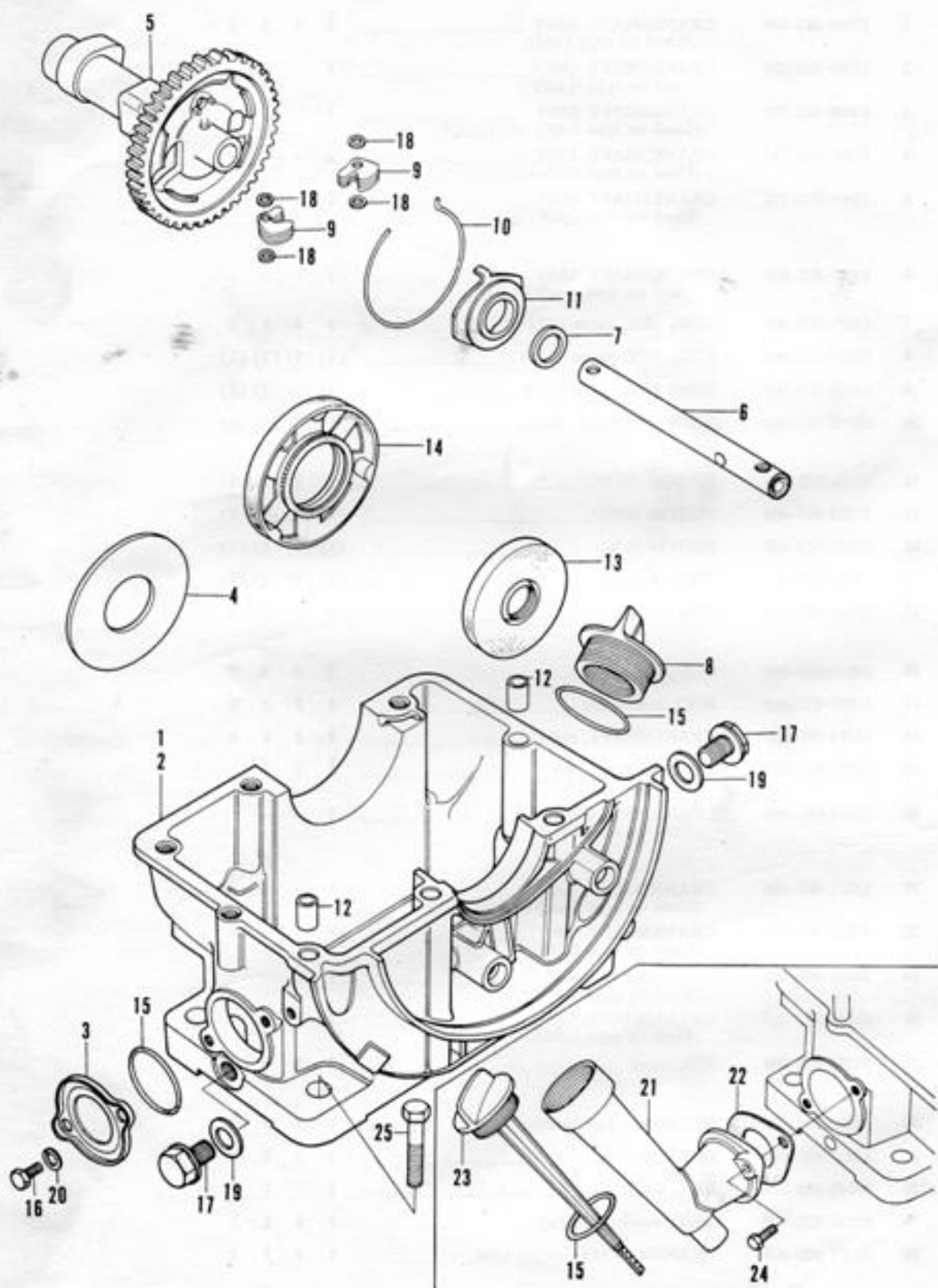




## G-10 Crankshaft

Ref. No.	Part No.	Description	Reqd. No.				Remarks
			G	E1	E2	F	
1	13000-822-030	CRANKSHAFT ASSY. .... (*Used on type G42D)	1	1	1	1	
2	13000-822-691	CRANKSHAFT ASSY. .... (Used on type G42P)	1	-	-	-	
3	13000-822-701	CRANKSHAFT ASSY. .... (Used on type G42Q and G42QT)	1	-	-	-	
4	13000-822-711	CRANKSHAFT ASSY. .... (Used on type G42U)	1	-	-	-	
5	13000-822-721	CRANKSHAFT ASSY. .... (Used on type G42V)	1	-	-	-	
6	13000-822-631	CRANKSHAFT ASSY. .... (Used on type G42HD)	1	-	-	-	
7	13011-805-000	RING SET, siston (STD.) .....	1	1	1	1	
8	13021-805-000	RING SET, piston (0.25) .....	(1)	(1)	(1)	(1)	
9	13031-805-000	RING SET, piston (0.50) .....	(1)	(1)	(1)	(1)	
10	13041-805-000	RING SET, piston (0.75) .....	(1)	(1)	(1)	(1)	
11	13101-822-000	PISTON (STD.) .....	1	1	1	1	
12	13102-822-000	PISTON (0.25) .....	(1)	(1)	(1)	(1)	
13	13103-822-000	PISTON (0.50) .....	(1)	(1)	(1)	(1)	
14	13104-822-000	PISTON (0.75) .....	(1)	(1)	(1)	(1)	
15	13111-805-000	PIN, piston .....	1	1	1	1	
16	13115-805-000	CLIP, piston pin .....	2	2	2	2	
17	13201-822-000	ROD, connecting .....	1	1	1	1	
18	13311-822-020	CRANKSHAFT, right .....	1	1	1	1	
19	13321-805-020	CRANKSHAFT, left .....	1	1	1	1	
		(*Used on type G42D)					
20	13321-807-680	CRANKSHAFT, left .....	1	-	-	-	
		(Used on type G42?)					
21	13321-807-690	CRANKSHAFT, left .....	1	-	-	-	
		(Used on type G42Q and G42QT)					
22	13321-807-700	CRANKSHAFT, left .....	1	-	-	-	
		(Used on type G42U)					
23	13321-807-710	CRANKSHAFT, left .....	1	-	-	-	
		(Used on type G42V)					
24	13321-807-730	CRANKSHAFT, left .....	1	-	-	-	
		(Used on type G42HD)					
25	13381-822-000	PIN, crank .....	1	1	1	1	
26	13491-701-000	SET-RING, ball bearing .....	1	1	1	1	
27	14311-822-000	GEAR, timing .....	1	1	1	1	
28	90741-805-000	KEY, 7×7×33 .....	1	-	1	1	
29	90743-822-010	KEY, woodruff 16×12 .....	1	1	1	1	
30	91001-822-000	BEARING BALL, radial, 6304, .....	1	1	1	1	
31	91002-805-000	BEARING BALL, radial, 6206SHS .....	1	1	1	1	
32	91101-805-000	ROLLER, rod, 2.48×18.8 .....	36	36	36	36	

# G-11 Camshaft · Oil Pan



## G-11 Camshaft · Oil Pan

Ref. No.	Part No.	Description	Reqd. No.				Remarks
			G	E1	E2	F	
1	11200-865-000	PAN, oil ..... (*Used on type G42D, G42RD, G42CD and G42HD)	1	1	1	1	
2	11200-865-690	PAN, oil ..... (Used on type G42P, G42Q, G42U, G42V and G42QT)	1	-	-	-	
3	11210-822-010	COVER, oil pan hole .....	1	-	1	1	
4	11951-807-680	PLATE, attachment guide ..... (Used on type G42P, G42Q, G42U, G42V and G42QT)	1	-	-	-	
5	14101-822-020	CAM, shaft .....	1	1	1	1	
6	14210-822-020	CENTER COMP., camshaft .....	1	1	1	1	
7	14213-822-000	COLLAR, camshaft .....	1	1	1	1	
8	15611-921-000	CAP, oil .....	1	1	1	1	
9	16511-805-000	WEIGHT, governor .....	8	8	8	8	
10	16515-805-000	CENTER, governor weight .....	1	1	1	1	
11	16521-822-010	SLIDER, governor .....	1	1	1	1	
12	90701-200-000	PIN, knock, 8.5×11 .....	2	2	2	2	
13	91201-822-003	OIL-SEAL, PJ20528 .....	1	1	1	1	
14	91204-805-000	OIL-SEAL, PJ306510 .....	1	1	1	1	
15	91301-805-000	O-RING, 26×2.7 .....	2	2	2	2	
16	92000-06012	BOLT, hex., 6×12 .....	2	-	2	2	
17	92000-12000	BOLT, plug drain 12 mm .....	2	2	2	2	
18	94101-03000	WASHER, plain, 3 mm .....	4	4	4	4	
19	94109-12000	WASHER, plug drain, 12 mm .....	2	2	2	2	
20	94111-06000	WASHER, spring, 6 mm .....	2	2	2	2	
○21	11220-815-000	PIPE, oil .....	-	1	-	-	
○22	11211-822-000	PACKING, oil pan .....	-	1	-	-	
○23	15620-815-000	CAP, oil .....	-	1	-	-	
○24	92000-06020	BOLT, hex., 6×20 .....	-	2	-	-	
○25	92000-10040-0A	BOLT, hex., 10×40 .....	-	4	-	-	