

PARTS BOOK

MASSEY-FERGUSON

MF 10

GARDEN TRACTOR

NORTH AMERICAN PARTS OPERATIONS

Massey-Ferguson Inc.

FORM NO. 651 219 M93

GENERAL INFORMATION

THIS BOOK IS PRINTED IN TWO SECTIONS. THE FIRST SECTION CONTAINS A PICTORIAL AND GROUP INDEX PLUS A NUMERICAL INDEX OF ALL PART NUMBERS INCLUDED IN THIS BOOK. THE PAGES IN THIS SECTION ARE NUMBERED WITH ROMAN NUMERALS.

THE LISTING SECTION INCLUDES A PART NUMBER LISTING REFERENCED TO ITEM NUMBERS ON THE ILLUSTRATED PAGE DIRECTLY OPPOSITE. PAGES IN THIS SECTION ARE NUMBERED WITH ARABIC NUMERALS.

THE PAGE NUMBERS APPEAR IN THE UPPER OUTER CORNER OF THE PAGE. PARTS BOOK NUMBER AND DATE WILL APPEAR AT THE LOWER RIGHT HAND CORNER OF THE PAGE. ODD NUMBERED PAGES WILL ALSO CARRY THE MACHINE NAME TO ASSIST IN IDENTIFYING THE MACHINE TO WHICH THE PARTS BOOK APPLIES.

WHEN CHANGES TO THE MACHINE MAKE IT NECESSARY, REVISED PAGES FOR THIS BOOK WILL BE ISSUED. THE REVISED PAGES WILL BE ISSUED WITH THE SAME PAGE NUMBER AS THOSE THEY REPLACE AND THE "ISSUE" NUMBER AND DATE WILL BE ADVANCED.

FROM TIME TO TIME CHANGE INFORMATION WILL BE ISSUED IN THE FORM OF A "PARTS RELEASE AND CHANGE BULLETIN." INFORMATION FROM THESE BULLETINS SHOULD BE ENTERED IN THE PROPER PAGES AS SOON AS THE BULLETINS ARE RECEIVED.

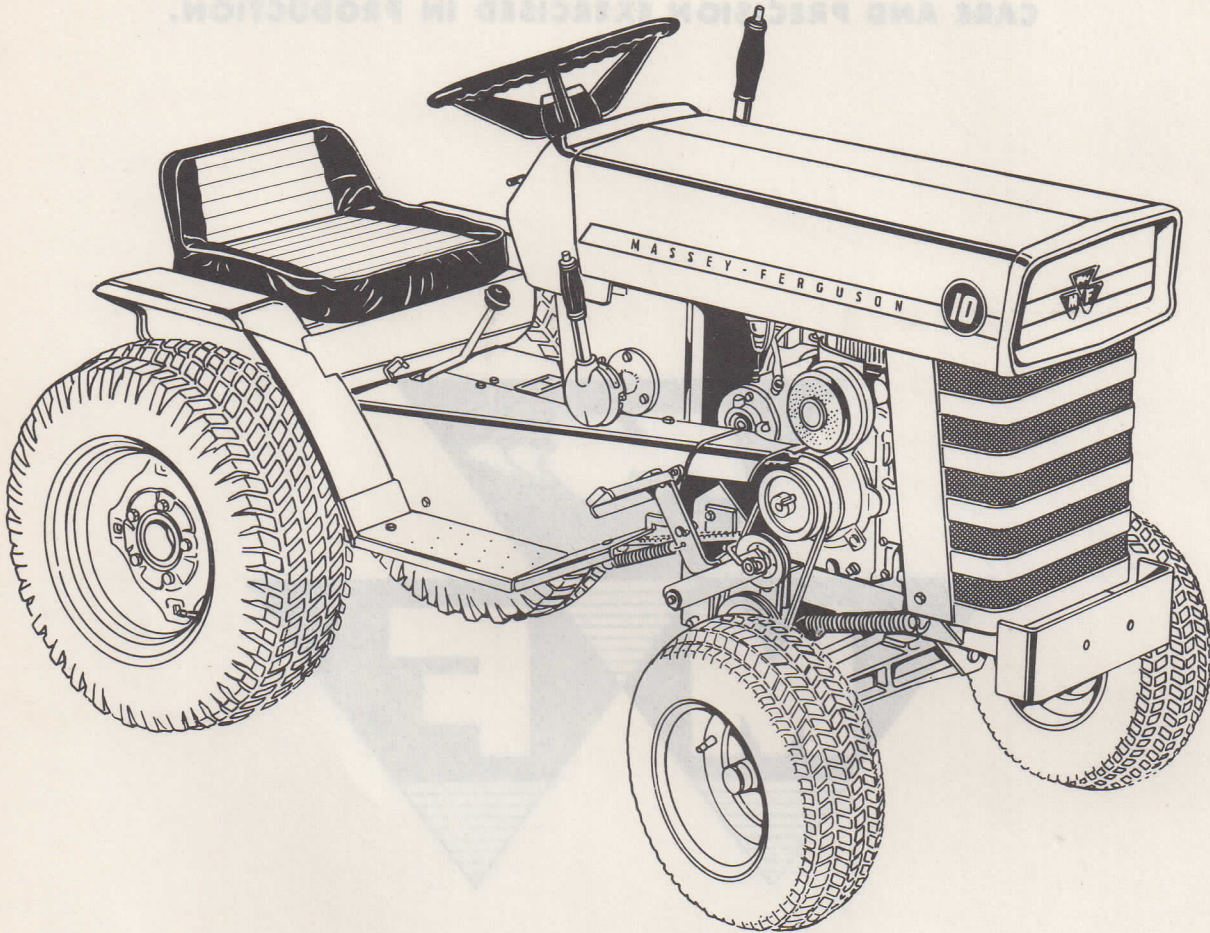
WHENEVER A PAGE OF THIS BOOK IS RE-ISSUED, THE CURRENT PAGE LISTING WILL ALSO BE RE-ISSUED. THIS LISTING WILL SHOW THE ISSUE NUMBER AND DATE OF ISSUE OF EACH PAGE AS A CHECK SHEET COVERING THE ENTIRE BOOK.

IT IS IMPERATIVE THAT REVISED PARTS BOOK PAGES BE INSERTED INTO THEIR RESPECTIVE PARTS BOOKS AS SOON AS RECEIVED. FAILURE TO DO SO WILL LEAD TO CONFUSION AND DEFEAT THE PURPOSE OF THE BOOK.

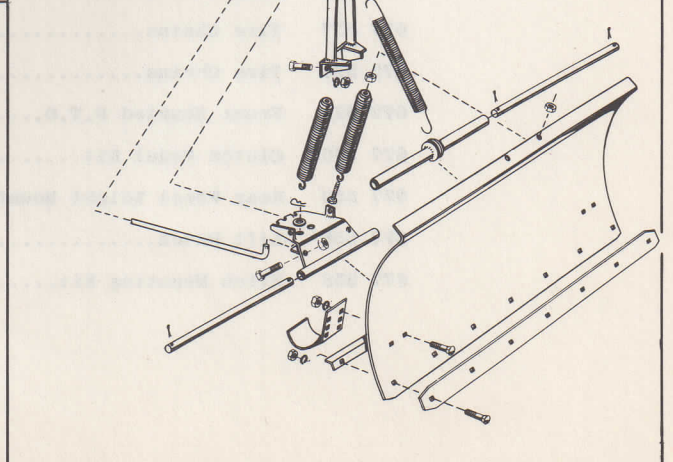
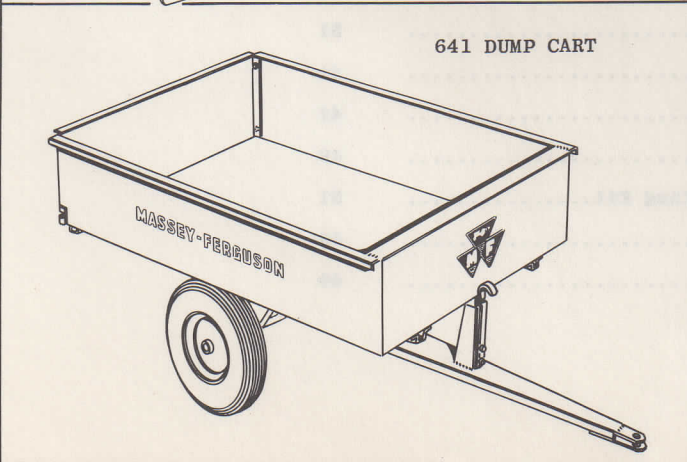
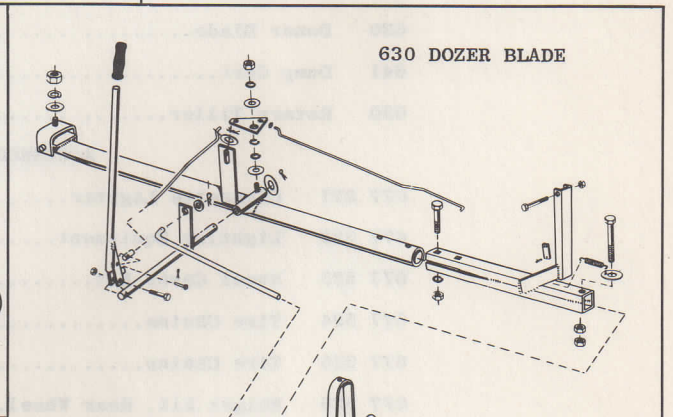
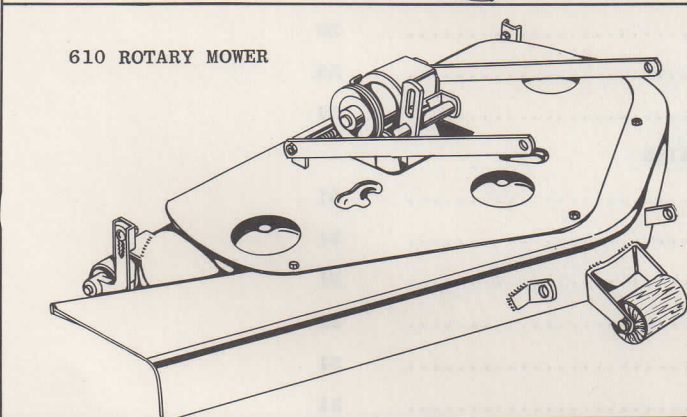
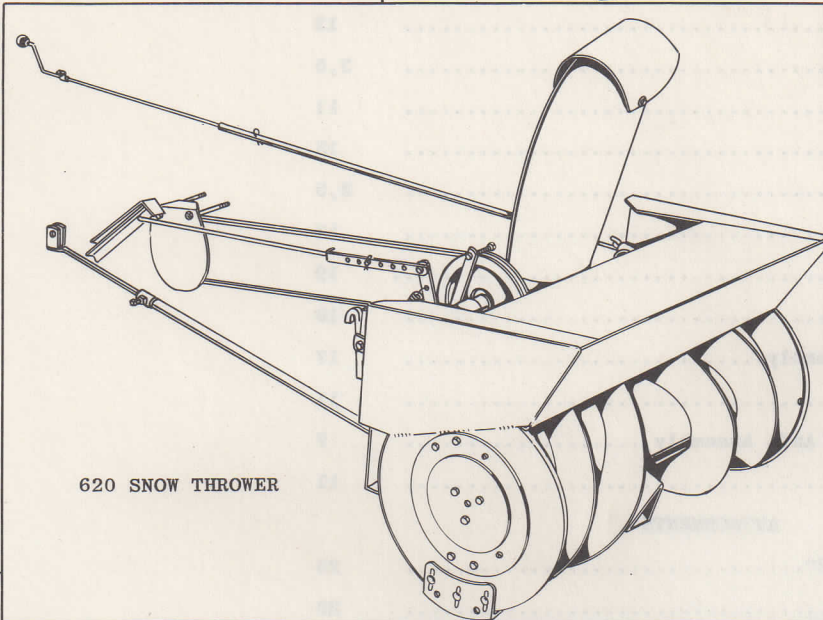
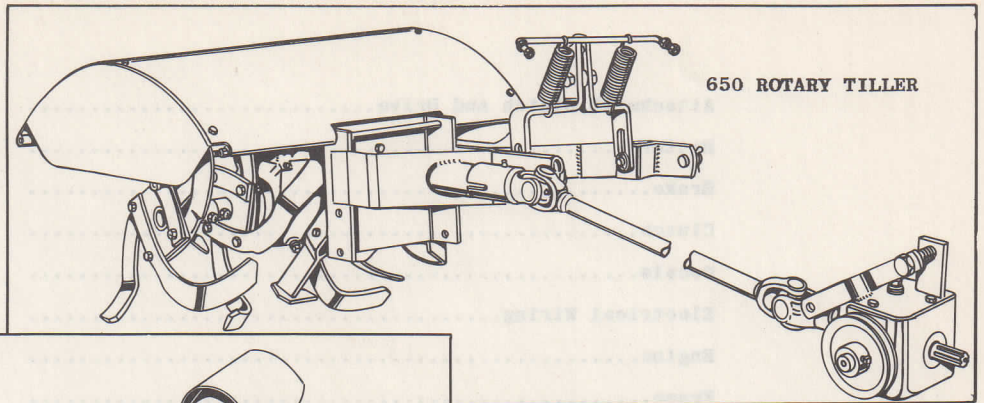
INDENTED PARTS IN THE DESCRIPTIVE LIST ARE A PART OF THE PRECEDING ASSEMBLY OR SUB-ASSEMBLY.

THE QUANTITY SHOWN IN THE "NUMBER REQUIRED" COLUMN IS THE NUMBER OF PARTS USED ON A MACHINE EXCEPT WHERE PARTS ARE INDENTED IN DESCRIPTIVE LIST. IN THIS CASE THE QUANTITY SHOWN IS THE NUMBER REQUIRED FOR THE PRECEDING ASSEMBLY OR SUB-ASSEMBLY.

FOR CERTAIN PARTS SUCH AS BOLTS, NUTS, WASHERS, SHIMS, ETC. AN "X" WILL BE SHOWN IN THE "NUMBER REQUIRED" COLUMN. THIS "X" INDICATES THAT THE QUANTITY TO BE USED IS "AS REQUIRED."



F1336
A



| | <u>Page</u> |
|--|-------------|
| Attachment Clutch and Drive..... | 21 |
| Battery..... | 15 |
| Brake..... | 3,5 |
| Clutch..... | 9 |
| Decals..... | 45 |
| Electrical Wiring..... | 15 |
| Engine..... | 13 |
| Frame..... | 3,5 |
| Front Axle..... | 11 |
| Fuel Tank..... | 13 |
| Lift Linkage..... | 3,5 |
| Muffler..... | 13 |
| Seat..... | 19 |
| Sheet Metal..... | 19 |
| Starter/Generator Assembly..... | 17 |
| Steering..... | 11 |
| Transmission and Rear Axle Assembly..... | 7 |
| Wheels..... | 11 |

ATTACHMENTS

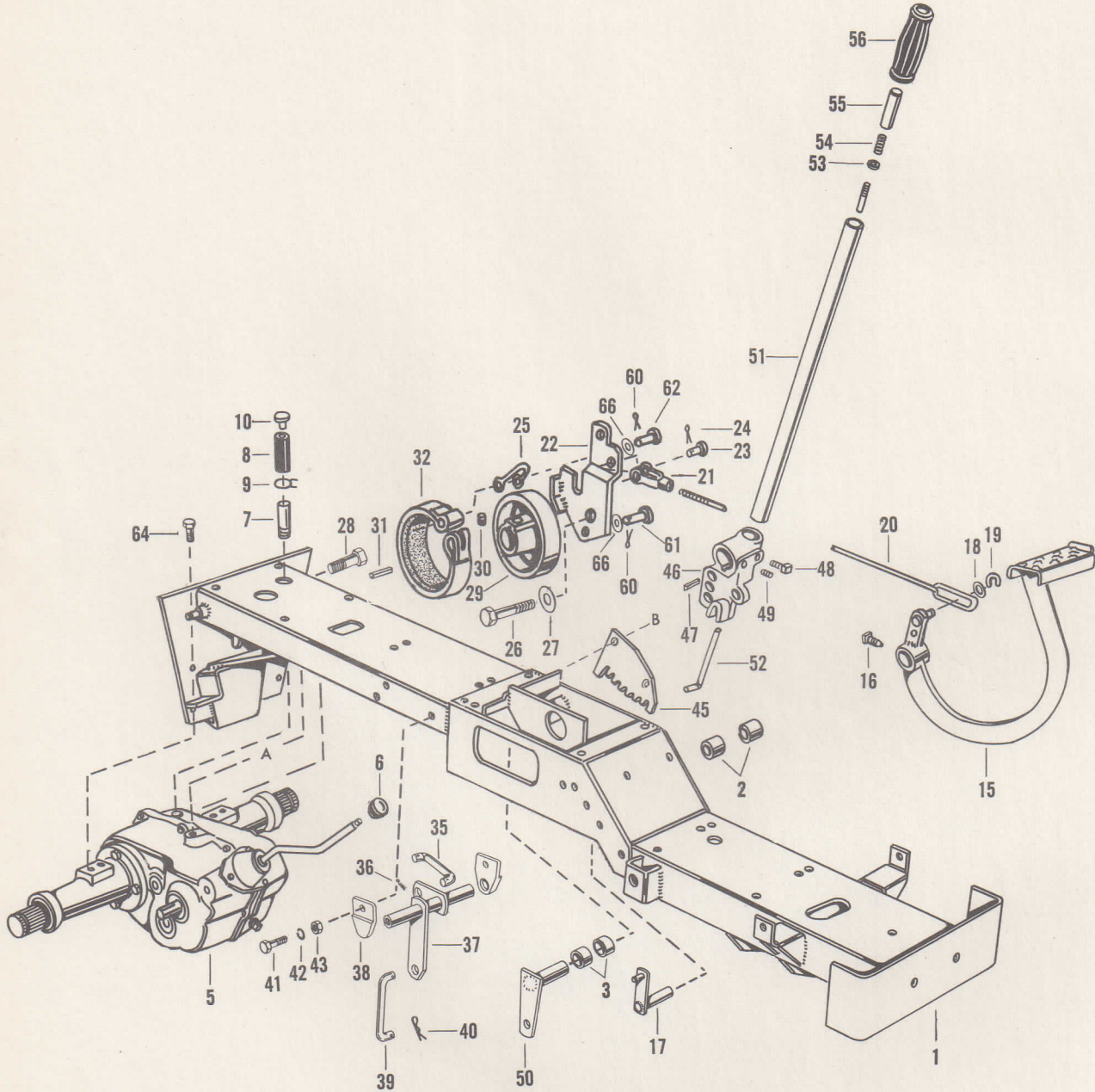
| | |
|----------------------------|----|
| 610 Rotary Mower, 42"..... | 23 |
| 620 Snow Thrower..... | 29 |
| 630 Dozer Blade..... | 33 |
| 641 Dump Cart..... | 35 |
| 650 Rotary Tiller..... | 37 |



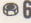
ACCESSORIES

| | |
|---|----|
| 677 277 Cigarette Lighter..... | 51 |
| 677 522 Lighting Equipment..... | 51 |
| 677 523 Wheel Cover Kit..... | 51 |
| 677 524 Tire Chains..... | 51 |
| 677 525 Tire Chains..... | 51 |
| 677 526 Weight Kit, Rear Wheel..... | 51 |
| 677 527 Tire Chains..... | 51 |
| 677 528 Tire Chains..... | 51 |
| 677 529 Front Mounted P.T.O..... | 47 |
| 677 530 Clutch Pedal Kit..... | 49 |
| 677 555 Rear Wheel Weight Mounting Kit..... | 51 |
| 677 556 Lift Hitch..... | 49 |
| 677 558 Hitch Mounting Kit..... | 49 |

FRAME, BRAKE AND LIFT LINKAGE

F1335
A



- A  63
- B  65
-  67

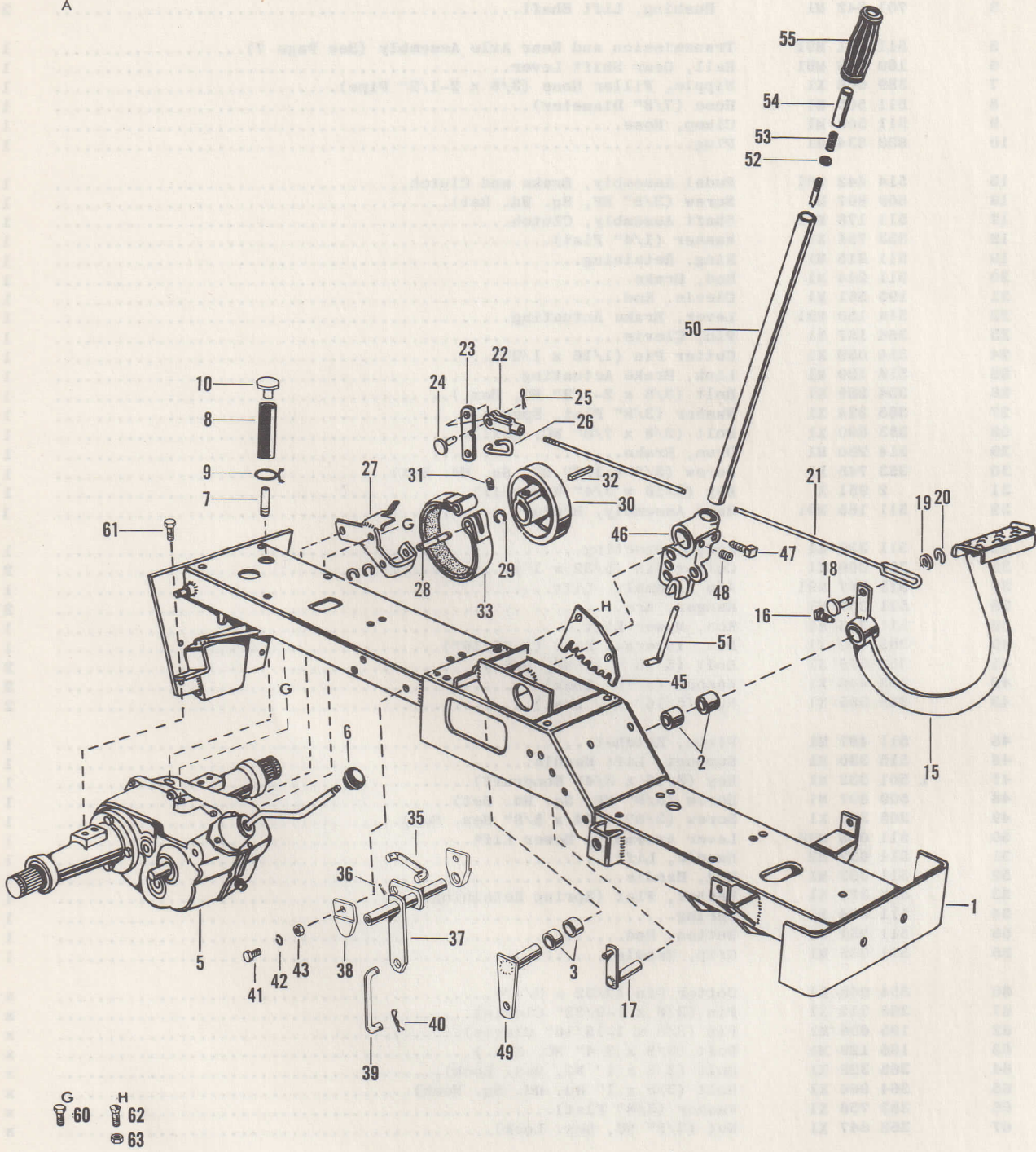
FRAME, BRAKE AND LIFT LINKAGE

(USED MACHINE SERIAL NUMBER 1446 006 016 AND UP)

| Ref. No. | Part No. | Description | No. Req. |
|-------------|--------------|---|-------------|
| 1 | 514 185 M91 | Frame Assembly..... | 1 |
| 2 | 831 007 M1 | Bushing, Clutch Pedal..... | 2 |
| 3 | 701 642 M1 | Bushing, Lift Shaft..... | 2 |
| 5 | 511 151 M91 | Transmission and Rear Axle Assembly (See Page 7)..... | 1 |
| 6 | 180 006 M91 | Ball, Gear Shift Lever..... | 1 |
| 7 | 359 608 X1 | Nipple, Filler Hose (3/8 x 2-1/2" Pipe)..... | 1 |
| 8 | 511 505 M1 | Hose (7/8" Diameter)..... | 1 |
| 9 | 511 508 M1 | Clamp, Hose..... | 1 |
| 10 | 833 834 M1 | Plug..... | 1 |
| 15 | 514 442 M91 | Pedal Assembly, Brake and Clutch..... | 1 |
| 16 | 509 807 M1 | Screw (3/8" NF, Sq. Hd. Set)..... | 1 |
| 17 | 511 178 M92 | Shaft Assembly, Clutch..... | 1 |
| 18 | 353 754 X1 | Washer (1/4" Flat)..... | 1 |
| 19 | 511 215 M1 | Ring, Retaining..... | 1 |
| 20 | 511 244 M1 | Rod, Brake..... | 1 |
| 21 | 195 551 M1 | Clevis, Rod..... | 1 |
| 22 | 514 159 M91 | Lever, Brake Actuating..... | 1 |
| 23 | 354 187 X1 | Pin, Clevis..... | 1 |
| 24 | 354 039 X1 | Cotter Pin (1/16 x 1/2")..... | 1 |
| 25 | 514 120 M1 | Link, Brake Actuating..... | 1 |
| 26 | 354 269 X1 | Bolt (3/8 x 2-1/2" NC, Hex.)..... | 1 |
| 27 | 365 324 X1 | Washer (3/8" Flat, Special)..... | 1 |
| 28 | 353 690 X1 | Bolt (3/8 x 7/8" NC, Hex.)..... | 1 |
| 29 | 514 290 M1 | Drum, Brake..... | 1 |
| 30 | 353 745 X1 | Screw (3/8 x 1/2" NC, Sq. Hd. Set)..... | 1 |
| 31 | 2 951 X | Key (3/16 x 3/4" Woodruff)..... | 1 |
| 32 | 511 165 M91 | Band Assembly, Brake..... | 1 |
| 35 | 511 330 M1 | Rod, Connecting..... | 1 |
| 36 | 354 066 X1 | Cotter Pin (5/32 x 1")..... | 2 |
| 37 | 511 287 M91 | Arm Assembly, Lift..... | 1 |
| 38 | 511 337 M1 | Hanger, Arm..... | 2 |
| 39 | 511 345 M1 | Rod, Mower Lift..... | 1 |
| 40 | 365 402 X1 | Pin, Internal Hair (2-15/16")..... | 1 |
| 41 | 353 679 X1 | Bolt (5/16 x 1" NC, Hex.)..... | 2 |
| 42 | 353 446 X1 | Washer (5/16" Lock)..... | 2 |
| 43 | 355 565 X1 | Nut (5/16" NC, Hex.)..... | 2 |
| 45 | 511 497 M1 | Plate, Ratchet..... | 1 |
| 46 | 515 330 M1 | Support, Lift Handle..... | 1 |
| 47 | 1 501 332 M1 | Key (3/16 x 3/4" Woodruff)..... | 1 |
| 48 | 509 807 M1 | Screw (3/8" NF, Sq. Hd. Set)..... | 1 |
| 49 | 365 326 X1 | Screw (3/8" - 24 x 5/8" Hex. Set)..... | 1 |
| 50 | 511 028 M92 | Lever Assembly, Mower Lift..... | 1 |
| 51 | 511 032 M2 | Handle, Lift..... | 1 |
| 52 | 511 033 M1 | Rod, Handle..... | 1 |
| 53 | 365 321 X1 | Washer, Flat (Spring Retaining)..... | 1 |
| 54 | 511 034 M1 | Spring..... | 1 |
| 55 | 511 031 M1 | Button, Rod..... | 1 |
| 56 | 511 035 M1 | Grip, Handle..... | 1 |
| 60 | 354 048 X1 | Cotter Pin (3/32 x 3/4")..... | x |
| 61 | 365 312 X1 | Pin (3/8 x 1-9/32" Clevis)..... | x |
| 62 | 195 606 M1 | Pin (3/8 x 1-15/16" Clevis)..... | x |
| 63 | 186 129 M1 | Bolt (3/8 x 3/4" NC, Hex.)..... | x |
| 64 | 365 325 X1 | Bolt (3/8 x 1" NC, Hex. Lock)..... | x |
| 65 | 364 964 X1 | Bolt (3/8 x 1" Rd. Hd. Sq. Neck)..... | x |
| 66 | 353 756 X1 | Washer (3/8" Flat)..... | x |
| 67 | 358 647 X1 | Nut (3/8" NC, Hex. Lock)..... | x |

FRAME, BRAKE AND LIFT LINKAGE

F1162-2
A



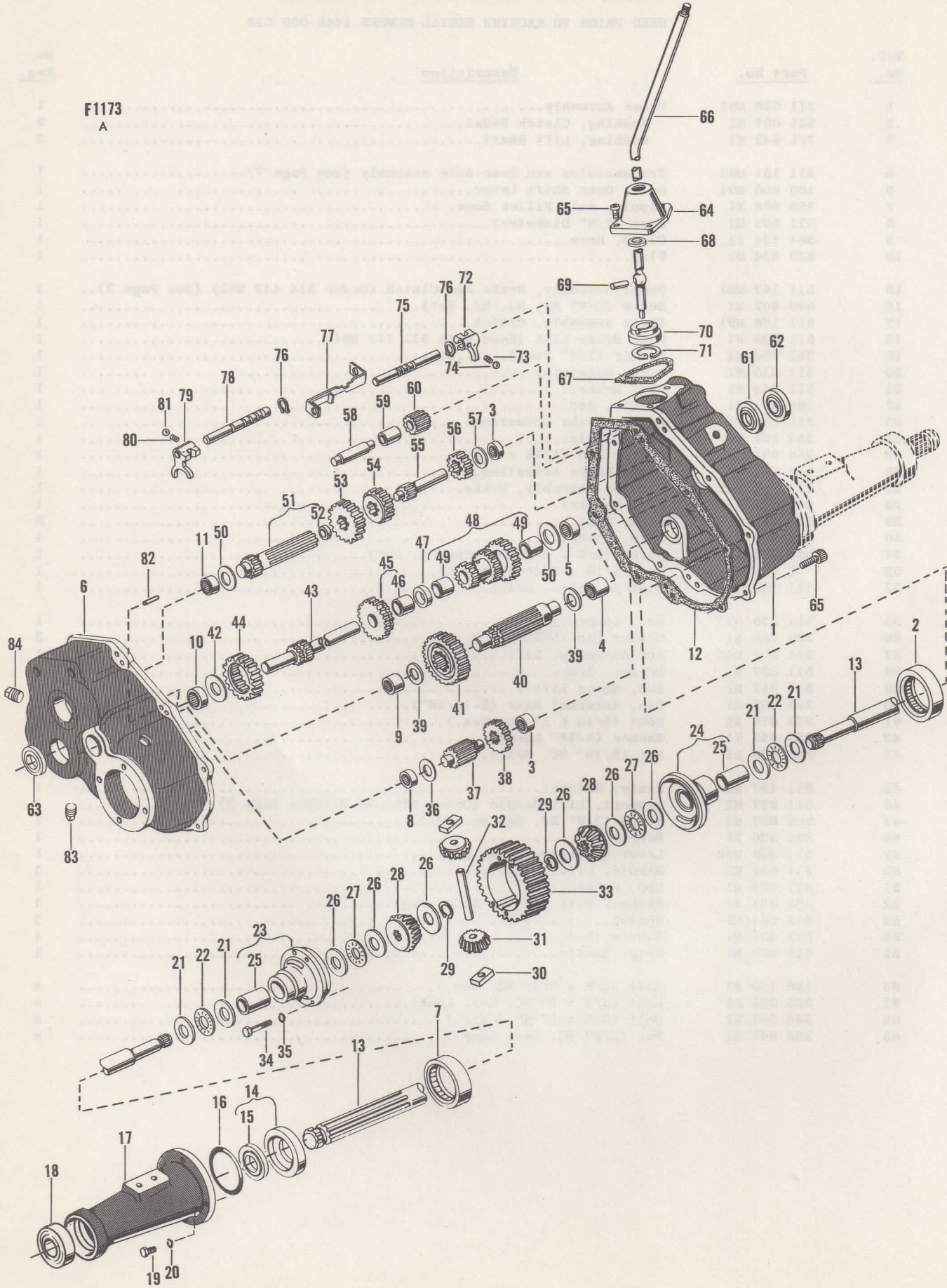
FRAME, BRAKE AND LIFT LINKAGE

USED PRIOR TO MACHINE SERIAL NUMBER 1446 006 016

| Ref. No. | Part No. | Description | No. Req. |
|-------------|-------------|---|-------------|
| 1 | 511 038 M91 | Frame Assembly..... | 1 |
| 2 | 831 007 M1 | Bushing, Clutch Pedal..... | 2 |
| 3 | 701 642 M1 | Bushing, Lift Shaft..... | 2 |
| 5 | 511 151 M91 | Transmission and Rear Axle Assembly (See Page 7)..... | 1 |
| 6 | 180 006 M91 | Ball, Gear Shift Lever..... | 1 |
| 7 | 359 608 X1 | Nipple, Axle Filler Hose..... | 1 |
| 8 | 511 505 M1 | Hose (7/8" Diameter)..... | 1 |
| 9 | 364 124 X1 | Clamp, Hose..... | 1 |
| 10 | 833 834 M1 | Plug..... | 1 |
| 15 | 511 147 M91 | Pedal Assembly, Brake and Clutch (Order 514 442 M91) (See Page 3).. | 1 |
| 16 | 509 807 M1 | Screw (3/8" NF, Sq. Hd. Set)..... | 1 |
| 17 | 511 178 M91 | Shaft Assembly, Clutch..... | 1 |
| 18 | 511 209 M1 | Pin, Brake Link (Used with 511 147 M91)..... | 1 |
| 19 | 353 754 X1 | Washer (1/4" Flat)..... | 1 |
| 20 | 511 215 M1 | Ring, Retaining..... | 1 |
| 21 | 511 244 M1 | Rod, Brake..... | 1 |
| 22 | 195 551 M1 | Clevis, Rod..... | 1 |
| 23 | 511 248 M1 | Lever, Brake Actuating..... | 1 |
| 24 | 354 187 X1 | Pin, Clevis..... | 1 |
| 25 | 354 039 X1 | Cotter Pin (1/16 x 1/2")..... | 1 |
| 26 | 511 191 M1 | Link, Brake Actuating..... | 1 |
| 27 | 511 243 M91 | Bracket Assembly, Brake..... | 1 |
| 28 | 511 247 M1 | Pin, Bracket..... | 1 |
| 29 | 511 216 M1 | Ring, Snap..... | 3 |
| 30 | 511 166 M1 | Drum, Brake..... | 1 |
| 31 | 354 134 X1 | Screw (3/8 x 5/8" NC, Cup Pt. Set)..... | 1 |
| 32 | 2 951 X | Key (3/16 x 3/4" Woodruff)..... | 1 |
| 33 | 511 165 M91 | Band Assembly, Brake..... | 1 |
| 35 | 511 330 M1 | Rod, Connecting..... | 1 |
| 36 | 354 066 X1 | Cotter Pin (5/32 x 1")..... | 3 |
| 37 | 511 287 M91 | Arm Assembly, Lift..... | 1 |
| 38 | 511 337 M1 | Hanger, Arm..... | 2 |
| 39 | 511 345 M1 | Rod, Mower Lift..... | 1 |
| 40 | 365 402 X1 | Pin, Internal Hair (2-15/16")..... | 1 |
| 41 | 353 679 X1 | Bolt (5/16 x 1" NC, Hex.)..... | x |
| 42 | 353 446 X1 | Washer (5/16" Lock)..... | x |
| 43 | 355 565 X1 | Nut (5/16" NC, Hex.)..... | x |
| 45 | 511 497 M1 | Plate, Ratchet..... | 1 |
| 46 | 511 027 M2 | Support, Lift Handle (Order 515 330 M1)(See Page 3)..... | 1 |
| 47 | 509 807 M1 | Screw (3/8" NF, Sq. Hd. Set)..... | 1 |
| 48 | 365 326 X1 | Screw, Set..... | 1 |
| 49 | 511 028 M92 | Lever Assembly, Mower Lift..... | 1 |
| 50 | 511 032 M2 | Handle, Lift..... | 1 |
| 51 | 511 033 M1 | Rod, Handle..... | 1 |
| 52 | 365 321 X1 | Washer, Flat (Spring Retaining)..... | 1 |
| 53 | 511 034 M1 | Spring..... | 1 |
| 54 | 511 031 M1 | Button, Rod..... | 1 |
| 55 | 511 035 M1 | Grip, Handle..... | 1 |
| 60 | 186 129 M1 | Bolt (3/8 x 3/4" NC, Hex.)..... | x |
| 61 | 365 325 X1 | Bolt (3/8 x 1" NC, Hex. Lock)..... | x |
| 62 | 364 964 X1 | Bolt (3/8 x 1" NC, Carr.)..... | x |
| 63 | 358 647 X1 | Nut (3/8" NC, Hex. Lock)..... | x |

TRANSMISSION AND REAR AXLE ASSEMBLY

F1173
A



1st Print

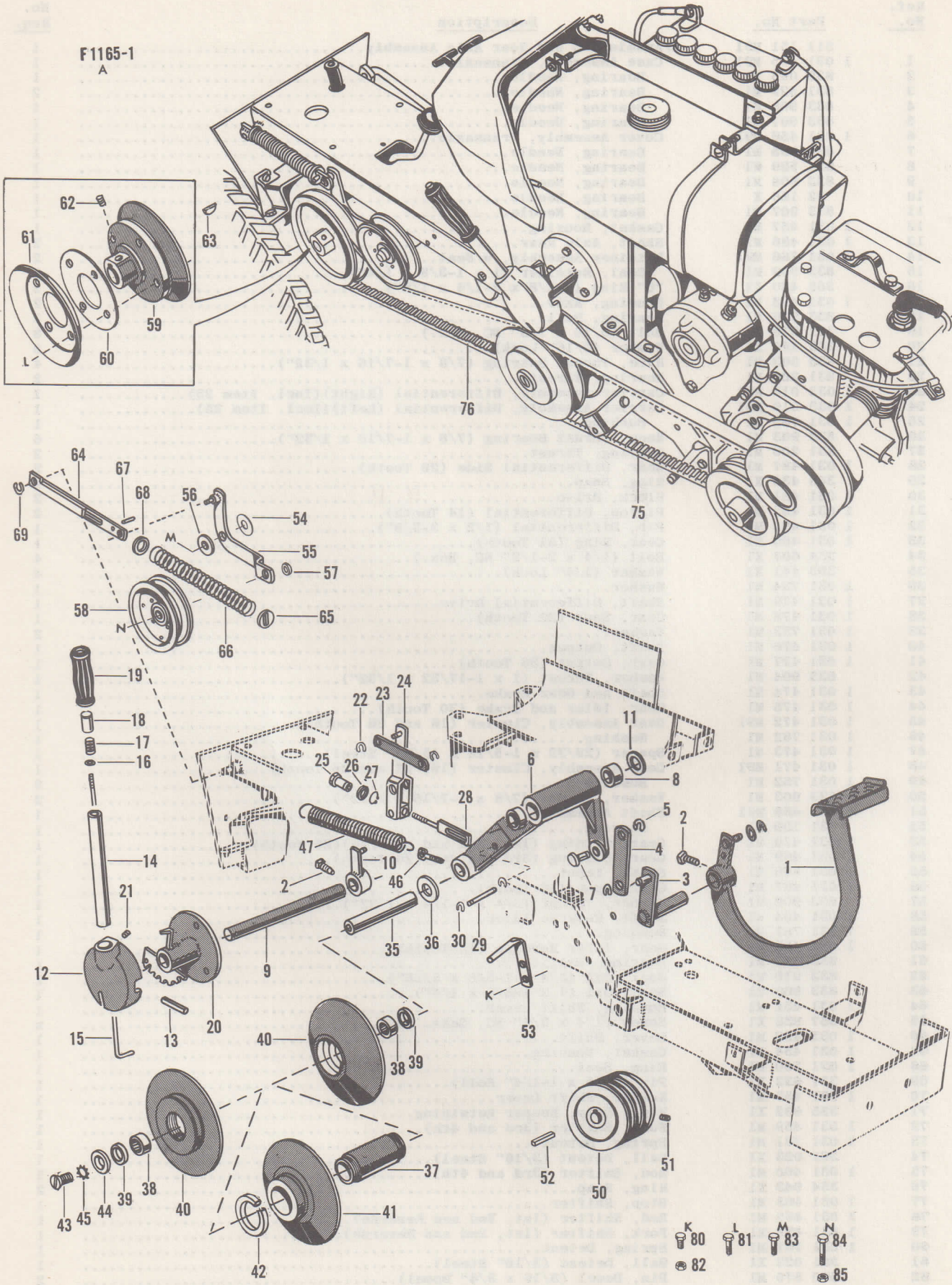
651 219 M93 (Issue 1) 11/66

TRANSMISSION AND REAR AXLE ASSEMBLY

| Ref. No. | Part No. | Description | No. Req. |
|----------|---------------|--|----------|
| 1 | 511 151 M91 | Transmission and Rear Axle Assembly..... | 1 |
| 2 | 1 031 455 M91 | Case Assembly, Transaxle..... | 1 |
| 3 | 835 095 M1 | Bearing, Needle..... | 1 |
| 4 | 831 529 M1 | Bearing, Needle..... | 2 |
| 5 | 833 908 M1 | Bearing, Needle..... | 1 |
| 6 | 833 907 M1 | Bearing, Needle..... | 1 |
| 7 | 1 031 456 M91 | Cover Assembly, Transaxle..... | 1 |
| 8 | 835 095 M1 | Bearing, Needle..... | 1 |
| 9 | 831 529 M1 | Bearing, Needle..... | 1 |
| 10 | 833 908 M1 | Bearing, Needle..... | 1 |
| 11 | 22 166 X | Bearing, Needle..... | 1 |
| 12 | 833 907 M1 | Bearing, Needle..... | 1 |
| 13 | 1 031 457 M1 | Gasket, Housing..... | 1 |
| 14 | 1 031 486 M1 | Shaft, Axle Rear..... | 2 |
| 15 | 1 031 786 M91 | Retainer Assembly, w/Seal..... | 2 |
| 16 | 833 909 M1 | Seal, Retainer (1 x 1-3/8 x 1/4")..... | 1 |
| 17 | 365 450 X1 | "O" Ring (2-1/8 x 2-1/4 x 1/8")..... | 2 |
| 18 | 1 031 488 M1 | Housing, Axle..... | 2 |
| 19 | 833 906 M1 | Bearing, Ball..... | 2 |
| 20 | 353 678 X1 | Bolt (5/16 x 7/8" NC, Hex.)..... | 8 |
| 21 | 353 446 X1 | Washer (5/16" Lock)..... | 8 |
| 22 | 833 903 M1 | Race, Thrust Bearing (7/8 x 1-7/16 x 1/32")..... | 4 |
| 23 | 831 200 M1 | Bearing, Thrust..... | 2 |
| 24 | 1 033 018 M91 | Carrier Assembly, Differential (Right)(Incl. Item 25)..... | 1 |
| 25 | 1 033 019 M91 | Carrier Assembly, Differential (Left)(Incl. Item 25)..... | 1 |
| 26 | 1 031 785 M1 | Bushing..... | 1 |
| 27 | 833 903 M1 | Race, Thrust Bearing (7/8 x 1-7/16 x 1/32")..... | 6 |
| 28 | 831 200 M1 | Bearing, Thrust..... | 2 |
| 29 | 1 031 487 M1 | Gear, Differential Side (20 Tooth)..... | 2 |
| 30 | 365 438 X1 | Ring, Snap..... | 2 |
| 31 | 1 031 481 M1 | Block, Drive..... | 2 |
| 32 | 1 031 483 M1 | Pinion, Differential (14 Tooth)..... | 2 |
| 33 | 1 031 482 M1 | Pin, Differential (1/2 x 3-3/8")..... | 1 |
| 34 | 1 031 480 M1 | Gear, Ring (31 Tooth)..... | 1 |
| 35 | 354 607 X1 | Bolt (1/4 x 2-1/2" NC, Hex.)..... | 4 |
| 36 | 353 441 X1 | Washer (1/4" Lock)..... | 4 |
| 37 | 1 031 784 M1 | Washer..... | 1 |
| 38 | 1 031 479 M1 | Shaft, Differential Drive..... | 1 |
| 39 | 1 031 478 M1 | Gear, Spur (22 Tooth)..... | 1 |
| 40 | 1 031 783 M1 | Washer..... | 2 |
| 41 | 1 031 476 M1 | Shaft, Output..... | 1 |
| 42 | 1 031 477 M1 | Gear, Output (36 Tooth)..... | 1 |
| 43 | 833 904 M1 | Washer, Thrust (1 x 1-17/32 x 1/32")..... | 1 |
| 44 | 1 031 474 M1 | Shaft and Gear Brake..... | 1 |
| 45 | 1 031 475 M1 | Gear, Idler and Brake (30 Tooth)..... | 1 |
| 46 | 1 031 472 M91 | Gear Assembly, Cluster (16 and 26 Tooth)..... | 1 |
| 47 | 1 031 782 M1 | Bushing..... | 1 |
| 48 | 1 031 473 M1 | Spacer (29/32 x 1-5/16 x 15/32" Steel)..... | 1 |
| 49 | 1 031 471 M91 | Gear Assembly, Cluster (16, 22 and 26 Tooth)..... | 1 |
| 50 | 1 031 781 M1 | Bushing..... | 2 |
| 51 | 833 903 M1 | Washer, Thrust (7/8 x 1-7/16 x 1/32")..... | 2 |
| 52 | 1 031 468 M91 | Shaft Assembly..... | 1 |
| 53 | 831 109 M1 | Bearing..... | 1 |
| 54 | 1 031 470 M1 | Gear, Sliding (1st, 2nd and Reverse)(26 Tooth)..... | 1 |
| 55 | 1 031 469 M1 | Gear, Sliding (3rd and 4th)(20 Tooth)..... | 1 |
| 56 | 1 031 466 M1 | Shaft, Input..... | 1 |
| 57 | 1 031 467 M1 | Gear, Spur (16 Tooth)..... | 1 |
| 58 | 833 902 M1 | Washer, Thrust (3/4 x 1-1/4 x 1/32")..... | 1 |
| 59 | 1 031 464 M1 | Shaft, Reverse Idler..... | 1 |
| 60 | 1 031 787 M1 | Bushing..... | 1 |
| 61 | 1 031 465 M1 | Gear, Idler Reverse (12 Tooth)..... | 1 |
| 62 | 833 383 M1 | Bearing, Ball..... | 1 |
| 63 | 833 910 M1 | Seal, Oil (3/4 x 1-5/8 x 5/16")..... | 1 |
| 64 | 833 909 M1 | Seal, Oil (1 x 1-3/8 x 1/4")..... | 1 |
| 65 | 1 031 451 M1 | Housing, Shift Lever..... | 1 |
| 66 | 357 832 X1 | Screw (1/4 x 3/4" NC, Sckt. Hd.)..... | x |
| 67 | 1 031 452 M1 | Lever, Shift..... | 1 |
| 68 | 1 031 454 M1 | Gasket, Housing..... | 1 |
| 69 | 1 031 780 M1 | Ring, Seal..... | 1 |
| 70 | 357 632 X1 | Pin (3/16 x 1-1/4" Roll)..... | 1 |
| 71 | 1 031 453 M1 | Keeper, Shift Lever..... | 1 |
| 72 | 355 602 X1 | Ring, Snap, Keeper Retaining..... | 1 |
| 73 | 1 031 459 M1 | Fork, Shifter (3rd and 4th)..... | 1 |
| 74 | 1 031 781 M1 | Spring, Detent..... | 1 |
| 75 | 361 023 X1 | Ball, Detent (3/16" Steel)..... | 1 |
| 76 | 1 031 460 M1 | Rod, Shifter (3rd and 4th)..... | 1 |
| 77 | 354 943 X1 | Ring, Snap..... | 2 |
| 78 | 1 031 463 M1 | Stop, Shifter..... | 1 |
| 79 | 1 031 462 M1 | Rod, Shifter (1st, 2nd and Reverse)..... | 1 |
| 80 | 1 031 459 M1 | Fork, Shifter (1st, 2nd and Reverse)..... | 1 |
| 81 | 1 031 781 M1 | Spring, Detent..... | 1 |
| 82 | 361 023 X1 | Ball, Detent (3/16" Steel)..... | 1 |
| 83 | 500 870 M1 | Pin, Dowel (5/16 x 3/4" Dowel)..... | 2 |
| 84 | 768 918 M91 | Plug, Magnetic Drain (3/8" P.T.)..... | 1 |
| | 375 181 X1 | Plug, Pipe (3/8" Sq. Hd.)..... | 1 |

CLUTCH AND DRIVE

F1165-1
A



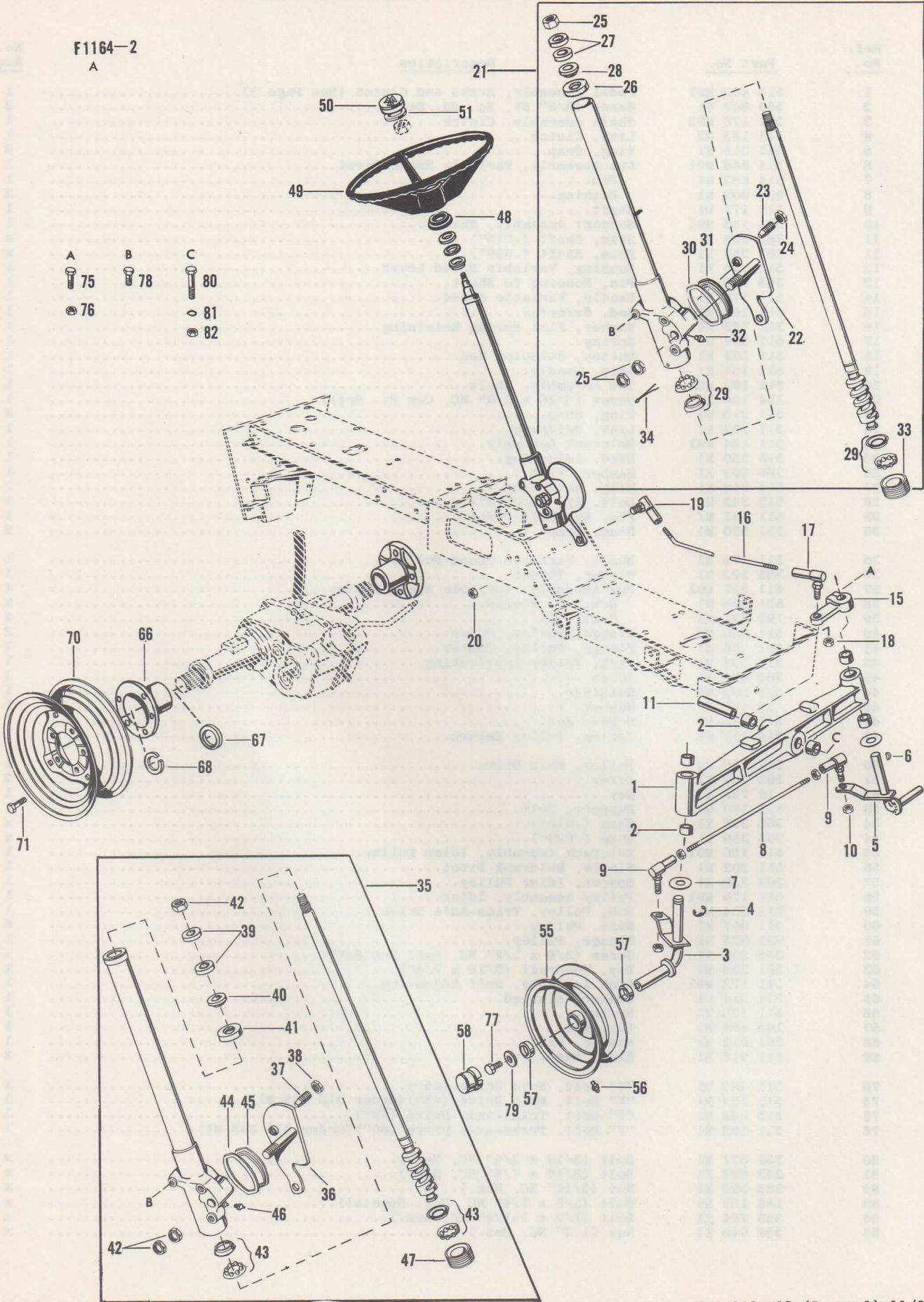
CLUTCH AND DRIVE

| Ref. No. | Part No. | Description | No. Req. |
|----------|--------------|---|----------|
| 1 | 514 442 M91 | Pedal Assembly, Brake and Clutch (See Page 3) | 1 |
| 2 | 509 807 M1 | Screw (3/8" NF, Sq. Hd. Set) | 2 |
| 3 | 511 178 M92 | Shaft Assembly, Clutch | 1 |
| 4 | 511 185 M2 | Link, Clutch | 1 |
| 5 | 511 216 M1 | Ring, Snap | 2 |
| 6 | 514 686 M91 | Arm Assembly, Variable Speed Pivot | 1 |
| 7 | 514 682 M1 | Pin | 1 |
| 8 | 831 007 M1 | Bushing | 2 |
| 9 | 511 177 M1 | Shaft | 1 |
| 10 | 511 155 M91 | Support Assembly, Shaft | 1 |
| 11 | 363 259 X1 | Shim, Shaft (.015") | x |
| 11 | 363 258 X1 | Shim, Shaft (.030") | x |
| 12 | 511 148 M1 | Housing, Variable Speed Lever | 1 |
| 13 | 355 723 X1 | Pin, Housing to Shaft | 1 |
| 14 | 511 170 M1 | Handle, Variable Speed | 1 |
| 15 | 511 169 M1 | Rod, Selector | 1 |
| 16 | 353 753 X1 | Washer, Flat Spring Retaining | 1 |
| 17 | 511 034 M1 | Spring | 1 |
| 18 | 511 201 M1 | Button, Selector Rod | 1 |
| 19 | 511 161 M1 | Grip, Handle | 1 |
| 20 | 511 182 M91 | Hub Assembly, Shaft | 1 |
| 21 | 354 130 X1 | Screw (5/16 x 3/8" NC, Cup Pt. Set) | 1 |
| 22 | 511 215 M1 | Ring, Snap | 2 |
| 23 | 511 193 M1 | Link, Belcrank | 1 |
| 24 | 511 154 M91 | Belcrank Assembly | 1 |
| 25 | 513 350 M1 | Stud, Adjusting | 1 |
| 26 | 365 399 X1 | Washer, Flat | 1 |
| 27 | 354 944 X1 | Ring, Retaining | 1 |
| 28 | 513 342 M1 | Bolt, Eye (Special) | 1 |
| 29 | 511 631 M1 | Pin, Eye Bolt Pivot | 1 |
| 30 | 511 630 M1 | Ring, Snap | 2 |
| 35 | 511 179 M1 | Shaft, Variable Speed Pulley | 1 |
| 36 | 365 322 X1 | Washer, Thrust | 1 |
| 37 | 511 517 M91 | Hub Assembly, Variable Speed Pulley | 1 |
| 38 | 831 529 M1 | Bearing, Needle | 2 |
| 39 | 195 321 M1 | Seal, Oil | 2 |
| 40 | 511 240 M2 | Flange, Pulley, Outer | 2 |
| 41 | 511 160 M1 | Flange, Pulley, Center | 1 |
| 42 | 511 534 M1 | Wick, Pulley Lubricating | 1 |
| 43 | 365 337 X1 | Screw | 1 |
| 44 | 511 205 M1 | Retainer | 1 |
| 45 | 22 180 X | Washer | 1 |
| 46 | 511 213 M1 | Screw, Set | 1 |
| 47 | 514 417 M1 | Spring, Pulley Return | 1 |
| 50 | 511 140 M2 | Pulley, Main Drive | 1 |
| 51 | 355 307 X1 | Screw | 2 |
| 52 | 10 728 X | Key | 1 |
| 53 | 511 380 M1 | Support, Belt | 1 |
| 54 | 365 338 X1 | Shim (.010") | x |
| 54 | 365 339 X1 | Shim (.020") | x |
| 55 | 511 156 M91 | Belcrank Assembly, Idler Pulley | 1 |
| 56 | 511 202 M1 | Sleeve, Belcrank Pivot | 1 |
| 57 | 363 339 X1 | Spacer, Idler Pulley | 1 |
| 58 | 511 176 M91 | Pulley Assembly, Idler | 1 |
| 59 | 511 504 M1 | Hub, Pulley, Trans-Axle Drive | 1 |
| 60 | 511 507 M1 | Shim, Pulley | 6 |
| 61 | 833 835 M1 | Flange, Pulley | 1 |
| 62 | 355 239 X1 | Screw (3/8 x 1/2" NC, Half Dog Set) | 1 |
| 63 | 1 501 332 M1 | Key, Woodruff (3/16 x 3/4") | 1 |
| 64 | 511 172 M91 | Link Assembly, Self Adjusting | 1 |
| 65 | 511 214 M1 | Washer, Slotted | 1 |
| 66 | 511 175 M1 | Spring | 1 |
| 67 | 195 468 M1 | Pin, Roll | 1 |
| 68 | 361 012 X1 | Washer, Flat | 1 |
| 69 | 511 216 M1 | Ring, Snap | 2 |
| 75 | 515 382 M1 | "V" Belt, Main Drive (45") | 1 |
| 75 | 511 152 M1 | "V" Belt, Main Drive (45") (Order 515 382 M1) | 1 |
| 76 | 515 383 M1 | "V" Belt, Trans-Axle Drive (60") | 1 |
| 76 | 511 153 M1 | "V" Belt, Trans-Axle Drive (60") (Order 515 383 M1) | 1 |
| 80 | 353 677 X1 | Bolt (5/16 x 3/4" NC, Hex.) | x |
| 81 | 353 678 X1 | Bolt (5/16 x 7/8" NC, Hex.) | x |
| 82 | 355 565 X1 | Nut (5/16" NC, Hex.) | x |
| 83 | 186 129 M1 | Bolt (3/8 x 3/4" NC, Hex. Special) | x |
| 84 | 353 724 X1 | Bolt (1/2 x 1-1/2" NC, Hex.) | x |
| 85 | 358 649 X1 | Nut (1/2" NC, Hex.) | x |

FRONT SUSPENSION, STEERING AND WHEELS

F1164-2
A

- | | | |
|----|----|----|
| A | B | C |
| 75 | 78 | 80 |
| 76 | 81 | 82 |



1st Print

651 219 M93 (Issue 1) 11/66

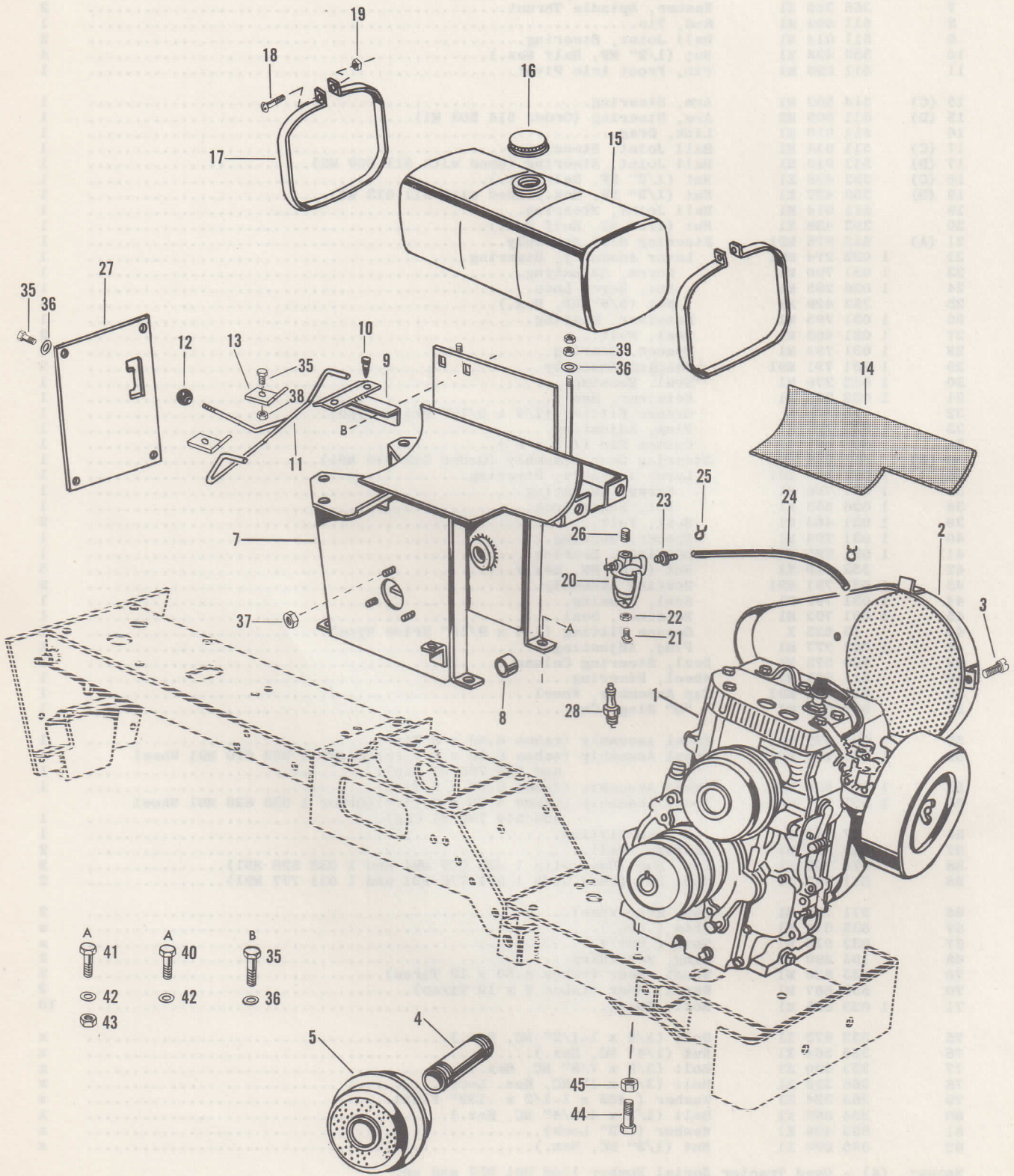
FRONT SUSPENSION, STEERING AND WHEELS

| Ref. No. | Part No. | Description | No. Req. |
|----------|---------------|--|----------|
| 1 | 511 019 M91 | Axle Assembly, Front..... | 1 |
| 2 | 831 007 M1 | Bushing..... | 6 |
| 3 | 511 020 M91 | Spindle Assembly, Right..... | 1 |
| 4 | 363 861 X1 | Ring, Snap, Spindle Retaining (Right)..... | 1 |
| 5 | 511 022 M91 | Spindle Assembly, Left..... | 1 |
| 6 | 1 501 332 M1 | Key, Woodruff Spindle (Left)..... | 1 |
| 7 | 365 322 X1 | Washer, Spindle Thrust..... | 2 |
| 8 | 511 024 M1 | Rod, Tie..... | 1 |
| 9 | 511 014 M1 | Ball Joint, Steering..... | 2 |
| 10 | 353 438 X1 | Nut (1/2" NF, Half Hex.)..... | 4 |
| 11 | 511 026 M1 | Pin, Front Axle Pivot..... | 1 |
| 15 (C) | 514 503 M1 | Arm, Steering..... | 1 |
| 15 (D) | 511 009 M2 | Arm, Steering (Order 514 503 M1)..... | 1 |
| 16 | 511 010 M1 | Link, Drag..... | 1 |
| 17 (C) | 511 014 M1 | Ball Joint, Steering..... | 1 |
| 17 (D) | 511 013 M1 | Ball Joint, Steering (Used with 511 009 M2)..... | 1 |
| 18 (C) | 353 438 X1 | Nut (1/2" NF, Half Hex.)..... | 1 |
| 18 (D) | 353 437 X1 | Nut (1/2" NF, Hex.) (Used with 511 013 M1)..... | 1 |
| 19 | 511 014 M1 | Ball Joint, Steering..... | 1 |
| 20 | 353 438 X1 | Nut (1/2" NF, Half Hex.)..... | 1 |
| 21 (A) | 512 975 M91 | Steering Gear Assembly..... | 1 |
| 22 | 1 032 274 M91 | Lever Assembly, Steering..... | 1 |
| 23 | 1 031 790 M1 | Screw, Adjusting..... | 1 |
| 24 | 1 026 265 M1 | Nut, Screw Lock..... | 1 |
| 25 | 353 429 X1 | Nut (5/8" NF, Hex.)..... | 3 |
| 26 | 1 031 795 M1 | Retainer, Bearing..... | 1 |
| 27 | 1 021 463 M1 | Seal, Felt..... | 2 |
| 28 | 1 031 794 M1 | Spacer, Bearing..... | 1 |
| 29 | 1 031 791 M91 | Bearing Assembly..... | 2 |
| 30 | 1 032 276 M1 | Seal, Housing..... | 1 |
| 31 | 1 032 275 M1 | Retainer, Seal..... | 1 |
| 32 | 13 525 X | Grease Fitting (1/4 x 9/16" Drive Type)..... | 1 |
| 33 | 1 031 796 M1 | Plug, Adjusting..... | 1 |
| 34 | 375 091 X1 | Cotter Pin (1/8 x 2")..... | 1 |
| 35 (B) | 511 008 M91 | Steering Gear Assembly (Order 512 975 M91)..... | 1 |
| 36 | 1 031 789 M91 | Lever Assembly, Steering..... | 1 |
| 37 | 1 031 790 M1 | Screw, Adjusting..... | 1 |
| 38 | 1 026 265 M1 | Nut, Screw Lock..... | 1 |
| 39 | 1 021 463 M1 | Seal, Felt..... | 2 |
| 40 | 1 031 794 M1 | Spacer, Bearing..... | 1 |
| 41 | 1 031 795 M1 | Retainer, Bearing..... | 1 |
| 42 | 353 429 X1 | Nut (5/8" NF, Hex.)..... | 3 |
| 43 | 1 031 791 M91 | Bearing Assembly..... | 2 |
| 44 | 1 031 793 M1 | Seal, Housing..... | 1 |
| 45 | 1 031 792 M1 | Retainer, Seal..... | 1 |
| 46 | 13 525 X | Grease Fitting (1/4 x 9/16" Drive Type)..... | 1 |
| 47 | 1 032 277 M1 | Plug, Adjusting..... | 1 |
| 48 | 180 575 M1 | Seal, Steering Column..... | 1 |
| 49 | 511 007 M1 | Wheel, Steering..... | 1 |
| 50 | 511 702 M91 | Cap Assembly, Wheel..... | 1 |
| 51 | 511 011 M1 | "O" Ring, Cap..... | 1 |
| 55 | 1 033 679 M91 | Wheel Assembly (takes 6.50 x 8 Tire)..... | 1 |
| 55 | 1 031 776 M91 | Wheel Assembly (takes 6.50 x 8 Tire) (Order 1 033 679 M91 Wheel and 514 790 M1 Cap)..... | 1 |
| 55 | 1 033 826 M91 | Wheel Assembly (takes 4.80 x 8 Tire)..... | 1 |
| 55 | 1 031 777 M91 | Wheel Assembly (takes 4.80 x 8 Tire) (Order 1 033 826 M91 Wheel and 514 790 M1 Cap)..... | 1 |
| 56 | 17 914 A | Grease Fitting..... | 2 |
| 57 | 833 914 M1 | Bearing, Ball..... | 1 |
| 58 | 514 790 M1 | Cap, Hub (Used with 1 033 679 M91 and 1 033 826 M91)..... | 2 |
| 58 | 511 927 M1 | Cap, Hub (Used with 1 031 776 M91 and 1 031 777 M91)..... | 2 |
| 66 | 511 150 M1 | Hub, Rear Wheel..... | 2 |
| 67 | 832 011 M1 | Shim (.005")..... | x |
| 67 | 832 012 M1 | Shim (.007")..... | x |
| 68 | 195 290 M1 | Ring, Retaining..... | 2 |
| 70 | 833 826 M1 | Wheel, Rear (takes 8.50 x 12 Tires)..... | 2 |
| 70 | 833 887 M1 | Wheel, Rear (takes 6 x 12 Tires)..... | 2 |
| 71 | 1 023 835 M1 | Bolt, Wheel..... | 10 |
| 75 | 353 673 X1 | Bolt (1/4 x 1-1/2" NC, Hex.)..... | x |
| 76 | 355 564 X1 | Nut (1/4" NC, Hex.)..... | x |
| 77 | 353 690 X1 | Bolt (3/8 x 7/8" NC, Hex.)..... | x |
| 78 | 365 325 X1 | Bolt (3/8 x 1" NC, Hex. Lock)..... | x |
| 79 | 365 324 X1 | Washer (.406 x 1-1/2 x .132" Flat)..... | x |
| 80 | 354 669 X1 | Bolt (1/2 x 4-3/4" NC, Hex.)..... | x |
| 81 | 353 439 X1 | Washer (1/2" Lock)..... | x |
| 82 | 375 098 X1 | Nut (1/2" NC, Hex.)..... | x |

Notes: (A) - Used Tractor Serial Number 1446 001 257 and up.
 (B) - Used prior to Tractor Serial Number 1446 001 257.
 (C) - Used Tractor Serial Number 1446 006 016 and up.
 (D) - Used prior to Tractor Serial Number 1446 006 016.

ENGINE AND FUEL TANK

F1192-1

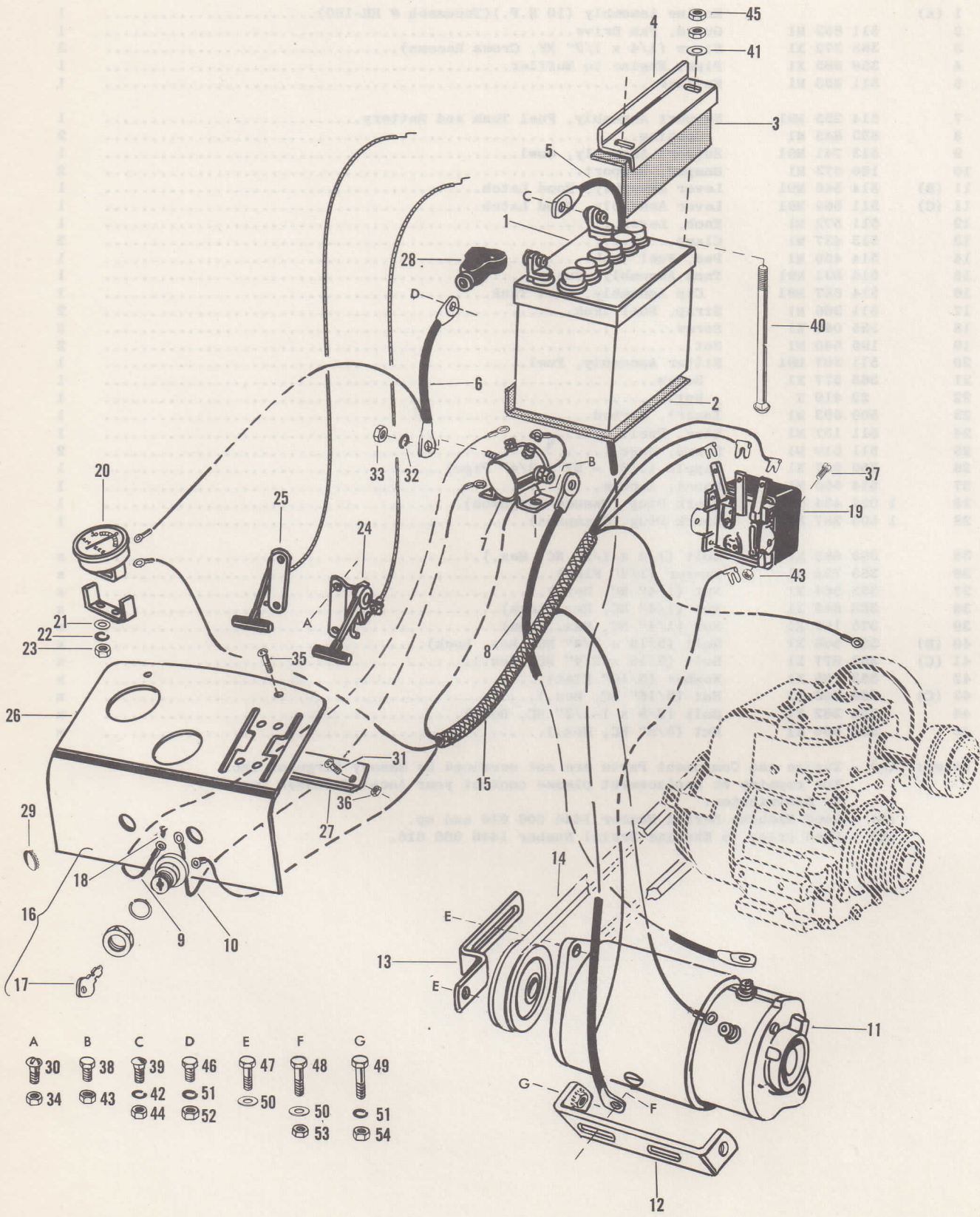


ENGINE AND FUEL TANK

| Ref. No. | Part No. | Description | No. Req. |
|----------|---------------|---|----------|
| 1 (A) | | Engine Assembly (10 H.P.)(Tecumseh # HH-100)..... | 1 |
| 2 | 511 863 M1 | Guard, Fan Drive..... | 1 |
| 3 | 365 372 X1 | Screw (1/4 x 1/2" NF, Cross Recess)..... | 3 |
| 4 | 359 665 X1 | Pipe, Engine to Muffler..... | 1 |
| 5 | 511 253 M1 | Muffler..... | 1 |
| 7 | 514 255 M91 | Support Assembly, Fuel Tank and Battery..... | 1 |
| 8 | 833 845 M1 | Bushing..... | 2 |
| 9 | 513 741 M91 | Support Assembly, Cowl..... | 1 |
| 10 | 180 673 M1 | Bumper, Support..... | 2 |
| 11 (B) | 514 546 M91 | Lever Assembly, Hood Latch..... | 1 |
| 11 (C) | 511 568 M91 | Lever Assembly, Hood Latch..... | 1 |
| 12 | 511 572 M1 | Knob, Lever..... | 1 |
| 13 | 513 437 M1 | Clamp..... | 2 |
| 14 | 514 459 M1 | Pad, Fuel Tank..... | 1 |
| 15 | 514 831 M91 | Tank Assembly, Fuel..... | 1 |
| 16 | 514 687 M91 | Cap Assembly, Fuel Tank..... | 1 |
| 17 | 511 366 M1 | Strap, Fuel Tank..... | 2 |
| 18 | 355 040 X1 | Screw..... | 2 |
| 19 | 195 540 M1 | Nut..... | 2 |
| 20 | 511 367 M91 | Filter Assembly, Fuel..... | 1 |
| 21 | 363 577 X1 | Screw..... | 1 |
| 22 | 22 419 X | Nut..... | 1 |
| 23 | 509 093 M1 | Insert, Barbed..... | 1 |
| 24 | 511 137 M1 | Line, Fuel..... | 1 |
| 25 | 511 519 M1 | Clamp, Hose..... | 2 |
| 26 | 359 557 X1 | Nipple (1/8" - 27 x 3/4" Pipe)..... | 1 |
| 27 | 514 550 M1 | Panel, Access..... | 1 |
| 28 | 1 027 434 M91 | Spark Plug (Massey-Ferguson)..... | 1 |
| 28 | 1 503 287 M91 | Spark Plug (Champion)..... | 1 |
| 35 | 353 665 X1 | Bolt (1/4 x 1/2" NC, Hex.)..... | x |
| 36 | 353 754 X1 | Washer (1/4" Flat)..... | x |
| 37 | 355 564 X1 | Nut (1/4" NC, Hex.)..... | x |
| 38 | 358 645 X1 | Nut (1/4" NC, Hex. Lock)..... | x |
| 39 | 375 107 X1 | Nut (1/4" NC, Hex., Jam)..... | x |
| 40 (B) | 357 346 X1 | Bolt (5/16 x 3/4" NC, Hex. Lock)..... | x |
| 41 (C) | 353 677 X1 | Bolt (5/16 x 3/4" NC, Hex.)..... | x |
| 42 | 353 755 X1 | Washer (5/16" Flat)..... | x |
| 43 (C) | 358 646 X1 | Nut (5/16" NC, Hex.)..... | x |
| 44 | 354 262 X1 | Bolt (3/8 x 1-1/2" NC, Hex.)..... | x |
| 45 | 355 566 X1 | Nut (3/8" NC, Hex.)..... | x |

Notes: (A) - Engine and Component Parts are not serviced by Massey Ferguson Inc. For repairs or replacement please contact your local Tecumseh Dealer or Distributor.
 (B) - Used Machine Serial Number 1446 006 016 and up.
 (C) - Used prior to Machine Serial Number 1446 006 016.

F1193-1



- | | | | | | | |
|----|----|----|----|----|----|----|
| A | B | C | D | E | F | G |
| 30 | 38 | 39 | 46 | 47 | 48 | 49 |
| 34 | 43 | 42 | 51 | 50 | 50 | 51 |
| | | 44 | 52 | | 53 | 54 |

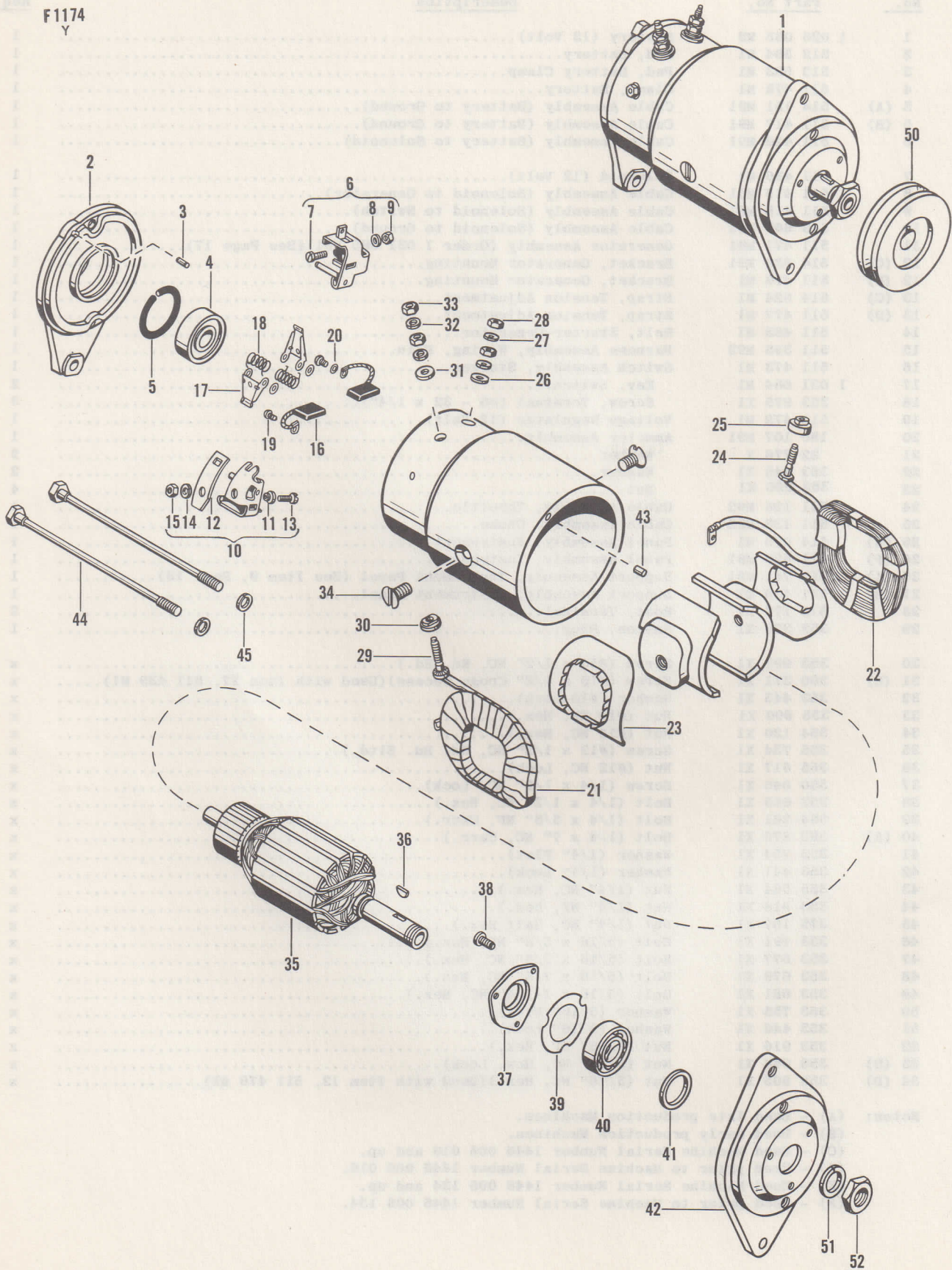
INSTRUMENT PANEL AND WIRING

| Ref. No. | Part No. | Description | No. Req. |
|----------|--------------|---|----------|
| 1 | 1 026 085 M2 | Battery (12 Volt)..... | 1 |
| 2 | 512 584 M1 | Pad, Battery..... | 1 |
| 3 | 512 583 M1 | Pad, Battery Clamp..... | 1 |
| 4 | 511 475 M1 | Clamp, Battery..... | 1 |
| 5 (A) | 514 151 M91 | Cable Assembly (Battery to Ground)..... | 1 |
| 5 (B) | 511 417 M91 | Cable Assembly (Battery to Ground)..... | 1 |
| 6 | 511 416 M91 | Cable Assembly (Battery to Solenoid)..... | 1 |
| 7 | 511 486 M1 | Solenoid (12 Volt)..... | 1 |
| 8 | 511 415 M91 | Cable Assembly (Solenoid to Generator)..... | 1 |
| 9 | 511 418 M91 | Cable Assembly (Solenoid to Switch)..... | 1 |
| 10 | 513 603 M91 | Cable Assembly (Solenoid to Ground)..... | 1 |
| 11 | 511 471 M91 | Generator Assembly (Order 1 031 585 M91)(See Page 17)..... | 1 |
| 12 (C) | 514 622 M91 | Bracket, Generator Mounting..... | 1 |
| 12 (D) | 511 476 M1 | Bracket, Generator Mounting..... | 1 |
| 13 (C) | 514 624 M1 | Strap, Tension Adjustment..... | 1 |
| 13 (D) | 511 477 M1 | Strap, Tension Adjustment..... | 1 |
| 14 | 511 485 M1 | Belt, Starter-Generator..... | 1 |
| 15 | 511 398 M92 | Harness Assembly, Wiring, Main..... | 1 |
| 16 | 511 473 M1 | Switch Assembly, Starter..... | 1 |
| 17 | 1 031 664 M1 | Key, Switch..... | 2 |
| 18 | 353 975 X1 | Screw, Terminal (#8 - 32 x 1/4")..... | 3 |
| 19 | 511 472 M1 | Voltage Regulator (12 Volt)..... | 1 |
| 20 | 180 107 M91 | Ammeter Assembly..... | 1 |
| 21 | 22 776 X | Washer..... | 2 |
| 22 | 353 445 X1 | Washer..... | 2 |
| 23 | 358 990 X1 | Nut..... | 4 |
| 24 | 511 136 M92 | Cable Assembly, Throttle..... | 1 |
| 25 | 511 133 M92 | Cable Assembly, Choke..... | 1 |
| 26 (E) | 514 079 M1 | Panel Assembly, Instrument..... | 1 |
| 26 (F) | 511 426 M91 | Panel Assembly, Instrument..... | 1 |
| 27 (A) | 513 741 M91 | Support Assembly, Instrument Panel (See Item 9, Page 13)..... | 1 |
| 27 (B) | 511 439 M1 | Support Assembly, Instrument Panel..... | 1 |
| 28 | 512 177 M1 | Boot, Terminal..... | 2 |
| 29 | 359 376 X1 | Button, Plug..... | 1 |
| 30 | 353 981 X1 | Screw (#10 x 1/2" NC, Rd. Hd.)..... | x |
| 31 (B) | 360 371 X1 | Screw (#10 x 1/2" Cross Recess)(Used with Item 27, 511 439 M1)..... | x |
| 32 | 353 445 X1 | Washer (#10 Lock)..... | x |
| 33 | 358 990 X1 | Nut (#10 NF, Hex.)..... | x |
| 34 | 354 120 X1 | Nut (#10 NC, Hex.)..... | x |
| 35 | 355 734 X1 | Screw (#12 x 1/2" NC, Rd. Hd. Sltd.)..... | x |
| 36 | 365 617 X1 | Nut (#12 NC, Lock)..... | x |
| 37 | 350 040 X1 | Screw (1/4 x 1/2" NC, Lock)..... | x |
| 38 | 353 665 X1 | Bolt (1/4 x 1/2" NC, Hex.)..... | x |
| 39 | 354 241 X1 | Bolt (1/4 x 5/8" NF, Carr.)..... | x |
| 40 (A) | 363 872 X1 | Bolt (1/4 x 7" NC, Carr.)..... | x |
| 41 | 353 754 X1 | Washer (1/4" Flat)..... | x |
| 42 | 353 441 X1 | Washer (1/4" Lock)..... | x |
| 43 | 355 564 X1 | Nut (1/4" NC, Hex.)..... | x |
| 44 | 353 918 X1 | Nut (1/4" NF, Hex.)..... | x |
| 45 | 375 107 X1 | Nut (1/4" NC, Half Hex.)..... | x |
| 46 | 353 791 X1 | Bolt (5/16 x 5/8" NF, Hex.)..... | x |
| 47 | 353 677 X1 | Bolt (5/16 x 3/4" NC, Hex.)..... | x |
| 48 | 353 678 X1 | Bolt (5/16 x 7/8" NC, Hex.)..... | x |
| 49 | 353 681 X1 | Bolt (5/16 x 1-1/4" NC, Hex.)..... | x |
| 50 | 353 755 X1 | Washer (5/16" Flat)..... | x |
| 51 | 353 446 X1 | Washer (5/16" Lock)..... | x |
| 52 | 353 916 X1 | Nut (5/16" NF, Hex.)..... | x |
| 53 (D) | 358 646 X1 | Nut (5/16" NC, Hex. Lock)..... | x |
| 54 (D) | 355 565 X1 | Nut (5/16" NC, Hex.)(Used with Item 12, 511 476 M1)..... | x |

Notes: (A) - Used late production Machines.
 (B) - Used early production Machines.
 (C) - Used Machine Serial Number 1446 006 016 and up.
 (D) - Used prior to Machine Serial Number 1446 006 016.
 (E) - Used Machine Serial Number 1446 006 134 and up.
 (F) - Used prior to Machine Serial Number 1446 006 134.

STARTER/GENERATOR ASSEMBLY

F1174
Y



1st Print

651 219 M93 (Issue 1) 11/66

| Ref. No. | Part No. | Description | No. Req. |
|----------|---------------|--|----------|
| 1 | 1 031 585 M91 | Starter/Generator Assembly..... | 1 |
| 2 | 1 023 755 M91 | Head Assembly, Commutator End..... | 1 |
| 3 | 1 750 394 M1 | Pin, Dowel..... | 1 |
| 4 | 832 210 M1 | Bearing..... | 1 |
| 5 | 1 016 853 M1 | Ring, Retaining..... | 1 |
| 6 | 1 023 757 M91 | Holder Assembly, Brush (Grounded)..... | 1 |
| 7 | 363 491 X1 | Screw (#12 x 5/8" NC, Rd. Hd.)..... | 1 |
| 8 | 375 142 X1 | Washer (#12 Lock)..... | 1 |
| 9 | 357 516 X1 | Nut (#12 NC, Hex.)..... | 1 |
| 10 | 1 023 758 M91 | Holder Assembly, Brush (Insulated)..... | 1 |
| 11 | | Bushing..... | 1 |
| 12 | | Insulator..... | 1 |
| 13 | 363 491 X1 | Screw (#12 x 5/8" NC, Rd. Hd.)..... | 1 |
| 14 | 375 142 X1 | Washer (#12 Lock)..... | 1 |
| 15 | 357 516 X1 | Nut (#12 NC, Hex.)..... | 1 |
| 16 | 1 031 671 M91 | Brush Assembly..... | 2 |
| 17 | 1 028 573 M1 | Arm, Brush..... | 2 |
| 18 | 1 009 707 M1 | Spring, Arm Brush..... | 2 |
| 19 | 22 343 X | Screw (#6 x 5/16" NC, Rd. Hd.)..... | 2 |
| 20 | 195 441 M1 | Washer (#6 Lock)..... | 2 |
| 21 | 1 031 675 M91 | Coil, Field (R.H.)..... | 1 |
| 22 | 1 031 676 M91 | Coil, Field (L.H.)..... | 1 |
| 23 | 1 509 757 M1 | Insulator, Coil..... | 2 |
| 24 | 1 032 397 M91 | Terminal Assembly, Field Stud..... | 1 |
| 25 | 1 750 480 M1 | Bushing, Stud (Order 1 032 397 M91)..... | 1 |
| 26 | 353 754 X1 | Washer, Flat..... | 1 |
| 27 | 375 142 X1 | Washer (#12 Lock)..... | 2 |
| 28 | 357 516 X1 | Nut (#12 NC, Hex.)..... | 2 |
| 29 | 1 031 677 M1 | Stud, Armature Terminal..... | 1 |
| 30 | 1 009 701 M1 | Bushing, Stud..... | 1 |
| 31 | 353 754 X1 | Washer, Flat..... | 1 |
| 32 | 375 142 X1 | Washer (#12 Lock)..... | 2 |
| 33 | 357 516 X1 | Nut (#12 NF, Hex.)..... | 2 |
| 34 | 363 710 X1 | Screw, Pole Shoe..... | 2 |
| 35 | 1 031 668 M91 | Armature Assembly..... | 1 |
| 36 | 355 465 X1 | Key, #5 Woodruff..... | 1 |
| 37 | 1 028 897 M1 | Plate, Retainer..... | 1 |
| 38 | 1 022 316 M1 | Screw, Plate..... | 3 |
| 39 | 1 750 505 M1 | Gasket, Plate..... | 1 |
| 40 | 834 015 M1 | Bearing, Ball..... | 1 |
| 41 | 1 028 898 M1 | Collar, Drive End Spacer..... | 1 |
| 42 | 1 031 678 M1 | Frame, Drive End..... | 1 |
| 43 | 1 750 396 M1 | Pin, Dowel..... | 1 |
| 44 | 1 509 764 M1 | Bolt, Thru (5/16 x 7-7/8" NC, Hex.)..... | 2 |
| 45 | 353 446 X1 | Washer (5/16" Lock)..... | 2 |
| 50 | 1 032 014 M1 | Pulley, Drive..... | 1 |
| 51 | 355 330 X1 | Washer (3/4" Lock)..... | 1 |
| 52 | 1 006 935 M1 | Nut, Pulley Retaining..... | 1 |

HOOD, GRILLE, STEP PLATES, FENDERS AND SEAT

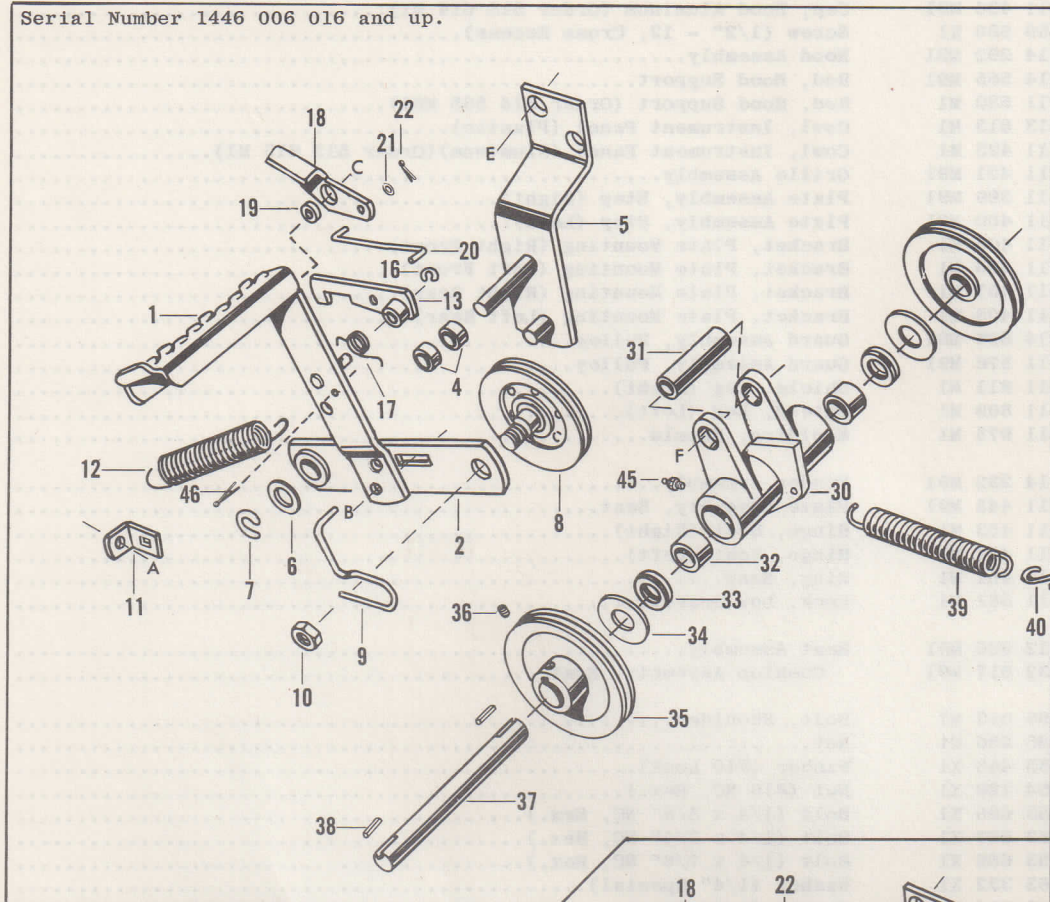
| Ref. No. | Part No. | Description | No. Req. |
|----------|---------------|--|----------|
| 1 | 513 614 M1 | Cap, Hood (Plastic)..... | 1 |
| 2 | 511 430 M91 | Cap, Hood Aluminum (Order 513 614 M1)..... | 1 |
| 3 | 359 530 X1 | Screw (1/2" - 12, Cross Recess)..... | 4 |
| 4 | 514 292 M91 | Hood Assembly..... | 1 |
| 5 | 514 565 M91 | Rod, Hood Support..... | 1 |
| 6 | 511 530 M1 | Rod, Hood Support (Order 514 565 M91)..... | 1 |
| 7 | 513 613 M1 | Cowl, Instrument Panel (Plastic)..... | 1 |
| 8 | 511 423 M1 | Cowl, Instrument Panel (Aluminum)(Order 513 613 M1)..... | 1 |
| 9 | 511 421 M91 | Grille Assembly..... | 1 |
| 10 | 511 399 M91 | Plate Assembly, Step (Right)..... | 1 |
| 11 | 511 400 M91 | Plate Assembly, Step (Left)..... | 1 |
| 12 | 511 405 M1 | Bracket, Plate Mounting (Right Front)..... | 1 |
| 13 | 511 406 M1 | Bracket, Plate Mounting (Left Front)..... | 1 |
| 14 | 511 407 M1 | Bracket, Plate Mounting (Right Rear)..... | 1 |
| 15 | 511 408 M1 | Bracket, Plate Mounting (Left Rear)..... | 1 |
| 16 (A) | 514 626 M91 | Guard Assembly, Pulley..... | 1 |
| 17 (B) | 511 576 M91 | Guard Assembly, Pulley..... | 1 |
| 18 | 511 811 M1 | Shield, Leg (Right)..... | 1 |
| 19 | 511 809 M1 | Shield, Leg (Left)..... | 1 |
| 20 | 511 975 M1 | Moulding, Shield..... | 2 |
| 22 | 514 232 M91 | Fender Assembly..... | 1 |
| 23 | 511 445 M91 | Plate Assembly, Seat..... | 1 |
| 24 | 511 453 M1 | Hinge, Seat (Right)..... | 1 |
| 25 | 511 454 M1 | Hinge, Seat (Left)..... | 1 |
| 26 | 511 451 M1 | Ring, Snap..... | 2 |
| 27 | 511 381 M1 | Lock, Low Gear..... | 1 |
| 30 | 512 606 M91 | Seat Assembly..... | 1 |
| 31 | 1 032 017 M91 | Cushion Assembly, Seat..... | 1 |
| 35 | 196 013 M1 | Bolt,, Shoulder..... | x |
| 36 | 195 256 M1 | Nut..... | x |
| 37 | 353 445 X1 | Washer (#10 Lock)..... | x |
| 38 | 354 120 X1 | Nut (#10 NC, Hex.)..... | x |
| 39 | 353 666 X1 | Bolt (1/4 x 5/8" NC, Hex.)..... | x |
| 40 | 353 667 X1 | Bolt (1/4 x 3/4" NC, Hex.)..... | x |
| 41 | 353 668 X1 | Bolt (1/4 x 7/8" NC, Hex.)..... | x |
| 42 | 363 332 X1 | Washer (1/4" Special)..... | x |
| 43 | 353 754 X1 | Washer (1/4" Flat)..... | x |
| 44 | 353 441 X1 | Washer (1/4" Lock)..... | x |
| 45 | 355 564 X1 | Nut (1/4" NC, Hex.)..... | x |
| 46 | 353 677 X1 | Bolt (5/16 x 3/4" NC, Hex.)..... | x |
| 47 | 364 954 X1 | Bolt (5/16 x 7/8" NC, Carr.)..... | x |
| 48 | 364 534 X1 | Bolt (5/16 x 1" NC, Carr.)..... | x |
| 49 | 364 959 X1 | Bolt (5/16 x 2-1/2" NC, Carr.)..... | x |
| 50 | 832 035 M1 | Washer (5/16" Flat, Special)..... | x |
| 51 | 353 755 X1 | Washer (5/16" Flat)..... | x |
| 52 | 358 646 X1 | Nut (5/16" NC, Hex. Lock)..... | x |
| 53 | 355 565 X1 | Nut (5/16" NC, Hex.)..... | x |
| 54 | 353 896 X1 | Bolt (3/8 x 3" NC, Hex.)..... | x |
| 55 | 365 617 X1 | Nut and Lock Washer Assembly (#12 NC)..... | x |

Notes: (A) - Used Machine Serial Number 1446 006 016 and up.
 (B) - Used prior to Machine Serial Number 1446 006 016.

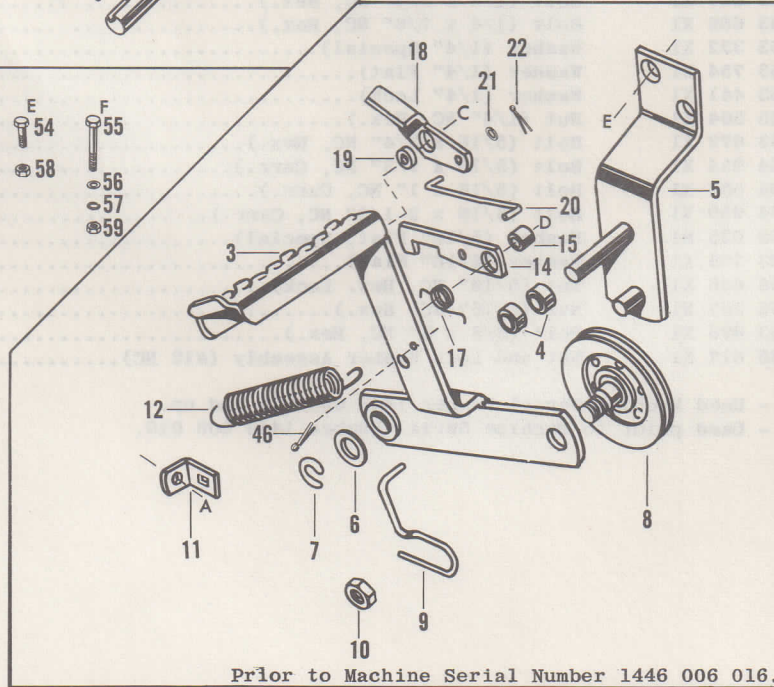
ATTACHMENT CLUTCH AND DRIVE

F1337

Serial Number 1446 006 016 and up.



| | | | | | |
|----|----|----|----|----|----|
| A | B | C | D | E | F |
| 47 | 48 | 49 | 50 | 54 | 55 |
| 52 | 51 | 51 | 51 | 58 | 56 |
| 53 | 52 | 52 | 52 | | 57 |
| | 53 | 53 | 53 | | 59 |



Prior to Machine Serial Number 1446 006 016.

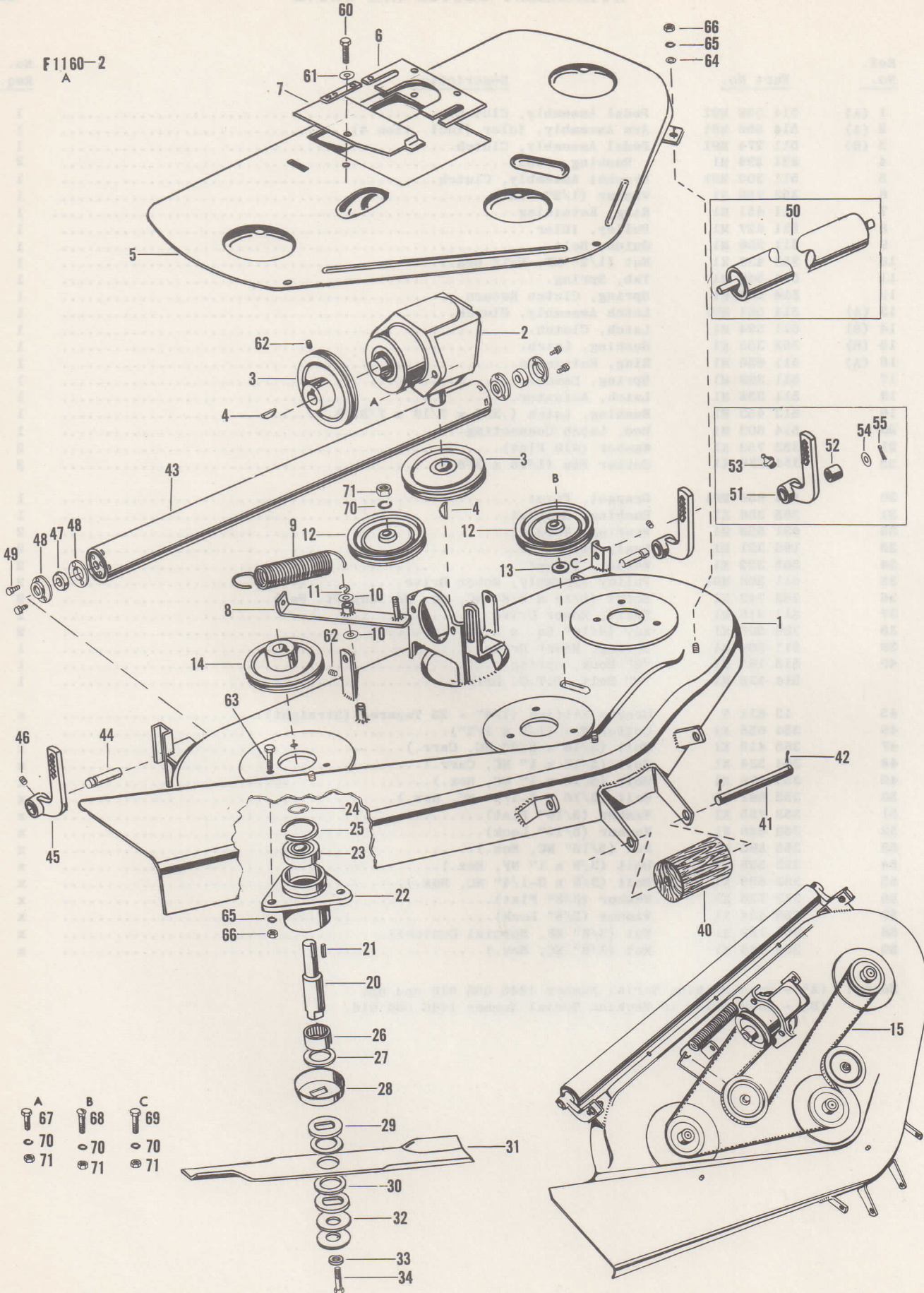
ATTACHMENT CLUTCH AND DRIVE

| Ref. No. | Part No. | Description | No. Req. |
|----------|-------------|--|----------|
| 1 (A) | 514 558 M91 | Pedal Assembly, Clutch..... | 1 |
| 2 (A) | 514 556 M91 | Arm Assembly, Idler (Incl. item 4)..... | 1 |
| 3 (B) | 511 274 M91 | Pedal Assembly, Clutch..... | 1 |
| 4 | 831 229 M1 | Bushing, Pedal..... | 2 |
| 5 | 511 300 M91 | Bracket Assembly, Clutch..... | 1 |
| 6 | 353 758 X1 | Washer (1/2" Flat)..... | 1 |
| 7 | 511 451 M1 | Ring, Retaining..... | 1 |
| 8 | 511 627 M1 | Pulley, Idler..... | 1 |
| 9 | 511 326 M1 | Guide, Belt..... | 1 |
| 10 | 353 438 X1 | Nut (1/2" NF, Half Hex.)..... | 1 |
| 11 | 514 248 M1 | Tab, Spring..... | 1 |
| 12 | 514 208 M1 | Spring, Clutch Return..... | 1 |
| 13 (A) | 514 561 M91 | Latch Assembly, Clutch..... | 1 |
| 14 (B) | 511 324 M1 | Latch, Clutch..... | 1 |
| 15 (B) | 365 355 X1 | Bushing, Latch..... | 1 |
| 16 (A) | 511 630 M1 | Ring, Retaining..... | 1 |
| 17 | 511 329 M1 | Spring, Latch..... | 1 |
| 18 | 511 338 M1 | Latch, Actuator..... | 1 |
| 19 | 513 453 M1 | Bushing, Latch (.339 x 7/16 x 7/32")..... | 1 |
| 20 | 514 603 M1 | Rod, Latch Connecting..... | 1 |
| 21 | 353 753 X1 | Washer (#10 Flat)..... | 2 |
| 22 | 354 039 X1 | Cotter Pin (1/16 x 3/8")..... | 2 |
| 30 | 514 959 M91 | Bracket, Pivot..... | 1 |
| 31 | 365 356 X1 | Bushing, Bracket..... | 1 |
| 32 | 831 529 M1 | Bearing, Needle..... | 2 |
| 33 | 195 321 M1 | Seal, Oil..... | 2 |
| 34 | 365 322 X1 | Washer, Thrust..... | 2 |
| 35 | 511 306 M91 | Pulley Assembly, Mower Drive..... | 2 |
| 36 | 353 743 X1 | Screw (5/16 x 3/8" NC, Sq. Hd. Cup Pt. Set)..... | 2 |
| 37 | 511 316 M1 | Shaft, Mower Drive..... | 1 |
| 38 | 360 565 X1 | Key (3/16" Sq. x 3/4")..... | 2 |
| 39 | 511 304 M1 | Spring, Mower Drive..... | 1 |
| 40 | 515 165 M1 | "S" Hook, Spring..... | 1 |
| | 514 132 M1 | "V" Belt, P.T.O. Drive..... | 1 |
| 45 | 13 811 X | Grease Fitting (1/4" - 28 Tapered) (Straight)..... | x |
| 46 | 354 055 X1 | Cotter Pin (1/8 x 1/2")..... | x |
| 47 | 365 415 X1 | Bolt (5/16 x 5/8" NC, Carr.)..... | x |
| 48 | 364 534 X1 | Bolt (5/16 x 1" NC, Carr.)..... | x |
| 49 | 353 679 X1 | Bolt (5/16 x 1" NC, Hex.)..... | x |
| 50 | 353 681 X1 | Bolt (5/16 x 1-1/4" NC, Hex.)..... | x |
| 51 | 353 755 X1 | Washer (5/16" Flat)..... | x |
| 52 | 353 446 X1 | Washer (5/16" Lock)..... | x |
| 53 | 355 565 X1 | Nut (5/16" NC, Hex.)..... | x |
| 54 | 353 538 X1 | Bolt (3/8 x 1" NF, Hex.)..... | x |
| 55 | 353 898 X1 | Bolt (3/8 x 3-1/4" NC, Hex.)..... | x |
| 56 | 353 756 X1 | Washer (3/8" Flat)..... | x |
| 57 | 353 434 X1 | Washer (3/8" Lock)..... | x |
| 58 | 364 189 X1 | Nut (3/8" NF, Special Conical)..... | x |
| 59 | 355 566 X1 | Nut (3/8" NC, Hex.)..... | x |

Notes: (A) - Used Machine Serial Number 1446 006 016 and up.
 (B) - Used prior to Machine Serial Number 1446 006 016.

MF 610 ROTARY MOWER, 42"

F1160-2
A



1st Print

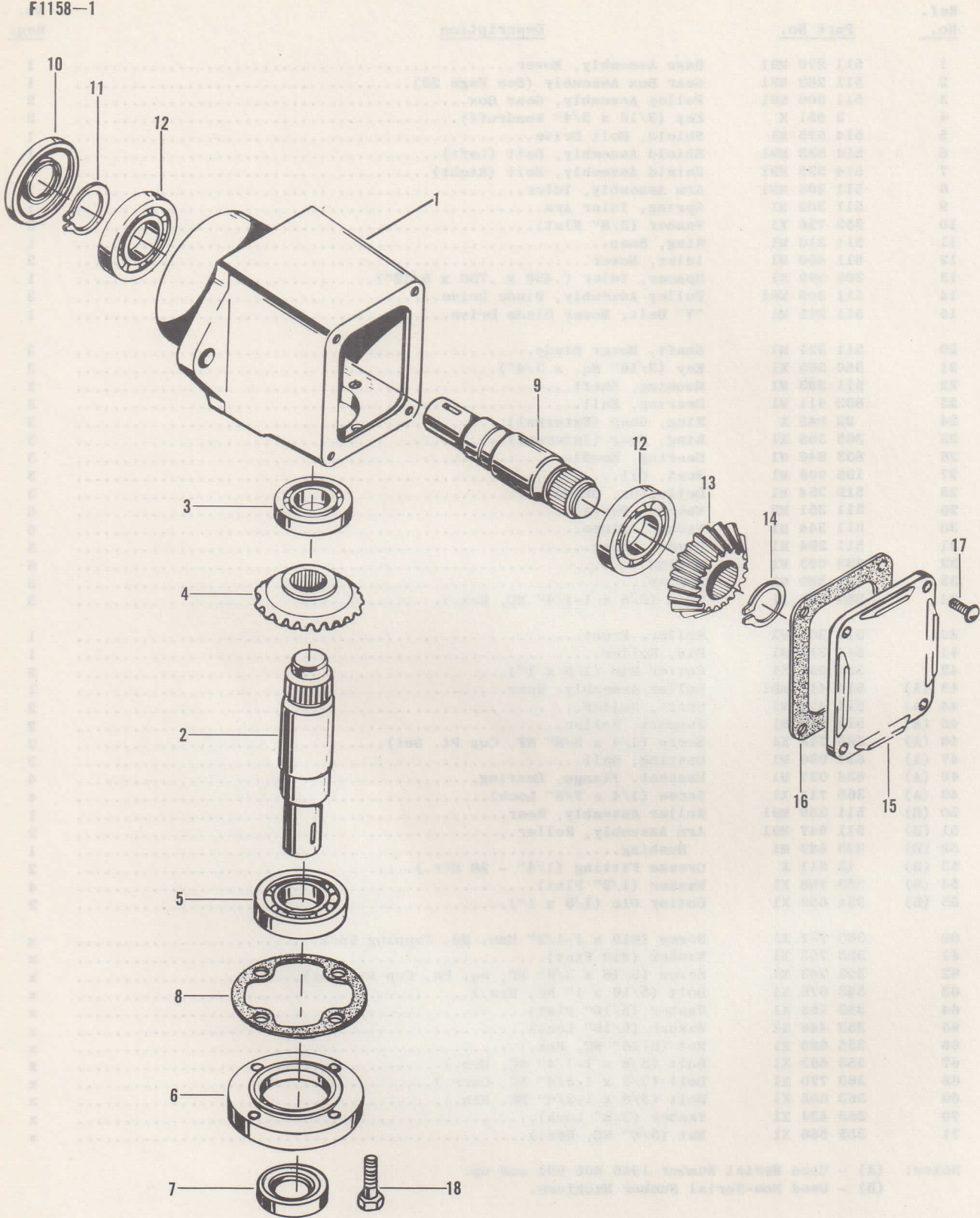
651 219 M93 (Issue 1) 11/66

| Ref. No. | Part No. | Description | No. Req. |
|----------|-------------|--|----------|
| 1 | 511 270 M91 | Base Assembly, Mower..... | 1 |
| 2 | 511 282 M91 | Gear Box Assembly (See Page 25)..... | 1 |
| 3 | 511 306 M91 | Pulley Assembly, Gear Box..... | 2 |
| 4 | 2 951 X | Key (3/16 x 3/4" Woodruff)..... | 2 |
| 5 | 514 575 M1 | Shield, Belt Drive..... | 1 |
| 6 | 514 533 M91 | Shield Assembly, Belt (Left)..... | 1 |
| 7 | 514 535 M91 | Shield Assembly, Belt (Right)..... | 1 |
| 8 | 511 296 M91 | Arm Assembly, Idler..... | 1 |
| 9 | 511 302 M1 | Spring, Idler Arm..... | 1 |
| 10 | 353 756 X1 | Washer (3/8" Flat)..... | 2 |
| 11 | 511 216 M1 | Ring, Snap..... | 1 |
| 12 | 511 450 M1 | Idler, Mower..... | 2 |
| 13 | 365 599 X1 | Spacer, Idler (.438 x .750 x 5/32")..... | 1 |
| 14 | 511 306 M91 | Pulley Assembly, Blade Drive..... | 3 |
| 15 | 511 275 M1 | "V" Belt, Mower Blade Drive..... | 1 |
| 20 | 511 321 M1 | Shaft, Mower Blade..... | 3 |
| 21 | 360 565 X1 | Key (3/16" Sq. x 3/4")..... | 3 |
| 22 | 511 283 M1 | Housing, Shaft..... | 3 |
| 23 | 833 411 M1 | Bearing, Ball..... | 3 |
| 24 | 22 042 X | Ring, Snap (External)..... | 3 |
| 25 | 365 358 X1 | Ring, Snap (Internal)..... | 3 |
| 26 | 833 846 M1 | Bearing, Needle..... | 3 |
| 27 | 195 908 M1 | Seal, Oil..... | 3 |
| 28 | 512 354 M1 | Deflector, Grass..... | 3 |
| 29 | 511 351 M2 | Washer, Shaft..... | 6 |
| 30 | 511 344 M1 | Washer, Fibre..... | 6 |
| 31 | 511 284 M1 | Blade, Mower..... | 3 |
| 32 | 833 073 M1 | Spring..... | 6 |
| 33 | 511 350 M1 | Washer..... | 3 |
| 34 | 353 693 X1 | Bolt (3/8 x 1-1/4" NC, Hex.)..... | 3 |
| 40 | 511 307 M1 | Roller, Front..... | 1 |
| 41 | 511 318 M1 | Pin, Roller..... | 1 |
| 42 | 354 059 X1 | Cotter Pin (1/8 x 1")..... | 2 |
| 43 (A) | 514 419 M91 | Roller Assembly, Rear..... | 1 |
| 44 (A) | 514 422 M1 | Shaft, Roller..... | 2 |
| 45 (A) | 511 273 M1 | Support, Roller..... | 2 |
| 46 (A) | 365 718 X1 | Screw (1/4 x 3/8" NF, Cup Pt. Set)..... | 2 |
| 47 (A) | 834 036 M1 | Bearing, Ball..... | 2 |
| 48 (A) | 834 037 M1 | Bracket, Flange, Bearing..... | 4 |
| 49 (A) | 365 717 X1 | Screw (1/4 x 7/8" Lock)..... | 4 |
| 50 (B) | 511 289 M91 | Roller Assembly, Rear..... | 1 |
| 51 (B) | 511 647 M91 | Arm Assembly, Roller..... | 2 |
| 52 (B) | 833 842 M1 | Bushing..... | 1 |
| 53 (B) | 13 811 X | Grease Fitting (1/4" - 28 Str.)..... | 2 |
| 54 (B) | 353 758 X1 | Washer (1/2" Flat)..... | 4 |
| 55 (B) | 354 059 X1 | Cotter Pin (1/8 x 1")..... | 2 |
| 60 | 365 737 X1 | Screw (#10 x 1-1/2" Hex. Hd. Tapping Lock)..... | x |
| 61 | 353 753 X1 | Washer (#10 Flat)..... | x |
| 62 | 353 743 X1 | Screw (5/16 x 3/8" NC, Sq. Hd. Cup Pt. Set)..... | x |
| 63 | 353 679 X1 | Bolt (5/16 x 1" NC, Hex.)..... | x |
| 64 | 353 755 X1 | Washer (5/16" Flat)..... | x |
| 65 | 353 446 X1 | Washer (5/16" Lock)..... | x |
| 66 | 355 565 X1 | Nut (5/16" NC, Hex.)..... | x |
| 67 | 353 693 X1 | Bolt (3/8 x 1-1/4" NC, Hex.)..... | x |
| 68 | 363 770 X1 | Bolt (3/8 x 1-3/4" NC, Carr.)..... | x |
| 69 | 363 905 X1 | Bolt (3/8 x 1-3/4" NC, Hex.)..... | x |
| 70 | 353 434 X1 | Washer (3/8" Lock)..... | x |
| 71 | 355 566 X1 | Nut (3/8" NC, Hex.)..... | x |

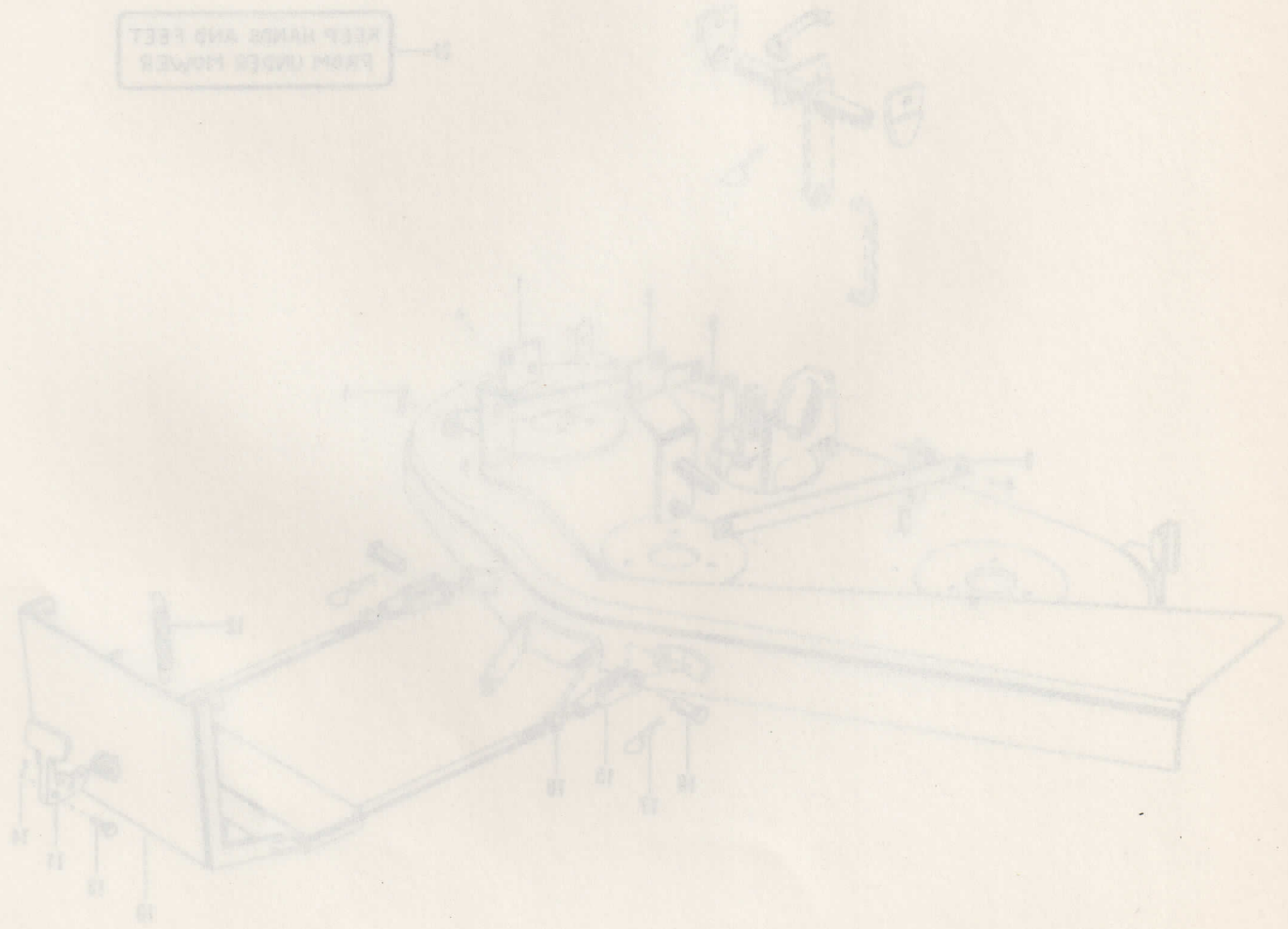
Notes: (A) - Used Serial Number 1446 800 001 and up.
(B) - Used Non-Serial Number Machines.

MOWER GEAR BOX ASSEMBLY







F1158-1

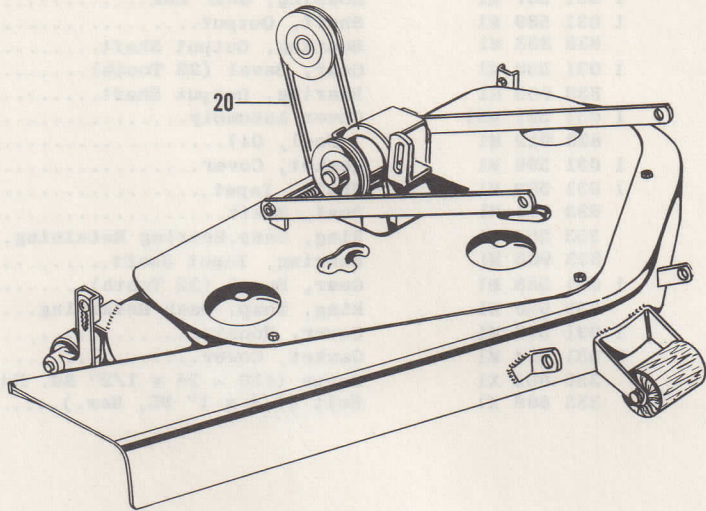


| Ref. No. | Part No. | Description | No. Req. |
|----------|---------------|--------------------------------------|----------|
| | 511 282 M91 | Gear Box Assembly, Mower..... | 1 |
| 1 | 1 031 587 M1 | Housing, Gear Box..... | 1 |
| 2 | 1 031 589 M1 | Shaft, Output..... | 1 |
| 3 | 833 383 M1 | Bearing, Output Shaft..... | 1 |
| 4 | 1 031 588 M1 | Gear, Bevel (22 Tooth)..... | 1 |
| 5 | 833 905 M1 | Bearing, Output Shaft..... | 1 |
| 6 | 1 031 591 M91 | Cover Assembly..... | 1 |
| 7 | 833 912 M1 | Seal, Oil..... | 1 |
| 8 | 1 031 590 M1 | Gasket, Cover..... | 1 |
| 9 | 1 031 592 M1 | Shaft, Input..... | 1 |
| 10 | 833 911 M1 | Seal, Shaft..... | 1 |
| 11 | 353 254 X1 | Ring, Snap, Bearing Retaining..... | 1 |
| 12 | 833 905 M1 | Bearing, Input Shaft..... | 2 |
| 13 | 1 031 588 M1 | Gear, Bevel (22 Tooth)..... | 1 |
| 14 | 352 980 X1 | Ring, Snap, Gear Retaining..... | 1 |
| 15 | 1 031 593 M1 | Cover, Housing..... | 1 |
| 16 | 1 031 594 M1 | Gasket, Cover..... | 1 |
| 17 | 355 862 X1 | Screw (#10 - 24 x 1/2" Rd. Hd.)..... | x |
| 18 | 353 669 X1 | Bolt (1/4 x 1" NC, Hex.)..... | x |

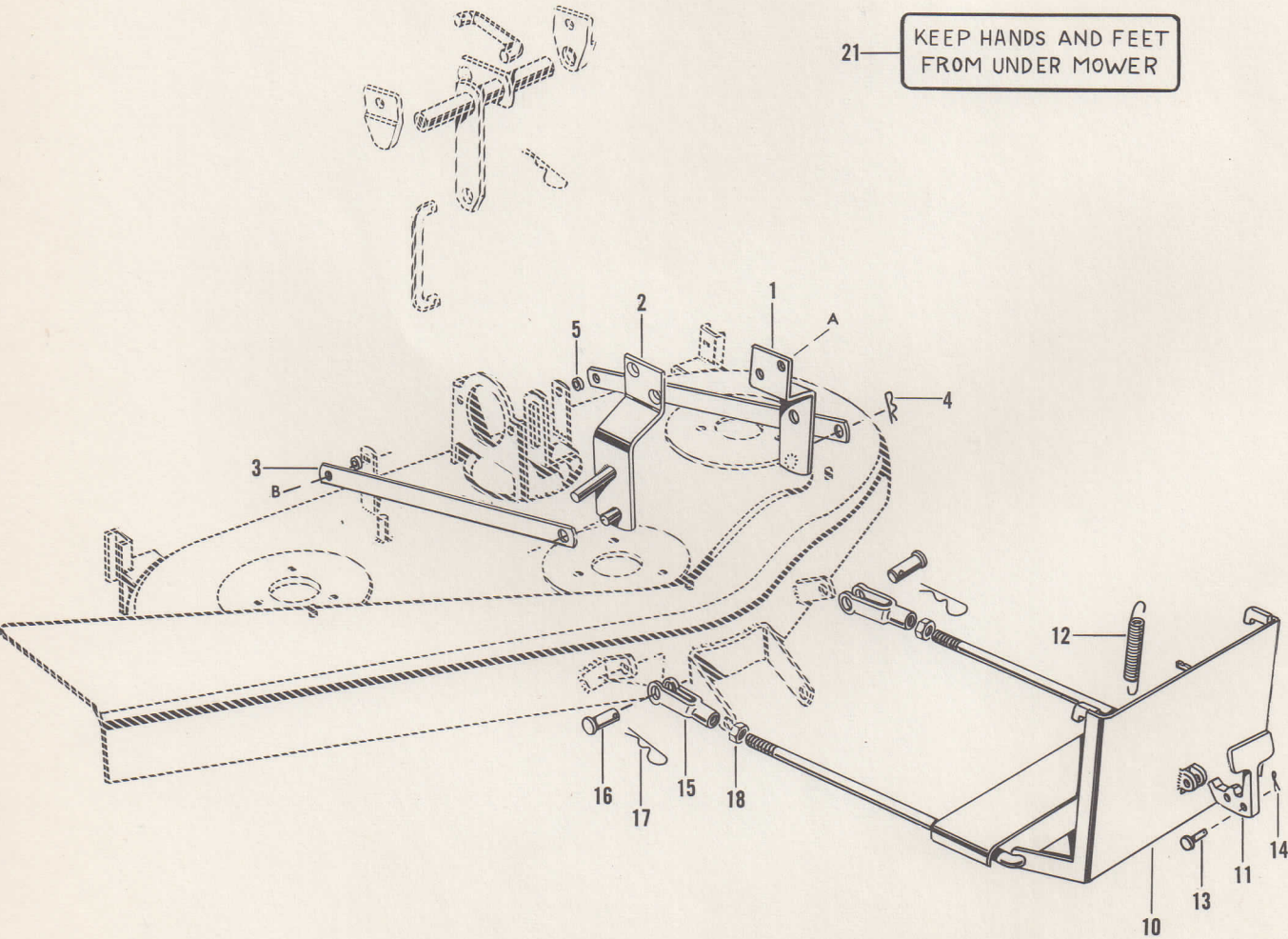


F1161-2
A

- | | |
|--|--|
| A | B |
|  25 |  26 |
|  30 |  27 |
| |  28 |
| |  29 |

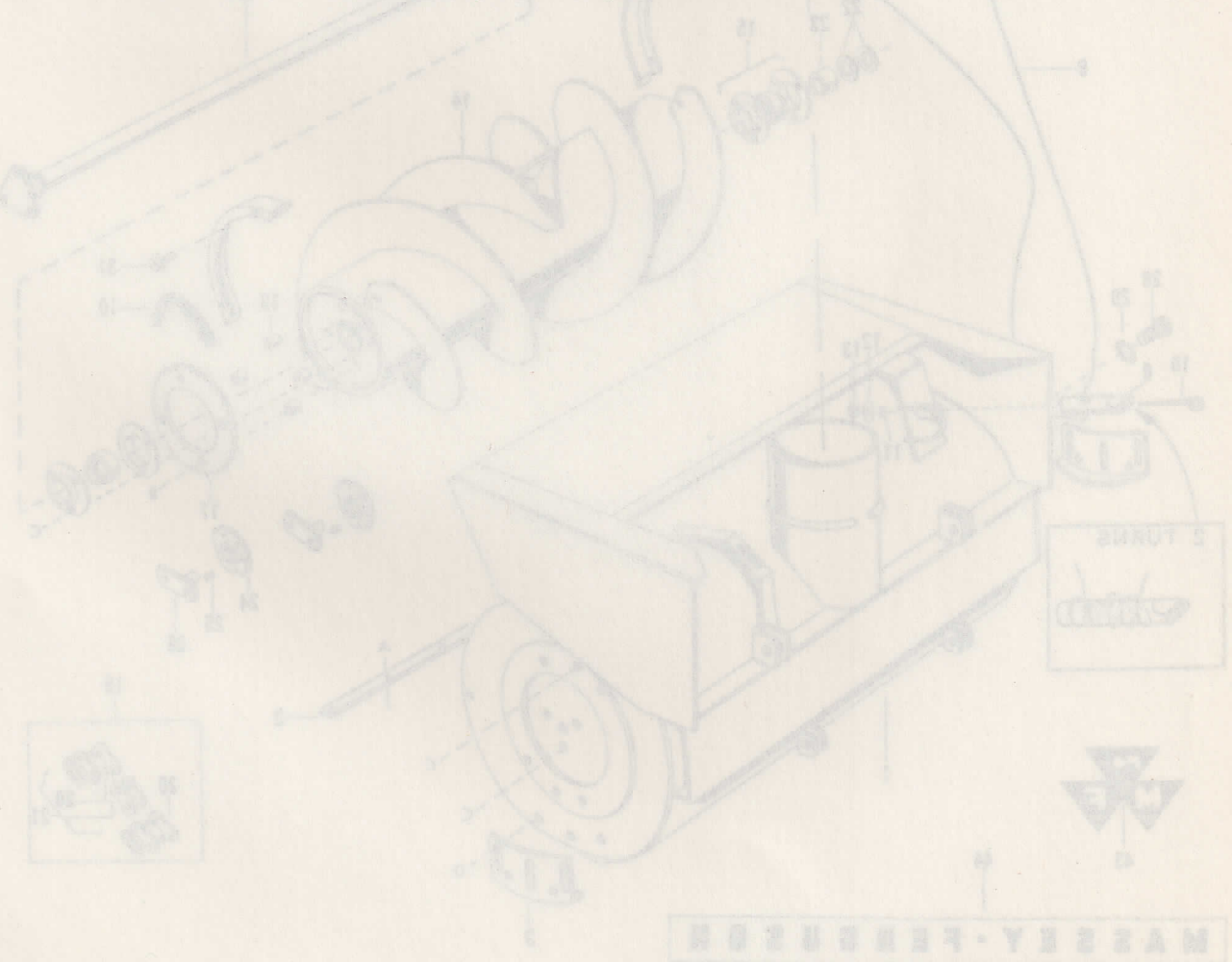


21— KEEP HANDS AND FEET FROM UNDER MOWER

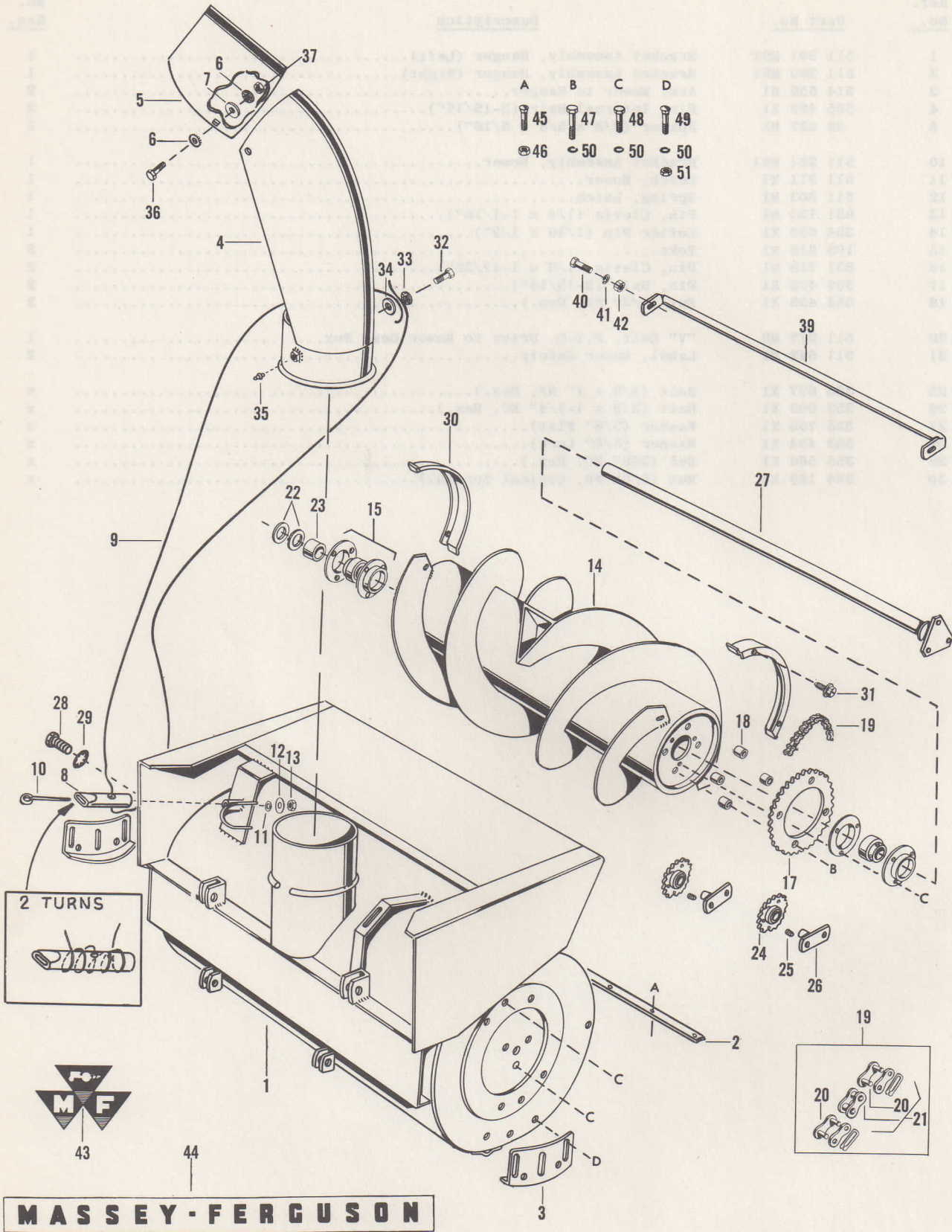


MOWER ATTACHING PARTS

| Ref. No. | Part No. | Description | No. Req. |
|----------|-------------|---|----------|
| 1 | 511 301 M91 | Bracket Assembly, Hanger (Left)..... | 1 |
| 2 | 511 300 M91 | Bracket Assembly, Hanger (Right)..... | 1 |
| 3 | 514 559 M1 | Arm, Mower to Hanger..... | 2 |
| 4 | 365 402 X1 | Pin, Internal Hair (2-15/16")..... | 2 |
| 5 | 80 027 M1 | Spacer (3/8 x 5/8 x 5/16")..... | 2 |
| 10 | 511 281 M91 | Bracket Assembly, Mower..... | 1 |
| 11 | 511 311 M1 | Latch, Mower..... | 1 |
| 12 | 511 303 M1 | Spring, Latch..... | 1 |
| 13 | 831 130 M1 | Pin, Clevis (1/4 x 1-1/16")..... | 1 |
| 14 | 354 039 X1 | Cotter Pin (1/16 x 1/2")..... | 1 |
| 15 | 195 215 M1 | Yoke..... | 2 |
| 16 | 831 718 M1 | Pin, Clevis (1/2 x 1-17/32")..... | 2 |
| 17 | 365 402 X1 | Pin, Hair (2-15/16")..... | 2 |
| 18 | 353 438 X1 | Nut (1/2" NF, Hex.)..... | 2 |
| 20 | 511 277 M2 | "V" Belt, P.T.O. Drive to Mower Gear Box..... | 1 |
| 21 | 511 642 M1 | Label, Mower Safety..... | 2 |
| 25 | 365 677 X1 | Bolt (3/8 x 1" NF, Hex.)..... | x |
| 26 | 353 693 X1 | Bolt (3/8 x 1-1/4" NC, Hex.)..... | x |
| 27 | 353 756 X1 | Washer (3/8" Flat)..... | x |
| 28 | 353 434 X1 | Washer (3/8" Lock)..... | x |
| 29 | 355 566 X1 | Nut (3/8" NC, Hex.)..... | x |
| 30 | 364 189 X1 | Nut (3/8" NF, Conical Special)..... | x |



F1326

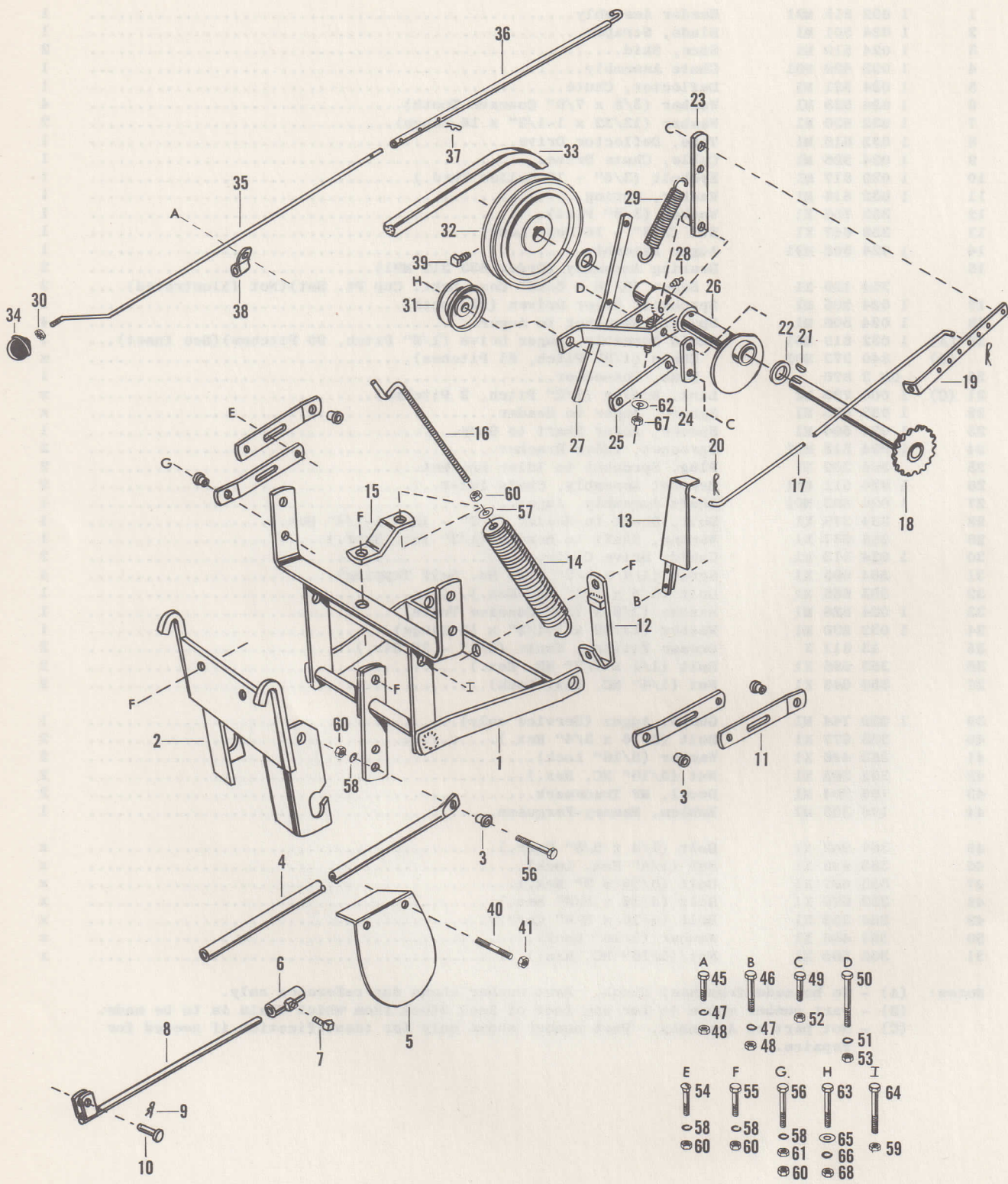


MF 620 SNOW THROWER

| Ref. No. | Part No. | Description | No. Req. |
|----------|---------------|--|----------|
| 1 | 1 032 815 M91 | Header Assembly..... | 1 |
| 2 | 1 024 501 M1 | Blade, Scraper..... | 1 |
| 3 | 1 024 519 M1 | Shoe, Skid..... | 2 |
| 4 | 1 032 829 M91 | Chute Assembly..... | 1 |
| 5 | 1 024 521 M1 | Deflector, Chute..... | 1 |
| 6 | 1 024 528 M1 | Washer (3/8 x 7/8" Concave Tooth)..... | 4 |
| 7 | 1 032 830 M1 | Washer (13/32 x 1-1/2" x 16 Gauge)..... | 2 |
| 8 | 1 032 816 M1 | Tube, Deflector Drive..... | 1 |
| 9 | 1 024 526 M1 | Cable, Chute Drive..... | 1 |
| 10 | 1 032 817 M1 | Eyebolt (3/8" - 16 Rolled Thrd.)..... | 1 |
| 11 | 1 032 818 M1 | Washer, Spring..... | 1 |
| 12 | 353 756 X1 | Washer (3/8" Flat)..... | 1 |
| 13 | 358 647 X1 | Nut (3/8" - 16 Hex. Lock)..... | 1 |
| 14 | 1 024 502 M91 | Auger Assembly..... | 1 |
| 15 | | Bearing Assembly (Order 833 312 M91)..... | 2 |
| | 354 129 X1 | Screw (5/16 x 5/16" Hex. Sckt. Cup Pt. Set)(Not Illustrated).... | 2 |
| 17 | 1 024 505 M1 | Sprocket, Auger Driven (35 Tooth)..... | 1 |
| 18 | 1 024 506 M1 | Spacer, Sprocket to Auger..... | 4 |
| 19 (A) | 1 032 819 M91 | Chain Assembly, Auger Drive (1/2" Pitch, 90 Pitches)(See Inset)... | 1 |
| (B) | 840 373 M91 | Chain (1/2" Pitch, 81 Pitches)..... | x |
| 20 | GH 3 870 | Link, Connector..... | 1 |
| 21 (C) | 1 000 720 M1 | Link, Roller (1/2" Pitch, 2 Pitches)..... | x |
| 22 | 1 033 675 M1 | Spacer, Auger to Header..... | x |
| 23 | 1 024 504 M1 | Spacer, Auger Shaft to Body..... | 1 |
| 24 | 1 024 512 M91 | Sprocket, Idler Bracket..... | 2 |
| 25 | 365 332 X1 | Plug, Sprocket to Idler Bracket..... | 2 |
| 26 | 1 024 511 M91 | Bracket Assembly, Chain Idler..... | 2 |
| 27 | 1 024 503 M91 | Shaft Assembly, Auger..... | 1 |
| 28 | 354 276 X1 | Bolt, Shaft to Header (1/2" - 13 x 1-1/4" Hex.)..... | 1 |
| 29 | 355 637 X1 | Washer, Shaft to Header (1/2" Int. Skpf.)..... | 1 |
| 30 | 1 024 513 M1 | Guard, Drive Chain..... | 2 |
| 31 | 364 095 X1 | Screw (1/4 x 1/2" Hex. Hd. Self Tapping)..... | 4 |
| 32 | 353 665 X1 | Bolt (1/4 x 1/2" NF, Hex.)..... | 1 |
| 33 | 1 024 528 M1 | Washer (3/8 x 7/8" Concave Tooth)..... | 1 |
| 34 | 1 032 830 M1 | Washer (13/32 x 1-1/2" x 16 Gauge)..... | 1 |
| 35 | 13 811 X | Grease Fitting, Chute (1/4" - 28 Str.)..... | 2 |
| 36 | 353 665 X1 | Bolt (1/4 x 1/2" NF, Hex.)..... | 2 |
| 37 | 358 645 X1 | Nut (1/4" NC, Hex. Lock)..... | 2 |
| 39 | 1 029 744 M1 | Guard, Auger (Service only)..... | 1 |
| 40 | 353 677 X1 | Bolt (5/16 x 3/4" Hex.)..... | 2 |
| 41 | 353 446 X1 | Washer (5/16" Lock)..... | 2 |
| 42 | 355 565 X1 | Nut (5/16" NC, Hex.)..... | 2 |
| 43 | 196 364 M1 | Decal, MF Trademark..... | 2 |
| 44 | 196 355 M1 | Emblem, Massey-Ferguson..... | 1 |
| 45 | 364 942 X1 | Bolt (1/4 x 5/8" Carr.)..... | x |
| 46 | 358 645 X1 | Nut (1/4" Hex. Lock)..... | x |
| 47 | 353 687 X1 | Bolt (5/16 x 2" Hex.)..... | x |
| 48 | 353 676 X1 | Bolt (5/16 x 5/8" Hex.)..... | x |
| 49 | 364 352 X1 | Bolt (5/16 x 3/4" Carr.)..... | x |
| 50 | 353 446 X1 | Washer (5/16" Lock)..... | x |
| 51 | 355 565 X1 | Nut (5/16" NC, Hex.)..... | x |

Notes: (A) - To be made from Reel Stock. Part number shown for reference only.
 (B) - Part number shown is for one foot of Reel Stock from which Chain is to be made.
 (C) - Not part of Assembly. Part number shown only for identification if needed for repairs.

F1327

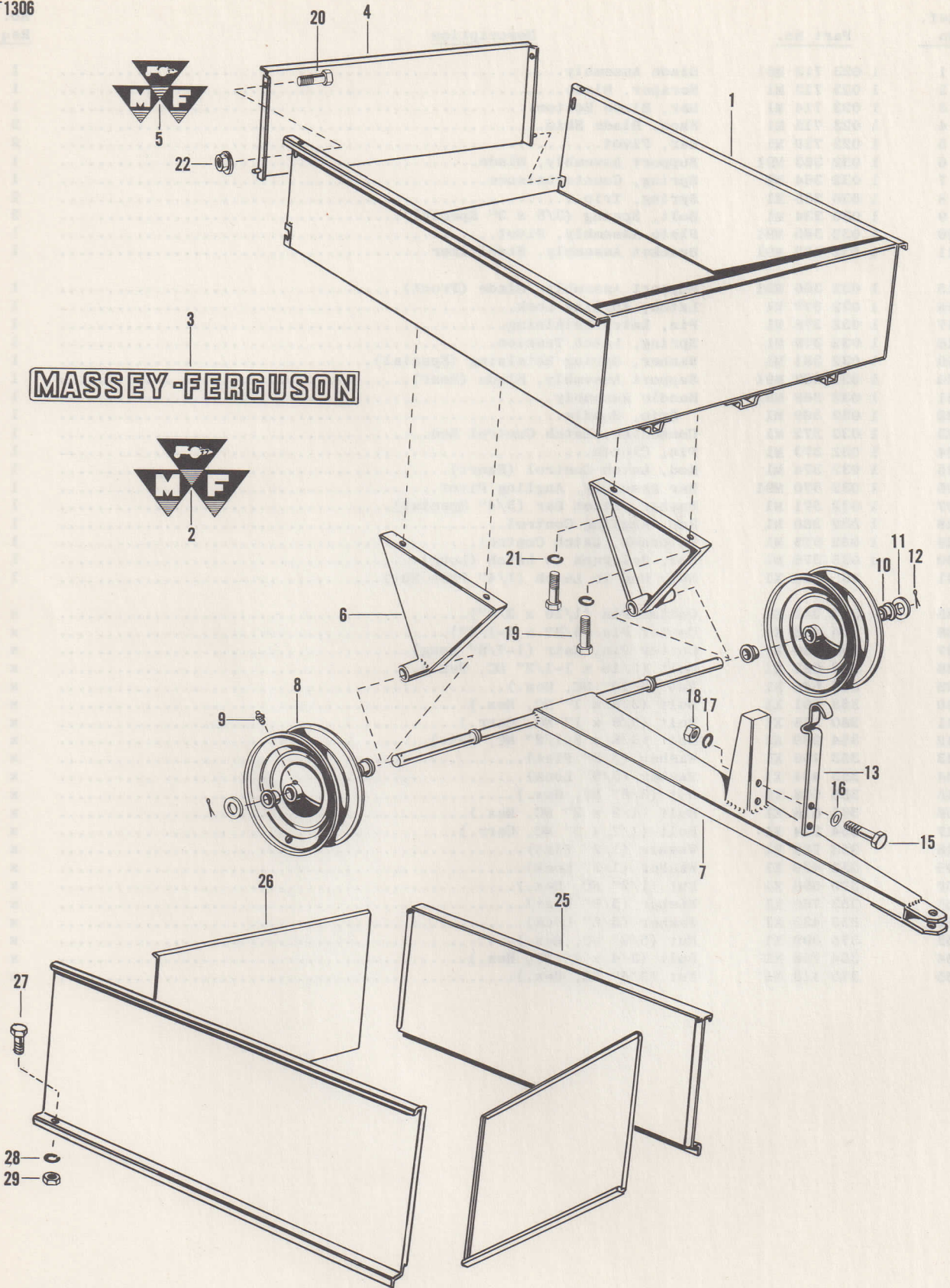


ATTACHING PARTS

| Ref. No. | Part No. | Description | No. Req. |
|-------------|---------------|--|-------------|
| 1 | 1 032 831 M91 | Lift Pivot Assembly..... | 1 |
| 2 | 1 032 834 M91 | Pivot, Mounting Bracket..... | 1 |
| 3 | 1 024 531 M1 | Trunnion..... | 7 |
| 4 | 1 032 835 M1 | Lift Tube..... | 1 |
| 5 | 1 032 844 M91 | Guard, Belt..... | 1 |
| 6 | 1 032 837 M91 | Collar Assembly, Lift Rod..... | 1 |
| 7 | 353 258 X1 | Screw (3/8 x 3/4" Sq. Hd. Cup Pt.)..... | 1 |
| 8 | 1 032 836 M91 | Lift Rod..... | 1 |
| 9 | 364 737 X1 | Pin, Hair, Rod to Lift Lever..... | 1 |
| 10 | 1 029 728 M1 | Pin, Clevis, Rod to Lift Lever..... | 1 |
| 11 | 1 024 530 M1 | Arm, Guide..... | 4 |
| 12 | 1 032 832 M1 | Anchor, Spring..... | 1 |
| 13 | 1 032 838 M91 | Extension, Clutch Pedal Assembly..... | 1 |
| 14 | 1 024 534 M91 | Spring, Lift..... | 1 |
| 15 | 1 032 833 M1 | Guide, Crank..... | 1 |
| 16 | 1 024 535 M1 | Crank, Lift Spring..... | 1 |
| 17 | 1 032 839 M1 | Rod, Clutch..... | 1 |
| 18 | 1 032 821 M91 | Sprocket Assembly, Jack Shaft..... | 1 |
| 19 | 1 032 828 M1 | Bracket, Clutch Control Rod..... | 1 |
| 20 | 1 024 553 M1 | Pin, Hair, Clutch Rod Retaining..... | 2 |
| 21 | 2 951 X | Key, Drive Pulley to Shaft (3/16 x 3/4" Woodruff)..... | 1 |
| 22 | 833 811 M1 | Bushing, Jack Shaft Housing..... | 2 |
| 23 | 1 032 823 M91 | Bracket Assembly, Idler..... | 1 |
| 24 | 1 032 825 M1 | Bracket, Idler..... | 1 |
| 25 | 1 032 826 M1 | Bracket, Spring Anchor..... | 1 |
| 26 | 1 032 820 M91 | Housing Assembly, Jack Shaft..... | 1 |
| 27 | 1 032 824 M1 | Retainer, Belt..... | 1 |
| 28 | 13 811 X | Grease Fitting, Jack Shaft Housing (1/4" - 28 Str.)..... | 2 |
| 29 | 1 032 827 M1 | Spring, Idler..... | 1 |
| 30 | 1 032 845 M1 | Nut, Knob Locking (5/16" Stamped)..... | 1 |
| 31 | 1 024 515 M1 | Pulley, Idler..... | 1 |
| 32 | 1 032 822 M1 | Pulley, Jack Shaft Drive..... | 1 |
| 33 | 1 032 843 M1 | Belt, "V", Blower Drive..... | 1 |
| 34 | 1 024 554 M1 | Knob, Crank Rod..... | 1 |
| 35 | 1 032 841 M1 | Rod, Crank, Chute Turning..... | 1 |
| 36 | 1 032 842 M1 | Extension Assembly, Crank Rod..... | 1 |
| 37 | 364 096 X1 | Pin, Hair, Extension to Rod..... | 1 |
| 38 | 1 032 840 M1 | Guide, Crank Rod..... | 1 |
| 39 | 353 744 X1 | Screw, Set, Pulley to Shaft (5/16 x 1-1/2" Sq. Hd. Cup Pt.)..... | 1 |
| 40 | 834 043 M1 | Stud, Belt Guard Mounting (3/8 x 5" NF)..... | 2 |
| 41 | 355 566 X1 | Nut, Belt Guard Mounting (3/8" NF, Hex.)..... | 6 |
| 45 | 353 667 X1 | Bolt (1/4 x 3/4" NC, Hex.)..... | x |
| 46 | 353 671 X1 | Bolt (1/4 x 1-1/4" NC, Hex.)..... | x |
| 47 | 353 441 X1 | Washer (1/4" Lock)..... | x |
| 48 | 355 564 X1 | Nut (1/4" NC, Hex.)..... | x |
| 49 | 353 677 X1 | Bolt (5/16 x 3/4" NC, Hex.)..... | x |
| 50 | 354 621 X1 | Bolt (5/16 x 3-1/4" NC, Hex.)..... | x |
| 51 | 353 446 X1 | Washer (5/16" Lock)..... | x |
| 52 | 358 646 X1 | Nut (5/16" NC, Lock)..... | x |
| 53 | 355 565 X1 | Nut (5/16" NC, Hex.)..... | x |
| 54 | 364 964 X1 | Bolt (3/8 x 1" NC, Carr.)..... | x |
| 55 | 353 691 X1 | Bolt (3/8 x 1" NC, Hex.)..... | x |
| 56 | 354 262 X1 | Bolt (3/8 x 1-1/2" NC, Hex.)..... | x |
| 57 | 353 756 X1 | Washer (3/8" Flat)..... | x |
| 58 | 353 434 X1 | Washer (3/8" Lock)..... | x |
| 59 | 358 647 X1 | Nut (3/8" NC, Lock)..... | x |
| 60 | 355 566 X1 | Nut (3/8" NC, Half Hex.)..... | x |
| 61 | 354 123 X1 | Nut (3/8" NC, Hex.)..... | x |
| 62 | 353 757 X1 | Washer (7/16" Flat)..... | x |
| 63 | 353 724 X1 | Bolt (1/2 x 1-1/2" NC, Hex.)..... | x |
| 64 | 354 651 X1 | Bolt (1/2 x 2-1/2" NC, Hex.)..... | x |
| 65 | 355 621 X1 | Washer (1/2" Flat, Special)..... | x |
| 66 | 353 439 X1 | Washer (1/2" Lock)..... | x |
| 67 | 375 111 X1 | Nut (1/2" NC, Half Hex.)..... | x |
| 68 | 375 098 X1 | Nut (1/2" NC, Hex.)..... | x |

| Ref. No. | Part No. | Description | No. Req. |
|----------|---------------|---|----------|
| 1 | 1 023 712 M91 | Blade Assembly..... | 1 |
| 2 | 1 023 713 M1 | Scraper, Blade..... | 1 |
| 3 | 1 023 714 M1 | Bar, Blade Bottom..... | 1 |
| 4 | 1 023 715 M1 | Shoe, Blade Skid..... | 2 |
| 5 | 1 023 719 M1 | Bar, Pivot..... | 2 |
| 6 | 1 032 363 M91 | Support Assembly, Blade..... | 1 |
| 7 | 1 032 364 M2 | Spring, Counterbalance..... | 1 |
| 8 | 1 030 235 M1 | Spring, Trip..... | 2 |
| 9 | 1 030 234 M1 | Bolt, Spring (3/8 x 3" Special)..... | 2 |
| 10 | 1 032 365 M91 | Plate Assembly, Pivot..... | 1 |
| 11 | 1 032 382 M91 | Bracket Assembly, Stabilizer..... | 1 |
| 15 | 1 032 366 M91 | Support Assembly, Blade (Front)..... | 1 |
| 16 | 1 032 377 M1 | Latch, Angling Lock..... | 1 |
| 17 | 1 032 378 M1 | Pin, Latch Retaining..... | 1 |
| 18 | 1 032 379 M1 | Spring, Latch Tension..... | 1 |
| 19 | 1 032 381 M1 | Washer, Spring Retaining (Special)..... | 1 |
| 20 | 1 032 367 M91 | Support Assembly, Blade (Rear)..... | 1 |
| 21 | 1 032 368 M91 | Handle Assembly..... | 1 |
| 22 | 1 032 369 M1 | Grip, Handle..... | 1 |
| 23 | 1 032 372 M1 | Connector, Latch Control Rod..... | 1 |
| 24 | 1 032 373 M1 | Pin, Clevis..... | 1 |
| 25 | 1 032 374 M1 | Rod, Latch Control (Short)..... | 1 |
| 26 | 1 032 370 M91 | Bar Assembly, Angling Pivot..... | 1 |
| 27 | 1 032 371 M1 | Washer, Pivot Bar (3/4" Special)..... | 1 |
| 28 | 1 032 380 M1 | Rod, Angling Control..... | 1 |
| 29 | 1 032 375 M1 | Belcrank, Latch Control..... | 1 |
| 30 | 1 032 376 M1 | Rod, Belcrank to Latch (Long)..... | 1 |
| 31 | 365 619 X1 | Nut, Rod to Latch (1/4" Push Nut)..... | 1 |
| 35 | 354 041 X1 | Cotter Pin (1/16 x 3/4")..... | x |
| 36 | 354 068 X1 | Cotter Pin (5/32 x 1-1/4")..... | x |
| 37 | 364 036 X1 | Cotter Pin, Hair (1-7/8" Long)..... | x |
| 38 | 353 683 X1 | Bolt (5/16 x 1-1/2" NC, Hex.)..... | x |
| 39 | 358 646 X1 | Nut (5/16" NC, Hex.)..... | x |
| 40 | 353 691 X1 | Bolt (3/8 x 1" NC, Hex.)..... | x |
| 41 | 360 515 X1 | Bolt (3/8 x 1" NC, Carr.)..... | x |
| 42 | 354 269 X1 | Bolt (3/8 x 2-1/2" NC, Hex.)..... | x |
| 43 | 353 756 X1 | Washer (3/8" Flat)..... | x |
| 44 | 353 434 X1 | Washer (3/8" Lock)..... | x |
| 45 | 355 566 X1 | Nut (3/8" NC, Hex.)..... | x |
| 46 | 365 618 X1 | Bolt (1/2 x 2" NC, Hex.)..... | x |
| 47 | 354 224 X1 | Bolt (1/2 x 3" NC, Carr.)..... | x |
| 48 | 353 758 X1 | Washer (1/2" Flat)..... | x |
| 49 | 353 439 X1 | Washer (1/2" Lock)..... | x |
| 50 | 375 098 X1 | Nut (1/2" NC, Hex.)..... | x |
| 51 | 353 760 X1 | Washer (5/8" Flat)..... | x |
| 52 | 353 433 X1 | Washer (5/8" Lock)..... | x |
| 53 | 375 099 X1 | Nut (5/8" NC, Hex.)..... | x |
| 54 | 354 726 X1 | Bolt (3/4 x 4" NC, Hex.)..... | x |
| 55 | 375 113 X1 | Nut (3/4" NC, Hex.)..... | x |

F1306



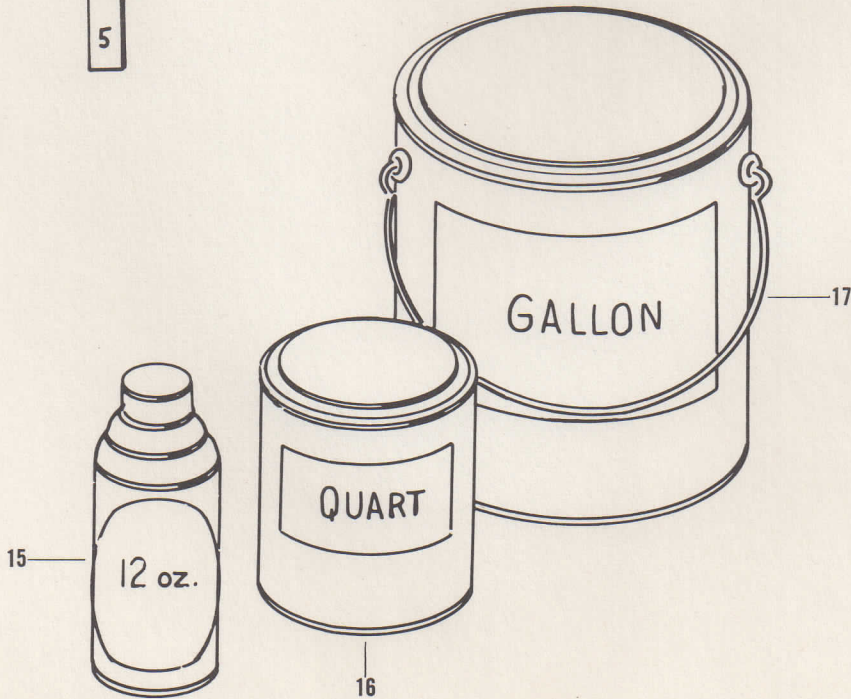
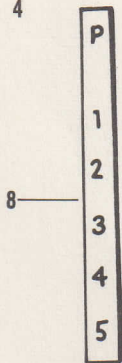
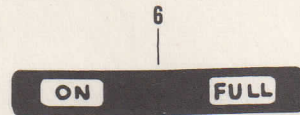
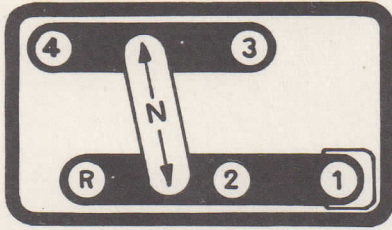
| <u>Ref.</u> <u>No.</u> | <u>Part No.</u> | <u>Description</u> | <u>No.</u> <u>Req.</u> |
|---------------------------|-----------------|--|---------------------------|
| 1 | 1 033 485 M91 | Box Assembly..... | 1 |
| 2 | 196 366 M1 | Decal, MF Trademark..... | 1 |
| 3 | 196 355 M1 | Decal, Massey-Ferguson..... | 2 |
| 4 | 1 033 486 M91 | Tail Gate Assembly..... | 1 |
| 5 | 196 366 M1 | Decal, MF Trademark..... | 1 |
| 6 | 1 033 487 M91 | Pivot Assembly..... | 2 |
| 7 | 1 033 488 M91 | Tongue Assembly..... | 1 |
| 8 | 1 033 557 M91 | Wheel Assembly (takes 4.30 x 8, Tubeless 2 Ply)..... | 2 |
| 9 | 13 811 X | Grease Fitting (1/4" - 28, Str.)..... | 2 |
| 10 | 1 033 556 M1 | Bushing..... | 2 |
| 11 | 17 209 A | Washer..... | 2 |
| 12 | 354 080 X1 | Cotter Pin (3/16 x 1-1/2")..... | 2 |
| 13 | 1 033 490 M1 | Latch, Box Trip..... | 1 |
| 15 | 353 677 X1 | Bolt (5/16 x 3/4" NC, Hex.)..... | x |
| 16 | 353 755 X1 | Washer (5/16" Flat)..... | x |
| 17 | 353 446 X1 | Washer (5/16" Lock)..... | x |
| 18 | 355 565 X1 | Nut (5/16" NC, Hex.)..... | x |
| 19 | 353 896 X1 | Bolt (3/8 x 1/2" NC, Hex.)..... | x |
| 20 | 353 689 X1 | Bolt (3/8 x 3/4" NC, Hex.)..... | x |
| 21 | 353 434 X1 | Washer (3/8" Lock)..... | x |
| 22 | 364 217 X1 | Nut (3/8" Flanged Lock)..... | x |
| SIDE AND END EXTENSIONS | | | |
| 25 | 1 033 531 M1 | Extension, Side..... | 2 |
| 26 | 1 033 532 M1 | Extension, End..... | 2 |
| 27 | 353 665 X1 | Bolt (1/4 x 1/2" NC, Hex.)..... | 2 |
| 28 | 353 441 X1 | Washer (1/4" Lock)..... | 2 |
| 29 | 355 564 X1 | Nut (1/4" NC, Hex.)..... | 2 |

F1175-2
A



MASSEY-FERGUSON

3



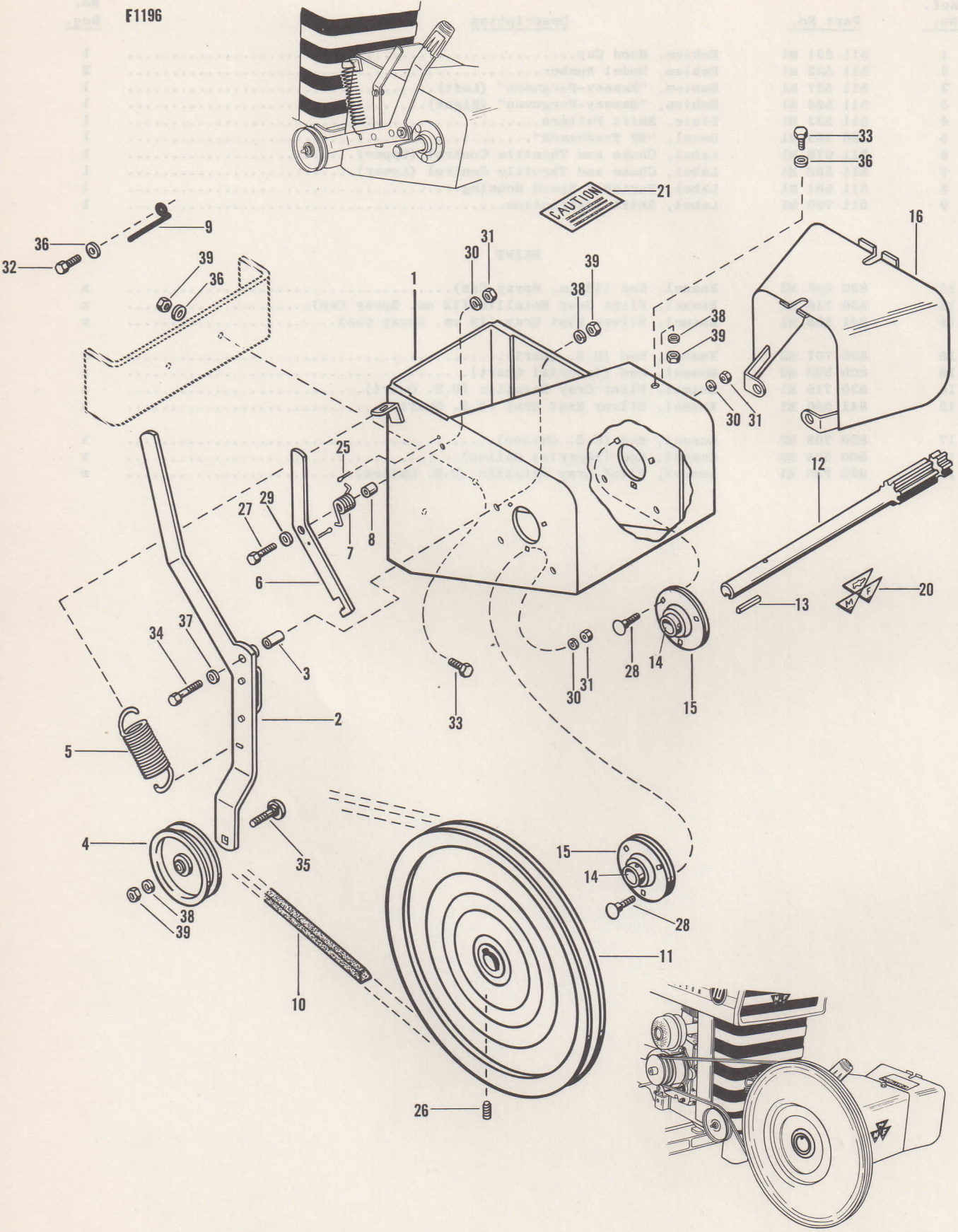
| <u>Ref. No.</u> | <u>Part No.</u> | <u>Description</u> | <u>No. Req.</u> |
|-----------------|-----------------|--|-----------------|
| 1 | 511 531 M1 | Emblem, Hood Cap..... | 1 |
| 2 | 511 532 M1 | Emblem, Model Number..... | 2 |
| 3 | 511 527 M1 | Emblem, "Massey-Ferguson" (Left)..... | 1 |
| 3 | 511 528 M1 | Emblem, "Massey-Ferguson" (Right)..... | 1 |
| 4 | 511 533 M1 | Plate, Shift Pattern..... | 1 |
| 5 | 196 363 M1 | Decal, "MF Trademark"..... | 1 |
| 6 | 511 678 M1 | Label, Choke and Throttle Control (Upper)..... | 1 |
| 7 | 511 582 M1 | Label, Choke and Throttle Control (Lower)..... | 1 |
| 8 | 511 581 M1 | Label, Variable Speed Housing..... | 1 |
| 9 | 511 700 M1 | Label, Shift Instruction..... | 1 |

PAINT

| | | | |
|----|------------|---|---|
| 15 | 830 696 M2 | Enamel, Red (12 oz. Spray Can)..... | x |
| 15 | 830 718 M1 | Enamel, Flint Gray Metallic (12 oz. Spray Can)..... | x |
| 15 | 841 558 M1 | Enamel, Silver Mist Gray (12 oz. Spray Can)..... | x |
| 16 | 830 707 M2 | Enamel, Red (U.S. Quart)..... | x |
| 16 | 800 503 M2 | Enamel, Red (Imperial Quart)..... | x |
| 16 | 830 719 M1 | Enamel, Flint Gray Metallic (U.S. Quart)..... | x |
| 16 | 841 556 M1 | Enamel, Silver Mist Gray (U.S. Quart)..... | x |
| 17 | 830 708 M2 | Enamel, Red (U.S. Gallon)..... | x |
| 17 | 800 504 M2 | Enamel, Red (Imperial Gallon)..... | x |
| 17 | 830 720 M1 | Enamel, Flint Gray Metallic (U.S. Gallon)..... | x |

ACCESSORIES

F1196

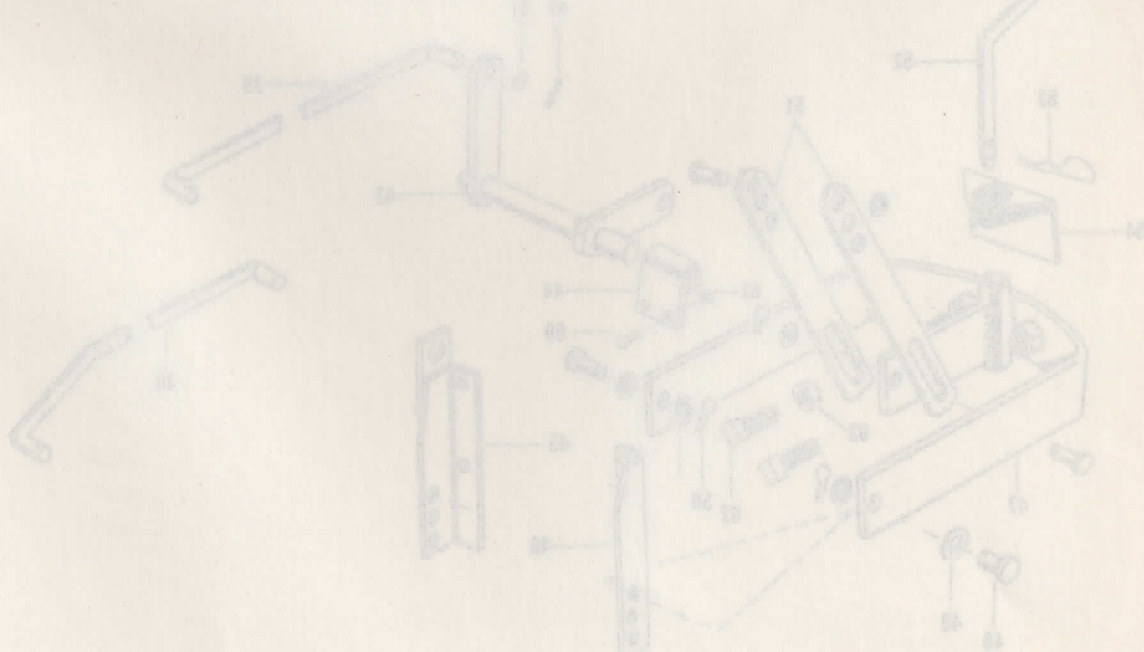


ACCESSORIES

FRONT MOUNTED P.T.O.

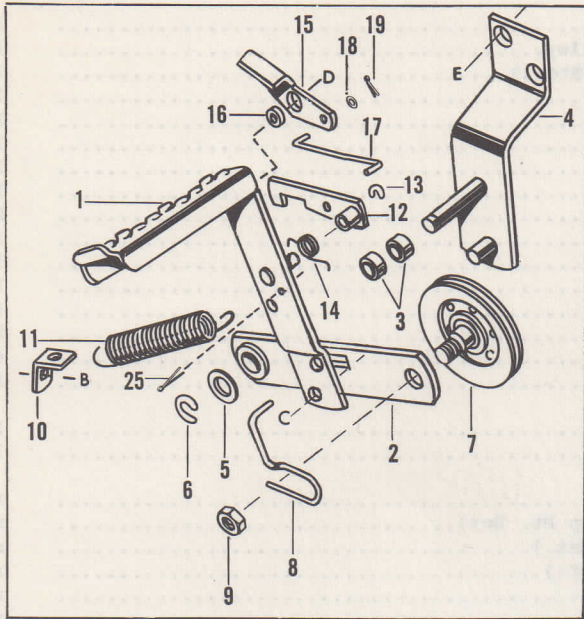
(677 529)

| Ref. No. | Part No. | Description | No. Req. |
|----------|-------------|--|----------|
| 1 | 513 545 M91 | Channel Assembly..... | 1 |
| 2 | 513 549 M91 | Lever Assembly, Idler Pulley..... | 1 |
| 3 | 365 689 X1 | Spacer (13/32 x 1/2 x 1" Steel)..... | 1 |
| 4 | 511 450 M1 | Pulley, Idler..... | 1 |
| 5 | 513 819 M1 | Spring, Idler..... | 1 |
| 6 | 513 552 M91 | Latch Assembly..... | 1 |
| 7 | 511 329 M1 | Spring, Latch..... | 1 |
| 8 | 365 355 X1 | Spacer..... | 1 |
| 9 | 515 069 M1 | Guide, Belt..... | 2 |
| 10 | 513 790 M1 | Belt..... | 1 |
| 11 | 513 561 M1 | Pulley (18" OD)..... | 1 |
| 12 | 513 547 M91 | Shaft Assembly..... | 1 |
| 13 | 22 277 X | Key (1/4 x 1/4 x 1")..... | 1 |
| 14 | 834 000 M1 | Bearing, Ball..... | 2 |
| 15 | 22 286 X | Flange..... | 4 |
| 16 | 507 435 M91 | Guard Assembly..... | 1 |
| 20 | 196 363 M1 | Emblem..... | 1 |
| 21 | 580 481 M1 | Label, Caution..... | 1 |
| 25 | 354 055 X1 | Cotter Pin (1/8 x 1/2")..... | x |
| 26 | 354 379 X1 | Screw (5/16 x 3/4" NC, Cup Pt. Set)..... | x |
| 27 | 353 681 X1 | Bolt (5/16 x 1-1/4" NC, Hex.)..... | x |
| 28 | 360 501 X1 | Bolt (5/16 x 3/4" NC, Carr.)..... | x |
| 29 | 355 618 X1 | Washer (5/16" Flat)..... | x |
| 30 | 353 446 X1 | Washer (5/16" Lock)..... | x |
| 31 | 355 565 X1 | Nut (5/16" NC, Hex.)..... | x |
| 32 | 353 689 X1 | Bolt (3/8 x 3/4" NC, Hex.)..... | x |
| 33 | 353 691 X1 | Bolt (3/8 x 1" NC, Hex.)..... | x |
| 34 | 354 264 X1 | Bolt (3/8 x 1-3/4" NC, Hex.)..... | x |
| 35 | 363 770 X1 | Bolt (3/8 x 1-3/4" NC, Carr.)..... | x |
| 36 | 353 756 X1 | Washer (3/8" Flat)..... | x |
| 37 | 355 619 X1 | Washer (3/8" Flat)..... | x |
| 38 | 353 434 X1 | Washer (3/8" Lock)..... | x |
| 39 | 355 566 X1 | Nut (3/8" NC, Hex.)..... | x |

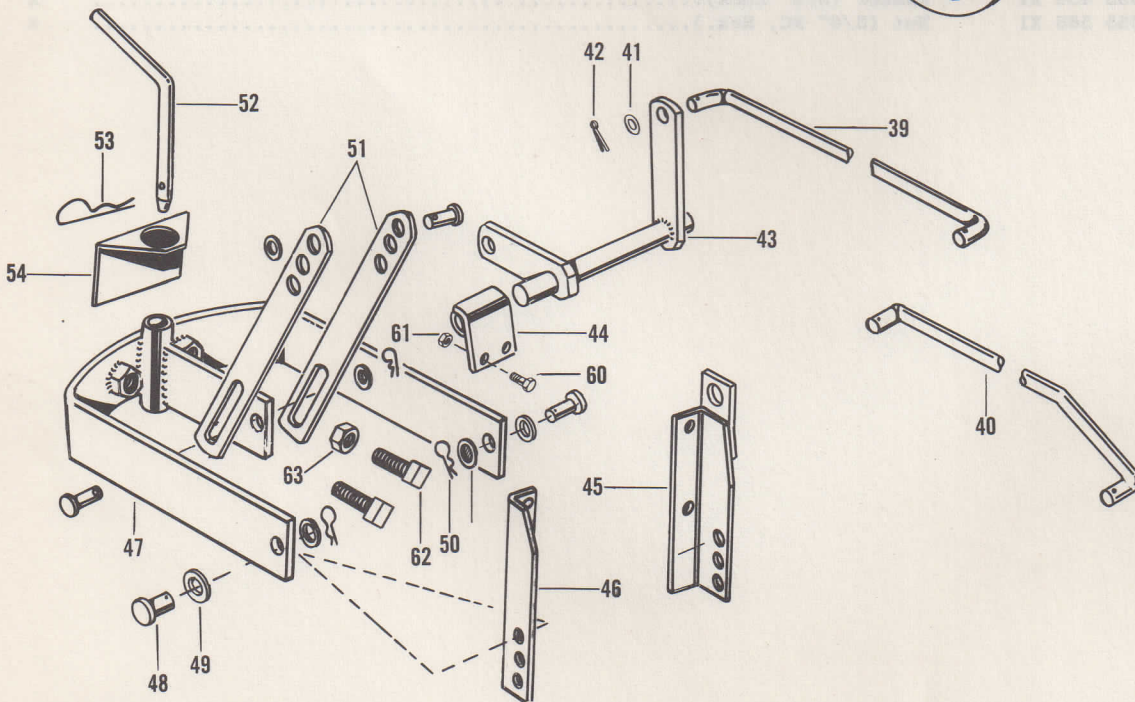
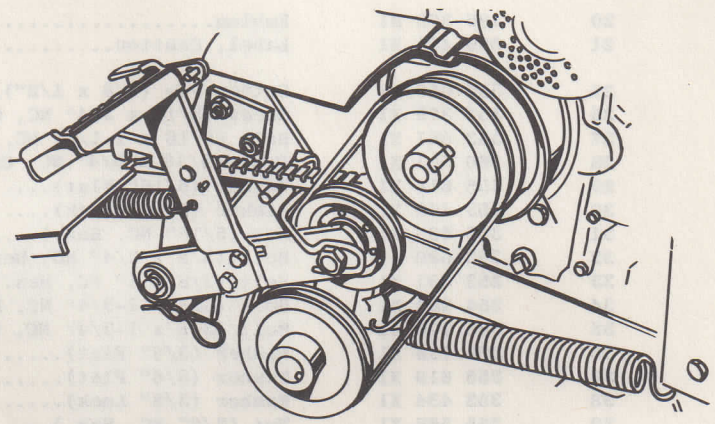


ACCESSORIES

F 1159-2
A



- | B | C | D | E |
|----|----|----|----|
| 26 | 27 | 28 | 32 |
| 30 | 29 | 29 | 33 |
| 31 | 30 | 30 | |
| | 31 | 31 | |



ACCESSORIES

ATTACHMENT CLUTCH PEDAL KIT

(677 530)

| Ref. No. | Part No. | Description | No. Req. |
|----------|-------------|--|----------|
| 1 | 514 558 M91 | Pedal Assembly, Clutch..... | 1 |
| 2 | 514 556 M91 | Arm Assembly, Idler..... | 1 |
| 3 | 831 229 M1 | Bushing, Pedal..... | 2 |
| 4 | 511 300 M91 | Bracket Assembly, Clutch..... | 1 |
| 5 | 353 758 X1 | Washer (1/2" Flat)..... | 1 |
| 6 | 511 451 M1 | Ring, Retaining..... | 1 |
| 7 | 511 627 M1 | Pulley, Idler..... | 1 |
| 8 | 511 326 M1 | Guide, Belt..... | 1 |
| 9 | 353 438 X1 | Nut (1/2" NF, Half Hex.)..... | 1 |
| 10 | 514 248 M1 | Tab, Spring..... | 1 |
| 11 | 514 208 M1 | Spring, Clutch Return..... | 1 |
| 12 | 514 561 M91 | Latch Assembly, Clutch..... | 1 |
| 13 | 511 630 M1 | Ring, Retaining..... | 1 |
| 14 | 511 329 M1 | Spring, Latch..... | 1 |
| 15 | 511 338 M1 | Latch, Actuator..... | 1 |
| 16 | 513 453 M1 | Bushing, Latch (.339 x 7/16 x 7/32")..... | 1 |
| 17 | 514 603 M1 | Rod, Latch Connecting..... | 1 |
| 18 | 353 753 X1 | Washer (#10 Flat)..... | 2 |
| 19 | 354 039 X1 | Cotter Pin (1/16 x 3/8")..... | 2 |
| 25 | 354 055 X1 | Cotter Pin (1/8 x 1/2")..... | x |
| 26 | 365 415 X1 | Bolt (5/16 x 5/8" NC, Rd. Hd. Sq. Neck)..... | x |
| 27 | 364 534 X1 | Bolt (5/16 x 1" NC, Rd. Hd. Sq. Neck)..... | x |
| 28 | 353 679 X1 | Bolt (5/16 x 1" NC, Hex.)..... | x |
| 29 | 353 755 X1 | Washer (5/16" Flat)..... | x |
| 30 | 353 446 X1 | Washer (5/16" Lock)..... | x |
| 31 | 355 565 X1 | Nut (5/16" NC, Hex.)..... | x |
| 32 | 353 538 X1 | Bolt (3/8 x 1" NF, Hex.)..... | x |
| 33 | 364 189 X1 | Nut (3/8" NF, Special Conical)..... | x |

LIFT HITCH

(677 556)

| | | | |
|--------|-------------|---|---|
| 39 (A) | 514 684 M1 | Rod, Hitch Actuating..... | 1 |
| 40 | 511 841 M1 | Rod, Hitch Actuating..... | 1 |
| 41 | 353 758 X1 | Washer, Flat..... | 2 |
| 42 | 354 066 X1 | Cotter Pin (5/32 x 1")..... | 2 |
| 43 | 511 839 M91 | Shaft Assembly, Hitch Lift..... | 1 |
| 44 | 511 846 M91 | Hanger Assembly, Shaft..... | 1 |
| 45 | 511 840 M91 | Bracket Assembly, Mounting (Left)..... | 1 |
| 46 | 511 847 M1 | Bracket, Mounting (Right)..... | 1 |
| 47 | 511 836 M91 | Hitch Assembly..... | 1 |
| 48 | 195 397 M1 | Pin, Clevis..... | x |
| 49 | 353 758 X1 | Washer..... | x |
| 50 | 195 415 M1 | Cotter Pin..... | x |
| 51 | 511 842 M1 | Link, Adjustable..... | 2 |
| 52 | 511 844 M1 | Pin, Hitch..... | 1 |
| 53 | 365 402 X1 | Pin, Hair (Internal)..... | 1 |
| 54 | 511 845 M1 | Stabilizer..... | 1 |
| 60 | 353 678 X1 | Bolt (5/16 x 7/8" NC, Hex.)..... | x |
| 61 | 355 565 X1 | Nut (5/16" NC, Hex.)..... | x |
| 62 | 359 438 X1 | Screw (5/8 x 3" NC, Sq. Hd. Cup Pt. Set)..... | x |
| 63 | 375 112 X1 | Nut (5/8" NC, Half Hex.)..... | x |

HITCH MOUNTING KIT

(677 558)

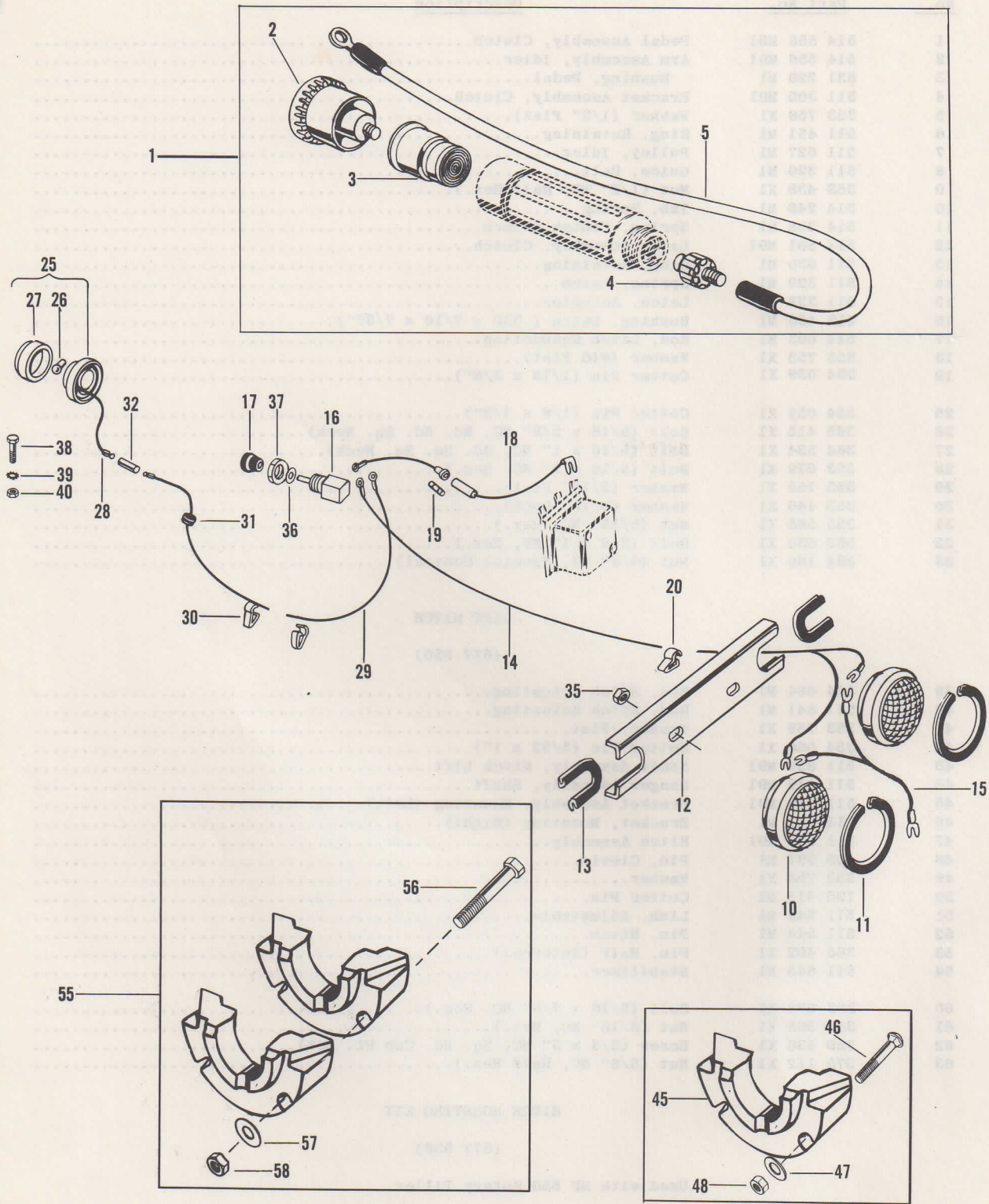
Used with MF 650 Rotary Tiller

(For Repairs order Items 39, 41 thru 46, 677 556 Lift Hitch)

Note: (A) - When using 677 556 Hitch, discard 511 841 M1 Rod.

ACCESSORIES

F1197-1



ACCESSORIES

CIGARETTE LIGHTER

(677 277)

| Ref. No. | Part No. | Description | No. Req. |
|----------|---------------|---------------------------------------|----------|
| 1 | | Lighter Assembly (Order 677 277)..... | 1 |
| 2 | 1 018 444 M91 | Knob Assembly..... | 1 |
| 3 | 1 018 445 M91 | Element Assembly..... | 1 |
| 4 | 1 018 875 M1 | Fuse..... | 1 |
| 5 | 1 022 704 M91 | Wire Assembly..... | 1 |

LIGHTING EQUIPMENT

(677 522)

| | | | |
|----|---------------|--|---|
| 10 | 1 014 949 M91 | Headlamp..... | 2 |
| 11 | 511 976 M1 | Moulding, Headlamp..... | 2 |
| 12 | 511 437 M91 | Bracket Assembly..... | 1 |
| 13 | 511 977 M1 | Moulding..... | 2 |
| 14 | 511 990 M91 | Wire Assembly (Headlamps to Switch)..... | 1 |
| 15 | 511 985 M91 | Wire Assembly (Ground)..... | 1 |
| 16 | 184 989 M91 | Switch Assembly, Light..... | 1 |
| 17 | 186 959 M91 | Knob Assembly, Switch..... | 1 |
| 18 | 511 986 M91 | Wire Assembly (Light Switch to Voltage Regulator)..... | 1 |
| 19 | 239 819 M1 | Fuse (10 Amp.)..... | 1 |
| 20 | 364 316 X1 | Clip, Wire..... | 1 |
| 25 | 511 930 M91 | Light Assembly, Rear..... | 1 |
| 26 | 1 754 622 M1 | Bulb..... | 1 |
| 27 | 1 031 851 M1 | Lens (Red)..... | 1 |
| 28 | 1 750 658 M1 | Terminal, Bullet..... | 1 |
| 29 | 511 991 M91 | Wire Assembly (Rear Light)..... | 1 |
| 30 | 1 750 678 M1 | Clip, Wire..... | 2 |
| 31 | 832 632 M1 | Grommet..... | 1 |
| 32 | 187 531 M91 | Connector, Wire..... | 1 |
| 35 | 355 564 X1 | Nut (1/4" NC, Hex.)..... | x |
| 36 | 1 754 067 M1 | Washer..... | x |
| 37 | 1 754 066 M1 | Nut..... | x |
| 38 | 355 184 X1 | Screw, Rear Light Mounting (#8 - 5/8" Long, NC, Hex.)..... | x |
| 39 | 359 410 X1 | Washer (#8 External Tooth Lock)..... | x |
| 40 | 354 119 X1 | Nut (#8 NC, Hex.)..... | x |

WHEEL COVER KIT

(677 523)

| | | | |
|--|------------|---|---|
| | 512 359 M1 | Kit, Wheel Cover..... | 1 |
| | 512 360 M1 | Cover, Front Wheel (Not Illustrated)..... | 2 |
| | | Cover, Rear Wheel (Not Illustrated)..... | 2 |

TIRE CHAINS

| | | | |
|--|---------|---|---|
| | 677 524 | Tire Chain((4 Link Spacing) for 6-12 Tire (Not Illustrated)(1 Pr.).. | x |
| | 677 525 | Tire Chain (4 Link Spacing) for 23 x 8.50 - 12 Tire (Not Illustrated)(1 Pr.)..... | x |
| | 677 527 | Tire Chain (2 Link Spacing) for 6-12 Tire (Not Illustrated)(1 Pr.).. | x |
| | 677 528 | Tire Chain (2 Link Spacing) for 23 x 8.50 - 12 Tire (Not Illustrated)(1 Pr.)..... | x |

WEIGHT KIT, REAR WHEEL

(677 526)

| | | | |
|----|------------|---|---|
| 45 | 511 864 M1 | Weight, Rear Wheel (Order 677 526)..... | 4 |
| 46 | 364 982 X1 | Bolt (1/4 x 3-3/4" NC, Hex.)..... | 8 |
| 47 | 353 758 X1 | Washer (1/2" Flat)..... | 8 |
| 48 | 375 098 X1 | Nut (1/2" NC, Hex.)..... | 8 |

REAR WHEEL WEIGHT MOUNTING KIT

(677 555)

| | | | |
|----|------------|---|----|
| 55 | | Kit, Wheel Weight Mounting (Order 677 555)(Used w/677 526)..... | 1 |
| 56 | 355 891 X1 | Bolt (1/2 x 7" NC, Hex.)..... | 8 |
| 57 | 353 758 X1 | Washer (1/2" Flat)..... | 16 |
| 58 | 375 098 X1 | Nut (1/2" NC, Hex.)..... | 8 |