



# Parts Manual

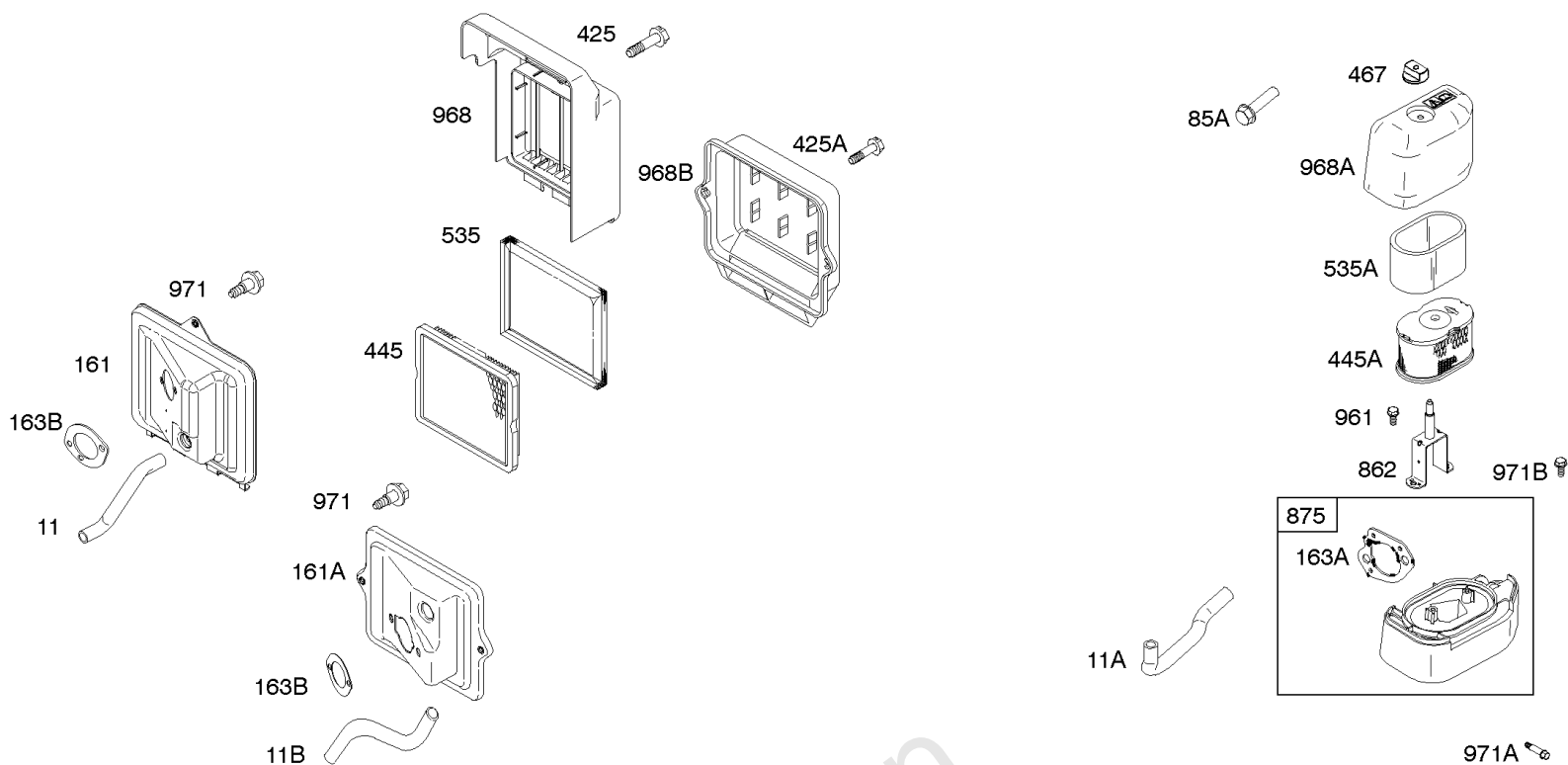
Mfg. No: 126392-0229-E1



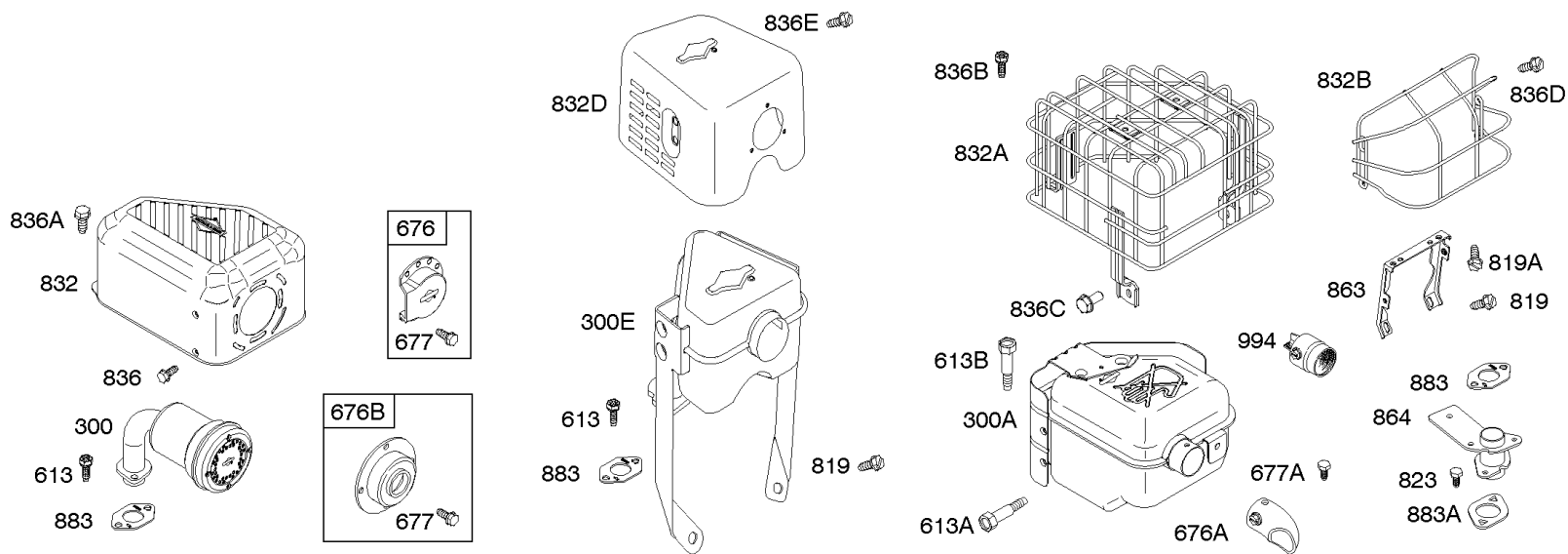
---

<b>Model Components</b>	<b>Page</b>
Air Cleaner, Controls, Exhaust System.....	4
Blower Housing/Shrouds, Flywheel, Rewind Starter.....	8
Camshaft, Crankshaft, Cylinder, Piston Group.....	10
Carburetor, Fuel Supply.....	14
Crankcase Cover, Gear Reduction, Lubrication.....	18
Cylinder Head.....	22
Electric Starter, Governor Springs, Ignition.....	26
Replacement Engine - US & Canada.....	30

Not For  
Reproduction

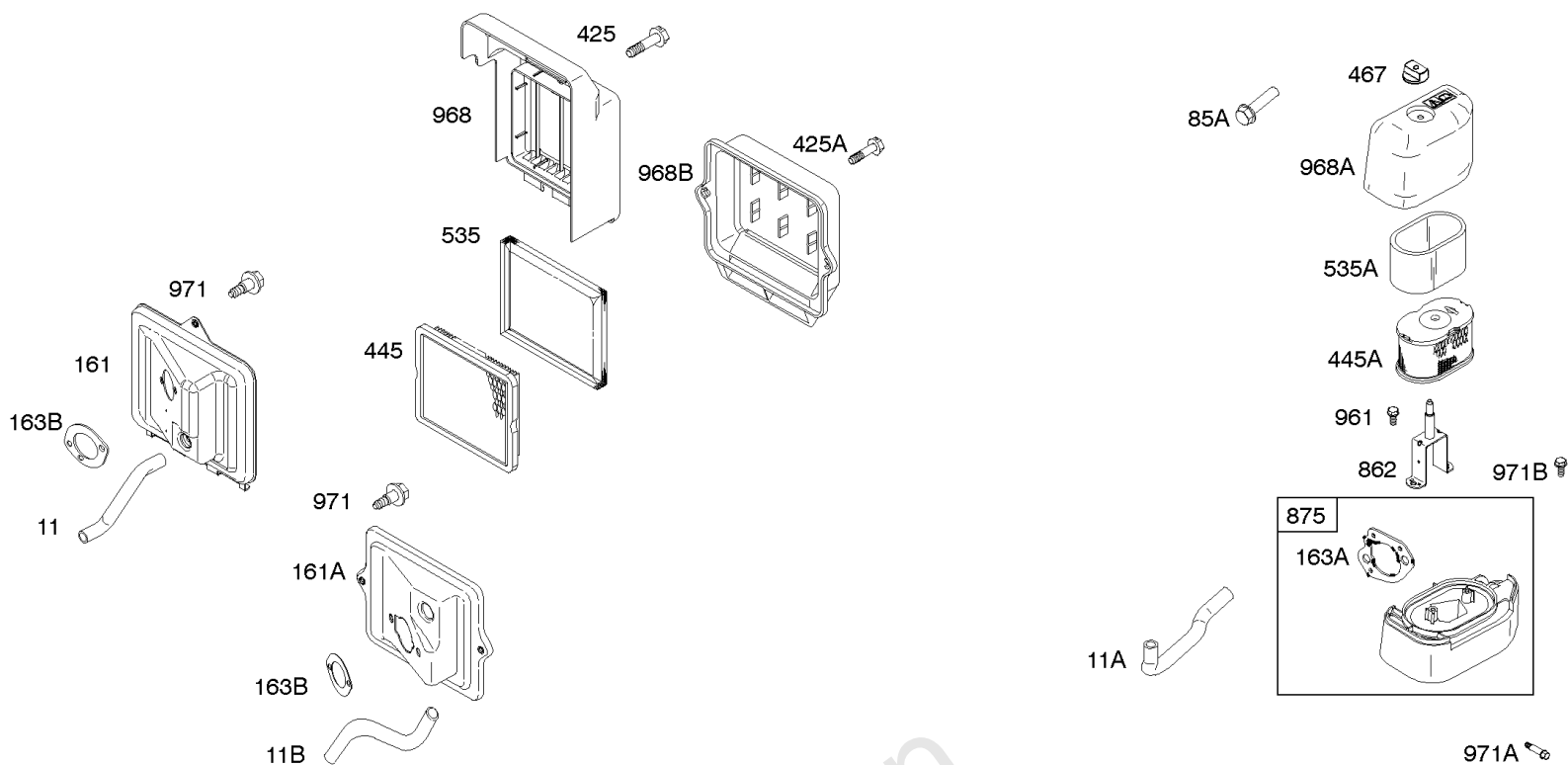


Not For  
Reproduction

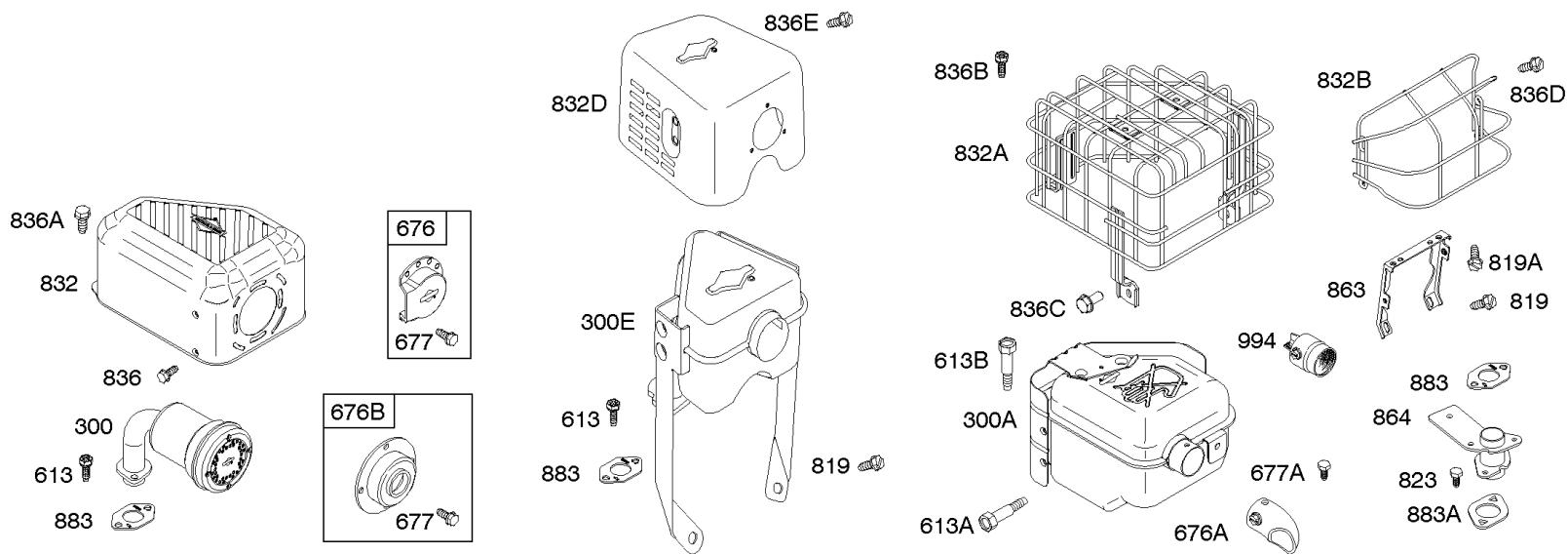


## Air Cleaner, Controls, Exhaust System

REF NO	PART NO	QTY	DESCRIPTION
11	692600		TUBE, Breather -(Flat Panel Air Cleaner)
11A	693647		TUBE, Breather -(High Mount Air Cleaner)
11B	790632		TUBE, Breather -(Ultra Low Mount Air Cleaner)
85A	690711		SCREW -(Gear Cover) -Used After Code Date 06051600
161	699207		BASE-AIR CLEANER -(Flat Panel Air Cleaner)
161A	790631		BASE, Air Cleaner -(Ultra Low Mount Air Cleaner)
163A	792870		GASKET, Air Cleaner -(High Mount)
163B	696024		GASKET, Air Cleaner -(Flat Panel Air Cleaner)
300	693593		MUFFLER
300A	797433		MUFFLER
300E	791595		MUFFLER
425	699208		SCREW -(Air Cleaner Cover)
425A	699492		SCREW -(Air Cleaner Cover)
445	491588S		FILTER-A/C CARTRIDGE -(Flat Panel)
445A	697029		FILTER-A/C CARTRIDGE -(High Mount)
467	691668		KNOB, Air Cleaner Cover
535	493537S		FILTER, Air Cleaner Foam -(Flat Panel)
535A	273356S		FILTER-A/C FOAM -(High Mount)
613	791972		SCREW -(Muffler)
613A	699481		SCREW -(Muffler)
613B	697812		SCREW -(Muffler) (SAE)
613B	799081		SCREW -(Muffler) (Metric)
676	796956		DEFLECTOR, Muffler
676A	697816		DEFLECTOR, Muffler
676B	395700		DEFLECTOR, Muffler -(Direct Outlet)
677	690661		SCREW -(Muffler Deflector) (SAE)
677	699203		SCREW -(Muffler Deflector) (Metric)
677A	699776		SCREW -(Muffler Deflector)
819	699233		SCREW -(Muffler Bracket)
819A	699230		SCREW -(Muffler Bracket)
823	791972		SCREW -(Muffler Adapter)
832	693583		GUARD, Muffler
832A	697818		GUARD, Muffler

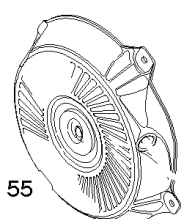
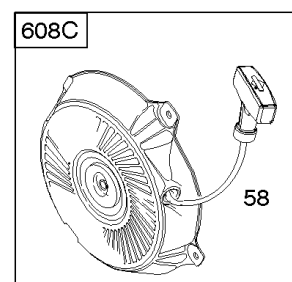
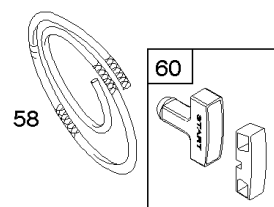
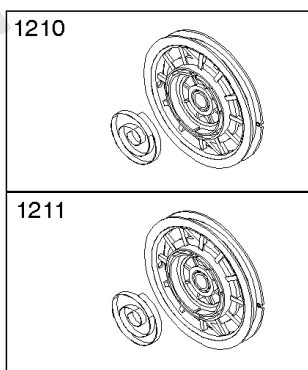
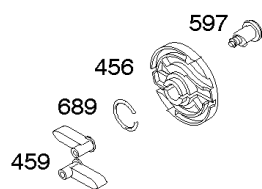
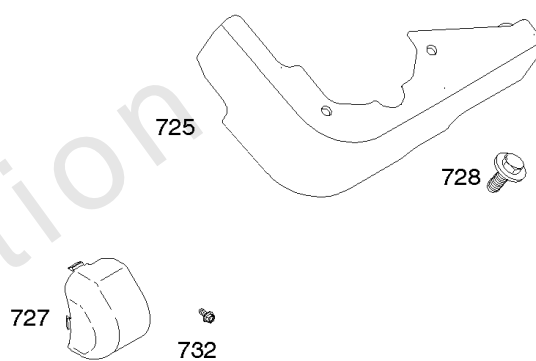
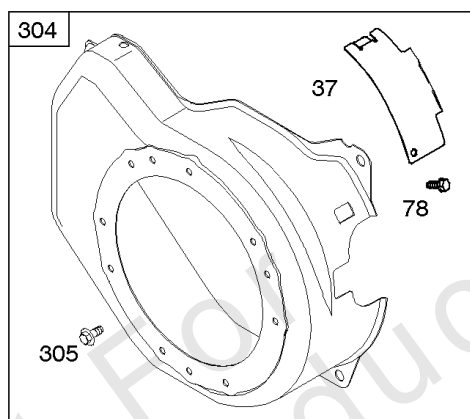
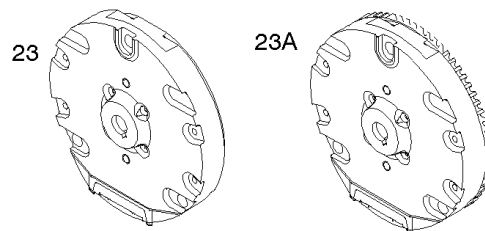
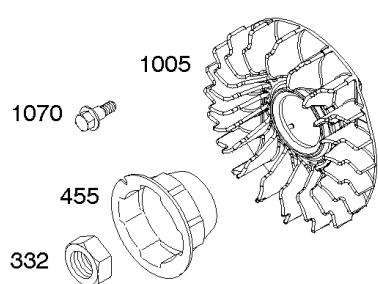
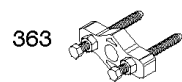


Not For  
Reproduction



## Air Cleaner, Controls, Exhaust System

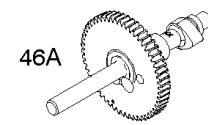
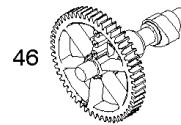
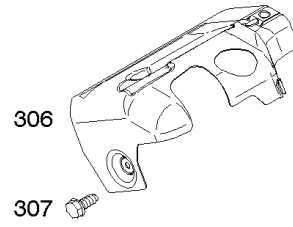
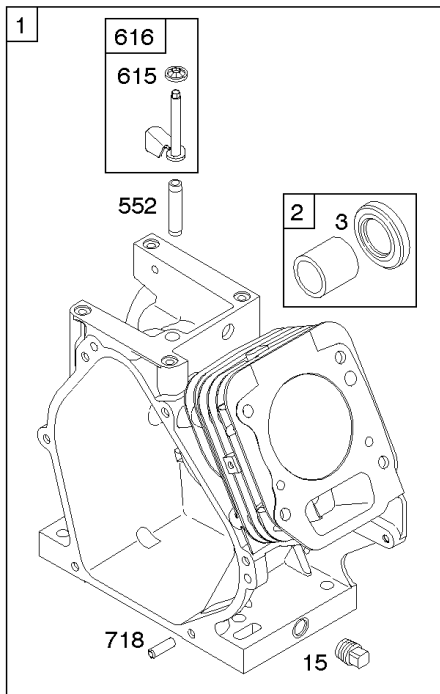
REF NO	PART NO	QTY	DESCRIPTION
832B	696516		MUFFLER
832D	796240		GUARD, Muffler
836	699203		SCREW -(Muffler Guard)
836A	699632		SCREW -(Muffler Guard)
836C	699234		SCREW -(Muffler Guard)
836D	699204		SCREW -(Muffler Guard)
836E	699755		SCREW -(Muffler Guard)
836B	791972		SCREW -(Muffler Guard)
862	693462		STRAP/STUD, Air Cleaner Mounting
863	699229		BRACKET, Muffler
864	699232		ADAPTER, Muffler
875	591306		BASE, Air Cleaner -(High Mount) -Used After Code Date 11123100
875	697030		BASE, Air Cleaner -(High Mount) -Used Before Code Date 12010100
883	691893		GASKET-EXHAUST
883A	692237		GASKET-EXHAUST
961	698304		SCREW -(Air Cleaner Bracket)
968	692584		COVER, Air Cleaner -(Flat Panel)
968A	693460		COVER, Air Cleaner -(High Mount)
968B	791082		COVER-AIR CLEANER -(Ultra Low Mount Air Cleaner)
971	690370		SCREW -(Air Cleaner Base to Carburetor/Throttle Body) (SAE)
971	798649		SCREW -(Air Cleaner Base to Carburetor/Throttle Body) (Metric)
971A	690349		SCREW -(Air Cleaner Base to Carburetor/Throttle Body) -Used Before Code Date 12010100
971A	591307		SCREW -(Air Cleaner Base to Carburetor/Throttle Body) -Used After Code Date 11123100
971B	699234		SCREW -(Air Cleaner Base to Carburetor/Throttle Body)
994	790153		ARRESTOR, Spark



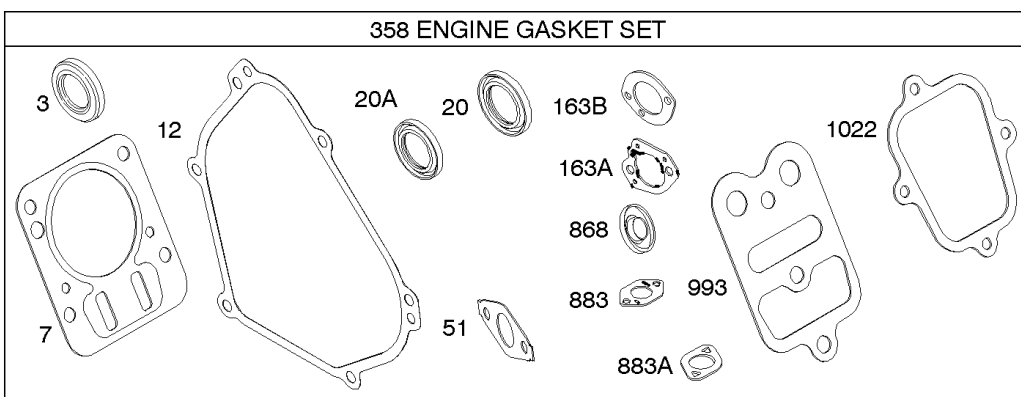
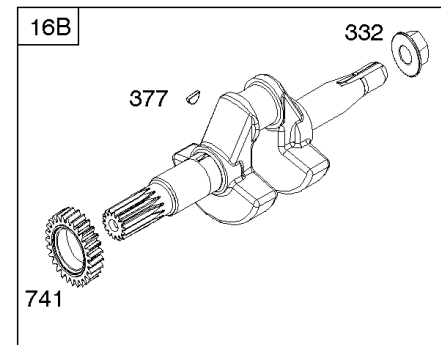
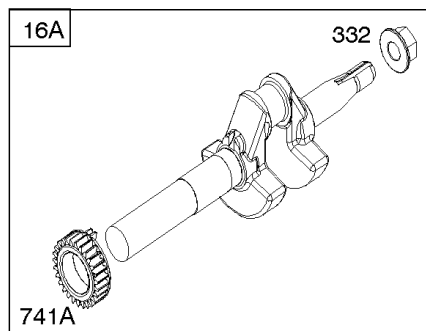
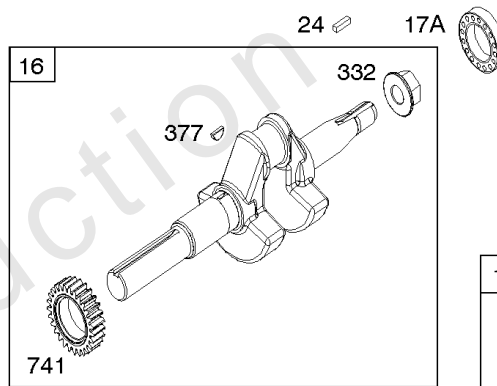
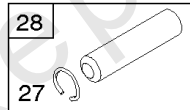
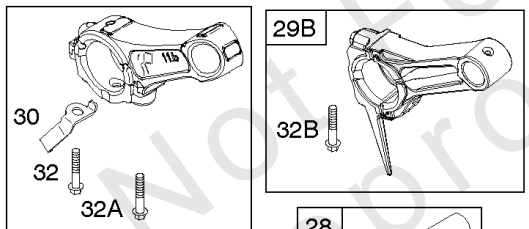
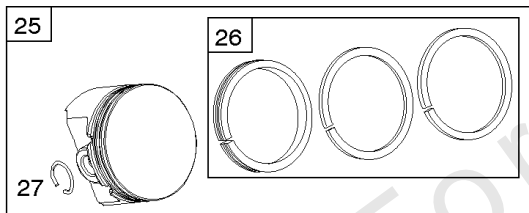


## Blower Housing/Shrouds, Flywheel, Rewind Starter

REF NO	PART NO	QTY	DESCRIPTION
23	699488		FLYWHEEL
37	699661		GUARD, Flywheel
55	791848		HOUSING, Rewind Starter -Used After Code Date 08030200
55	691422		HOUSING, Rewind Starter -(Rewind Starter Parts Used With 3MM Diameter Starter Rope) -Used Before Code Date 08030300
58	693389		ROPE, Starter -(Cut To Required Length) -Used After Code Date 08030200
58	66574		ROPE, Starter -(Rewind Starter Parts Used With 5MM Diameter Starter Rope) -Used Before Code Date 08030300
60	490652		GRIP-STARTER ROPE -(2 Piece)
60A	281434S		GRIP, Starter Rope -(2 Piece)
65	699228		SCREW -(Rewind Starter) (SAE)
65	699851		SCREW -(Rewind Starter) (Metric)
78	699205		SCREW -(Flywheel Guard)
304	699598		HOUSING, Blower
305	699481		SCREW -(Blower Housing)
332	591988		NUT -(Flywheel)
363	19203		PULLER, Flywheel
455	591302		CUP-FLYWHEEL
456	692299		PLATE-PAWL FRICTION
459	281505S		PAWL-RATCHET
597	691696		SCREW -(Pawl Friction Plate)
608C	591301		STARTER, Rewind
689	691855		SPRING-FRICTION -(Rewind Starter)
725	792874		SHIELD, Heat
727	698039		COVER-STARTER DRIVE
728	699632		SCREW -(Heat Shield)
732	699200		SCREW -(Starter Drive Cover)
1005	692592		FAN, Flywheel
1070	699201		SCREW -(Flywheel Fan)
1210	791849		PULLEY/SPRING ASSEMBLY -(Pulley) -Used After Code Date 08030200
1210	498144		PULLEY/SPRING ASSY -(Pulley) -Used Before Code Date 08030300
1211	791849		PULLEY/SPRING ASSEMBLY -(Spring) -Used After Code Date 08030200
1211	498144		PULLEY/SPRING ASSY -(Spring) -Used Before Code Date 08030300

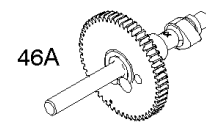
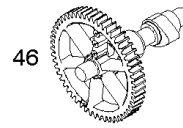
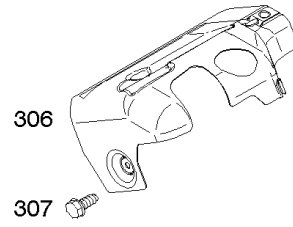
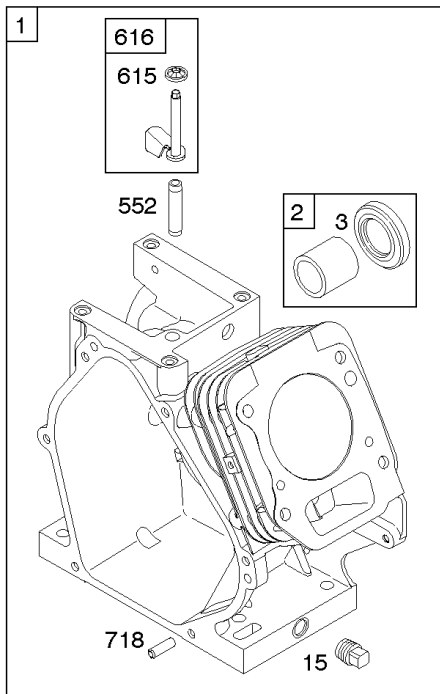


- 1036 EMISSIONS LABEL
- 1058 OPERATOR'S MANUAL
- 1319 WARNING LABEL
- 1319A WARNING LABEL
- 1330 REPAIR MANUAL

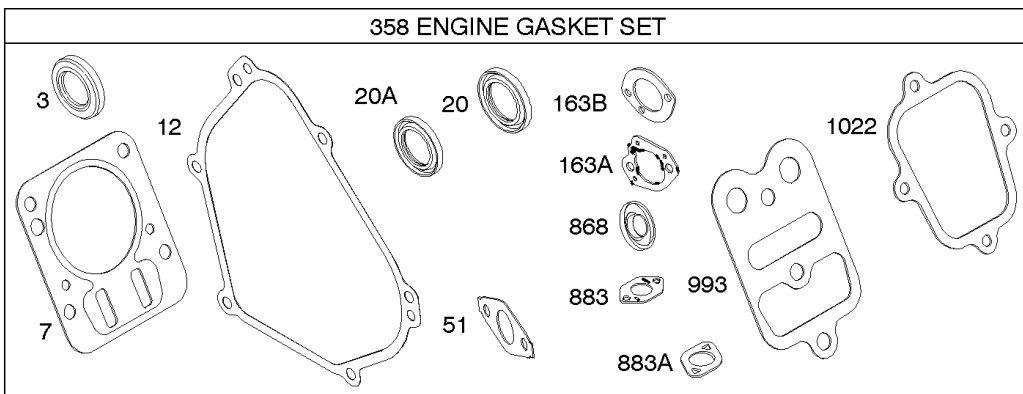
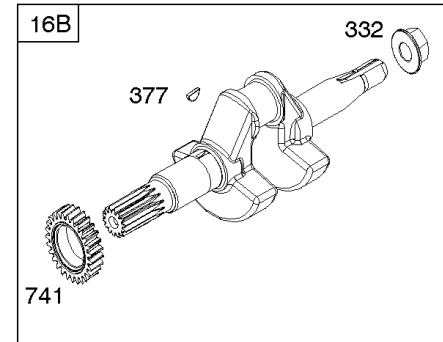
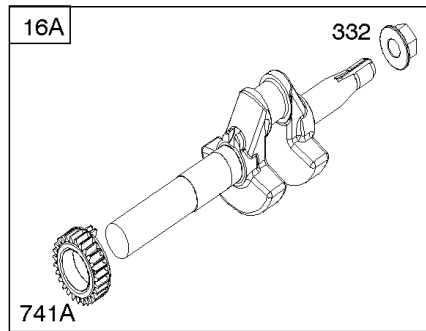
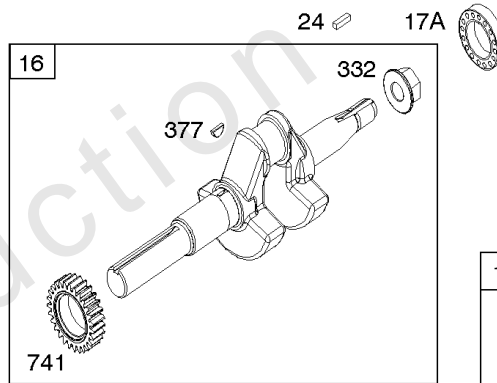
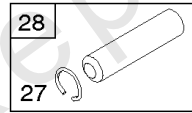
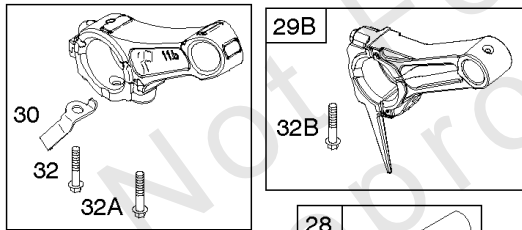
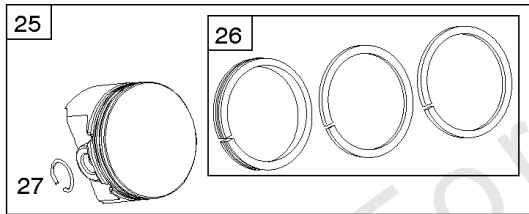


## Camshaft, Crankshaft, Cylinder, Piston Group

REF NO	PART NO	QTY	DESCRIPTION
1	699510		CYLINDER ASSEMBLY
2	796961		KIT, Bushing/Seal -(Magneto Side)
3	299819S		SEAL-OIL -(Magneto Side)
7	698210		GASKET, Cylinder Head
12	699485		GASKET-CRANKCASE
15	691686		PLUG-OIL DRAIN -(Square Head)
15A	691682		PLUG-OIL DRAIN -(Flush)
16	797070		CRANKSHAFT
16A	593495		CRANKSHAFT -Used After Code Date 13050500
17	798538		BEARING-BALL -(PTO Side)
17A	690824		BEARING-BALL -(PTO Side)
20A	691952		SEAL, Oil -(PTO Side) (Auxiliary PTO)
24	796335		KEY, Flywheel
25	799064		PISTON ASSEMBLY -(.020 Oversize)
25	795429		PISTON ASSEMBLY -(Standard)
26	791324		SET, Ring -(.020 Oversize) -Used After Code Date 05060600
26	692786		SET, Ring -(.020 Oversize) -Used Before Code Date 05060700
26	791969		SET, Ring -(Standard) -Used After Code Date 05060600
26	499631		SET, Ring -(Standard) -Used Before Code Date 05060700
27	691866		LOCK-PISTON PIN
28	499423		PIN-PISTON/STD -(Standard)
29B	798813		ROD, Connecting
30	791584		DIPPER-CONN ROD
32	691664		SCREW -(Connecting Rod)
32A	695759		SCREW -(Connecting Rod)
32B	797437		SCREW -(Connecting Rod)
46A	695285		CAMSHAFT
51	692555		GASKET, Intake -(2 Required)
163A	792870		GASKET, Air Cleaner -(High Mount)
163B	696024		GASKET, Air Cleaner -(Flat Panel Air Cleaner)
306	795334		SHIELD-CYLINDER
307	699483		SCREW -(Cylinder Shield)
309	694504		MOTOR, Starter

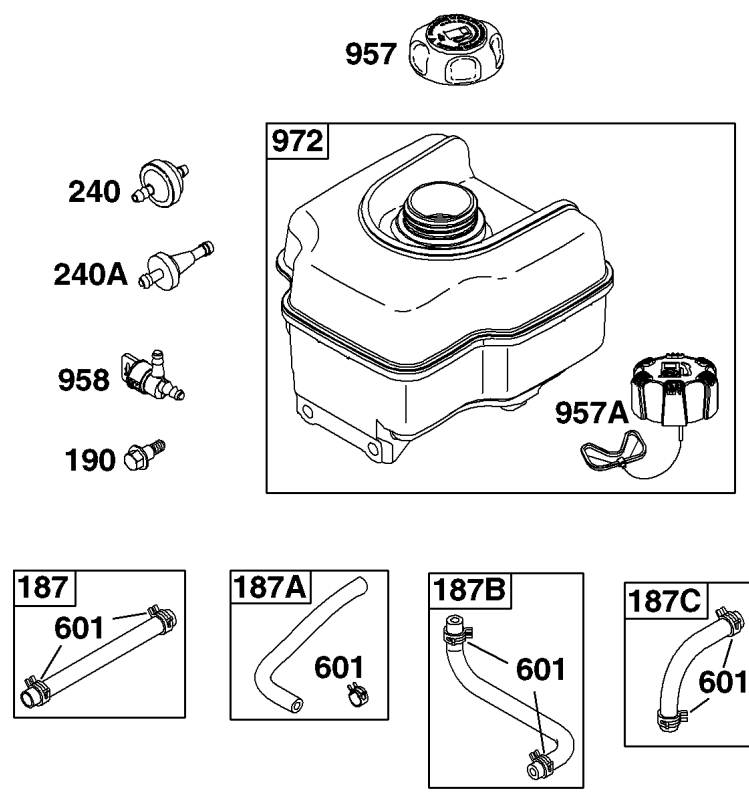
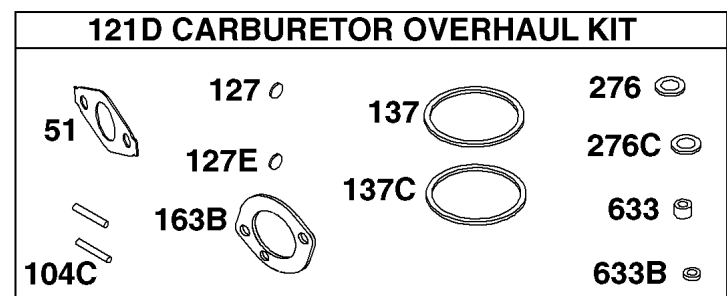
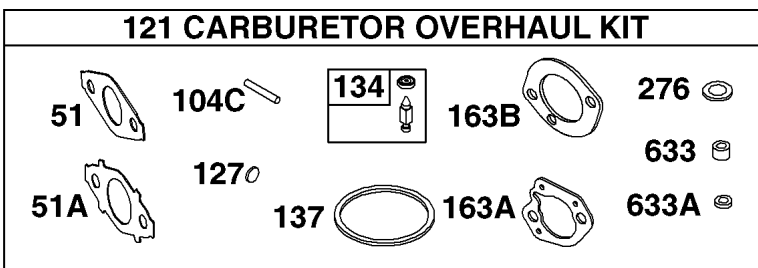
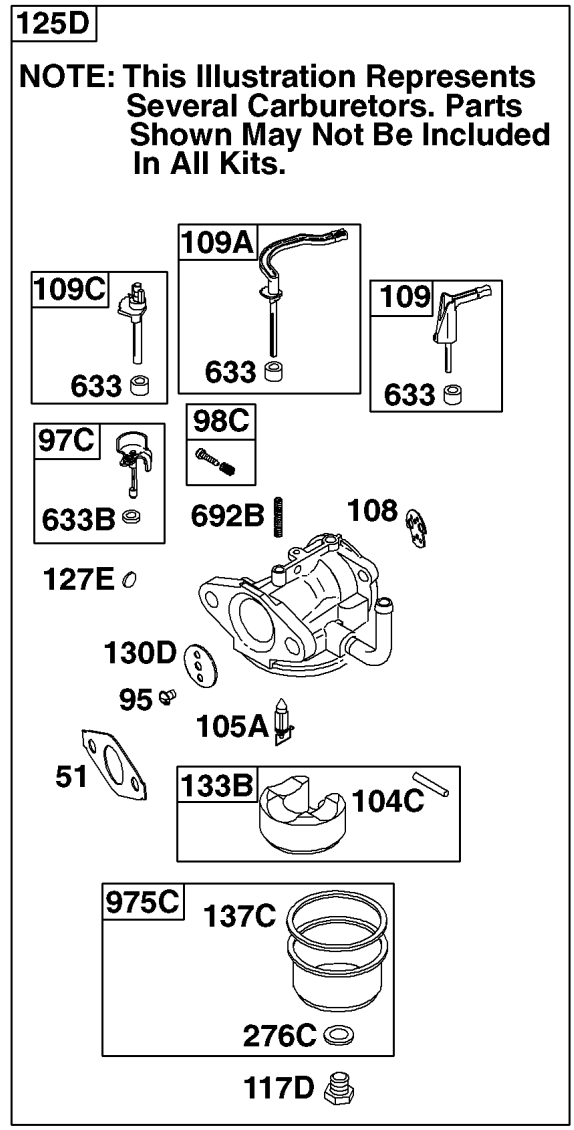
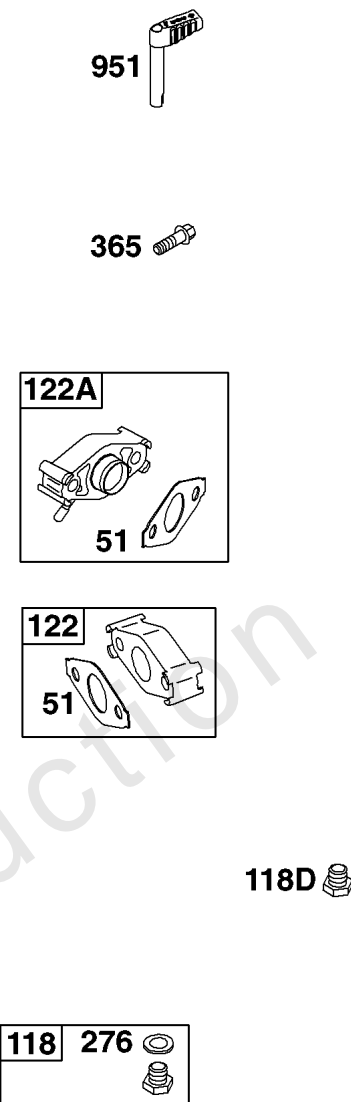
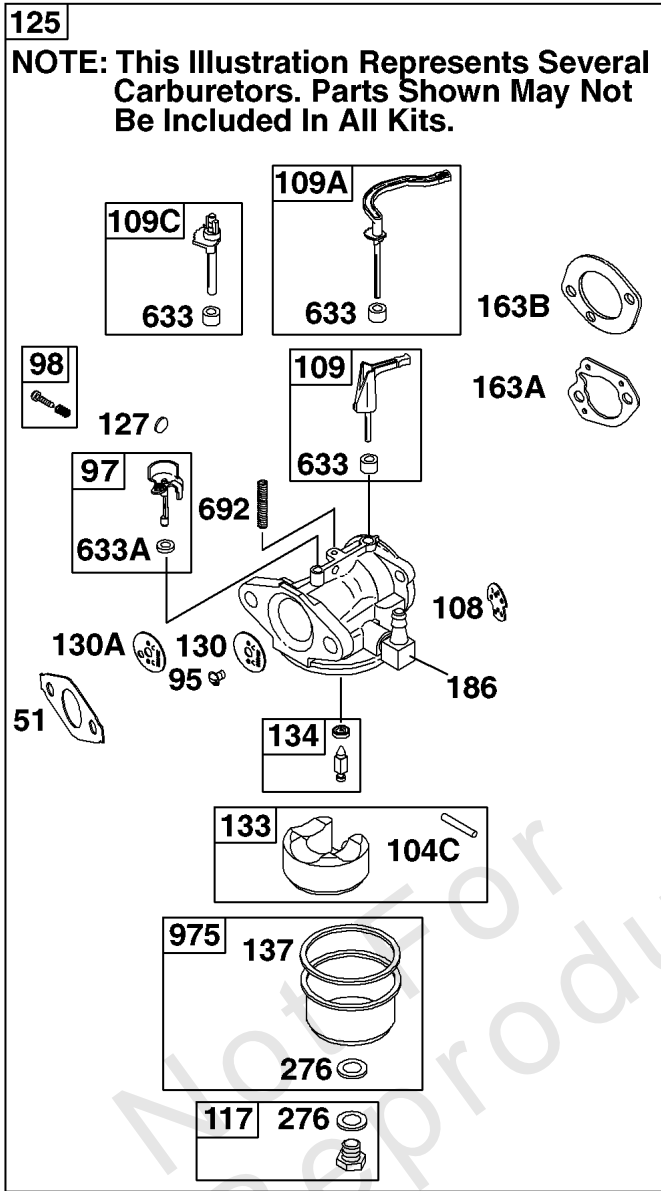


- 1036 EMISSIONS LABEL
- 1058 OPERATOR'S MANUAL
- 1319 WARNING LABEL
- 1319A WARNING LABEL
- 1330 REPAIR MANUAL



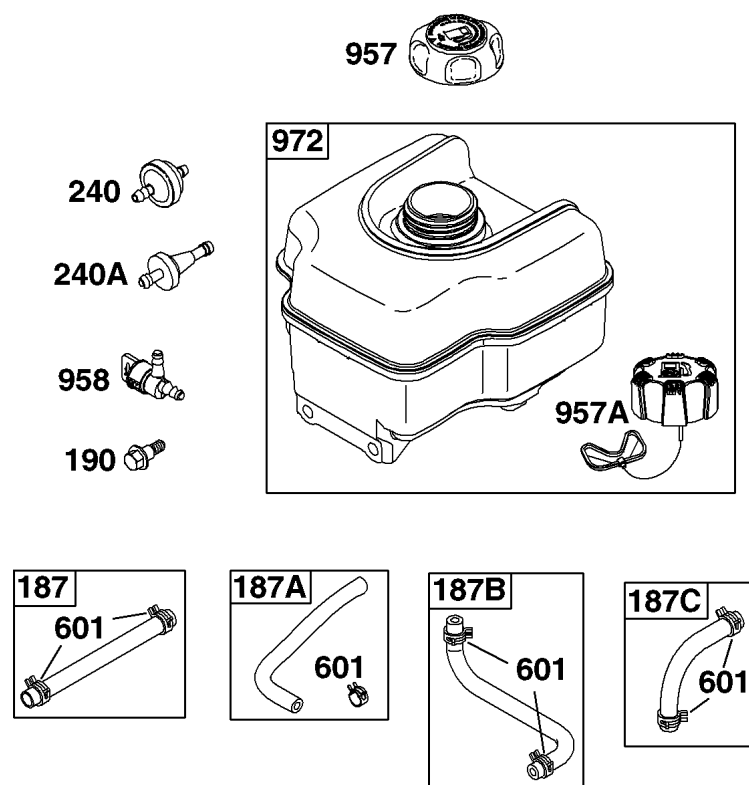
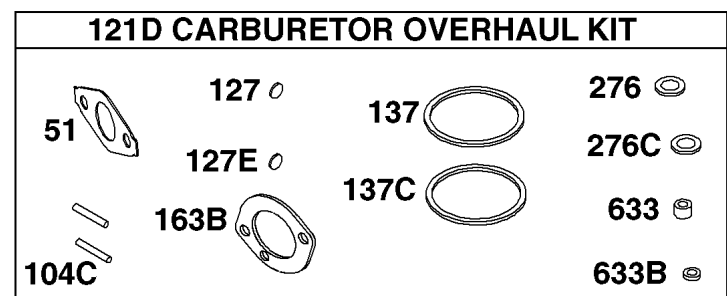
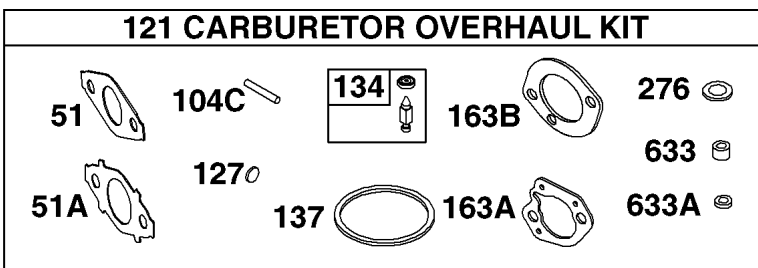
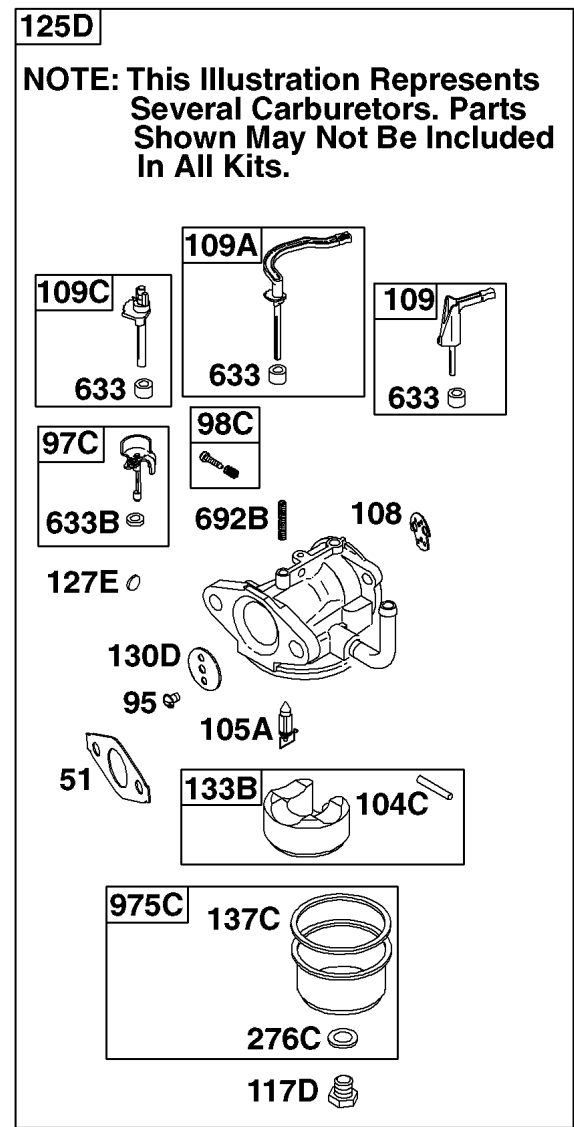
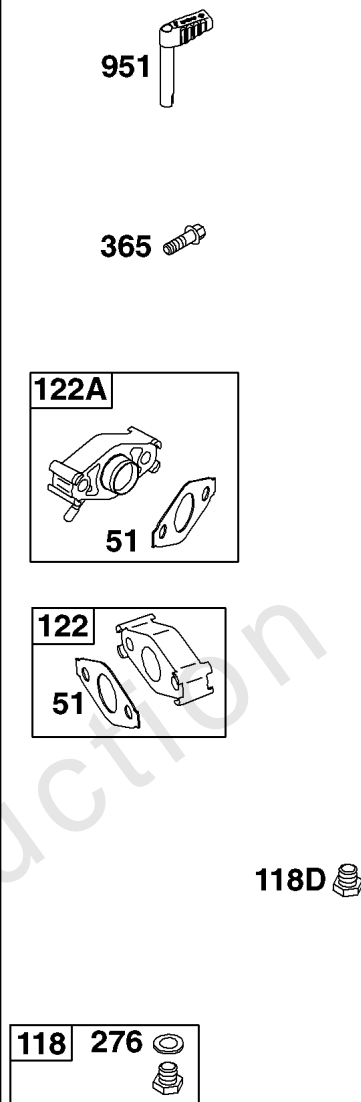
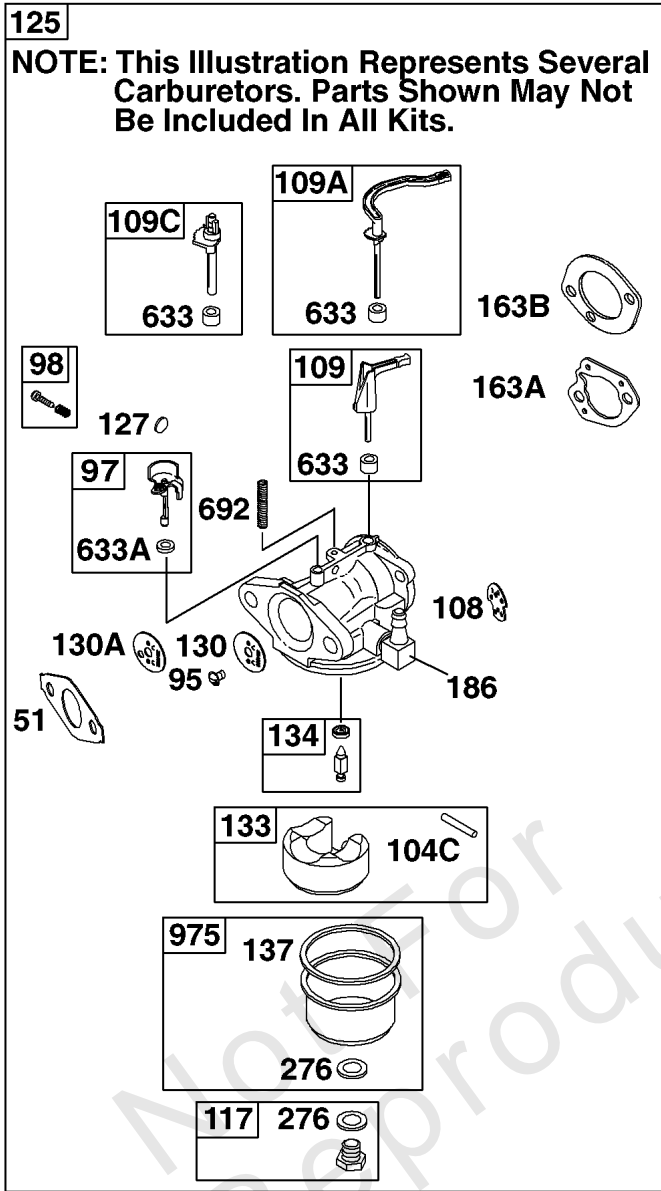
## Camshaft, Crankshaft, Cylinder, Piston Group

REF NO	PART NO	QTY	DESCRIPTION
332	591988		NUT -(Flywheel)
357	798869		KEY, Drive Pulley -(Metric)
357	692191		KEY, Drive Pulley -(SAE)
358	791797		GASKET SET, Engine
377	690979		KEY, Woodruff
552	692346		BUSHING, Governor Crank
615	692576		RETAINER, Governor Shaft
616	692547		CRANK, Governor
718	690959		PIN, Locating
741	695087		GEAR-TIMING -(Metal)
741A	593499		GEAR, Timing -(Nylon)
868	795440		SEAL-VALVE
883	691893		GASKET-EXHAUST
883A	692237		GASKET-EXHAUST
993	694088		GASKET-CYL HD PLATE
1022	691890		GASKET-ROCKER COVER
1036	-----		Label-Emissions -(Available From A Briggs & Stratton Authorized Dealer)
1058	277040		MANUAL, Operator's
1319	794467		LABEL, Warning
1319A	797669		LABEL, Warning
1330	272147		MANUAL, Repair



## Carburetor, Fuel Supply

REF NO	PART NO	QTY	DESCRIPTION
51	692555		GASKET, Intake -(2 Required)
51A	791718		GASKET, Intake
95	691636		SCREW -(Throttle Valve)
97	690024		SHAFT, Throttle
97C	797628		SHAFT, Throttle
98	398185		KIT-IDLE SPEED -(Idle Speed) (Lmt 26, 27, 28, 31)
98C	797156		KIT, Idle Speed
104C	797622		PIN-FLOAT HINGE
105A	797139		VALVE, Float Needle
108	692567		VALVE-CHOKE
109	690023		SHAFT, Choke
109A	693628		SHAFT, Choke
109C	790624		SHAFT, Choke
117	498978		JET, Main -(Standard)
117D	798661		JET, Main -(Standard)
118	498975		JET, Main -(High Altitude)
118D	798660		JET, Main -(High Altitude)
121	792006		KIT, Carburetor Overhaul
121D	797634		KIT, Carburetor Overhaul
122	795643		SPACER, Carburetor -(Black)
122	795208		SPACER, Carburetor -(Grey/Coffee)
125D	798653		CARBURETOR
127	691739		PLUG-WELCH -(5/16 Diameter)
127E	797633		PLUG, Welch
130	691181		VALVE-THROTTLE
130D	797630		VALVE, Throttle
133	398187		FLOAT-CARBURETOR
133B	797136		FLOAT, Carburetor
134	398188		KIT-NEEDLE/SEAT
137	693981		GASKET-FLOAT BOWL
137C	797625		GASKET, Float Bowl
163A	792870		GASKET, Air Cleaner -(High Mount)
163B	696024		GASKET, Air Cleaner -(Flat Panel Air Cleaner)
186	692317		CONNECTOR-HOSE
187	791766		LINE, Fuel -(Cut To Required Length)
187A	791867		LINE, Fuel -(Molded)
187B	791874		LINE, Fuel -(Molded)
187C	791866		LINE-FUEL -(Molded)
190	699220		SCREW -(Fuel Tank)



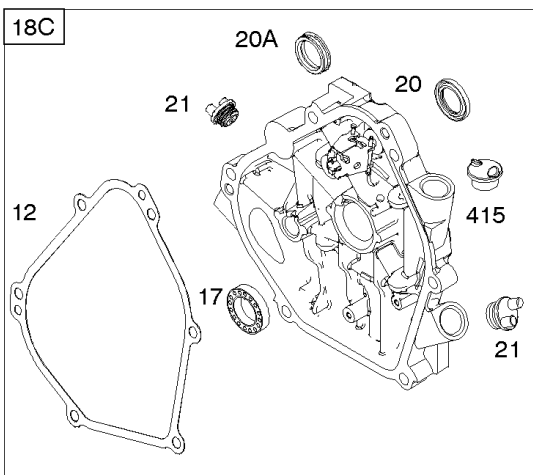
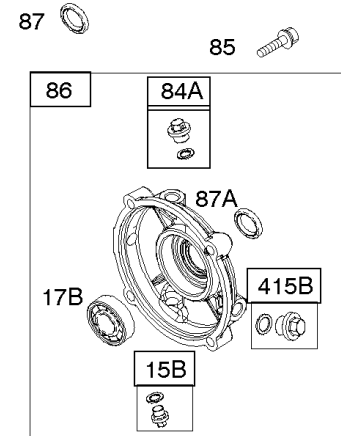
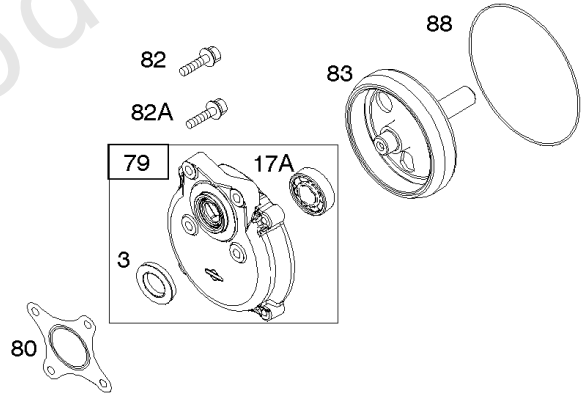
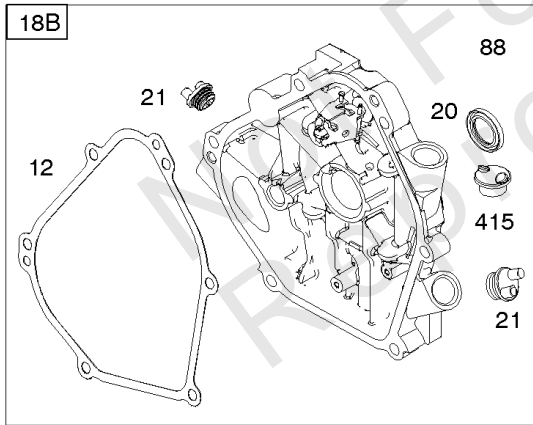
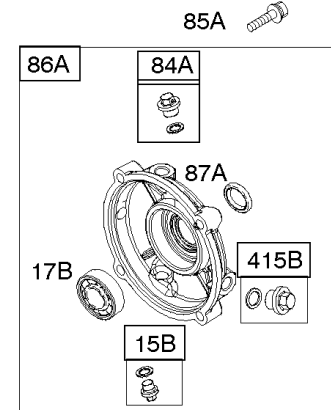
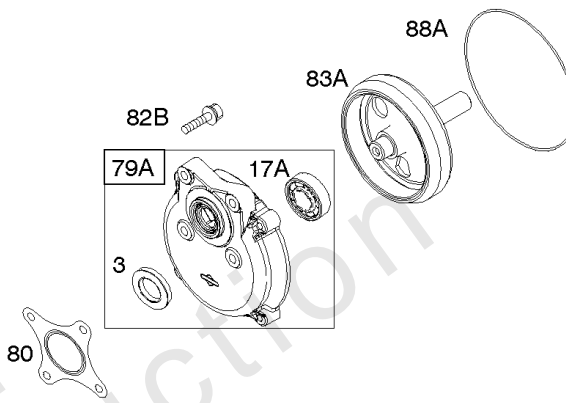
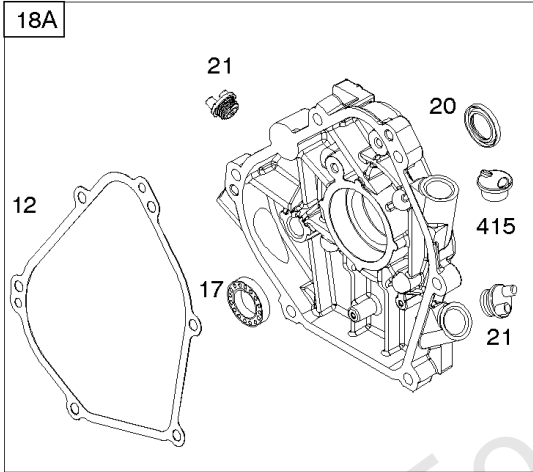
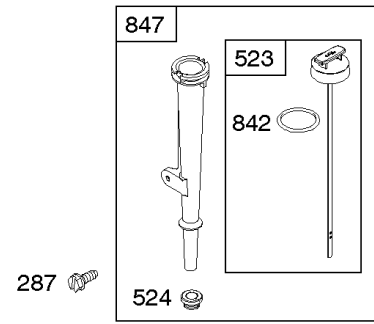
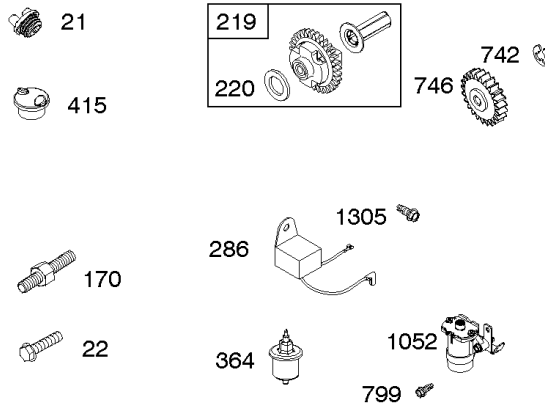
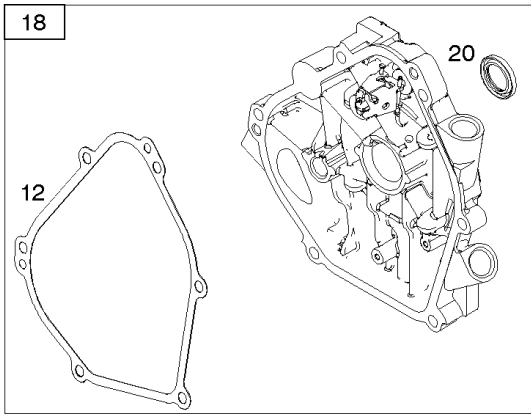


## Carburetor, Fuel Supply

REF NO	PART NO	QTY	DESCRIPTION
240	298090S		FILTER, Fuel
240A	694485		FILTER, Fuel
276	271716		WASHER-SEALING
276C	797632		WASHER, Sealing
365	699484		SCREW -(Carburetor)
601	791850		CLAMP, Hose
633	693867		SEAL, Choke/Throttle Shaft
633A	691321		SEAL-CHOKE/THR SHAFT -(Throttle Shaft)
633B	797629		SEAL, Choke/Throttle Shaft
692	690572		SPRING, Detent -(Choke)
692B	797624		SPRING, Detent
951	790630		LEVER, Choke
957	795027		CAP, Fuel Tank -(Text Free)
957	792647		CAP, Fuel Tank -(Fresh Start)
957A	799719		CAP, Fuel Tank -(Carbon In Cap)
958	698180		VALVE-FUEL SHUT OFF
972	799863		TANK, Fuel
975	796611		BOWL, Float
975C	797631		BOWL, Float

# Crankcase Cover, Gear Reduction, Lubrication

Mfg. No: 126392-0229-E1

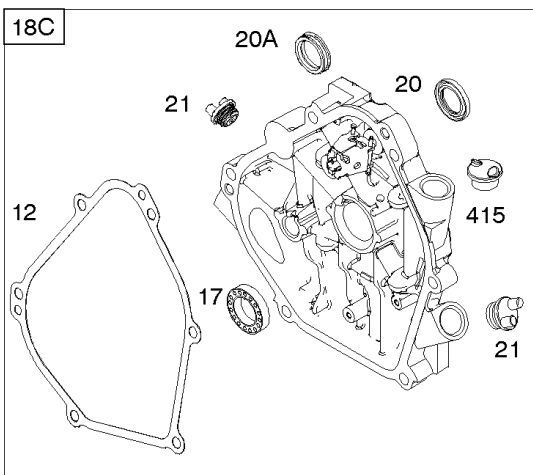
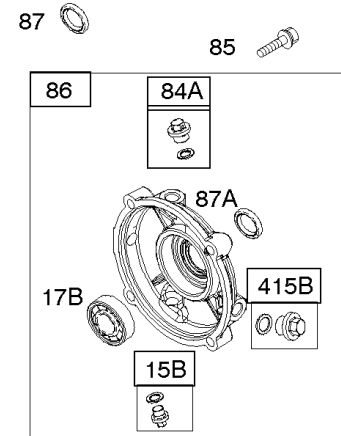
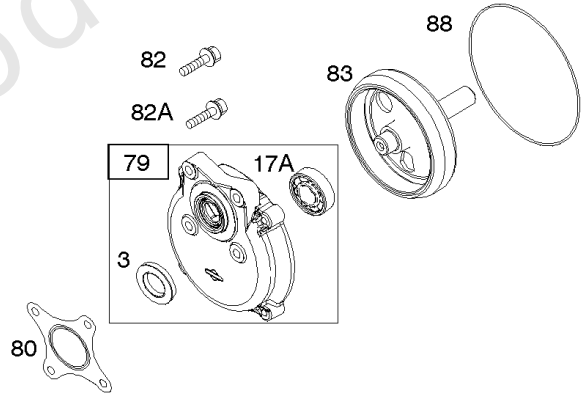
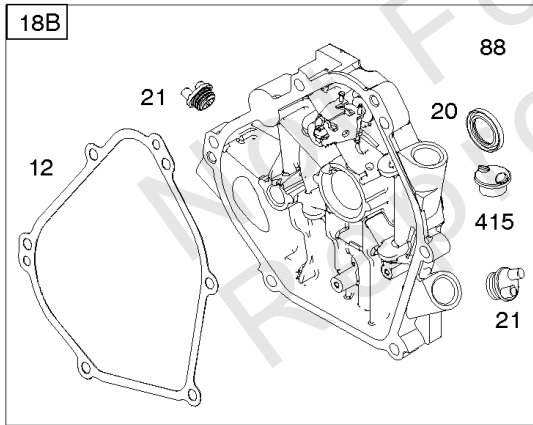
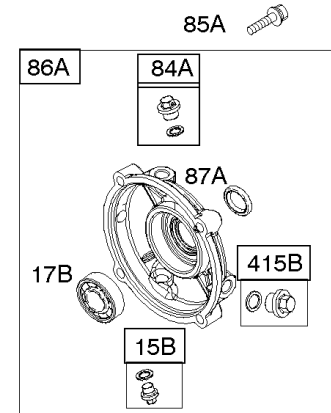
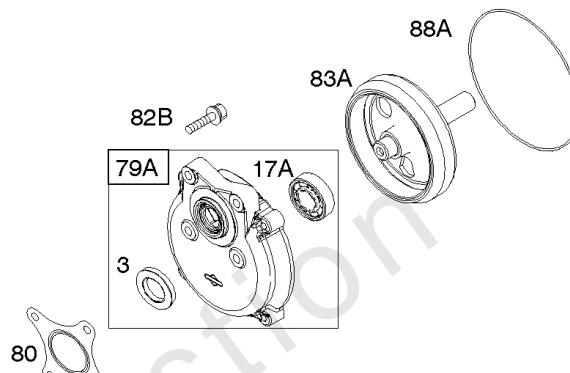
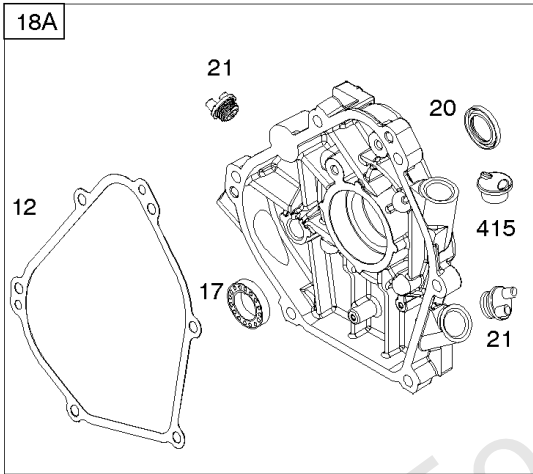
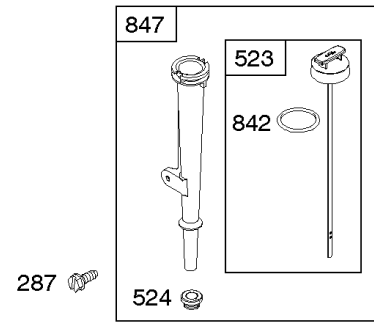
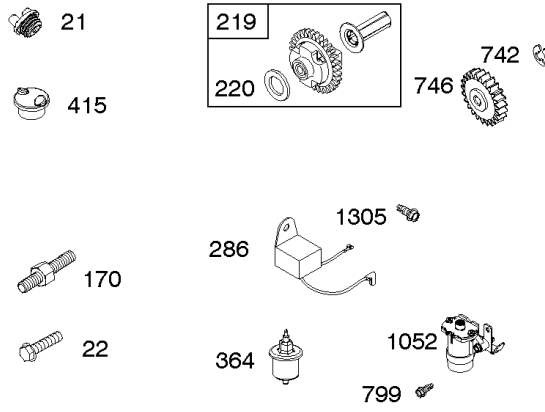
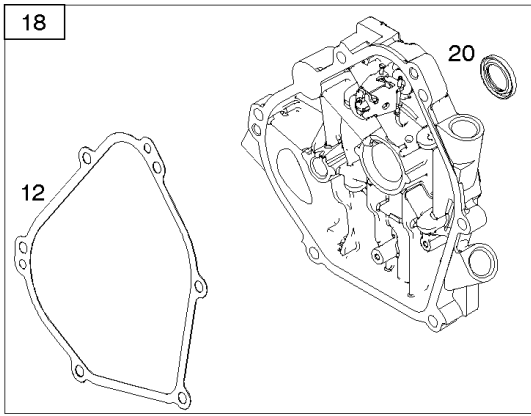


## Crankcase Cover, Gear Reduction, Lubrication

REF NO	PART NO	QTY	DESCRIPTION
3	299819S		SEAL-OIL -(Magneto Side)
12	699485		GASKET-CRANKCASE
15B	792750		PLUG, Oil Drain
17	798538		BEARING-BALL -(PTO Side)
17A	690824		BEARING-BALL -(PTO Side)
17B	99158		BEARING-BALL
18C	699677		COVER, Crankcase
20A	691952		SEAL, Oil -(PTO Side) (Auxiliary PTO)
21	281658S		CAP-OIL FILL
22	799318		SCREW -(Crankcase Cover/Sump)
79	694511		CASE, Gear Reduction -Used Before Code Date 06051700
79A	792746		CASE, Gear Reduction -Used After Code Date 06051600
80	792755		GASKET, Gear Case
82	690369		SCREW -(Gear Reduction Case) -Used Before Code Date 06051700
82A	790197		SCREW -(Gear Reduction Case) -Used Before Code Date 06051700
82B	792753		SCREW -(Gear Reduction Case) -Used After Code Date 06051600
83	690374		SHAFT, Auxiliary Drive -Used Before Code Date 06051700
83A	792756		SHAFT, Auxiliary Drive -Used After Code Date 06051600
84A	792759		PLUG, Breather
85	692551		SCREW -(Gear Cover) -Used Before Code Date 06051700
85A	690711		SCREW -(Gear Cover) -Used After Code Date 06051600
86	690608		COVER, Gear -Used Before Code Date 06051700
86A	792748		COVER-GEAR -Used After Code Date 06051600 -Used Before Code Date 08010200
86A	795647		COVER, Gear -Used After Code Date 08010100
87	691582		SEAL, Gear Reduction -Used Before Code Date 06051700
87A	792752		SEAL, Gear Reduction -Used After Code Date 06051600
88	691600		GASKET, Gear Cover/Housing
88A	792760		GASKET, Gear Cover/Housing
170	699818		STUD -(Crankcase Cover/Sump)
219	693578		GEAR, Governor
220	691724		WASHER -(Governor Gear)
286	794185		MODULE, Oil Sensor

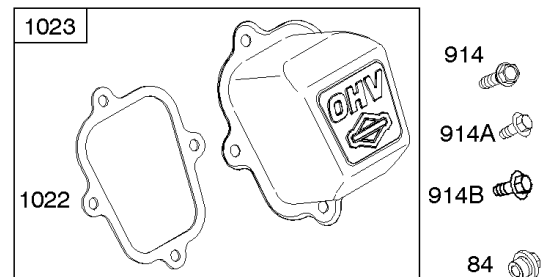
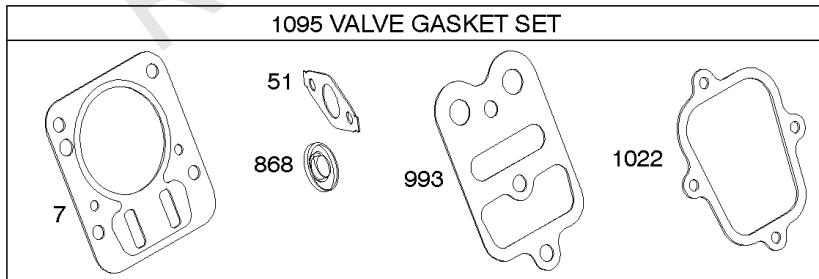
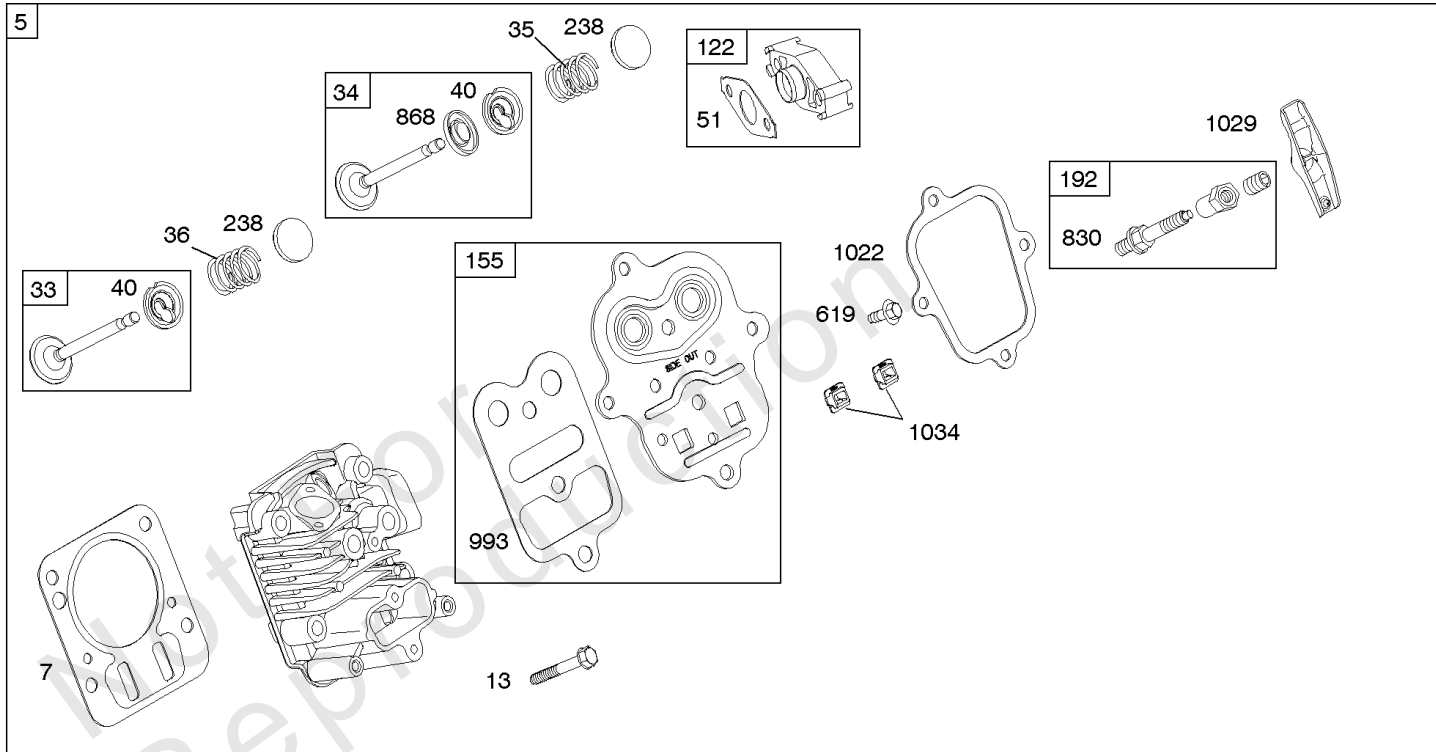
# Crankcase Cover, Gear Reduction, Lubrication

Mfg. No: 126392-0229-E1



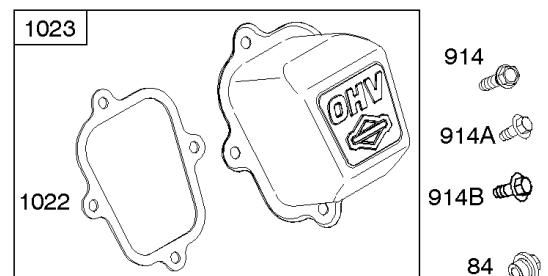
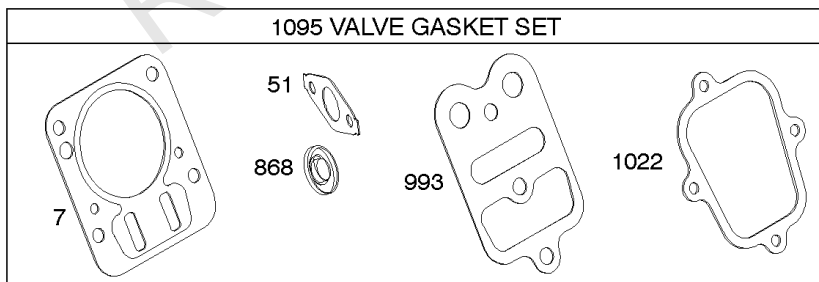
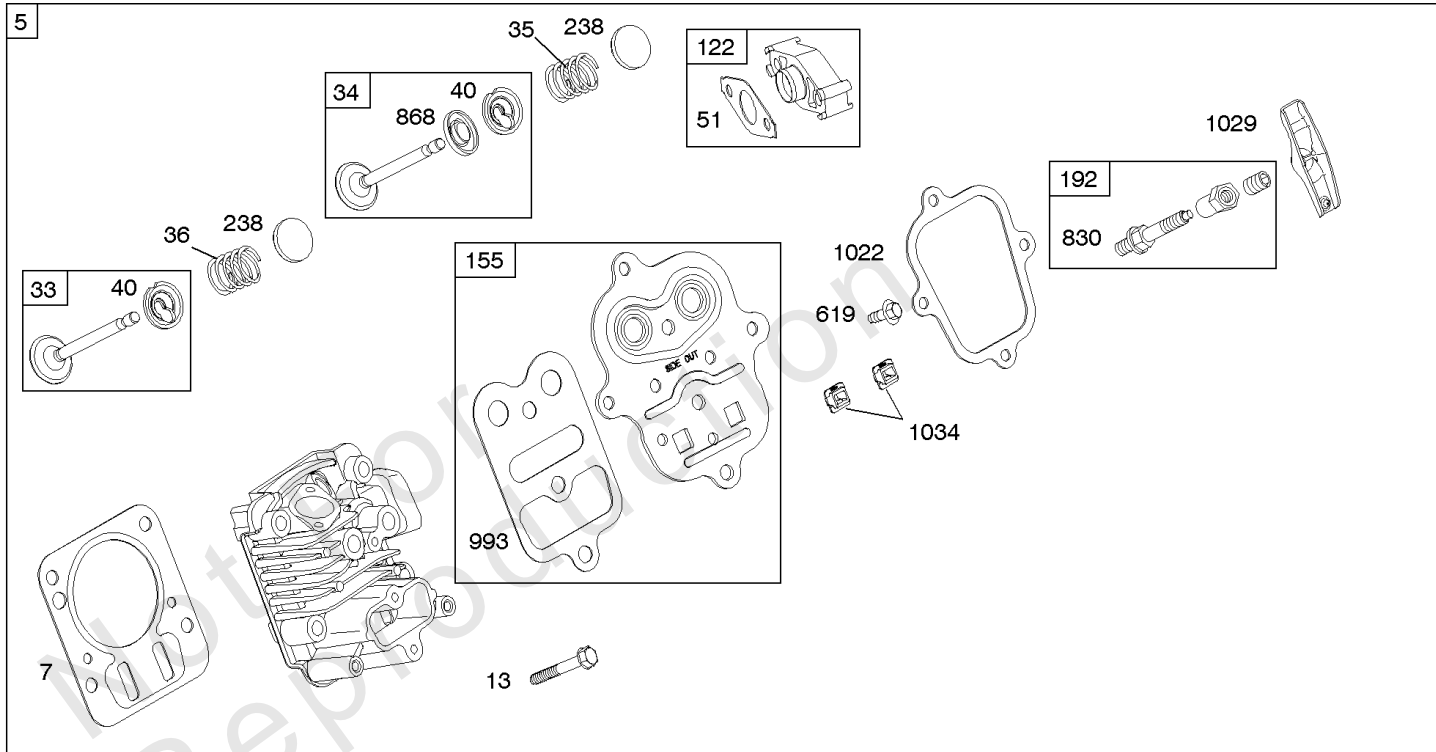
## Crankcase Cover, Gear Reduction, Lubrication

REF NO	PART NO	QTY	DESCRIPTION
287	699234		SCREW -(Dipstick Tube)
364	695693		TERMINAL, Oil Plug
415	693463		PLUG -(Crankcase Cover/Sump)
415B	792749		PLUG
523	693618		DIPSTICK
524	281370S		SEAL-DIPSTICK TUBE -(Dipstick Tube)
742	692564		RETAINER, E Ring
746	790278		GEAR-IDLER
799	699202		SCREW -(Oil Sensor)
842	691031		SEAL, O-Ring -(Dipstick Tube)
847	693617		DIPSTICK/TUBE ASSEMBLY
1052	790141		SENSOR, Oil
1305	699691		SCREW -(Oil Sensor Module)



## Cylinder Head

REF NO	PART NO	QTY	DESCRIPTION
5	797439		HEAD, Cylinder -(SAE)
7	698210		GASKET, Cylinder Head
13	699482		SCREW -(Cylinder Head)
33	499642		VALVE, Exhaust
34	795443		VALVE, Intake
35	691304		SPRING, Valve -(Intake)
36	691304		SPRING, Valve -(Exhaust)
40	692194		RETAINER, Valve
45	690977		TAPPET, Valve
51	692555		GASKET, Intake -(2 Required)
84	691121		PLUG-BREATHER
122	795208		SPACER, Carburetor -(Grey/Coffee)
122	795643		SPACER, Carburetor -(Black)
155	698214		PLATE, Cylinder Head -(SAE) -Used Before Code Date 09061800
155	797442		PLATE, Cylinder Head -(Metric) -Used After Code Date 09061700
192	797440		ADJUSTER, Rocker Arm -(Metric) -Used After Code Date 09061700
192	694543		ADJUSTER-ROCKER ARM -(SAE) -Used Before Code Date 09061800
238	691300		CAP, Valve
337	491055S		PLUG, Spark -(Resistor)
337	691043		PLUG, Spark -(EMS)
383	19576S		WRENCH, Spark Plug
619	699481		SCREW -(Cylinder Head Plate)
635	692076		BOOT, Spark Plug
635A	798619		BOOT-SPARK PLUG
830	694544		STUD-ROCKER ARM -(Rocker Arm) (SAE) -Used Before Code Date 09061800
830	797441		STUD, Rocker Arm -(Rocker Arm) (Metric) -Used After Code Date 09061700
868	795440		SEAL-VALVE
914	699481		SCREW -(Rocker Cover) (Bottom)
914A	797444		SCREW -(Rocker Cover) (Quantity 1 Top Or Center) -Used After Code Date 09061700
914A	692557		SCREW -(Rocker Cover) (Top) -Used Before Code Date 09061800
914B	697551		SCREW -(Rocker Cover) (Center) -Used Before Code Date 09061800

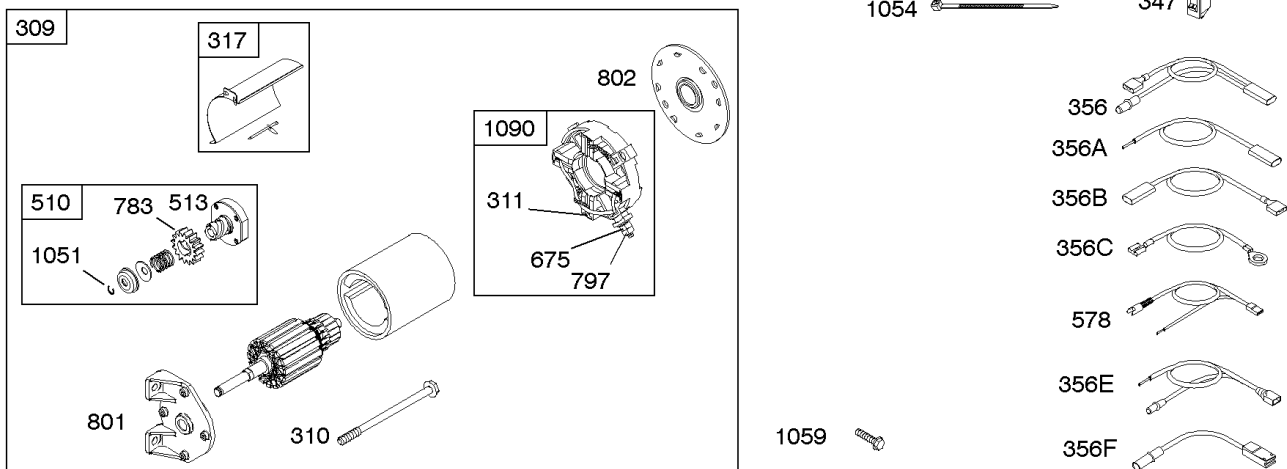
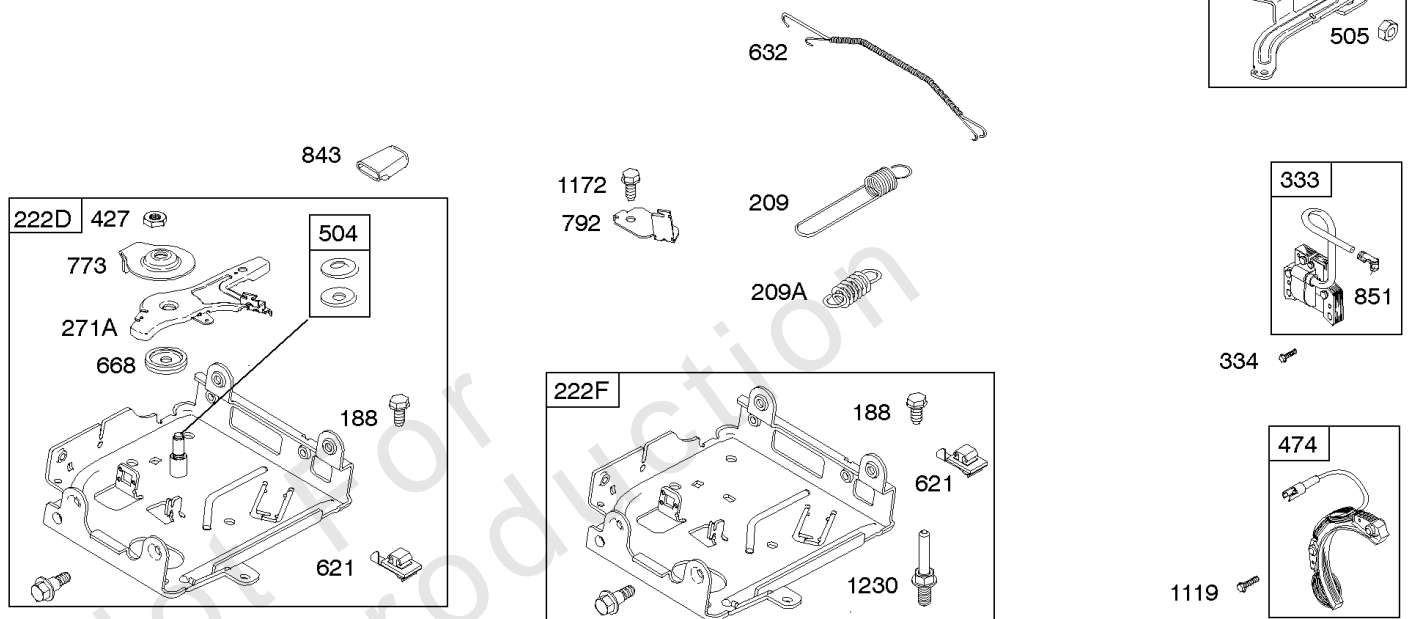
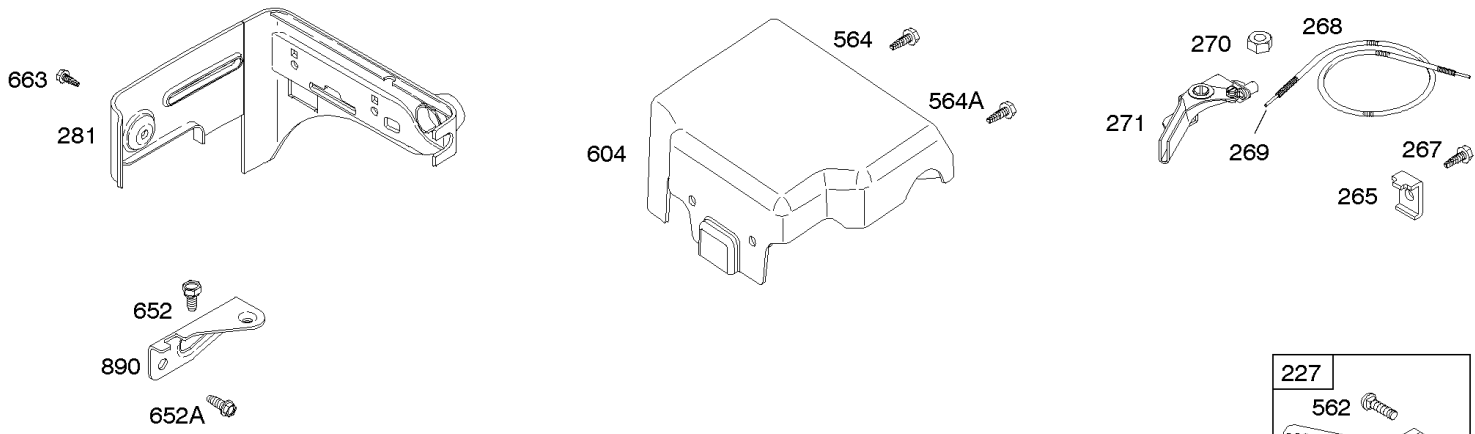




## Cylinder Head

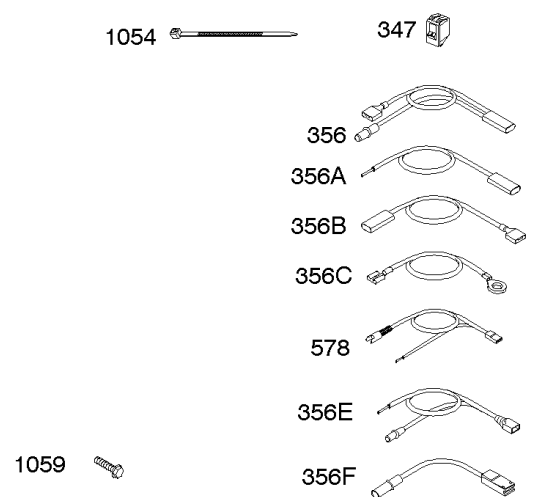
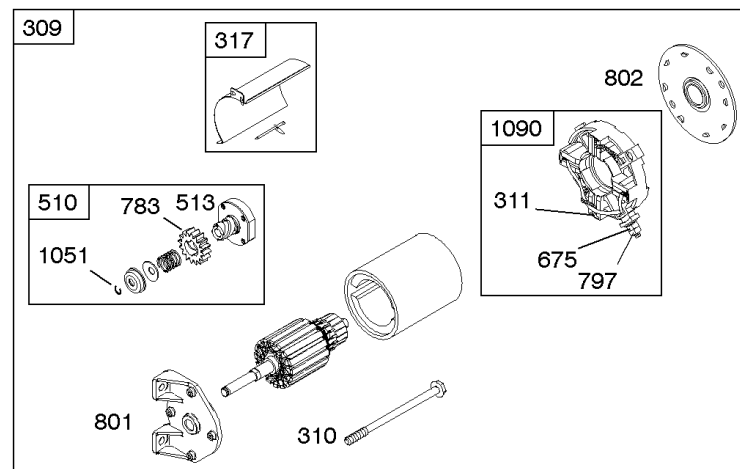
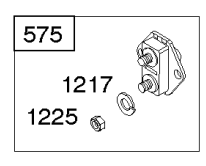
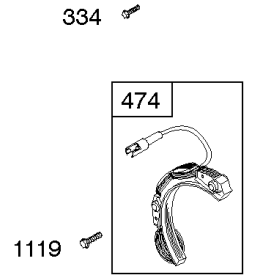
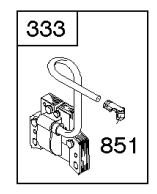
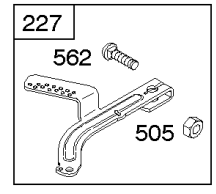
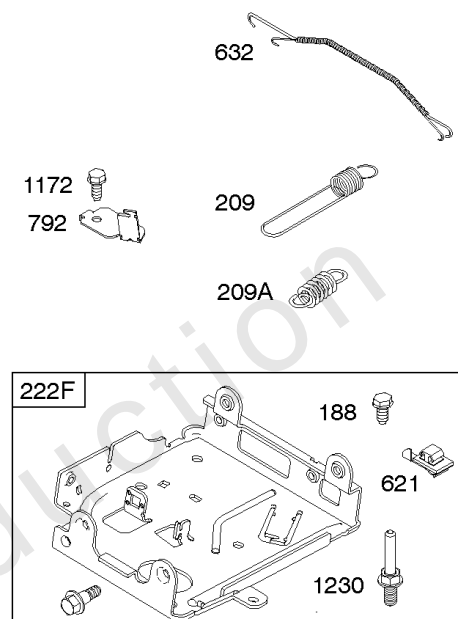
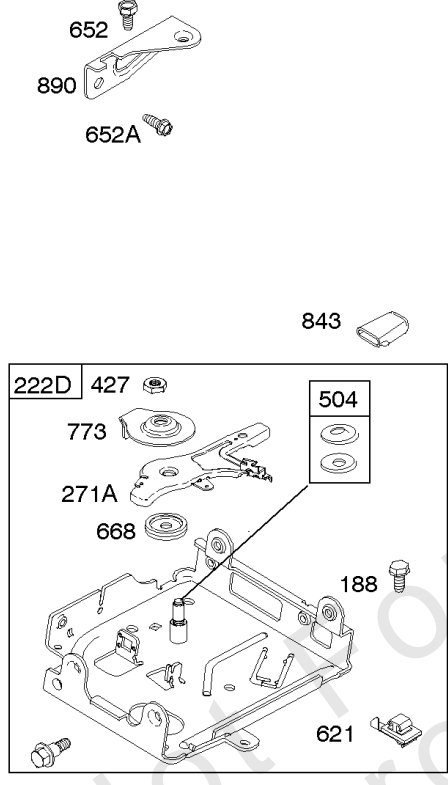
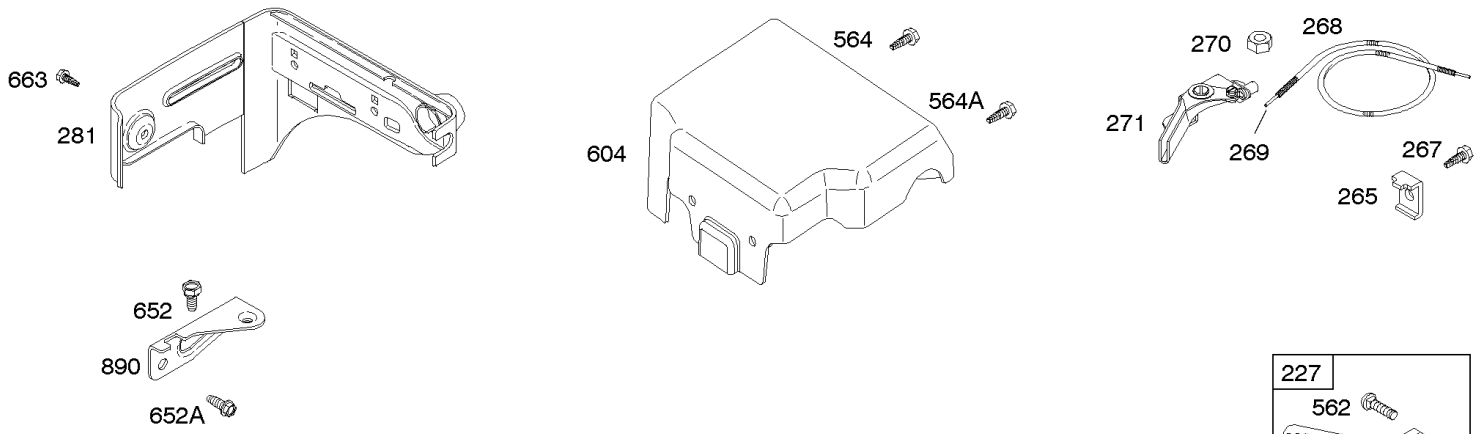
REF NO	PART NO	QTY	DESCRIPTION
993	694088		GASKET-CYL HD PLATE
1022	691890		GASKET-ROCKER COVER
1023	499924		COVER, Rocker
1026	790287		ROD, Push
1029	691230		ARM, Rocker -(SAE) -Used Before Code Date 09061800
1029	797443		ARM, Rocker -(Metric) -Used After Code Date 09061700
1034	691343		GUIDE-PUSH ROD
1095	791798		GASKET SET, Valve

Not For Reproduction



## Electric Starter, Governor Springs, Ignition

REF NO	PART NO	QTY	DESCRIPTION
188	699479		SCREW -(Control Bracket)
209	692571		SPRING, Governor
209A	691278		SPRING, Governor
222D	793107		BRACKET, Control
222F	793100		BRACKET, Control
227	794367		LEVER-GOVERNOR CONTRO
265	691024		CLAMP, Casing
267	699492		SCREW -(Casing Clamp)
268	691025		CASING, Control Wire -(Cut To Required Length)
269	691026		WIRE, Control -(Cut To Required Length)
270	691027		NUT -(Control Wire Casing)
271	691028		LEVER, Control
271A	694256		LEVER, Control
281	793122		PANEL, Control
309	694504		MOTOR, Starter
310	690323		SCREW -(Starter Motor)
311	497608		SET, Brush
317	695494		COVER, Starter
333	796964		ARMATURE, Magneto
334	699477		SCREW -(Magneto Armature)
347	697854		SWITCH, Rocker
356	693651		WIRE, Stop
356A	692390		WIRE, Stop
356C	695630		WIRE, Stop
356E	695814		WIRE, Stop
356F	697397		WIRE, Stop
356B	692602		WIRE-STOP
427	798458		NUT -(Control Bracket) (Metric)
427	694255		NUT -(Control Bracket) (SAE)
474	793640		ALTERNATOR
504	695383		SET, Friction Washer
505	691251		NUT -(Governor Control Lever)
510	499308		DRIVE-STARTER
513	692024		CLUTCH-DRIVE
562	691119		BOLT -(Governor Control Lever)
564	699491		SCREW -(Control Cover)
564A	699206		SCREW -(Control Cover)
575	692303		SWITCH-STARTING
578	695283		WIRE ASSEMBLY
604	697326		COVER-CONTROL
621	692310		SWITCH, Stop
632	693408		SPRING/LINK, Mechanical Governor



## Electric Starter, Governor Springs, Ignition

REF NO	PART NO	QTY	DESCRIPTION
652	699755		SCREW -(Support Bracket)
652A	699481		SCREW -(Support Bracket)
663	699206		SCREW -(Control Panel)
668	694257		SPACER
675	691261		WASHER -(Brush Retainer)
773	694258		RETAINER -(Control Bracket)
783	692353		GEAR-PINION
792	694259		BRACKET, Fixed Speed
797	691029		NUT -(Brush Retainer)
801	694482		CAP-DRIVE
802	691286		CAP-END
843	695588		SLEEVE, Lever
851	493880S		TERMINAL-SPARK PLUG
890	694933		BRACKET, Support
1051	691265		RING, Retaining
1054	280275		TIE, Cable
1059	793567		KIT-SCREW/WASHER
1090	691293		RETAINER-BRUSH
1119	699772		SCREW -(Alternator)
1172	699230		SCREW -(Fixed Speed Bracket)
1217	691075		WASHER -(Starting Switch)
1225	696198		NUT -(Starting Switch)
1230	699847		STUD -(Control Bracket)

## Replacement Engine - US & Canada

REF NO	PART NO	QTY	DESCRIPTION
	12S4920070	1	Replacement Engine
	695285	1	CAMSHAFT -Add Part
	694831	1	CAMSHAFT -Remove Part
-----			Top No-Load Speed: 3200 -Trim: ALL
-----			Service Note: Transfer Muffler and/or Spark Arrester Assembly from the original engine if suitable for additional service or add new parts as required
-----			Service Note: Transfer Governor Spring to replacement engine.
-----			Service Note: For all Go-Karts use only a Model 136200 series engine as a replacement, regardless of the original Model.

Not For Reproduction

