



GEOTEC Models

Division 3
Section B

Issued: 10/02
Revised:

GEOTEC E-25	63,50 mm	46,80 mm	148 cc
GEOTEC E-26	63,50 mm	49,20 mm	156 cc
GEOTEC E-27	66,60 mm	49,20 mm	172 cc
GEOTEC E-28	71,00 mm	49,20 mm	195 cc
GEOTEC G E-25	63,50 mm	46,80 mm	148 cc
GEOTEC G E-26	63,50 mm	49,20 mm	156cc
GEOTEC G E-27	66,60 mm	49,20 mm	172 cc
GEOTEC G E-28	71,00 mm	49,20 mm	195 cc

GEOTEC E-25	E-25000	E-25000A	E-25000B	E-25001	E-25001A
	E-25002	E-25003	E-25004	E-25007	E-25008
	E-25014A	E-25014B	E-25015A	E-25018	E-25049
	E-25100A	E-25107A			
GEOTEC E-26	E-26001A				
GEOTEC E-27	E-27000	E-27002	E-27002A	E-27004	E-27005
	E-27010	E-27014	E-27014A	E-27015	E-27015A
	E-27016A	E-27016B	E-27045A	E-27100B	E-27112A
	E-27145A				
GEOTEC E-28	E-28000	E-28000A	E-28000B	E-28001	E-28002
	E-28003	E-28003A	E-28004	E-28005	E-28007
	E-28007A	E-28008	E-28009A	E-28010A	E-28010B
	E-28012A	E-28013A	E-28014	E-28015A	E-28015B
	E-28016A	E-28019A	E-28040A	E-28050A	
GEOTEC G E-25	E-25009	E-25010	E-25810		
GEOTEC G E-26	E-26810	E-26810A	E-26812A	E-26813A	E-26814A
GEOTEC G E-27	E-27800	E-27800A	E-27802B		
GEOTEC G E-28	E-28802				

Tecumseh products made in Italy by

TECUMSEH EUROPA S.p.A.

GEOTEC - 1

GEOTEC Models

Issued: 10/02

Revised:



GEOTEC E-25	Carburettor	Rc. Starter	EI. Starter	Crankshaft	Idle Rpm +/- 200	High Rpm +/- 100
E-25000	23088011	14210076		16070106	2000	3150
E-25000A	23088011	14210090		16070106	2000	3150
E-25000B	23088011	14210090		16070106	2000	3150
E-25001	23088011	14210076		16070106	2000	3150
E-25001A	23088011	14210090		16070106	2000	3150
E-25002	23088011	14210076		16070106	2000	3150
E-25003	23088011	14210076		16070106	2000	3500
E-25004	23088011	14210090		16070106	2000	3150
E-25007	23088011	14210090		16070106	2000	3150
E-25008	23088011	14210090		16070106	2000	3150
E-25014A	23088011	14210090		16070106	2000	3150
E-25014B	23088011	14210090		16070106	2000	3150
E-25015A	23088011	14210090		16070106	2000	3150
E-25018	23088011	14210090		16070106	2000	3150
E-25049	23088011	14210090		16070106	2000	3150
E-25100A	23088011	14210090		16070106	2000	3150
E-25107A	23088011	14210090		16070106	2000	3150
GEOTEC E-26	Carburettor	Rc. Starter	EI. Starter	Crankshaft	Idle Rpm +/- 200	High Rpm +/- 100
E-26001A	23088013	14210090		16070109	2000	3150
GEOTEC E-27	Carburettor	Rc. Starter	EI. Starter	Crankshaft	Idle Rpm +/- 200	High Rpm +/- 100
E-27000	23088013	14210090		16070108	2000	3150
E-27002	23088013	14210090		16070108	2000	3150
E-27002A	23088013	14210090		16070108	2000	3150
E-27004	23088013	14210076		16070109	2000	3150
E-27005	23088013	14210076		16070108	2000	3150
E-27010	23025158	14210090		16070108	2000	3150
E-27014	23088013	14210090		16070109	2000	3150
E-27014A	23088013	14210090		16070109	2000	3150
E-27015	23025158	17410114		16070108	2000	3500
E-27015A	23025158	14210090		16070108	2000	3500
E-27016A	23088013	14210090		16070109	2000	3150
E-27016B	23088013	14210090		16070109	2000	3150
E-27045A	23088013	14210090		16070108	2000	3150
E-27100B	23088013	14210090		16070106	2000	3150
E-27112A	23088013	14210090		16070108	2000	3500
E-27145A	23088013	14210090		16070108	2000	3150
GEOTEC E-28	Carburettor	Rc. Starter	EI. Starter	Crankshaft	Idle Rpm +/- 200	High Rpm +/- 100
E-28000	23088010	14210076		16070108	2000	3150
E-28000A	23088010	14210090		16070108	2000	3150
E-28000B	23088010	14210090		16070108	2000	3150
E-28001	23088010	14210076		16070108	2000	3150
E-28002	23088010	14210076		16070108	2000	3150
E-28003	23088010	14210076		16070108	2000	3150
E-28003A	23088010	14210090		16070108	2000	3150
E-28004	23088010	14210090		16070109	2000	3150

Tecumseh products made in Italy by

TECUMSEH EUROPA S.p.A.



Sub-Assembly details by specification number for:

GEOTEC Models

Issued: 10/02

Revised:

Division

3

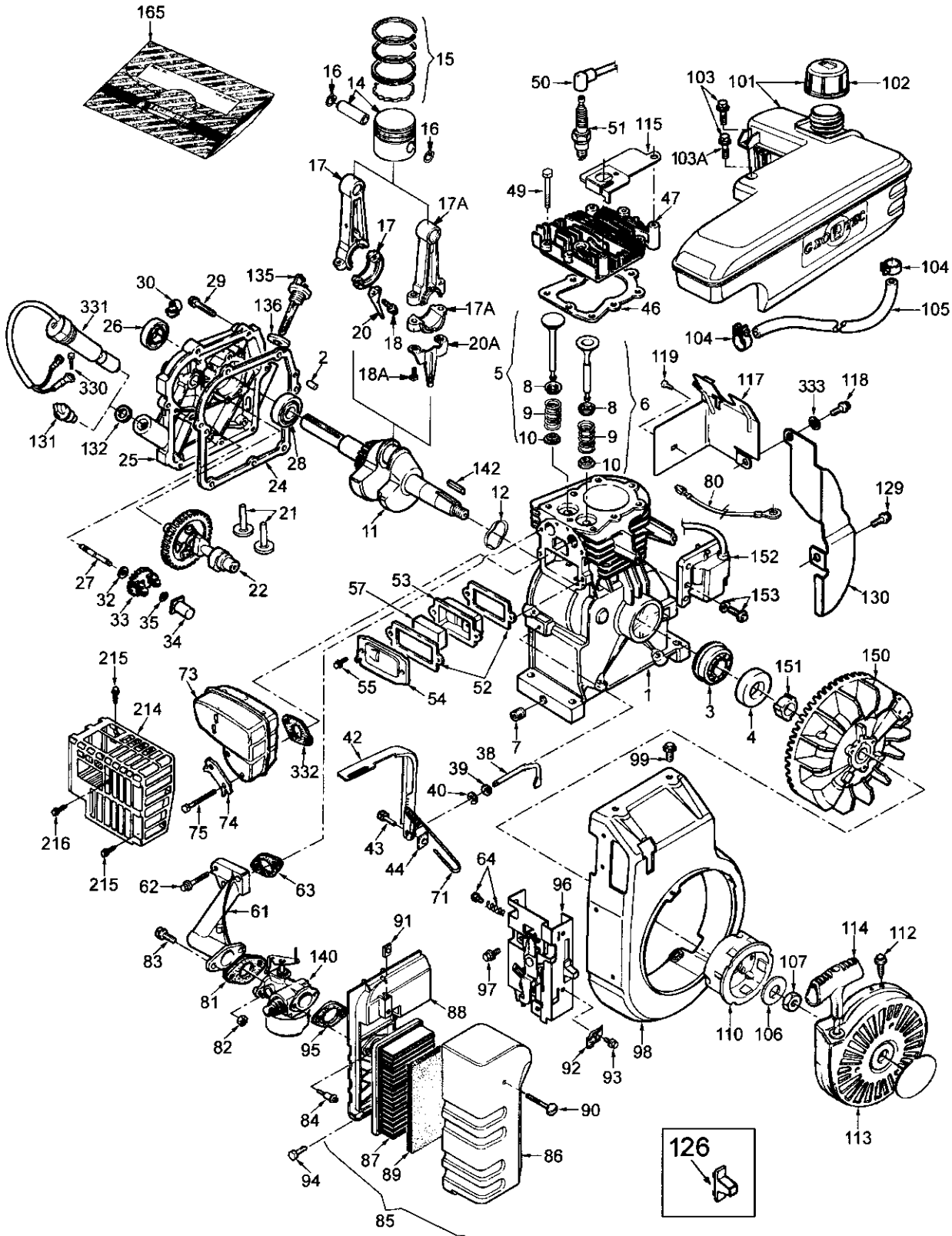
Section

B

GEOTEC E-28	Carburettor	Rc. Starter	El. Starter	Crankshaft	Idle Rpm +/- 200	High Rpm +/- 100
E-28005	23088010	14210090		16070108	2000	3150
E-28007	23088010	14210076		16070108	2000	3150
E-28007A	23088010	14210090		16070108	2000	3150
E-28008	23088010	14210076		16070108	2000	3150
E-28009A	23088010	14210090		16070108	2000	3150
E-28010A	23088010	14210090		16070108	2000	3000
E-28010B	23088010	14210090		16070108	2000	3350
E-28012A	23088010	14210090		16070108	2000	3150
E-28013A	23088010	14210090		16070108	2000	3000
E-28014	23088010	14210090		16070109	2000	3150
E-28015A	23088010	14210090		16070108	2000	3000
E-28015B	23088010	14210090		16070108	2000	3350
E-28016A	23088010	14210090	16410002	16070108	2000	3000
E-28019A	23088010	14210090		16070108	2000	3350
E-28040A	23088010	14210090		16070108	2000	3150
E-28050A	23088010	14210090		16070108	2000	3150
GEOTEC G E-25	Carburettor	Rc. Starter	El. Starter	Crankshaft	Idle Rpm +/- 200	High Rpm +/- 100
E-25009	23088011	14210090		16070123	2000	3150
E-25010	23088011	14210090		16070123	2000	3150
E-25810	23088011	14210090		16070123	2000	3150
GEOTEC G E-26	Carburettor	Rc. Starter	El. Starter	Crankshaft	Idle Rpm +/- 200	High Rpm +/- 100
E-26810	23025158	17410111		16070110	2000	3150
E-26810A	23025158	14210090		16070110	2000	3150
E-26812A	23025158	14210090		16070110	2000	3150
E-26813A	23025158	14210090		16070110	2000	3150
E-26814A	23025158	14210090		16070110	2000	3150
GEOTEC G E-27	Carburettor	Rc. Starter	El. Starter	Crankshaft	Idle Rpm +/- 200	High Rpm +/- 100
E-27800	23025158	14210090		16070110	2000	3150
E-27800A	23020160	14210090		16070110	2000	3150
E-27802B	23025158	14210090		16070110	2000	3150
GEOTEC G E-28	Carburettor	Rc. Starter	El. Starter	Crankshaft	Idle Rpm +/- 200	High Rpm +/- 100
E-28802	23025156	14210090		16070110	2000	3150

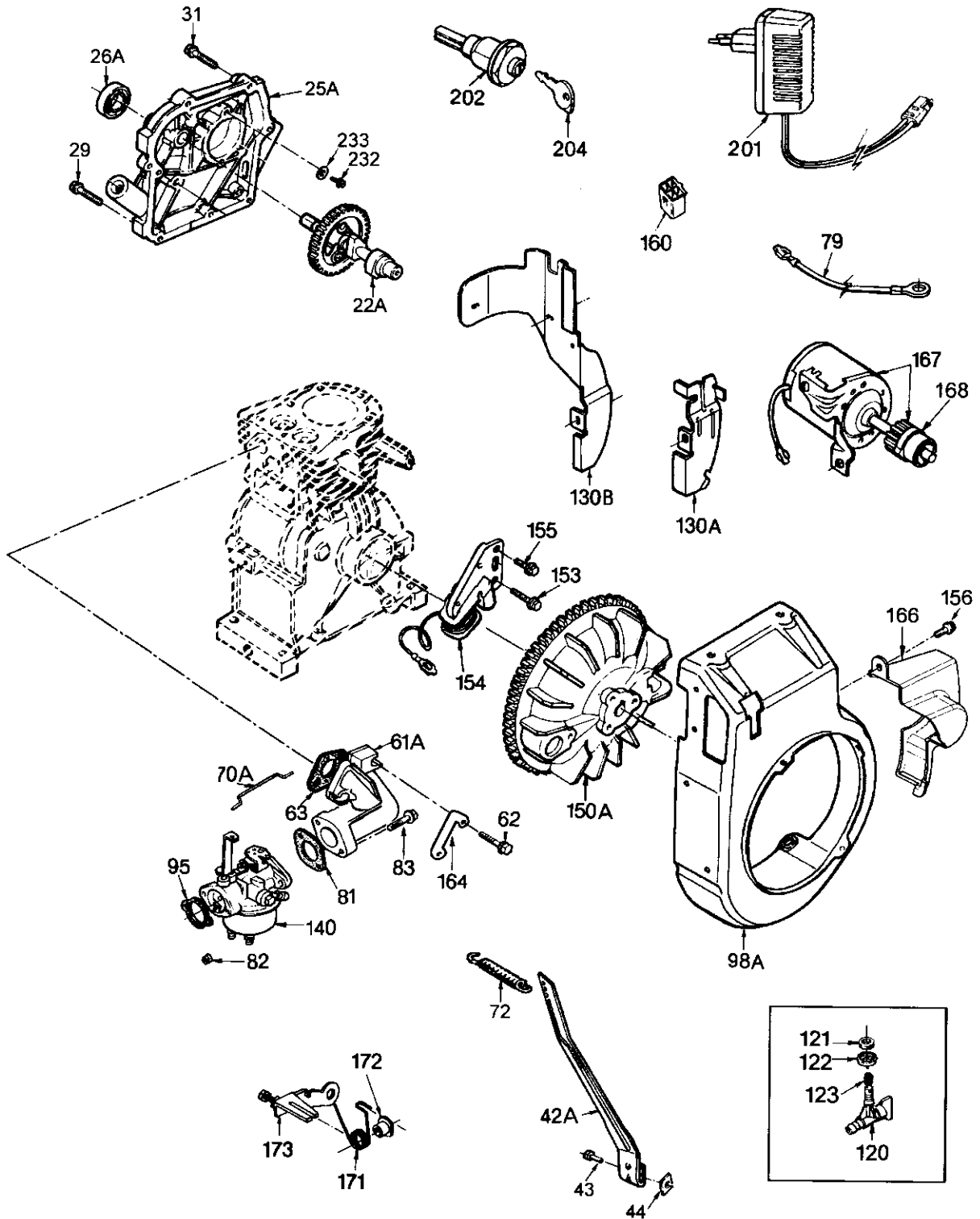
Tecumseh products made in Italy by

TECUMSEH EUROPA S.p.A.



Tecumseh products made in Italy by

TECUMSEH EUROPA S.p.A.



3	Division
	Section
B	

GEOTEC Models



Issued: 10/02
Revised:

Ref.No.	Part No.	Part Name
1	16010081	Cylinder Assy. (Inc.-2,3,4,7)(71,00 mm Bore) E-28016A
1	16010084	Cylinder Assy. (Inc.-2,3,4,7)(71,00 mm Bore) E-28000 ,000A,000B,001,002,003,003A,004,005,007,007A,008,009A,010A,010B,012A,013A, ,014,015A,015B,019A,040A,050A,802
1	16010085	Cylinder Assy. (Inc.-2,3,4,7)(63.50 mm Bore) E-25000 ,000A,000B,001,001A,002,003,004,007,008,009,010,014A,014B,015A,018,049, ,100A,107A,810 E-26001A ,810,810A,812A,813A,814A
1	16010088	Cylinder Assy. (Inc.-2,3,4,7)(66.60 mm Bore) E-27000 ,002,002A,004,005,010,014,014A,015,015A,016A,016B,045A,100B,112A,145A, ,800,800A,802B
2	29410001	Dowel Pin
3	27430009	Ball Bearing
4	29610034 *	Oil Seal
5	16130001	Intake Valve (Inc.-9,10)(Std)
5	16130002	Intake Valve (Inc.-9,10)(OS. 0.80 mm)
6	16140009	Exhaust Valve (Inc.-9,10)(Std)
6	16140010	Exhaust Valve (Inc.-9,10)(OS. 0.80 mm)
7	29320003	Oil Drain Plug E-25000 ,000A,000B,002,003,004,007,008,009,010,014A,014B,015A,018,049,100A,107A, ,810 E-26001A ,810,810A,812A,813A,814A E-27000 ,002,002A,004,005,010,014,014A,015,015A,016A,016B,045A,100B,112A,145A, ,800,800A,802B E-28000 ,000A,000B,002,003,003A,004,005,007,007A,008,009A,010A,010B,012A,013A, ,014,015A,015B,016A,019A,040A,050A,802
7	29320096	Oil Drain Plug E-25001 ,001A E-28001
8	22470008	Upper Valve Spring Keeper E-25000 ,001,002,003 E-28000 ,001,002,003,007
9	27910003	Valve Spring
10	22470006	Lower Valve Spring Keeper
11	16070106	Crankshaft E-25000 ,000A,000B,001,001A,002,003,004,007,008,014A,014B,015A,018,049,100A,107A
11	16070108	Crankshaft E-27000 ,002,002A,005,010,015,015A,045A,100B,112A,145A E-28000 ,000A,000B,001,002,003,003A,005,007,007A,008,009A,010A,010B,012A,013A, ,015A,015B,016A,019A,040A,050A
11	16070109	Crankshaft E-26001A E-27004 ,014,014A,016A,016B E-28004 ,014
11	16070110	Crankshaft E-26810 ,810A,812A,813A,814A E-27800 ,800A,802B E-28802
11	16070123	Crankshaft E-25009 ,010,810
12	29520024	Thrust Washer E-25015A E-28008 ,009A,019A

Note: Always check Master Price List for replacement part numbers.

Tecumseh products made in Italy by

TECUMSEH EUROPA S.p.A.



GEOTEC Models

Issued: 10/02
Revised:

Division	3
Section	B

Ref.No.	Part No.	Part Name
12	29590029	Thrust Washer E-25000 ,000A,000B,001,001A,002,003,004,007,008,009,010,014A,014B,018,049,100A,107A,810 E-26001A ,810,810A,812A,813A,814A E-27000 ,002,002A,004,005,010,014,014A,015,015A,016A,016B,045A,100B,112A,145A,800,800A,802B E-28000 ,000A,000B,001,002,003,003A,004,005,007,007A,010A,010B,012A,013A,014,015A,015B,016A,040A,050A,802
14	16090007	Piston & Pin Assy. (Inc.-16)(Std 63.50 mm Bore)
14	16090008	Piston & Pin Assy. (Inc.-16)(OS. 0.25 mm)
14	16090009	Piston & Pin Assy. (Inc.-16)(OS. 0.50 mm) E-25000 ,000A,000B,001,001A,002,003,004,007,008,009,010,014A,014B,015A,018,049,100A,107A,810 E-26001A ,810,810A,812A,813A,814A
14	16090027	Piston & Pin Assy. (Inc.-16)(OS. 0.25 mm)
14	16090028	Piston & Pin Assy. (Inc.-16)(OS. 0.50 mm)
14	16090029	Piston & Pin Assy. (Inc.-16)(Std 66.60 mm Bore) E-27000 ,002,002A,004,005,010,014,014A,015,015A,016A,016B,045A,100B,112A,145A
14	16090030	Piston & Pin Assy. (Inc.-16)(Std 66.60 mm Bore)
14	16090031	Piston & Pin Assy. (Inc.-16)(OS. 0.25 mm)
14	16090032	Piston & Pin Assy. (Inc.-16)(OS. 0.50 mm) E-27800 ,800A,802B
14	16090033	Piston & Pin Assy. (Inc.-16)(Std 71.00 mm Bore)
14	16090034	Piston & Pin Assy. (Inc.-16)(OS. 0.25 mm)
14	16090035	Piston & Pin Assy. (Inc.-16)(OS. 0.50 mm) E-28000 ,000A,000B,001,002,003,003A,004,005,007,007A,008,009A,010A,010B,012A,013A,014,015A,015B,016A,019A,040A,050A,802
15	16100009	Ring Set (Std 63.50 mm Bore)
15	16100010	Ring Set (OS. 0.25 mm)
15	16100011	Ring Set (OS. 0.50 mm) E-25000 ,000A,000B,001,001A,002,003,004,007,008,009,010,014A,014B,015A,018,049,100A,107A,810 E-26001A ,810,810A,812A,813A,814A
15	16100012	Ring Set (Std 66.60 mm Bore)
15	16100013	Ring Set (OS. 0.25 mm)
15	16100014	Ring Set (OS. 0.50 mm) E-27800A
15	16100015	Ring Set (Std 66.60 mm Bore)
15	16100016	Ring Set (OS. 0.25 mm)
15	16100017	Ring Set (OS. 0.50 mm) E-27800 ,802B
15	16100018	Ring Set (Std 66.60 mm Bore)
15	16100019	Ring Set (OS. 0.25 mm)
15	16100020	Ring Set (OS. 0.50 mm) E-27000 ,002,002A,004,005,010,014,014A,015,015A,016A,016B,045A,100B,112A,145A
15	16100024	Ring Set (Std 71.00 mm Bore)
15	16100025	Ring Set (OS. 0.25 mm)
15	16100026	Ring Set (OS. 0.50 mm) E-28000 ,000A,000B,001,002,003,003A,004,005,007,007A,008,009A,010A,010B,012A,013A,014,015A,015B,016A,019A,040A,050A,802
16	29450004	Piston Pin Retainer
17	16110011	Connecting Rod (Inc.-18,20) E-26001A ,810,810A,812A,813A,814A E-27000 ,002,002A,004,005,010,014,014A,015,015A,016A,016B,045A,100B,112A,145A,800,800A,802B E-28000 ,000A,000B,001,002,003,003A,004,005,007,007A,008,009A,010A,010B,012A,013A,014,015A,015B,016A,019A,040A,050A,802

Note: Always check Master Price List for replacement part numbers.

Tecumseh products made in Italy by

TECUMSEH EUROPA S.p.A.

3 B	Division
	Section

GEOTEC Models

Issued: 10/02
Revised:



Ref.No.	Part No.	Part Name
17A	16110005	Connecting Rod (Inc.-18A,20A) E-25000 ,000A,000B,001,001A,002,003,004,007,008,009,010,014A,014B,015A,018,049,100A,107A,810
18	29190164	Screw 1/4-20 (L=23mm) E-26001A ,810,810A,812A,813A,814A E-27000 ,002,002A,004,005,010,014,014A,015,015A,016A,016B,045A,100B,112A,145A,800,800A,802B E-28000 ,000A,000B,001,002,003,003A,004,005,007,007A,008,009A,010A,010B,012A,013A,014,015A,015B,016A,019A,040A,050A,802
18A	29190171	Screw 1/4-20 (L=24mm) E-25000 ,000A,000B,001,001A,002,003,004,007,008,009,010,014A,014B,015A,018,049,100A,107A,810
20	22330006	Oil Dipper E-26001A ,810,810A,812A,813A,814A E-27000 ,002,002A,004,005,010,014,014A,015,015A,016A,016B,045A,100B,112A,145A,800,800A,802B E-28000 ,000A,000B,001,002,003,003A,004,005,007,007A,008,009A,010A,010B,012A,013A,014,015A,015B,016A,019A,040A,050A,802
20A	22330005	Oil Dipper E-25000 ,000A,000B,001,001A,002,003,004,007,008,009,010,014A,014B,015A,018,049,100A,107A,810
21	22440001	Valve Lifter
22	16120012	Camshaft (MCR)
22	16120012	Camshaft E-26001A ,810,812A,813A,814A E-27000 ,002,002A,004,005,015,800,802B
22	16120018	Camshaft
22	16120018	Camshaft (MCR) E-26810A E-27010 ,014,014A,015A,016A,016B,045A,100B,112A,145A,800A E-28000 ,000A,000B,001,004,005,007,007A,008,009A,010A,010B,012A,013A,014,015A,015B,016A,019A,040A,050A,802
22	22410075	Camshaft (RCR) E-25000 ,001,002,003,009
22	22410077	Camshaft (RCR) E-25000A ,000B,001A,004,007,008,014A,014B,015A,018,049,100A,107A
22	22410079	Camshaft (MCR) E-25010 ,810
22A	16120019	Camshaft (MCR) E-28002 ,003,003A
24	29630020	Cylinder Cover Gasket
24	29630020	* Cylinder Cover Gasket
25	16040013	Cylinder Cover (Inc.-26,27,28) E-25810
25	16040016	Cylinder Cover (Inc.-26,27,28) E-25000 ,000A,000B,001,001A,002,003,004,007,008,009,010,014A,014B,015A,018,049,100A,107A E-26001A ,810,810A,812A,813A,814A E-27000 ,002,002A,004,005,010,014,014A,015,015A,016A,016B,045A,100B,112A,145A,800,800A,802B E-28000 ,000A,000B,001,004,005,007,007A,008,009A,010A,010B,012A,013A,014,015A,015B,016A,019A,040A,050A,802
25A	16040017	Cylinder Cover (Inc.-26,26A,27,28,232,233) E-28002 ,003,003A

Note: Always check Master Price List for replacement part numbers.

Tecumseh products made in Italy by

TECUMSEH EUROPA S.p.A.



GEOTEC Models

Issued: 10/02
Revised:

Division	3
Section	B

Ref.No.	Part No.	Part Name
26	29610002 *	Oil Seal E-25000 ,000A,000B,001,001A,002,003,004,007,008,009,010,014A,014B,015A,018,049,100A,107A,810 E-26001A ,810,810A,812A,813A,814A E-27000 ,002,002A,004,005,010,014,014A,015,015A,016A,016B,045A,100B,112A,145A,800,800A,802B E-28000 ,000A,000B,001,003A,004,005,007,007A,008,009A,010A,010B,012A,013A,014,015A,015B,016A,019A,040A,050A,802
26A	29610068 *	Oil Seal
26A	29610068	Oil Seal E-28002 ,003,003A
27	22720011	Governor Shaft
28	27430001	Ball Bearing
29	29190171	Screw 1/4-20 (L=24mm)
30	29490005	Fuel Line Clamp E-25000 ,000A,000B,001,001A,002,003,004,007,008,009,010,014A,014B,015A,018,049,100A,107A,810 E-26001A ,810,810A,812A,813A,814A E-27000 ,002,002A,004,005,010,014,014A,015,015A,016A,016B,045A,100B,112A,145A,800,802B E-28000 ,000A,000B,001,004,005,007,007A,008,009A,010A,010B,012A,013A,014,015A,015B,016A,019A,040A,050A,802
31	29190315	Screw 1/4-20 (L=32mm) E-28002 ,003,003A
32	29510015	Washer
33	16170005	Governor Gear
34	22740010	Governor Spool
35	29450005	Governor Gear Retainer
38	22750017	Governor Rod
39	29510010	Washer E-25000 ,000A,000B,001,001A,002,003,004,007,008,009,010,014A,014B,015A,018,049,100A,107A,810 E-26001A ,810A,812A,813A,814A E-27000 ,002,002A,004,005,010,014,014A,015,015A,016A,016B,045A,100B,112A,145A,800A E-28000 ,000A,000B,001,002,003,003A,004,005,007,007A,008,009A,010A,010B,012A,013A,014,015A,015B,016A,019A,040A,050A
39	29510015	Washer E-26810 E-28802
40	29450021	Governor Rod Retainer
42	27240145	Governor Lever E-25000 ,000A,000B,001,001A,002,003,004,007,008,009,010,014A,014B,015A,018,049,100A,107A,810 E-26001A ,810,810A,812A,813A,814A E-27000 ,002,002A,004,005,010,014,014A,015,015A,016A,016B,045A,100B,112A,145A,800,802B E-28000 ,000A,000B,001,002,003,003A,004,005,007,007A,008,009A,010A,010B,012A,013A,014,015A,015B,016A,019A,040A,050A,802
42A	27240138	Governor Lever E-27800A
43	29160003	Screw M5 (L=20mm)
44	29220006	Nut M5
46	29620013	Cylinder Head Gasket
46	29620013 *	Cylinder Head Gasket E-28000 ,000A,000B,001,002,003,003A,004,005,007,007A,008,009A,010A,010B,012A,013A,014,015A,015B,016A,019A,040A,050A,802

Note: Always check Master Price List for replacement part numbers.

Tecumseh products made in Italy by
TECUMSEH EUROPA S.p.A.

3	Division
B	Section

GEOTEC Models



Issued: 10/02
Revised:

Ref.No.	Part No.	Part Name
46	29620015	* Cylinder Head Gasket E-25000 ,000A,000B,001,001A,002,003,004,007,008,009,010,014A,014B,015A,018,049,100A,107A,810 E-26001A ,810,810A,812A,813A,814A
46	29620016	* Cylinder Head Gasket E-27000 ,002,002A,004,005,010,014,014A,015,015A,016A,016B,045A,100B,112A,145A,800,800A,802B
47	21210019	Cylinder Head E-25000 ,000A,000B,001,001A,002,003,004,007,008,009,010,014A,014B,015A,018,049,100A,107A,810 E-26001A ,810,810A,812A,813A,814A
47	21210020	Cylinder Head E-27000 ,002,002A,004,005,010,014,014A,015,015A,016A,016B,045A,100B,112A,145A,800,800A,802B E-28000 ,000A,000B,001,002,003,003A,004,005,007,007A,008,009A,010A,010B,012A,013A,014,015A,015B,016A,019A,040A,050A,802
49	29180063	Screw 5/16-18 (L=36mm)
50	15950001	Spark Plug Cover
51	29010007	Spark Plug E-25000 ,001,002,003 E-28000 ,000A,000B,001,002,003,003A,004,005,007,007A,008,009A,010A,010B,012A,013A,014,015A,015B,016A,019A,040A,050A,802
51	29010015	Spark Plug E-25000A ,000B,001A,004,007,008,009,010,014A,014B,015A,018,049,100A,107A,810 E-26001A ,810,810A,812A,813A,814A E-27000 ,002,002A,004,005,010,014,014A,015,015A,016A,016B,045A,100B,112A,145A,800,800A,802B
52	29630004	* Valve Cover Gasket
53	16190005	Breather Assy. E-25000 ,001,002,003 E-28000 ,001,002,003,007
53	16190008	Breather Assy. E-25000A ,000B,001A,004,007,008,009,010,014A,014B,015A,018,049,100A,107A,810 E-26001A ,810,810A,812A,813A,814A E-27000 ,002,002A,004,005,010,014,014A,015,015A,016A,016B,045A,100B,112A,145A,800,800A,802B E-28000A ,000B,003A,004,005,007A,008,009A,010A,010B,012A,013A,014,015A,015B,016A,019A,040A,050A,802
54	21660010	Valve Cover
55	29190169	Screw 10-24 (L=15mm)
57	27140001	Breather Element E-25100A ,107A E-27014A ,016A,016B,100B,112A,145A,800A E-28003A ,007A,009A,010A,010B,012A,013A,015A,015B,016A,019A,040A
61	28510041	Intake Pipe E-25000 ,000A,000B,001,001A,002,003,004,007,008,009,010,014A,014B,015A,018,049,100A,107A,810 E-26001A ,810,810A,812A,813A,814A E-27000 ,002,002A,004,005,010,014,014A,015,015A,016A,016B,045A,100B,112A,145A,800,802B E-28000 ,000A,000B,001,002,003,003A,004,005,007,007A,008,009A,010A,010B,012A,013A,014,015A,015B,016A,019A,040A,050A,802
61A	28510037	Intake Pipe E-27800A
62	29190171	Screw 1/4-20 (L=24mm) E-25000 ,000A,000B,001,001A,002,003,004,007,008,009,010,014A,014B,015A,018,049,100A,107A,810 E-26001A ,810,810A,812A,813A,814A E-27000 ,002,002A,004,005,010,014,014A,015,015A,016A,016B,045A,100B,112A,145A,800,802B E-28000 ,000A,000B,001,002,003,003A,004,005,007,007A,008,009A,010A,010B,012A,013A,014,015A,015B,016A,019A,040A,050A,802

Note: Always check Master Price List for replacement part numbers.

Tecumseh products made in Italy by

TECUMSEH EUROPA S.p.A.



GEOTEC Models

Issued: 10/02
Revised:

Division	3
Section	B

Ref.No.	Part No.	Part Name
62	29190172	Screw 1/4-20 (L=28mm) E-27800A
63	29630093 *	Intake Pipe Gasket
64	16630023	Control Screws Set
64	16630023	E-25000 ,000A,000B,001,001A,002,003,004,007,008,009,010,014A,014B,015A,018,049,100A,107A,810 E-26001A E-27000 ,002,002A,004,005,010,014,014A,015,015A,016A,016B,045A,100B,112A,145A E-28000 ,000A,000B,001,002,003,003A,004,005,007,007A,008,009A,010A,010B,012A,013A,014,015A,015B,016A,019A,040A,050A
70A	27250029	Throttle Link E-27800A
71	27920175	Governor Spring E-25000 ,001,002,003 E-28000 ,001,002,003,007
71	27920178	Governor Spring E-25000A ,000B,001A,004,007,008,009,010,014A,014B,015A,018,049,100A,107A,810 E-26001A ,810,810A,812A,813A,814A E-27000 ,002,002A,004,005,010,014,014A,015,015A,016A,016B,045A,100B,112A,145A,800,802B E-28000A ,000B,003A,004,005,007A,008,009A,010A,010B,012A,013A,014,015A,015B,016A,019A,040A,050A,802
72	27920120	Release Spring E-27800A
73	21520149	Muffler E-25002 ,004,014A,014B,810 E-26814A E-27002 ,002A,015,015A,016B,112A,145A,802B E-28007 ,007A,013A,016A,019A
73	21520151	Muffler E-25000 ,000A,000B,001,001A,007,008,009,015A,018,049,100A,107A E-26001A ,812A,813A E-27000 ,004,005,010,014,014A,016A,045A,100B,800 E-28000 ,000A,000B,001,002,003,003A,004,005,008,009A,010A,010B,012A,014,015A,015B,040A,050A,802
73	21520155	Muffler E-25003
74	27530005	Lock Plate
75	29190152	Screw 1/4-20 (L=70mm) E-25000 ,000A,000B,001,001A,002,003,004,007,008,009,014A,014B,015A,018,049,100A,107A,810 E-26001A ,812A,813A,814A E-27000 ,002,002A,004,005,010,014,014A,015,015A,016A,016B,045A,100B,112A,145A,800,800A,802B E-28000 ,000A,000B,001,002,003,003A,004,005,007,007A,008,009A,010A,010B,012A,013A,014,015A,015B,016A,019A,040A,050A,802
79	14940020	Ground Wire (To Battery) E-28016A
80	14940051	Ground Wire E-28013A ,016A
80	16380001	Ground Wire E-25000 ,000A,000B,001,001A,002,003,004,007,008,009,010,014A,014B,015A,018,049,100A,107A,810 E-26001A ,810,810A,812A,813A,814A E-27000 ,002,002A,004,005,010,014,014A,015,015A,016A,016B,045A,100B,112A,145A,800,800A,802B E-28000 ,000A,000B,001,002,003,003A,004,005,007,007A,008,009A,010A,010B,012A,014,015A,015B,019A,040A,050A,802
81	29630013 *	Carburettor Gasket
82	29210013	Nut 1/4-20

Note: Always check Master Price List for replacement part numbers.

Tecumseh products made in Italy by
TECUMSEH EUROPA S.p.A.

3	Division
	Section
B	

GEOTEC Models

Issued: 10/02
Revised:



Ref.No.	Part No.	Part Name
83	29190219	Screw 1/4-20 (L=22mm)
84	29190208	Screw 10-32 (L=16mm)
	E-25000	,000A,000B,001,001A,002,003,004,007,008,009,010,014A,014B,015A,018,049,100A,107A,810
	E-26001A	,810,810A,812A,813A,814A
	E-27000	,002,002A,004,005,010,014,014A,015,015A,016A,016B,045A,100B,112A,145A,800,802B
	E-28000	,000A,000B,001,002,003,003A,004,005,007,007A,008,009A,010A,010B,012A,013A,014,015A,015B,016A,019A,040A,050A,802
85	16290027	Air Filter Assy. (Inc.-86,87,88,89,90,91)
	E-25000	,000A,001,001A,002,003,004,007,008,009,010,014A,014B,015A,018,810
	E-26001A	,810,810A,812A,813A,814A
	E-27000	,002,002A,004,005,010,014,014A,015,015A,016A,045A,800
	E-28000	,000A,000B,001,002,003,003A,004,005,007,007A,008,009A,010A,012A,013A,014,015A,016A,019A,040A,050A,802
85	16290031	Air Filter Assy. (Inc.-86,87,88,89,90,91)
85	16290031	
	E-25000B	,049,100A,107A
	E-27016B	,100B,112A,145A,802B
	E-28010B	,015B
86	23430089	Air Filter Cover
	E-25000	,000A,001,001A,002,003,004,007,008,009,010,014A,015A,018,810
	E-26001A	,810,810A,812A,813A,814A
	E-27000	,002,002A,004,005,010,014,014A,015,015A,016A,045A,800
	E-28000	,000A,001,002,003,003A,004,005,007,007A,008,009A,010A,012A,013A,014,015A,016A,019A,040A,050A,802
86	23430094	
86	23430094	Air Filter Cover
	E-25000B	,014B,049,100A,107A
	E-27016B	,100B,112A,145A,802B
	E-28000B	,010B,015B
87	23410061	Air Cleaner Filter (Paper)
	E-25000	,000A,000B,001,001A,002,003,004,007,008,009,010,014A,014B,015A,018,049,100A,107A,810
	E-26001A	,810,810A,812A,813A,814A
	E-27000	,002,002A,004,005,010,014,014A,015,015A,016A,016B,045A,100B,112A,145A,800,802B
	E-28000	,000A,000B,001,002,003,003A,004,005,007,007A,008,009A,010A,010B,012A,013A,014,015A,015B,016A,019A,040A,050A,802
88	23420069	Air Filter Body
	E-25000	,000A,001,001A,002,003,004,007,008,009,010,014A,015A,018,810
	E-26001A	,810,810A,812A,813A,814A
	E-27000	,002,002A,004,005,010,014,014A,015,015A,016A,045A,800
	E-28000	,000A,001,002,003,003A,004,005,007,007A,008,009A,010A,012A,013A,014,015A,016A,019A,040A,050A,802
88	23420073	
88	23420073	Air Filter Body
	E-25000B	,014B,049,100A,107A
	E-27016B	,100B,112A,145A,802B
	E-28000B	,010B,015B
89	23410062	Air Cleaner Filter
90	29190242	Screw M5 (L=36 mm)
91	29220007	Nut M5
	E-25000	,000A,000B,001,001A,002,003,004,007,008,009,010,014A,014B,015A,018,049,100A,107A,810
	E-26001A	,810,810A,812A,813A,814A
	E-27000	,002,002A,004,005,010,014,014A,015,015A,016A,016B,045A,100B,112A,145A,800,802B
	E-28000	,000A,000B,001,002,003,003A,004,005,007,007A,008,009A,010A,010B,012A,013A,014,015A,015B,016A,019A,040A,050A,802

Note: Always check Master Price List for replacement part numbers.

Tecumseh products made in Italy by

TECUMSEH EUROPA S.p.A.



GEOTEC Models

Issued: 10/02
Revised:

Division	6 6 6
Section	

Ref.No.	Part No.	Part Name
92	29490004	Conduit Clip E-25000 ,000A,000B,001,001A,002,003,007,049,100A,107A E-27000 ,002,002A,010,100B E-28000 ,000A,000B,001,002,003,003A,007,007A,012A,040A
93	29190174	Screw 10-32 (L=6mm) E-25000 ,000A,000B,001,001A,002,003,007,100A,107A E-27000 ,002,002A,010,100B E-28000 ,000A,000B,001,002,003,003A,007,007A,012A,040A
94	29190091	Screw 10-32 (L=13mm) E-25000 ,000A,000B,001,001A,002,003,004,007,008,009,010,014A,014B,015A,018,049,100A,107A,810 E-26001A ,810,810A,812A,813A,814A E-27000 ,002,002A,004,005,010,014,014A,015,015A,016A,016B,045A,100B,112A,145A,800,802B E-28000 ,000A,000B,001,002,003,003A,004,005,007,007A,008,009A,010A,010B,012A,013A,014,015A,015B,016A,019A,040A,050A,802
95	29630086 *	Air Filter Gasket
96	17410105	Remote Speed Control (Inc.-64)
96	17410105	Manual Speed Control (Inc.-64,126) E-25000 ,000A,000B,001,001A,002,003,049,100A E-27000 ,002,002A,010,100B E-28000 ,000A,000B,001,002,003,003A,007,007A,012A,040A
96	17410109	Manual Speed Control (Inc.-64,126) E-25004 ,008 E-27004 ,005 E-28004 ,005,008
96	17410111	Fixed Speed Control
96	17410111	Fixed Speed Control (Inc.-64) E-25009 ,010,810 E-26810 ,810A,812A,813A,814A E-27800 ,802B E-28013A ,016A,802
96	17410113	Remote Speed Control (Inc.-64) E-25007 ,107A
96	17410114	Manual Speed Control (Inc.-64,126) E-25014A ,014B,015A,018 E-26001A E-27014 ,014A,015,015A,016A,016B,045A,112A,145A E-28009A ,010A,010B,014,015A,015B,019A,050A
97	29190177	Screw M5 (L=10mm) E-25000 ,000A,000B,001,001A,002,003,004,007,008,009,010,014A,014B,015A,018,049,100A,107A,810 E-26001A ,810,810A,812A,813A,814A E-27000 ,002,002A,004,005,010,014,014A,015,015A,016A,016B,045A,100B,112A,145A,800,802B E-28000 ,000A,000B,001,002,003,003A,004,005,007,007A,008,009A,010A,010B,012A,013A,014,015A,015B,016A,019A,040A,050A,802
98	24320247	Blower Housing E-25000 ,000A,000B,001,001A,002,003,004,007,008,009,010,014A,014B,015A,018,049,100A,107A,810 E-26001A ,810,810A,812A,813A,814A E-27000 ,002,002A,004,005,010,014,014A,015,015A,016A,016B,045A,100B,112A,145A,800,800A,802B E-28000 ,000A,000B,001,002,003,003A,004,005,007,007A,008,009A,010A,010B,012A,013A,014,015A,015B,019A,040A,050A,802
98A	24320249	Blower Housing E-28016A
99	29190038	Screw 1/4-20 (L=12mm)

Note: Always check Master Price List for replacement part numbers.

Tecumseh products made in Italy by
TECUMSEH EUROPA S.p.A.

3 B	Division
	Section

GEOTEC Models



Issued: 10/02
Revised:

Ref.No.	Part No.	Part Name
101	16210038	Fuel Tank (Inc.-102) E-25000 ,001,002,003,004,007,008,009,010,810 E-26810 E-27004 ,005 E-28000 ,001,002,003,005,007,008
101	16210040	Fuel Tank (Inc.-102) E-27000 ,002,010,014,015,800 E-28004 ,014,802
101	16210041	Fuel Tank (Inc.-102) E-25000A ,000B,001A,014A,014B,015A,018,049,100A,107A E-26001A ,810A,812A,813A,814A E-27002A ,014A,015A,016A,016B,045A,100B,112A,145A,802B E-28000A ,000B,003A,007A,009A,010A,010B,012A,013A,015A,015B,016A,019A,040A,050A
102	13350003	Fuel Filler Cap E-25000 ,000A,000B,001,001A,002,003,004,007,008,009,010,014A,014B,015A,018,049,100A,107A,810 E-26001A ,810,810A,812A,813A,814A E-27000 ,002,002A,004,005,010,014,014A,015,015A,016A,016B,045A,100B,112A,145A,800,802B E-28000 ,000A,000B,001,002,003,003A,004,005,007,007A,008,009A,010A,010B,012A,013A,014,015A,015B,016A,019A,040A,050A,802
103	29190091	Screw 10-32 (L=13mm) E-25000 ,000A,000B,001,001A,002,003,004,007,008,009,010,014A,014B,015A,018,049,100A,107A,810 E-26001A ,810,810A,812A,813A,814A E-27000 ,002,002A,004,005,010,014,014A,015,015A,016B,045A,100B,112A,145A,800,802B E-28000 ,000A,000B,001,002,003,003A,004,005,007,007A,008,009A,010A,010B,012A,013A,014,015A,015B,016A,019A,040A,050A,802
103	29190091	
103A	29190090	Screw 10-32 (L=14mm) E-25010 ,810 E-26810 E-27002 ,800,802B E-28802
104	29490031	Fuel Line Clamp
105	16270001	Fuel Line (Available only in 5m coils)
106	29510050	Belleville Washer
107	29210020	Nut 1/2-20
110	24220015	Starter Cup
112	29190180	Screw 8-32 (L=8mm)
113	14210076	Rewind Starter (Inc.-114) E-25000 ,001,002,003 E-27004 ,005 E-28000 ,001,002,003,007,008
113	14210090	Rewind Starter (Inc.-114) E-25000A ,000B,001A,004,007,008,009,010,014A,014B,015A,018,049,100A,107A,810 E-26001A ,810,810A,812A,813A,814A E-27000 ,002,002A,010,014,014A,015,015A,016A,016B,045A,100B,112A,145A,800,800A,802B E-28000A ,000B,003A,004,005,007A,009A,010A,010B,012A,013A,014,015A,015B,016A,019A,040A,050A,802
114	24230004	Starter Handle
115	27410145	Fuel Tank Bracket (Upper) E-25000 ,001,002,003,004,007,008,009,010,810 E-26810 E-27000 ,002,004,005,010,014,015,800 E-28000 ,001,002,003,004,005,007,008,014,802
115	27410157	Fuel Tank Bracket (Upper) E-25000A ,000B,001A,014A,014B,015A,018,049,100A,107A E-26001A ,810A,812A,813A,814A E-27002A ,014A,015A,016A,016B,045A,100B,112A,145A,802B E-28000A ,000B,003A,007A,009A,010A,010B,012A,013A,015A,015B,016A,019A,040A,050A

Note: Always check Master Price List for replacement part numbers.

Tecumseh products made in Italy by

TECUMSEH EUROPA S.p.A.



GEOTEC Models

Issued: 10/02
Revised:

Division	3
Section	B

Ref.No.	Part No.	Part Name
117	24330139	Protection Bracket E-25000 ,001,002,003,004,007,008,009,810 E-27004 ,005,015 E-28000 ,001,002,003,004,005,007,008
117	24330169	Protection Bracket E-25010 E-26810 E-27000 ,002,010,014,800 E-28014 ,802
117	24330174	Protection Bracket E-25000A ,000B,001A,014A,014B,015A,018,049,100A,107A E-26001A ,810A,812A,813A,814A E-27002A ,014A,015A,016A,016B,045A,100B,112A,145A,802B E-28000A ,000B,003A,007A,009A,010A,010B,012A,013A,015A,015B,016A,019A,040A,050A
118	29190038	Screw 1/4-20 (L=12mm) E-27800A
118	29190051	Screw 1/4-20 (L=10mm)
118	29190051	Screw 1/4-20 (L=15mm) E-25000A ,000B,001A,014A,014B,015A,018,049,100A,107A E-26001A ,810A,812A,813A,814A E-27002A ,014A,015A,016A,016B,045A,100B,112A,145A,802B E-28000A ,000B,003A,007A,010A,010B,012A,013A,015A,015B,016A,019A,040A,050A
118	29190310	Screw 1/4-20 (L=10mm) E-25000 ,001,002,003,004,007,008,009,010,810 E-26810 E-27000 ,002,004,005,010,014,015,800 E-28000 ,001,002,003,004,005,007,008,009A,014,802
119	29190186	Screw 10-24 (L=14mm)
120	16260003	Shut Off Valve
121	29610045	Shut-Off Gasket
122	29590034	Washer
123	23410011	Sinterized Filter E-27800A
126	24230019	Control Lever Knob E-25004 ,008,014A,014B,015A,018,049 E-26001A ,810A,813A,814A E-27002A ,004,005,010,014,014A,015A,016A,016B,045A,112A,145A E-28000A ,000B,004,005,008,009A,010A,010B,013A,014,015A,015B,016A,019A,050A
129	29190038	Screw 1/4-20 (L=12mm) E-25000 ,001,002,003,004,007,008,009,010,810 E-26810 E-27000 ,002,004,005,010,014,015,800,800A,802B E-28000 ,001,002,003,003A,004,005,007,007A,008,014,802
129	29190051	Screw 1/4-20 (L=15mm) E-25000A ,000B,001A,014A,014B,015A,018,049,107A E-26001A ,810A,812A,813A,814A E-27002A ,014A,015A,016A,016B,045A,100B,112A,145A E-28000A ,000B,009A,010A,010B,012A,013A,015A,015B,016A,019A,040A,050A
130	24330140	Protection Bracket E-25000 ,001,002,003,004,007,008,009,010,810 E-26810 E-27000 ,002,004,005,010,014,015,800 E-28000 ,001,002,003,004,005,007,008,014,802
130	27410159	Protection Bracket E-25000A ,000B,001A,014A,014B,015A,018,049,100A,107A E-26001A ,810A,812A,813A,814A E-27002A ,014A,015A,016A,016B,045A,100B,112A,145A,802B E-28000A ,000B,003A,007A,009A,010A,010B,012A,013A,015A,015B,019A,040A,050A
130A	14330013	Blower Housing Extension E-28016A

Note: Always check Master Price List for replacement part numbers.

Tecumseh products made in Italy by
TECUMSEH EUROPA S.p.A.

3 B	Division
	Section

GEOTEC Models



Issued: 10/02
Revised:

Ref.No.	Part No.	Part Name
130B	14330038	Blower Housing Extension E-27800A
131	29320041	Oil Filler Plug E-25000 ,000A,000B,001,001A,002,003,004,007,008,009,014A,014B,015A,018,049,100A,107A E-26001A ,813A,814A E-27000 ,002,002A,004,005,010,014,014A,015,015A,016A,016B,045A,100B,112A,145A,800A E-28000 ,000A,000B,001,002,003,003A,004,005,007,007A,008,009A,010A,010B,012A,013A,014,015A,015B,016A,019A,040A,050A,802
132	29630008	Oil Filler Gasket
132	29630008 *	Oil Filler Gasket E-25010 ,810 E-26810 ,810A,812A E-27800 ,800A,802B
132	29630096 *	Oil Filler Gasket E-25000 ,000A,000B,001,001A,002,003,004,007,008,009,014A,014B,015A,018,049,100A,107A E-26001A ,813A,814A E-27000 ,002,002A,004,005,010,014,014A,015,015A,016A,016B,045A,100B,112A,145A E-28000 ,000A,000B,001,002,003,003A,004,005,007,007A,008,009A,010A,010B,012A,013A,014,015A,015B,016A,019A,040A,050A,802
135	29320040	Oil Dipstick
136	29630094 *	Oil Dipstick Gasket E-25000 ,000A,000B,001,001A,002,003,004,007,008,009,010,014A,014B,015A,018,049,100A,107A,810 E-26001A ,810,810A,812A,813A,814A E-27000 ,002,002A,004,005,010,014,014A,015,015A,016A,016B,045A,100B,112A,145A,800,800A,802B E-28000 ,000A,000B,001,004,005,007,007A,008,009A,010A,010B,012A,013A,014,015A,015B,016A,019A,040A,050A,802
140	23020160	Carburettor E-27800A
140	23025156	Carburettor E-28802
140	23025158	Carburettor E-26810 ,810A,812A,813A,814A E-27010 ,015,015A,800,802B
140	23088010	Carburettor E-28000 ,000A,000B,001,002,003,003A,004,005,007,007A,008,009A,010A,010B,012A,013A,014,015A,015B,016A,019A,040A,050A
140	23088011	Carburettor E-25000 ,000A,000B,001,001A,002,003,004,007,008,009,010,014A,014B,015A,018,049,100A,107A,810
140	23088013	Carburettor E-26001A E-27000 ,002,002A,004,005,014,014A,016A,016B,045A,100B,112A,145A
142	29410009	Flywheel Key
150	14110023	Flywheel (Heavy) E-25010 E-28000B ,010B,012A,013A,015B,040A,050A
150	16630039	Repair Kit E-28002
150	24110032	Flywheel (Heavy) E-25000 ,001,002,003 E-27004 ,005 E-28000 ,001,003,007

Note: Always check Master Price List for replacement part numbers.

Tecumseh products made in Italy by

TECUMSEH EUROPA S.p.A.



GEOTEC Models

Issued: 10/02
Revised:

Division	3
Section	B

Ref.No.	Part No.	Part Name
150	24110045	Flywheel (Heavy) E-25000A ,000B,001A,004,007,008,009,014A,014B,015A,018,049,100A,107A,810 E-26001A ,810,810A,812A,813A,814A E-27000 ,002,002A,010,014,014A,015,015A,016A,016B,045A,100B,112A,145A,800,800A,802B E-28000A ,003A,004,005,007A,008,009A,010A,014,015A,019A,802
150A	14110024	Flywheel (Heavy) E-28016A
151	29490055	Flywheel Key Spacer
152	14160034	Solid State (Coil & Lamination)(Inc.-50) E-25000 ,001,002,003 E-28000 ,001,002,003,007
152	14160072	Solid State (Coil & Lamination)(Inc.-50) E-25000A ,000B,001A,004,007,008,009,010,014A,014B,015A,018,049,100A,107A,810 E-26001A ,810,810A,812A,813A,814A E-27000 ,002,002A,004,005,010,014,014A,015,015A,016A,016B,045A,100B,112A,145A,800,800A,802B E-28000A ,000B,003A,004,005,007A,008,009A,010A,010B,012A,013A,014,015A,015B,016A,019A,040A,050A,802
153	29190168	Screw 10-24 (L=24mm)
154	14450001	Alternator Coil
155	29190166	Screw 8-32 (L=11mm)
156	29190090	Screw 10-32 (L=14mm)
160	24450007	Connector E-28016A
164	27530025	Lock Plate E-27800A
165	16610030	Gasket Set
166	24330156	Starter Cover
167	16410002	Electric Starter Motor (Inc.-168)
168	16630037	Kit Starter Pinion E-28016A
171	27920119	Governor Spring
172	27470032	Governor Spring Bush
173	17410038	Governor Bracket E-27800A
201	24450010	Battery Charger
202	16360002	Switch Assy .
204	24450011	Ignition Key E-28016A
212	29520028	Thrust Washer E-25810
214	24330133	Muffler Guard
215	29190221	Self-threading Screw E-25000 ,000A,000B,001,001A,002,003,004,007,008,009,014A,014B,015A,018,049,100A,107A,810 E-26001A ,812A,813A,814A E-27000 ,002,002A,004,005,010,014,014A,015,015A,016A,016B,045A,100B,112A,145A,800,802B E-28000 ,000A,000B,001,002,003,003A,004,005,007,007A,008,009A,010A,010B,012A,013A,014,015A,015B,016A,019A,040A,050A,802
216	29190186	Screw 10-24 (L=14mm) E-25000 ,000A,000B,001,001A,002,003,004,007,008,009,010,014A,014B,015A,018,049,100A,107A,810 E-26001A ,812A,813A,814A E-27000 ,002,002A,004,005,010,014,014A,015,015A,016A,016B,045A,100B,112A,145A,800,802B E-28000 ,000A,000B,001,002,003,003A,004,005,007,007A,008,009A,010A,010B,012A,013A,014,015A,015B,016A,019A,040A,050A,802

Note: Always check Master Price List for replacement part numbers.

Tecumseh products made in Italy by

TECUMSEH EUROPA S.p.A.

3 B	Division
	Section

GEOTEC Models

Issued: 10/02
Revised:



Ref.No.	Part No.	Part Name
232	29190186	Screw 10-24 (L=14mm)
233	29510094	Washer E-28002 ,003,003A
235	19080003	Terminal Assy. E-25810
331	19710002	Oil Level Sensor E-25010 ,810 E-26810 ,810A,812A E-27800 ,802B
331	19710004	Oil Level Sensor E-27800A
332	29630002 *	Muffler Gasket E-25010 E-26810 ,810A E-27800A
333	29510010	Washer E-27800A
333	29510054	Washer E-25000A ,000B,001A,014A,014B,015A,018,049,100A,107A E-26001A ,810A,812A,813A,814A E-27002A ,014A,015A,016A,016B,045A,100B,112A,145A,802B E-28000A ,000B,003A,007A,009A,010A,010B,012A,013A,015A,015B,016A,019A,040A,050A
333	29510054	

Note: Always check Master Price List for replacement part numbers.

Tecumseh products made in Italy by

TECUMSEH EUROPA S.p.A.