

# REPAIR

# PARTS MANUAL

**Model F3554-280**



**12.5HP/38" Deck**

*012*  
*0-001*  
*USA*

## **HOW TO ORDER REPAIR PARTS**

Only use a factory repair part. Repair parts, except for the engine or the transmission, are available from the store where the unit was purchased, a service shop recommended by the store, or an authorized service shop found in the yellow pages of the telephone directory.

If you cannot get a repair part or service as described above, call or write to the Central Parts Distributor shown on the back page of this manual or write: **Customer Service Department, Outdoor Power Equipment, PO Box 8000, Jackson, TN 38308, 1-800-247-7464**. Collect telephone calls will not be accepted. When you order, include the following information: 1- Complete Model Number (see nameplate), 2- Date of Manufacture, 3- Complete Part Number, 4- Description, and (5) Quantity.

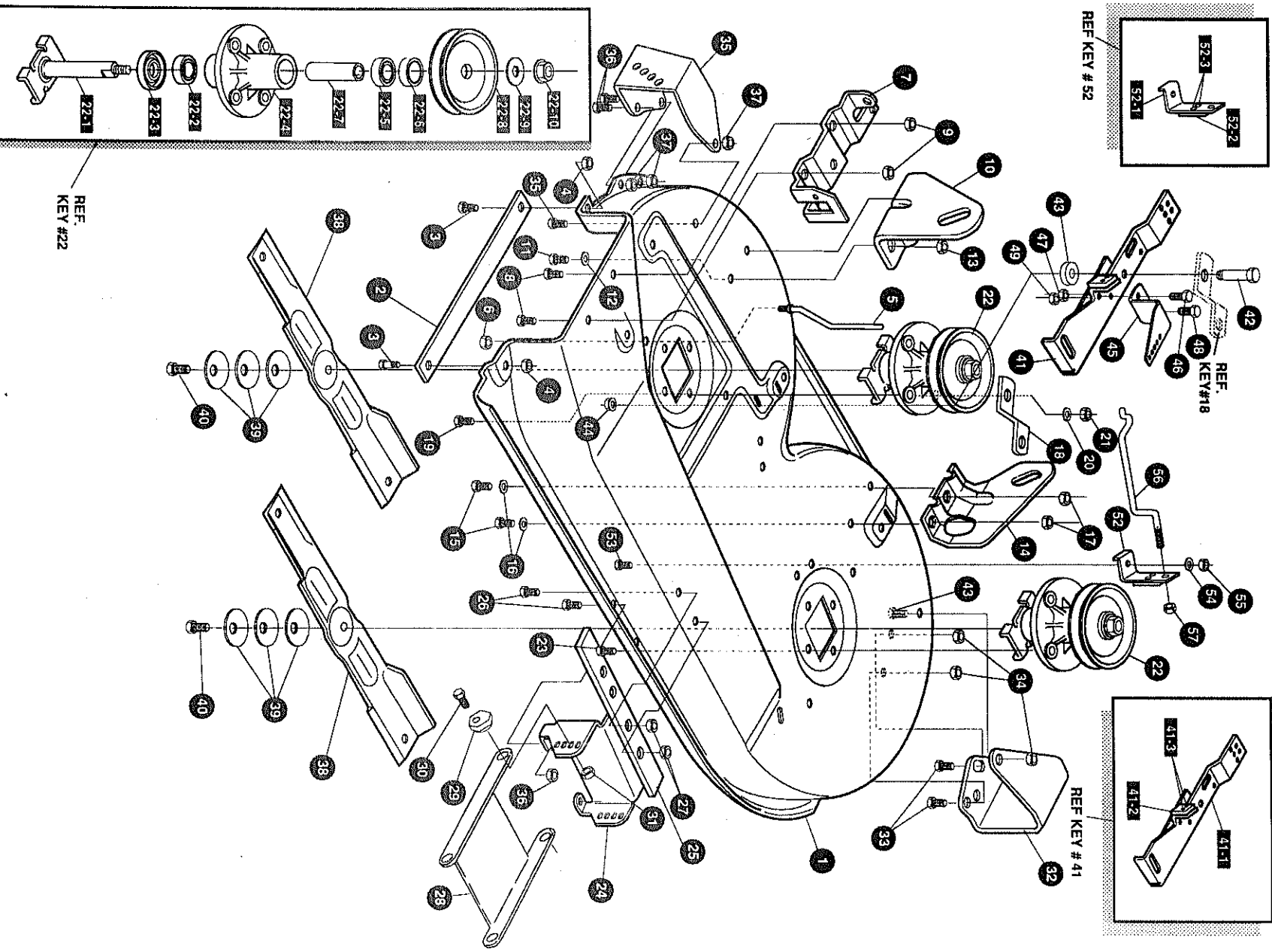
Repair parts for the engine or the transmission are available from the manufacturer's authorized service center found in the yellow pages of the telephone directory. See the individual engine or transmission warranties.

- Read and keep this parts list book for future reference.
- This parts list book contains drawings and part numbers necessary to obtain repair parts.
- Record the following information about your unit. This information is necessary when ordering parts or in case of loss or theft.

WHERE PURCHASED: \_\_\_\_\_

DATE PURCHASED: Month \_\_\_\_\_ Day \_\_\_\_\_ Year \_\_\_\_\_

MODEL NO.: \_\_\_\_\_ DATE OF MANUFACTURE: \_\_\_\_\_

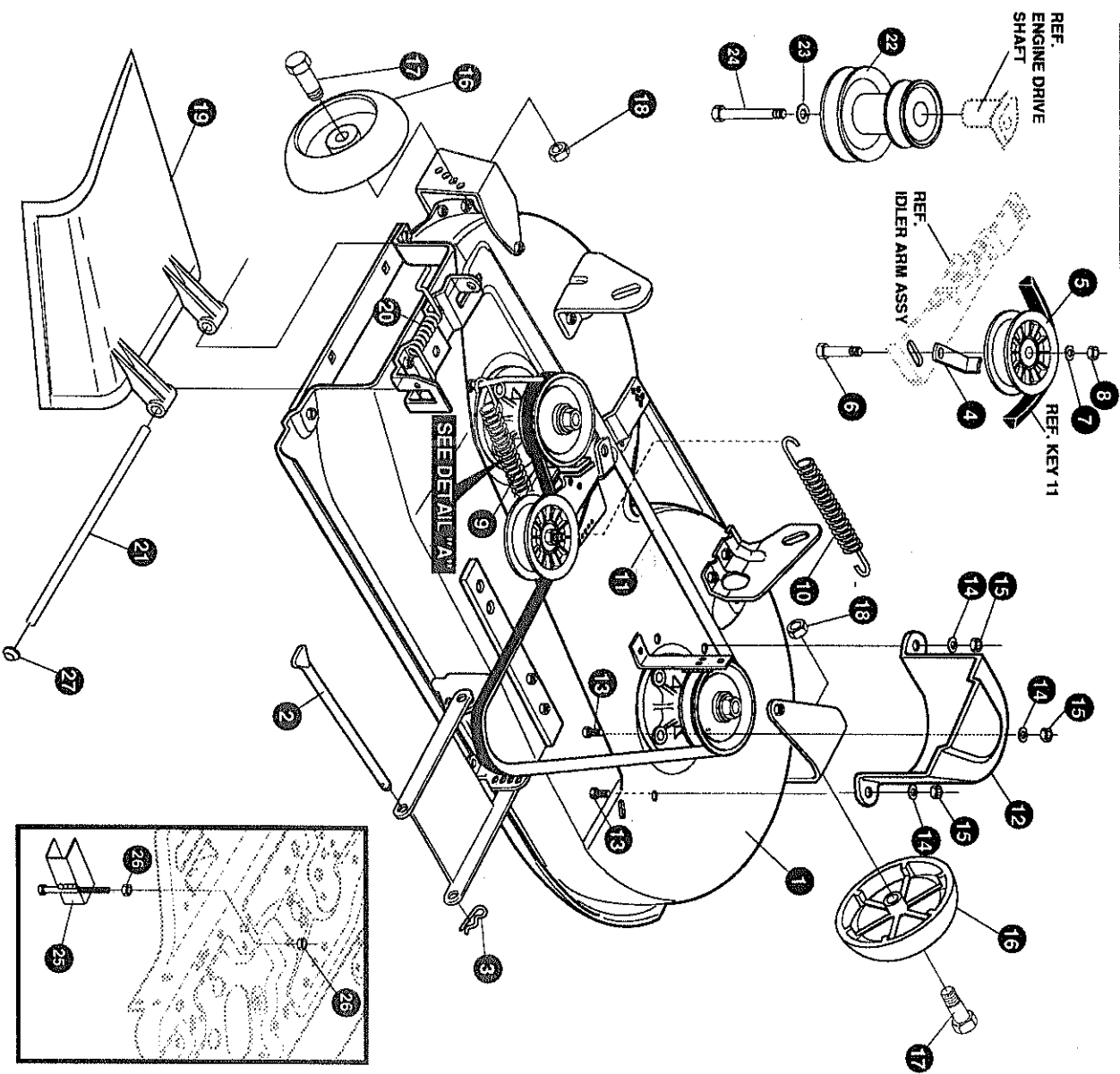
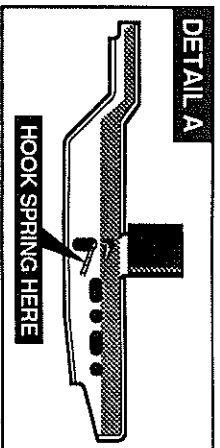


NOTE: ALWAYS USE ORIGINAL EQUIPMENT PARTS.  
Use of service/replacement parts other than original equipment parts may void your warranty.

ALL UNNUMBERED ITEMS ARE INTERCHANGEABLE WITH OPPOSITE SIDE

332343 E

KEY#	PART#	DESCRIPTION	QTY
1	325106	38" DECK KIT	1
2	326295	BAR, SKID	1
3	120230	BOLT, 5/16-18 X 1.25 CARRLN	1
4	271184	NUT, 5/16-18 HEXKEPS	2
5	57318	GUIDE, BELT 5/16-18 THD	2
6	1498	NUT, 5/16-18 REGHEXCTRLK	1
7	313928	BRACKET, CHUTE	1
8	180073	SCREW, 5/16-18 X .50 HHC	1
9	1498	NUT, 5/16-18 REGHEXCTRLK	2
10	313929	BRACKET, RH, LIFT REAR	1
11	180077	SCREW, 5/16-18 X .75 HHC	1
12	120393	WASHER, FLAT, 344 X 69 X .065	2
13	1498	NUT, 5/16-18 REGHEXCTRLK	2
14	310667	BRACKET, LH, LIFT REAR	1
15	180077	SCREW, 5/16-18 X .75 HHC	2
16	120393	WASHER, FLAT, 344 X 69 X .065	2
17	1498	NUT, 5/16-18 REGHEXCTRLK	2
18	315302	BRACKET, IDLER SUPPORT	2
19	300345	SCREW, 5/16-18 X 1.38 WAHHTAP	1
20	120393	WASHER, FLAT, 344 X 69 X .065	1
21	1498	NUT, 5/16-18 REGHEXCTRLK	1
22	56424	QUILL ASSEMBLY, 36/39/40/43	2
22-1	56425	SHAFT/SADDLE 36"	1
22-2	49562	BEARING, BALL 6203-2AA-C3 ARMORED	1
22-3	50616	DUST SHIELD	1
22-4	55547	QUILL CASTING (1046)	1
22-5	49562	BEARING, BALL 6203-2AA-C3 ARMORED	1
22-6	50818	SPACER, SLEEVE .689 X .88 X 3.797	1
22-7	51449	SPACER, SLEEVE .672 X .93 X .438	1
22-8	313898	PULLEY, 26/36" QUILL, VSL	1
22-9	56365	WASHER, SPECIAL QUILL	1
22-10	1282	NUT, 7/16-20 WDFLLK	1
23	35498	NUT, 7/16-20 WDFLLK	1
24	312826	SCREW, 5/16-18 X .75 WAHHTAP	7
25	328155	SUPPORT, LIFT, DECK FRONT	1
26	180077	PLATE-MOUNTING	1
27	1498	SCREW, 5/16-18 X .75 HHC	4
28	58305	NUT, 5/16-18 REGHEXCTRLK	4
29	58247	BRACKET, LINK DECK FRONT	1
30	180079	NUT, ADJUST	2
31	1498	SCREW, 5/16-18 X 1.00 HHC	2
32	312477	NUT, 5/16-18 REGHEXCTRLK	2
33	180077	BRACKET, LH WHEEL	1
34	1498	SCREW, 5/16-18 X .75 HHC	3
35	300102	WHEEL BRACKET, RH	1
36	180077	NUT, 5/16-18 REGHEXCTRLK	3
37	1498	SCREW, 5/16-18 X .75 HHC	3
38	309069	BLADE, 19.69, LOW-LIFT	3
39	2483	WASHER, 39 ID X 1.25 D X .07 BELLVIL	2
40	39573	SCREW, 3/8-24 X 1.00 NYLHHC	6
41	300491	IDLER ARM ASSEMBLY	2
41-1	300490	IDLER ARM 36, 38, 39, & 45 SD	1
41-2	306973	BRAKE PAD - HARD-NF343 (X-31)	1
41-3	41601	RIVET, OVSSET, .187 DIA X .50 LONG	1
42	300180	BOLT, .50 X 1.88 HSSH, 3/8-16	2
43	996416	WASHER, FLAT, .391 X 1.00 X .125	1
44	45171	NUT, 3/8-16 HWDFL, WHIZ-LOCK	1
45	326249	NUT, 3/8-16 HWDFL, WHIZ-LOCK	1
46	180077	BRACKET, EXTENSION IDLER	1
47	180077	SCREW, 5/16-18 X .75 HHC	1
48	1498	NUT, 5/16-18 REGHEXCTRLK	1
49	180020	SCREW, 1/4-20 X .75 HHC	1
50	1502	NUT, 1/4-20 REGHEXCTRLK	1
52	303247	ASSEMBLY, BLADE BRAKE, 36, 39, 45	1
52-1	303246	BRAKE ARM	1
52-2	306973	BRAKE PAD - HARD-NF343 (X-31)	1
52-3	135624	RIVET, TRSET, .185 DIA X .41 LONG	1
53	180077	SCREW, 5/16-18 X .75 HHC	2
54	120393	WASHER, FLAT, 344 X 69 X .065	1
55	1498	NUT, 5/16-18 REGHEXCTRLK	1
56	315306	ROD, BRAKE, 14.7, 39" DECK	1
57	1502	NUT, 1/4-20 REGHEXCTRLK	1



**NOTE: ALWAYS USE ORIGINAL EQUIPMENT PARTS.**  
Use of service/replacement parts other than original equipment parts may void your warranty.

**ALL UNNUMBERED ITEMS ARE INTERCHANGEABLE WITH OPPOSITE SIDE**

332344 D

KEY#	PART#	DESCRIPTION	QTY
1	329456	ASSEMBLY, DECK, 38", SUS S/FAIR ASSIST	1
2	58306	ROD, DECK HITCH	1
3	8260	PIN, HAIR .091 DIA X 1.66 LONG	1
4	1346	RETAINER, BELT	1
5	310326	PULLEY, IDLER BFF 4.00 WIDE FL	1
6	57325	BOLT, 3/8-16 X 2.00 CARRSN	1
7	120382	WASHER, REGSPTLK .393 X .68 X .10	1
8	120377	NUT, 3/8-16 REGHX	1
9	322064	SPRING, .75 X 8.4 X .105 TENSION	1
10	326256	SPRING, .75 X 10.0 X .105 TENSION	1
11	300680	BELT V 5L 77.75 KEVLAR	1
12	328257	GUARD, BELT, LH, PLASTIC	1
13	180077	SCREW, 5/16-18 X .75 HHC	3
14	120393	WASHER, FLAT .344 X .69 X .065	3
15	1498	NUT, 5/16-18 REGHEXCTRLK	2
16	302611	GAUGE WHEEL, EURO 6.00 OD X 1.38 WD	2
17	23763	BOLT, .500 X 1.390 HSSH, 3/8-16	2
18	1499	NUT, 3/8-16 REGHXCTRLK	2
19	57818	CHUTE DEFLECTOR, 36" .39" .45"	1
20	314975	SPRING, TORSION, CHUTE DEFLECTOR	1
21	334908	KIT FOR 57317 PIVOT ROD	1
22	328034	PULLEY, ENGINE, V&L 4.00 OFFSET	1
23	120383	WASHER, REGSPTLK .459 X .78 X .12	1
24	433146	SCREW, 7/16-20 X 4.25, HHC, BLACK	1
25	334252	ASSEMBLY UPSTOP, WHOSE	1
26	1499	NUT, 3/8-16 REGHXCTRLK	2
27	332179	CAP, PUSH ON, FOR DIA .250 ROD	1