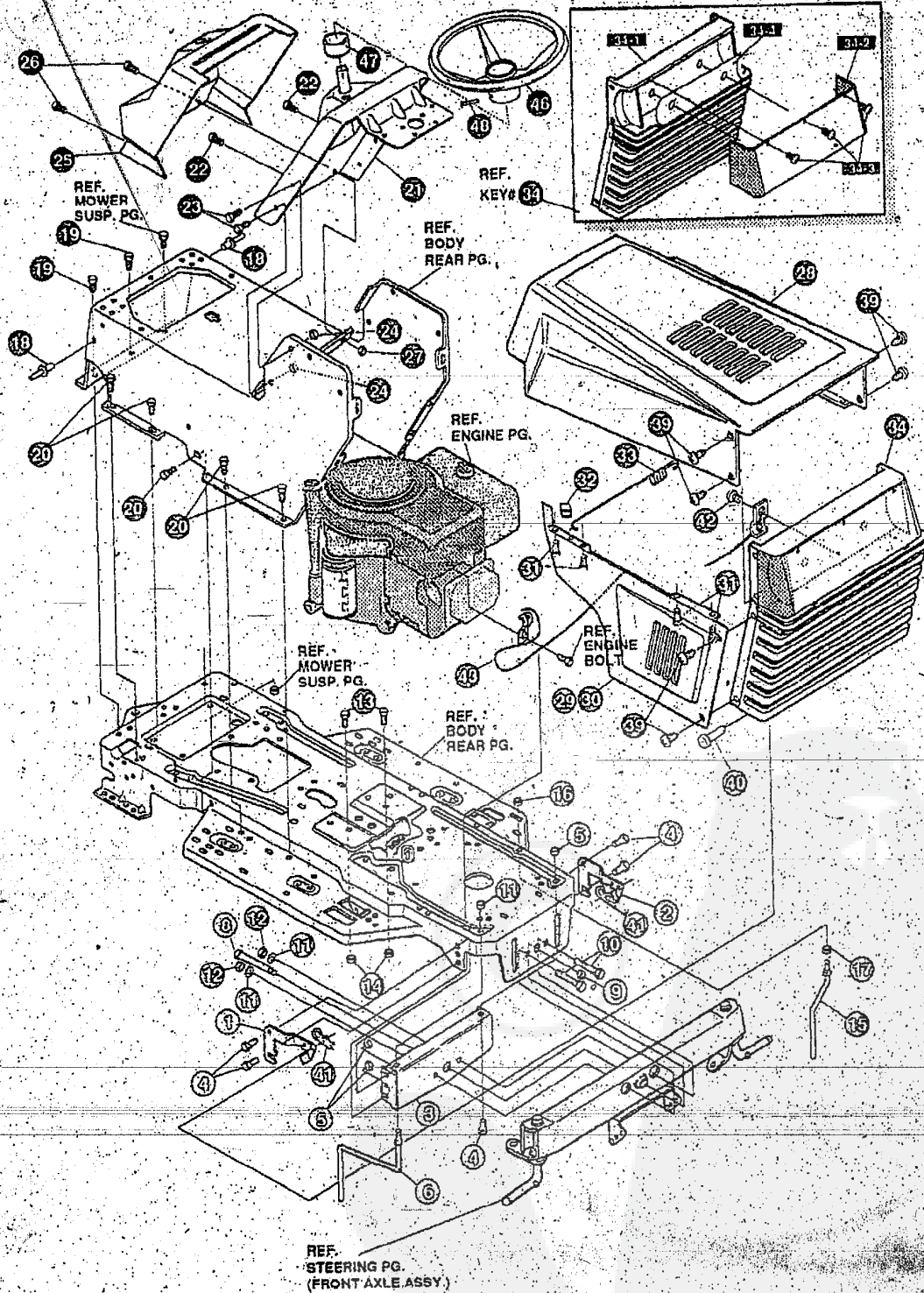


TRACTEUR TONDEUSE 42" MODELE E3560-770

ENSEMBLE CHASSIS & CAPOT (AVANT)



UTILISEZ DES PIÈCES D'ORIGINE POUR CONSERVER L'APPLICATION DE LA GARANTIE.

TOUTES LES PIÈCES NON REFÉREES SONT INTERCHANGEABLES AVEC LEURS OPPOSEES.

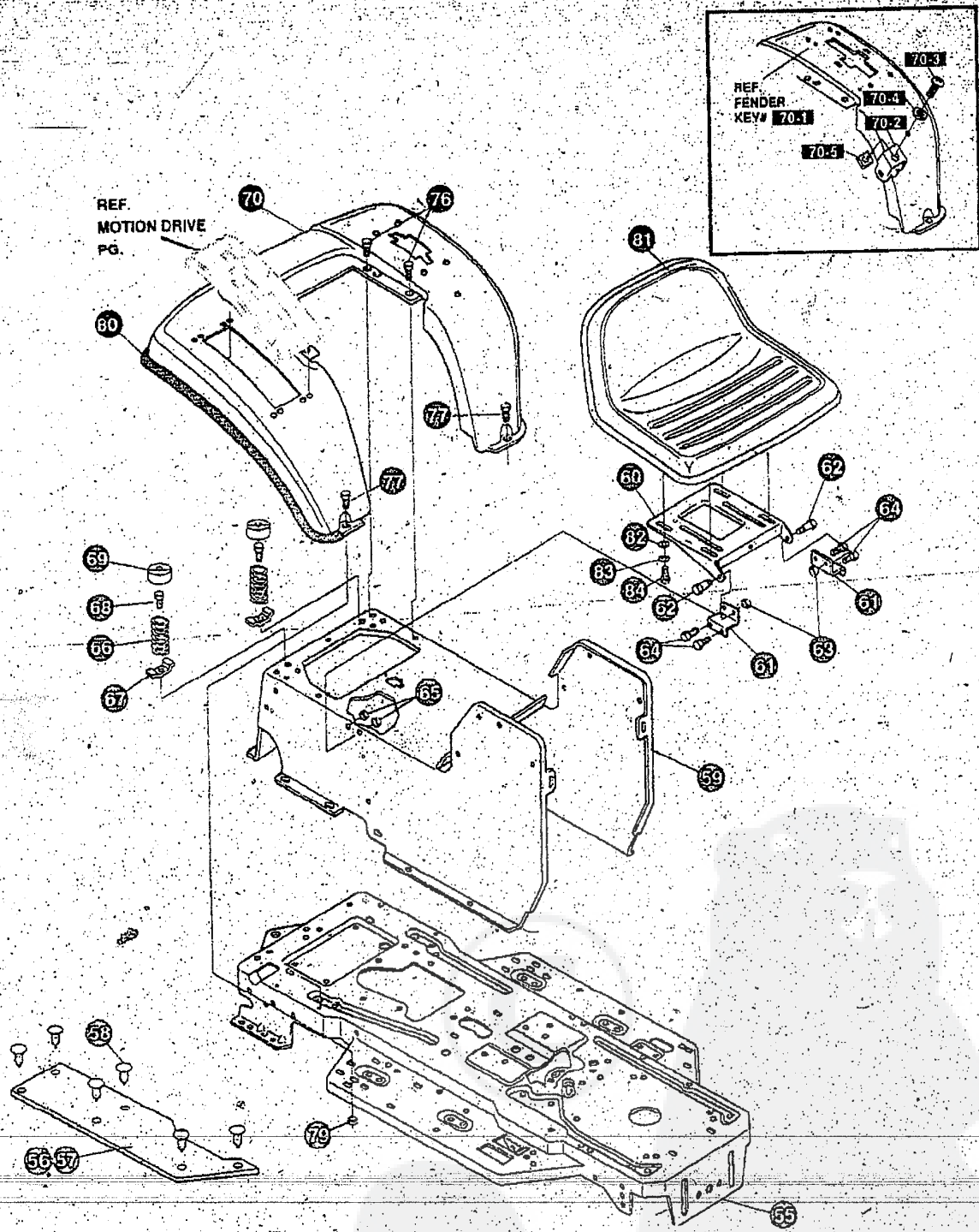
332902 A

TRACTEUR TONDEUSE 42" MODELE E3560-770

KEY#	PART#	DESCRIPTION	QTY
1	328780-853	BRACKET, GRILLE LH	1
2	328779-853	BRACKET, GRILLE RH	1
3	313541-853	BRACKET, FRONT AXLE	1
4	56030	SCREW, 5/16-18X.75WDFLLK	5
5	55273	NUT, 5/16-18 HXWDFLLK	5
6	300440	GUIDE, BELT, RIDER	1
7	1498	NUT, 5/16-18 REGHEXCTRLK	1
8	308207	BOLT, .625X2.18 HSSH 1/2-13	1
9	309008	NUT, 1/2-13 HEXJAM CTRLK	1
10	180077	SCREW, 5/16-18X .75 HHC	2
11	2483	WASHER, .39ID X 1.25DX .07 BELLVIL	2
12	1499	NUT, 3/8-16 REGHXCTRLK	2
13	180079	SCREW, 5/16-18X 1.00 HHC	2
14	1498	NUT, 5/16-18 REGHEXCTRLK	2
15	300635	GUIDE, BELT SHORT 15" WHEEL	1
16	124824	NUT, 5/16-18 HEXJAM	1
17	271190	NUT, 3/8-16 HEXKERS	1
18	46763	RIVET, POP, .187DIA X .450LG ST	3
19	35497	SCREW, 5/16-18X .50 WAHTAP	2
20	995346	SCREW, 1/4-20X .50 WAHTAP	9
21	324071-853	DASH STEEL MASSEYFERGUS	1
22	995346	SCREW, 1/4-20X .50 WAHTAP	2
23	44811	SCREW, 1/4-20X .75 WAHTAP	4
24	50352	NUT, 1/4-20 WDFLLK TOPLOCK	4
25	314953	DASH, LOWES, NO GRAPHICS SUS	1
26	4 4 8 1 1	SCREW, 1/4-20X .75 WAHTAP	2
27	50352	NUT, 1/4-20 WDFLLK TOPLOCK I	2
2 8	301086-827	HOOD H18 TWIN ENGINES	1
2 9	57483-827	PANEL, SIDE HOOD, LH H-10, -18	1
30	5 7 4 8 2 - 8 2 7	PANEL, SIDE HOOD, RH H-10, -18	1
31	1503	SCREW, 10-16X .50 WAHTAP	8
32	58143	CLIP, U-TYPE, TINNEMAN	2
33	5747.0	SPRING, HOOD SINGLE CYL	1
34	329199	ASM: GRILLE, G13	1
3 9	49050	SCREW, 1/4-10X .75 PHPNTAP	8
40	300317	PIN, CLEVIS, .375DIA X .81 LG	2
41	8260	PIN, HAIR .091DIA X 1.66LG	2
42	49050	SCREW, 1/4-10X .75 PHPNTAP	1
43	311094	LANYARD, HOOD 11.75LG H15 VANG	1
46	330510	STEERING WHEEL	1
47	-30 14 13	SPACER, STEERING SHAFT	1
48	456378	PIN, SPRING 250DIA X 2.00LG HVPL	1
49	333306	PARTS MANUAL	1
50	330648	OPERATOR'S MANUAL	1
51	327627	GRASS CATCHER MANUAL	1
5 2	328195	AIR ASSIST MANUAL	1

TRACTEUR TONDEUSE 42" MODELE E3560-770

ENSEMBLE CHASSIS & CAPOT (ARRIERE)



UTILISEZ DES PIÈCES D'ORIGINE POUR CONSERVER L'APPLICATION DE LA GARANTIE.

TOUTES LES PIÈCES NON REFEREES SONT INTERCHANGEABLES AVEC LEURS OPPOSEES.

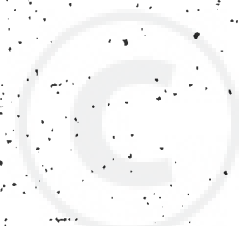
325855 B

TRACTEUR TONDEUSE 42" MODELE E3560-770

KEY#	PART#	DESCRIPTION	QTY	
	55	528577-896	FRAME, LF MAIN P923/F 4360	1
	56	310005	FOOT PAD, LH 22 12LG DYNA F-5	1
	57	310006	FOOT PAD, RH 22 12LG DYNA F-5	1
	58	309235	FAST ENER, RATCHET BLACK	12
5	9	308665-W	CONSOLE, GENERIC H14-15 SOF	1
	60	58367-827	PLATE, SEAT F5 SF, LF	1
	61	310660 827	BRACKET, F-S SEAT SUPP	2
62		20507	BOLT, 437X .156 HHSH 5/16-18	2
	63	1498	NUT, 5/16-18 REGHEXCTRLK	2
	64	48901	SCREW, 5/16-18X .63 WAHHC	4
	65	1498	NUT, 5/16-18 REGHEXCTRLK	4
	66	57153	SPRING, SEAT 2 63LG, 1.490D BLK	2
	67	1341	CLAMP, SPRG 1.17"10	2
	68	44811	SCREW, 1/4-20X .75 WAHTAP	2
	69	5 6 9 0 7	COVER, SEAT SPRING 1.510X1.0LG	2
70		A	ASM FENDER F5 LF, SOF, SUSP	1
70-1		332185-827	FENDER, F5, SUS, LF, SOF	1
70-2		9 2 3 9	CLEVIS	1
70-3		439455	SCREW, 5/16-18X .56 PPHNMA	1
70-4		301551	WASHER, 344IDX1.50DX.09	1
70-5		120373	NUT, 5/16-18 SQ	1
76		995346	SCREW, 1/4-20X .60 WAHTAP	4
77		126358	BOLT, 5/16-18X1.00 CARRLN	2
79		55273	NUT, 5/16-18 HXWDFLLK	2
80		55023	TRIM, 77.5" BLACK NARROW	77.5
81		57455	SEAT MICHIGAN GEN, W/SW HOLE	1
82		120393	WASHER, FLAT .344X .69X.065	4
83		120638	WASHER, HVSPTLK .328X.60X.09	4
84		186077	SCREW, 5/16-18X .75 HHC	4

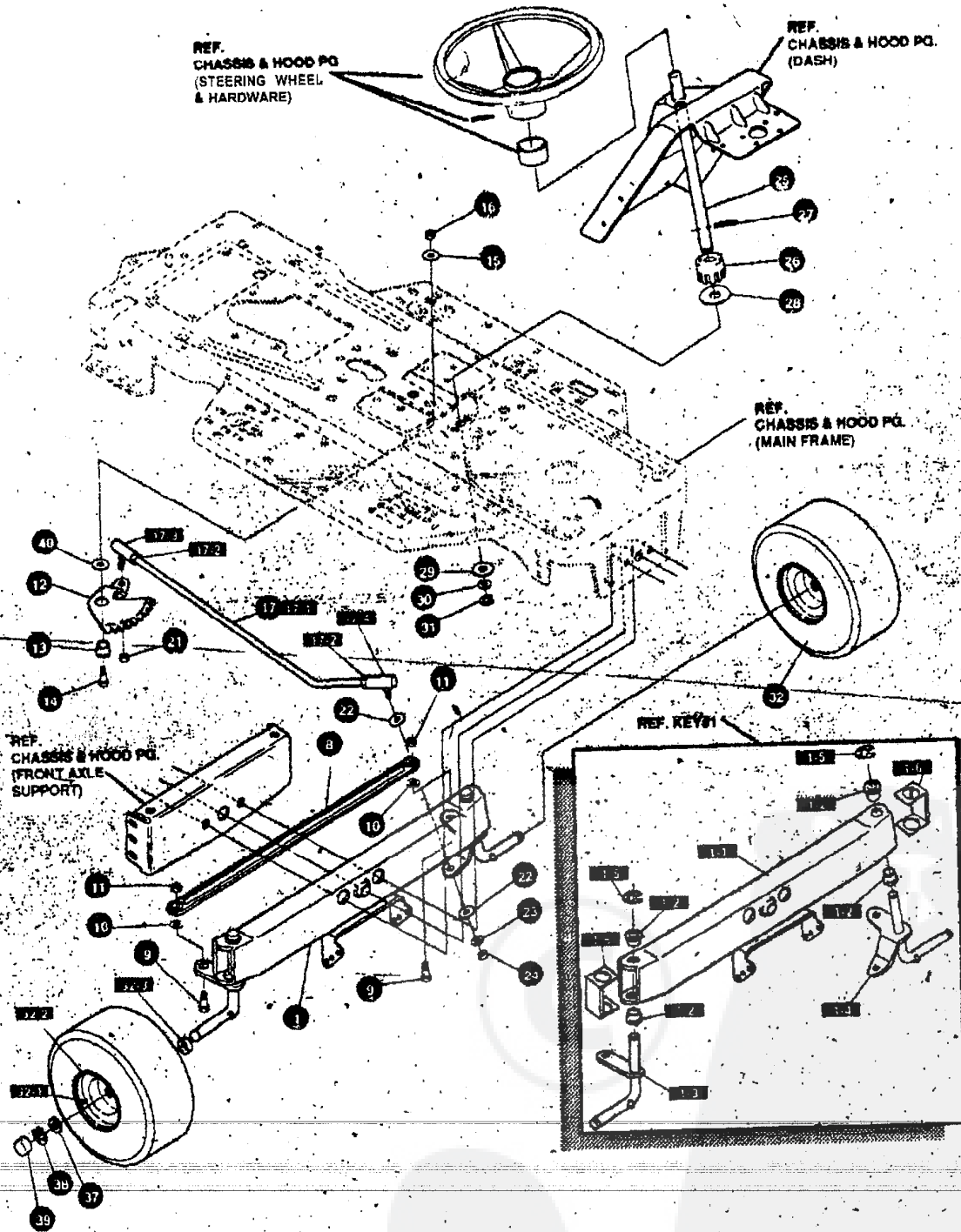
* ORDER INDIVIDUAL PARTS

S



TRACTEUR TONDEUSE 42" MODELE E3560-770

ENSEMBLE DIRECTION (AVANT)



UTILISEZ DES PIÈCES D'ORIGINE POUR CONSERVER L'APPLICATION DE LA GARANTIE.

TOUTES LES PIÈCES NON RÉFÉRÉES SONT INTERCHANGEABLES AVEC LEURS OPPOSÉS.

3171241

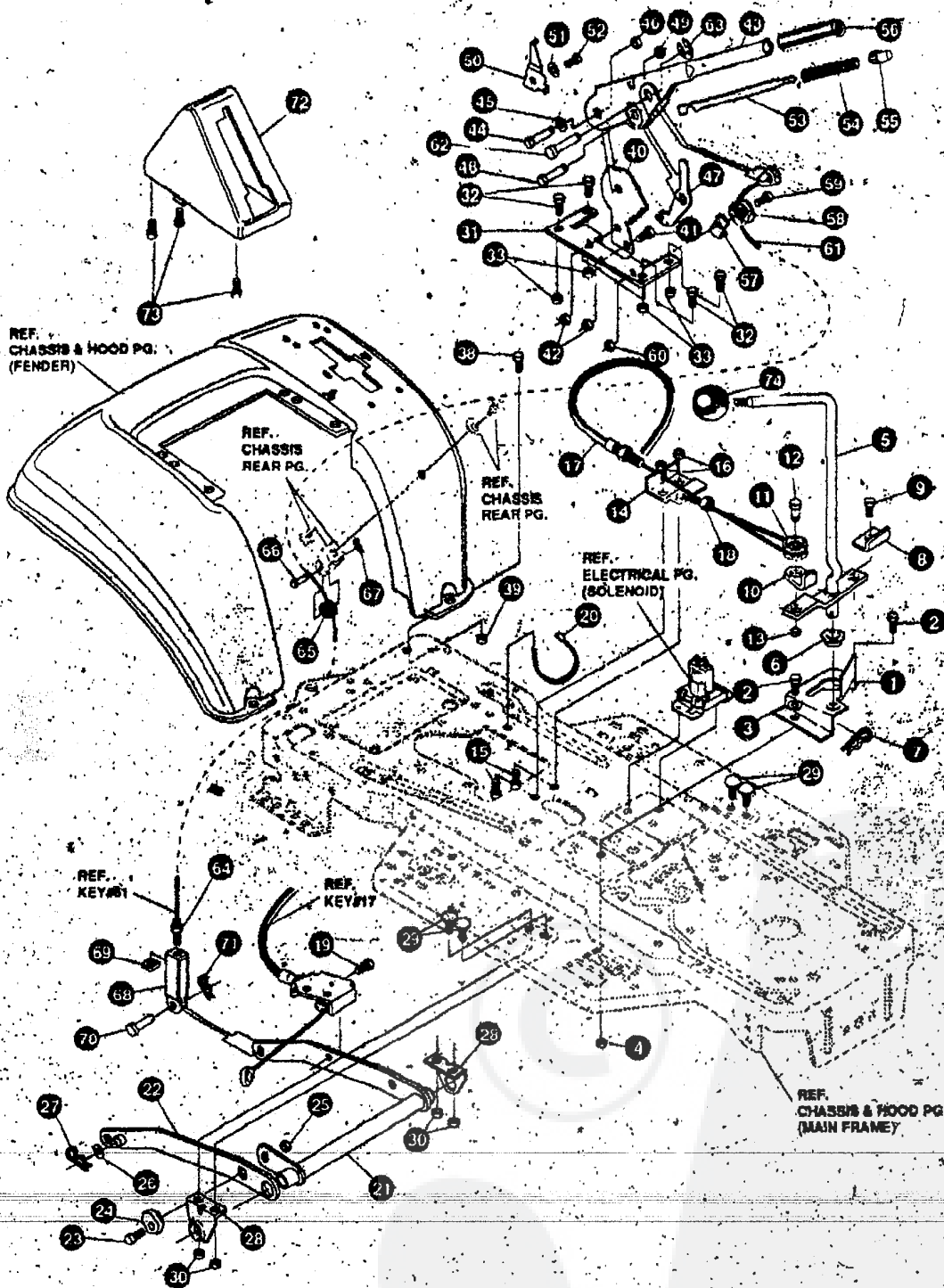
TRACTEUR TONDEUSE 42" MODELE E3560-770

KEY#	PART#	DESCRIPTION	QTY
1	A	AXLE FRONT ASSY LONGSUS4WSLF	1
1-1	310170	AXLE, FRONT	1
1-2	52407	SPINDLE BEARING	4
1-3	9180	ASSY, SPINDLE RH LG	1
1-4	314088	ASSY, SPINDLE LH LG	1
1-5	36625	RING, RETEX .57X.05TRU5133-75	2
1-6	53373	AXLE COVER	1
8	304590	TIE ROD ASSY 19.8" LG W-SECTION	2
9	180128	SCREW, 3/8-16X1.75 HHC	2
10	120382	WASHER, REGSPTLK.393X.68X.10	2
11	1499	NUT, 3/8-16 REGHXCTRLK	2
12	58289	SECTOR, STEERING LF	1
13	52466	BRNG, FL ECC.510IDX.998ODX.66	1
14	180177	SCREW, 1/2-19X1.50 HHC	1
15	22265	WASHER, FLAT .515X1.38X.119	1
16	1500	NUT, 1/2-19 REGHCTRLK	1
17	31110%	KIT 300146 DRAGLINK	1
17-1	58291	STEERING LINK	1
17-2	124925	NUT, 3/8-24 REGHEXJAM	2
17-3	57158	BALL JOINT 3/8 THD SHORT STUD	1
7-4	21276	BALL JOINT 3/8 THD LONG STUD	1
21	46692	NUT, 3/8-24 WDFLHLK WHIZ	1
22	996416	WASHER, FLAT .391X1.00X.125	2
23	120382	WASHER, REGSPTLK.393X.68X.10	1
24	120369	NUT, 3/8-24 REGHEX	1
25	58243	SHAFT, STEERING LF 2WS	1
2%	58244	PINION, STEERING LF	1
27	58274	PIN, DOWEL .2500 OD X 1.75 LG	1
2 %	301410	BRNG, FL 752IDX1.061ODX.24	1
2 % 9	301398	W A S H E R FORMED1.135X1.53	1
30	21682	WASHER, FLAT .765X1.25X.042	1
31	36625	RING, RETEX .57X.05TRU5133-75	1
32	302828	TIRE & RIM, PU 15X6.0X6 TURWHI	2
32-1	24167	VALVE STEM	1
32-2	39829	RIM, WHEEL	1
32-3	314416	BEARING, FL	1
37	642	WASHER, FLAT .755X1.31X.075	4
38	36625	RING, RETEX .57X.05TRU5133-75	2
3 9	40394	HUB CAP, 1.500ID X 7/8LG	2
40	49968	WASHER, FLAT .520X1.25X.209	1

* ORDER INDIVIDUAL PARTS

TRACTEUR TONDEUSE 42" MODELE E3560-770

ENSEMBLE DE SUSPENSION DE LA TONDEUSES



UTILISEZ DES PIÈCES D'ORIGINE POUR CONSERVER L'APPLICATION DE LA GARANTIE."

TOUTES LES PIÈCES NON REPRÉSENTÉES SONT INTERCHANGEABLES AVEC LEURS OPPOSÉS.

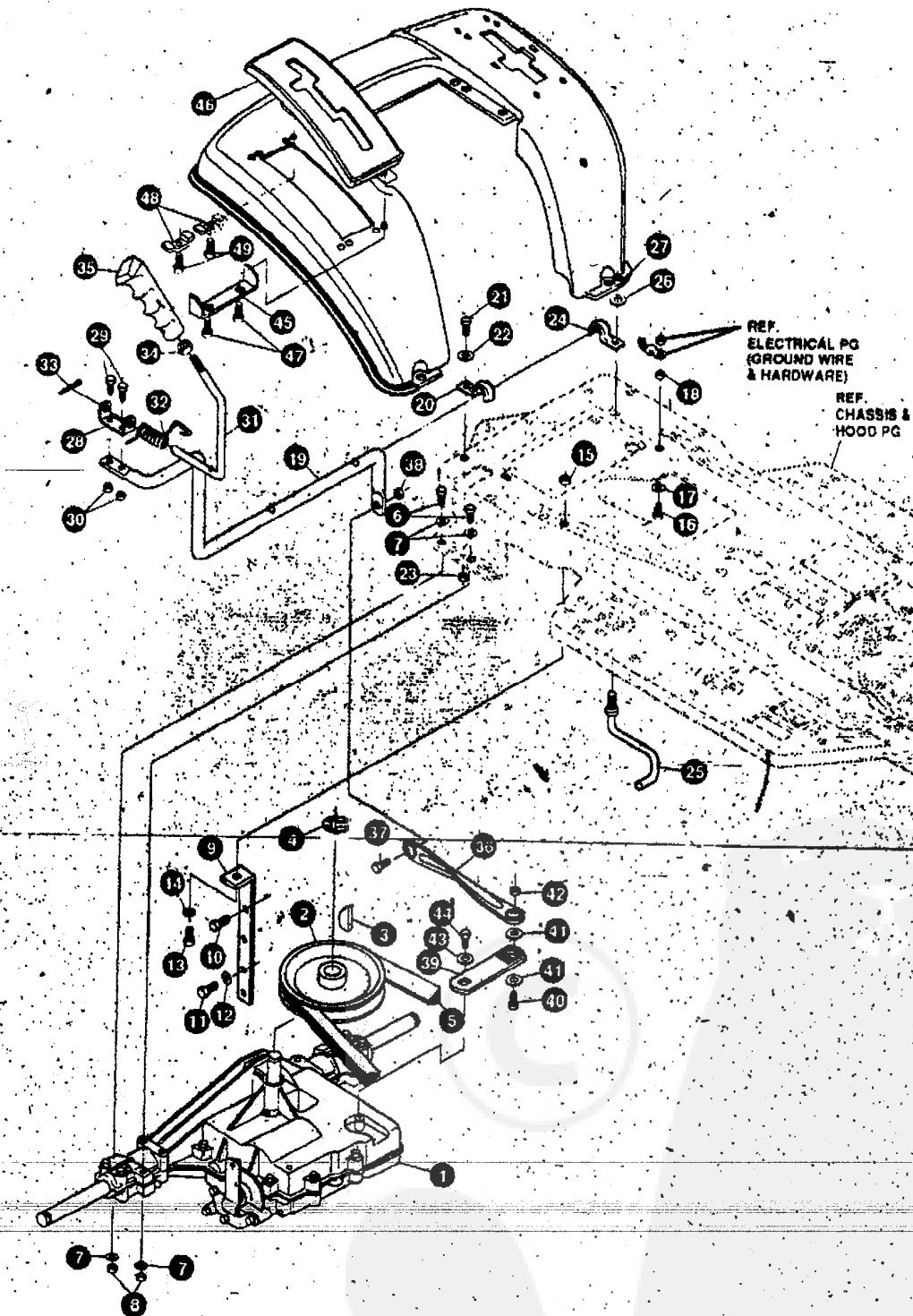
9258150

TRACTEUR TONDEUSE 42" MODELE E3560-770

KEY#	PART#	DESCRIPTION	QTY
1	320076-853	BRACKET, CLUTCH ENGAGE LEVER	1
2	180079	SCREW, 5/16-18X1.00 HHC	2
3	120393	WASHER, FLAT .344X .69X.063	2
4	1498	NUT, 5/16-18 REGHEXCTRLK	2
5	304791	ASSY, CLUTCH LEVER	1
6	50148	BRNG, FL 503IDX .63ODX .50	1
7	8260	PIN, HAIR .091 DIA X 1.66LG	1
8	318341	BRKT, SWITCH ENGAGE	1
9	35498	SCREW, 5/16-18X .75 WAHHTAP	1
10	1268	BRKT, CABLE RETAIN	1
11	48306	PULLEY, POWDER METAL	1
12	58336	BOLT, .375X .375 HSSH 1/4-20	1
13	1 5 0 2	NUT, 1/4-20 REGHEXCTRLK	1
14	300698-853	BRACKETFRAME CABLE	1
15	180020	SCREW, 1/4-20X .75 HHC	2
16	1 5 0 2	NUT, 1/4-20 REGHEXCTRLK	2
17	301503	ASSY, CABLE, BLADE ENGAGE 39SUS	1
18	120619	NUT, 1/4-20 HJAM	1
19	35498	SCREW, 5/16-18X .75 WAHHTAP	1
20	57444	TIE, CABLE BLACK NYLON 5.62L	1
21	300158-853	LIFT ASSY, LH	1
22	300169-853	LIFT ASSY, RH	1
23	180079	SCREW, 5/16-18X1.00 HHC	1
24	58247	NUT, ADJUST	1
25	1498	NUT, 5/16-18 REGHEXCTRLK	1
26	417098	WASHER, FLAT .531X1.06X.063	2
27	8260	PIN, HAIR .091 DIA X 1.66LG	2
28	58245-853	BRACKET, REAR HANG SUSP	2
29	57072	BOLT, 5/16-18X .63 CARRLN	4
30	1498	NUT, 5/16-18 REGHEXCTRLK	4
31	313926	BRACKET, HGT/ADJUST SUPPORT	1
32	180077	SCREW, 5/16-18X .75 HHC	4
33	1498	NUT, 5/16-18 REGHEXCTRLK	4
38	180077	SCREW, 5/16-18X .75 HHC	1
39	1498	NUT, 5/16-18 REGHEXCTRLK	1
40	301238	QUADRANT, HEIGHT ADJUST	1
41	180077	SCREW, 5/16-18X .75 HHC	2
42	1498	NUT, 5/16-18 REGHEXCTRLK	2
43	322292-853	HANDLE, LIFT SHORT (30" S.F.)	1
44	300171	BOLT, .500X .270 HSSH 5/16-18	1
45	996418	WASHER, FLAT .506X .75X.024	1
46	44108	NUT, 5/16-18 HWDFLCTRLK	1
47	301239	PAWL, SQUARE	1
48	300171	BOLT, .500X .270 HSSH 5/16-18	1
49	44108	NUT, 5/16-18 HWDFLCTRLK	1
50	9435	POINTER, HEIGHT ADJ	1
51	138479	WASHER, EXLK .195X .41X.09	4
52	35287	SCREW, #8-32X .38 HRWATAP	1
53	303027	ROD, ACTUATOR-SHORT	1
54	58326	SPRING, HEIGHT ADJUST	1
55	58325	KNOB, HEIGHT ADJ PUSH BUTTON	1
56	58329	GRIP, .750 OD W/ HOLE BLACK	1
57	9149	BRKT, CABLE RETAIN	1
58	48306	PULLEY, POWDER METAL	1
59	58336	BOLT, .375X .375 HSSH 1/4-20	1
60	1502	NUT, 1/4-20 REGHEXCTRLK	1
61	314177	CABLE, LIFT 22.92 F 5 20X8-8	1
62	300310	PIN, CLEVIS .310 DIA .475 LG	1
63	300311	RING, RET E .31X.25TRUX5133-31	1
64	120375	NUT, 1/4-20 REGHEX	1
65	48306	PULLEY, POWDER METAL	1
66	300317	PIN, CLEVIS .375 DIA X .81 LG	1
67	8260	PIN, HAIR .091 DIA X 1.66LG	1
68	9405	CLEVIS, LIFT CABLE	1
69	120373	NUT, 1/4-20 REGSO	1
70	39522	PIN, CLEVIS .312 X .812	1
71	121222	PIN, COTTER .090 DIA X .75 LG	1
72	300339	LIFT COVER-39" F5	1
73	300340	SCREW, #10 X .75 HHPLAST BLK	3
74	55514	KNOB, ROUND 1.50 DIA BLACK	1

TRACTEUR TONDEUSE 42" MODELE E3560-770

TRANSMISSION



UTILISEZ DES PIÈCES D'ORIGINE POUR CONSERVER L'APPLICATION DE LA GARANTIE.

TOUTES LES PIÈCES NON REFÉREES SONT INTERCHANGEABLES AVEC LEURS OPPOSEES.

327671 C

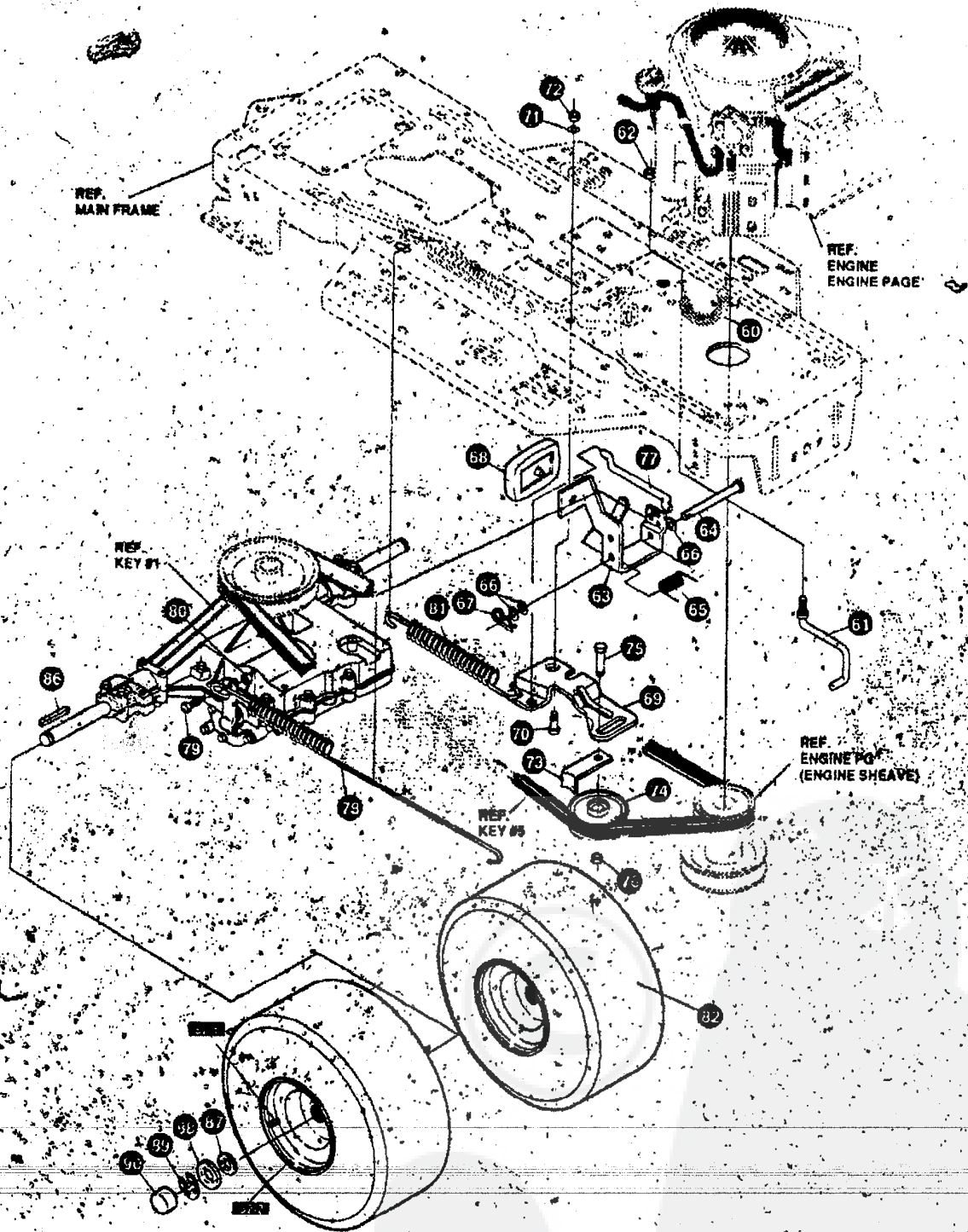
TRACTEUR TONDEUSE 42" MODELE E3560-770

KEY#	PART#	DESCRIPTION	QTY
1	A	TRANSAXLE 030-017A 6SP2WSLF	1
2	302745	PULLEY, 6.6 OD V4L T/A	1
3	50795	KEY, HI-PRO 606 .75DIA X 1.87WD	1
4	22053	RING, RETEX .58X .035TRU5100-62	1
5	314120	BELT, V 4L 07.25 4WS LF	1
6	180091	SCREW, 5/16-18X2.50 HHC	4
7	120393	WASHER, FLAT .344X .69X.065	1
8	1498	NUT, 5/16-18 REGHEXCTRLK	1
9	323739	BRKT, STABILIZER BLK	1
10	50947	SCREW, 3/8-16X1.25 WAHTAP	1
11	35498	SCREW, 5/16-18X .75 WAHTAP	2
12	1 2 0 6 3 8	WASHER, HVSPTLK .328X.60X.09	2
13	180079	SCREW, 5/16-18X1.00 HHC	1
14	120393	WASHER, FLAT .344X .69X.065	1
15	1498	NUT, 5/16-18 REGHEXCTRLK	1
16	180077	SCREW, 5/16-18X .75 HHC	1
17	1 3 8 5 3 8	WASHER, REGINTLK.320X.61X.09	1
18	1498	NUT, 5/16-18 REGHEXCTRLK	1
19	319111	LEVER SHIFT-LWR P930/4360 LF	1
20	310347-853	CLIP- SHIFT LEVER .625 ROD	1
21	180077	SCREW, 5/16-18X .75 HHC	1
22	996416	WASHER, FLAT .391X1.00X.125	1
23	1498	NUT, 5/16-18 REGHEXCTRLK	1
24	310347-853	CLIP, SHIFT LEVER .625 ROD	1
25	57259	GUIDE, BELT 5/16-18THD	1
26	996416	WASHER, FLAT .391X1.00X.125	1
27	1498	NUT, 5/16-18 REGHEXCTRLK	1
28	310356	BRKT, PIVOT SH LEV	1
29	180020	SCREW, 1/4-20X .75 HHC	2
30	1502	NUT, 1/4-20 REGHEXCTRLK	2
31	309635	LEVER, SHIFT UPPER SOP 1/2-13	1
32	310265	SPRING, TORS .56X.95X.085	1
33	137185	PIN, COTTER .125 DIA X 1.00LG	1
34	120238	NUT, 1/2-13 HEXJAM	1
35	306690	HANDLE 1/2-13 MOLDED BLACK	1
36	314965	LINK TIEROD SHIFT P930-6 SHORT	1
37	180124	SCREW, 3/8-16X1.25 HHC	1
38	1498	NUT, 3/8-16 REGHXCTRLK	1
39	309637	BRKT, SHIFT 5SP SF	1
40	180124	SCREW, 3/8-16X1.25 HHC	1
41	120394	WASHER, FLAT .406X .81X.065	2
42	1498	NUT, 3/8-16 REGHXCTRLK	1
43	57157	WASHER, .750X.250 SP-TRANSAXLE	1
44	56255	SCREW, 1/4-28X .75 NYLHHC	1
45	311257-853	BRACKET COVER F-5 FNDR SHIFT	1
46	311209	COVER PLASTIC LF P930/F4360-6	1
47	311331	SCREW, 1/4-15X.44/.53 HILOHWA	2
48	1341	CLAMP, SPRG 1.17"ID	2
49	311331	SCREW, 1/4-15X.44/.53 HILOHWA	2

* CONTACT YOUR NEAREST TRANSAXLE DEALER FOR PARTS AND SERVICE

TRACTEUR TONDEUSE 42" MODELE E3560-770

TRANSMISSION



UTILISEZ DES PIÈCES D'ORIGINE POUR & SERVER
L'APPLICATION D E LA GARANTIE.

TOUTES LES PIÈCES NON
REFEREES SONT
INTERCHANGEABLES AVEC
LEURS OPPOSEES.

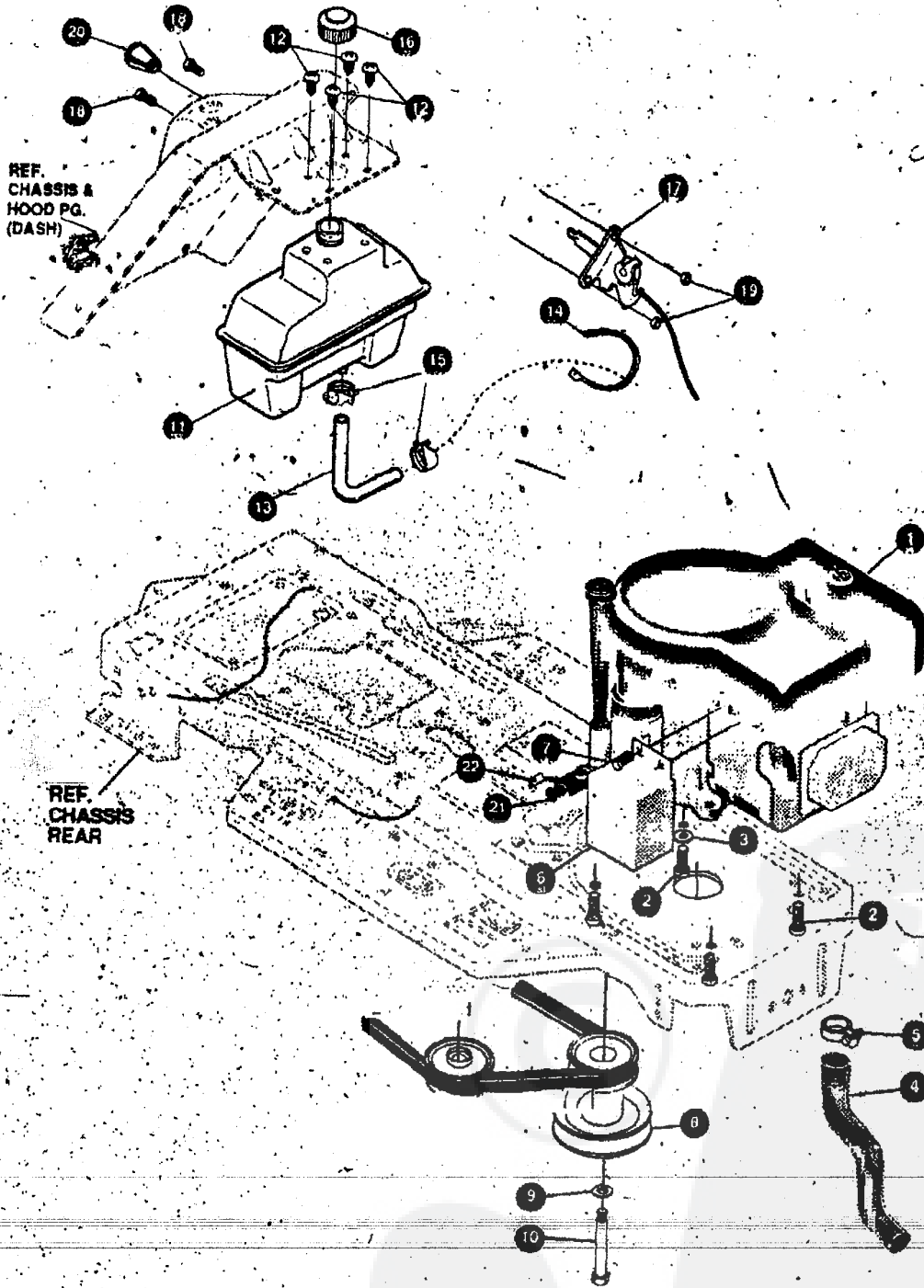
327671 C

TRACTEUR TONDEUSE 42" MODELE E3560-770

KEY#	PART#	DESCRIPTION	QTY
60	321514	SPRING, DRAG LINK BIAS	1
61	304016	GUIDE, BELT R.H.	1
6 2	1498	NUT, 5/16-18 REGHEXCTRLK	1
63	325942	PEDAL ASSY, BRAKE/CLUTCH LF	1
64	319675	PIN, CLEVIS, 5000X4.53LG	1
65	57847	SPRING, BRAKE PEDAL	1
66	2968	WASHER FLAT 504X.75X.059	3
67	56180	PIN, HAIR .091. DIA X 1.62LG	1
6 8	48160	PAD, CLUTCH BRAKE W/PRINTING	1
69	320381	ARM, IDLER TRACTION, SOG LF	1
70	329989	BOLT, .625X.135 HSSH 5/16-18	1
71	45602	WASHER, FIAT .333X.87X.119	1
72	1498	NUT, 5/16-18 REGHEXCTRLK	1
73	39659	RETAINER, BELT	1
74	35374	PULLEY, IDLER VAL 8.06X.62	1
75	45892	BOLT, 3/8-16X1.50 CARRSN	1
76	1498	NUT, 3/8-16 REGHXCTRLK	1
77	57204	ROD, CLUTCH 3.92"	1
78	325937	SPRING, BRAKE 28 80 930.4360	1
79	326131	BOLT, .495X.31 HSSH 5/16-18	1
80	1498	NUT, 5/16-18 REGHEXCTRLK	1
81	330505	SPRING, CLUTCH .113X.750X8.75	1
82	301318	TIRE & RIM, 20X10.00-8 WHITE	2
82-1	2 4 1 6 7	VLVE STEM	2
82-2	301366	RIM, WHEEL	2
86	52928,	KEY, SQUARE 18750X2.25LG	2
87	842	WASHER, FLAT .755X1.31X.075	4
88	42815	WASHER, FIAT .755X1.53X.07	2
8 9	36625	RING, RETEX .57X.05TRU5133-75	2
90	40394	HUB CAP, 1.500ID X 7/8LG	2

TRACTEUR TONDEUSE 42" MODELE E3560-770

MOTEUR ENSEMBLE



UTILISEZ DES PIÈCES D'ORIGINE POUR CONSERVER L'APPLICATION DE LA GARANTIE.

TOUTES LES PIÈCES NON REFÉREES SONT INTERCHANGEABLES AVEC LEURS OPPOSÉS.

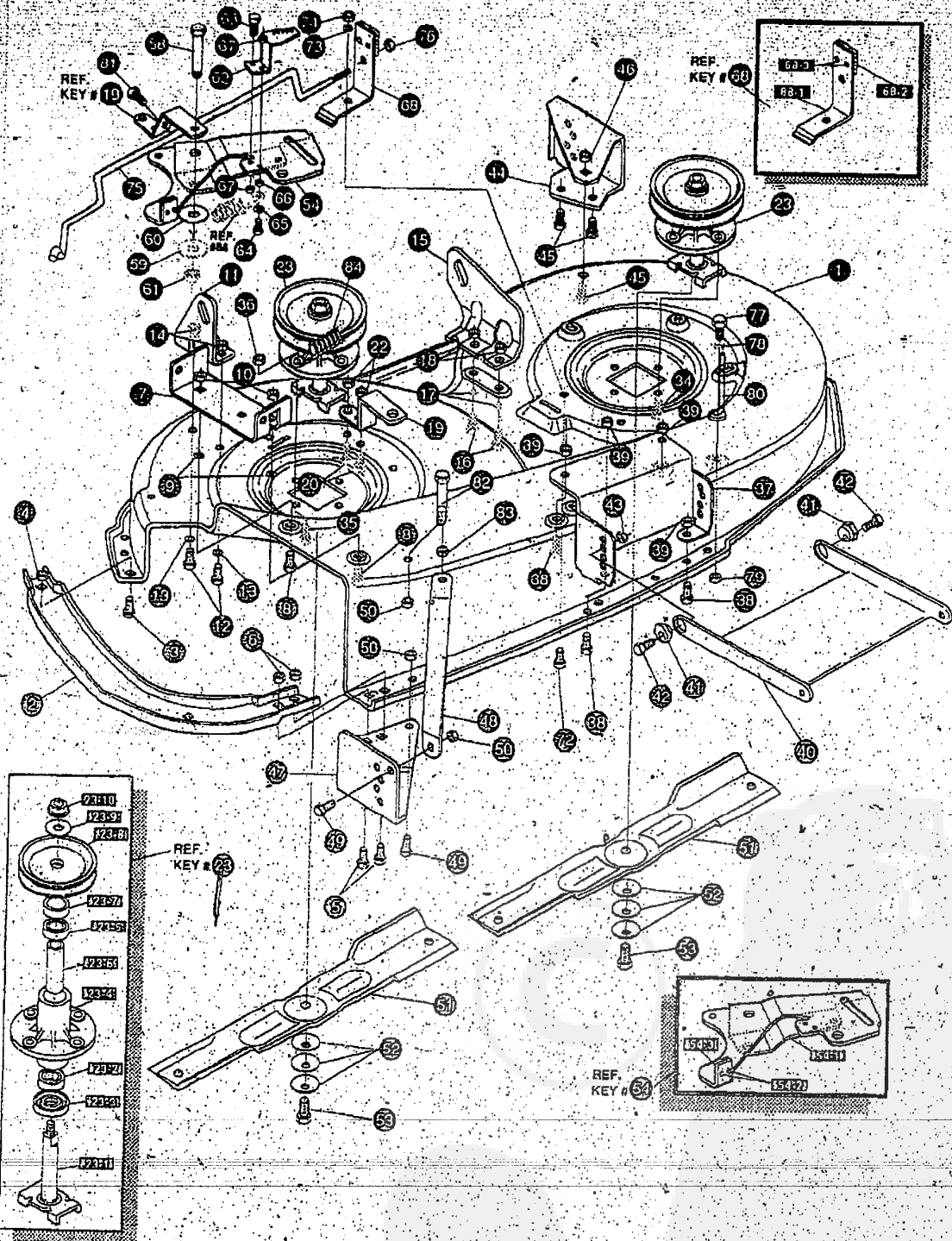
332901 A

TRACTEUR TONDEUSE 42" MODELE E3560-770

KEY#	PART#	DESCRIPTION	QTY
1	ENGINE	14.0 BS IC OHV (SEE ENGINE MANUAL)	1
2	so947	SCREW, 318-16X1.25 WAHHTAP	4
3	138489	WASHER, EXLK 384X 69X 04	1
4	331327	EXHAUST TUBE 140HV B&S LFH14	1
5	3 2 8 0 2 4	CLAMP EXHAUST 1 37 DIA	1
6	327785-853	HEAT SHIELD 140HV B/S	1
7	995346	SCREW, 1/4-20X 50 WAHHTAP	3
8	3 2 8 0 2 9	PULLEY, ENG 4.40OFF/5.00D/3.00D	1
9	120383	WASHER, REGSPTLK 459X.78X.12	1
10	426644	SCREW, 7/16-20X5 00 HHC	1
11	314989	TANK, FUEL 1 GAL CLEAR	1
12	49050	SCREW, 1/4-10X .75PHNTAP	4
13	41007	TUBING, .25X.50X BULK GAS LINE	16.0
14	5,444	TIE, CABLE BLACK NYLON 5.62L	1
15	4 7 3 4 5	CLAMP, HOSE SCREW NPE	2
16	36704	CAP, GAS 1-1/2-7 THD BLK	1
17	321273	CONTROL, THROTTLE 12-12.5HP	1
18	320553	SCREW, 10-24X.63PHNMA	2
19	271166	NUT, X10-24 HEXKEPS	2
20	60607	KNOB, ROUND THROTTLE BLACK	1
21	325547	OIL DRAIN VALVE ASSEMBLY	1
22	327422	CAP, OIL DRAIN VALVE ASM, YELLOW	1

TRACTEUR TONDEUSE 42" MODELE E356C-770

CARTER DE TONDEUSE



UTILISEZ DES PIÈCES D'ORIGINE POUR CONSERVER L'APPLICATION DE LA GARANTIE.

TOUTES LES PIÈCES NON REFEREES SONT INTERCHANGEABLES AVEC LEURS OPPOSEES.

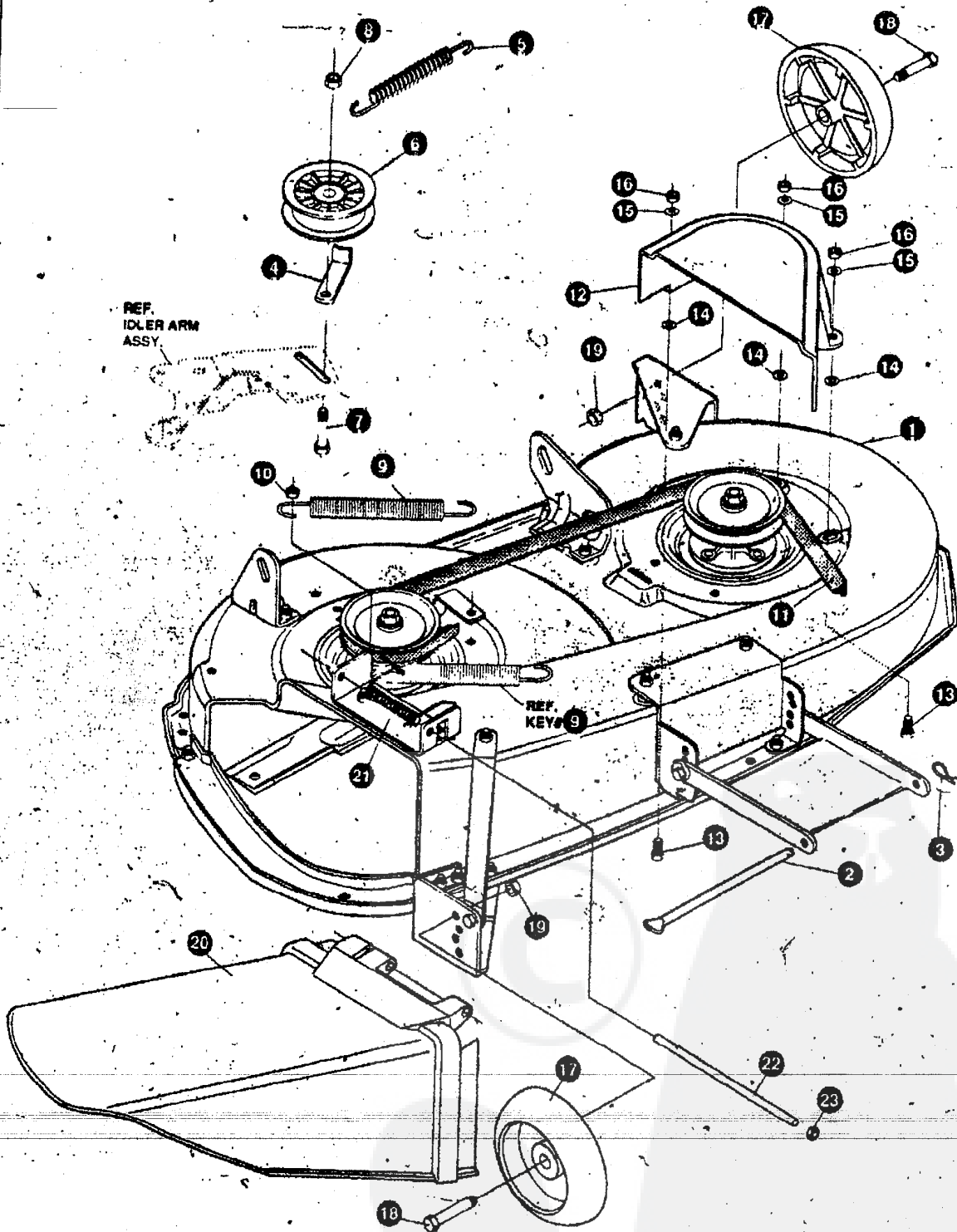
324144 G

TRACTEUR TONDEUSE 42" MODELE E3560-770

KEY#	PART#	DESCRIPTION	QTY
1	325116	42' DECK KIT	1
2	326480	TOE GUARD - MULCHER	1
3	180077	SCREW, 5/16-18X 75 HHC	1
4	1498	NUT, 5/16-18 REGHEXCTRLK	1
5	180077	SCREW, 5/16-18X 75 HHC	1
6	1498	NUT, 5/16-18 REGHEXCTRLK	2
7	317017	BRACKET CHUTE MOUNT BLACK	2
8	180077	SCREW, 5/16-18X 75 HHC	1
9	120393	WASHER, FLAT 344X 69X 065	2
10	1498	NUT, 5/16-18 REGHEXCTALK	2
11	313929	LIFT BRKT, REAR RH BLK 853	2
12	160077	SCREW, 5/16-18X 75 HHC	1
13	120393	WASHER, FLAT 344X 69X 065	2
14	1498	NUT, 5/16-18 REGHEXCTRLK	2
15	310667	BRACKET DECK LIFT REAR LHBLK	1
16	180077	SCREW, 5/16-18X 75 HHC	2
17	120393	WASHER, FLAT 344X 69X 065	2
18	1498	NUT, 5/16-18 REGHEXCTRLK	2
19	326893	BRACE IDLER SUPPORT 40" 43"	2
20	180077	SCREW, 5/16-18X 75 HHC	2
22	44108	NUT, 5/16-18 HWDPLCTRLK	2
23	56424	QUILL ASSY, 36/39/40/43	2
23-1	56425	SHAFT/SADDLE 38"	2
23-2	49562	BRNG. BALL 6203-2AA(SEALS)-C3	1
23-3	50616	DUST SHIELD	1
23-4	55547	QUILL CASTING (1046)	1
23-5	49562	BRNG. BALL 6203-2AA(SEALS)-C3	1
23-6	50818	SPACER, SLEV .669X.88X3.797	1
23-7	51449	SPACER, SLEV .672X .93X .438PM	1
23-8	313898	PULLEY ASSY	1
23-9	56365	WASHER, SPECIAL QUILL	1
23-10	1282	NUT, 7/16-20 WDFLLK	1
34	35498	SCREW, 5/16-18X 75 WAHHTAP	1
35	300345	SCREW, 5/16-18X1.38 WAHHTAP	1
36	1498	NUT, 5/16-18 REGHEXCTRLK	1
37	317040	BRACKET FRT BLACK	1
38	180077	SCREW, 5/16-18X 75 HHC	4
39	1498	NUT, 5/16-18 REGHEXCTRLK	4
40	58305	BRACKET LINK DECK FRONT	1
41	68247	NUT ADJUST	2
42	180079	SCREW 5/16-18X1.00 HHC	2
43	1498	NUT, 5/16-18 REGHEXCTRLK	2
44	317041	BRKT, GAGE WHEEL LH BLACK	1
45	180077	SCREW, 5/16-18X 75 HHC	1
46	1498	NUT, 5/16-18 REGHEXCTRLK	3
47	322464	BRACKET GAGE WHEEL R.H. FRNT	3
48	314282	BRACKET STABILIZER	1
49	180077	SCREW, 5/16-18X 75 HHC	2
50	1498	NUT, 5/16-18 REGHEXCTRLK	2
51	326961	BLADE 43 BLK	3
52	2483	WASHER, 39IDX1.25DX.07 BELLVL	2
53	3 9 5 7 3	SCREW, 3/8-24X1.00 NYLHHC	6
54	320576	IDLER ARM ASSEMBLY	2
54-1	322116	ARM IDLER 40/43 DECK	1
54-2	4 1 6 0 1	RIVET, OV SET .187DIA X .50LG ST	1
54-3	306973	BRAKE PAD - HARD 232AF	2
58	304420	BOLT 500X2.15 HSSH	1
59	996416	WASHER, FLAT .391X1.00X.125	1
60	996307	WASHER, FLAT .391X1.00X.209	1
61	45171	NUT, 3/8-16 HWDPL WHIZ-LOCK	1
62	326249	BRACKET EXTENSION IDLER	1
63	180077	SCREW, 5/16-18X 75 HHC	1
64	180083	SCREW, 5/16-18X1.50 HHC	1
65	446363	WASHER, FLAT .375X .88X.082	1
66	271184	NUT, 5/16-18 HEXKEPS	1
67	1498	NUT, 5/16-18 REGHEXCTRLK	2
68	321828	BLADE BRAKE ASSY	1
68-1	135624	RIVET, TRSET .185DIA X .41LG ST	1
68-2	304119	BRAKE ARM HT 955	2
68-3	306973	BRAKE PAD - HARD 232AF	1
72	180075	SCREW, 5/16-18X 63 HHC	1
73	120393	WASHER, FLAT 344X 69X 065	1
74	1498	NUT, 5/16-18 REGHEXCTRLK	1
75	314079	ROD, BRAKE	1
76	1 5 0 2	NUT, 1/4-20 REGHEXCTRLK	1
77	180079	SCREW, 5/16-18X1.00 HHC	1
78	120393	WASHER, FLAT 344X 69X 065	1
79	1498	NUT, 5/16-18 REGHEXCTRLK	1
80	3 2 5 9 6 5	BELT GUIDE 43 DECK UPSTOP	1
81	3 0 8 2 3 1	SCREW, 1/4-20X1.25 HHWATAP	1
82	311104	SCREW, 5/16-18X5 00 HHC	1
83	271184	NUT, 5/16-18 HEXKEPS	1
84	35410	SPRING .071 X 62 X 4 37	1

TRACTEUR TONDEUSE 42" MODELE E3560-770

CARTER DE TONDEUSE



UTILISEZ DES PIÈCES D'ORIGINE POUR CONSERVER L'APPLICATION DE LA GARANTIE.

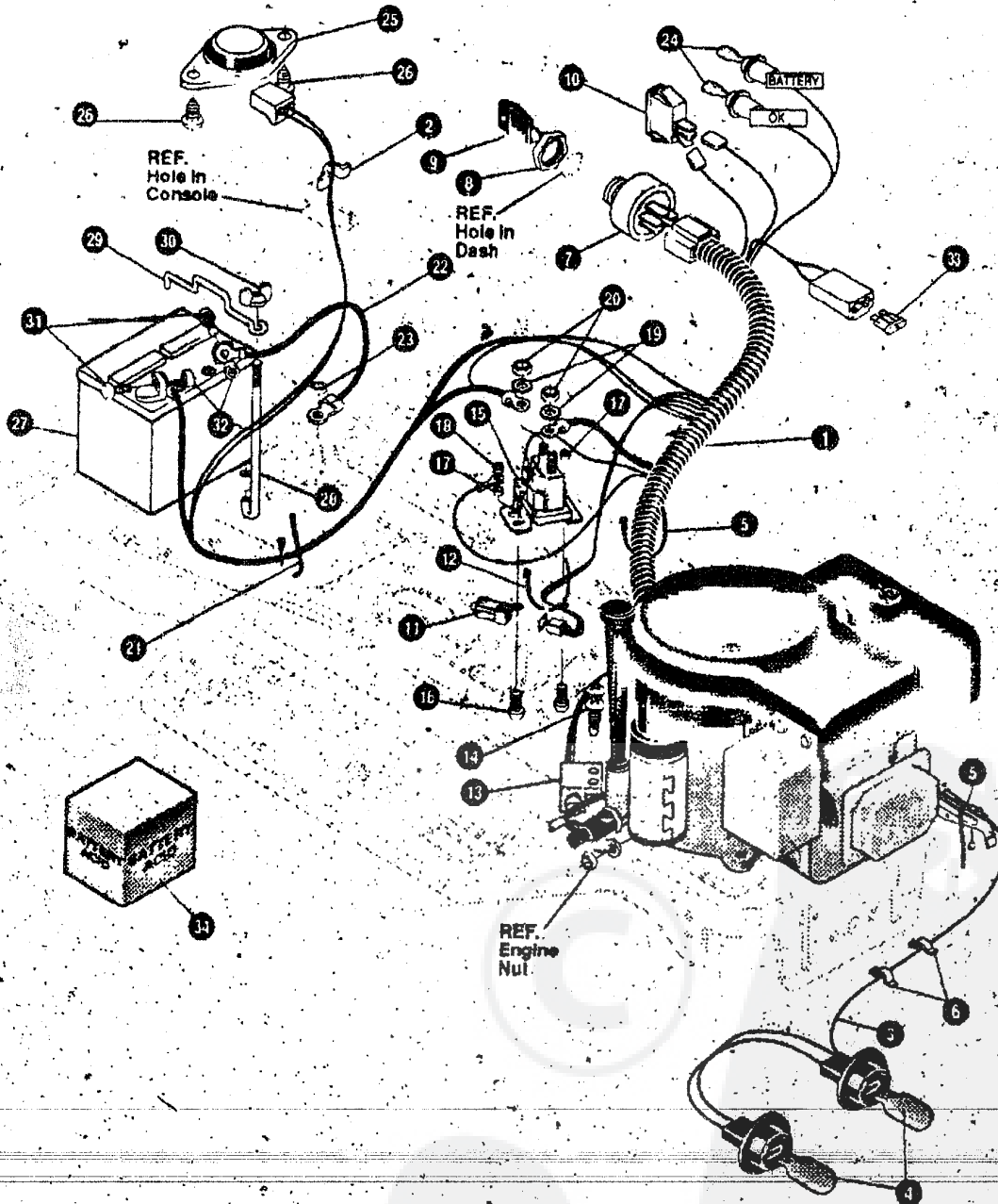
TOUTES LES PIÈCES NON REFERÉES SONT INTERCHANGEABLES AVEC LEURS OPPOSÉS. 326401 C

TRACTEUR TONDEUSE 42" MODELE E3560-770

KEY#	PART#	DESCRIPTION	QTY
1	317711	DECK, 42" MOWER 2-WH EXPORT	1
2	58306	ROD, DECK HITCH	1
4	8260	PIN, HAIR 091 DIA X 1.66 LG	1
5	314107 1346	RETAINER, BELT	1
6	310328	SPRING, TENSION 5.00 LG X 17 LB/IN	1
8	126416	PULLEY, IDLER BFF 4 00 WIDE FL	1
9	35410 45171	BOLT, 3/8-16 X 1.75 CARRLN	1
10		NUT, 3/8-16 HWDFL WHIZ-LOCK	1
11	314108 1495	SPRING .071 X .62 X 4.37	1
12	330520	NUT, 5/16-18 REG HEX CTRLK	1
13	57101	BELT, V 5L 66 00 KEVLAR	1
14		GUARD, BELT LH PLASTIC	1
15	309438 12638	BOLT, 5/16-18 X 75 CARRSN	3
16	1498	PUSHNUT, 5/16 BOLT RETAINER	3
17	302611	WASHER, FLAT 344X .69X .065	3
18	23763	NUT, 5/16-18 REG HEX CTRLK	3
20	304422 1499	GAUGE WHEEL EURO 6 00 ODX 1.38 WD	2
21	314975	BOLT, 5/16-18 HSSH 3/8-16	2
22	304424	NUT, 3/8-16 REG HEX CTRLK	2
23	3535	CHUTE DEFLECTOR 40" 42" 843"	1
		SPRING TORSION CHUTE DEFLECTOR	1
		ROD PIVOT DECK 312 DX 7.25	1
		NUT, PUSH ON CAP 312 OD	1

TRACTEUR TONDEUSE 42" MODELE E3560770

FAISCEAU ELECTRIQUE



UTILISEZ DES PIÈCES D'ORIGINE POUR CONSERVER L'APPLICATION DE LA GARANTIE.

TOUTES LES PIÈCES NON REFERÉES SONT INTERCHANGEABLES AVEC LEURS OPPOSÉES.

332900 A

TRACTEUR TONDEUSE 42" MODELE E3560-770

KEY#	PART#	DESCRIPTION	QTY
1	331363	HARNES 140HV BLS. H18 WRAP	1
2	41482	PRESS CLIP 1.380LG. 255ID	1
3	303064	ASSY LIGHT WIRE 1/4 TURN	1
4	52572	BULB. HEADLAMP	1
5	57444	TIE, CABLE BLACK NYLON 5.62L	2
6	41482	PRESS CLIP 1.380LG. 255ID	2
7	327355	SWITCH-IGN (AFTER FIRE) 3 POSN	2
8	327352	NUT, 5/8-8ACME DELTA FOR BOOT	1
9	3273508	KEY IGNITION GENERIC DELTA	1
10	300334	LIGHT SWITCH ON/OFF PANEL MNT	1
11	320082	SWITCH DOUBLE POLE NO/NC GRAY	1
12	57444	TIE, CABLE BLACK NYLON 5.62L	1
13	57476	SWITCH SCR MNT DP NC NO BLK	1
14	57220	SCREW, #12 X .50 PHPNHTAP BLK	2
15	53716	SOLENOID	1
16	167745	SCREW, 1/4-20X .75 HXSEMMA	2
17	1502	NUT, 1/4-20 REGHEXCTRLK	2
18	271172	NUT, 1/4-M REGHEXKEPS	2
19	138485	WASHER, EXLK 320X.61X.63	2
20	120368	NUT, 5/16-24 REGHEX	2
21	57444	TIE, CABLE BLACK NYLON 5.62 L	1
22	55511	WIRE, GROUND, 12.5"	1
23	271164	NUT, 5/16-18 HEXKEPS	1
24	57769	BULB, INDICATOR	1
25	57547	SWITCH, SEAT	2
26	160505	SCREW, 1/4-20X .38 PHPNHMA	1
27	302257	BATTERY, 12V GENERIC	1
28	57551	ROD, BATTERY	1
29	57552	ROD, BATTERY, TOP	1
30	325232	NUT, WING 1/4-20 NYLON	1
31	180020	SCREW, 1/4-20X .75 HHC	2
32	271172	NUT, 1/4-20 REGHEXKEPS	2
34		BATTERY ACID PACK, 90 OZ	1

A CAN BE PURCHASED LOCALLY

