

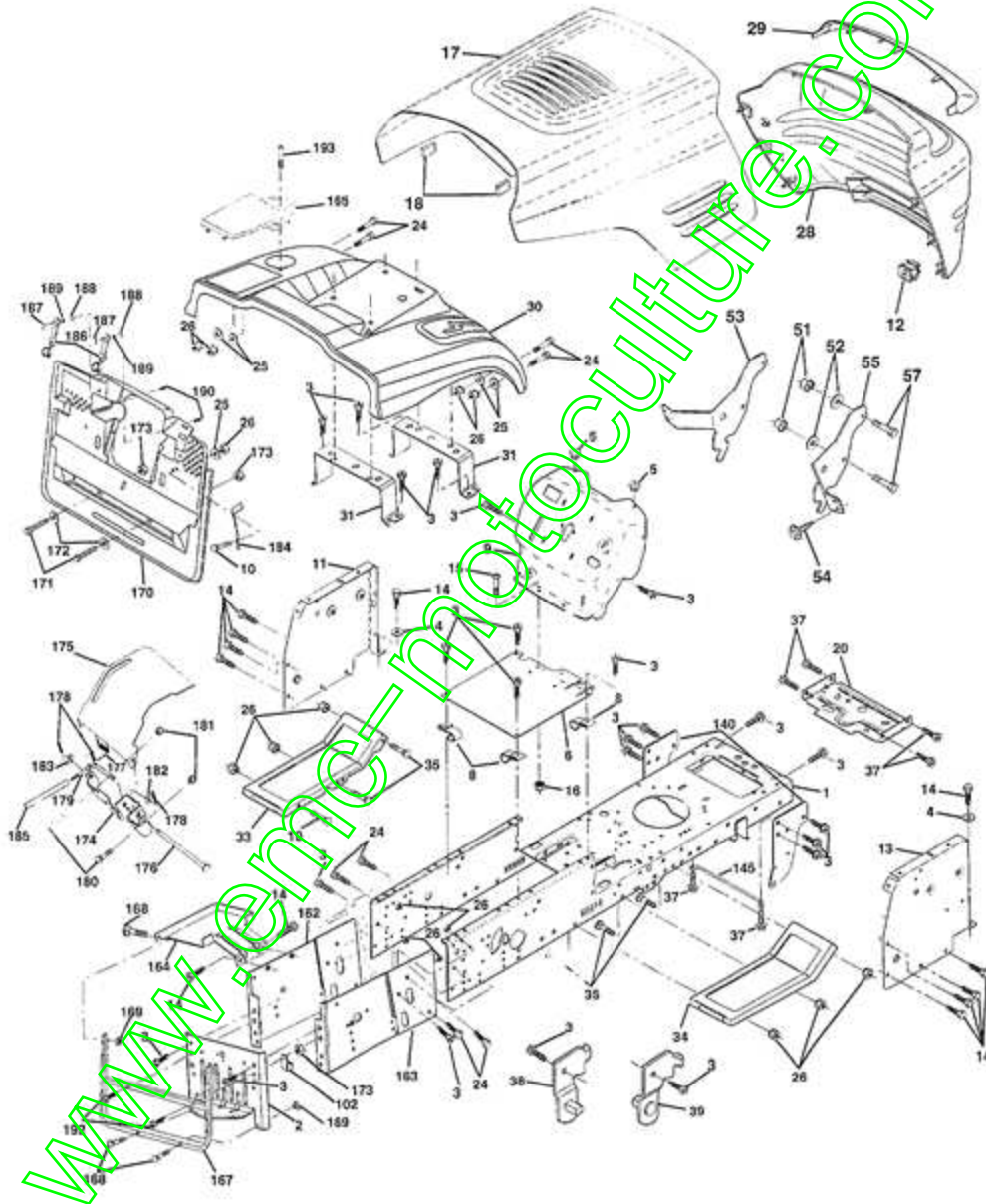
# TRACTOR- -MODEL NO. VL1336BAA

## BAGGER



Ref #	Part #	Description	Context Note	Foot Note	MSRP	MSRP
1	165249	TUBE.HDLE.BAG.CRD			7.40	
2	72140416	BOLT.CARRIAGE.1/4-20X2.0			2.47	
3	123976X	SUB= 73900400			2.32	
4	165693	HANDLE.GRAB.BLACK.			5.92	
5	74981024	"SCREW,PAN.HEAD"			2.91	
6	74981032	SCREW				
7	59931	NUT LOCK				
8	165715X550	COVER.BAGGER.CRD				
9	72140418	BOLT CARRIAGE			2.47	
10	165716	SUPT.ASM.WLDMNT.BAG.CRD			49.38	
11	165719	BRKT.SUPT.UPPER.BAG.CRD			6.04	
12	165735	BRKT.PIVOT.BAG.LH.CRD				
13	72110606	BOLT			2.47	
14	74520640	BOLT.HEX.3/8-16X2-1/2				
16	73900600	SUB= 83923				
17	72140506	BOLT			2.46	
18	19112016	WASHER				
19	73800500	NUT			2.46	
20	165736	"BRKT.PIVOT.BAG,RH.CRD"				
21	165780	BAG.ASM.CRD				
22	165781	BRKT.SIDE.BAG.CRD			2.61	
23	165782	TUBE.UPPER.BAG.CRD			81.96	
24	165783	TUBE.PIVOT.BAG.CRD			12.54	
25	165784	TUBE.FT.BAG.CRD				
26	165785	TUBE.LOWER.BAG.CRD.			31.13	
27	165786	GROMMET,EXTRUDED				
28	165787	GRIP.HANDLE.BLACK			2.46	
29	165839	PLATE.STOP.BAG.HDLE.CRD				
30	72140410	BOLT.CARRIAGE				
31	4497H	RETAINER M			4.67	
32	126875X	RIVET.DRILL.1.75			2.47	

**TRACTOR- -MODEL NO. VL1336BAA**  
**CHASSIS AND ENCLOSURES**

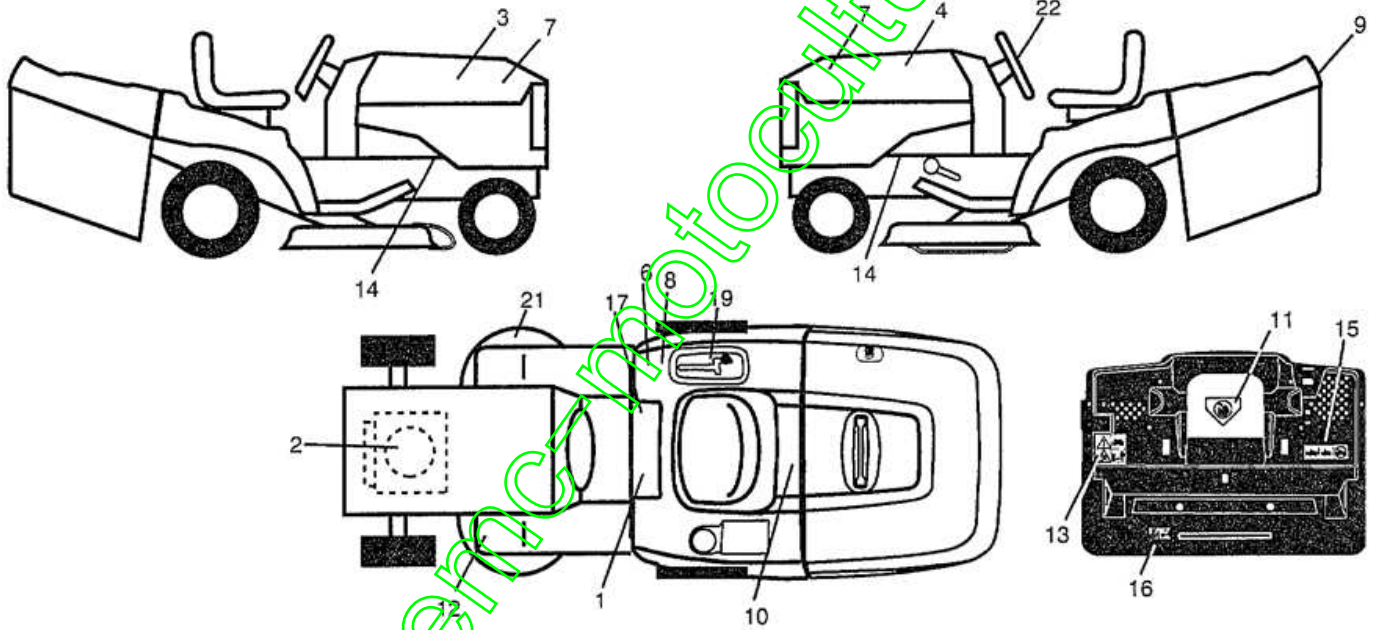


Ref #	Part #	Description	Context Note	Foot Note	MSRP	MSRP
1	165480	CHASSIS.STAMPING				
2	165606	DRAWBAR.CRD				54.06
3	17490612	SCREW				
4	19131216	WASHER				2.46
5	155272	BUMPER-HOOD/DASH				2.91
6	155923	SADDLE				8.09
8	126471X	"CLIP,INSULATOR"				2.47
9	147631X011	DASH.SILKSCREEN				
10	72140608	SUB= 72110608				
11	155927	"PANEL-DASH,LH"				
12	145660	CLIP.TINNERMAN				2.46
13	155936	"PANEL-DASH,RH"				
14	17490608	SCREW LT				2.91
15	74180512	SCREW				2.91
16	73510500	NUT				2.91
17	144983X550	HOOD				33.76
18	126938X	SUB= 532126938				
20	156437	"PLATE-MTG,BATT/FU"				
24	74780616	BOLT				2.91
25	19131312	WASHER				2.91
26	73800600	NUT				2.47
28	145198X418	GRILLE PL				
29	155217X599	LENS GRILLE				24.09
30	165714X550	FENDER.GEAR.CRD.GREEN				
31	165156	BRKT.SUPT.FENDER.CRD				3.63
33	145244X550	FOOTREST.LH.LT/GT				
34	145243X550	FOOTREST.RH.LT/GT				
35	72110606	BOLT				2.47
37	17490508	SCREW LT				2.91
38	139886	BRACKET ASM LH				4.69
39	139887	BRACKET ASM RH				4.69
51	73800400	NUT				2.47
52	19091416	WASHER				2.91
53	145201	BRACKET.GRILLE.LH				3.49
54	161464	SCREW.HEX.WS.HD				2.91
55	145202	BRACKET.GRILLE.RH				2.91
57	74780412	SUB= 74780414				
102	2751R	CLIP T				2.47
140	158418	BRKT SUSPENSION				5.91
145	156524	"ROD POVOT,CHASSIS"				
162	165672	BRKT.EXT.CHASSIS.LH.CRD				
163	165673	BRKT.EXT.CHASSIS.RH.CRD				

Ref #	Part #	Description	Context Note	Foot Note	MSRP	MSRP
164	165605	SUPPORT.BATTERY.CRD				45.85
165	165742X428	COVER.BATTERY.CRD.BLACK.LT				10.59
167	165779	SUPT.ASM.BACKPLATE				
168	72050412	BOLT-RD HD SQ NK				2.91
169	123976X	SUB= 73900400				2.32
170	165607	COVER.BACKPLATE.BLACK				
171	74520640	BOLT.HEX.3/8-16X2-1/2				
172	19132016	SUB= 19132012				
173	73510600	NUT				2.91
174	165939	BRKT.SWITCH.FBI.CRD				
175	166212	GRUARD.DOOR.REAR.CRD				
176	128600	HINGE PIN				
177	132796	SPRING.COVER.LH				2.46
178	76020312	SUB= 3145				2.47
179	165942	ROD.PIVOT.FBI.CRD				6.37
180	74760516	SUB= 77394				
181	73680500	SUB= 73690500				
182	138200	WASHER.385X.625				2.47
183	19131316	WASHER				2.46
184	166139	BRKT.ACTUATOR.BAG.CRD				22.34
185	165940	TUBE.LEVER.SWCH.FBI.CRD				2.47
186	160793	LATCH ASSY.BAGGER				6.45
187	2029J	WELD NUT				2.47
188	19061216	WASHER #10				2.46
189	10071000	LOCKWASHER				2.47
190	71161010	SCREW				
192	17490624	SCREW LT				
193	17720410	SCREW LT				
	5479J	PLUG BUTTON T				2.91

### TRACTOR- -MODEL NO. VL1336BAA

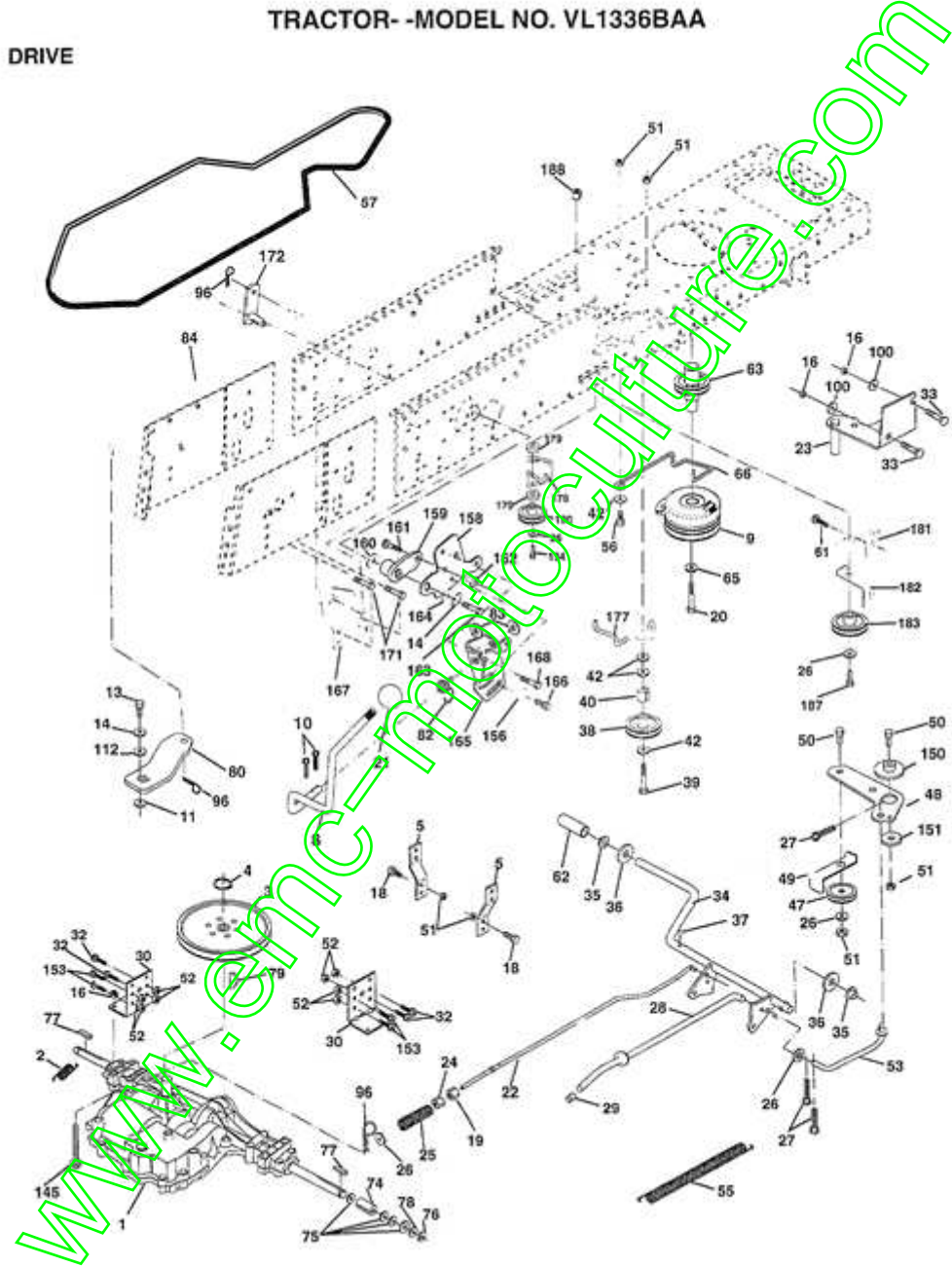
#### DECALS



Ref #	Part #	Description	Context Note	Foot Note	MSRP	MSRP
1	145498	DECAL.READ.O.MANU				3.18
2	168410	DECAL, ENGINE				
3	167585	DECAL, HOOD				
4	167586	DECAL, HOOD				
5	166963	DECAL.CONSOLE.6SP.CRD				
6	126187X	SUB= 532126187				
7	143387	NAMEPLATE HD VERT				
8	145437	DECAL.EURO.ST.CE.				2.72
9	139466	DECAL.FENDER				
10	145005	DECAL.BATRY.3-3908				2.91
11	145494	DECAL.DANGER.CUTF				
12	159737	DECAL-BRAKE/CLUTC				2.47
13	166959	DECAL.WARNING.BACKPLATE.CRD				
14	159736	"DECAL CHASSIS,HOT"				3.18
15	166961	DECAL, OPER BAG				
16	162598	DECAL.DRAWBAR.LDL				3.18
17	140837	DECAL BRAK PARK				2.91
19	166963	DECAL.CONSOLE.6SP.CRD				
21	166286	DECAL.DECK.HEX.BELT				2.47
22	139462	DECAL.WHL.STRG				
	138311	DECAL HANDLE LIFT				2.47
	157199	"PAD-FOOTREST,SQ"				
	167525	OPERATOR'S MANUAL				
	167526	PARTS MANUAL				

www.emc-motoculture.com







Ref #	Part #	Description	Context Note	Foot Note	MSRP	MSRP
1	SUPPLIER	CHECK WITH SUPPLIER				
2	146682	SPRING.BRAKE.RETU				3.98
3	165999	"PULLEY.TRANSAXLE.7""				28.85
4	12000028	SUB= 2267J				4.19
5	121520X	STRAP TORQUE				2.91
8	165619	ROD.SHIFT.FENDER.ADJ.LT.CRD				18.70
9	167162	CLUTCH.ELEC.EVX				
10	76020416	PIN COTTER 1/8				2.91
11	105701X	WASH-SHFT PLT LT				2.91
13	74550412	BOLT.1/4-28.W/PAT				2.91
14	10040400	LOCKWASHER				2.91
16	73800500	NUT				2.46
18	74780616	BOLT				2.91
19	73800600	NUT				2.47
20	150280	BOLT.7/16-20X4.25				3.35
21	106933X	KNOB T (1/2-HOLE)				2.46
22	165811	ROD.BRAKE.PMST.CRD				25.32
23	154978	BRACKET.CLUT.MTG.				
24	73350600	NUT				2.91
25	106888X	SPRING ROD LT				2.47
26	19131316	WASHER				2.46
27	76020412	COTTER PIN				2.91
28	145204	ROD.BRAKE PARK.LT				
29	71673	PLUNGER CAP T				2.91
30	130807	TRANSAXLE MTG BKT				2.91
32	74760512	BOLT				2.91
33	72140516	BOLT				
34	165496	SHAFT.ASM.PEDAL.FOOT.CRD				
35	120183X	NYLON BEARING				2.46
36	19211616	WASHER LT				2.91
37	1572H	SUB= 2882J				
38	165630	PULLEY.FLAT.IDLER				16.52
39	74760644	BOLT				2.91
40	4470J	SPACER T				2.91
42	19131312	WASHER				2.91
47	127783	SUB= 139245				
48	154407	BELLCRANK.CLUTCH				3.75
49	123205X	RETAIN BELT				2.91
50	74760624	SUB= 74930624				
51	73680600	SUB= 73690600				2.46
52	73680500	SUB= 73690500				
53	105710X	"LINK, CLUTCH T"				

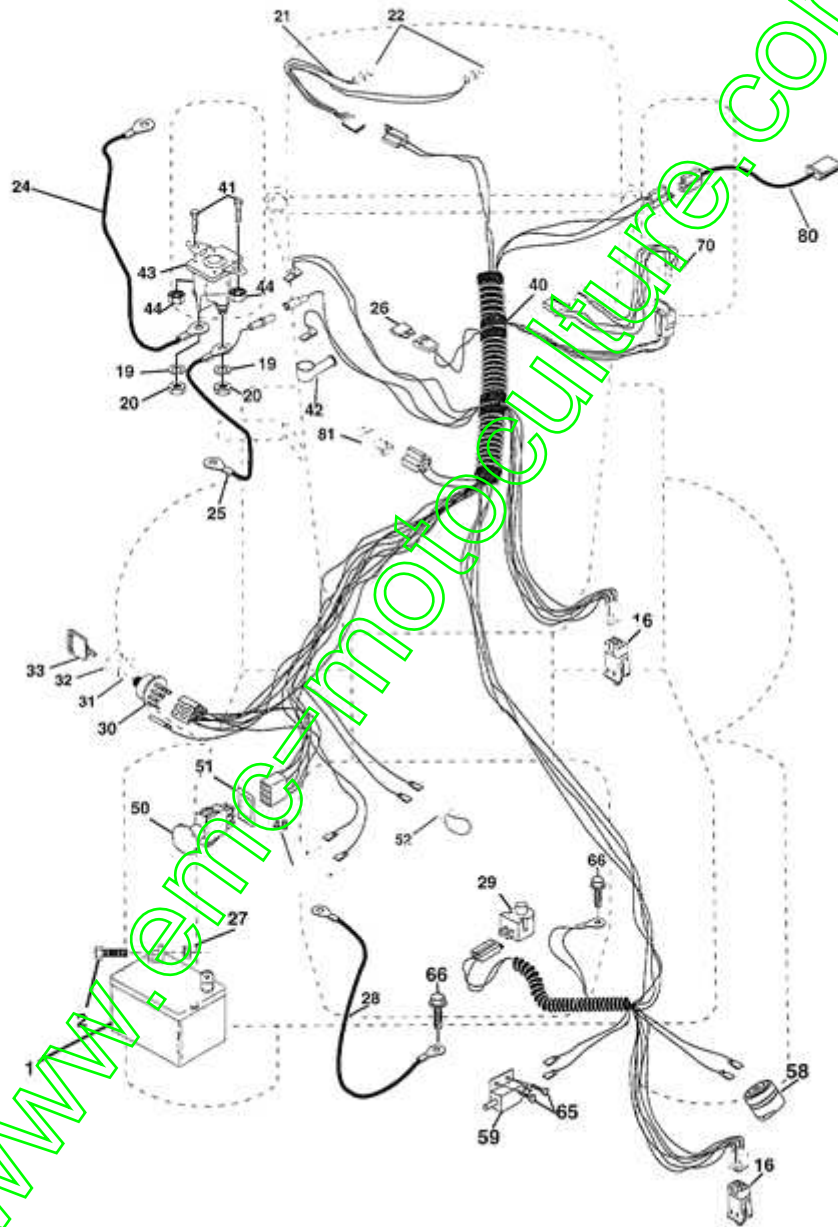
Ref #	Part #	Description	Context Note	Foot Note	MSRP	MSRP
55	105709X	"SPRING, RETURN LT"			6.83	
56	74760620	SUB= 74780620			2.91	
57	165631	"V-BELT.KEV.111""			57.03	
61	17490612	SCREW				
62	8883R	PEDAL COVER T			2.95	
63	145868	PULLEY.CLUTCH.EVX			36.38	
65	10040700	LOCKWASHER			2.91	
66	154778	KEEPER-BELT			7.38	
74	137057	SPACER AXLE			2.91	
75	121749X	WASHER			2.46	
76	12000001	E-RING LT			2.91	
77	123583X	SQUARE KEY			2.46	
78	121748X	WASHER			2.46	
79	2228M	SUB= 2228M1				
80	145090	"ARM.SHIFT.20""TIRE"			2.91	
82	123782X	"SPRING,TORSION"			2.46	
83	19171216	WASHER			2.91	
84	165621	LINK.SHIFT.CRD			18.24	
96	4497H	RETAINER M			4.67	
100	19111216	WASHER M			2.91	
112	19091210	WASHER LT			2.91	
145	74490540	BOLT.HEX.FLGHD			2.46	
150	165850	BUSHING.BELL CRANK.GRD.DR			2.91	
151	19133210	WASHER			2.91	
153	74760516	SUB= 77394				
156	166002	WASHER.SRRTD.5/16			2.91	
158	165589	BRKT.SHIFT.MOUNT			2.91	
159	165494	HUB.SHIFT				
160	19292016	WASHER			2.91	
161	72140406	BOLT T			2.91	
162	73680400	SUB= 73690400			2.32	
163	74780416	NLA			2.91	
164	19091010	WASHER.5/8X.281X10GA				
165	165623	BRKT.PIVOT.LEVER			4.16	
166	166880	SCREW.5/16-18X5/8			2.91	
167	165588	BRKT.SUPT.SHIFT.CRD			13.57	
168	165492	BOLT.SHOULDER.5/16-18X.561			2.91	
171	17490608	SCREW LT			2.91	
172	165635	SHAFT.ASM.SHIFT.FRT.CRD			13.00	
177	165932	KEEPER.FLAT.IDLER			3.64	
178	165933	KEEPER.BELT.IDLER			3.07	
179	120958X	WASHER			3.75	

Ref #	Part #	Description	Context Note	Foot Note	MSRP	MSRP
180	165936	PULLEY.FLAT				16.52
181	165797	BRKT.IDLER.GRD.DR.CRD				2.47
182	165634	"KEEPER.BELT.2.5"".OD.CRD"				6.31
183	165626	PULLEY.V-IDLER				17.66
184	17490644	SCREW.HXWSH.3/8				3.75
187	17490620	SCREW				
188	110436X	SUB= 9151R				

[www.emc-motoculture.com](http://www.emc-motoculture.com)

ELECTRICAL

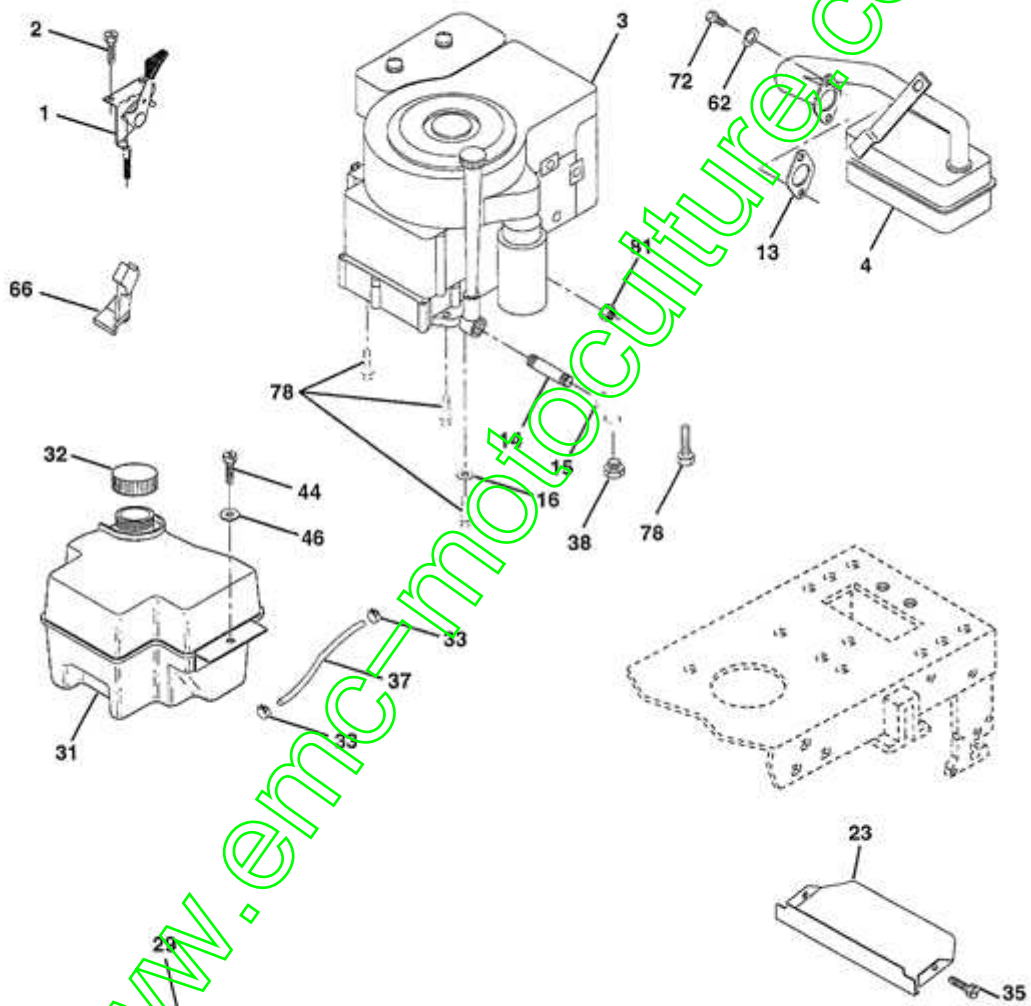
TRACTOR- -MODEL NO. VL1336BAA



Ref #	Part #	Description	Context Note	Foot Note	MSRP	MSRP
	REFER	REFER TO IMAGE				
1	144925	SUB= 123899X				
2	74760412	BOLT LT			2.91	
16	153664	SWITCH INTERLOCK				
19	10090400	SUB= 10040400				
20	73350400	NUT			2.47	
21	166181	HARNES.SASM.LIGHT W/4152J				
22	4152J	HEADLAMP BULB			2.91	
24	4799J	"CABLE T, BATTERY"			5.51	
25	165987	CABLE.BATTERY.CRD			15.84	
26	166180	FUSE.15 AMP				
27	73510400	NUT				
28	127725X	"CABLE.GRD.6GA/18""BLACK"			4.33	
29	160784	SWITCH.PLUNGER			9.00	
30	140301	SWITCH IGN 4POS			19.69	
31	124211X	NUT IGNITION			2.91	
32	141226	COVER KEY SWITCH			2.91	
33	122147X	KEY			3.75	
40	166158	HARNES.IGN.CRD.ELECT				
41	71110408	BOLT HXHD FIN			2.91	
42	131563	SUB= 154336			2.91	
43	145673	SUB= 146154				
44	73640400	NUT HXKEP 1/4X20			2.91	
48	140844	ADAPTER AMMETER			3.18	
50	154959	PTO SWITCH.BLK				
51	140405	RING RETAIN PTO			2.91	
52	141940	PROTECTION LOOP			3.20	
58	165943	BUZZER CRD				
59	166299	SWITCH.FBI.CRD			5.81	
65	17211008	SCREW			2.47	
66	17490608	SCREW LT			2.91	
70	166668	HARNES.ENGINE				
80	146685	HARNES.CLUT.EVX.			12.50	
81	109748X	RELAY ASSY T			16.34	

TRACTOR- -MODEL NO. VL1336BAA

ENGINE



**OPTIONAL EQUIPMENT**  
Spark Arrester



Ref #	Part #	Description	Context Note	Foot Note	MSRP	MSRP
1	141359	CONTROL.THTL.23.5				
2	17720410	SCREW LT				
3		SUPPLIER CHECK WITH SUPPLIER				
4	137352	MUFFLER				55.78
13	165291	SUB= 272293				
14	13280324	PIPE NIPPLE				
15	13200300	ELBOW				5.24
16	11050600	LOCKWASHER				2.91
23	159880	SHIELD.BRN/DBR.GD				
29	137180	SUB= 532137180				37.00
31	161911	TANK.FUEL.FRONT.				
32	140527	CAP ASM FUEL				
33	123487X	HOSE CLAMP				2.91
35	17490512	SCREW				
37	137040	LINE FUEL				2.91
38		SUPPLIER CHECK WITH SUPPLIER				
44	17490412	SCREW HEX CRT				2.91
46	19091416	WASHER				2.91
62	10040500	LOCKWASHER				2.46
66	127951	"STOP,DASH THROTT"				
72	71070512	SCREW				
78	17490620	SCREW				
81	128861	NUT				

www.emc-motoculture.com



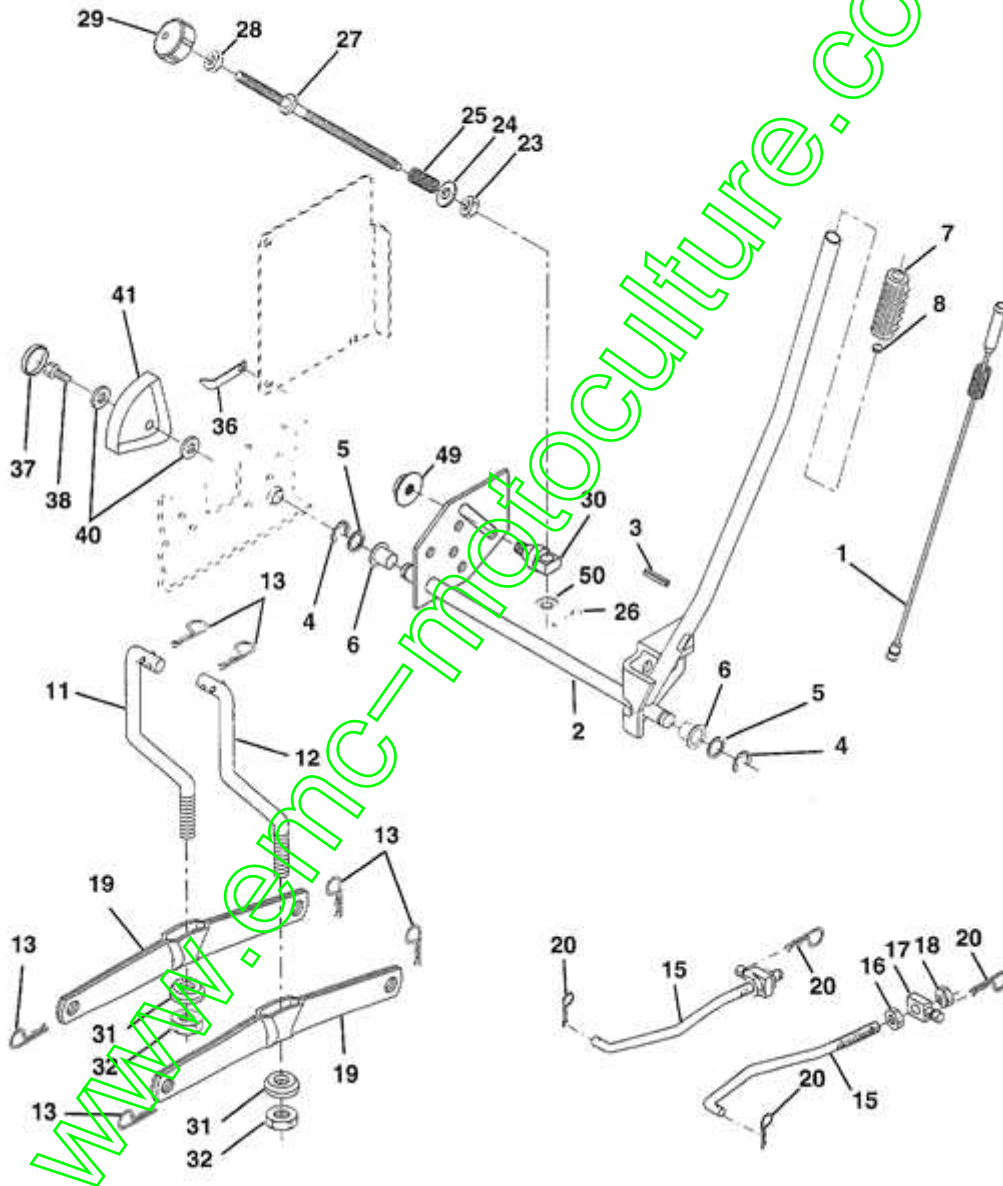
Ref #	Part #	Description	Context Note	Foot Note	MSRP	MSRP
1	165552	HOUSING.ASM.MOWER				
2	72140506	BOLT				2.46
3	165569	BRKT.ASM.S-BAR.CHASSIS				21.21
4	165558	BRKT.BAR.SWAY.DECK				15.28
5	4939M	SUB= 85902				
6	165557	BAR.SWAY.92.CRD				6.49
8	850857	BLADE BOLT				2.46
9	10030600	SUB= 10040600				
10	140296	WASHER.HARD.BLADE				2.46
11	165560	BLADE.3-1.LH.92.CRD				
12	129895	BEARING.BALL				4.53
13	137645	SUB= 137646				25.40
14	128774	HSG ASM MANDREL				22.95
15	110485X	BEARING				7.95
16	165561	BLADE.3-1.RH.CRD.92				26.91
17	72140610	BOLT.3/8-14X1.25				2.91
18	72110608	BOLT D				2.91
19	132827	BOLT SHD 5/16-18				2.46
20	165484	BOLT.3/8-24X1.25				3.48
21	73680500	SUB= 73690500				
22	165243	BRKT.IDLER.SPRT.CRD				
23	165446	"BRKT.IDLER.SPRT.RE.92.CRD"				
24	165242	BRKT.SUSP.LF.92.CRD				11.16
25	165244	BRKT.SUSP.RF.92.CRD				17.09
26	165237	BRACE.SUPT.SUSP.FRT.CRD				5.24
27	165568	BRKT.ASM.SUSP.RR.92.CRD				14.70
28	165567	BRKT.ASM.SUSP.LR.92.CRD				12.42
30	157722	"SCREW-THD ROLL,WA"				
31	129963	WASHER				
32	153531	PULLEY.MAND.36/46				
33	137266	SUB= 139729				
34	165239	BRKT.GUAGE.WHL.LF.92.CRD				
35	165238	BRKT.GUAGE.WHL.RF.92.CRD				
36	146763	PULLEY.IDLER.4.25				14.48
37	19131316	WASHER				2.46
40	73680600	SUB= 73690600				2.46
44	165724	COVER.MANDREL.LH.92.CRD				50.53
45	165556	COVER.MANDREL.RH.92.CRD				
46	137729	SCREW.1/4-20X5/8				2.46
55	165445	ARM.IDLER.92.CRD				11.17
56	122052X	SPACER RETAINER				
61	165945	SPRING.TENSION.BELT				2.46

Ref #	Part #	Description	Context Note	Foot Note	MSRP	MSRP
68	165555	HEX-BELT.92.MWR.105AA				
69	165482	SHAFT.ASM.W/LWR.BRG.RH.THD				32.17
84	156085	"KEEPER-BELT,IDLER"				
116	137644	BOLT.SHOULDER				
117	133957	WHEEL GAGE DONUT				9.63
118	73930600	LOCKNUT				2.47
119	19121414	WASHER				2.47
124	72110612	BOLT.3/8-16X1.50				2.91
128	153390	WASHER.FELT.				2.46
130	72110506	SUB= 72270506				2.91
131	165661	CHUTE.BAGGER.CRD				49.38
	130794	MANDREL ASM				39.95
	165579	MANDREL.ASM.CRD.LH.THREADS				55.30
	165578	DECK.MOWER.COMPLETE				

[www.emc-motoculture.com](http://www.emc-motoculture.com)

TRACTOR- -MODEL NO. VL1336BAA

MOWER LIFT

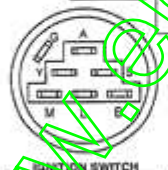
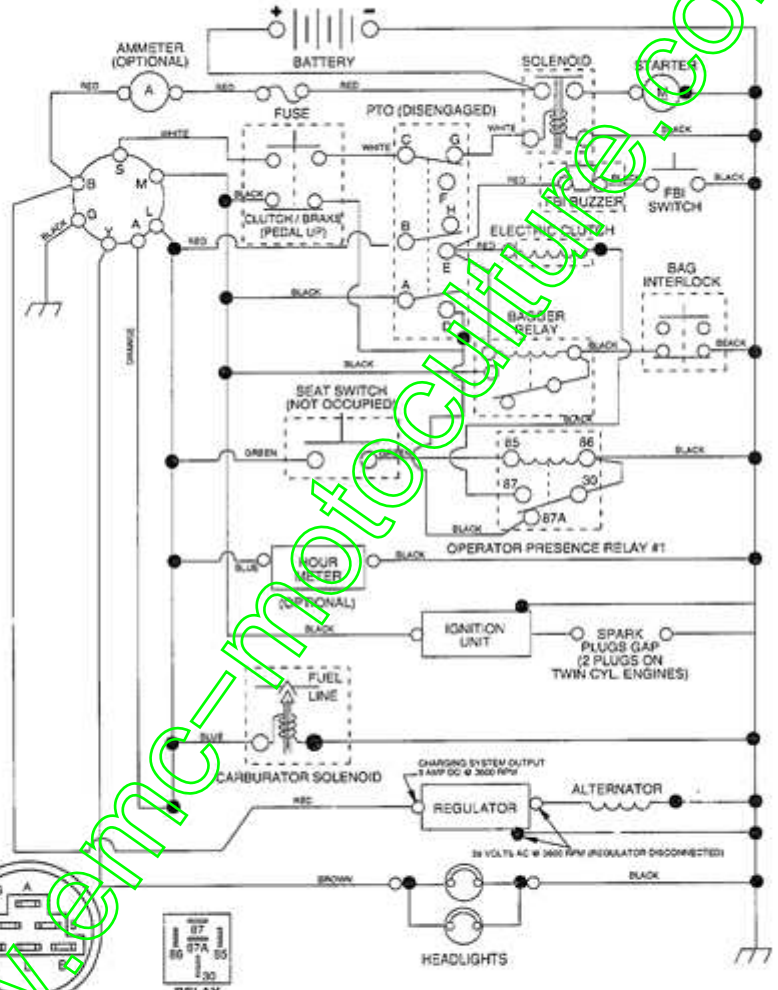


Ref #	Part #	Description	Context Note	Foot Note	MSRP	MSRP
1	159460	WIRE ASM W.SPRING			7.51	
2	159471	"SHAFT ASM LIFT,RH"			54.40	
3	105767X	PIN-GROOVE LT			2.46	
4	12000002	SUB= 2225J				
5	19211621	WASHER			2.91	
6	120183X	NYLON BEARING			2.46	
7	109413X	GRIP			2.91	
8	124526X	SUB= 125925X				
11	165829	LINK.LIFT.LH.CRD				
12	165831	LINK.LIFT.RH.CRD				
13	4939M	SUB= 85902				
15	127218	LINK.FRONT			7.97	
16	73350800	NUT			2.46	
17	130171	TRUNION				
18	73680800	NUT LTV			2.47	
19	139868	ARM SUSP REAR			10.74	
20	163552	RETAINER SPRING			2.47	
23	110807X	NUT T			2.91	
24	19131016	WASHER			2.91	
25	2876H	SPRING T			2.91	
26	76020308	SUB= 3145				
27	126971X	SUB= 532126971				
28	73350600	NUT			2.91	
29	138057	KNOB INF 3/8-16			5.10	
30	150233	TRUNNION			6.45	
31	140302	BEARING PVT LH				
32	73540600	NUT.CROWN LOCK.3/8			1.34	
36	155097	POINTER-INDICAT			2.91	
37	123935X	"PLUG,HOLE"			2.91	
38	17490512	SCREW				
40	19112410	WASHER			2.91	
41	123934X	HEIGHT INDICATOR			2.46	
49	145212	NUT.HXFLG.LOCK.				
50	110452X	NUT PUSH M			2.47	



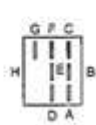
TRACTOR - -MODEL NO. VL1336BAA

SCHEMATIC



POSITION	CIRCUIT	MAKE
OFF	D = M = I	NOISE
START	B = L	A = Y
STOP	B = L = S	NOISE
START	B = L = S	NOISE

WIRING INSULATED CLIPS  
 NOTE: IF WIRING INSULATED CLIPS WERE REMOVED FOR SERVICING OF UNIT, THEY SHOULD BE REPLACED TO PROPERLY SECURE YOUR WIRING.



POSITION	CIRCUIT
OFF	C = G, B = H
ON	G = F, B = E, A = D

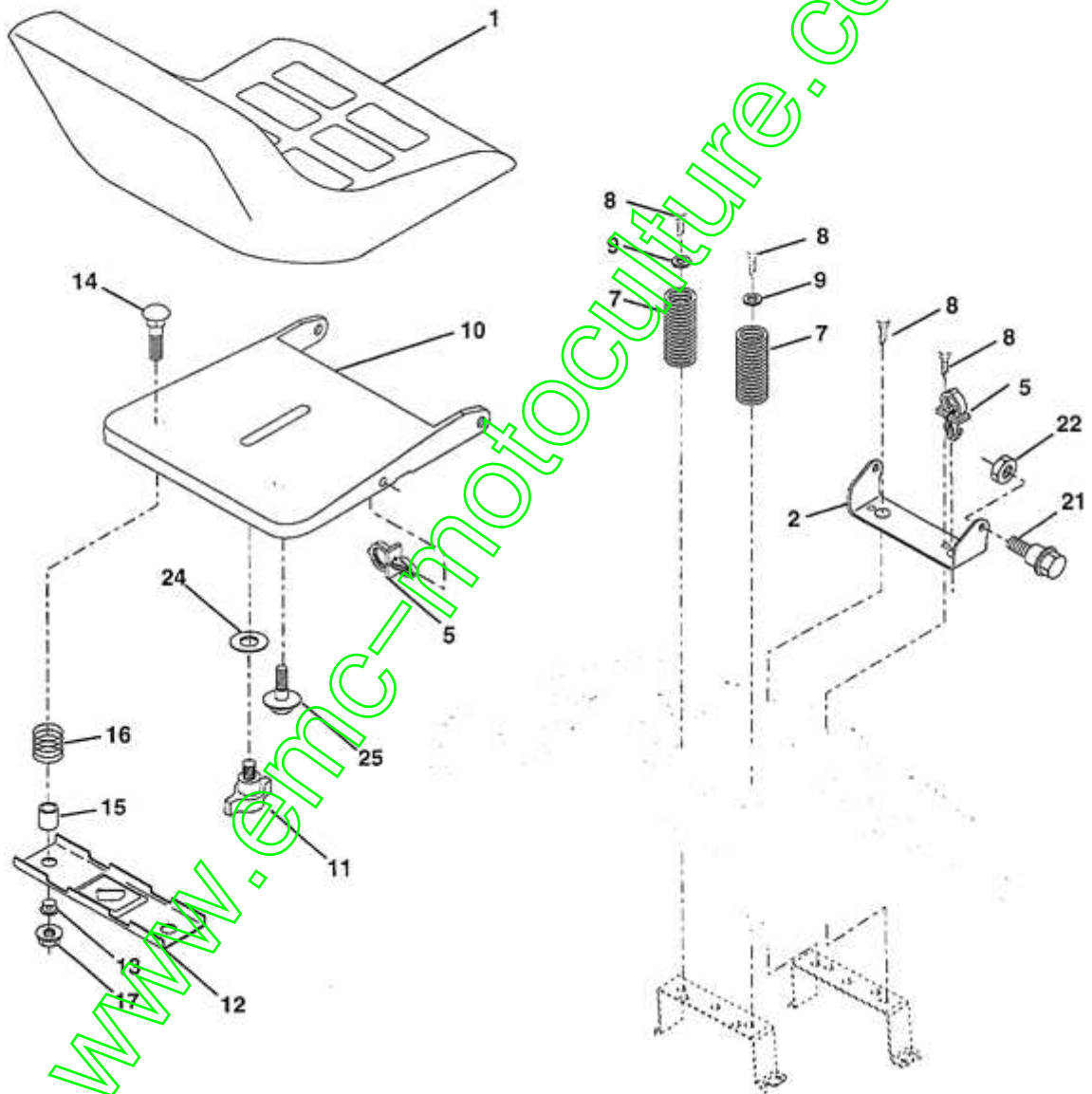


Ref #	Part #	Description	Context Note	Foot Note	MSRP	MSRP
		REFER	REFER	TO	IMAGE	

[www.emc-motoculture.com](http://www.emc-motoculture.com)

### TRACTOR- -MODEL NO. VL1336BAA

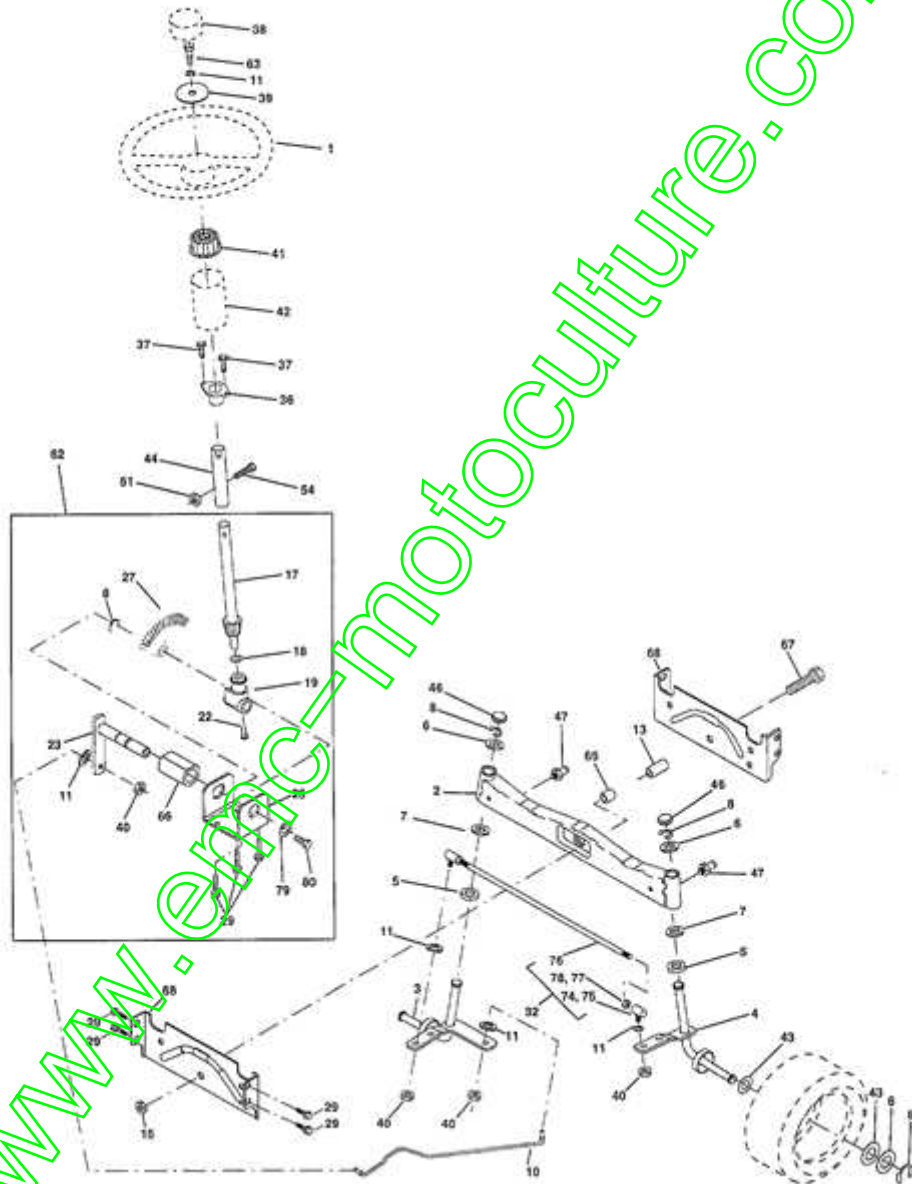
### SEAT ASSEMBLY



Ref #	Part #	Description	Context Note	Foot Note	MSRP	MSRP
1	127428	SUB= 140119				
2	140551	BRACKET PVT SEAT			2.91	
5	145006	CLIP.PUSH-IN.HING			2.46	
7	124181X	SPRING COMPRESSIO			3.62	
8	17490616	SCREW GTV				
9	19131614	WASHER				
10	155925	PAN-SEAT				
11	166369	KNOB.SEAT.ADJ.WINGNUT			3.63	
12	121246X	BRKT SWITCH			2.91	
13	121248X	BUSHING			2.91	
14	72050412	BOLT-RD HD SQ NK			2.91	
15	134300	SPLIT SPACER			2.91	
16	121250X	SPRING			2.91	
17	123976X	SUB= 73900400			2.32	
21	153236	"BOLT,SHOULDER"				
22	73800500	NUT			2.46	
24	19171912	WASHER			2.91	
25	127018X	"BOLT,SHOULDER"			2.91	

www.emc-motoculture.com

**TRACTOR- -MODEL NO. VL1336BAA**  
**STEERING ASSEMBLY**



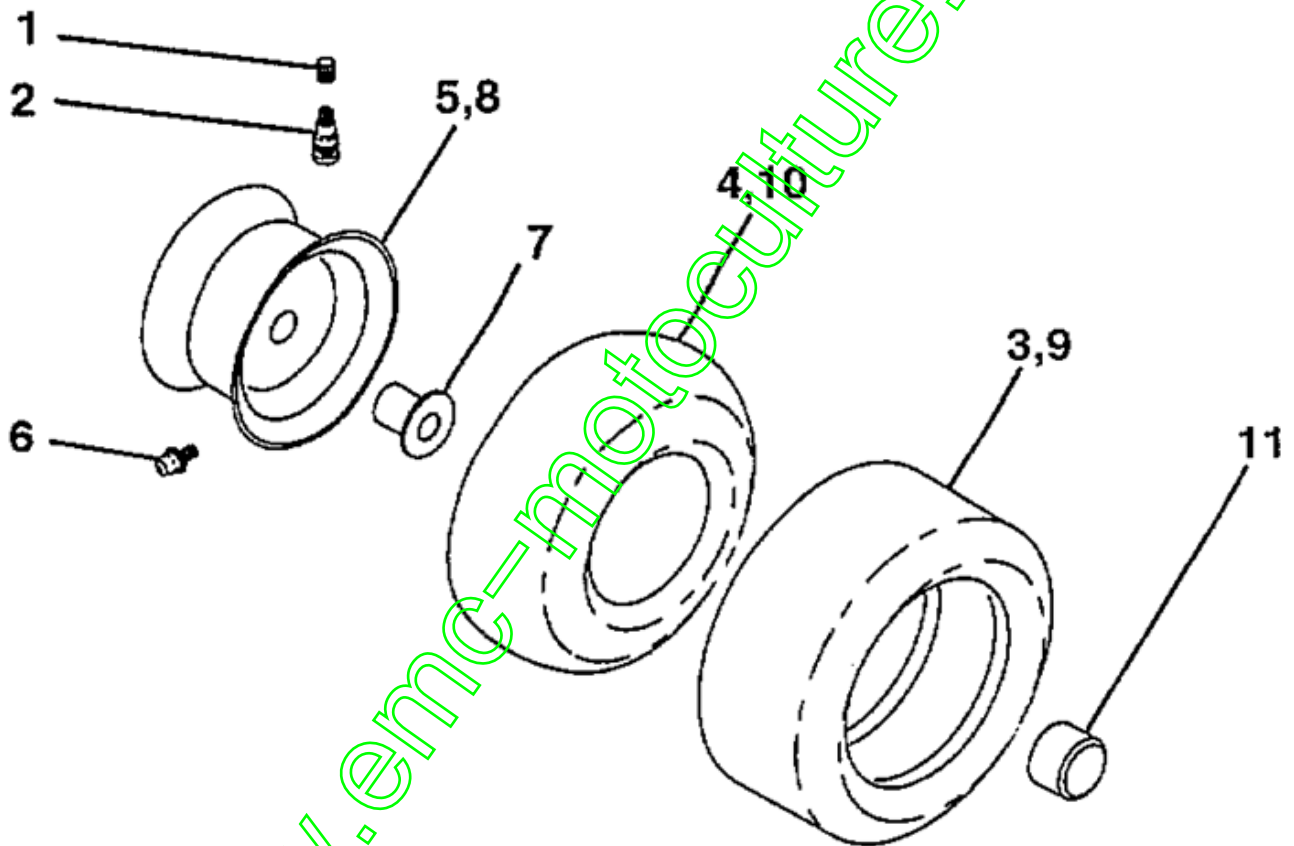
Ref #	Part #	Description	Context Note	Foot Note	MSRP	MSRP
1	121472X	SUB= 150546				
2	137094	SUB= 532137094				
3	157479	"SPINDLE ASM,LH"			20.38	
4	157478	"SPINDLE ASM,RH"			16.40	
5	6266H	WASHER .T			4.78	
6	121748X	WASHER			2.46	
7	19272016	WASHER			2.46	
8	12000029	RING			2.46	
10	154432	LINK.DRAG			49.79	
11	10040600	LOCKWASHER			2.46	
13	167118	BEARING.FRT.SPACER.AXLE			2.47	
15	73901000	"NUT-LOC,FLANGE LT"			2.91	
17	156546	SHAFT ASM STEERIN			21.21	
18	57079	THRUST WASHER			2.47	
19	160395	SUPPORT.SHAFT.STEER			6.26	
22	165857	SCREW.HX.WSH.HD			2.46	
23	165851	SHAFT.ASM.PITMAN			13.18	
25	154406	BRKT-STEERING			4.69	
27	136874	GEAR SECTOR			39.81	
29	17490612	SCREW				
32	137347	ROD.ASM.TIE.BALL				
36	155099	BUSHING.STEERING				
37	152927	"SCREW-TT,10-32 FL"			2.91	
38	126805X	"INSERT,STR WHEEL"				
39	19133808	WASHER T				
40	7810H	GRIPCO NUT			2.47	
41	100711L	ADAPTER LT				
42	145054	BOOT.STEER.PL				
43	121749X	WASHER			2.46	
44	153720	EXT SHAFT STEERIN				
46	121232X	CAP			2.46	
47	6855M	ZERK M			2.47	
51	73806500	NUT			2.46	
54	74780520	BOLT			2.91	
62	167902	KIT.STEER.ASM			71.75	
63	74780616	BOLT			2.91	
65	154780	SPACER AXLE			5.50	
66	154404	"BEARING-ARM,PITMA"			2.46	
67	74781044	BOLT			2.91	
68	154429	BRACE AXLE			8.33	
74	109850X	JOINT.RH			9.23	
75	109851X	JOINT.LH			9.22	



Ref #	Part #	Description	Context Note	Foot Note	MSRP	MSRP
76	137156	SUB= 137347				
77	73700600	NUT			2.91	
78	73360600	NUT			2.91	
79	19132012	WASHER			2.47	
80	74950612	BOLT.HX.NYLON3/8-16X3/			2.91	

[www.emc-motoculture.com](http://www.emc-motoculture.com)

## WHEELS & TIRES



**NOTE:** All component dimensions given in U.S. inches  
1 inch = 25.4 mm

Ref #	Part #	Description	Context Note	Foot Note	MSRP	MSRP
1	59192	VALVE CAP				2.91
2	65139	VALVE STEM LT				5.37
3	106222X	SUB= 122073X				
4	59904	TUBE.5.3/4.5/6				17.10
5	106732X427	"RIM ASM 6"" FRT"				
6	278H	FITTING LT				2.47
7	9040H	"FLANGE, BEARING"				3.95
8	106108X427	"RIM AS 8"" REAR"				
9	124635X	SUB= 126957X				
10	7152J	TUBE.18X9.5-8				30.00
11	104757X	HUB CAP				
	144334	SEALANT.TIRE 10 OZ. TUBE				16.41

www.emc-motoculture.com