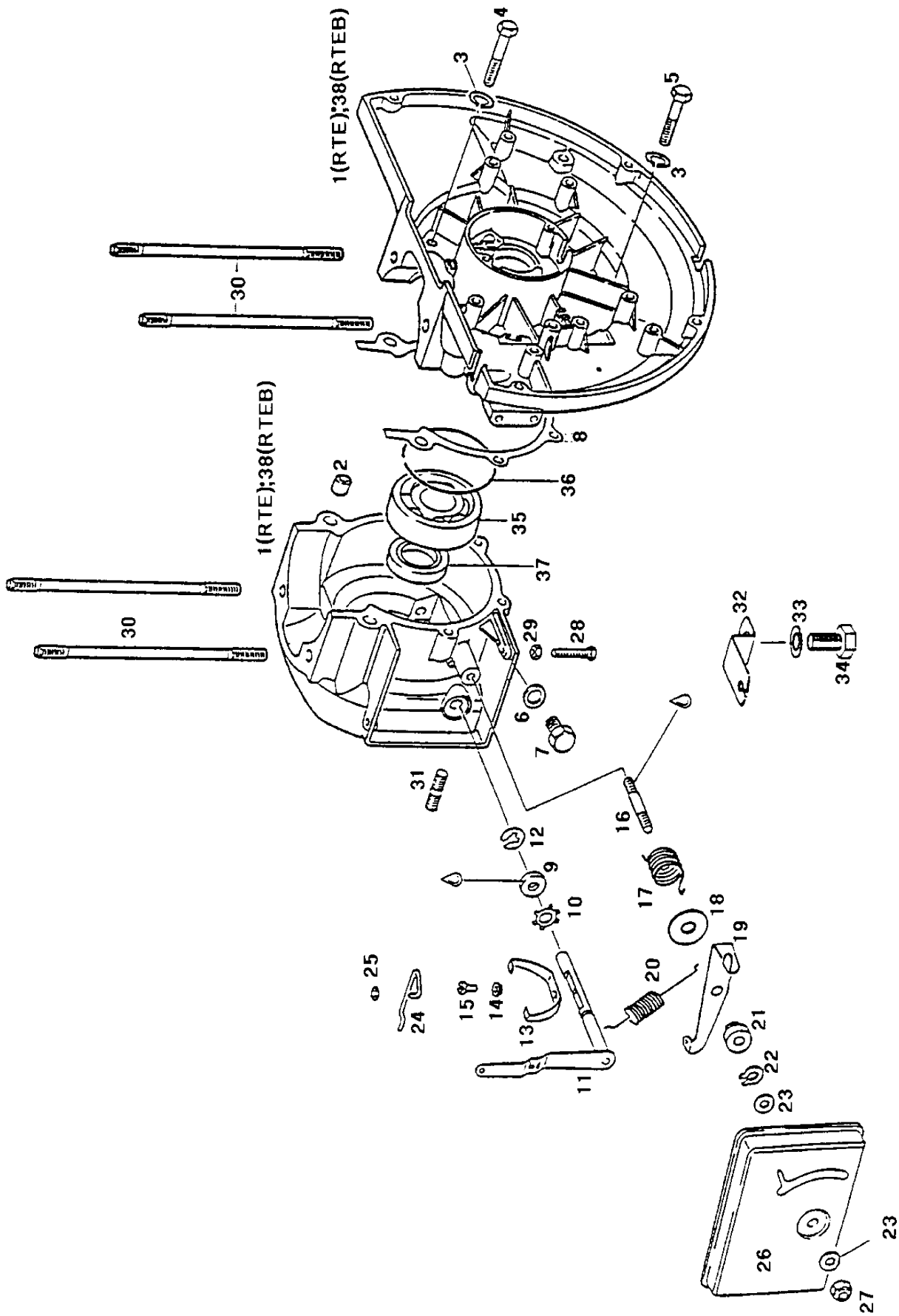


ROTAX

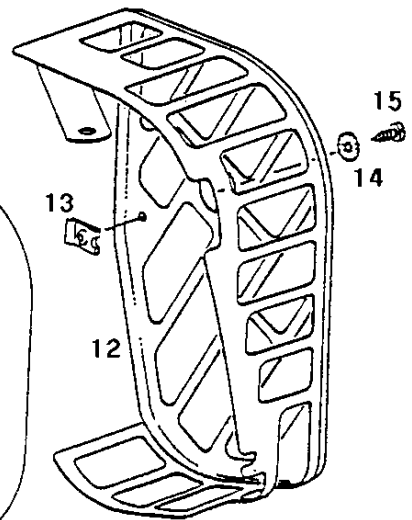
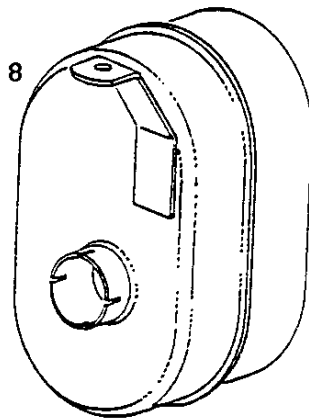
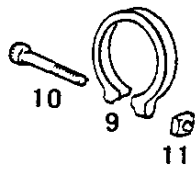
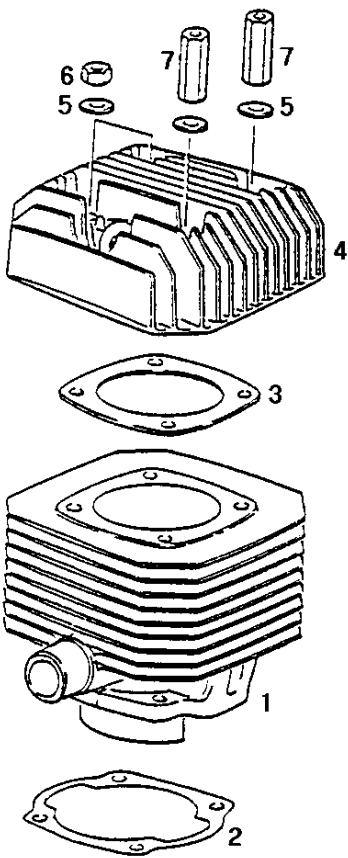
232

RTEB



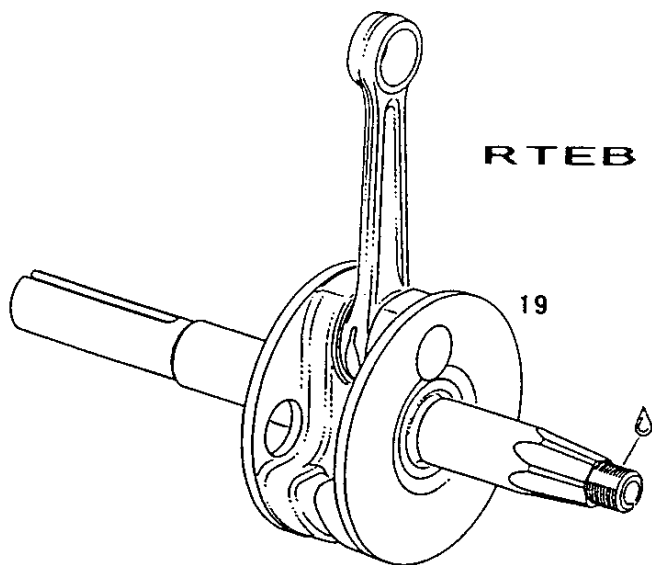
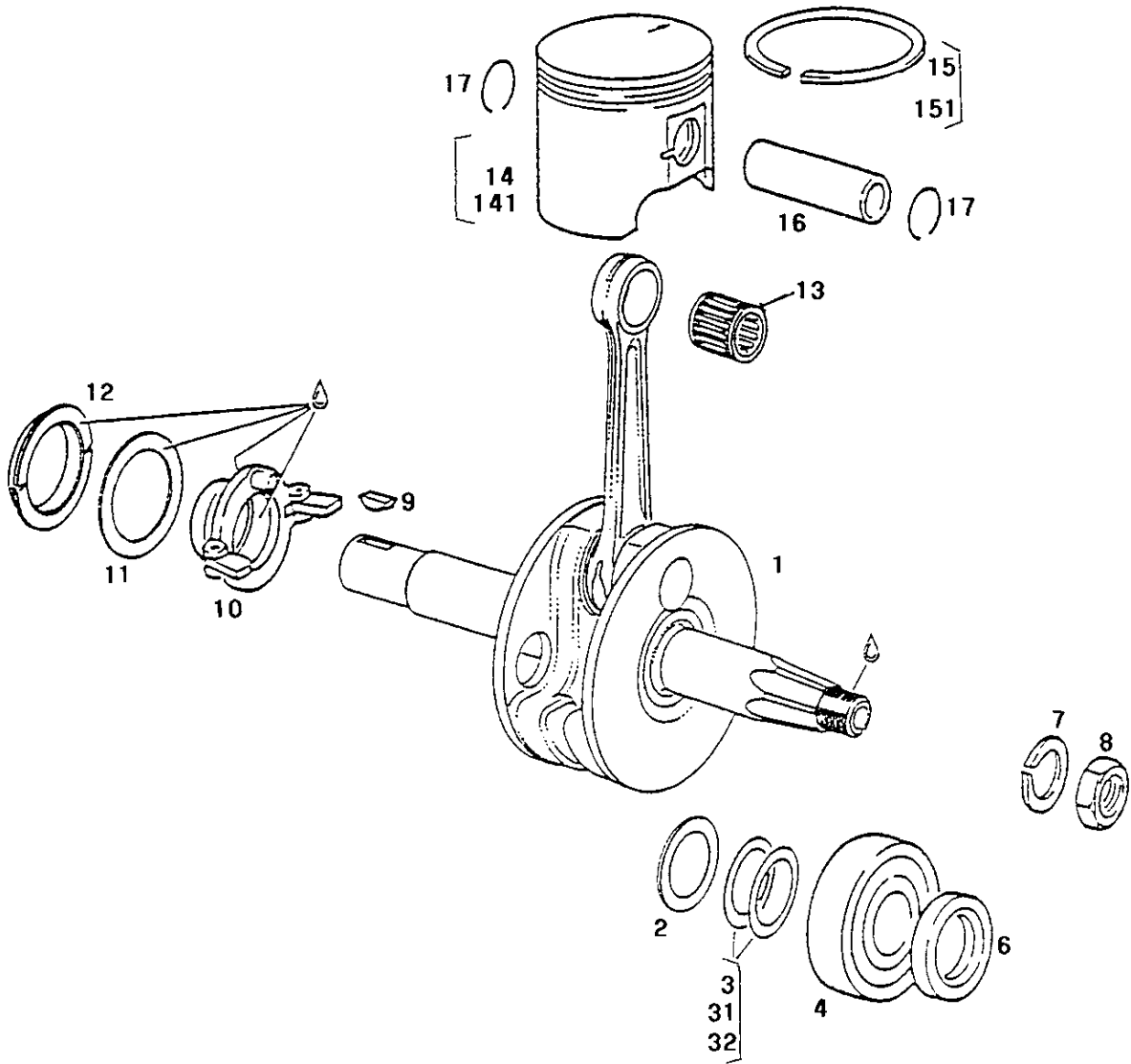
147.01

Rep	Réf ETESIA	F	D	E
1	9600	ENS. CARTER MOTEUR	MOTORGEHAUSE	ENGINE CASING
2	9601	DOUILLE 9,8X10	HULSE 9,8X10	SPACER 9,8X10
3	9602	RONDELLE RESSORT A6	FEDERSCHEIBE	SPRING WASHER
4	9603	VIS 6 PANS M6X40	SCHRAUBE M6X40	BOLT M6X40
5	9604	VIS 6 PANS M6X35	SCHRAUBE M6X35	BOLT M6X35
6	9736	RDLE JOINT A8X13	SCHEIBE	WASHER A8X13
7	9737	VIS 6 PANS M8X9	SCHRAUBE M8X9	BOLT M8X9
8	9605	JOINT DE CARTER	GEHAUSEDICHTUNG	CASING GASKET
9	9608	JOINT D'ETANCHEITE	DICHTUNG	GASKET
10	9609	ANNEAU TRUARC 15	RING	RING
11	9611	ENS. AXE REGULATEUR	REGL.ACHSE CPLT	REG.AXLE CPLT
12	9607	CIRCLIPS 7	SEEGERING	CIRCLIP
13	9613	LEVIER DE PRESSION	DRUCKHEBEL	PRESSURE LEVER
14	9612	DOUILLE	MULSE	SOCKET
15	9738	VIS M 4 X 10	SCHRAUBE M4X10	BOLT M4X10
16	9739	GOUJON M6X25/12	STIFTSCHR. M6X25/12	STUD M6X25/12
17	9614	RESSORT DE TENSION	SPANNFEDER	TENSION SPRING
18	9615	RONDELLE 6,2/23/2	SCHEIBE	WASHER
19	9616	LEVIER DE REGLAGE	EINSTELLHEBEL	SETTING LEVER
20	9617	RES.REGL.2900 TOURS	REG. FEDER 2900	REG. SPRING 2900
21	9618	DOUILLE ECARTEMENT	HULSE	SLEEVE
22	9619	CIRCLIPS 6	SEEGERRING	CIRCLIP
23	2620			
24	9622	TIGE REGULATEUR	REG. GESTANGE	REG.ROD
25	9623	RONDELLE 3,2	SCHEIBE	WASHER
26	9621	COUVERCLE REGULATEU	REGLER DECKEL	REGUL. COVER
27	71073	ECROU AUTOFR.HM6	STOPMUTTER HM6	SELF LOCKING NUT
28	4788	VIS 6 PANS M5X25	SCHRAUBE M5X25	BOLT M5X25
29	1502	ECROU H.M5 DIN934	SECHSKANTMUTTER M5	DIN 934 M5 SCREW
30	9606	GOUJON FIL.M8X158,5	STIFTSCHR.M8X158,5	PIN M8X158,5
31	4710	GOUJON FILETE M8X20	STIFTSCHRAUBE	DOUBLE END STUD
32	9624	ARRET DE GAINÉ	SCHUTZHULLE HALTER	SLEEVING STOP
33	2244	RDLE GROWER A10	FEDERSCHEIBE A10	WASHER A10
34	9740	VIS 6 PANS M10X20	SCHRAUBE M10X20	BOLT M10X20
35	9635	ROULEMT BILLES	KUGELLAGER	BALL BEARING
36	9636	ANNEAU FIL	KABEL RING	CABLE RING
37	9637	JOINT ET. AS25X40X7	DICHTUNG	SEAL
38	9765			



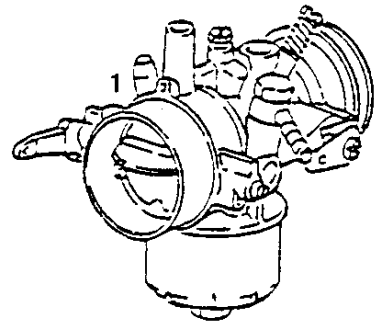
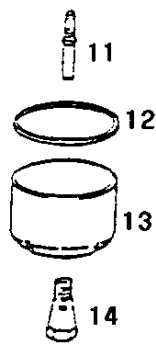
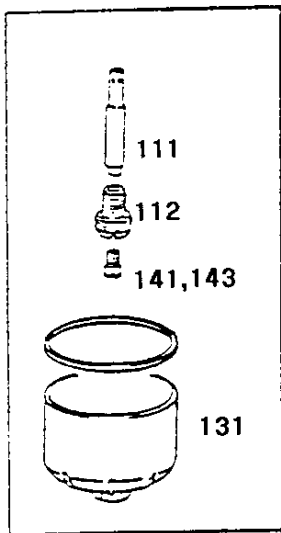
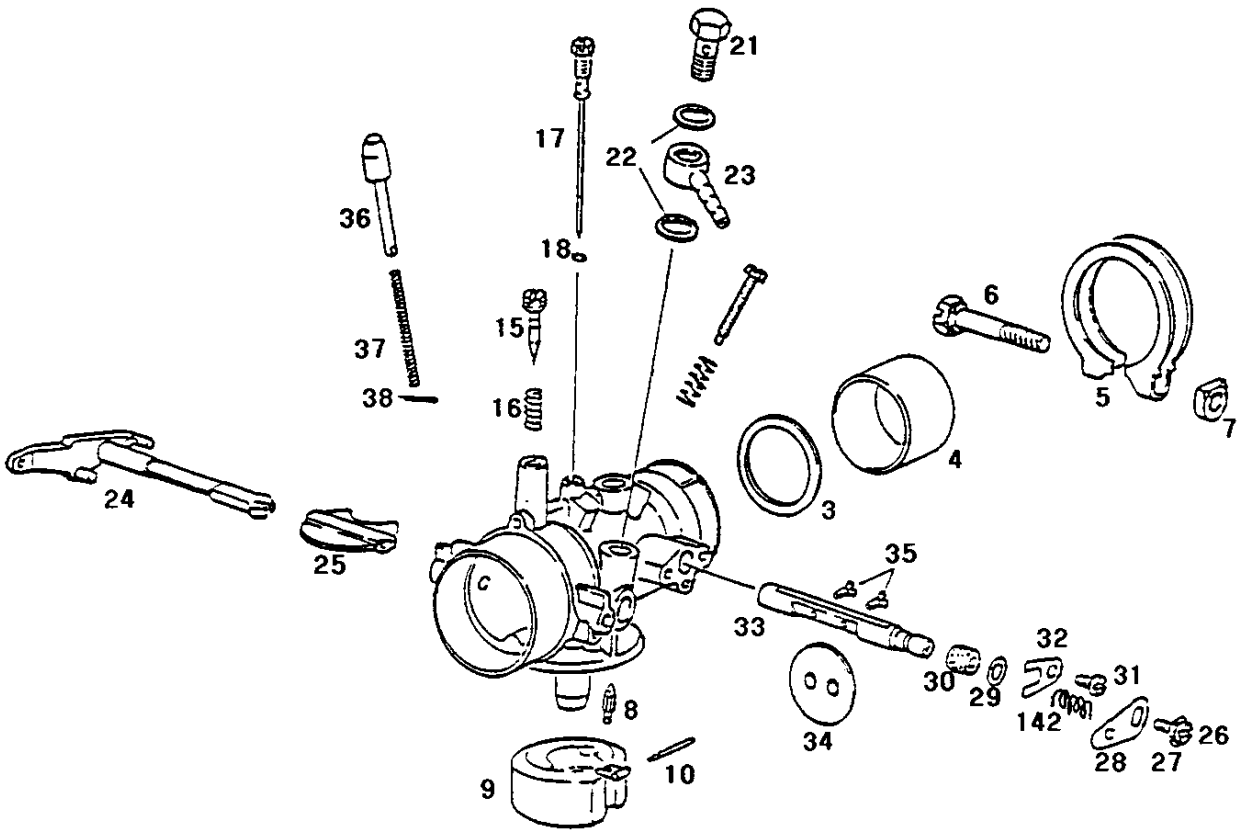
148.01

Rep	Réf ETESIA	F	D	E
1	9655	CYLINDRE	MOTOR ZYLINDER	WORKING CYLINDER
2	9656	JOINT DE CYLINDRE	ZYLINDER DICHTUNG	CYLINDER GASKET
3	9657	JOINT DE CULASSE	Z.KOPF DICHTUNG	CYL. HEAD GASKET
4	9658	CULASSE	ZYLINDERKOPF	CYLINDER HEAD
5	7335	RDLE PL.A 8,4DIN12	SCHEIBE A 8,4	WASHER
6	2020	ECROU H.M8 DIN934	MUTTER HM8 DIN 934-	NUT HM8
7	9659	ECROU LONG M8X37	MUTTER M8X37	NUT M8X37
8	9734	POT ECHAPPEMENT	AUSPUF	MUFFLER
9	9661	COLLIER COMPLET	RING CPLT	RING CPLT
10	9662	VIS CYLINDRE.M7X40	SCHRAUBE M 7X40	BOLT M 7X40
11	9663	ECROU 4 PANS M7	MUTTER M7	NUT M7
12	9735	PROTECTEUR	SCHUTZ	PROTECTOR
13	21436	ECROU NUL 530	CLIPSMUTTER	CLIPS NUT
14	2233	RONDELLE M 6 FZA ST	FAESCHERSCHEIBE 6,4	WASHER
15	21437	VIS TOLE BZ 4,2X13	SCHRAUBE B4,2X13	SCREW
16	9651	JEU DE JOINTS	DICHTUNGSATZ	SEALS SET



150.01

Rep	Réf ETESIA	F	D	E
1	9758	ENS. EMBIELLAGE	KURBEWELLE ELEMENTE	CRANKSHAFT ASSEMB.
2	9631	RDLE EPAIS.1,0MM	SCHEIBE 1,0 MM	WASHER 1,0MM
3	9632	RDLE EPAIS. 0,2MM	SCHEIBE 0,2 MM	WASHER 0,2MM
4	9635	ROULEMT BILLES	KUGELLAGER	BALL BEARING
6	9637	JOINT ET. AS25X40X7	DICHTUNG	SEAL
7	9638	RDLE RESSORT A16	FEDERSCHEIBE	SPRING WASHER
8	9639	ECROU 6 PANSMI6X1,5	MUTTER M16X1,5	NUT M16X1,5
9	7337	CLAVET.15,72X4X6,5	KEIL	KEY
10	9641	CUVETTE REGULATEUR	REGLERTELLER	REGULATOR CUP
11	9642	DISQUE	TELLER	DISK
12	9643	RDLE FROTTEMENT	REIBSCHEIBE	FRICTION WASHER
13	9650	CAGE AIGUI.18X22X22	NADELLAGER	NEEDLE BEARING
14	9644	PISTON 69,5 STAN	KOLBE STD	PISTON STD
15	9646	SEGMT 69,5 "PIECE"	KOLBENRING STD	PISTON SEGMT STD
16	9648	AXE PIST.18X11X58,5	KOLBENACHSE	PISTON AXLE
17	9649	JONC D'AXE 18	RING 18	RING 18
19	9769	VILEBREQUIN CPLT	KURBELWELLE KPLT	CRANKSHAFT CPLTE
31	9633	RDLE EPAIS. 0,3MM	SCHEIBE 0,3 MM	WASHER 0,3MM
32	9634	RDLE EPAIS.0,5MM	SCHEIBE 0,5MM	WASHER 0,5MM
141	9645	PISTON 70,0 S/D1	KOLBE D1	PISTON D1
151	9647	SEGMT 70,0 "PIECE"	KOLBENRING D1	PISTON SEGMENT D1
152	9651	JEU DE JOINTS	DICHTUNGSATZ	SEALS SET



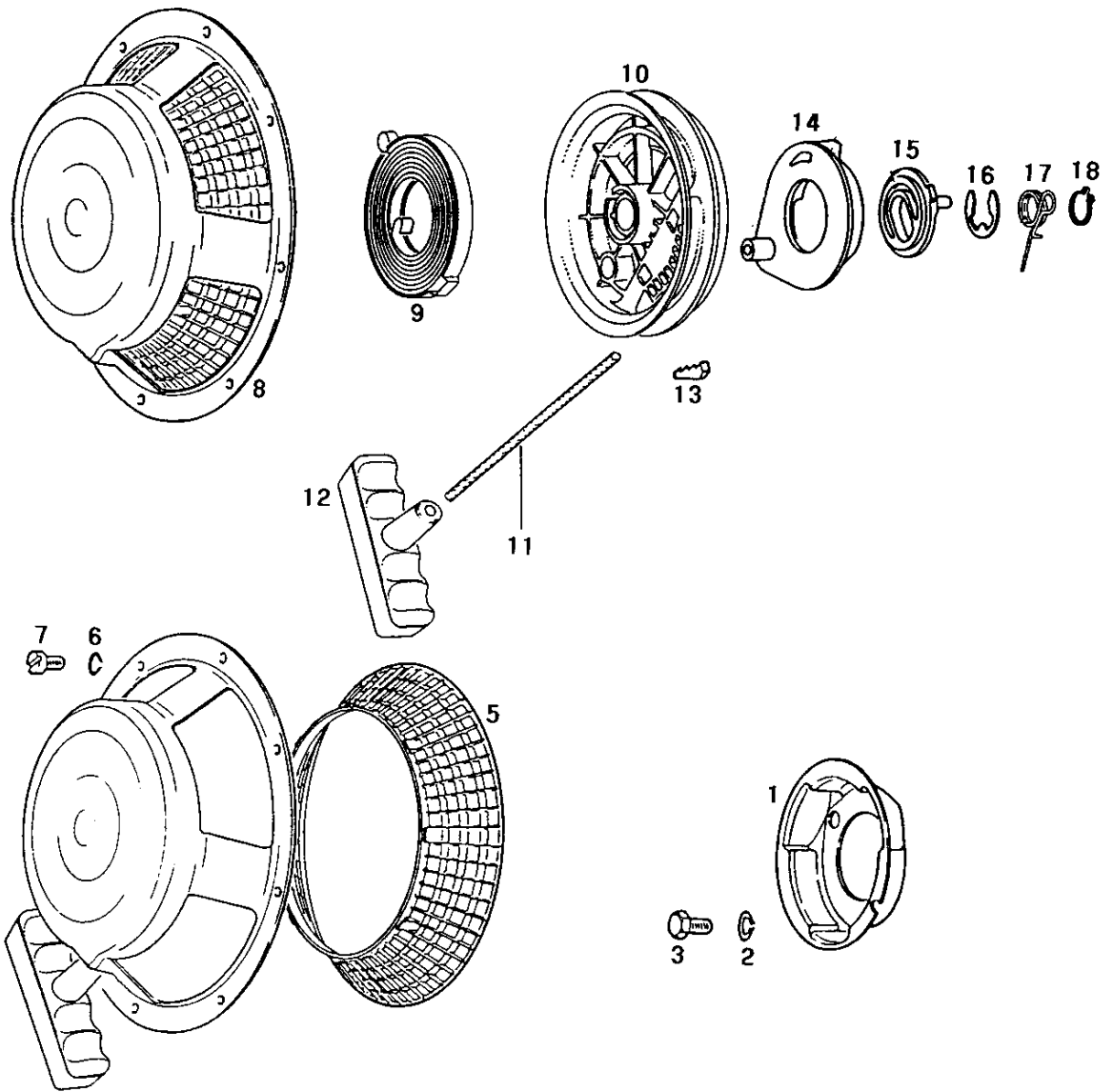
152.01

Rep	Réf ETESIA	F	D	E
1	9690	CARBURATEUR COMPLET	VERGASER CPLT	CARBURETOR CPLT
3	9691	RONDELLE ISOLANTE	SCHEIBE	WASHER
4	9692	BAGUE ISOLANTE	ISOLIERRING	INSULATING RING
5	9693	ANNEAU DE SERRAGE	KLEMME	CLAMP
6	9745	VIS M6X35	SCHRAUBE M6X35	BOLT M6X35
7	9746	ECROU M6	MUTTER	NUT M6
8	9694	POINTEAU VITON	DUSENNADEL	VALVE NEEDLE
9	9747	FLOTTEUR	SCHWIMMER	CARBURETTOR FLOAT
10	9748	GOUPILLE	SPLINT	PIN
11	9695	TUBE DE MELANGE 7	MISCHUNGSROHR	MIX TUBE
12	9749	RDLE JOINT	WASHER	WASHER
13	9750	CUVE CARBURATEUR	WASHER	CARBURATOR VAT
14	9696	GICLEUR PRINC.115	HAUPTDUSE 115	MAIN NOZZLE 115
15	9697	VIE REGLAGE D' AIR	LUFTEINSTELLSCHRAUB	AIR SET SCREW
16	9698	RESSORT	FEDER	SPRING
17	9699	GICLEUR RALENTI 80	LEERLAUFDUSE	SLOW SPEED JET
18	9700	JOINT	DICHTUNG	SEAL
21	9751	VIS 6 PANS	SCHRAUBE	BOLT
22	9752	JOINT 8,1/12/1	DICHTUNG	GASKET
23	9753	RACCORD TUYAU PIVOT	VERBINDUNGSTÜCK	CONNEXION
24	9703	LEVIER+AXE STARTER	STARTERACHSE	STARTER AXLE
25	9704	PAPILLON DU STARTER	STARTERKLAPPE	STARTER VALVE
26	9705	VIS TTE 1/2RON.M3X5	SCHRAUBE M3X5	SCREW M3X5
27	9706	RDLE RESSORT A3	FEDER SCHEIBE	SPRING WASHER
28	9707	LEVIER REGULATEUR	REGLERHEBEL	REGULATOR LEVER
29	9708	RDLE 6,3/9,8/0,5	SCHEIBE	WASHER
30	9709	GAINÉ ETANCHEITE	HULSE	SHEATH
31	9754	VIS M 3,5 X 5	SCHRAUBE M3,5 X 5	BOLT M3,5 X 5
32	9755	PLAQUE SUPPORT	PLATTE	PLATTE
33	9710	AXE DU REGULATEUR	REGLERACHSE	REGULATOR AXLE
34	9711	PAPILLON REGULATEUR	REGLERKLAPPE	REGULATING FLAP
35	9712	VIS	SCHRAUBE	SCREW
36	9713	TITILLATEUR	PUMPE	PUMP
37	9714	RESSORT TITILLATEUR	PUMPEFEDER	PUMP SPRING
38	9715	GOUPILLE 0,8X5	SPLINT 0,8X5	PIN 0,8X5
111	9760	TUBE MELANGE	MIXING HÜLSE	MIXING TUBE
112	9764	PORTE GICLEUR	DÜSE HALTER	SPRAY NOZZLE HOLDER
131	9761	CUVE FLOTTEUR	SCHWIMMER GEHÄUSE	FLOATTER CELL
141	4852	GICLEUR PRINCI.100	HAUPT DÜSE 100	MAIN SPRAY NOZ.100
142	9717	RESSORT PRESSION	DRUCKFEDER	PRESSION SPRING
143	4825	GICLEUR PRINCI.105	DÜSE 105	JET 105

155.01

Rep	Réf ETESIA	F	D	E
1	9665	BOBINE AVEC CABLES	SPULE + KABEL	COIL+CABLE
2	9666	CABLE ALLUM. 440MM	ZUNDUNGKABEL	SPARK CABLE
3	9667	VIS TAPTITE M5X16	SCHRAUBE	SCREW
4	9668	ANNEAU 7X3	RING	RING
5	9669	PASSE CABLE	KABELDURCHFUHRUNG	CABLE BUSHING
7	9743	PROTECTEUR CABLE	KABELSCHUTZ	CABLE PROTECTION
8	9670	DOUILLE	HULSE	SLEEVE
9	9671	CAPUCHON DE BOUGIE	ZUNDKER.STOERSCHUTZ	SPARK PLUG CAP
10	3041	BOUGIE	ZÜNDKERZE	SPARK PLUG
12	9676	VOLANT	SCHWUNG RAD	FLYWHEEL
13	9677	CARTER VENTILATION	LUFTDUNGGEHAUSE	VENTILATION CASING
14	71049	RDLE GROWER A6	FEDERRING A6 DIN 12	SPRING WASHER,DIN 1
15	9741	VIS M6 X 12	SCHRAUBE M6X12	BOLT M6X12
17	9742	RDLE FREIN A 8	SCHEIBE	WASHER
18	9756	VIS 6 PANS M8X16	SCHRAUBE M8X16	BOLT M8X16
19	7334	VIS H M 8X20 DIN933	SECHSKANTSCHRAUBE H	HEXAGON SCREW,DIN 9
20	40387	JEU SUPP.RESERVOIR	TANKHALTERUNG	TANK SUPPORT SET
21	7335	RDLE PL.A 8,4DIN12	SCHEIBE A 8,4	WASHER
22	9680	VIS M8X20	SCHRAUBE M8X20	BOLT M8X20
23	2020	ECROU H.M8 DIN934	MUTTER HM8 DIN 934-	NUT HM8
24	9681	RESERVOIR	TANK	TANK
25	9682	BOUCHON RESERVOIR	TANKDECKEL	TANK CAP
26	9684	ROBINET	HAHN	VALVE
27	9664	JOINT TORIQUE	DICHTUNG	SEAL
28	9686	CREPINE	SCHUTZFILTER	STRAINER
29	9685	COLLIER DE SERRAGE	RING	RING
30	9688	DURITE 210MM	SCHLAUCH 210 MM	PIPE 210MM
31	9687	PINCE DURITE	KLEMMER	SQUEERING RING
32	9744	BOUT. COURT CIRCUIT	KURZSCHLUSS	SHORT CIRCUIT
33	9770	ALTERNATEUR	WECHSELSTROMGENERAT	ALTERNATOR
34	9771	VOLANT MAGNETIQUE	MAGNET. SCHWUNGRAD	FLYWHEEL MAGNETO
35	9602	RONDELLE RESSORT A6	FEDERSCHEIBE	SPRING WASHER
36	20693	VIS H M 6X25 DIN933	SECHSKANTSCH.HM6X25	HEX.SCREW HM6X25
37	9767			
38	9768			
39	9669	PASSE CABLE	KABELDURCHFUHRUNG	CABLE BUSHING
40	2009	VIS M5 X 16	SCHRAUBE M5 X 16	BOLT M5X16
41	9766			
42	9773	BOBINE ELECTRONIQUE	ZÜNDSPULE	IGNITION COIL
43	20507	VIS HM 6 X 20	SECHSKANT.HM 6X20	BOLT HM 6X20
44	1557	ECROU H.M6 DIN934	MUTTER HM 6 DIN 934	NUT HM6
45	9774			
46	9775	CABLE DE MASSE	MASSE KABEL	GROUND CABLE
47	71084	VIS HM 6X16 DIN933	SCHRAUBE HM6X16	BOLT HM6X16 DIN 933
48	9772	VENTILATEUR	VENTILATOR	COOLING FAN
49	40139	PONT REDRESSEUR	GLEICHRICHTER	RECTIFIER
50	71183	VIS TRCC M5X20	SCHRAUBE M5X20	SCREW M5X20
51	1607	ECR.AUTOFR.HM5 DIN	STOPMUTTER HM5	NUT

61	71118	VIS TRCC 8X35	SCHRAUBE M8X35	SCREW 8X35
62	40044	TRAVERSE CARCASSE	QUERTRAGER MAHWERK	DECK CROSS BEAM
65	40255	CHARNIERE CLAPET	SCHARNIER	HINGE
66	9071	VIS J M 8X20 DIN603	SCHRAUBE M8X20	SCREW M8X20
68	2021	ECR.AUTOFR.HM8 DIN	STOPMUTTER HM 8 DIN	NUT HM8
69	5347	VIS J M 8X25 DIN603	SCHRAUBE M8X25	SCREW 8X25
70	40182	SUPPORT	HALTERUNG	BRACKET



161.01

Rep	Réf ETESIA	F	D	E
1	9721	COUPELLE	ANLASSERSCHEIBE	STARTER PULLEY
2	9742	RDLE FREIN A 8	SCHEIBE	WASHER
3	9756	VIS 6 PANS M8X16	SCHRAUBE M8X16	BOLT M8X16
5	9720	GRILLE	GITTER	GRID
6	71049	RDLE GROWER A6	FEDERRING A6 DIN 12	SPRING WASHER,DIN 1
7	9741	VIS M6 X 12	SCHRAUBE M6X12	BOLT M6X12
8	9722	CARTER LANCEUR	ANLASSERGEHAUSE	STARTER CASING
9	9723	ENS. RESSORT RAPPEL	FEDER	SPRING
10	9724	POULIE DE CORDE	SEILSCHEIBE	ROPE PULLEY
11	4792	CORDE 5MM LONG.1,75	SEIL 5MM X 1,75 M.	ROPE 5MM X 1,75 M.
12	9727	POIGNEE DE LANCEUR	ANLASSERGRIF	STARTER HANDLE
13	9725	CLAVETTE DE RETENUE	KEIL	KEY
14	9728	ENTRAINEUR	MITNEHMER	DRIVER
15	9729	FREIN	BREMSE	BRAKE
16	9730	CIRCLIPS	SEEGERING	CIRCLIP
17	9731	RESSORT DE FREIN	BREMSFEDER	BRAKE SPRING
18	9732	CIRCLIPS	SEEGERING	CIRCLIP