



Pièces détachées

Tondeuse PRO
Aspirateur collecteur

SG15
SG501
SG502



Yvon Béal 21, Av. de l'agriculture - B.P. 16
Z.I. du Bézoué 63014 Clermont-Ferrand Cedex 2
Tél: 04 73 91 92 51 Téléphone: 04 73 90 23 11
www.yvonbeal.fr Email: info@yvonbeal.fr
R.C.B. 304 973 886 - SIREN 304 973 886

1500-098-2150-0 - MAI 88

03-000133-050128

CONTENTS

ENGINE SG15 (E262G)

	Page
Fig. 1 CYLINDER HEAD	1
Fig. 2 CYLINDER BLOCK	3
Fig. 3 TIMING GEAR CASE (1)	5
Fig. 4 TIMING GEAR CASE (2)	7
Fig. 5 OIL PAN	9
Fig. 6 OIL PUMP	11
Fig. 7 PISTON	13
Fig. 8 VALVE MECHANISM	15
Fig. 9 STRAINER and CARTRIDGE (OIL FILTER)	17
Fig. 10 OIL PIPE	19
Fig. 11 WATER PUMP	21
Fig. 12 MANIFOLD (INLET) · (EXHAUST)	23
Fig. 13 FUEL SYSTEM	25
Fig. 14 HANGER	27
Fig. 15 INJECTION PUMP and OTHER PARTS	29
Fig. 16 ENGINE PARTS	31
Fig. 17 INJECTION PUMP ASSY	33
Fig. 18 GENERATOR ASSY	35

CONTENTS

CHASSIS SG15 (1608)

Page

Fig. 19	BRACKET (ENGINE) SYSTEM	37
Fig. 20	RADIATOR SYSTEM	39
Fig. 21	MUFFLER SYSTEM	41
Fig. 22	AIR CLEANER SYSTEM	43
Fig. 23	FILTER (FUEL) and HOSE (FUEL) SYSTEM	45
Fig. 24	BATTERY SYSTEM	47
Fig. 25	LEVER (ACCEL) SYSTEM	49
Fig. 26	JOINT (UNIVERSAL) and FAN (HST) SYSTEM	51
Fig. 27	CASE (TRANSMISSION) SYSTEM	53
Fig. 28	METAL (BRAKE) and PLATE (FILLER) SYSTEM	55
Fig. 29	GEAR (INPUT) SYSTEM	57
Fig. 30	HST ASSY	59
Fig. 31	HST SYSTEM (1)	61
Fig. 32	HST SYSTEM (2)	63
Fig. 33	HST SYSTEM (3)	65
Fig. 34	HST SYSTEM (4)	67
Fig. 35	HST SYSTEM (5)	69
Fig. 36	CASE (DIFF) and SHAFT (WHEEL) SYSTEM	71
Fig. 37	BRAKE SYSTEM	73
Fig. 38	ARM (BRAKE) SYSTEM	75
Fig. 39	TIRE (REAR) SYSTEM	77
Fig. 40	LEVER (P.T.O.) and BRACKET (P.T.O./F) SYSTEM	79
Fig. 41	SHAFT (JOINT/P.T.O.) and METAL (REAR/P.T.O.) SYSTEM	81
Fig. 42	LEVER (P.T.O.) SYSTEM	83
Fig. 43	CASE (P.T.O.) and SHAFT (INPUT/P.T.O.) SYSTEM	85

	Page
Fig. 44 CHASSIS SYSTEM	87
Fig. 45 AXLE (FRONT) SYSTEM	89
Fig. 46 ARM (KNUCKLE) and ARM (PITMAN) SYSTEM	91
Fig. 47 POST (STEERING) and WHEEL (STEERING) SYSTEM	93
Fig. 48 CASE (STEERING) and SHAFT (STEERING) SYSTEM	95
Fig. 49 TIRE (FRONT) SYSTEM	97
Fig. 50 LINK and LIFT SYSTEM	99
Fig. 51 ARM (LIFT) and ARM (CONTROL) SYSTEM	101
Fig. 52 HOOD (A) and COVER (FRONT) SYSTEM	103
Fig. 53 COVER (LOWER) and HOOD (B) SYSTEM	105
Fig. 54 FENDER SYSTEM	107
Fig. 55 SEAT SYSTEM	109
Fig. 56 FUEL TANK and STEP SYSTEM	111
Fig. 57 PANEL (INSTRUMENT) SYSTEM	113
Fig. 58 ELECTRICAL SYSTEM	115
Fig. 59 MARK SYSTEM	117
SBC350 (8596)	
Fig. 60 FRAME (COLLECTOR) and COVER (JOINT) SYSTEM	119
Fig. 61 FRAME (BLOWER) and COVER (BELT) SYSTEM	121
Fig. 62 CASING and COVER (DISCHARGE) SYSTEM	123
Fig. 63 PIPE (COLLECTOR) and LEVER (COLLECTOR) SYSTEM	125
Fig. 64 COLLECTOR (SIDE) and FRAME (OPEN) SYSTEM	127
Fig. 65 LOCK and BAG (COLLECTOR) SYSTEM	129
Fig. 66 COVER (SHOOTER) and HOSE (SHOOTER) SYSTEM	131
Fig. 73 SENSOR (COLLECTOR) and MARK SYSTEM	133

SSM48 (8595)

Fig. 74	CASE (BEVEL) SYSTEM	135
Fig. 75	METAL and BLADE SYSTEM	137
Fig. 76	DECK (MOWER/48) and COVER (DISCHARGE) SYSTEM	139
Fig. 77	COVER (BELT) SYSTEM	141
Fig. 78	FORK (WHEEL) and WHEEL (GAUGE) SYSTEM	143
Fig. 79	MARK SYSTEM	145

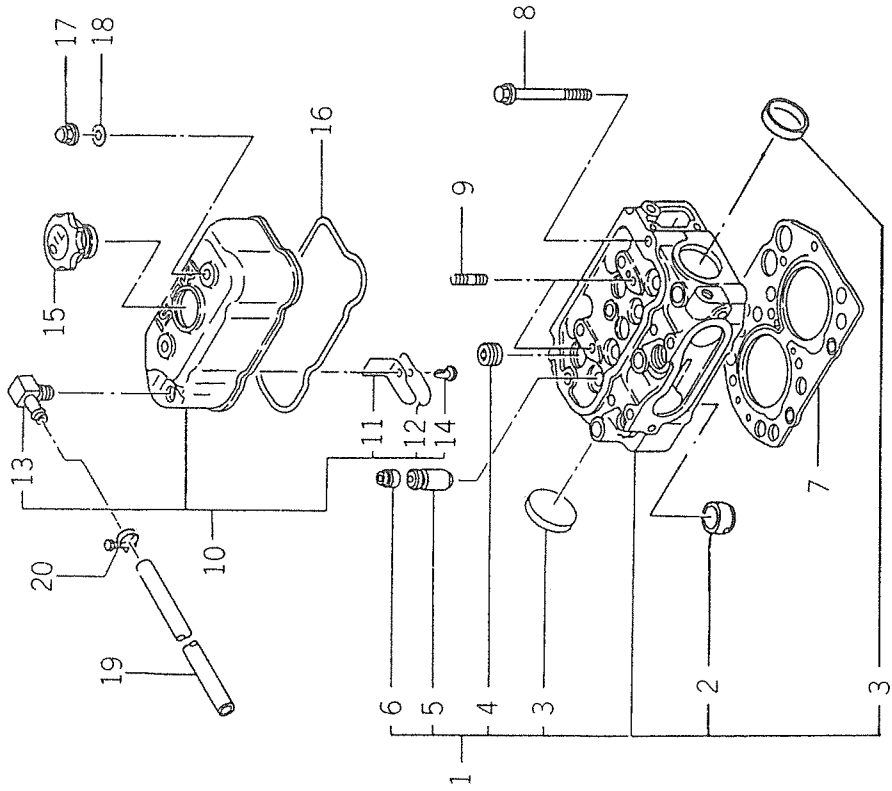


FIG # 1

P. 2

HHH HHH HHH
 444 444 HHH
 888 888 245
 CCC EEE 000
 EEE 245
 245 000
 000

KEY#	SIC PH C	PART CODE	DESCRIPTION	QTY	UNIT	ISSUE	FROM	UPTO	REMARKS
1		6211-110-018-10	HEAD(CYLINDER)	1		1			
2		6211-150-008-00	PLUG(HOT)	2		2			
3		6911-129-006-00	CAP SEALING	2		2			
4		6209-605-002-10	PLUG/I	3		2			
5		6211-721-001-00	GUIDE VALVE	4		2			
6		6212-569-002-00	SEAL OIL	4		2			
7		6211-141-011-00	GASKET(CYLINDERHEAD	1		1			
8		6209-000-003-00	BOLT/M10X1.25X82	10		10			
9		6909-830-212-00	STUD HEAD COVER	2		2			
10		6211-170-006-00	COVER, CYL HEAD ASSY	1		1			
11			BUFFLE	1		A			
12			BUFFLE	1		A			
13			ELBOW	1		A			
14			SCREW	1		A			
15		6211-751-001-10	CAP, OIL FILLER	1		000			
16		6211-173-004-00	SEAL, CYL COVER	1		000			
17		6209-490-002-00	NUT, CAP	2		000			
18		6909-572-008-00	PACKING	2		000			
19		6209-366-001-00	HOSE, VINYL	1		000			
20		1417-102-005-00	BAND, HOSE	1		000			

CYLINDER BLOCK

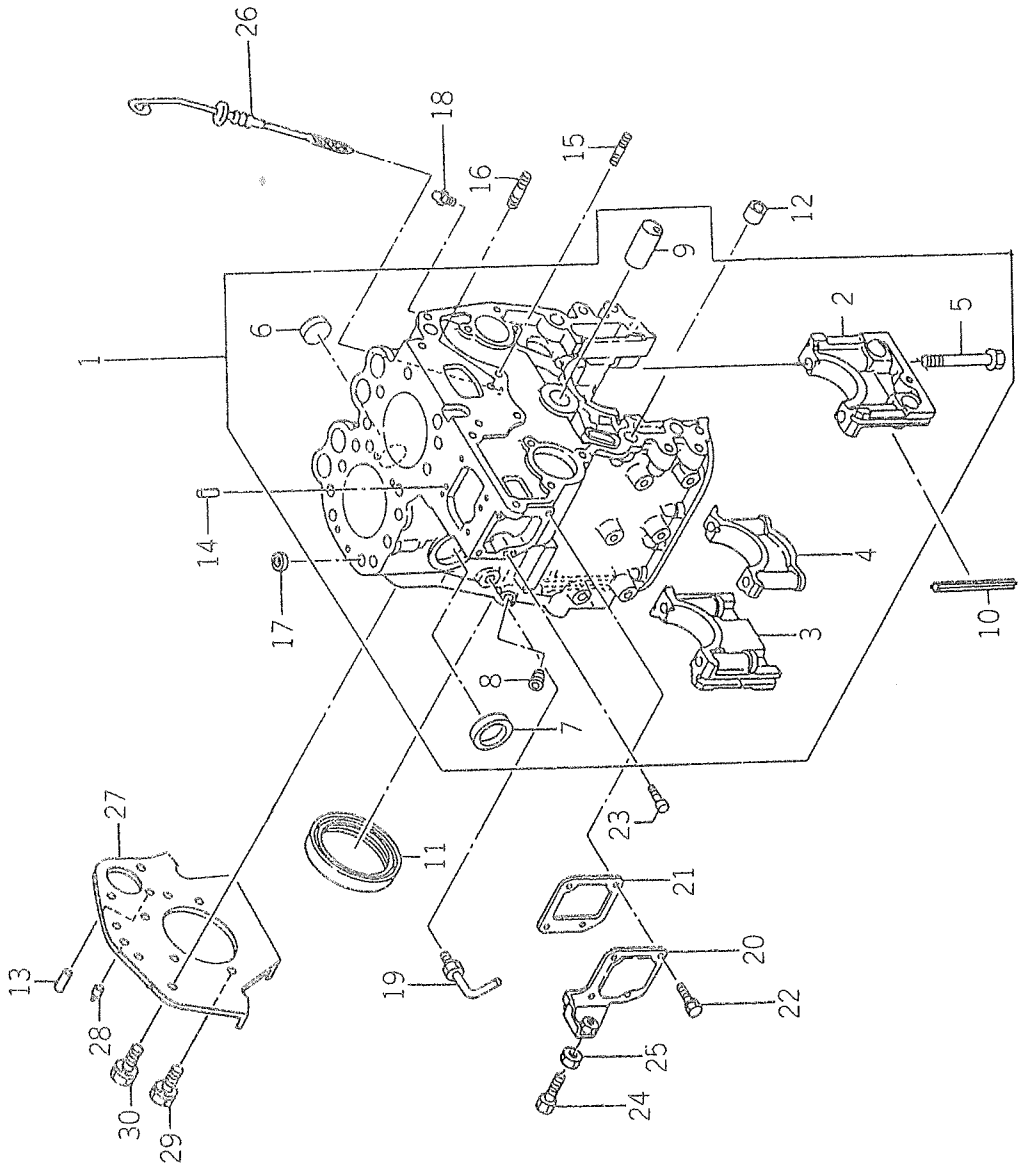


FIG # 2

P. 4

KEY#	S P C	C H C	PART CODE	DESCRIPTION	Q T Y	I T C	S T C	T F	FROM	UPTO	REMARKS
1			6211-210-021-00	BLOCK (CYLINDER) ASSY	1	1	1				
2			6211-251-001-10	CAP, BEARING/F	1	2	000 000 000				
3				CAP, BEARING/R	1	1	000 000 000				
4				CAP, BEARING/T	1	A	000 000 000				
5			6209-000-004-00	BOLT	6	2	000 000 000				
6			6209-610-001-00	CAP, SEALING	2	2	000 000 000				
7			6911-219-195-00	CAP, SEALING	3	2	000 000 000				
8			6509-605-019-10	PLUG	3	2	000 000 000				
9			6212-531-005-00	PIN, IDLE GEAR	3	2	000 000 000				
10			6211-258-002-00	SEAL, BEARING CAP/7	1	2	000 000 000				
11			6209-625-001-00	SEAL, OIL	1		000 000 000				
12			6209-749-001-00	PIN, TUBE	2		000 000 000				
13			6908-160-816-00	PIN	1	2	000 000 000				
14			6908-160-510-00	PIN	2		000 000 000				
15			6904-110-840-00	STUD/M8X40	1		000 000 000				
16			6904-110-818-00	STUD	1		000 000 000				
17			6894-453-344-00	DOWEL	1		000 000 000				
18			6909-902-299-00	NIPPLE	2		000 000 000				
19			6213-721-001-00	PIPE, WATER DRAIN	1		000 000 000				
20			6211-291-001-10	COVER, INJ PUMP	1		000 000 000				
21			6211-292-001-10	GASKET, COVER	1		000 000 000				
22			6901-910-612-00	BOLT, SEMS/M6X12	4		000 000 000				
23			6215-549-001-10	PIN, STARTING SPRING	1		000 000 000				
24			6209-788-001-00	BOLT, ADJUST	1		000 000 000				
25			6909-110-406-00	NUT	1		000 000 000				
26			6211-760-003-00	GAUGE, LEVEL	1		000 000 000				
27			6211-341-011-00	PLATE (REAR)	1		000 000 000				
28			6211-342-001-20	POINTER	1		000 000 000				
29			6901-911-020-00	BOLT, SEMS/M10X20	6		000 000 000				
30			6901-910-816-00	BOLT, SEMS/M8X16	2		000 000 000				

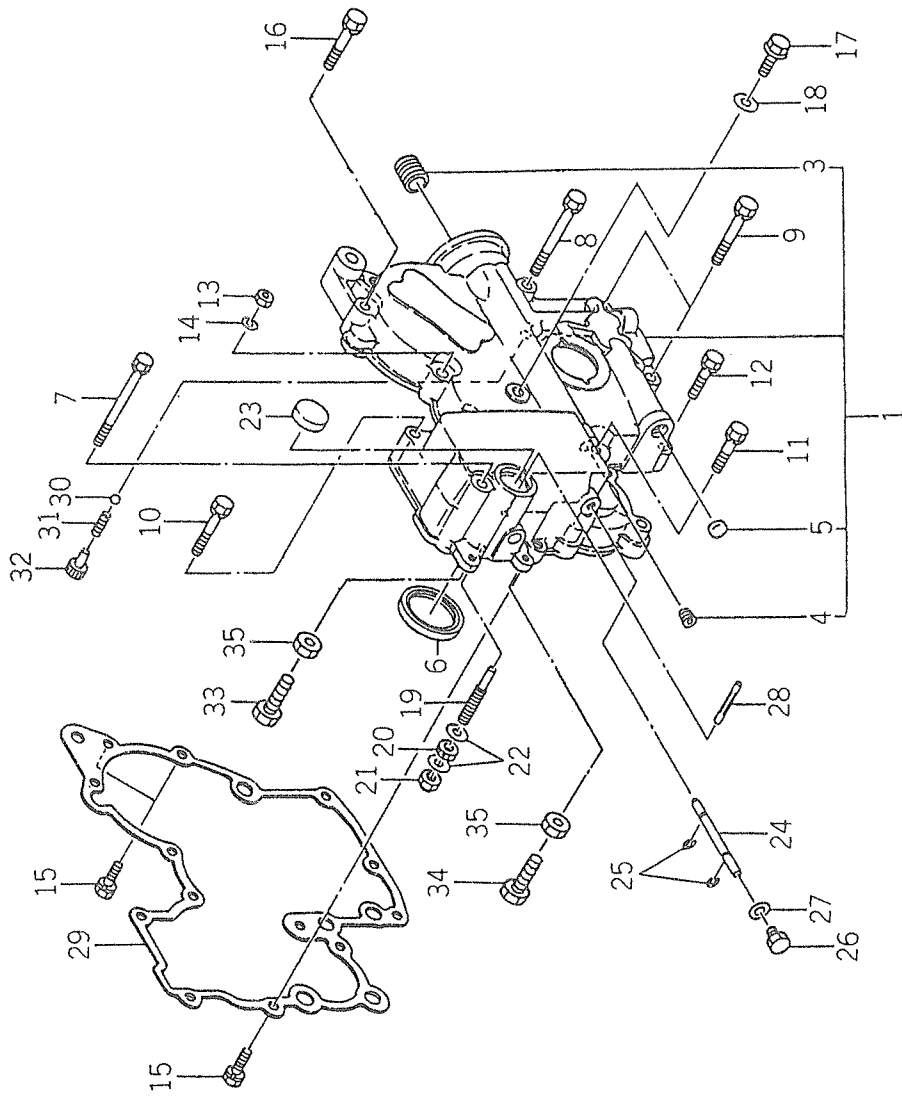


FIG #

3

P. 6

KEY#	S P C	C H C	PART CODE	DESCRIPTION	Q T Y	S T C	I T C	FROM	UPTO	REMARKS
1			6211-310-006-00	CASE, GEAR	1	1				
3			6213-319-001-00	CONNECTOR, OIL FILTER	1	2				
4			6509-605-019-10	PLUG	3	2				
5				CAP, CYLINDER/14	1	A				
6			6209-625-002-00	SEAL, OIL	1					
7			6209-030-005-00	BOLT/M8X85	1					
8			6209-030-006-00	BOLT/M8X75	1					
9			6509-000-084-00	BOLT/L=55	1					
10			6509-030-037-00	BOLT	2					
11			6901-910-840-00	BOLT	1					
12			6901-910-835-00	BOLT, SENS/M8X35	1					
13			6909-110-508-00	NUT/M8	1					
14			6909-150-508-00	WASHER	1					
15			6901-910-820-00	BOLT, SENS/M8X20	3					
16			6901-910-845-00	BOLT, SENS/M8X45	1					
17			6209-046-001-00	BOLT/M8X30	1					
18			6909-920-843-00	PACKING	1					
19			6215-546-001-00	STOPPER, FULL-LOAD	1					
20			6209-409-001-00	NUT/M8	1					
21			V341-120-008-00	NUT, CAP/M 8	1					
22			6909-920-843-00	PACKING	2					
23			3625-540-004-00	CAP, BLANK/30	1					
24			6215-542-001-00	PIN, ARM	1					
25			V710-140-004-00	RING, SNAP/ 4 E	2					
26			6909-202-308-00	PLUG	1					
27			6909-920-843-00	PACKING	1					
28			6209-740-001-00	PIN, GROOVE	1					
29			6211-312-001-10	GASKET, GEAR CASE	1					
30			V681-200-001-20	BALL, STEEL	1	9				
31			6209-580-003-10	SPRING, RELIEF VALVE	1					
32			6213-163-001-10	PLUG, RELIEF VALVE	1					
33			6209-050-001-00	BOLT/M6	1					
34			6209-050-002-00	BOLT/M6	1					
35			6909-110-406-00	NUT	2					

HHH HHH HHH
444 444 EEE
888 888 245
CCC EEE 000
EEE 245
245 000
000

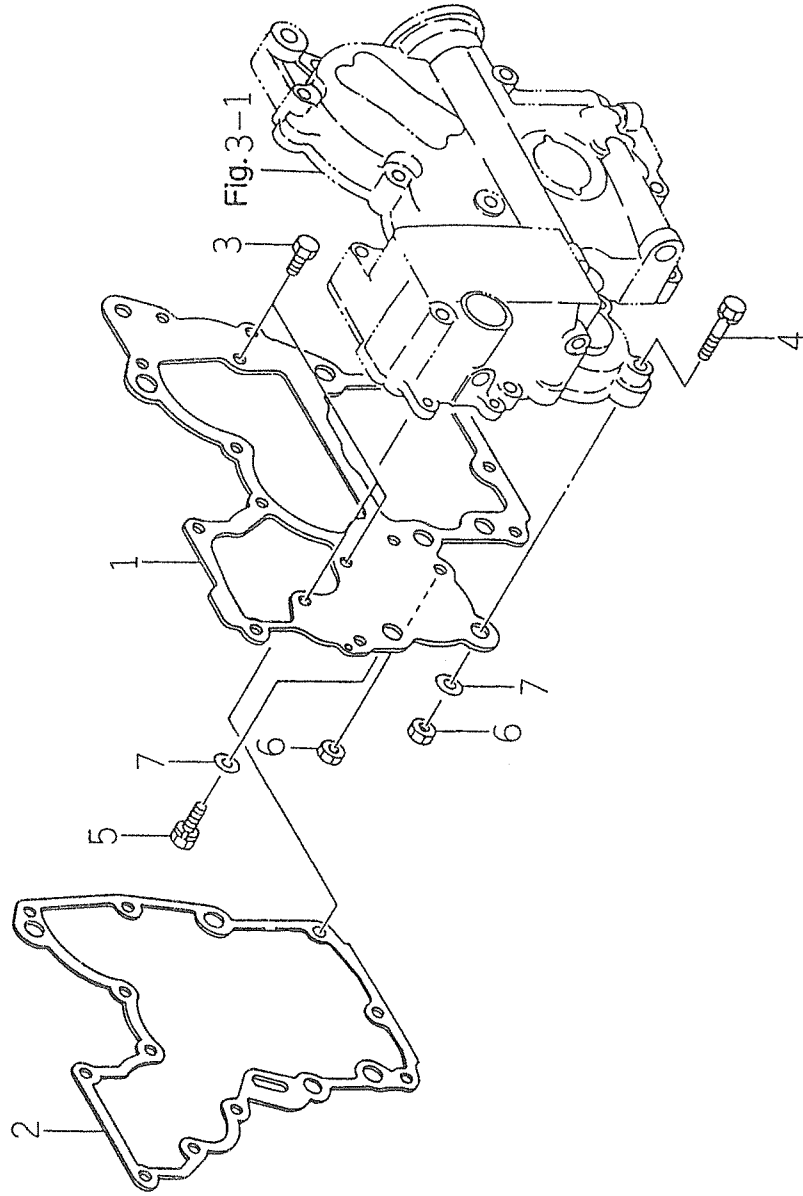


FIG #

4

P. 8

HHH HHH HHH
 444 444 EEE
 888 888 245
 CCC EEE 000
 EEE 245
 245 000
 000

KEY#	S C P H C G	PART CODE	DESCRIPTION	Q T Y	I T C	S C	T C	FROM	UPTO	REMARKS
1		6211-311-005-10	PLATE,FRONT	1						
2		6211-312-002-10	GASKET,PLATE	1						
3		6902-050-816-00	BOLT	3						
4		6901-910-840-00	BOLT	2						
5		6901-910-825-00	BOLT (WS)	1						
6		6909-110-508-00	NUT/M8	2						
7		6909-164-708-00	WASHER,PL/M8	2						

FIG. # 5

OIL PAN

P. 9

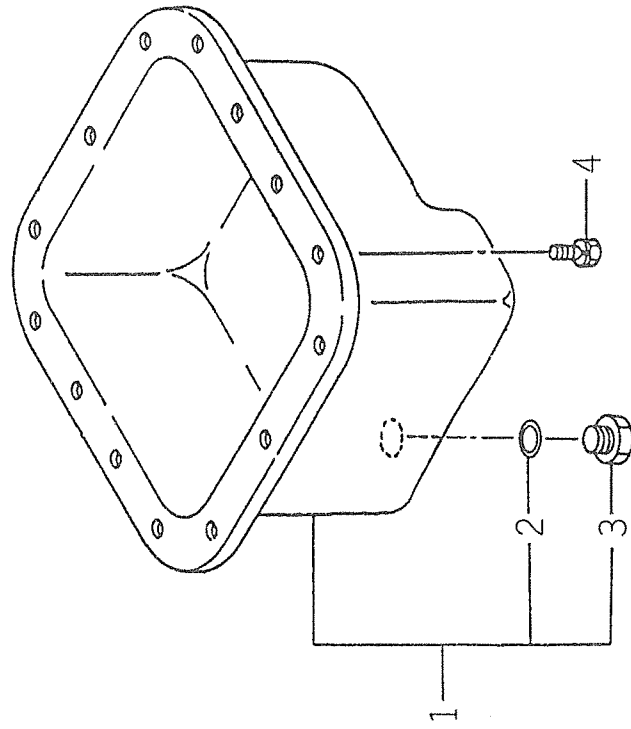


FIG #

5

P. 10

HHH HHH HHH
 444 444 EEE
 888 888 245
 CCC EEE 000
 EEE 245
 245 000
 000

KEY#	SIC PH CG	PART CODE	DESCRIPTION	QTY	UNIT	IS	T	FROM	UPTO	REMARKS
1		6211-360-004-00	FAM.OIL	1		1				
2		6909-571-420-00	PACKING	1		2				
3		6999-202-320-00	PLUG(SCREW/H20X1.5)	1		2				
4		6901-910-612-00	BOLT,SEMS/M6X12	14						



OIL PUMP

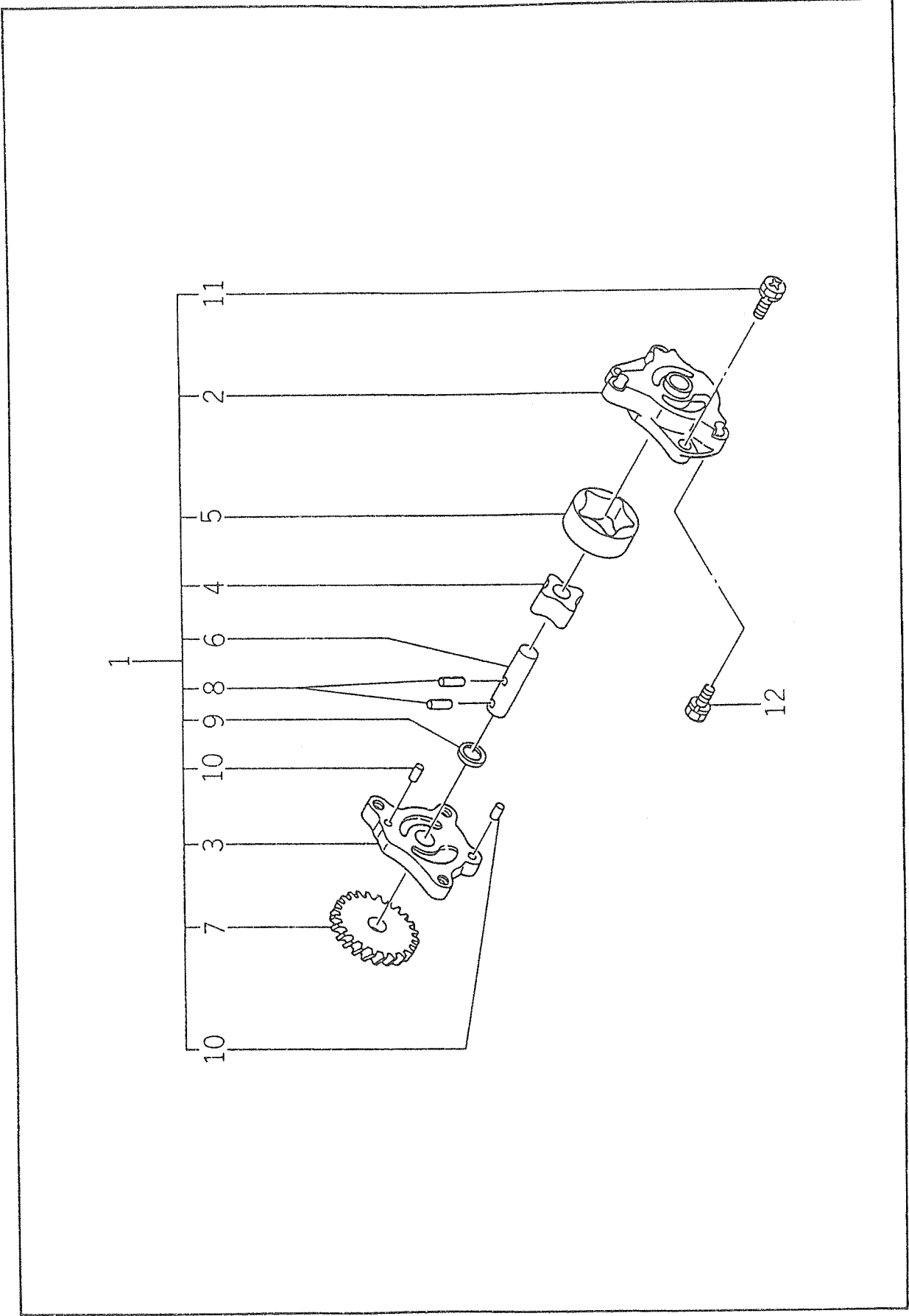


FIG # 6

P. 12

KEY#	S C P H C G	PART CODE	DESCRIPTION	Q T Y	I T C	S C	U P T O	F R O M	R E M A R K S
1		6213-100-003-10	PUMP,OIL	1	A	1			
2			BODY,OIL PUMP	1	A	000 000 000			
3			COVER,OIL PUMP	1	A	000 000 000			
4			ROTOR,INNER	1	A	000 000 000			
5			ROTOR,OUTER	1	A	000 000 000			
6			SHAFT,OIL PUMP	1	A	000 000 000			
7			GEAR,OIL PUMP	1	A	000 000 000			
8			PIN,STRAINER	2	A	000 000 000			
9			WASHER	1	A	000 000 000			
10			PIN,STRAINER	2	A	000 000 000			
11		6901-910-625-00	BOLT/M6X20	3	A	000 000 000			
12			BOLT	3	A	000 000 000			

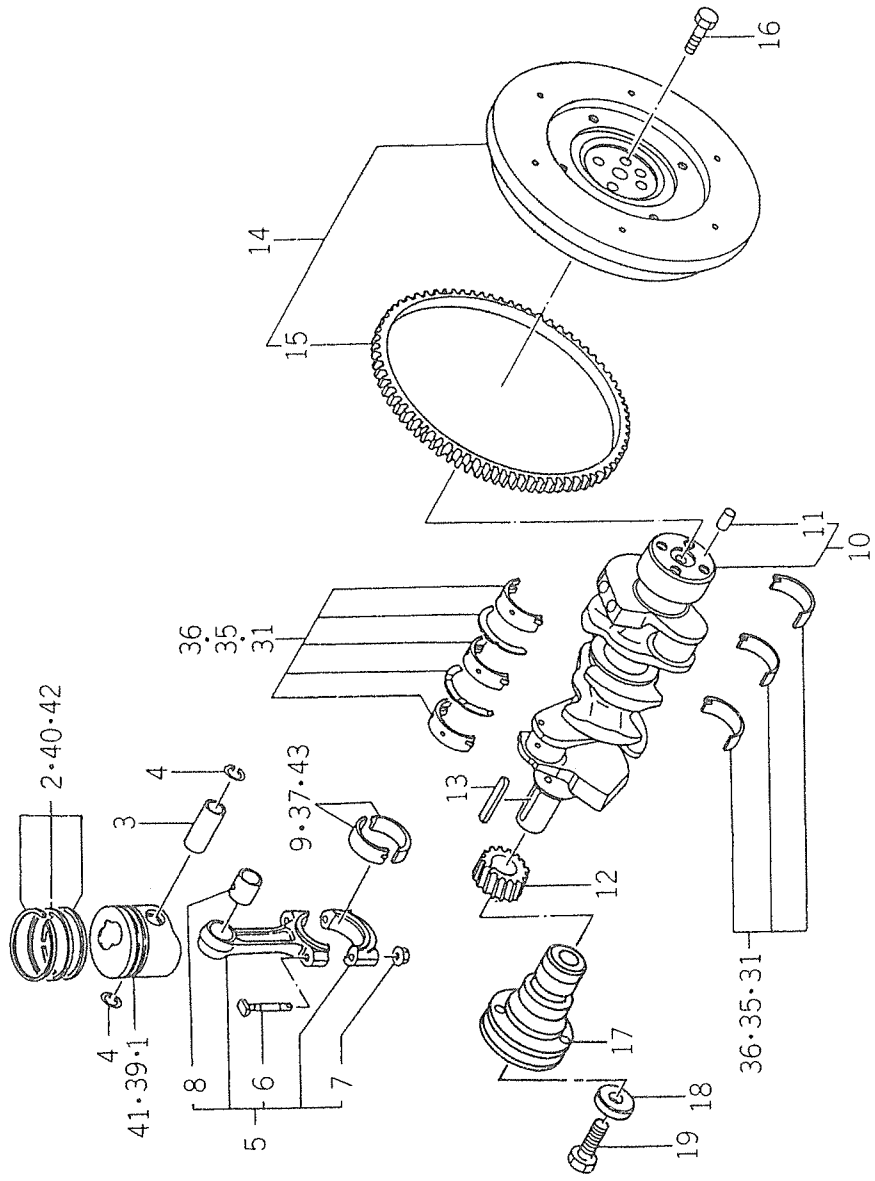


FIG # 7

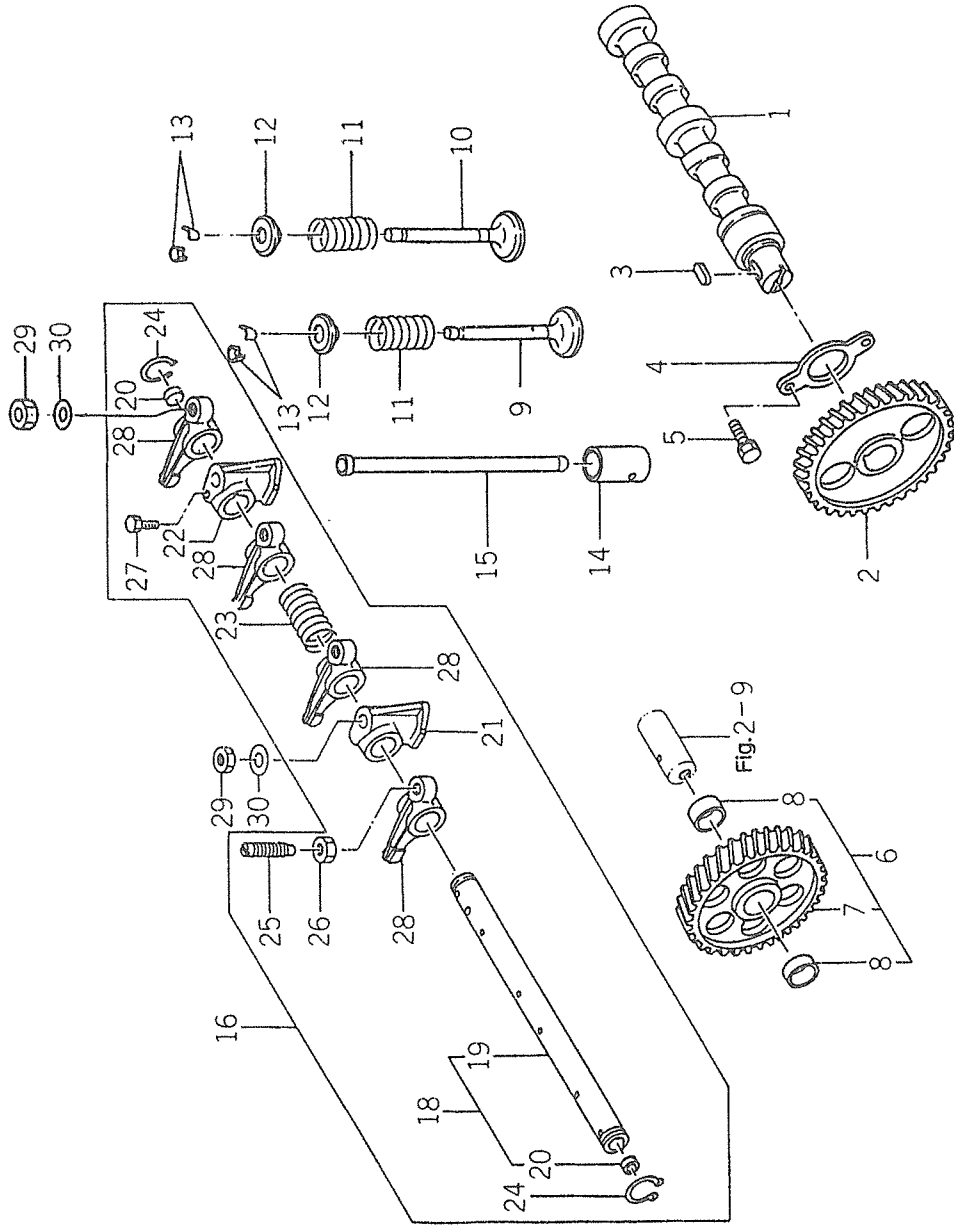
P. 14

KEY#	S C P H C G	PART CODE	DESCRIPTION	Q T Y	I T C	S T C	T P	FROM	UPTO	REMARKS
1		6212-111-015-00	PISTON	2	2	000 000 000				
2		6212-121-008-00	PISTON (PISTON) SET	2	2	000 000 000				
3		6212-211-001-10	PIN, PISTON	2	2	000 000 000				
4		6209-587-001-00	RING, SNAP	4	4	000 000 000				
5		6212-230-003-00	ROD, CONNECTING	2	1	000 000 000				
6		6212-235-001-00	BOLT, CONN ROD	4	2	000 000 000				
7		6894-240-902-00	NUT, FLANGE	4	2	000 000 000				
8		6212-251-002-00	RUSH, CONN ROD	2	2	000 000 000				
9		6212-261-002-00	BEARING, CONN ROD	4	4	000 000 000				
10		6212-310-010-00	CRANK SHAFT	1	1	000 000 000				
11		6908-161-018-00	PIN	1	2	000 000 000				
12		6212-521-002-00	GEAR, CRANK SHAFT	1	1	000 000 000				
13		6908-000-750-00	KEY	1	1	000 000 000				
14		6212-330-013-30	FLYWHEEL	1	1	000 000 000				
15		6212-333-001-00	GEAR, RING	1	1	000 000 000				
16		6509-000-018-10	BOLT	4	2	000 000 000				
17		6212-371-014-00	PULLEY	1	1	000 000 000				
18		6212-379-001-00	WASHER	1	1	000 000 000				
19		6901-066-645-00	BOLT	1	1	000 000 000				
31		6211-510-002-00	BEARING, CRANK	1	1	000 000 000				
35		6211-540-002-00	BEARING, CRANK	1	1	RRR RRR RRR				
36		6211-560-002-00	BEARING, CRANK	1	1	RRR RRR RRR				
37		6212-264-002-00	BEARING, CONN ROD	4	4	RRR RRR RRR				
39		6212-114-015-00	PISTON (OV/050)	2	2	RRR RRR RRR				
40		6212-124-008-00	RING (PISTON/OV050) SET	2	2	RRR RRR RRR				
41		6212-116-015-00	PISTON (OV/100)	2	2	RRR RRR RRR				
42		6212-126-008-00	RING (PISTON/OV100) SET	2	2	RRR RRR RRR				
43		6212-266-002-00	BEARING, CONN ROD	4	4	RRR RRR RRR				

FIG. # 8

VALVE MECHANISM

P. 15



KEY#	SIC PH CG	PART CODE	DESCRIPTION	QTY	ITC	QTY	ITC	FROM	UPTO	REMARKS
1		6212-511-004-00	CAM SHAFT	1						
2		6212-522-003-00	GEAR, CAMSHAFT	1						
3		6908-000-716-00	KEY	1						
4		6212-535-001-00	PLATE, THRUST	1						
5		6901-910-612-00	BOLT, SEHS/M6X12	2						
6		6212-523-003-00	GEAR, IDLE	1						
7		6212-523-004-00	GEAR, IDLE	1						
8		6212-528-001-00	BUSH, IDLE GEAR	1						
9		6212-551-001-00	VALVE, INTAKE	2						
10		6212-552-001-00	VALVE, EXHAUST	2						
11		6212-561-001-00	SPRING, VALVE	4						
12		6212-563-001-00	SEAT, VALVE SPRING	4						
13		6212-565-001-00	CUTTER, VALVE	8						
14		6212-571-001-00	TAPPET	4						
15		6212-575-001-00	ROD, PUSH	4						
16		6212-600-003-00	SHAFT, ROCKER	1						
18		6212-620-002-00	SHAFT, ROCKER ARM	1						
19		6212-621-003-00	SHAFT, ROCKER ARM	1						
20		6212-626-002-00	PLUG	2						
21		6212-628-004-00	BRACKET, ROCKER SHAFT	1						
22		6212-628-005-00	BRACKET, ROCKER SHAFT	1						
23		6209-940-001-00	SPRING	1						
24		V704-140-016-00	RING, SNAP/16 C	2						
25		6212-616-001-00	SCREW, ADJUST	4						
26		6909-111-508-00	NUT	4						
27		6209-000-002-00	BOLT	4						
28		6212-611-003-00	ARM, ROCKER	1						
29		6909-110-508-00	NUT/M8	4						
30		6909-164-508-00	WASHER, PL/M8	2						

HHH HHH HHH
 444 444 444
 888 888 888
 CCC CCC CCC
 EEE EEE EEE
 245 245 245
 000 000 000

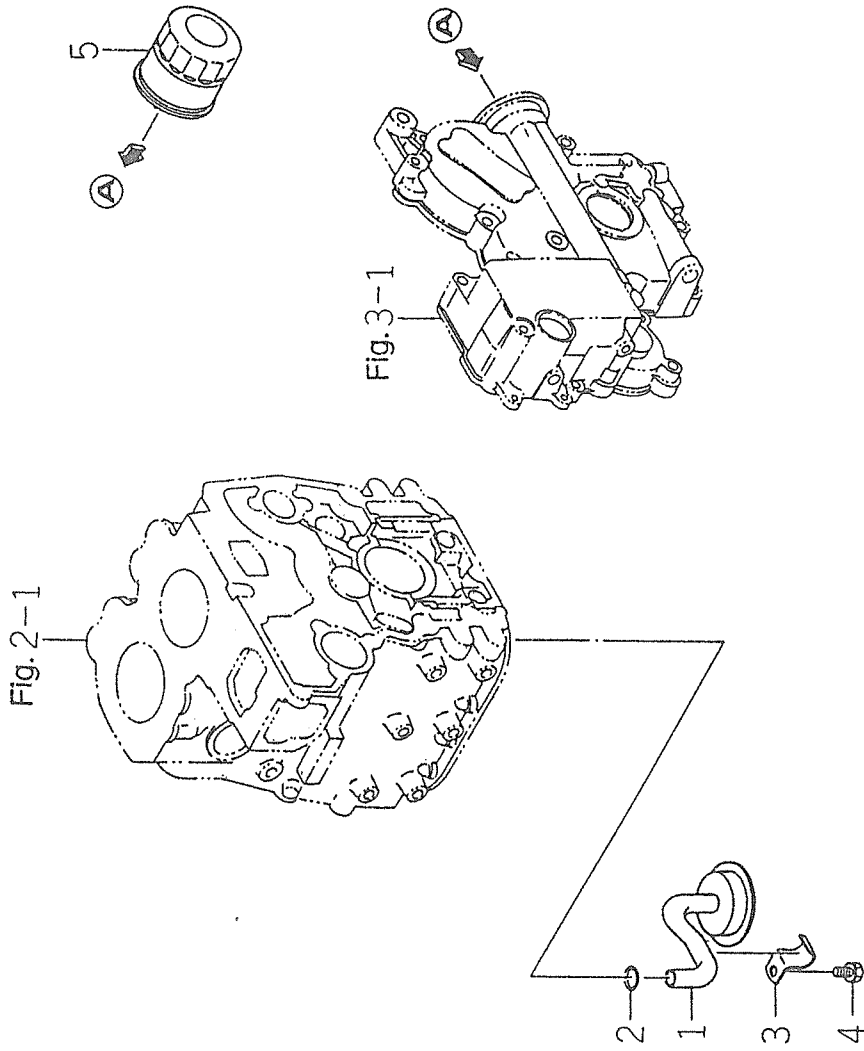


FIG # 9

P. 18

HH HH HH
 444 444 EEE
 888 888 245
 CCC EEE 000
 EEE 245
 245 000
 000

KEY#	S C P C	PH C G	PART CODE	DESCRIPTION	Q T Y	I T Y	S T C	FROM	UPTO	REMARKS
1			6213-140-004-00	STRAINER	1					
2			V720-102-401-50	O-RING/P15	1					
3			6213-149-001-00	CLAMP, STRAINER	1					
4			6901-910-816-00	BOLT, SEMS/M8X16	1					
5			6213-240-002-00	CARTRIDGE, OIL FILTER	1					



OIL PIPE

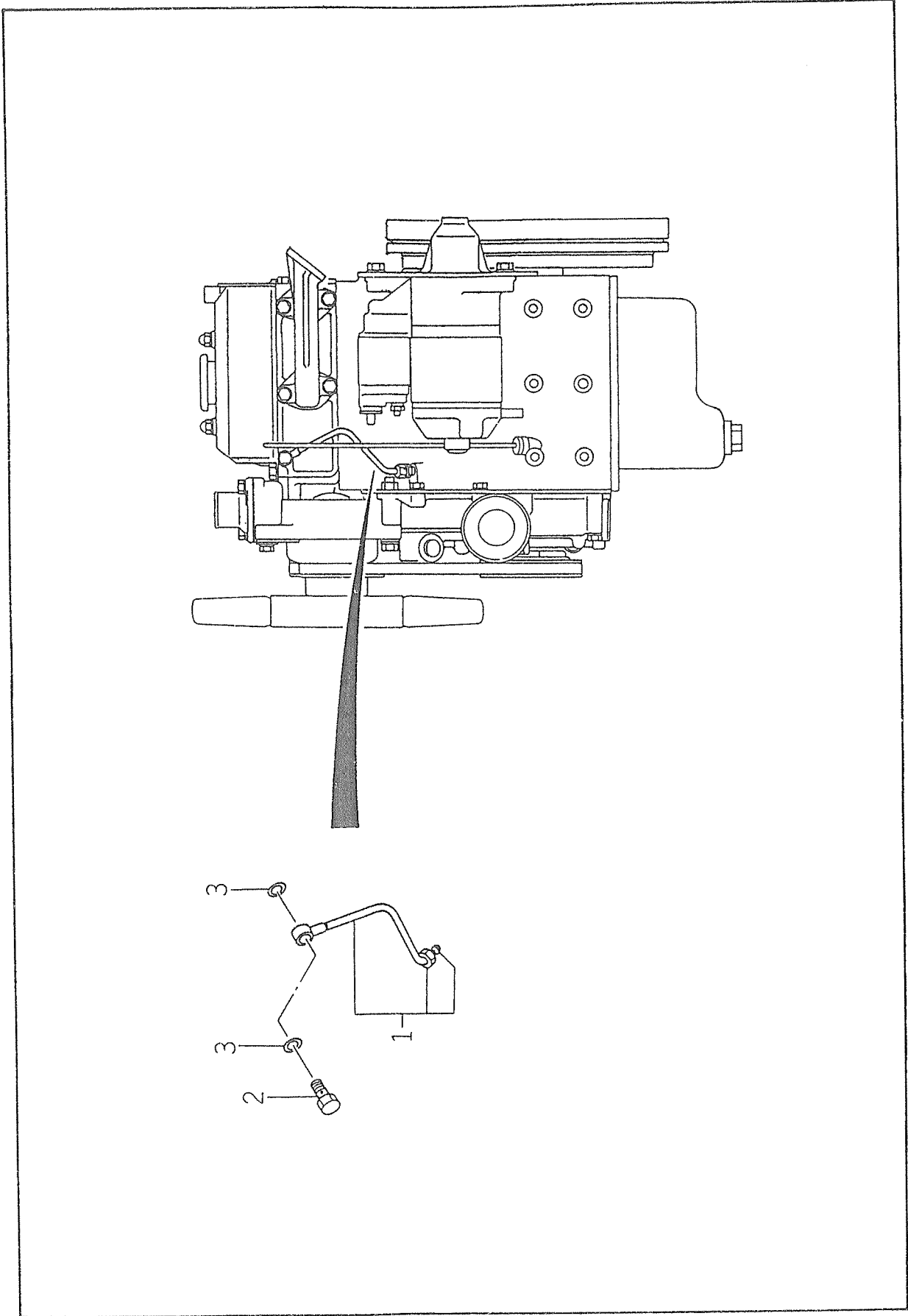
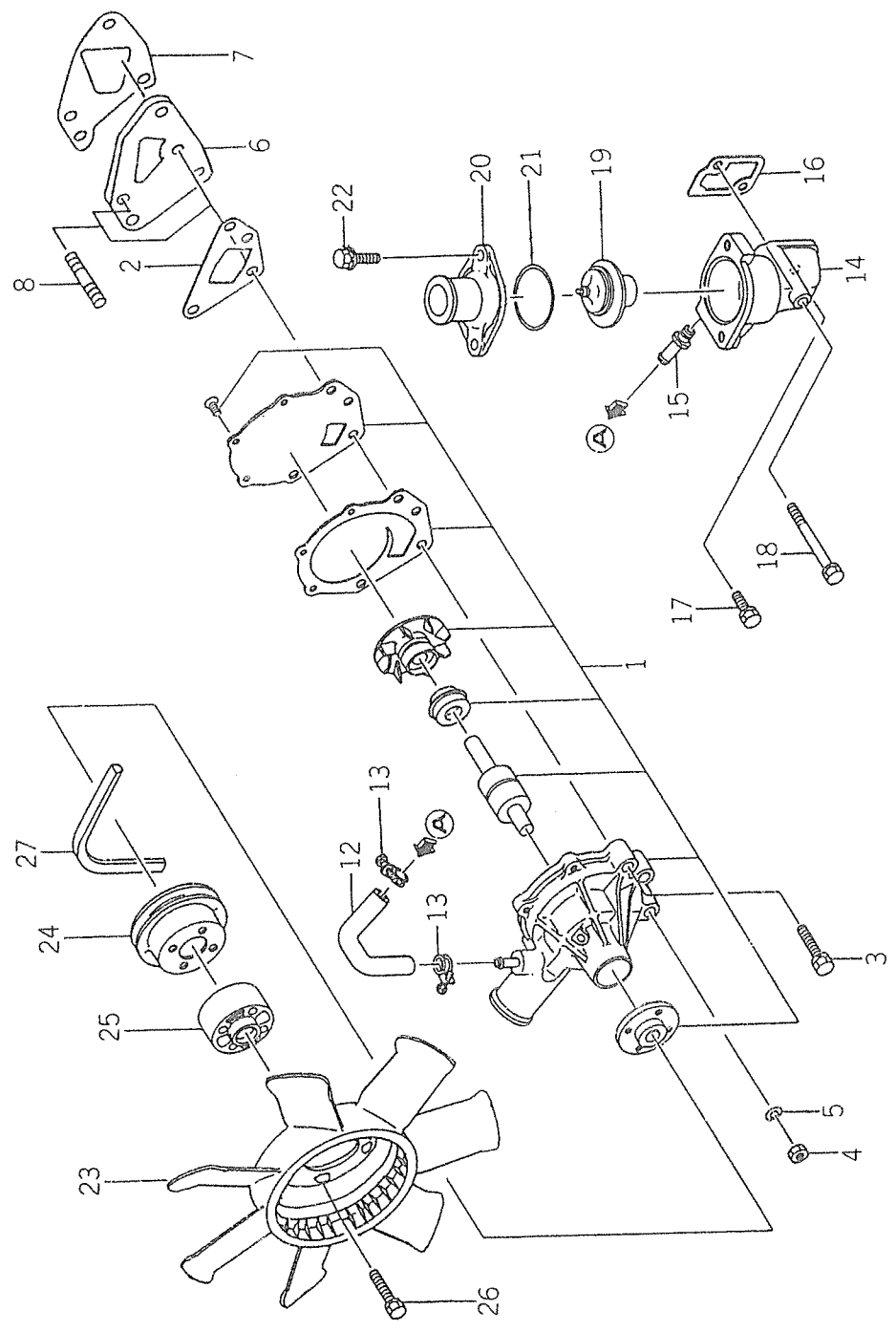


FIG # 10

P. 20

KEY#	S P C	C H G	PART CODE	DESCRIPTION	Q T Y	I T C	S C	HHH 444 888 CCC EEE 245 000	HHH 444 888 EEE 245 000	HHH 444 888 EEE 245 000	T P	FROM	UPTO	REMARKS
1			6213-311-003-10	PIPE, OIL	1			000 000 000	000 000 000	000 000 000				
2			6909-906-105-10	BOLT, JOINT	1			000 000 000	000 000 000	000 000 000				
3			6909-920-843-00	PACKING	2			000 000 000	000 000 000	000 000 000				

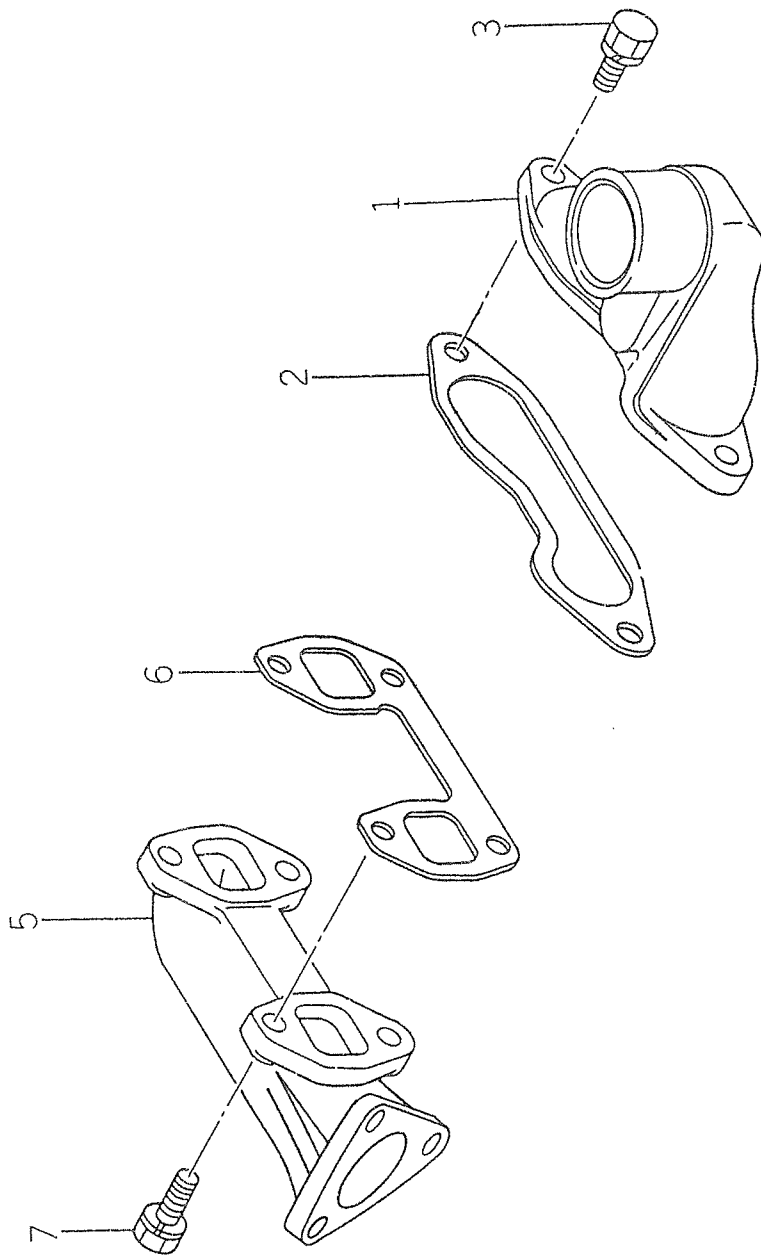
WATER PUMP



KEY#	S P C	C H C	PART CODE	DESCRIPTION	Q T Y	I T C	S C	FROM	UPTO	REMARKS
1			6213-610-005-00	PUMP, WATER ASSY	1		000 000 000			
2			6213-614-003-00	GASKET, WATER PUMP	1		000 000 000			
3			6901-910-845-00	BOLT, SEMS/M8X45	1		000 000 000			
4			6909-110-508-00	NUT/M8	2		000 000 000			
5			6909-150-508-00	WASHER	2		000 000 000			
6			6213-619-005-00	SPACER, WATER PUMP	1		000 000 000			
7			6213-614-006-00	GASKET, SPACER	1		000 000 000			
8			6209-300-002-00	STUD	1		000 000 000			
9			6901-910-820-00	BOLT, SEMS/M8X20	2		000 000 000			
10			6909-110-508-00	NUT/M8	1		000 000 000			
11			6909-150-508-00	WASHER	1		000 000 000			
12			6213-729-001-00	HOSE, RUBBER	1		000 000 000			
13			1417-102-005-00	BAND, HOSE	2		000 000 000			
14			6213-716-001-10	HOUSING, THERMOSTAT	1		000 000 000			
15			6213-721-003-00	PIPE, PUMP HOUSING	1		000 000 000			
16			6213-743-002-00	GASKET, HOUSING	1		000 000 000			
17			6901-910-820-00	BOLT, SEMS/M8X20	1		000 000 000			
18			6209-030-006-00	BOLT, SEMS/M8X75	1		000 000 000			
19			6513-770-022-10	THERMOSTAT	1		000 000 000			
20			6213-711-003-20	PIPE, WATER OUTLET	1		000 000 000			
21			VT23-102-005-50	O-RING	1		000 000 000			
22			6901-970-825-00	BOLT, SEMS/M8X25	2		000 000 000			
23			6213-660-006-00	FAN, COOLING	1		000 000 000			
24			6213-641-004-00	PULLEY, WATER PUMP	1		000 000 000			
25			6213-669-002-00	SPACER, FAN/39	1		000 000 000			
26			6209-030-041-00	BOLT	4		000 000 000			
27			6213-671-002-10	BELT, V HM/33.5	1		000 000 000			

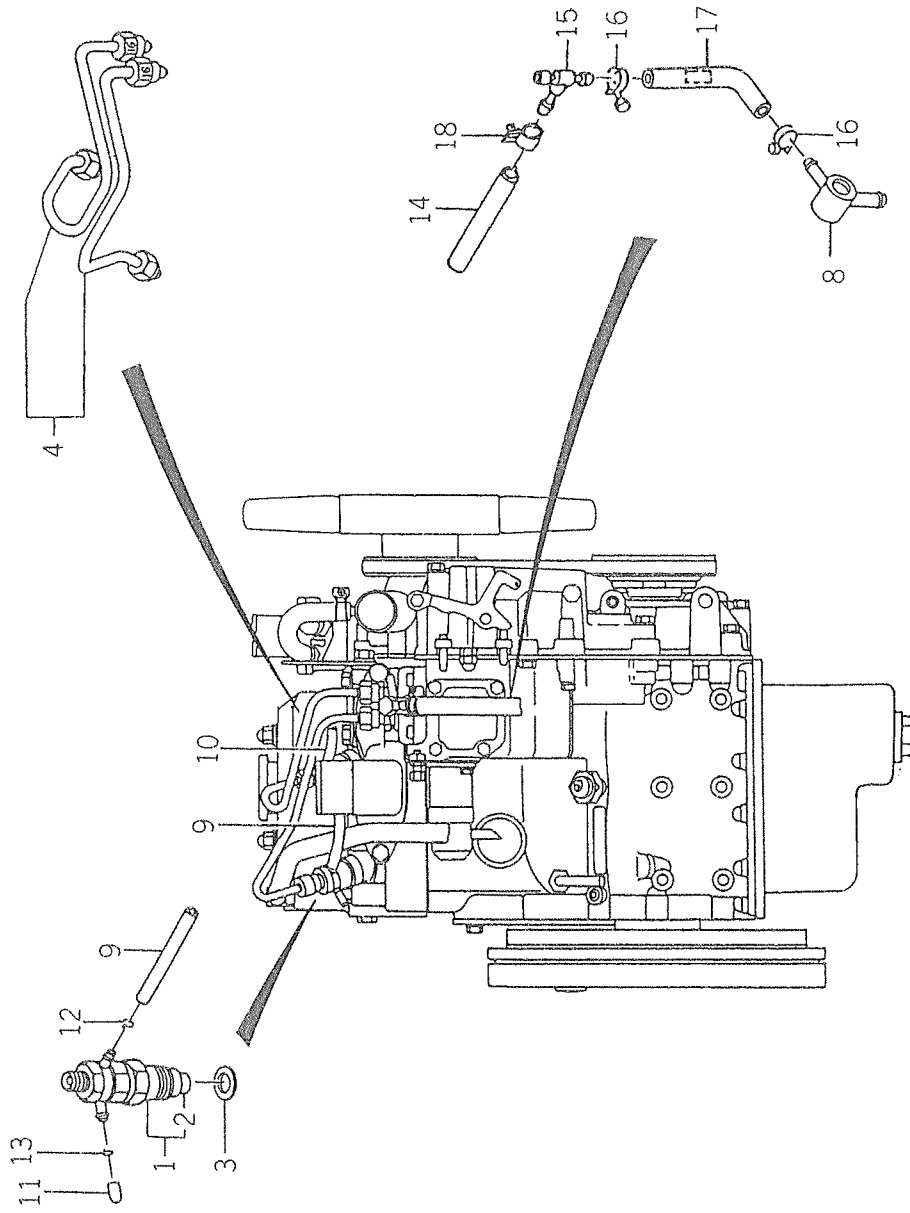
HH HH HH
 444 444 EEE
 888 888 245
 CCC EEE 000
 EEE 245
 245 000
 000

MANIFOLD (INLET) - (EXHAUST)



KEY#	S P C	P N C	G	PART CODE	DESCRIPTION	Q T Y	I S T C	000 000 000 000 000 000 000	FROM	UPTO	REMARKS
1				6214-111-013-00	MANIFOLD, / N	1		000 000 000			
2				6214-115-002-10	GASKET, MANIFOLD	1		000 000 000			
3				6901-910-820-00	BOLT, SEMS/M8X20	2		000 000 000			
5				6214-141-015-00	MANIFOLD, EXHAUST	1		000 000 000			
6				6214-145-001-10	GASKET, MANIFOLD/EXH	1		000 000 000			
7				6901-910-825-00	BOLT(WS)	4		000 000 000			

HHH HHH HHH
 444 444 EEE
 888 888 245
 CCC EEE 000
 EEE 245
 245 000
 000



KEY#	S P C	C P H G	PART CODE	DESCRIPTION	Q T Y	I T C	S C	HHH 444 888 CCC EEE 245 000	HHH 444 888 CCC EEE 245 000	FROM	UPTO	REMARKS
1			6215-300-005-00	NOZZLE, INJ. ASSY	2	1		000 000 000				
2			6215-311-005-00	NOZZLE	2	2		000 000 000				
3			6215-315-002-00	GASKET, NOZZLE	2			000 000 000				
4			6215-410-034-10	PIPE, INJECTION	1			000 000 000				
8			6215-412-001-10	CONNECTOR, FILTER	1			000 000 000				
9			6209-360-010-00	HOSE, RUBBER	1			000 000 000				
10			6509-360-912-10	HOSE RUBBER	1			000 000 000				
11			6515-419-014-00	CAP	1			000 000 000				
12			6509-704-059-00	CLIP	3			000 000 000				
13			6909-915-163-00	CLIP	1			000 000 000				
14			3659-310-004-00	HOSE/07X13X120	1			000 000 000				
15			3632-360-036-00	JOINT-TYPE 2	1			000 000 000				
16			3741-141-005-00	BAND, HOSE	2			000 000 000				
17			6215-419-001-00	TUBE, ORIFICE	1			000 000 000				
18			3632-360-008-00	CLIP, HOSE	1			000 000 000				

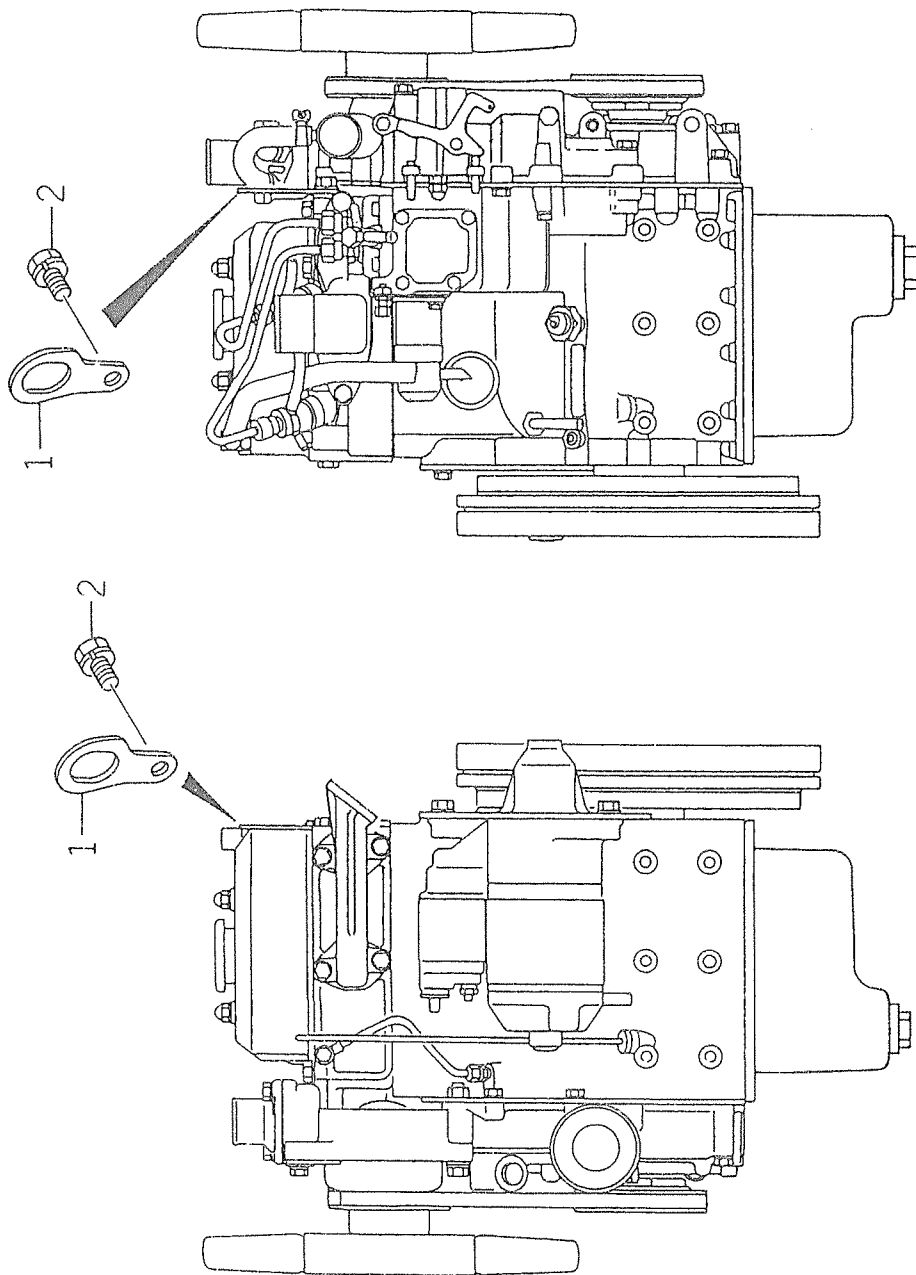
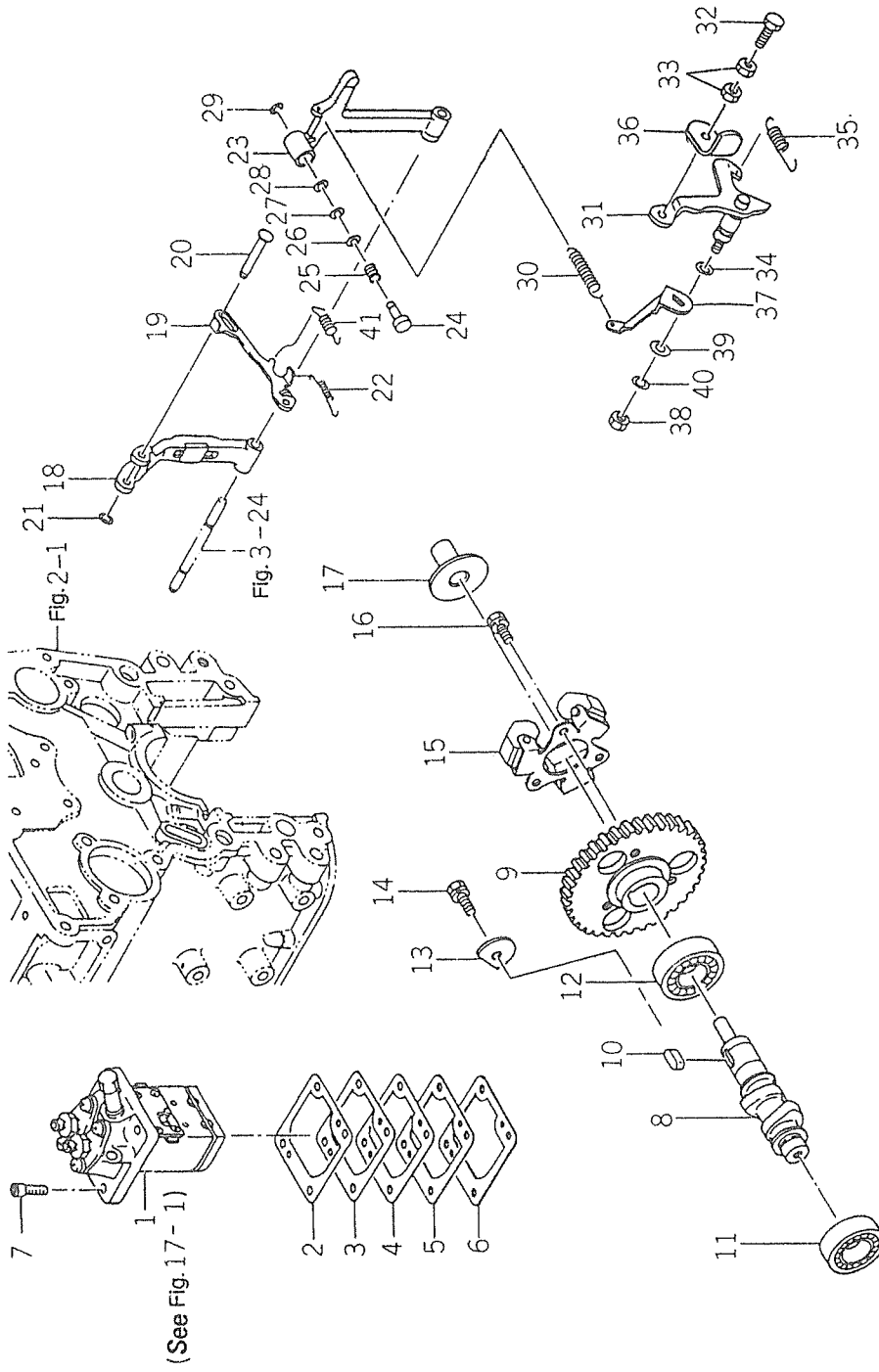


FIG # 14

P. 28

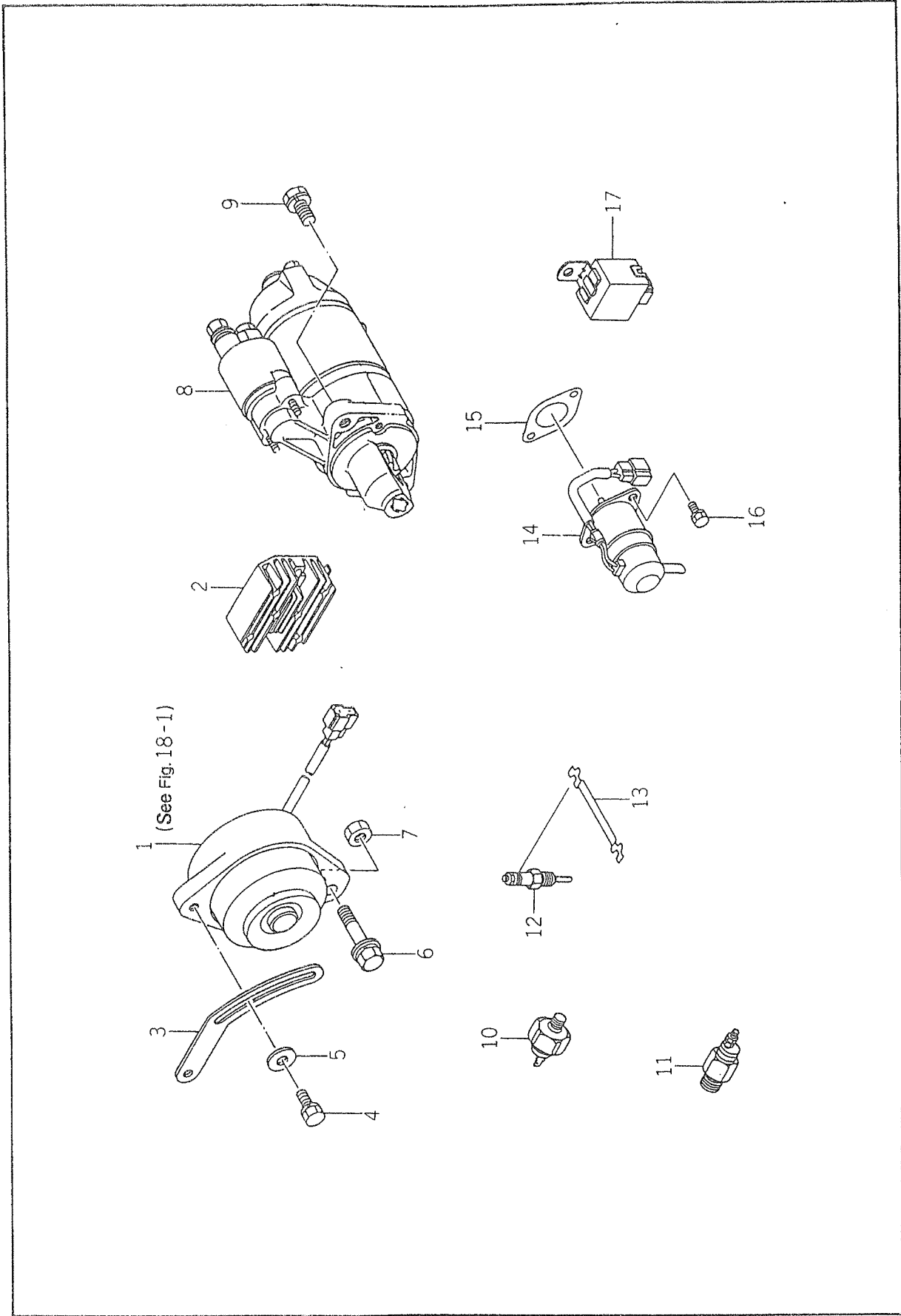
HHH HHH HHH
444 444 EEE
888 888 245
CCC EEE 000
EEE 245
245 000
000

KEY#	S C P C	PH G	PART CODE	DESCRIPTION	Q T Y	T Y C	S C C	T P	FROM	UPTO	REMARKS
1			6211-777-007-10	HANGER	2						
2			6209-030-081-00	BOLT/M10X1.25X18	2						



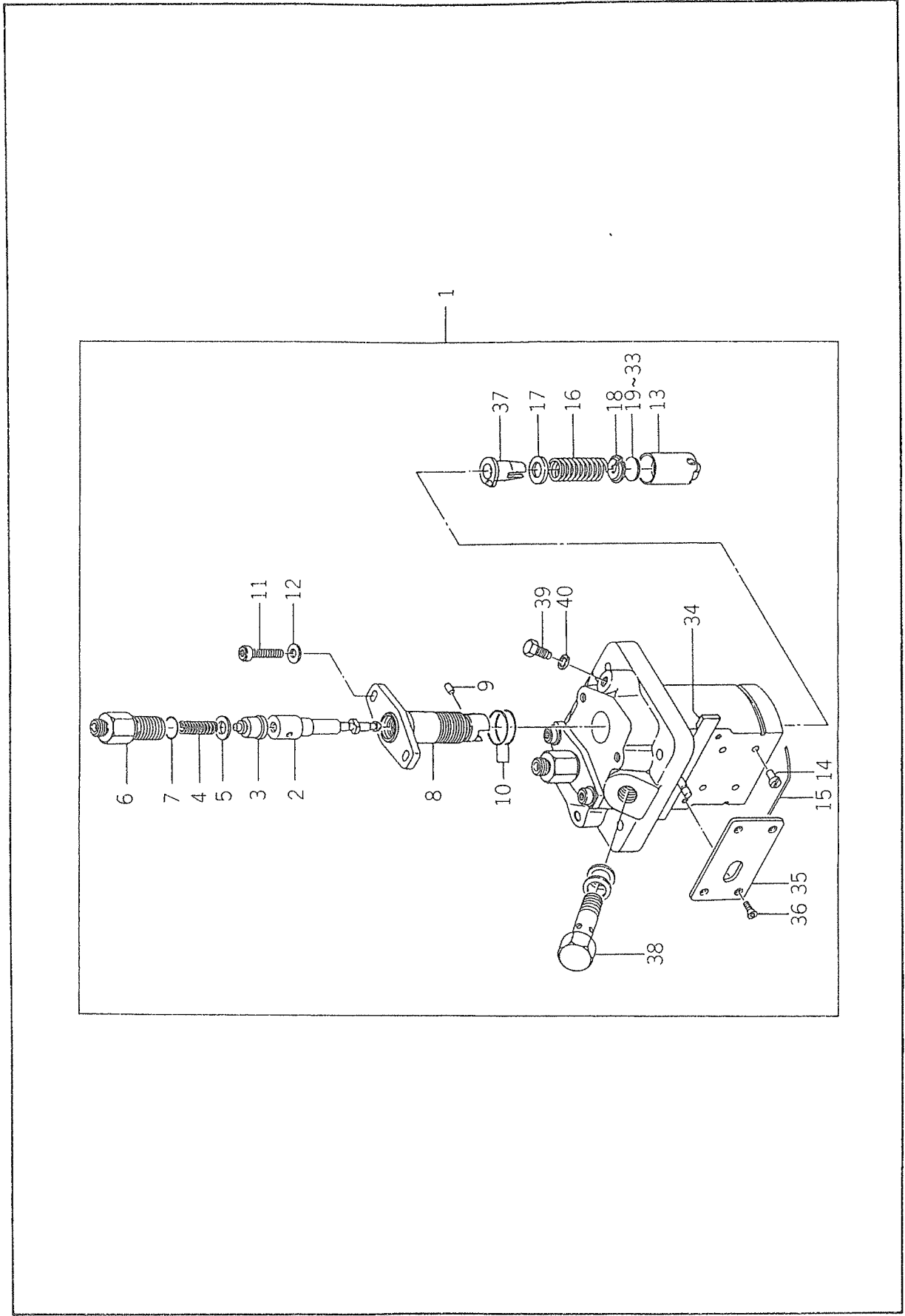
KEY#	S P C	C H G	PART CODE	DESCRIPTION	Q T Y	I T C	S C	T F P	FROM	UPTO	REMARKS
1			6215-600-057-00	PUMP, INJ ASSY	1	1	1				
2			6219-752-011-00	SHIM, INJ PUMP	1	1	1				
3			6219-752-012-00	SHIM, INJ PUMP	1	1	1				
4			6219-752-013-00	SHIM, INJ PUMP	1	1	1				
5			6219-752-014-00	SHIM, INJ PUMP	1	1	1				
6			6209-056-001-00	BOLT/M6X18	4	A	1				
7			6215-621-003-20	SHIM, INJ PUMP	1	1	1				
8			6212-524-002-00	GEAR, INJ PUMP	1	1	1				
9			6908-000-716-00	KEY	1	1	1				
10											
11			V600-110-620-30	BEARING, RB/6203	1	1	1				
12			V600-110-600-40	BEARING, RB/6004	1	1	1				
13			6212-535-002-00	PLATE, THRUST INJ PUMP	1	1	1				
14			6901-910-612-00	BOLT, SEHS/M6X12	1	1	1				
15			6215-520-001-00	FLYWEIGHT	1	1	1				
16			6209-030-043-00	BOLT/M6X10	3	3	1				
17			6215-526-001-10	PIECE, THRUST	1	1	1				
18			6215-541-001-00	ARM, FLOATING	1	1	1				
19			6215-543-003-10	LINK, CONTROL	1	1	1				
20			6215-542-002-00	PIN, CONTROL LINK	1	1	1				
21			V710-140-004-00	RING, SNAP/ 4 E	1	1	1				
22			6215-549-003-00	SPRING, SETTING	1	1	1				
23			6215-541-002-10	ARM, TENSION	1	1	1				
24			6215-549-004-10	PIN, ADAPTER	1	1	1				
25			6215-536-001-00	SPRING, ADAPTER	1	1	1				
26			6215-549-006-00	SHIM, ADAPTER	2	2	1				
27			6215-549-009-00	SHIM, ADAPTER	2	2	1				
28			6215-549-010-00	SHIM, ADAPTER	2	2	1				
29			V710-140-004-00	RING, SNAP/ 4 E	1	1	1				
30			6215-531-005-00	SPRING, GOVERNOR	1	1	1				
31			6215-541-003-10	LEVER, CONTROL	1	1	1				
32			6209-044-001-00	BOLT/H6X18	1	1	1				
33			6909-111-406-00	NUT	2	2	1				
34			V720-101-900-80	O-RING/P 8	1	1	1				
35			6209-580-002-10	SPRING, RETURN VALVE	1	1	1				
36			6215-549-021-00	PLATE, CONTROL VALVE	1	1	1				
37			6215-549-007-00	ARM, CONTROL	1	1	1				
38			6909-110-406-00	NUT	1	1	1				
39			V411-260-006-00	WASHER / M6	1	1	1				
40			6909-150-506-00	WASHER, SP/M6	1	1	1				
41			6215-549-008-00	SPRING, STARTING	1	1	1				

ENGINE PARTS

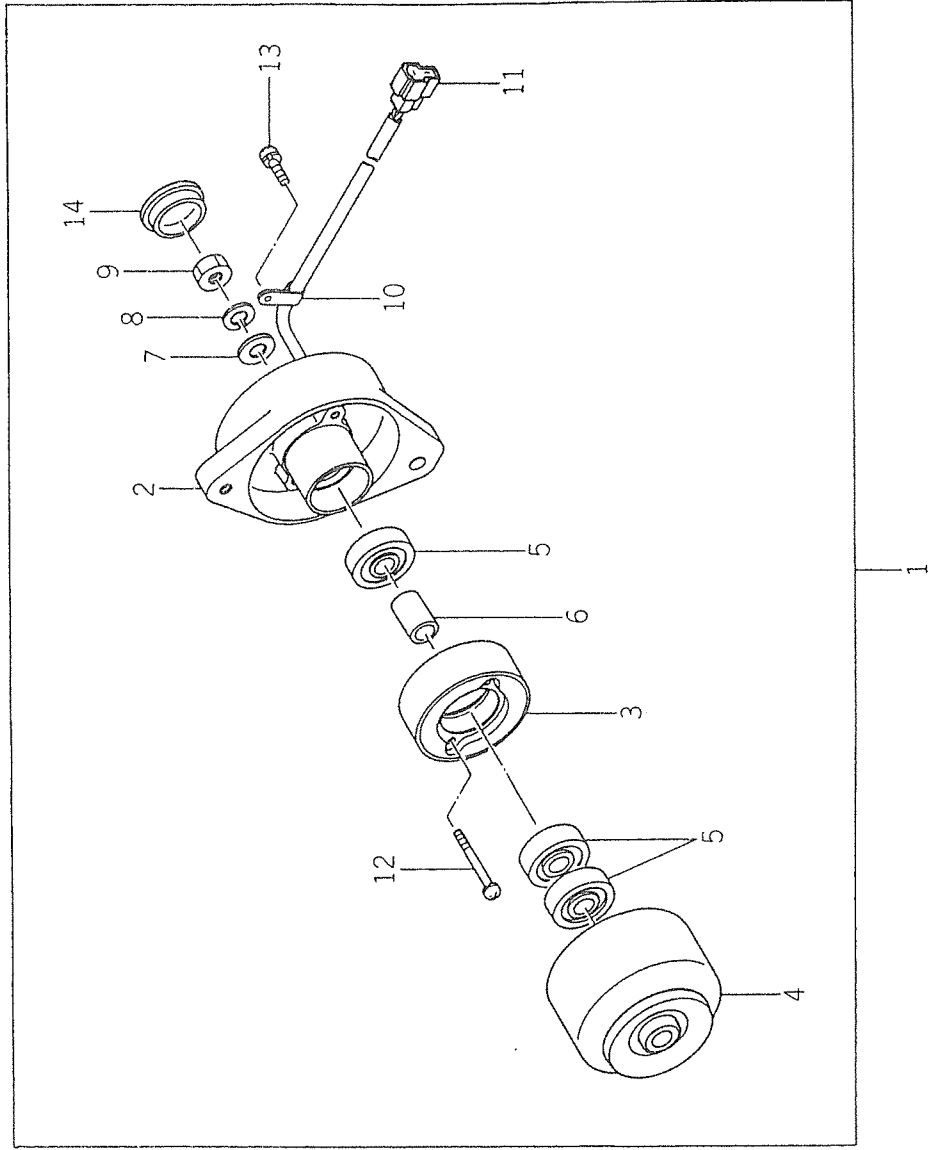


KEY#	SC P W C G			PART CODE	DESCRIPTION	QTY	I T F			FROM	UPTO	REMARKS
	S	P	W				I	T	F			
1				6281-200-007-00	GENERATOR/12V-8.5A	1						
2				6281-270-001-00	REGULATOR	1						
3				6213-674-004-10	PLATE, ADJUST	1						
4				6901-910-820-00	BOLT, SEMS/83X20	1						
5				6909-164-708-00	WASHER, PL/H8	1						
6				6894-207-904-00	BOLT/M10X1.25X65	1						
7				6909-110-410-00	NUT/M10	1						
8				6281-100-004-00	STARTER	1						
9				6901-911-025-00	BOLT	2						
10				6281-971-001-00	SWITCH, OIL PRESSURE	1						
11				6582-450-014-00	SWITCH, THERMETER	1						
12				6281-410-002-20	PLUG, GLOW	2						
13				6219-732-003-00	CONNECTOR, GLOW PLUG	1						
14				6281-910-001-00	SOLENOID	1						
15				6209-630-002-00	GASKET, SOLENOID	1						
16				6901-910-612-00	BOLT, SEMS/M6X12	2						
17				6281-920-001-00	RELAY, SOLENOID	1						

HHH HHH HHH
 444 444 EEE
 888 888 245
 CCC EEE 000
 EEE 245
 245 000
 000



KEY#	S C P R C	PART CODE	DESCRIPTION	Q T Y	I S T C	HHH 444 888 CCC EEE 245 000	HHH 444 888 CCC EEE 245 000	T F	FROM	UPTO	REMARKS																												
												1	2	3	4	5	6	7	8	9	10	11	12	13	14	15	16	17	18	19	20	21	22	23	24	25	26	27	28
1		6215-600-057-00	PUMP, INJ ASSY	1	1	000	000																																
2		5014-015-396-20	PLUNGER ASSY	2	2	000	000																																
3		5014-011-036-20	DELIVERY VALVE	2	2	000	000																																
4		5014-011-232-00	SPRING, D.V.	2	2	000	000																																
5		5014-011-522-00	GASKET	2	2	000	000																																
6		5014-011-672-20	HOLDER, D.V.	2	2	000	000																																
7		5001-655-012-20	O RING	2	2	000	000																																
8		5014-013-100-20	SLEEVE FLANGE	2	2	000	000																																
9		5014-027-100-00	PIN	2	2	000	000																																
10		5001-655-016-20	O RING	4	2	000	000																																
11		5014-012-400-00	SCREW	4	2	000	000																																
12		5001-401-061-40	WASHER	4	2	000	000																																
13		5014-020-023-20	TAPPET	2	2	000	000																																
14		5014-021-203-00	PIN	2	2	000	000																																
15		5014-021-308-00	SNAP RING	1	1	000	000																																
16		5014-021-520-00	SPRING, PLUNGER	2	2	000	000																																
17		5014-021-613-00	SPRING SEAT	2	2	000	000																																
18		5014-025-429-00	SPRING SEAT	2	2	000	000																																
19		5014-025-414-00	PLATE/T=1.8	AR	2	000	000																																
20		5014-025-415-00	PLATE/T=1.85	AR	2	000	000																																
21		5014-025-416-00	PLATE/T=1.90	AR	2	000	000																																
22		5014-025-417-00	PLATE/T=1.95	AR	2	000	000																																
23		5014-025-418-00	PLATE/T=2.00	AR	2	000	000																																
24		5014-025-419-00	PLATE/T=2.05	AR	2	000	000																																
25		5014-025-420-00	PLATE/T=2.10	AR	2	000	000																																
26		5014-025-421-00	PLATE/T=2.15	AR	2	000	000																																
27		5014-025-422-00	PLATE/T=2.20	AR	2	000	000																																
28		5014-025-423-00	PLATE/T=2.25	AR	2	000	000																																
29		5014-025-424-00	PLATE/T=2.30	AR	2	000	000																																
30		5014-025-425-00	PLATE/T=2.35	AR	2	000	000																																
31		5014-025-426-00	PLATE/T=2.40	AR	2	000	000																																
32		5014-025-427-00	PLATE/T=2.45	AR	2	000	000																																
33		5014-025-428-00	PLATE/T=2.50	AR	2	000	000																																
34		5014-024-332-21	CONTROL ROD	1	2	000	000																																
35		5014-026-204-00	PLATE	1	2	000	000																																
36		5014-025-200-00	SCREW	4	2	000	000																																
37		5014-024-135-20	CONTROL SLEEVE	2	2	000	000																																
38		5014-040-226-20	EYE BOLT ASSY	1	2	000	000																																
39		5014-042-024-00	BOLT	1	2	000	000																																
40		5002-650-610-40	GASKET	1	2	000	000																																



KEY#	S C P H C G	PART CODE	DESCRIPTION	Q T Y	I T C	S C	T F	FROM	UPTO	REMARKS
1		6281-200-007-00	GENERATOR/12V-8.5A	1	1	1				
2		6281-213-007-00	PLATE	1	2	000 000 000				
3		6281-211-002-00	STATER	1	2	000 000 000				
4		6281-222-005-00	PULLEY	1	2	000 000 000				
5		6281-229-020-00	BEARING,RBB	1	2	000 000 000				
6		6281-229-021-00	COLLER	1	2	000 000 000				
7		6281-229-022-00	WASHER	1	2	000 000 000				
8		6281-229-023-00	WASHER	1	2	000 000 000				
9		6281-229-024-00	NUT	1	2	000 000 000				
10		6281-229-025-00	CLAMP	1	2	000 000 000				
11		6281-229-026-00	COUPLER	1	2	000 000 000				
12		6281-229-027-00	SCREW	1	2	000 000 000				
13		6281-229-028-00	SCREW	1	2	000 000 000				
14		6281-214-005-00	CAP	1	2	000 000 000				

MMH MMH MMH
 444 444 EEE
 888 888 245
 CCC EEE 000
 EEE 245
 245 000
 000

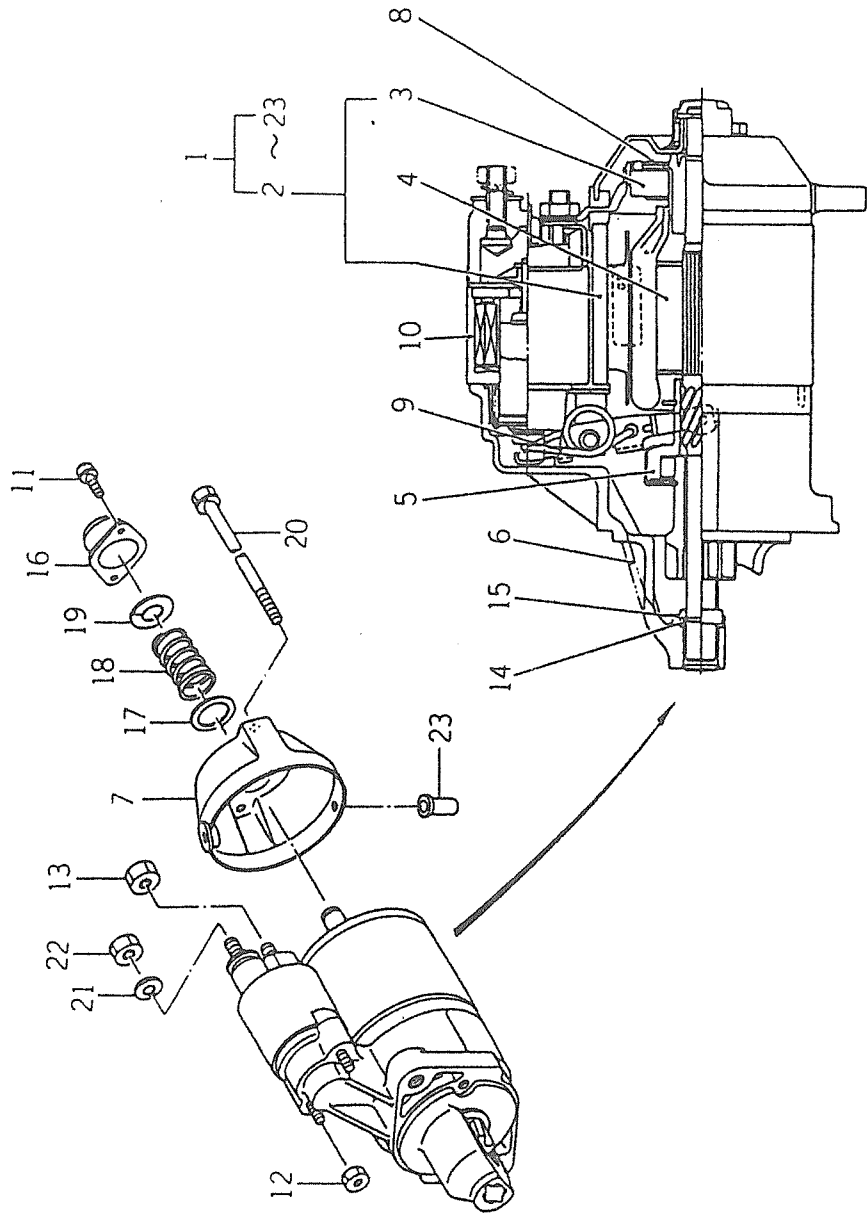
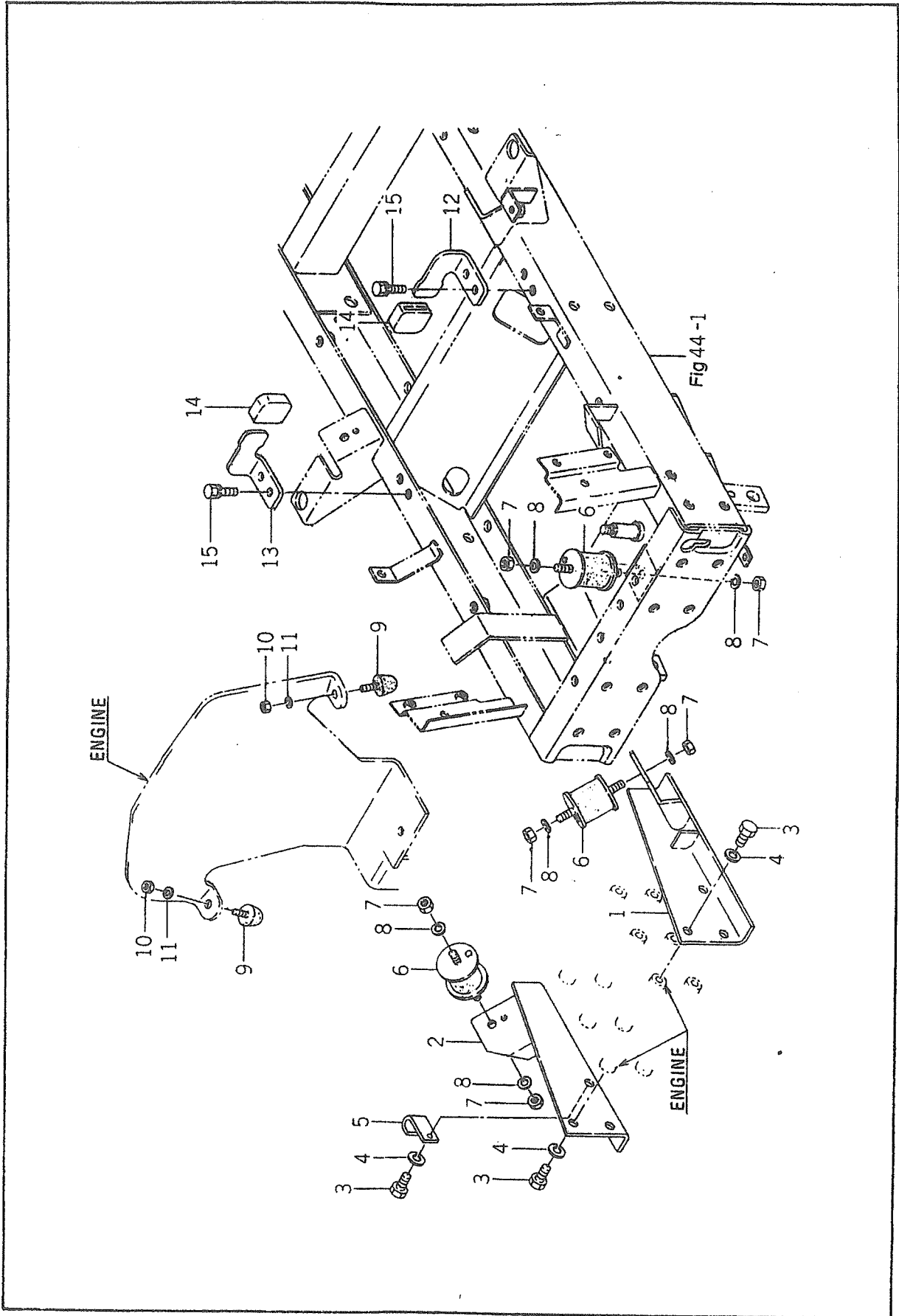


FIG # 18A

P 36-2

EEE 444 444
 245 888 888
 000 EEE CCC
 000 245 EEE
 000 245
 000

KEY#	S C P H C G	PART CODE	DESCRIPTION	Q T Y	I S T C	T F	FROM	UPTO	REMARKS
1		6281-100-004-00	STARTER ASSY	1	1				
2		6281-111-004-00	YOKE, STARTER ASSY	1	2				
3		6281-119-006-00	KIT, STARTER/BRUSH ASSY	1	2				
4		6281-121-005-00	ARMATURE, STARTER ASSY	1	2				
5		6281-124-006-00	CLUTCH, STARTER ASSY	1	2				
6		6281-129-027-00	HOUSING, STARTER ASSY	1	2				
7		6281-115-006-00	FRAME, STARTER ASSY	1	2				
8		6281-118-004-00	HOLDER, BRUSH ASSY	1	2				
9		6281-127-001-00	LEVER, STARTER DRIVE	1	2				
10		6281-151-008-00	SWITCH, MAGNETIC ASSY	1	2				
11		6281-129-028-00	SCREW, WS	2	2				
12		6281-129-029-00	NUT	2	2				
13		6281-129-030-00	NUT	1	2				
14		6281-129-031-00	RING, SNAP	1	2				
15		6281-129-032-00	NUT, PINION STOP	1	2				
16		6281-115-007-00	COVER, FRAME END	1	2				
17		6281-129-033-00	SEAL, STARTER	1	2				
18		6281-129-034-00	SPRING, STARTER BRAKE	1	2				
19		6281-129-035-00	PLATE, LOCK	1	2				
20		6281-129-036-00	BOLT	2	2				
21		6909-150-508-00	WASHER, WS	1	2				
22		6909-110-408-00	NUT	1	2				
23		6281-129-037-00	COVER	1	2				



KEY#	S C P H C	S C	PART CODE	DESCRIPTION	Q T T Y	I S C C	HHH HHH HHH 444 444 EEE 888 888 245 CCC EEE 000 EEE 245 245 000 000	FROM	UPTO	REMARKS
1			1593-101-210-40	BRACKET, ENGINE/LH	1		000 000 000			
2			1593-101-220-40	BRACKET, ENGINE/RH	1		000 000 000			
3			V203-461-002-00	BOLT/M10X1.25X20	6		000 000 000			
4			V401-160-010-00	WASHER, SP/M10	6		000 000 000			
5			3737-172-011-00	CLAMP, HARNESS	1		000 000 000			
6			1593-101-003-20	INSULATOR	3		000 000 000			
7			V304-260-008-00	NUT/M 8	6		000 000 000			
8			V401-160-008-00	WASHER, SP/M 8	6		000 000 000			
9			3631-221-001-00	CUSHION, PEDAL/RUBBER	2		000 000 000			
10			V301-260-006-00	NUT/M 6	2		000 000 000			
11			V401-160-006-00	WASHER, SP/M 6	2		000 000 000			
12			1593-101-009-10	GUIDE/LH ENGINE	1		000 000 000			
13			1593-101-011-10	GUIDE/RH ENGINE	1		000 000 000			
14			1593-101-012-00	STOPPER	2		000 000 000			
15			V211-260-802-50	BOLT/S	4		000 000 000			

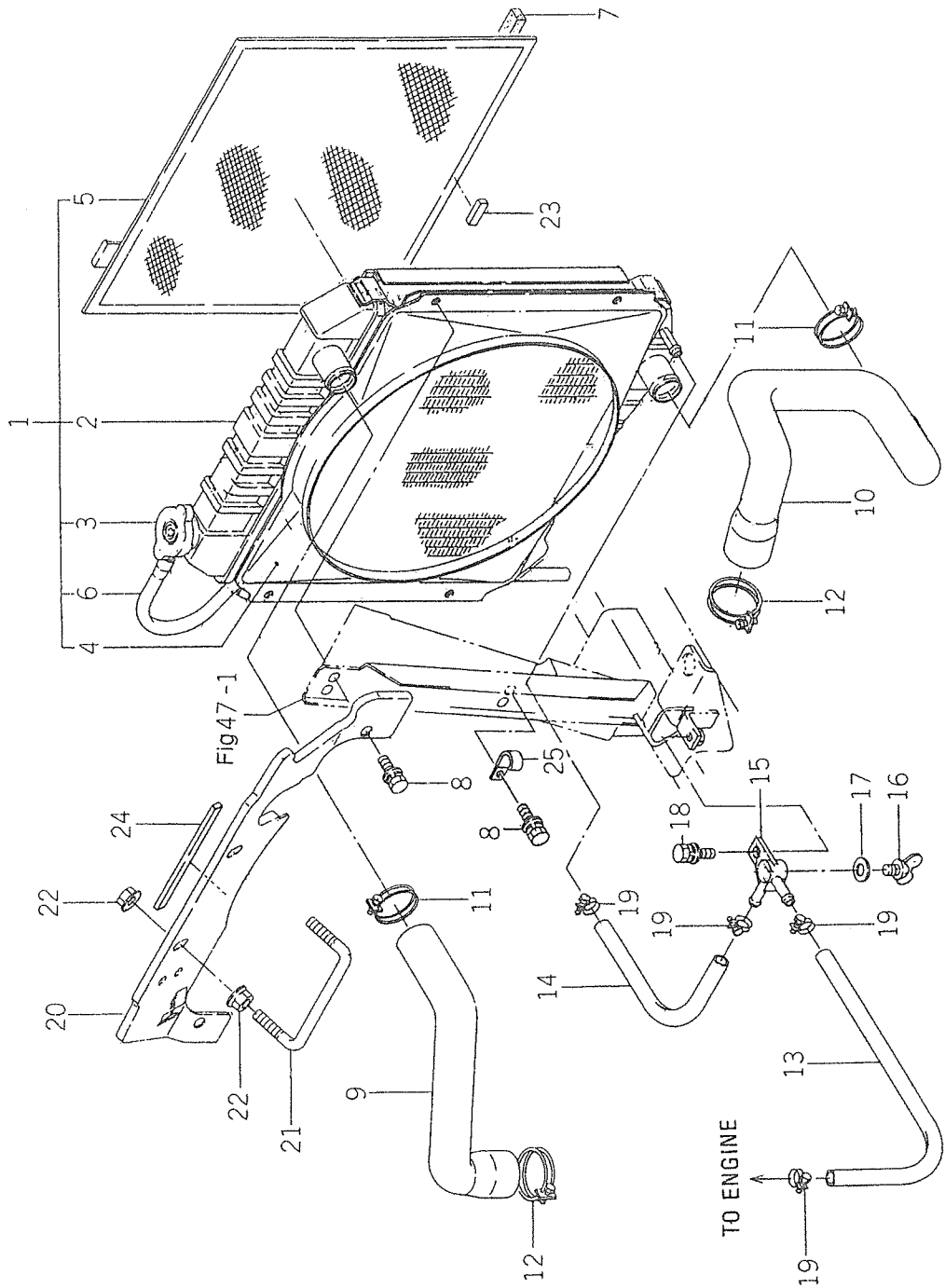


FIG #

20

P. 40

HHH HHH HHH
444 444 EBE
888 888 245
CCC EEE 000
EEE 245
245 000
000

KEY#	S C P H C G	PART CODE	DESCRIPTION	Q I S T T . Y C C	FROM	UPTO	REMARKS
1		1593-102-500-00	RADIATOR	1			
1A		1593-102-500-10	ASSY	1			
2		1593-102-500-10	ASSY	1	6	5	
3		1593-102-502-00	RADIATOR	1			
4		1593-102-503-00	RADIATOR	1			
5		1593-102-504-00	CAP	2			
6		1593-102-505-00	SHRUOD, FAN	1			
7		1593-102-005-30	PROTECTOR, FRONT	2			
8		V211-360-802-00	HOSE, VINYL	1			
9		1593-102-001-10	SEAL (15X10X340)	2			
10		1593-102-002-10	BOLT (SP) M8X20	4			
11		1480-102-007-00	HOSE, RADIATOR/UP	1			
12		1424-101-004-00	HOSE, RADIATOR/LW	1			
13		1593-102-003-20	CLAMP/40	2			
14		1593-102-004-20	CLAMP/45	2			
15		1560-104-010-40	HOSE/270	1			
16		1424-101-203-00	HOSE/210	1			
17		1424-101-204-00	CONNECTOR	1			
18		V211-360-802-00	PLUG	1			
19		1417-102-005-00	PACKING	1			
20		1593-102-006-40	BOLT (SP) M8X20	1			
21		1593-102-009-10	BAND, HOSE	4			
22		V363-260-010-00	PANEL, RADIATOR	1			
23		1593-102-011-00	HOOK, RADIATOR PANEL	1			
24		1593-102-012-00	NUT/M10	4			
25		1425-621-004-00	SEAL (10X05X27)	1			
			SEAL (10X05X130)	1			
			CLAMP, HARNESS	1			

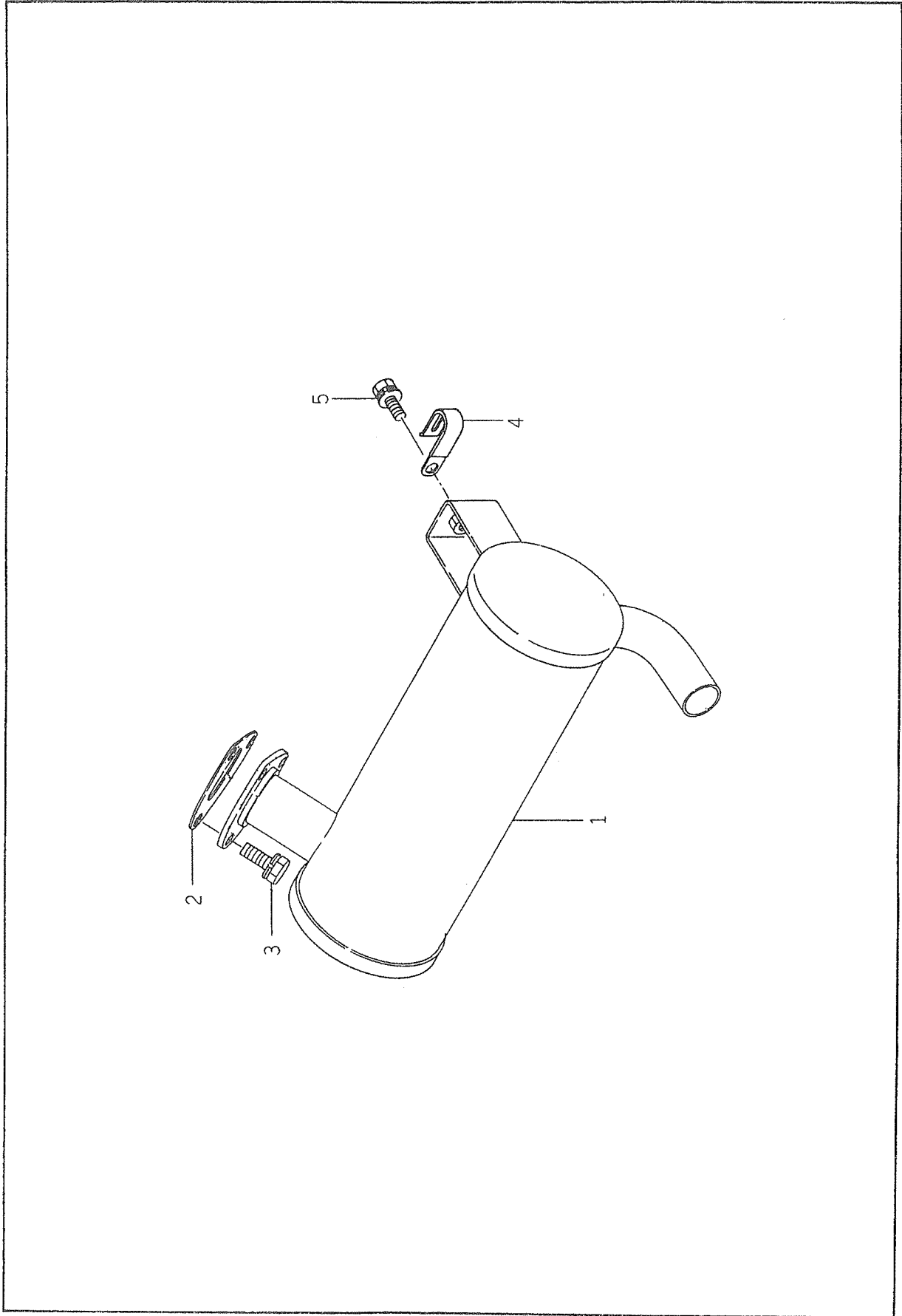
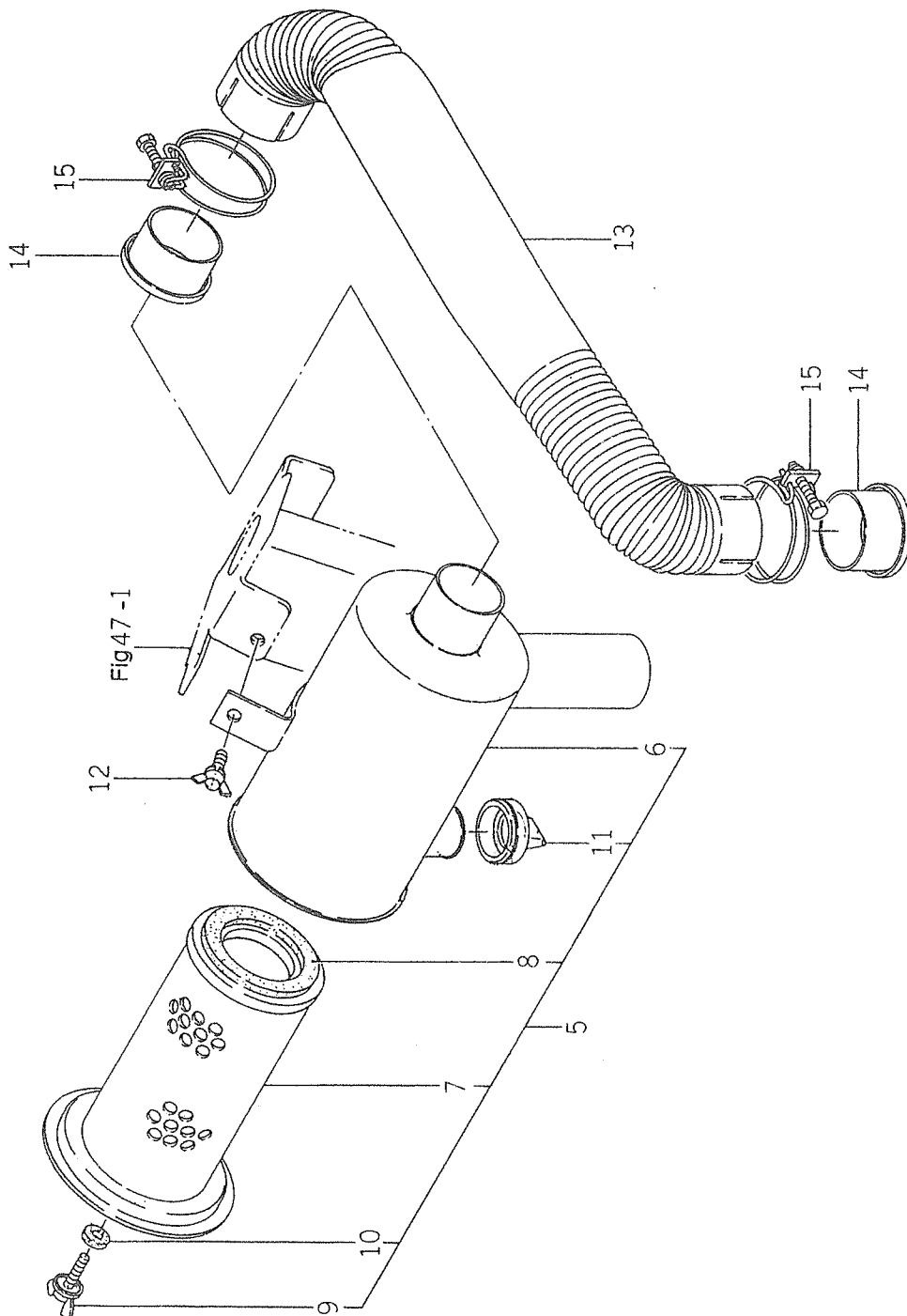


FIG # 21

P. 42

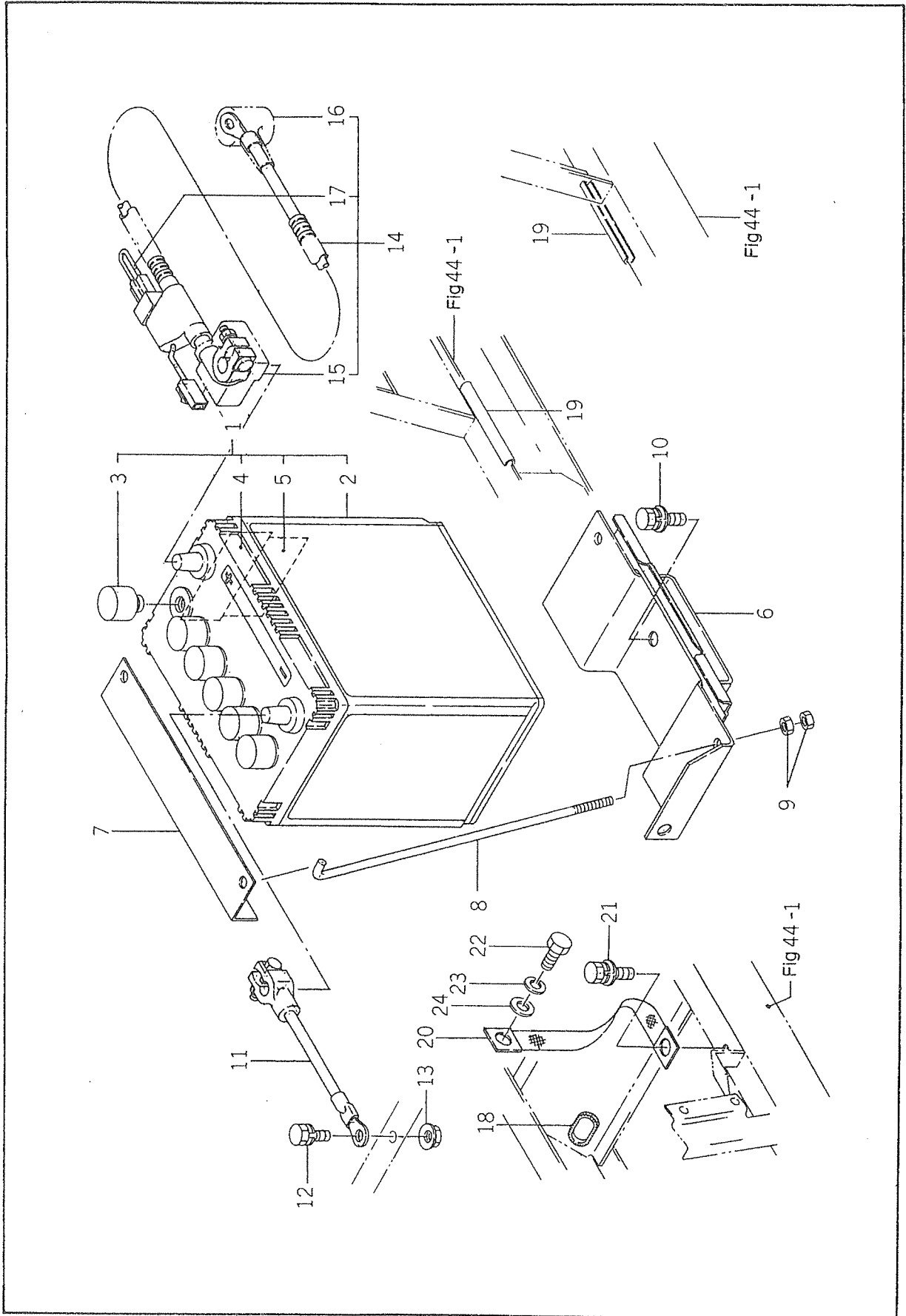
KEY#	SIC PH CG	PART CODE	DESCRIPTION	QTY	UNIT	ISS	HHH 444 888 CCC EEE 245 000	HHH 444 888 CCC EEE 245 000	T F	FROM	UPTO	REMARKS
1		1593-103-500-10	MUFFLER	1			000	000				
2		1593-103-053-10	GASKET, MUFFLER	1			000	000				
3		V211-561-002-00	BOLT/M10X20	3			000	000				
4		1425-621-004-00	CLAMP, HARNESS	1			000	000				
5		V211-660-802-00	BOLT/8X20	1			000	000				



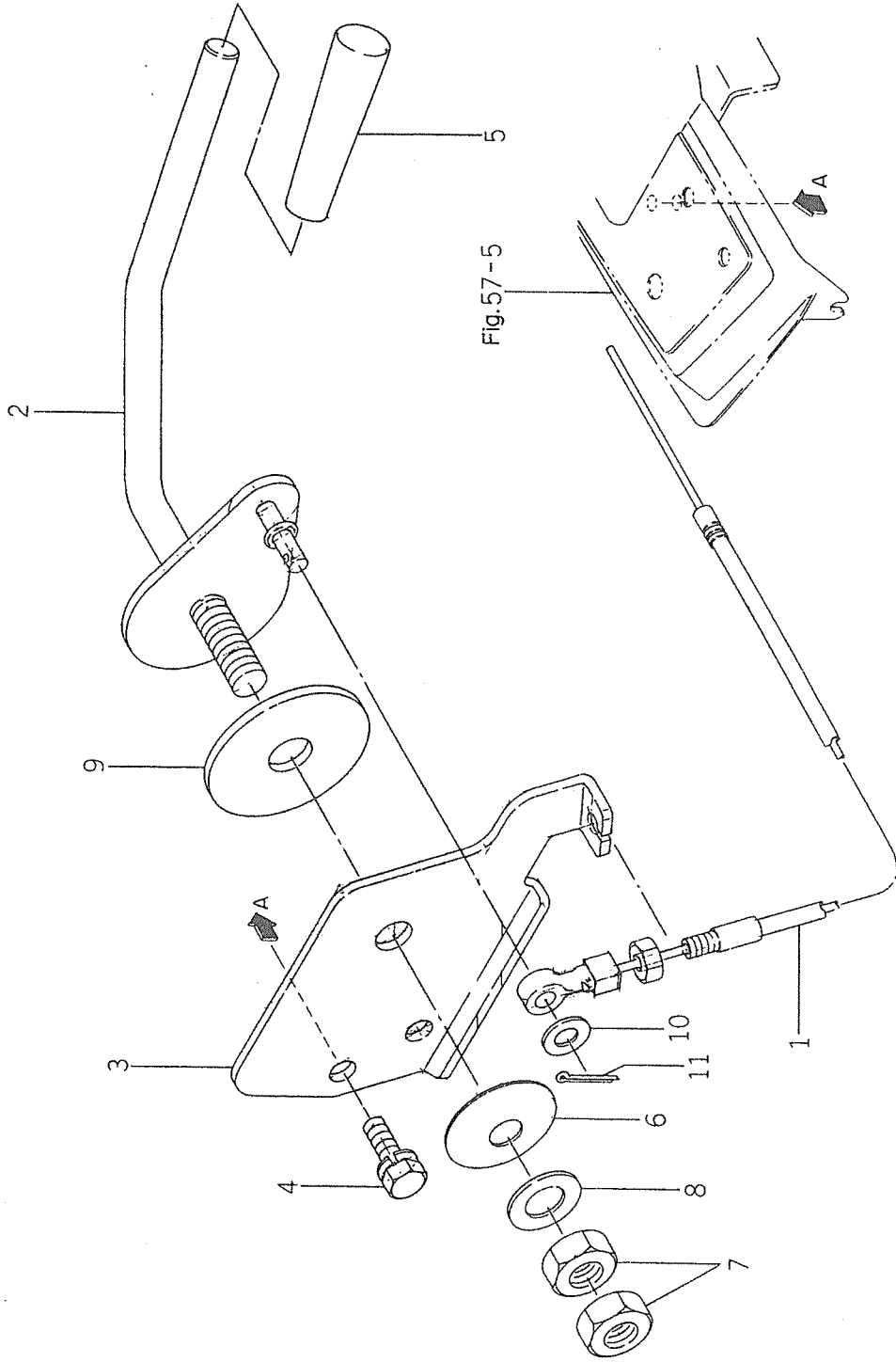
KEY#	S P C	C H G	PART CODE	DESCRIPTION	Q T Y	I T C	S	UNIT PRICE	TOTAL PRICE	FROM	UPTO	REMARKS
5			1593-104-500-00	CLEANER, AIR ASSY	1		1	000 000 000				
6				BODY	1	A	000 000 000					
7			1593-104-502-00	ELEMENT, PAPER	1		000 000 000					
8			1544-104-203-00	PACKING	1		000 000 000					
9			V271-160-602-50	BOLT/M6X25	1		000 000 000					
10			1544-104-204-00	PACKING	1		000 000 000					
11			1544-104-205-00	VALVE	1		000 000 000					
12			V273-260-802-00	BOLT, WING	1		000 000 000					
13			1593-104-001-30	HOSE, AIR CLEANER	1		000 000 000					
14			1593-104-004-00	SEAL, CLEANER	2		000 000 000					
15			3621-304-003-00	CLIP/ 56	2		000 000 000					

HHH HHH HHH
 444 444 EEE
 888 888 245
 CCC EEE 000
 EEE 245
 245 000
 000

KEY#	S C P H C G	PART CODE	DESCRIPTION	Q T Y	I T Y C C	HHH 444 888 CCC EEE 245 000	HHH 444 888 CCC EEE 245 000	FROM	UPTO	REMARKS
1		6213-200-002-10	FILTER, FUEL	1		000 000 000	000 000 000			
2		6219-755-001-00	HOLDER(FUELFILBER)	1		000 000 000	000 000 000			
3		V211-260-801-60	BOLT, SEMS(S)M8X16	1		000 000 000	000 000 000			
4		1588-105-210-00	PUMP, FUEL	1		000 000 000	000 000 000			
5		V120-366-001-60	SCREW/M6X16	2		000 000 000	000 000 000			
6		1608-105-220-10	HOSE/FUEL/MAIN ASSY	1		000 000 000	000 000 000			
6A		1608-105-220-30	HOSE/FUEL/MAIN ASSY	1	2	000 000 000	000 000 000			
7		1608-105-221-00	HOSE(1300)	1	1	000 000 000	000 000 000			
8		1608-105-222-10	HOSE(2020)	1	2	000 000 000	000 000 000			
9		3741-141-005-00	BAND, HOSE/12 ASSY	2		000 000 000	000 000 000			
9A		3741-141-005-00	BAND, HOSE/12 ASSY	3		000 000 000	000 000 000			
10		3741-141-006-00	BAND, HOSE	2		000 000 000	000 000 000			
11		1608-105-003-20	HOSE/06X12X115	1		000 000 000	000 000 000			
11A		1608-105-003-30	HOSE/06X12X115	1	3	000 000 000	000 000 000			
12		3741-141-005-00	BAND, HOSE	1		000 000 000	000 000 000			
13		1608-105-001-20	HOSE/100	1		000 000 000	000 000 000			
13A		1608-105-001-40	HOSE/225	1	3	000 000 000	000 000 000			
14		3741-141-005-00	BAND, HOSE	1		000 000 000	000 000 000			
15		1608-105-002-10	HOSE/350	1		000 000 000	000 000 000			
15A		1608-105-240-00	HOSE/350 ASSY	1	3	000 000 000	000 000 000			
16		3741-141-005-00	BAND, HOSE	1		000 000 000	000 000 000			
17		3741-141-006-00	BAND, HOSE	1		000 000 000	000 000 000			
18		1608-105-210-00	PLATE(FUELPUMP) COMP	1		000 000 000	000 000 000			
19		V211-261-002-00	BOLT, SEMS	2		000 000 000	000 000 000			
23		3741-141-006-00	BAND, HOSE	1		000 000 000	000 000 000			
24		1608-105-230-00	PLATE/ I/19X85 COMP	1	9	000 000 000	000 000 000			
26		3741-141-006-00	BAND, HOSE/D=13 ASSY	1	9	000 000 000	000 000 000			
27		3659-310-004-00	HOSE/ 07X13X120	1	9	000 000 000	000 000 000			
28		3643-586-001-00	LOINT T-TYPE/7-10	1	9	000 000 000	000 000 000			
29		3741-141-005-00	BAND, HOSE/ 12 ASSY	2	9	000 000 000	000 000 000			
30		3632-360-008-00	CLIP, HOSE/D=8	1	9	000 000 000	000 000 000			

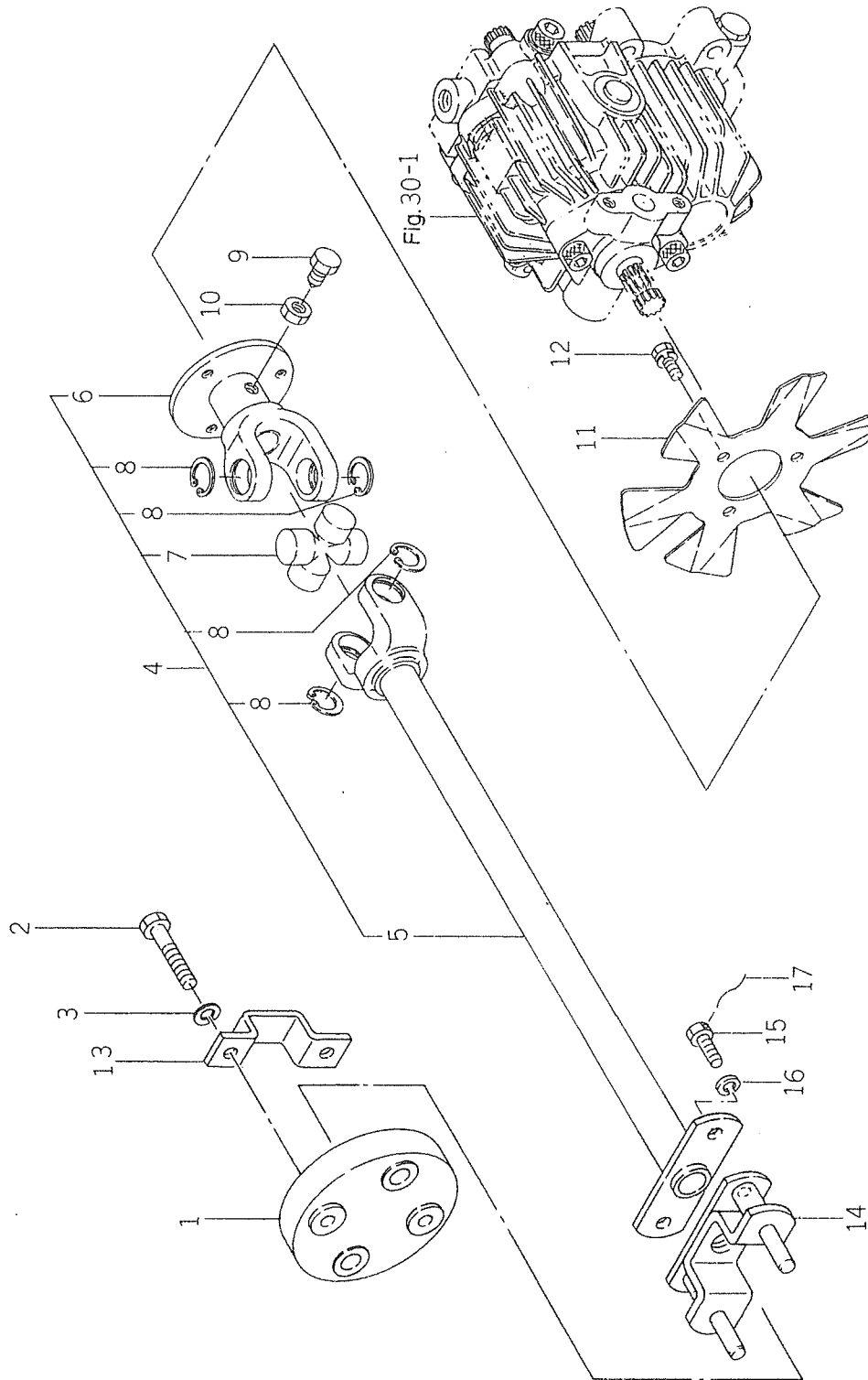


KEY#	S P C	C H G	PART CODE	DESCRIPTION	Q T Y	I T C	S C	HHH HHH HHH 444 444 EEE 888 888 245 CCC EEE 000 EEE 245 245 000 000	FROM	UPTO	REMARKS
1			1593-112-200-00	BATTERY.	1	1	1	000 000 000			
2				BATTERY.	1	A	000 000 000				
3			1427-621-002-10	CAP.BATTERY	1	2	000 000 000				
4				LABEL	1	A	000 000 000				
5				STICKER	1	A	000 000 000				
6			1593-112-510-30	PLATE.BATTERY	1	1	000 000 000				
7			1593-112-051-30	HOLDER, BATTERY	1	1	000 000 000				
8			1593-112-002-50	BOLT, BATTERY	2	000 000 000					
9			V301-260-006-00	NUT/M 6	4	000 000 000					
10			V211-360-802-00	BOLT(SP) M8X20	3	000 000 000					
11			1593-112-003-20	CABLE, EARTH	1	000 000 000					
12			V211-260-801-60	BOLT, SEMS (S) M8X16	1	000 000 000					
13			V363-260-008-00	NUT, LOCK/M8	1	000 000 000					
14			1593-112-520-00	CABLE, BATTERY	1	1	000 000 000				
15				COVER	1	A	000 000 000				
16				CAP	1	A	000 000 000				
17			3652-261-202-00	LINK, FUSIBLE	1	A	000 000 000				
18			1593-623-001-00	GROMMET	1	2	000 000 000				
19			1444-111-003-00	PROTECTOR, EDGE	1	000 000 000					
20			3626-276-003-00	CABLE, WIRE	1	000 000 000					
21			V211-361-002-00	BOLT, SEMS	1	000 000 000					
22			V203-461-002-00	BOLT/M10X1.25X20	1	000 000 000					
23			V401-160-010-00	WASHER, SP/M10	1	000 000 000					
24			V411-260-010-00	WASHER/M10	1	000 000 000					

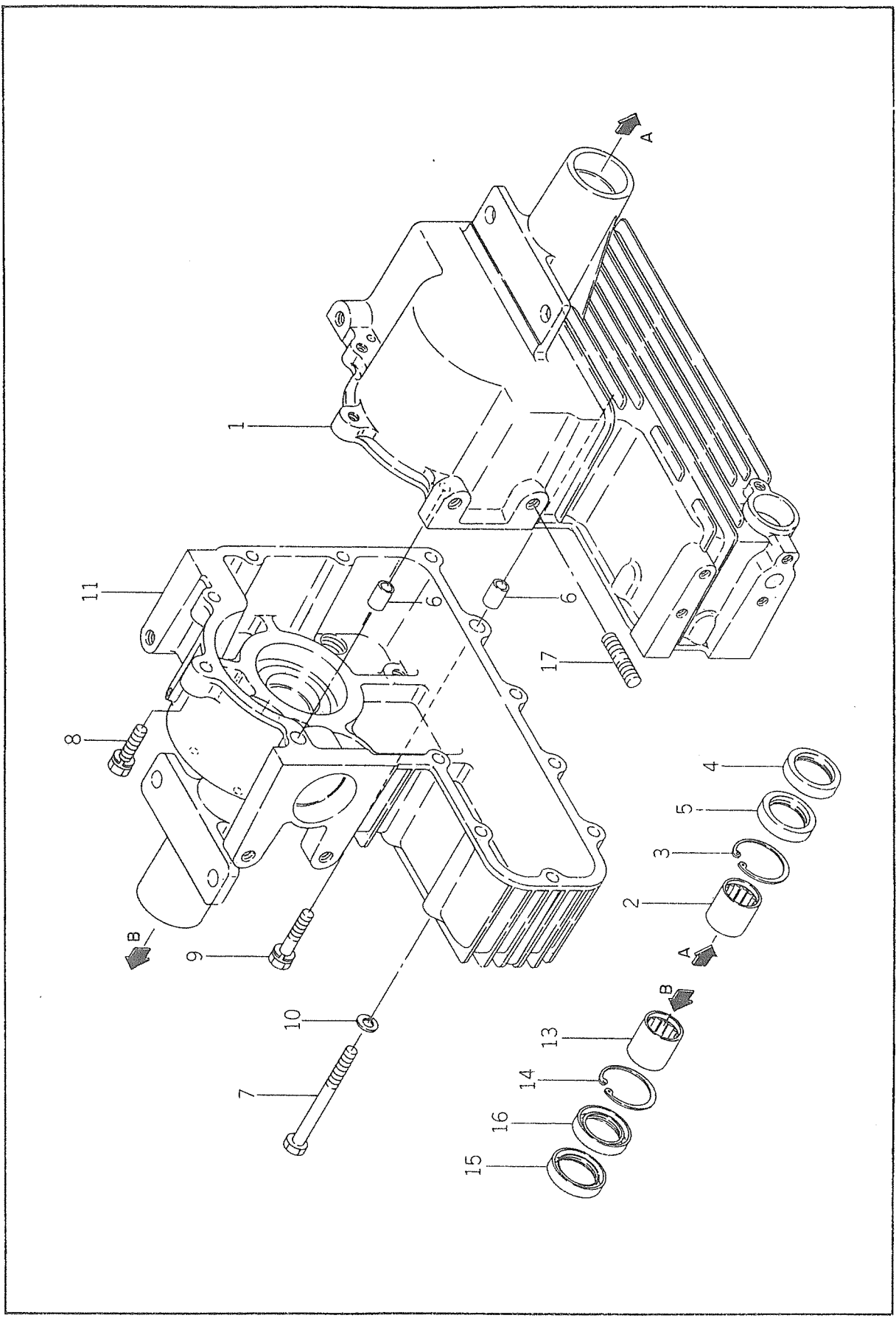


HHH HHH HHH
 444 444 EEE
 888 888 245
 CCC EEE 000
 EEE 245
 245 000
 000

KEY#	S P C	C H G	PART CODE	DESCRIPTION	Q T Y	I T C	S C	T P F	FROM	UPTO	REMARKS
1			1593-117-200-20	CABLE, AXLE	1						
2			1593-117-510-20	LEVER, AXLE	1						
3			1593-117-001-40	PLATE, AXLE	1						
4			V210-260-601-60	BOLT, SEMS (S)	2						
5			4106-105-303-00	KNOB	1						
6			1593-117-003-10	SPRING, DISK	1						
7			V304-260-010-00	NUT	2						
8			V411-260-010-00	WASHER/M10	1						
9			I414-117-005-00	LINING/13X50X3	1						
10			V411-260-006-00	WASHER / M6	1						
11			V500-162-501-50	PIN, SPLIT/2.5X15	1						

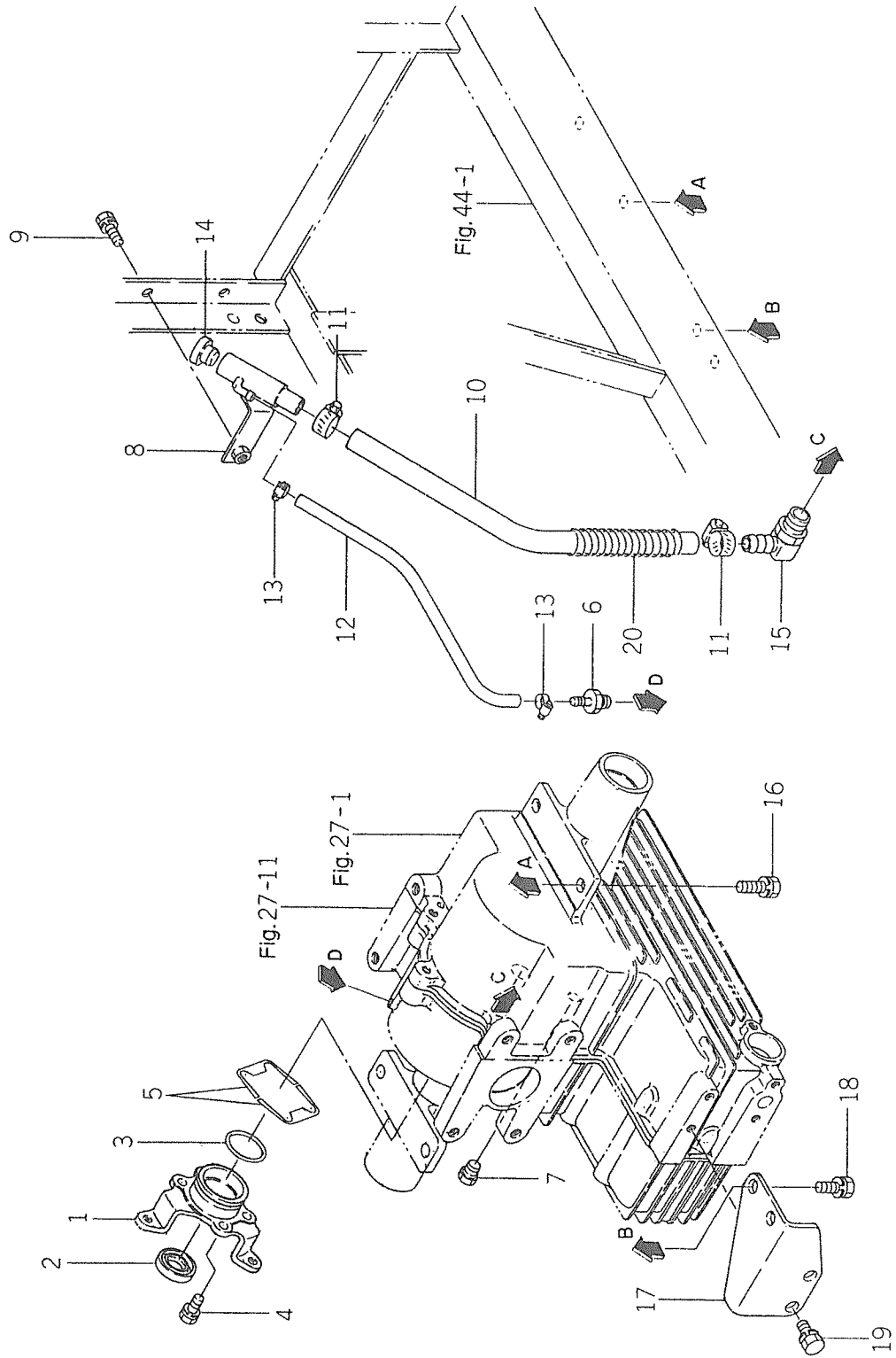


KEY#	S P C	C H C G	PART CODE	DESCRIPTION	Q T Y	I T C	S C	HHH 444 888 CCC EEE 245 000	HHH 444 888 CCC EEE 245 000	FROM	UPTO	REMARKS
1			1593-122-051-00	COUPLING	1			000 000 000				
2			V201-460-804-50	BOLT/M8X45	2			000 000 000				
3			V401-160-008-00	WASHER, SP/M 8	2			000 000 000				
4			1608-122-200-30	JOINT (UNIVERSAL) ASSY	1			000 000 000				
5			1608-122-210-10	JOINT (HST/F) COMP	1			000 000 000				
6			1608-122-220-10	JOINT (HST/R) COMP	1			000 000 000				
7			8592-011-204-00	JOURNAL KIT	1			000 000 000				
8			V705-140-020-00	RING, SNAP/20 C	4			000 000 000				
9			1608-122-001-00	BOLT (SET/M08X16)	1			000 000 000				
10			V304-260-008-00	NUT/M 8	1			000 000 000				
11			1608-122-002-10	FAN (HST)	1			000 000 000				
12			V210-260-601-20	BOLT, SEMS	3			000 000 000				
13			1608-122-003-00	PLATE/STOPPER	1			000 000 000		351		
14			1608-122-230-10	JOINT/COUPLING COMP	1			000 000 000		351		
15			1416-209-005-00	BOLT/M8X20	2			000 000 000		351		
16			V401-160-008-00	WASHER, SP/M 8	2			000 000 000		351		
17				WIRE/ 1.2X220	1		A	000 000 000		351		



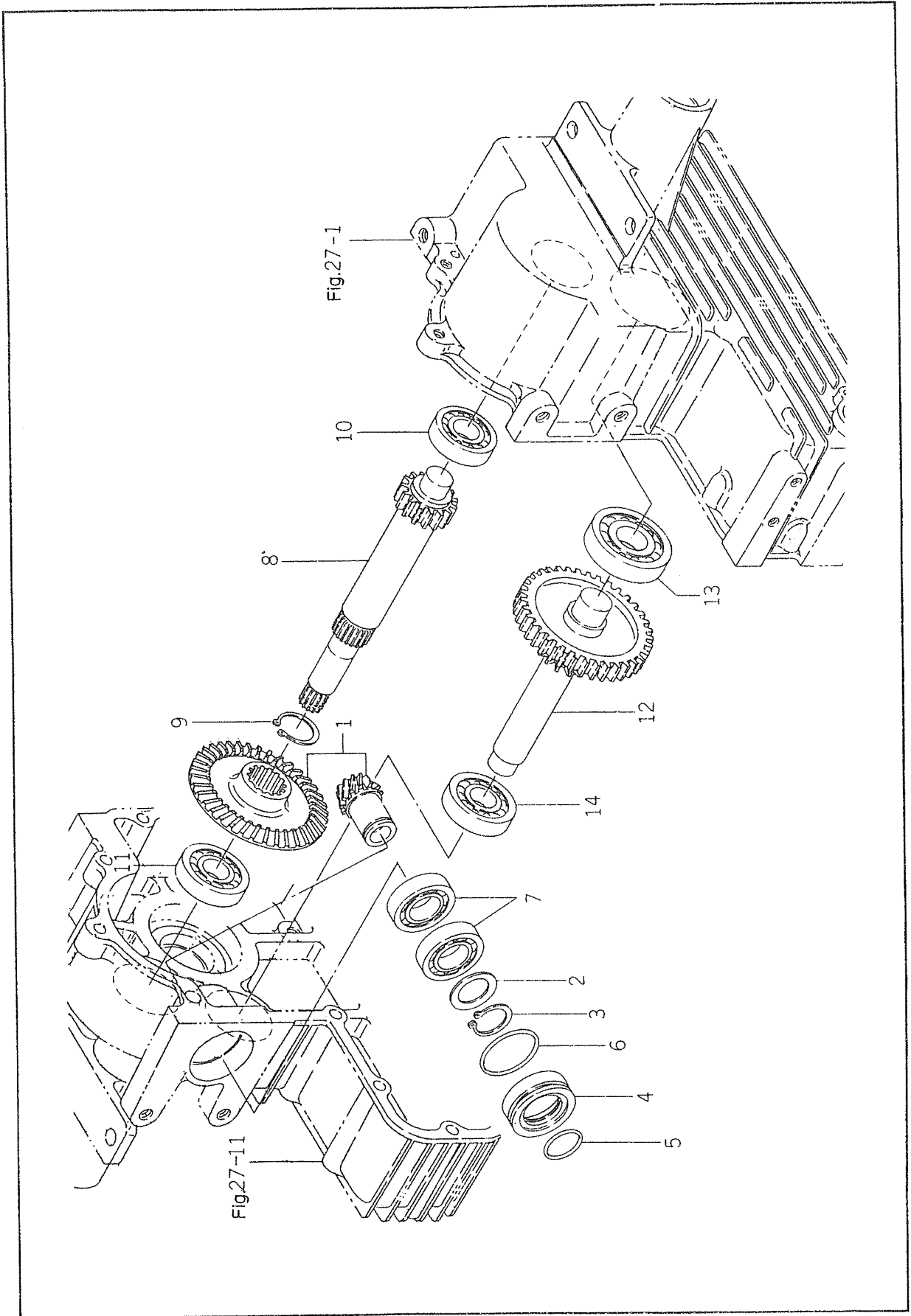
HHH HHH HHH
 444 444 EEE
 888 888 245
 CCC EEE 000
 EEE 245
 245 000
 000

KEY#	S P C	H C G	PART CODE	DESCRIPTION	Q T Y	I T Y	S C C	FROM	UPTO	REMARKS
1			1608-201-001-10	CASE/TRANSMISSION/LH	1					
1A			1608-201-001-30	CASE/TRANSMISSION/LH	1			116	115	
2			V653-430-403-00	BEARING,NR/TA3030Z	1	9				
3			V705-140-042-00	RING,SNAP/42 C	1					
4			V744-130-420-80	SEAL,OIL/TC30428	1	9				
5			V740-130-420-80	SEAL,OIL	1					
6			3737-113-005-00	PIN,KNOCK	2					
7			6901-045-895-00	BOLT/M8X95	6					
8			V211-260-803-00	BOLT,SEMS	6					
9			V211-260-804-00	BOLT,SEMS	1					
10			V401-160-008-00	WASHER,SP/M 8	6					
11			1608-201-002-20	CASE,TRANSMISSION/RH	1					
11A			1608-201-002-30	CASE,TRANSMISSION/RH	1			116	115	
13			V653-430-403-00	BEARING,NR/TA3030Z	1	9				
14			V705-140-042-00	RING,SNAP/42 C	1					
15			V744-130-420-80	SEAL,OIL/TC30428	1	9				
16			V740-130-420-80	SEAL,OIL	1					
17			V251-261-004-50	BOLT,STUD(SEAL)	1	9				



KEY#	S C	P H	C G	PART CODE	DESCRIPTION	Q T Y	I T T Y	S C C	HHH 444 888 CCC EEE 245 000	HHH 444 888 EEE 245 000	FROM	UPTO	REMARKS
1				1608-201-004-20	METAL, BRAKE	1			000 000 000	000 000 000			
2				V740-120-350-80	SEAL, OIL/SC20358	1			000 000 000	000 000 000			
3				V721-103-104-50	O-RING/G45	1			000 000 000	000 000 000			
4				V211-260-801-60	BOLT, SEMS (S)/M8X16	4			000 000 000	000 000 000			
5				1608-201-005-10	SHIM(BRAKEMETAL)	2			000 000 000	000 000 000			
6				2137-223-004-00	ADAPTER(STRAIGHT)	1			000 000 000	000 000 000			
7				7955-201-026-00	PLUG, DRAIN (1/4)	1			000 000 000	000 000 000			
8				1608-201-200-20	PLATE/FILLER	1			000 000 000	000 000 000			
9				V211-260-802-00	BOLT, SEMS (S)	1			000 000 000	000 000 000			
10				1608-201-006-10	HOSE/ 360	1			000 000 000	000 000 000			
10A				1608-201-006-20	HOSE/ 360	1	2		000 000 000	000 000 000			
11				1608-201-007-00	CLAMP, HOSE	2			000 000 000	000 000 000			
11A				3632-355-004-00	BAND/ 20	2			000 000 000	000 000 000			
12				1608-201-008-10	HOSE/ 320	1			000 000 000	000 000 000			
13				2142-111-006-00	CRIP, HOSE (9.5)	2			000 000 000	000 000 000			
14				2111-101-011-00	PLUG, OIL	1			000 000 000	000 000 000			
15				3631-353-001-10	ADAPTER (LOWPRESS)	1			000 000 000	000 000 000			
16				V211-561-002-50	BOLT/M10X25	4			000 000 000	000 000 000			
17				1608-201-011-10	PLATE(CASE)	1			000 000 000	000 000 000			
18				V211-561-002-00	BOLT/M10X20	2			000 000 000	000 000 000			
19				V211-561-001-60	BOLT(S) 7	2			000 000 000	000 000 000			
20				1608-201-013-00	SPRING(HCI35)	1			000 000 000	000 000 000			

GEAR (INPUT) SYSTEM



HHH HHH HHH
 444 444 EEE
 888 888 245
 CCC EEE 000
 EEE 245
 245 000
 000

KEY#	S P C	C H G	PART CODE	DESCRIPTION	Q T Y	I T Y	S T C	T F	FROM	UPTO	REMARKS
1			1608-203-200-00	GEAR, BEVEL/12-45 SET	1						
2			1593-203-058-20	COLLAR/25X35X02	1						
3			V704-140-025-00	RING, SNAP/25 C	1						
4			1608-203-002-00	HAB	1						
5			V721-103-103-00	O-RING/G30	1						
6			V721-103-104-50	O-RING/G45	1						
7			V600-110-600-50	BEARING, RB/6005	2				104	103	
8			1608-203-003-00	GEAR, SPAR/ 15	1						
8A			1608-203-003-20	GEAR, SPAR/ 15	1						
9			V704-140-028-00	RING, SNAP C	1						
10			V600-110-620-40	BEARING, RB/6204	1						
11			V600-110-620-50	BEARING, RB/6205	1						
12			1608-203-210-00	GEAR(T12-40)	1						
13			V600-110-630-50	BEARING, RB/6305	1						
14			V600-110-630-40	BEARING, RB/6304	1						

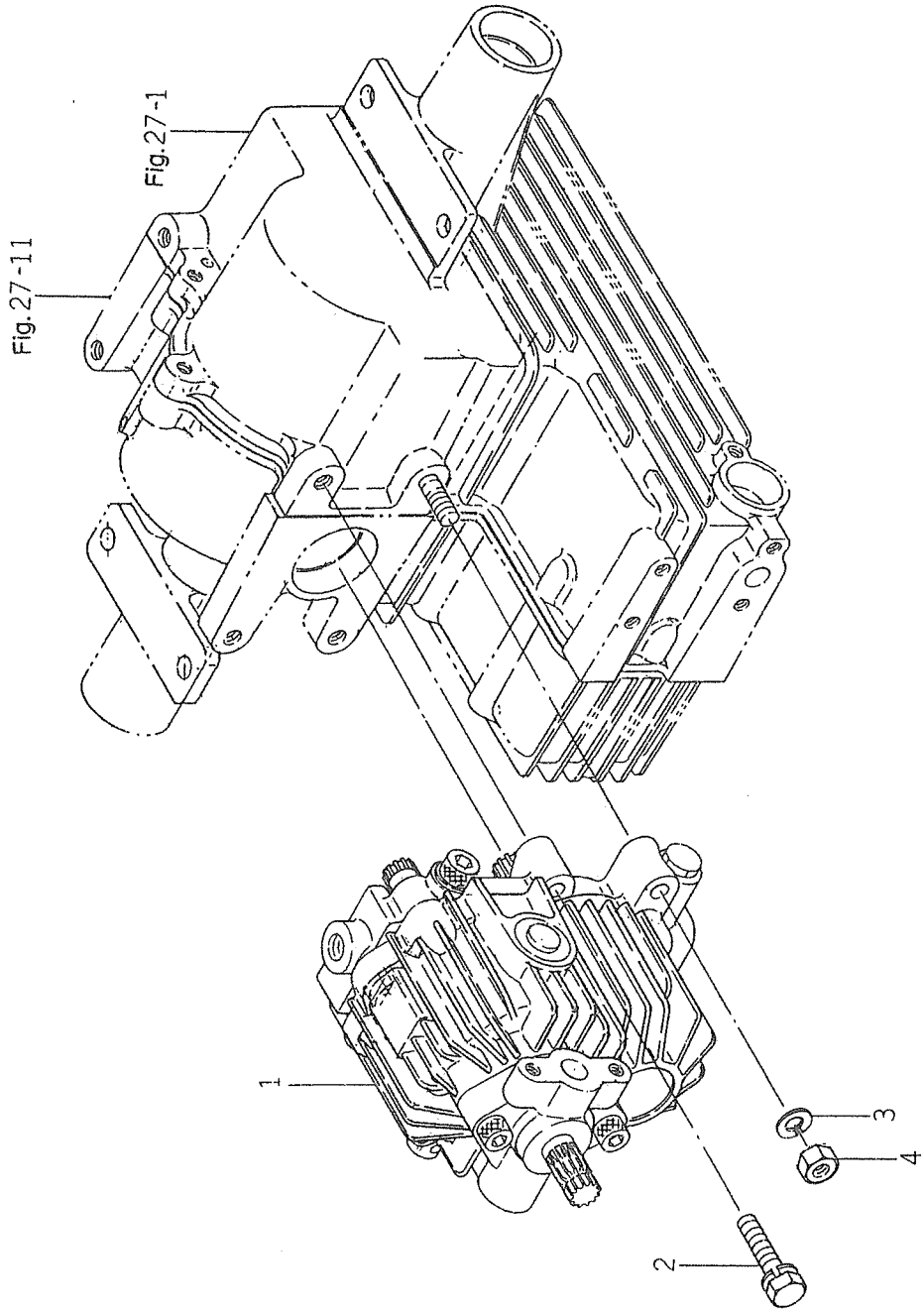


FIG # 30

P. 60

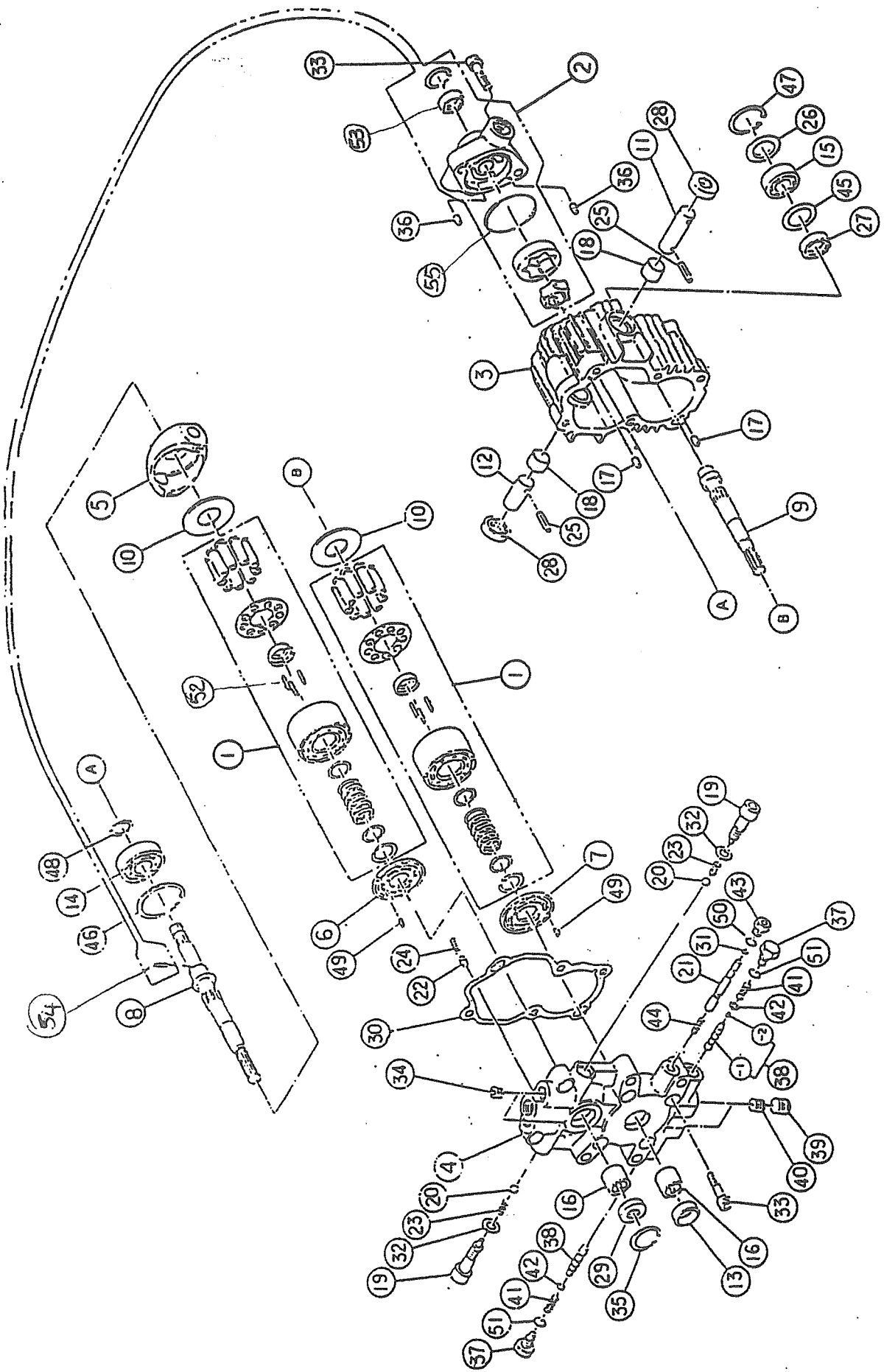
KEY#	S C P C G	PART CODE	DESCRIPTION	Q T Y	I T T C	HHH HHH HHH		T P	FROM	UPTO	REMARKS
						444 444 EEE	888 888 245				
1		1608-205-200-00	MS7	1		000 000 000					
2		V211-261-004-50	BOLT(S)/M10X40	3		000 000 000					
3		V401-160-010-00	WASHER, SP/M10	1		000 000 000					
4		V304-260-010-00	NUT	1		000 000 000					

HHH HHH HHH
444 444 EEE
888 888 245
CCC EEE 000
EEE 245
245 000
000

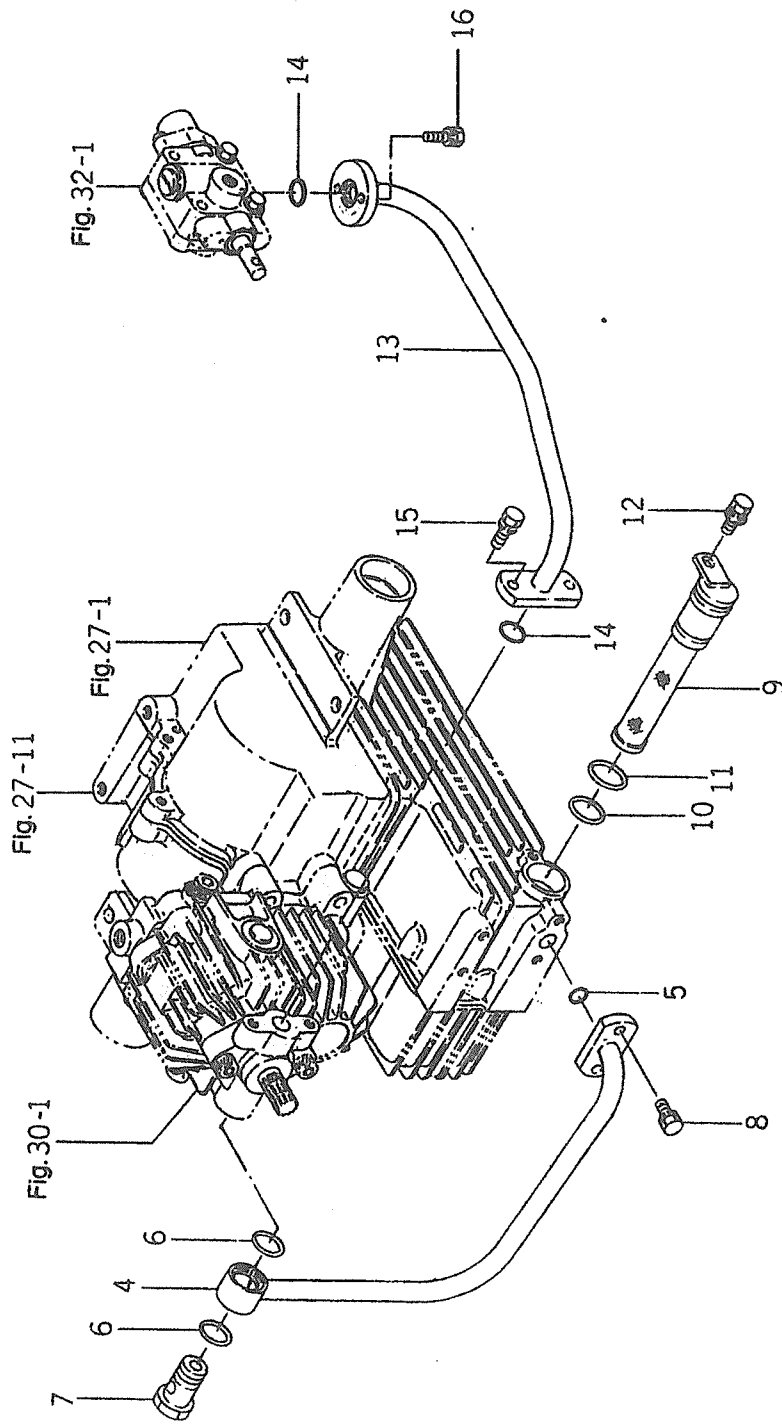
REF. 1 TRANSMISSION HYDROSTATIQUE SG 15

60-1

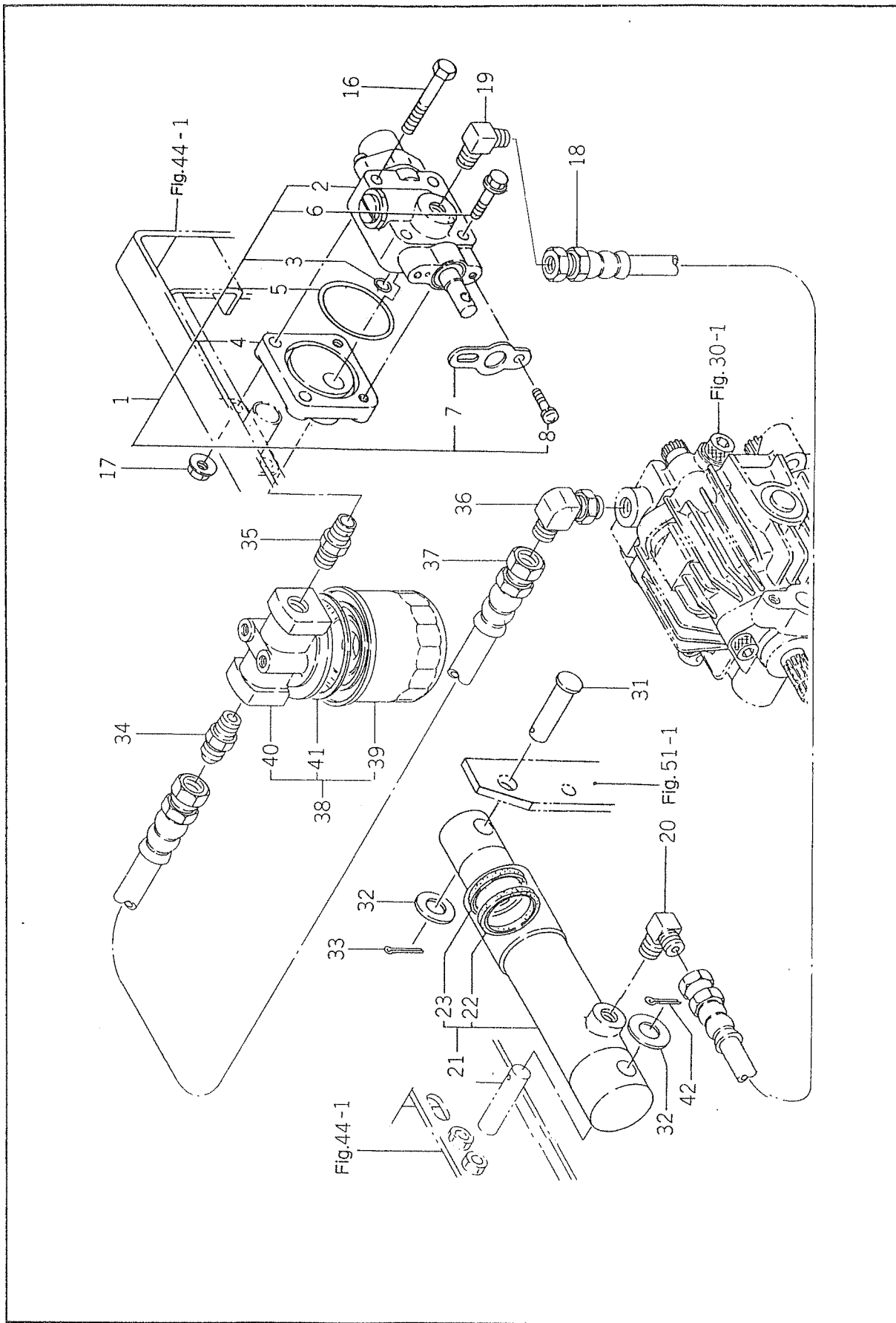
1608 205 2001 0

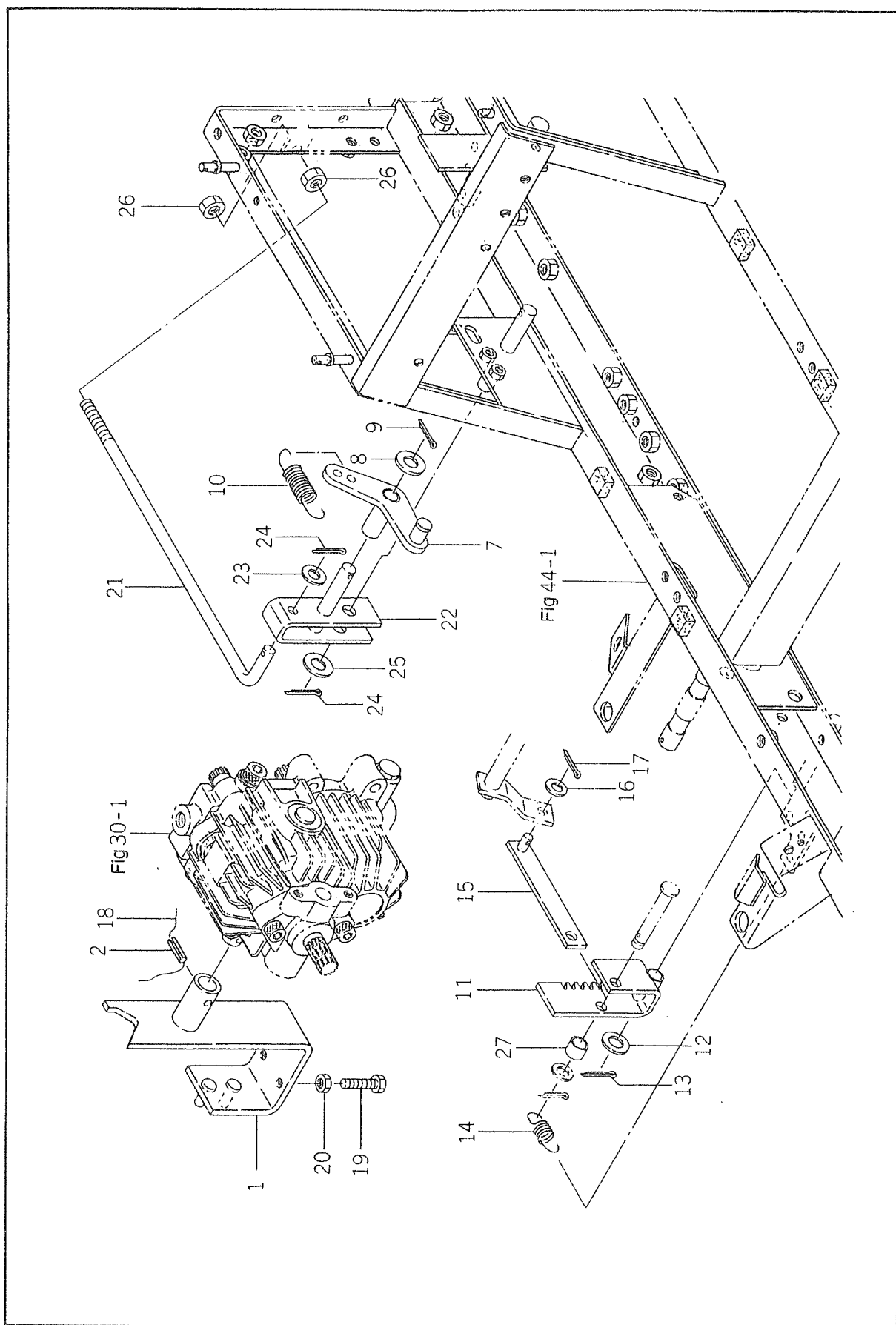


NO REPERE	RÉFÉRENCE	DESIGNATION	QTE
1 - 0	1608 205 2001 0	BOITIER HYDROSTATIQUE	1
1 - 1	1608 205 2600 0	BLOC CYLINDRE	2
1 - 2	1608 205 2800 0	POMPE D'ADMISSION	1
1 - 3	1608 205 2010 0	CARTER	1
1 - 4	1608 205 2020 0	BLOC LUMIERE	1
1 - 5	1608 205 2030 0	PANNEAU BISEAUTE	1
1 - 6	1608 205 2040 0	PLAQUE	1
1 - 7	1608 205 2050 0	PLAQUE	1
1 - 8	1608 205 2061 0	ARBRE	1
1 - 9	1608 205 2070 0	ARBRE	1
1 - 10	1608 205 2080 0	RONDELLE PLATE	2
1 - 11	1608 205 2090 0	AXE	1
1 - 12	1608 205 2110 0	AXE	1
1 - 13	1608 205 2120 0	COLLIER	1
1 - 14	1608 205 2130 0	ROULEMENT	1
1 - 15	1608 205 2140 0	ROULEMENT	1
1 - 16	1608 205 2150 0	CAGE A AIGUILLES	2
1 - 17	1608 205 2160 0	AXE	2
1 - 18	1608 205 2170 0	COUSSINET	2
1 - 19	1608 205 2180 0	BOUCHON	2
1 - 20	1608 205 2190 0	BILLE ACIER	2
1 - 21	1608 205 2210 0	SOUPAPE DE DECHARGEMENT	1
1 - 22	1608 205 2220 0	SOUPAPE DE SURETE	1
1 - 23	1608 205 2230 0	RESSORT	2
1 - 24	1608 205 2240 0	RESSORT	1
1 - 25	1608 205 2250 0	GOUPILLE RESSORT	2
1 - 26	1608 205 2260 0	CHAPEAU	1
1 - 27	1608 205 2270 0	BAGUE D'ETANCHEITE	1
1 - 28	1608 205 2280 0	BAGUE D'ETANCHEITE	2
1 - 29	1608 205 2290 0	BAGUE D'ETANCHEITE	1
1 - 30	1608 205 2310 0	JOINT	1
1 - 31	1608 205 2320 0	JOINT TORIQUE	1
1 - 32	1608 205 2330 0	BAGUE D'ASSEMBLAGE	2
1 - 33	1608 205 2340 0	DOUILLE	8
1 - 34	1608 205 2350 0	BOUCHON	2
1 - 35	V705 140 0300 0	COLLET D'AXE	1
1 - 36	1608 205 2370 0	AXE	2
1 - 37	1608 205 2380 0	BOUCHON	2
1 - 38	1608 205 2390 0	SOUPAPE	2
1 - 39	1608 205 2410 0	BOUCHON	2
1 - 40	1608 205 2420 0	OUVERTURE	2
1 - 41	1608 205 2430 0	RESSORT	2
1 - 42	1608 205 2440 0	RESSORT	2
1 - 43	1608 205 2450 0	BOUCHON	1
1 - 44	1608 205 2460 0	RESSORT	1
1 - 45	1608 205 2470 0	RONDELLE	1
1 - 46	V705 140 0520 0	COLLET D'AXE	1
1 - 47	V705 140 0400 0	COLLET D'AXE	1
1 - 48	V704 140 0200 0	COLLET D'AXE	1
1 - 49	V580 140 4010 0	AXE DE RESSORT	2
1 - 50	V720 111 9008 0	JOINT TORIQUE	1
1 - 51	V720 112 4011 0	JOINT TORIQUE	2
1 - 52	1608 205 2650 0	GOUPILLE	6
1 - 53	1608 205 2840 0	BAGUE	1
1 - 54	1608 205 2830 0	GOUPILLE	1
1 - 55	1608 205 2850 0	JOINT TORIQUE	1



KEY#	S C P C H C G	PART CODE	DESCRIPTION	Q T Y	J T C	S T C	HHH HHH 444 888 CCC EEE 245 000	HHH HHH 444 888 EEE EEE 245 000	T F	FROM	UPTO	REMARKS
4		1608-206-200-20	PIPE, SUCTION COMP	1			000 000 000	000 000 000				
5		V720-102-401-80	O-RING/P18	1			000 000 000	000 000 000				
6		V720-102-402-20	O-RING/P22	2			000 000 000	000 000 000				
7		1608-206-001-00	BOLT(CONNECTER/P11/2	1			000 000 000	000 000 000				
8		V211-260-801-60	BOLT, SEMS (S) M8X16	2			000 000 000	000 000 000				
9		1435-201-220-00	FILTER, SUCTION(HST)	1			000 000 000	000 000 000				
10		V720-103-502-40	O-RING/P24	1			000 000 000	000 000 000				
11		V720-103-502-60	O-RING/P26	1			000 000 000	000 000 000				
12		V211-360-801-60	BOLT, SEMS (SP)	1			000 000 000	000 000 000				
13		1608-206-210-10	PIPE, BUST COMP	1			000 000 000	000 000 000				
14		V720-102-401-80	O-RING/1A, P18	2			000 000 000	000 000 000				
15		V211-260-802-00	BOLT, SEMS (S)	2			000 000 000	000 000 000				
16		V210-260-602-00	BOLT, SEMS (S)	2			000 000 000	000 000 000				

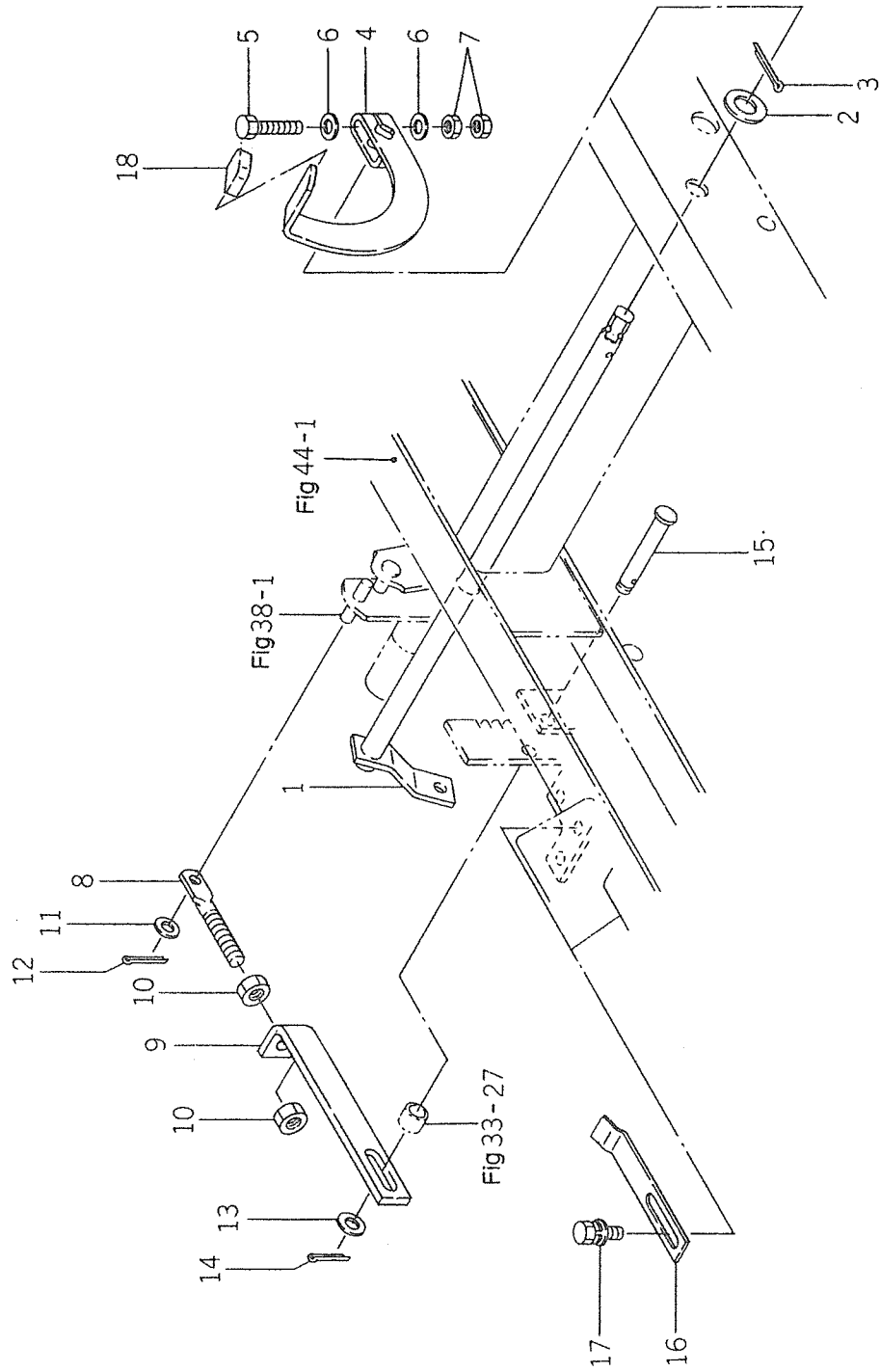




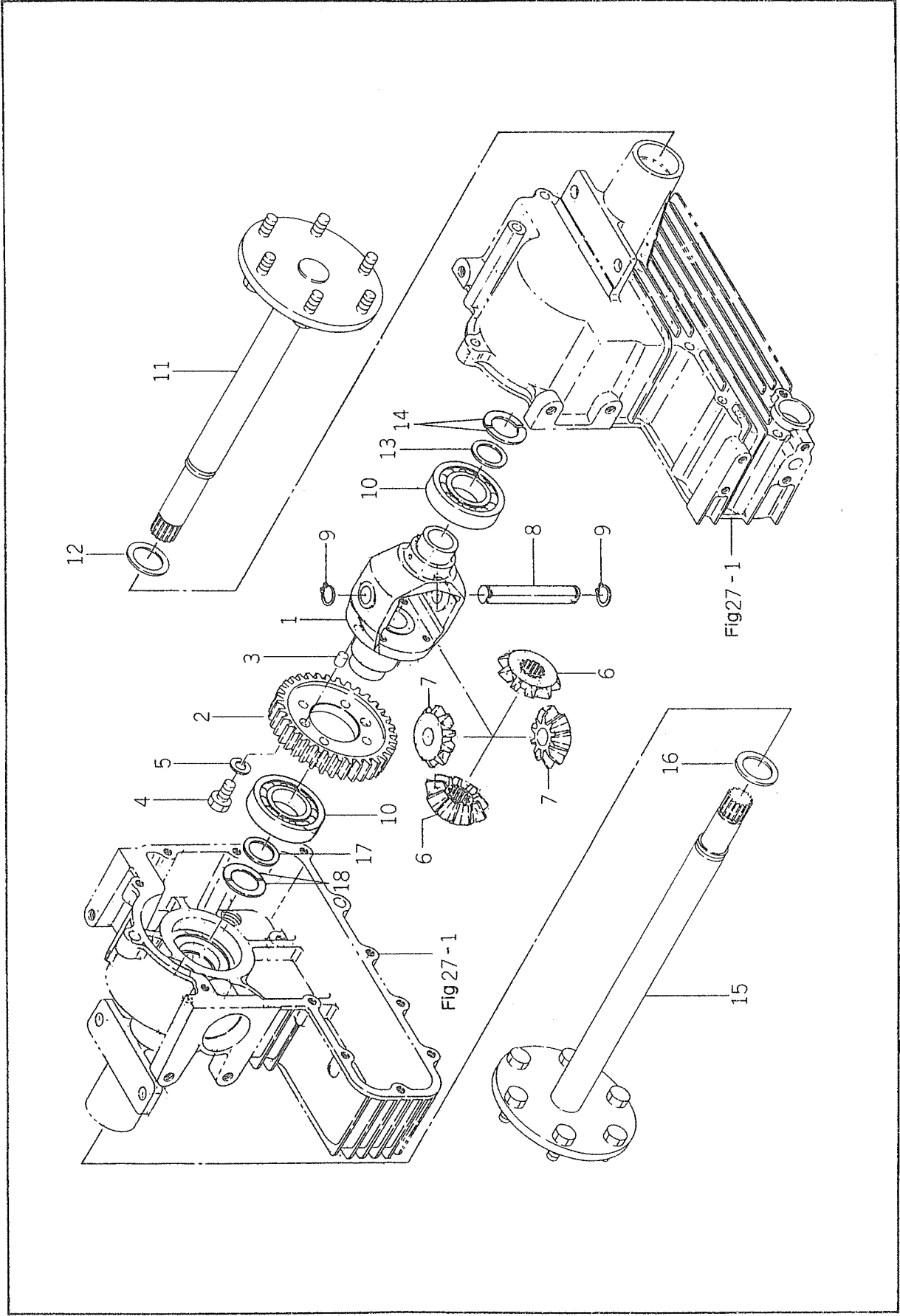
HHH HHH HHH
 444 444 EEE
 888 888 245
 CCC EEE 000
 EEE 245
 245 000
 000

KEY#	S P C	C H C	P A R T C O D E	D E S C R I P T I O N	Q T Y	I T E M S	T O T A L	F R O M	U P T O	R E M A R K S
1			1608-207-200-20	PLATE/TRANIN COMP	1		000 000 000			
1A			1608-207-200-30	PLATE/TRANION COMP	1		000 000 000			
2			V580-140-602-50	PIN, SPRING/6 X25 W	1		000 000 000			
7			1608-207-220-20	LOCK(NEUPRAL) COMP	1		000 000 000			
8			V411-260-012-00	WASHER /M12	1		000 000 000			
9			V500-163-002-00	PIN, SPLIT/3 X20	1		000 000 000			
10			3656-115-001-00	SPRING(HE085)	1		000 000 000			
11			1608-207-230-00	PLATE(HOOK) COMP	1		000 000 000			
12			V411-260-012-00	WASHER /M12	1		000 000 000			
13			V500-163-002-00	PIN, SPLIT/3 X20	1		000 000 000			
14			3631-671-003-00	SPRING, ROD COVER	1		000 000 000			
15			1608-207-280-10	PLATE(I/22X134) COMP	1		000 000 000			
16			V411-260-008-00	WASHER, PL/M 8	1		000 000 000			
17			V500-163-001-50	PIN, SPLIT/3 X15	1		000 000 000			
18				WIRE/1.2X100	1	A	000 000 000			
19			V201-260-803-50	BOLT/M 8X35	2		000 000 000			
20			V304-260-008-00	NUT/H 8	2		000 000 000			
21			1608-207-011-00	LOD(NEUTRAL)	1		000 000 000			
22			1608-207-210-20	PIN(NEUTRAL) COMP	1		000 000 000			
23			V411-260-010-00	WASHER/M10	1		000 000 000			
24			V500-163-002-00	PIN, SPLIT/3 X20	2		000 000 000			
25			V411-260-012-00	WASHER /M12	1		000 000 000			
26			V304-260-010-00	NUT	2		000 000 000			
27			1608-207-012-00	COLLAR (12X16X12)	1		000 000 000			

KEY#	S P C	C H G	PART CODE	DESCRIPTION	Q T C	I T C	S T C	HHH HHH HHH 444 444 EEE 888 888 245 CCC EEE 000 EEE 245 245 000 000	FROM	UPTO	REMARKS
1			1608-207-240-20	ARM(HST/F)COMP	1			000 000 000			
2			V762-150-000-00	NIPPLE, GREASE/B-H6F	1			000 000 000			
3			1608-207-310-00	ROD(HST/F)COMP	1			000 000 000			
4			V411-260-008-00	WASHER, PL/M 8	2			000 000 000			
5			V500-163-001-50	PIN, SPLIT/3 X15	2			000 000 000			
6			1608-207-250-20	ARM(HST/REVERSE)COMP	1			000 000 000			
7			V762-150-000-00	NIPPLE, GREASE/B-H6F	1			000 000 000			
8			V411-260-020-00	WASHER/M20	1			000 000 000			
9			V500-164-003-00	PIN, SPLIT/4 X30	1			000 000 000			
10			1608-207-003-20	LOD(HST/REVERSE)	1			000 000 000			
11			1608-207-004-10	PLATE(L/22X100)	1			000 000 000			
12			V411-260-008-00	WASHER, PL/M 8	2			000 000 000			
13			V500-163-001-50	PIN, SPLIT/3 X15	2			000 000 000			
14			V304-260-010-00	NUT	2			000 000 000			
15			1608-207-260-20	PEDAL (HST)COMP	2			000 000 000			
16			V211-260-802-00	BOLT, SEHS (S)	2			000 000 000			
18			V401-160-006-00	WASHER, SP/M 6	1			000 000 000			
19			V401-160-006-00	WASHER, SP/M 6	1			000 000 000			
20			1608-207-004-10	PLATE(L/22X100)	1			000 000 000			
21			V304-260-010-00	NUT	2			000 000 000			
22			1608-207-014-00	PAD(HST)	2			000 000 000			

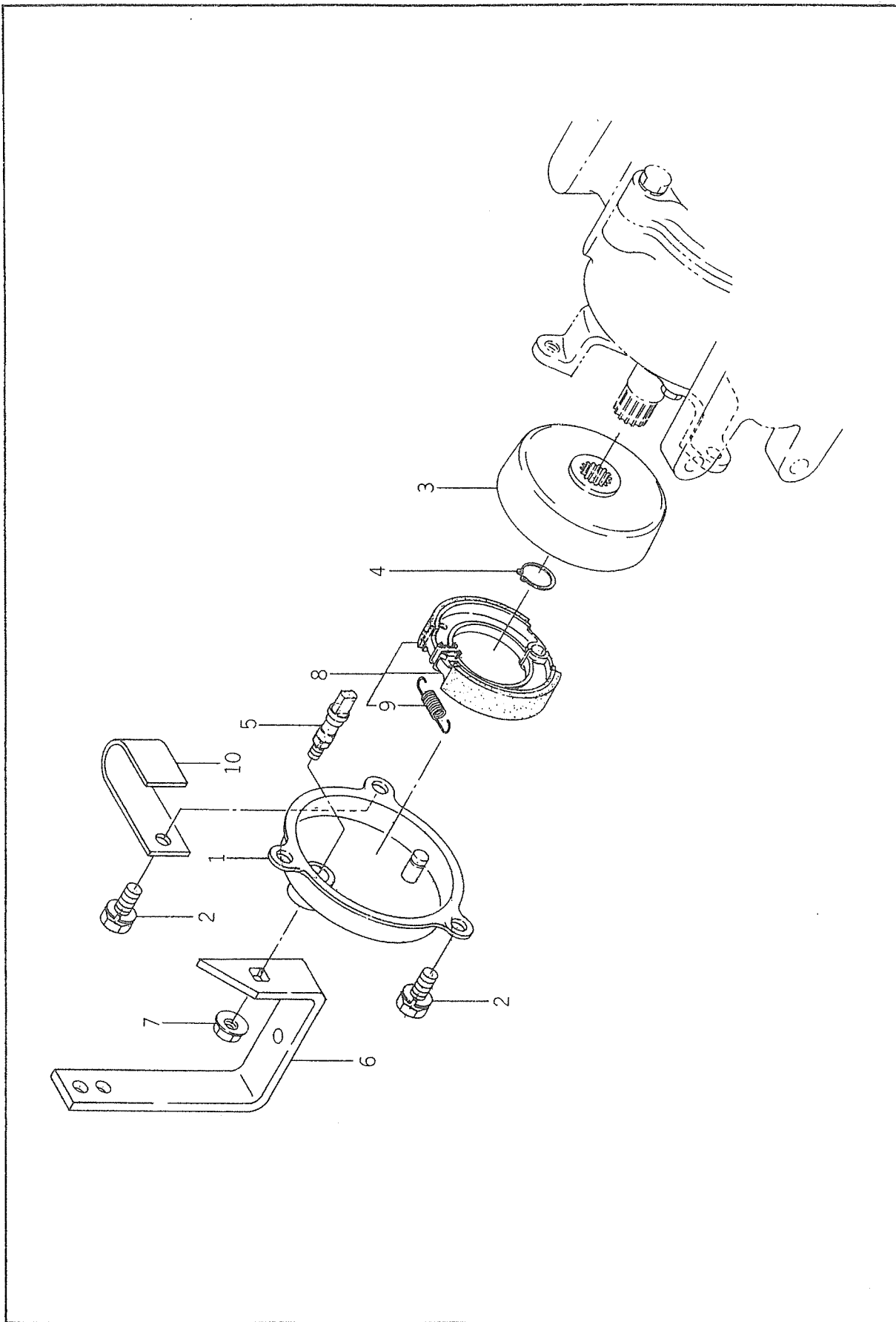


KEY#	S C	H P	C G	PART CODE	DESCRIPTION	Q T Y	T T Y	S C C	HHH 444 888 CCC EEE 245 000	HHH 444 888 CCC EEE 245 000	FROM	UPTO	REMARKS
1				1608-207-270-10	SHAFT (HOOK)	1			000 000 000	000 000 000			
2				V411-260-014-00	WASHER, PL/M14	1			000 000 000	000 000 000			
3				V500-163-002-50	PIN SPLIT/3 X25	1			000 000 000	000 000 000			
4				1608-207-290-00	ARM (HOOK)	1			000 000 000	000 000 000			
5				V201-260-805-00	BOLT/ M8X50	1			000 000 000	000 000 000			
6				V411-260-008-00	WASHER, PL/M 8	2			000 000 000	000 000 000			
7				V304-260-008-00	NUT/M 8	2			000 000 000	000 000 000			
8				1608-207-006-10	ROD (M10X85)	1			000 000 000	000 000 000			
9				1608-207-007-10	PLATE (L/32X178)	1			000 000 000	000 000 000			
10				V304-260-010-00	NUT	2			000 000 000	000 000 000			
11				V411-260-008-00	WASHER, PL/M 8	1			000 000 000	000 000 000			
12				V500-163-001-50	PIN SPLIT/3 X15	1			000 000 000	000 000 000			
13				V411-260-010-00	WASHER/M10	1			000 000 000	000 000 000			
14				V500-163-002-00	PIN SPLIT/3 X20	1			000 000 000	000 000 000			
15				1608-207-008-00	PIN (10X70)	1			000 000 000	000 000 000			
16				1608-207-009-20	PLATE (I/20X122)	1			000 000 000	000 000 000			
17				V211-360-801-60	BOLT, SEMS (SP)	2			000 000 000	000 000 000			
18				1593-101-012-00	STOPPER	1			000 000 000	000 000 000			



HHH HHH HHH
 444 444 EEE
 888 888 245
 CCC EEE 000
 EEE 245
 245 000
 000

KEY#	S P C	C H G	PART CODE	DESCRIPTION	Q T Y	I T Y	S C	FROM	UPTO	REMARKS
1			1593-304-051-20	CASE, DIFF	1					
2			1608-304-001-00	GEAR/T40	1					
3			1593-304-008-00	PIN(10X18)	2					
4			V203-461-002-50	BOLT/M10X25	4					
4A			1593-304-054-10	BOLT/ M10X1.25X25	4	2		296	295	
5			V401-160-010-00	WASHER, SP/M10	4					
6			1593-304-053-10	GEAR, BEVEL/12	2					
7			1593-304-055-10	PINION, BEVEL/11	2					
8			1593-304-057-10	PIN, DIFF PINION	1					
9			V704-140-016-00	RING, SNAP/16 C	2					
10			V600-110-620-70	BEARING, RB/6207	2					
11			1608-307-200-10	SHAFT/WHEEL, LH COMP	1					
12			1593-307-051-20	COLLAR/31X41X03	1					
13			1593-307-052-10	COLLAR/26X35X03	1					
14			1593-307-053-10	COLLAR, WHEEL THRUST	2					
15			1608-307-210-10	SHAFT/WHEEL, RH COMP	1					
16			1593-307-051-20	COLLAR/31X41X03	1					
17			1593-307-052-10	COLLAR/26X35X03	1					
18			1593-307-053-10	COLLAR, WHEEL THRUST	2					



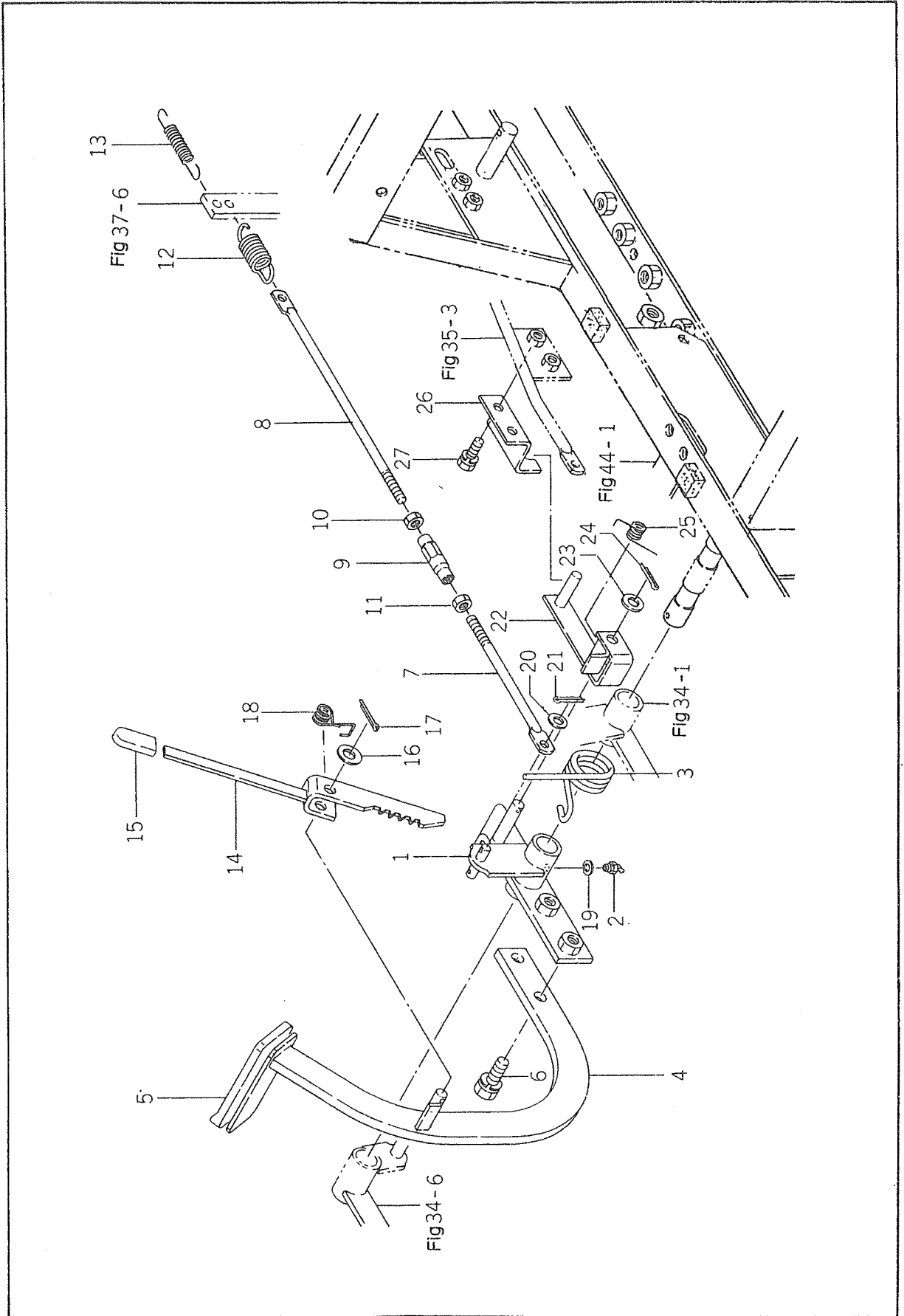
KEY#	S C P H C G	PART CODE	DESCRIPTION	Q T Y	I T Y C C	T F	FROM	UPTO	REMARKS
1		1608-310-200-10	COVER(BRAKE)COMP	1					
2		V211-260-801-60	BOLT,SEMS (S) M8X16	3					
3		1593-310-520-20	DRUM,BRAKE	1					
4		V704-140-017-00	RING,SNAP/ 17 C	1					
5		1593-310-054-20	PIN/15X47	1					
6		1608-310-001-30	ARM(BRAKE)	1					
7		V363-260-008-00	NUT, LOCK/M8	1					
8		1593-310-530-00	SHOE, BRAKE	1					
9		1323-220-012-00	SPRING, BRAKE SHOE	1					
10		1608-310-002-00	PLATE(UX27X71)	1					

HHH HHH HHH
 444 444 EEE
 888 888 245
 CCC EEE 000
 EEE 245
 245 000
 000

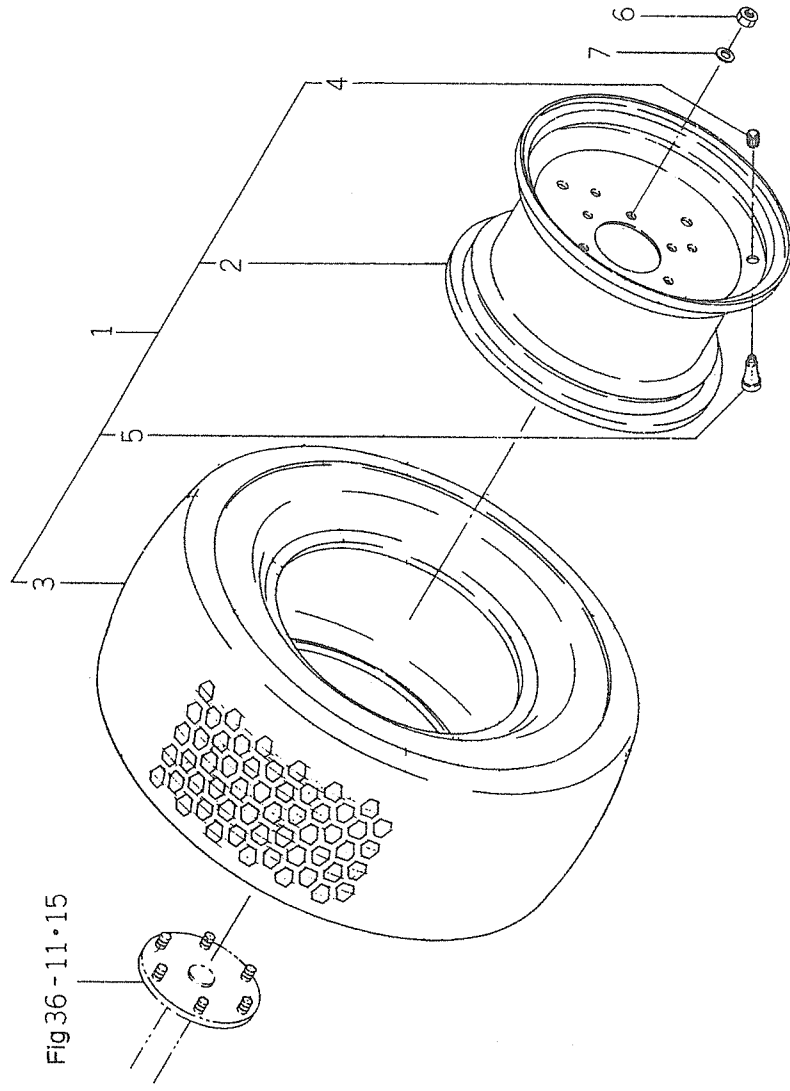
000 000 000
 000 000 000
 000 000 000
 000 000 000
 000 000 000
 000 000 000
 000 000 000
 000 000 000
 000 000 000
 000 000 000
 000 000 000

1
 3
 1
 1
 1
 1
 1
 1
 1
 1
 1

1
 2

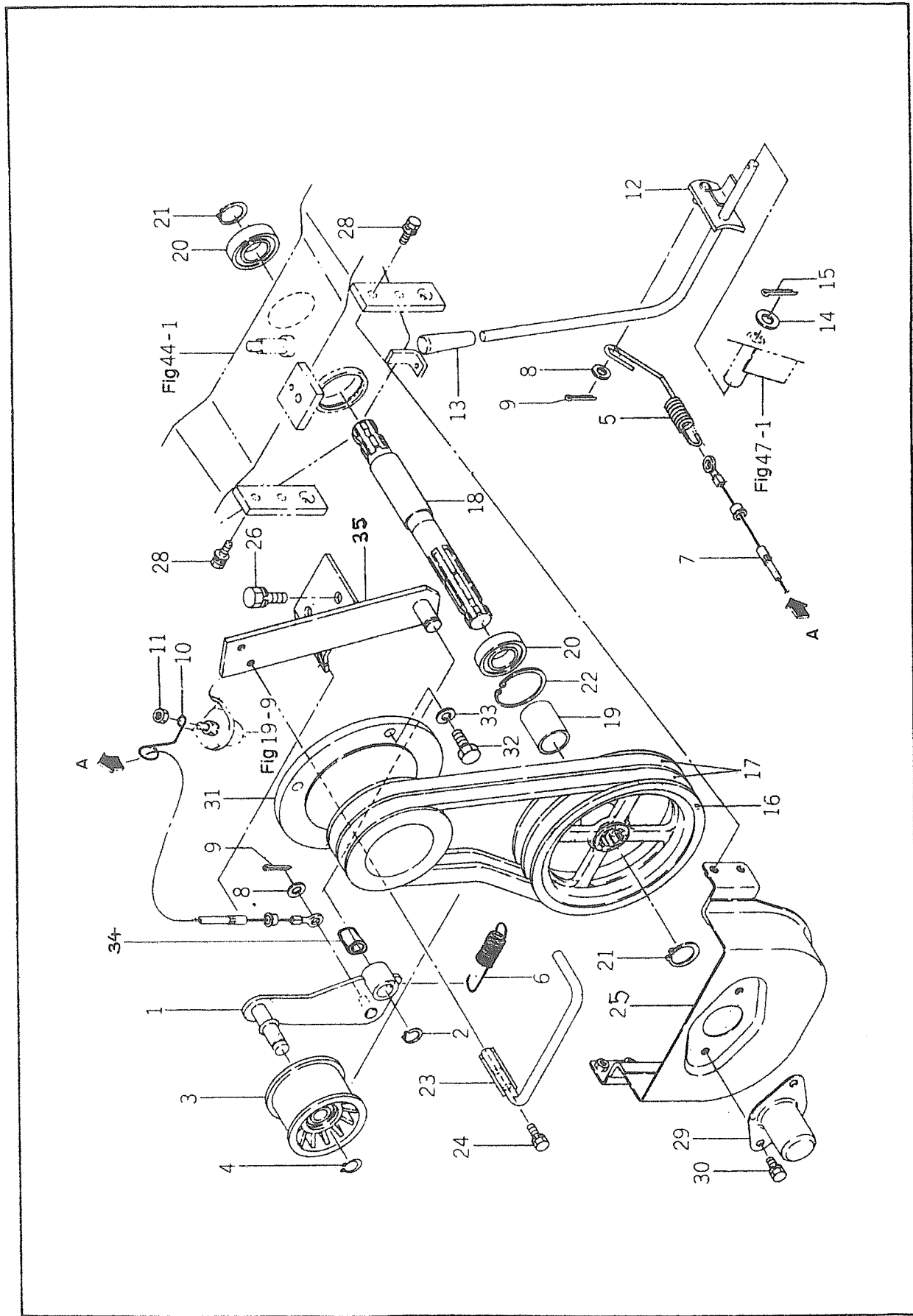


KEY#	S P C	C P H G	PART CODE	DESCRIPTION	Q T Y	I T C	S C	HHH 444 888 CCC EEE 245 000	HHH 444 888 EEE 245 000	HHH 444 888 EEE 245 000	T F	FROM	UPTO	REMARKS
1			1608-312-200-20	ARM(BRAKE) COMP	1			000 000 000						
2			V760-150-000-00	NIPPLE, GREASE/ A-M6F	1			000 000 000						
3			1608-312-005-00	SPRING (HT035)	1			000 000 000						
4			1608-312-210-20	ARM(PEDAL) COMP	1			000 000 000						
5			1524-122-001-00	PAD	1			000 000 000						
6			V211-261-002-50	BOLT(S) M10X25	2			000 000 000						
7			1608-312-002-10	ROD (M08X160)	1			000 000 000						
8			1608-312-003-30	ROD/ M08X260	1			000 000 000						
9			1444-122-002-00	TURNBUCKLE/M8	1			000 000 000						
10			V304-260-008-00	NUT/M 8	1			000 000 000						
11			1560-132-007-30	NUT/M8	1			000 000 000						
12			1337-401-006-00	SPRING	1			000 000 000						
13			1415-120-006-00	SPRING, TENSION/86	1			000 000 000						
14			1608-313-200-10	PLATE(PARKING) COMP	1			000 000 000						
15			3600-201-013-00	GRIP, BRAKE	1			000 000 000						
16			V411-260-010-00	WASHER/M10	1			000 000 000						
17			V500-163-002-00	PIN, SPLIT/3 X20	1			000 000 000						
18			1593-312-056-20	SPRING/HT013	1			000 000 000						
19			V401-160-006-00	WASHER, SP/M 6	1			000 000 000						
20			V411-260-008-00	WASHER, PL/M 8	1			000 000 000						
21			V500-163-001-50	PIN, SPLIT/3 X15	1			000 000 000						
22			1608-312-220-00	PLATE(BRAKELOCK) COMP	1			000 000 000						
23			V411-260-010-00	WASHER/M10	1			000 000 000						
24			V500-163-002-00	PIN, SPLIT/3 X20	1			000 000 000						
25			1593-312-056-20	SPRING/HT013	1			000 000 000						
26			1608-312-006-10	PLATE/LOCK	1			000 000 000						
27			V211-260-802-00	BOLT, SEMS (S)	2			000 000 000						

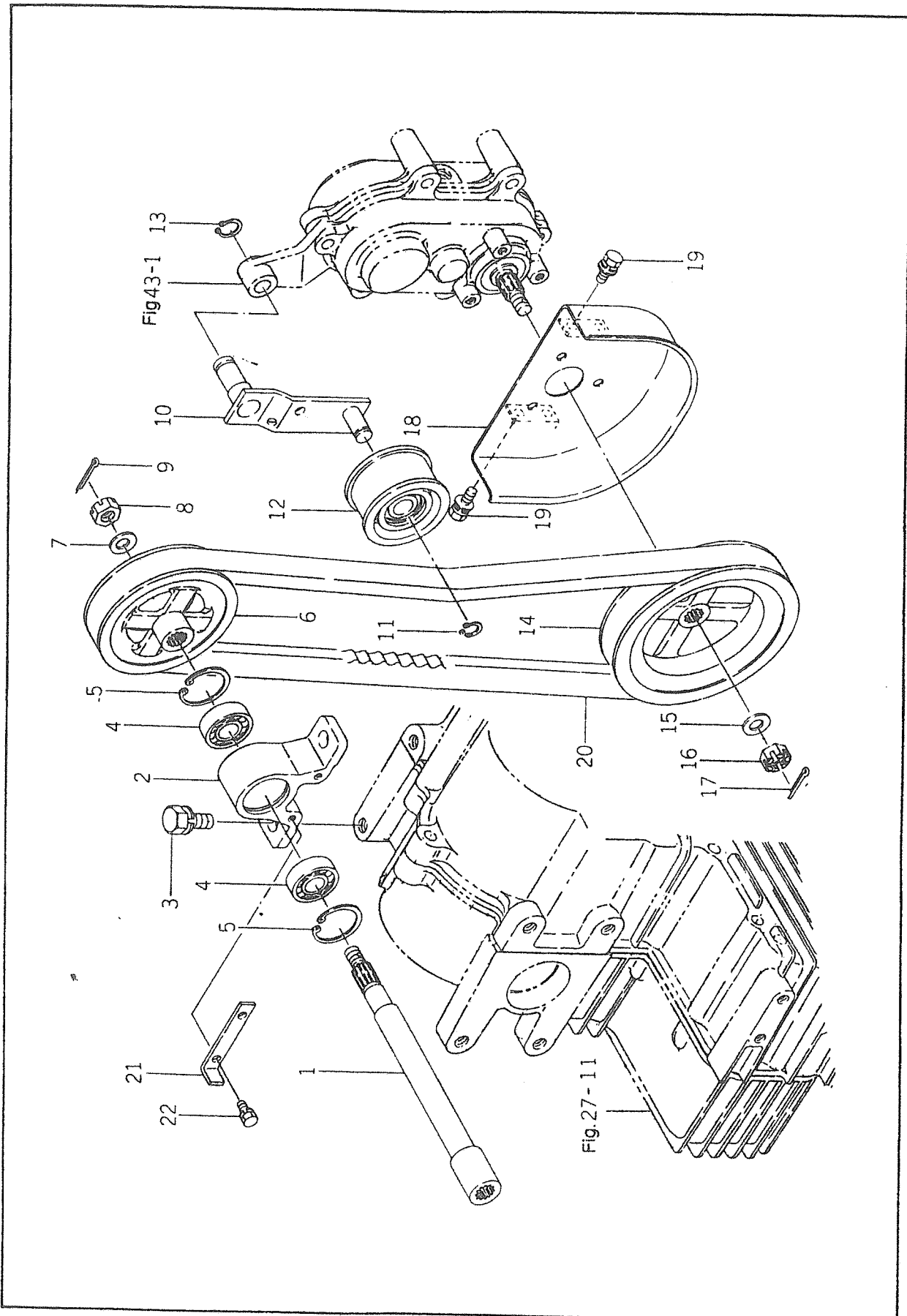


KEY#	SIC P H C G	PART CODE	DESCRIPTION	Q T Y	I T C	S C	HHH 444 888 CCC EEE 245 000	HHH 444 888 CCC EEE 245 000	T P	FROM	UPTO	REMARKS
1		1593-317-210-00	TIRE, REAR	2	A		000 000 000	000 000 000				
2		1593-317-201-00	RIM, WHEEL	2	2		000 000 000	000 000 000				
3		1593-317-201-00	TIRE, TURF	2	2		000 000 000	000 000 000				
4		V999-200-003-00	CAP, TIRE VALVE	2	2		000 000 000	000 000 000				
5		1386-241-002-00	BULB	2	2		000 000 000	000 000 000				
6		V304-460-010-00	NUT/M10	12			000 000 000	000 000 000				
7		V401-160-010-00	WASHER, SP/M10	12			000 000 000	000 000 000				

LEVER (P.T.O.) and BRACKET (P.T.O./F) SYSTEM

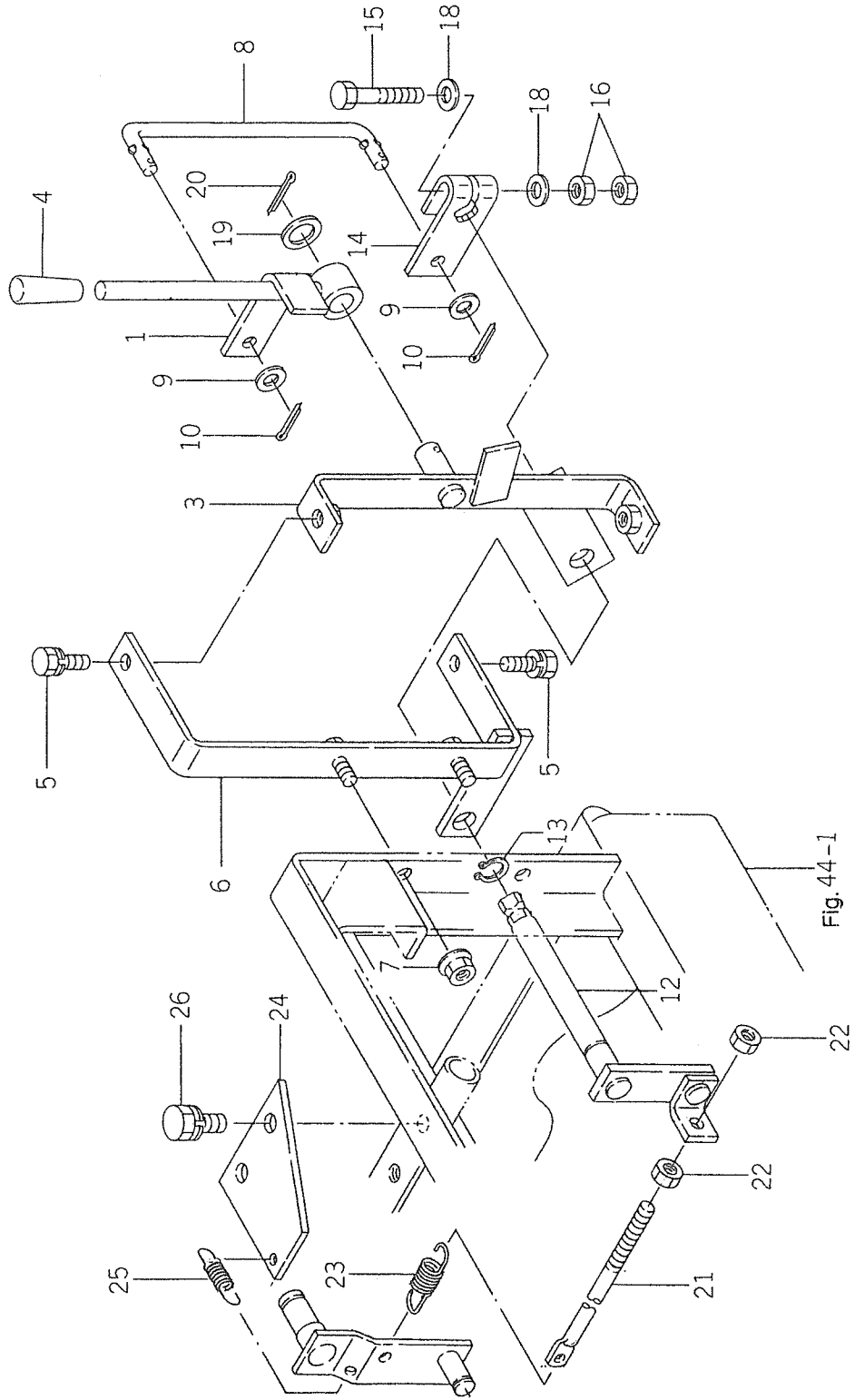


KEY#	S P C	C H G	PART CODE	DESCRIPTION	Q T Y	I T C	S T C	FROM	UPTO	REMARKS	QTY			
											HHH	444	888	EEE
1			1593-332-520-00	ARM/PTO	1	1					000	000	000	000
1A			1593-332-520-10	ASSY	2	2			79					
2			V704-140-015-00	ARM/PTO	1	1					000	000	000	000
3			3646-703-001-00	RING, SNAP/15 C	1	1					000	000	000	000
4			V704-140-015-00	PULLEY, TENSION/70X47	1	1					000	000	000	000
5			1593-332-052-00	RING, SNAP/15 C	1	1					000	000	000	000
6			1593-332-053-00	SPRING/HE014	1	1					000	000	000	000
7			1593-332-051-20	SPRING/HE083	1	1					000	000	000	000
8			V411-260-008-00	CABLE, PTO	2	2					000	000	000	000
9			V500-163-001-50	WASHER, PL/M 8	2	2					000	000	000	000
				PIN, SPLIT/3 X15										
10			1383-452-001-00	HOLDER, WIRE	1	1					000	000	000	000
11			V301-260-006-00	NUT/M 6	1	1					000	000	000	000
12			1593-333-500-30	LEVER, PTO	1	1					000	000	000	000
13			4106-105-303-00	LEVER, PTO	1	1					000	000	000	000
14			V411-260-010-00	KNOB	1	1					000	000	000	000
15			V500-163-002-50	WASHER/M10	1	1					000	000	000	000
16			1593-334-056-40	PIN, SPLIT/3 X25	1	1					000	000	000	000
17			1593-334-054-20	PULLEY, V/2B173	2	2					000	000	000	000
18			1593-334-051-20	BELT/VB038	1	1			79					
18A			1593-334-051-30	SHAFT, PTO	2	2					000	000	000	000
				SHAFT, PTO										
19			1593-334-055-00	COLLAR/26X32X41	1	1					000	000	000	000
20			V600-150-600-50	BEARING, RB/6005SS	2	2					000	000	000	000
21			V704-140-025-00	RING, SNAP/25 C	2	2					000	000	000	000
22			V705-140-047-00	RING, SNAP/47 C	1	1					000	000	000	000
23			1593-334-300-00	BAR, PTO	1	1					000	000	000	000
23A			1593-334-300-10	BAR, PTO	1	1					000	000	000	000
24			V210-260-601-60	BOLT, SEMS (S)	2	2					000	000	000	000
25			1593-335-500-30	COVER, FRONT PTO	1	1					000	000	000	000
26			V211-261-002-50	BOLT(S) M10X25	2	2					000	000	000	000
28			V210-360-601-60	BOLT(SP)/M6X16	4	4					000	000	000	000
29			1427-130-260-0*	CAP, SHAFT(A) COMP	1	1					000	000	000	000
				MIRROR BLACK										
30			V210-260-601-20	BOLT, SEMS	2	2					000	000	000	000
31			1593-335-058-00	PULLEY, V/2B105	1	1					000	000	000	000
32			V203-361-002-50	BOLT/M10X25	4	4					000	000	000	000
33			V401-160-010-00	WASHER	4	4					000	000	000	000
34			1593-332-061-00	BUSH/15X17X10	2	2					000	000	000	000
35			1593 334 3100 0	Support	1	1					000	000	000	000



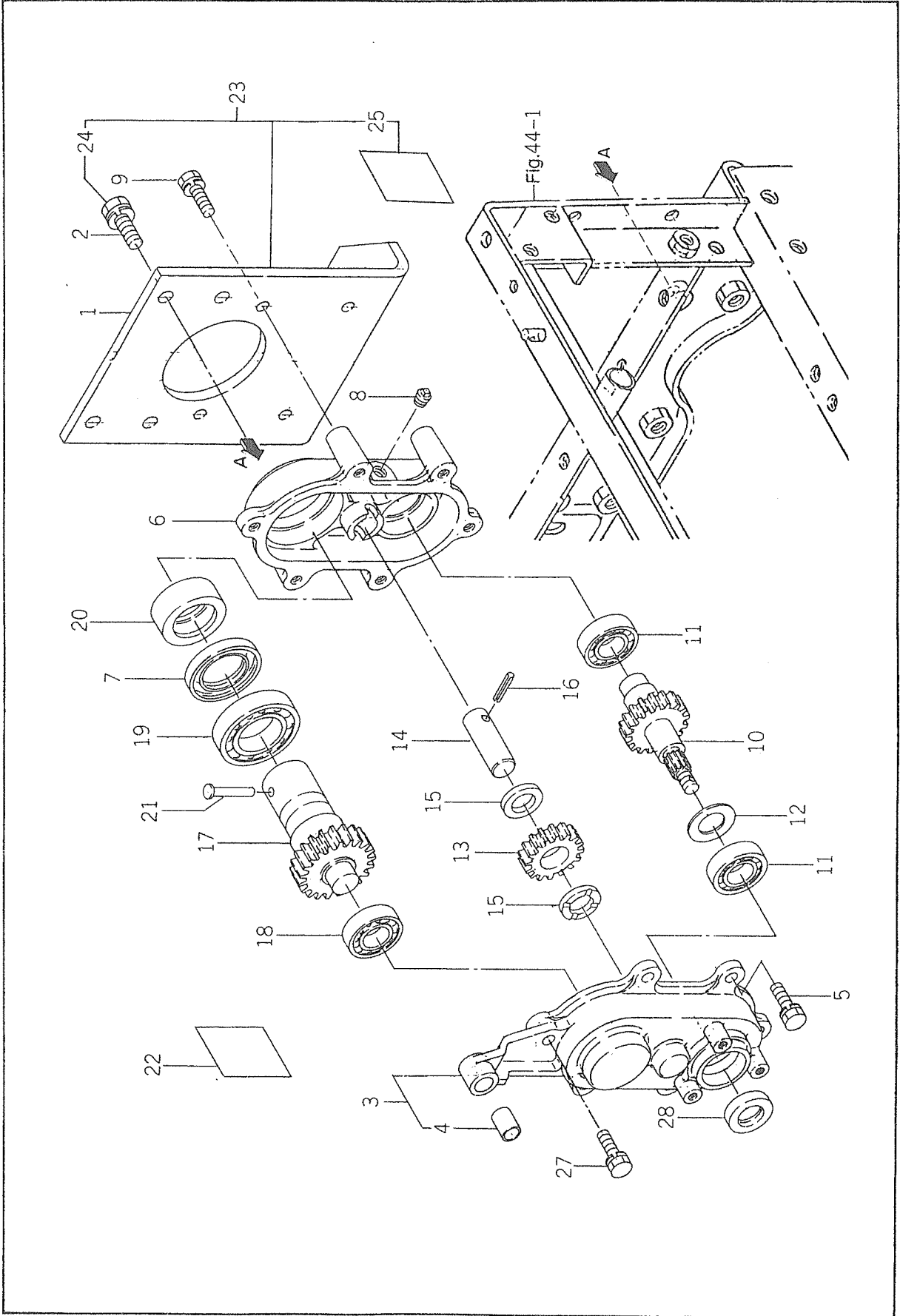
KEY#	S P C	C H G	PART CODE	DESCRIPTION	Q T Y	I T C	S C	T F	FROM	UPTO	REMARKS
1			1608-341-210-10	SHAFT(JOINT/PTO)COMP	1						
2			1608-341-001-10	METAL(REAR PTO)	1						
3			V211-261-002-00	BOLT,SEMS	2						
4			V600-150-620-20	BEARING, RB/6202SS	2						
5			V705-140-035-00	RING, CIRCLIP	2						
6			1608-341-003-10	PULLEY(VCI00)	1						
7			1365-121-005-00	WASHER/10X20X2	1						
8			V327-262-110-00	NUT/M10X1.25	1						
9			V500-162-502-00	PIN,SPLIT/2.5X20	1						
10			1608-341-220-20	ARM(TENSION)COMP	1						
11			V704-140-012-00	RING, SNAP/12 C	1						
12			3737-122-001-00	PULLEY,TENSION	1						
13			V704-140-015-00	RING, SNAP/15 C	1						
14			1608-341-006-10	PULLEY(VCI35)	1						
15			1365-121-005-00	WASHER/10X20X2	1						
16			V327-262-110-00	NUT/M10X1.25	1						
17			V500-162-502-00	PIN,SPLIT/2.5X20	1						
18			1608-341-330-00	COVER(BELT) COMP	1						
19			V210-360-601-20	BOLT,SEMS	4						
20			1608-341-008-00	BLT(COG/VCI031)	1						
21			1608-341-026-00	PLATE(LX16X101)	1						
22			V210-260-601-20	BOLT,SEMS	2						

HHH HHH HHH
 444 444 EEE
 888 888 245
 CCC EEE 000
 EEE 245
 245 000
 000



NNH NNH NNH
 444 444 444
 888 888 245
 CCC EEE 000
 EEE 245
 245 000
 000

KEY#	S P C	C H G	PART CODE	DESCRIPTION	Q T Y	I T C	S C	T F	FROM	UPTO	REMARKS
1			1608-341-230-20	LEVER(PTO) COMP	1						
3			1608-341-240-10	STAY(LEVER/A) COMP	1						
4			4106-105-303-00	KNOB	1						
5			V211-260-802-00	BOLT, SEMS (S)	2						
6			1608-341-250-10	STAY(LEVER/B) COMP	1						
7			V363-260-008-00	NUT, LOCK/M8	2						
8			1608-341-023-00	ROD(REARPTG)	1						
9			V411-260-008-00	WASHER, PL/M 8	2						
10			V500-162-501-50	PIN, SPLIT/ 2.5X15	2						
12			1608-341-260-20	SHAFT COMP	1						
13			V704-140-017-00	RING, SNAP/17 C	1						
14			1608-341-021-10	ARM(40)	1						
15			V201-260-805-00	BOLT/M 8X50	1						
16			V304-260-008-00	NUT/M8	2						
18			V411-260-008-00	WASHER, PL/M 8	2						
19			3517-205-007-00	WASHER	1						
20			V500-163-002-50	PIN, SPLIT/3 X25	1						
21			3728-552-008-00	TRIGGER, TENSION	1						
22			V304-260-008-00	NUT/M 8	2						
23			1337-401-006-00	SPRING	1						
24			1608-341-025-10	PLATE(RETURN)	1						
25			1415-125-021-00	SPRING, TENSION/46	1						
26			V211-261-002-00	BOLT, SEMS	2						



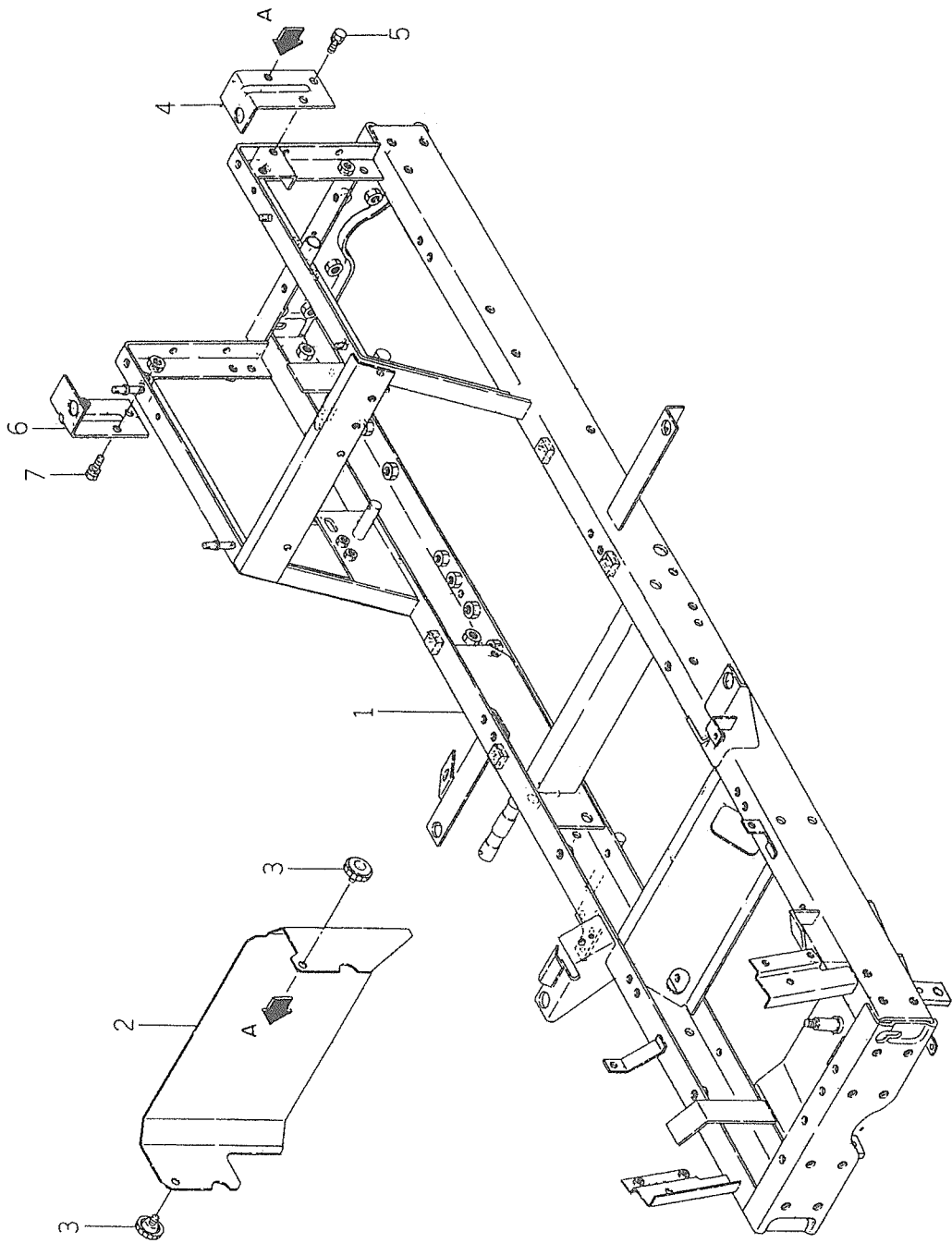


FIG #

44

HHH HHH HHH
 444 444 EEE
 888 888 245
 CCC EEE 000
 EEE 245
 245 000
 000

P. 88

KEY#	S C	P H	C G	PART CODE	DESCRIPTION	Q T Y	I T C	S C	T F	FROM	UPTO	REMARKS
1				1608-401-200-30	CHASSIS	1			T			
1A				1608-401-200-50	CHASSIS	1			T	145	144	
2				1593-401-071-40	COVER, REAR	1						
3				3623-820-013-00	KNOB, SET/12	2						
4				1593-401-570-00	PLATE, FENDER/LH	1						
5				V211-260-801-60	BOLT, SEMS (S) M8X16	2						
6				1593-401-580-00	PLATE, FENDER/RH	1						
7				V211-260-801-60	BOLT, SEMS (S) M8X16	2						

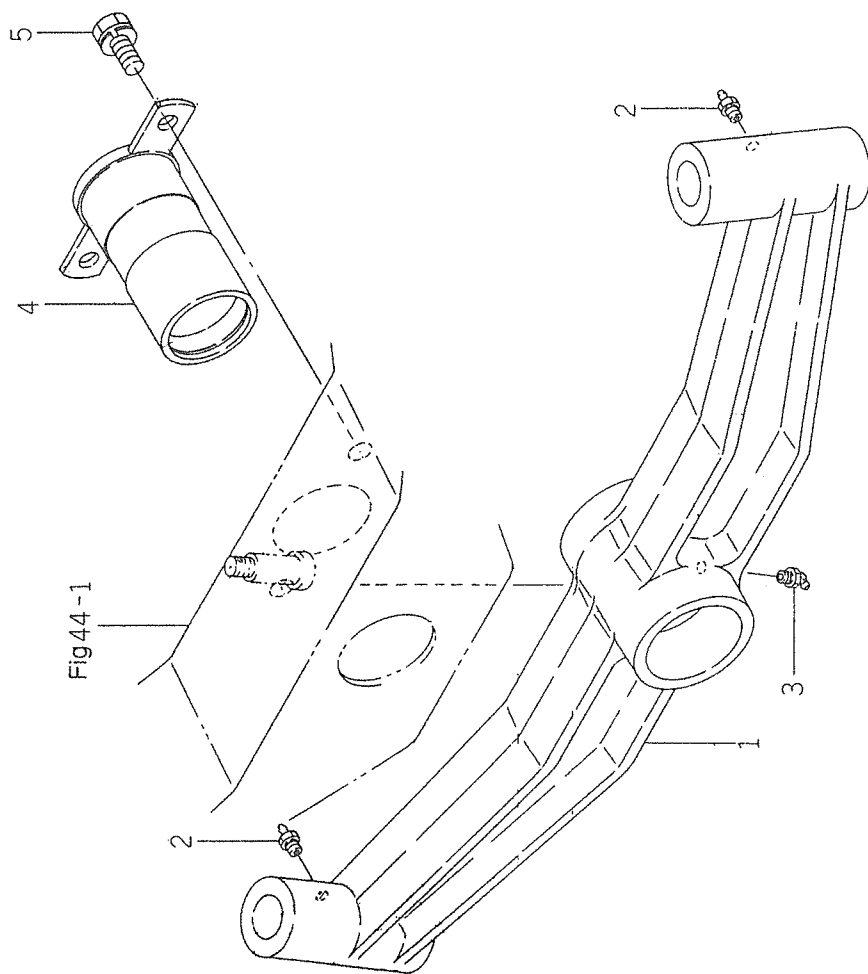


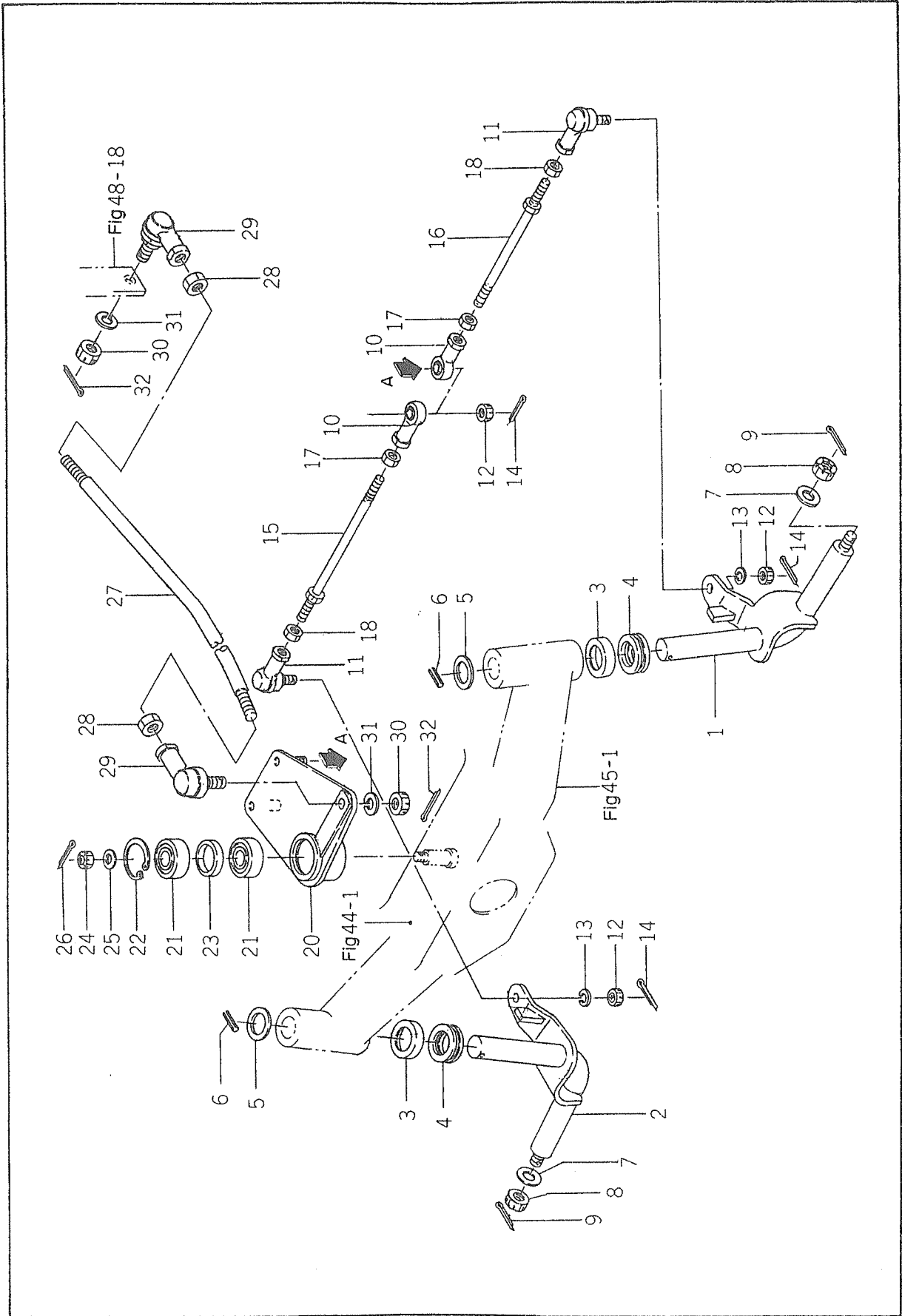
FIG #

45

P. 90

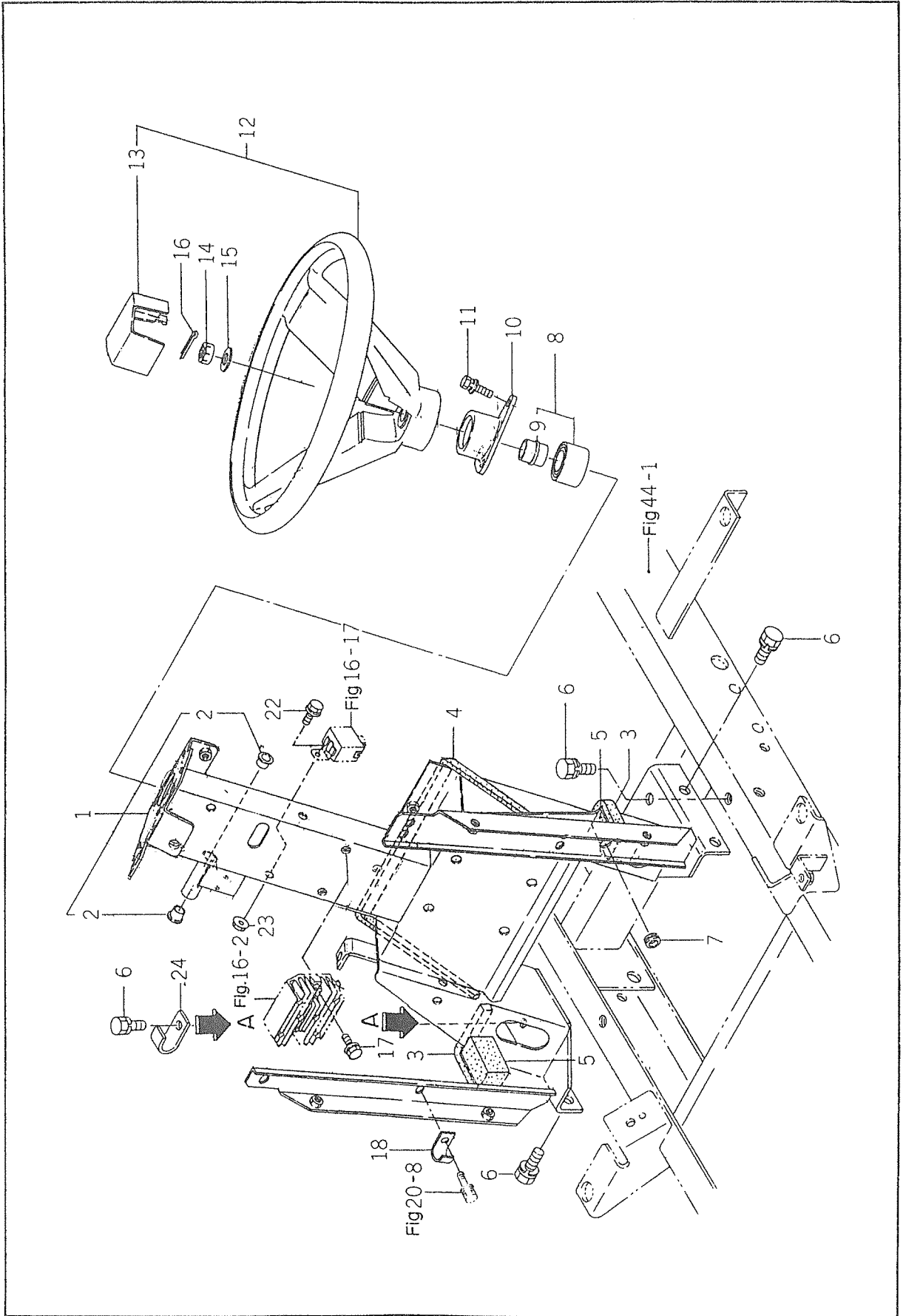
HHH HHH HHH
 444 444 EEE
 888 888 245
 CCC EEE 000
 EEE 245
 245 000
 000

KEY#	S C P H C I G	PART CODE	DESCRIPTION	Q T Y	I T C	S T C	FROM	UPTO	REMARKS
1		1593-402-052-30	AXLE/FRONT	1			296	295	
1A		1593-402-052-50	AXLE/FRONT	1	2				
2		V760-150-000-00	NIPPLE, GREASE	2					
3		V762-150-000-00	NIPPLE, GREASE/B-M6F	1					
4		1593-402-510-40	HUB, PTO FRONT	1					
5		V211-261-002-00	BOLT, SEMS	2					

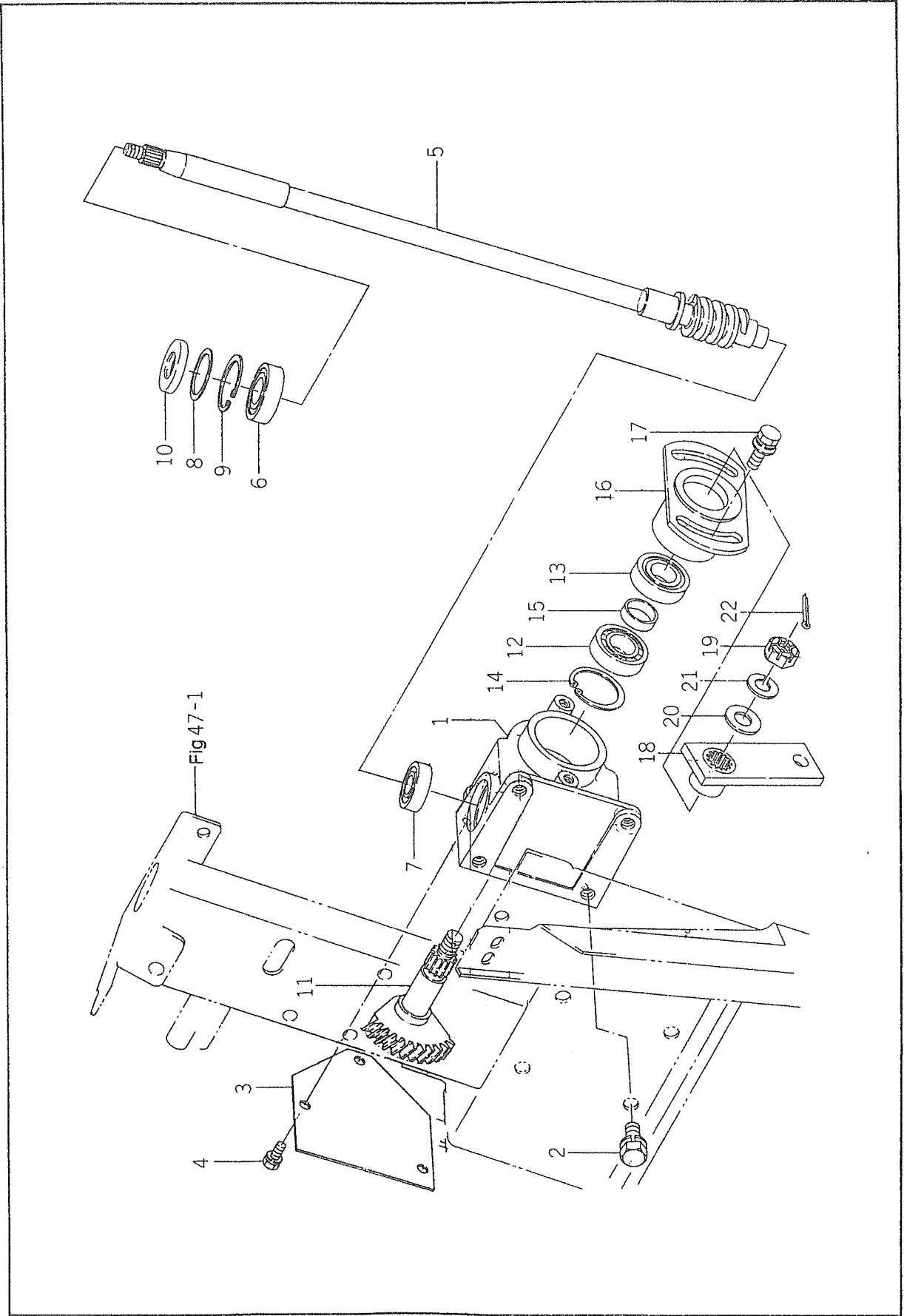


HHH HHH HHH	HHH HHH HHH																		
444 444 EEE	444 444 EEE																		
888 888 245	888 888 245																		
CCC EEE 000	CCC EEE 000																		
EEE 245	EEE 245																		
245 000	245 000																		
000	000																		

KEY#	S P C	C H G	PART CODE	DESCRIPTION	Q T Y	I T Y C C	U P T O	F R O M	REMARKS
1			1593-403-500-50	ARM(KNUCKLE/LH)COMP	1				
2			1593-403-510-50	ARM(KNUCKLE/RH)COMP	1				
3			1593-403-004-10	COVER/44X10	2				
4			1593-403-009-00	BEARING, BALL THRUST	2				
5			1415-216-602-00	WASHER/26X35X2	2				
6			V580-140-503-20	PIN,SPRING/5 X32 W	2				
7			3621-702-003-00	WASHER,PULLEY	2				
8			V328-262-112-00	NUT/M12X1.25	2				
9			V500-163-002-50	PIN,SPLIT/3 X25	2				
10			1593-403-003-10	JOINT,BALL/LH	2				
11			1593-403-001-10	JOINT,BALL/RH	2				
12			V328-262-110-00	NUT/M10X1.25	4				
13			V401-160-010-00	WASHER,SP/M10	2				
14			V500-162-502-00	PIN,SPLIT/2.5X20	4				
15			1593-403-052-30	ROD/D=8.90-8.94	1				
16			1593-403-056-30	ROD/D=8.90-8.94	1				
17			3625-212-007-00	NUT/M10	2				
18			V334-260-010-00	NUT/M10	2				
20			1593-403-530-60	ARM,PITMAN	1				
21			V600-150-620-30	BEARING, RB/6203SS	2				
22			V705-140-040-00	RING, SNAP/40 C	1				
23			1593-403-007-20	COLLAR/31X38X06	1				
24			V328-262-110-00	NUT/M10X1.25	1				
25			1376-121-001-00	WASHER/11X22X3	1				
26			V500-162-502-00	PIN,SPLIT/2.5X20	1				
27			1593-403-058-20	ROD(DRAG)	1				
28			V335-260-012-00	NUT/M12X1.25	2				
29			1593-403-005-00	JOINT,BALL	2				
30			V328-262-112-00	NUT/M12X1.25	2				
31			V401-160-012-00	WASHER,SP/M12	2				
32			V500-163-002-50	PIN,SPLIT/3 X25	2				

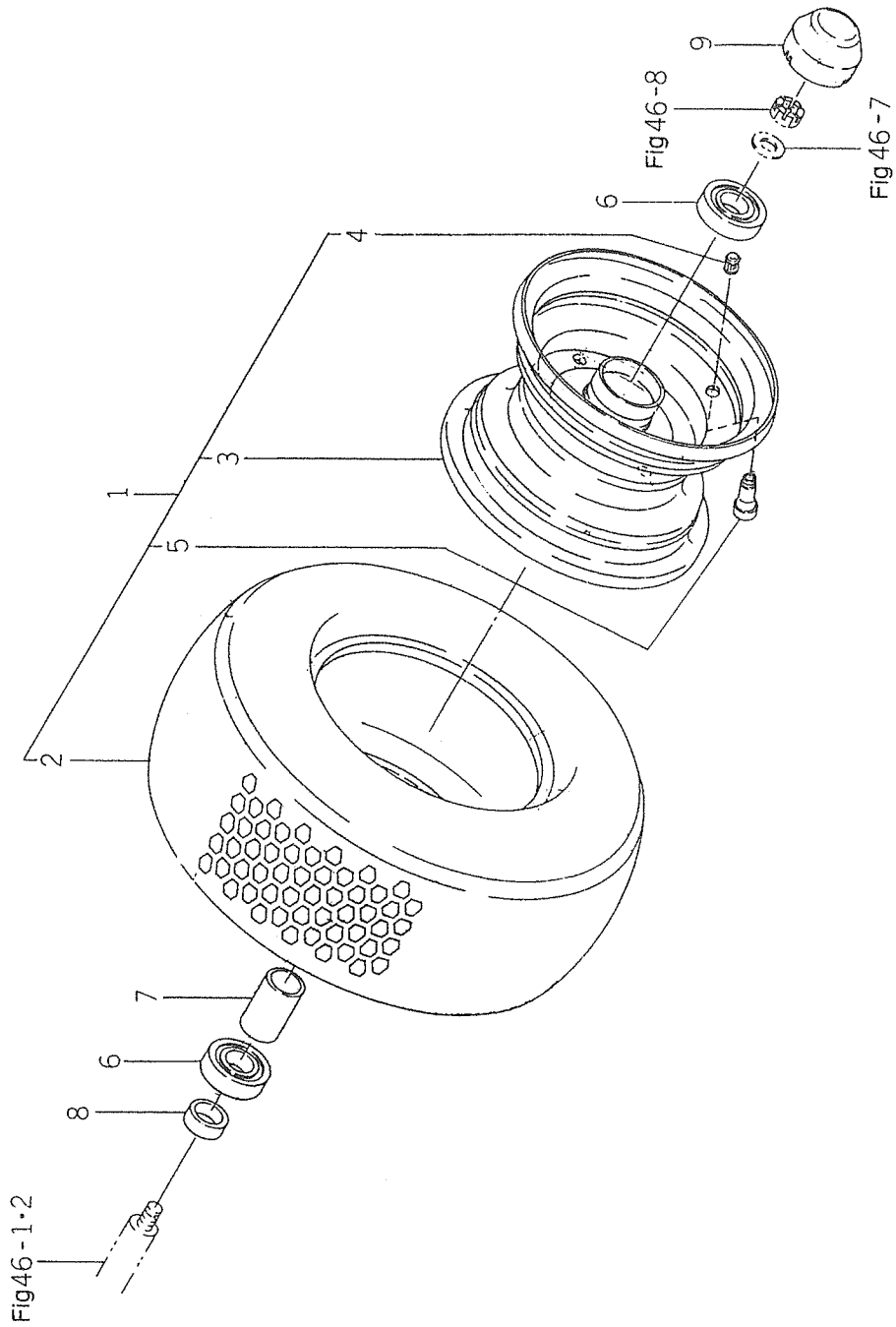


KEY#	S C P H C G	PART CODE	DESCRIPTION	Q T Y	I T T C	S T C	HHH 444 888 CCC EEE 245 000	HHH 444 888 CCC EEE 245 000	FROM	UPTO	REMARKS
1		1593-406-500-10	POST(STEERING)ASSY	1	1		000	000			
2		1564-512-001-00	BUSH/10X12X10	2	2		000	000			
3		1593-601-069-00	SEAL/15X20X120	2			000	000			
4		1593-601-065-10	SEAL/20X15X530	1			000	000			
5		1593-406-008-00	SEAL/30X30X50	2			000	000			
6		V211-261-002-50	BOLT(S) M10X25	6			000	000			
7		1427-621-012-00	GROMMET	1			000	000			
8		1593-406-250-00	COLUMN,STEERING ASSY	1	1		000	000			
9		1593-406-005-10	BUSH,COLUMN	1	2		000	000			
10		1593-406-004-00	HUB,STEERING COLUMN	1			000	000			
11		V210-360-602-00	BOLT/SP	3			000	000			
12		1593-406-240-10	WHEEL,STEERING ASSY	1	1		000	000			
13		1593-406-006-00	PAD,STEERING WHEEL	1	2		000	000			
14		V328-262-110-00	NUT/M10X1.25	1			000	000			
15		V411-260-010-00	WASHER/M10	1			000	000			
16		V500-162-502-00	PIN,SPLIT/2.5X20	1			000	000			
17		V210-360-602-00	BOLT/SP	2			000	000			
18		1425-621-004-00	CLAMP,HARNES	1			000	000			
22		V211-360-801-60	BOLT,SEMS (SP)	1			000	000			
23		V363-260-008-00	NUT,LOCK/M8	1			000	000			
24		3737-172-011-00	CLAMP,HARNES	1			000	000			

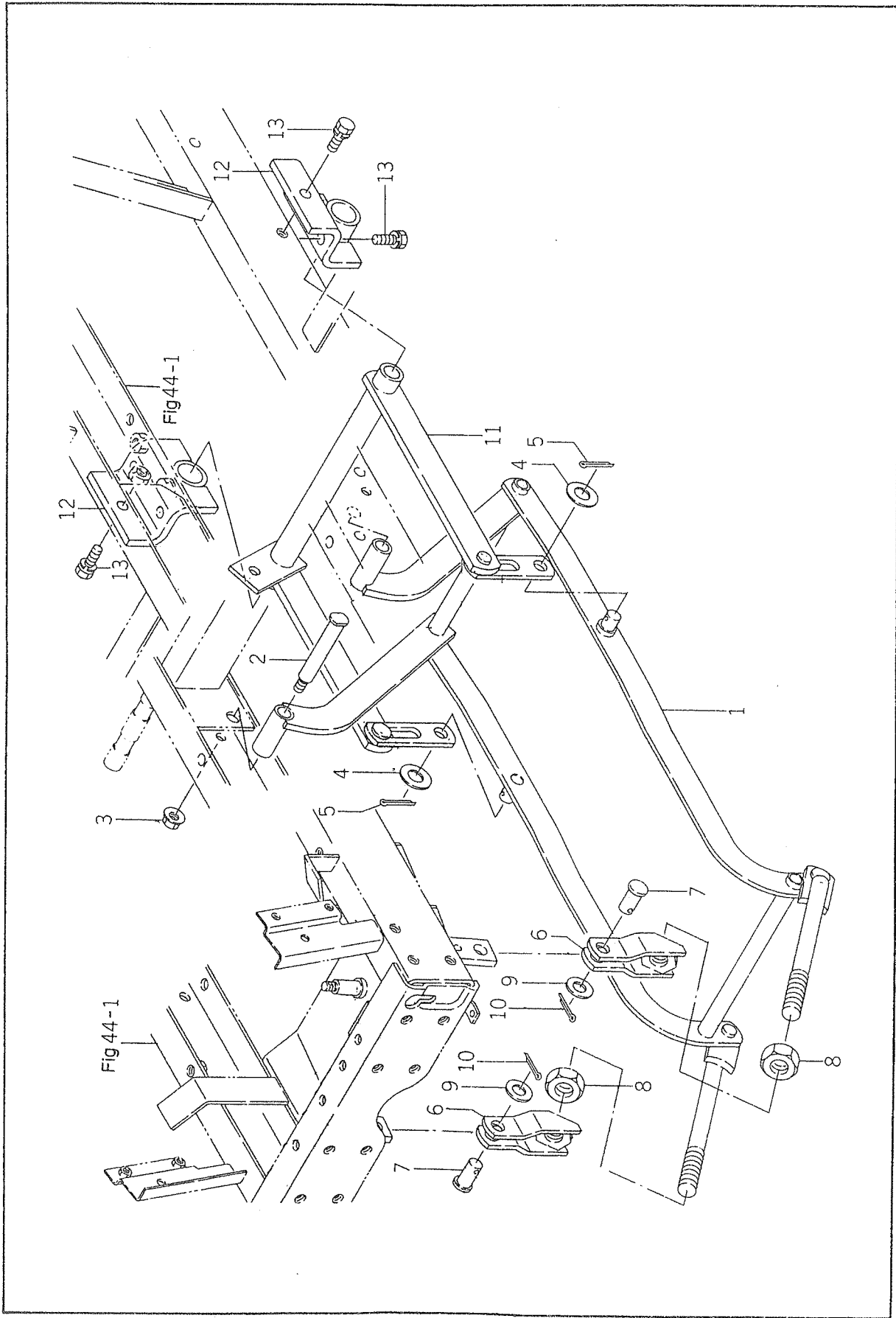


HHH HHH HHH
 444 444 EEE
 888 888 245
 CCC EEE 000
 EEE 245
 245 000
 000

KEY#	S P C	C H G	PART CODE	DESCRIPTION	Q T Y	I T T C	S C C	FROM	UPTO	REMARKS
1			1593-407-051-50	CASE(STERING)	1		000 000 000			
2			V211-261-002-00	BOLT,SEMS	4		000 000 000			
3			1593-407-004-40	PLATE,STEERING	1		000 000 000			
4			V210-260-601-20	BOLT,SEMS	3		000 000 000			
5			1593-407-200-40	SHAFT,STEERING	1		000 000 000			
6			1593-407-002-00	BEARING, RB/7004	1		000 000 000			
7			1593-407-006-00	BEARING, RB/7202	1		000 000 000			
8			1480-207-011-00	WASHER/31X42X1	1		000 000 000			
9			V705-140-042-00	RING,SNAP/42 C	1		000 000 000			
10			V742-120-420-60	SEAL,OIL/VC20426	1		000 000 000			
11			1593-407-510-50	GEAR(HELICAL/T72)COM	1		000 000 000			
12			V600-110-600-40	BEARING, RB/6004	1		000 000 000			
13			V600-140-600-40	BEARING, RB/6004S	1		000 000 000			
14			V705-140-042-00	RING,SNAP/42 C	1		000 000 000			
15			1593-407-007-10	COLLAR/21X25X08	1		000 000 000			
16			1593-407-520-30	FLANGE,CONTROL	1		000 000 000			
17			V211-360-802-00	BOLT(SP) M8X20	2		000 000 000			
18			1593-407-530-30	ARM, DRAG	1		000 000 000			
19			V328-262-112-00	NUT/M12X1.25	1		000 000 000			
20			V411-260-012-00	WASHER /M12	1		000 000 000			
21			V401-160-012-00	WASHER, SP/M12	1		000 000 000			
22			V500-163-002-50	PIN,SPLIT/3 X25	1		000 000 000			

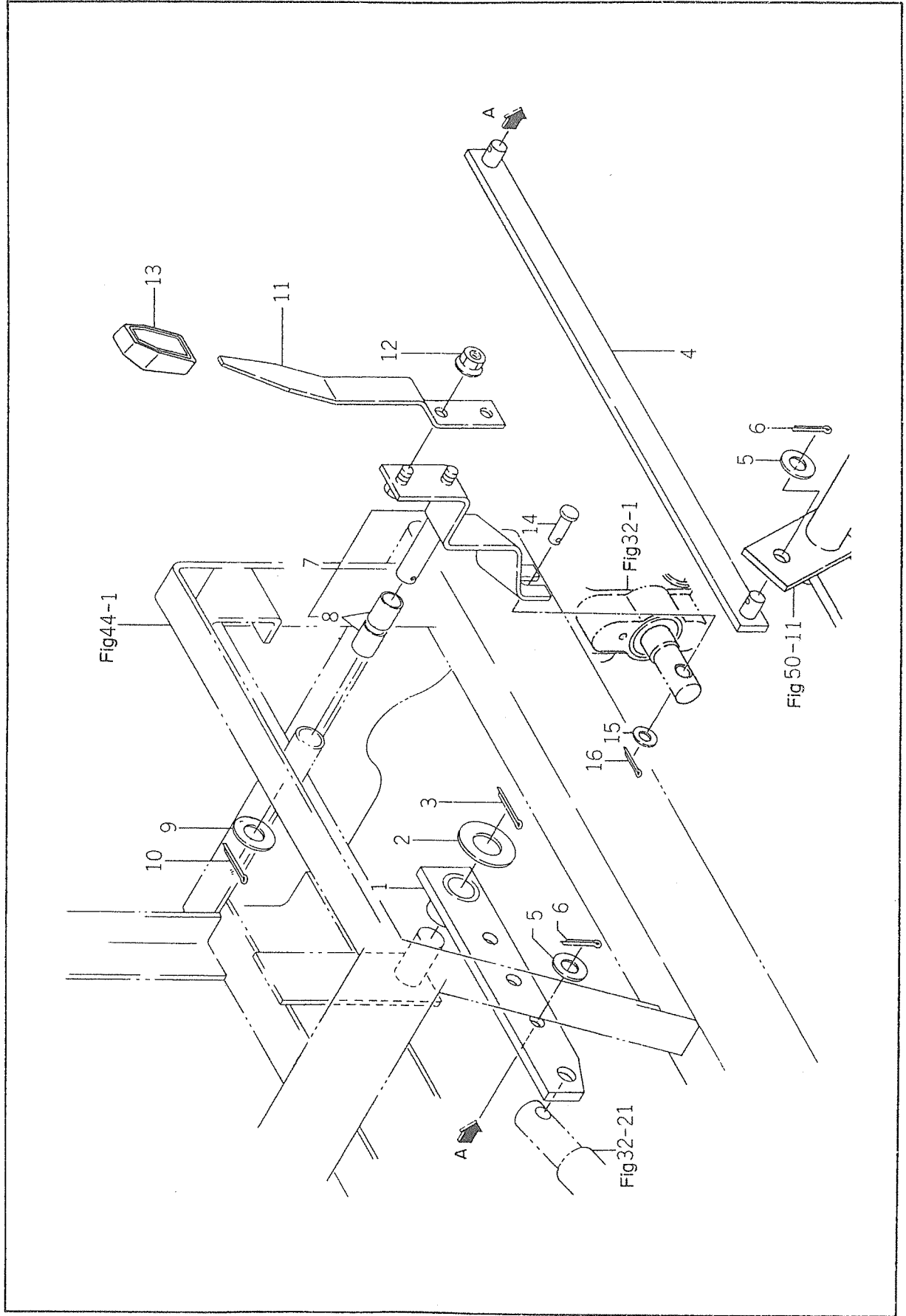


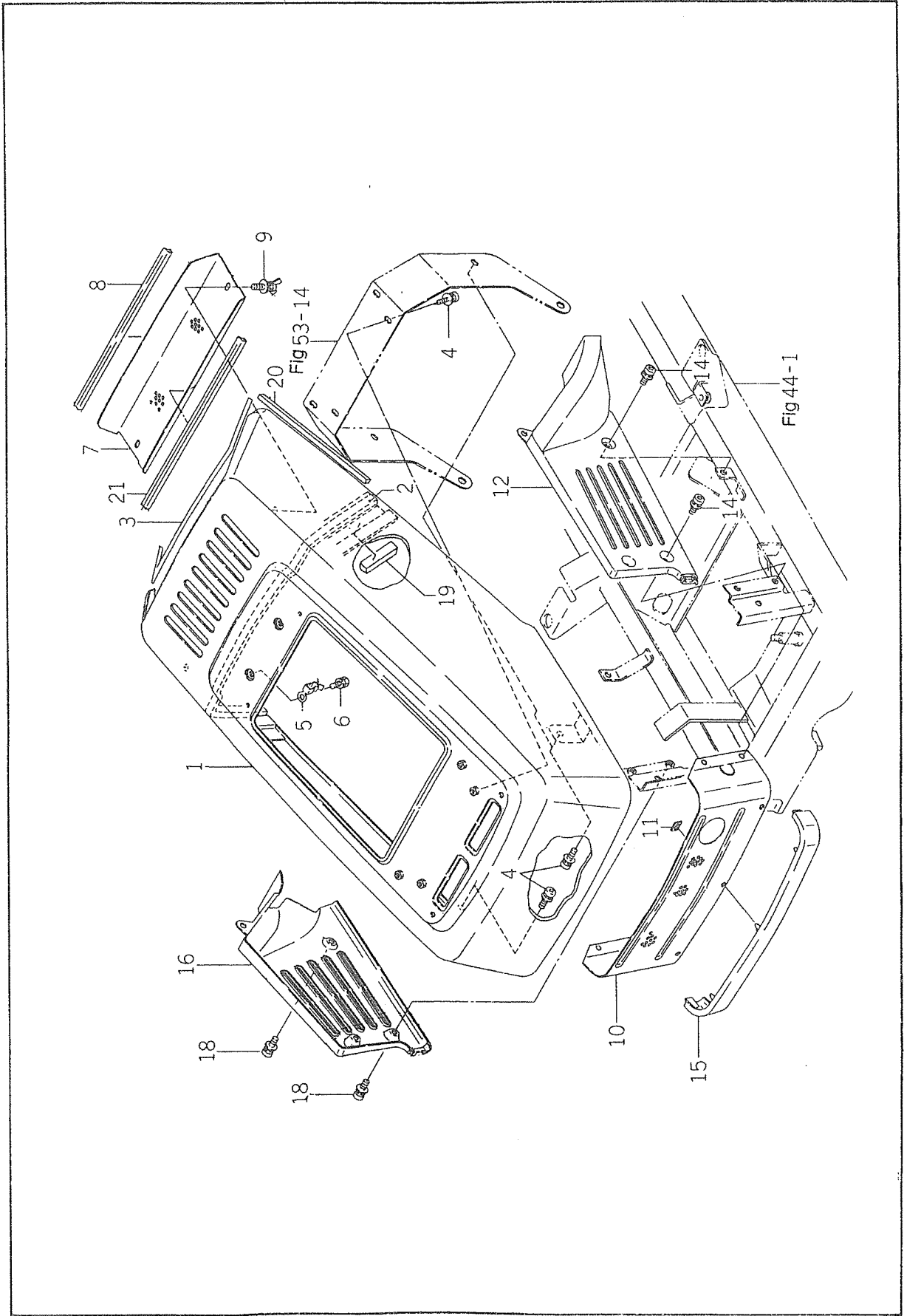
KEY#	S P C	C H G	PART CODE	DESCRIPTION	Q T Y	I T Y	S T C	HHH 444 888 CCC EEE 245 000	HHH 444 888 EEE 245 000	HHH 444 888 EEE 245 000	T P	FROM	UPTO	REMARKS
1			1593-411-201-00	TIRE, FRONT ASSY	2	2	A	000	000	000				
2			1593-411-610-10	TIRE, TURF/16-8	2	2	2	000	000	000				
3			1593-411-610-10	RIM, WHEEL FRONT	2	2	2	000	000	000				
4			V999-200-003-00	CAP, TIRE VALVE	2	2	2	000	000	000				
5			1386-241-002-00	BULB	2	2	2	000	000	000				
6			V600-150-620-50	BEARING, RB/6205SS	4	4	2	000	000	000				
7			1593-411-001-10	COLLAR/26X32X53	2	2	2	000	000	000				
8			1593-411-052-20	COLLAR, 26X32X14	2	2	2	000	000	000				
9			1593-411-053-10	CAP, WHEEL	2	2	2	000	000	000				



HHH HHH HHH
 444 444 EEE
 888 888 245
 CCC EEE 000
 EEE 245
 245 000
 000

KEY#	S C P C	P H C G	PART CODE	DESCRIPTION	Q T Y	I T T Y C C	FROM	UPTO	REMARKS
1			1593-553-540-20	LINK	1				
2			1593-553-003-20	PIN/15X108	2				
3			V363-260-010-00	NUT/M10	2	9			
4			V411-260-014-00	WASHER, PL/M14	2				
5			V500-163-002-50	PIN, SPLIT/3 X25	2				
6			1593-553-550-10	LINK/A	2				
7			1593-553-007-20	PIN/15X32	2				
8			V305-260-020-00	NUT/M20	2				
9			V411-260-014-00	WASHER, PL/M14	2				
10			V500-163-002-50	PIN, SPLIT/3 X25	2				
11			1608-553-200-20	LIFT(270) COMP	1				
12			1593-553-670-30	METAL, LIFTARM	2				
13			V211-561-002-50	BOLT/M10X25	6				





KEY#	S P C	C P C	PART CODE	DESCRIPTION	Q T Y	I T C	S T C	HHH 444 888 CCC EEE 245 000	HHH 444 888 CCC EEE 245 000	FROM	UPTO	REMARKS
1			1593-601-500-40	HOOD(A)	1			000 000 000				
2			1593-601-062-20	SEAL/20X10X690	1			000 000 000				
3			1593-601-067-10	TRIM/1X06X570	1			000 000 000				
4			V210-360-601-60	BOLT(SP)/M6X16	6			000 000 000				
5			3610-631-002-0*	HANGER,SUPPORT	2			000 000 000				
6			V211-260-801-60	COSMO BLUE	1			000 000 000				
7			1593-601-009-00	BOLT,SEMS (S) M8X16	2			000 000 000				
8			1593-601-068-10	NET/100X388	1			000 000 000				
9			V273-360-601-50	TRIM/1X06X340	1			000 000 000				
				BOLT/M6X15	2			000 000 000				
10			1593-601-002-40	COVER(FRONT/MESH)	1			000 000 000				
11			V350-160-006-00	NUT,SPEED/P6	3			000 000 000				
12			1593-601-361-20	COVER,FRONT/LH	1			000 000 000				
14			V120-366-001-60	SCREW,SP/ M6X16	3			000 000 000				
15			1593-601-271-20	COVER,FRONT/C	1			000 000 000				
16			1593-601-581-20	COVER,FRONT/RH	1			000 000 000				
18			V120-366-001-60	SCREW,SP/ M6X16	3			000 000 000				
19			1593-601-071-00	SEAL(20X10X130)	1			000 000 000				
20			1593-601-068-10	TRIM/1X06X340	1			000 000 000				
21			1593-601-072-00	TRIM/1X6X360	1			000 000 000				

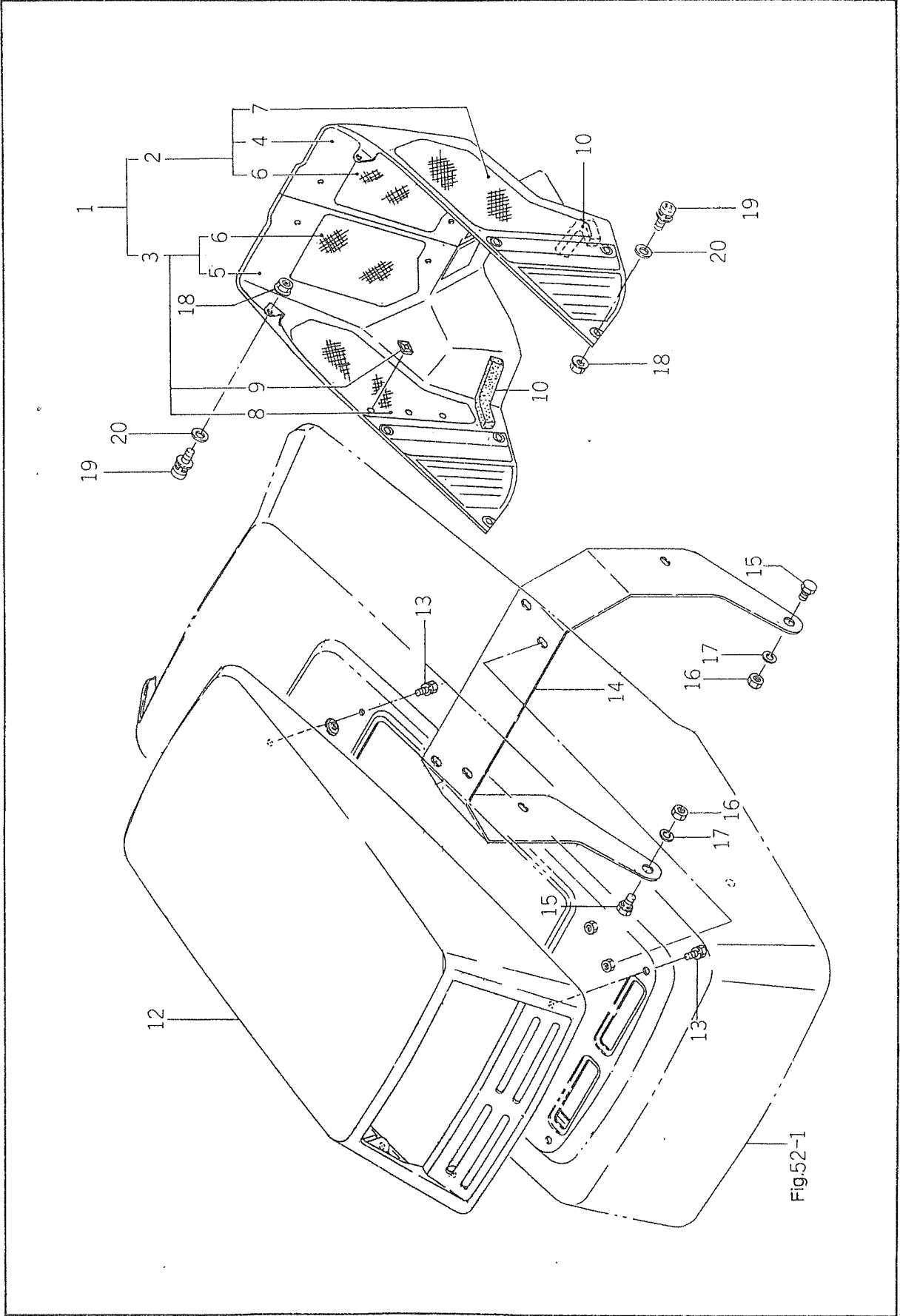
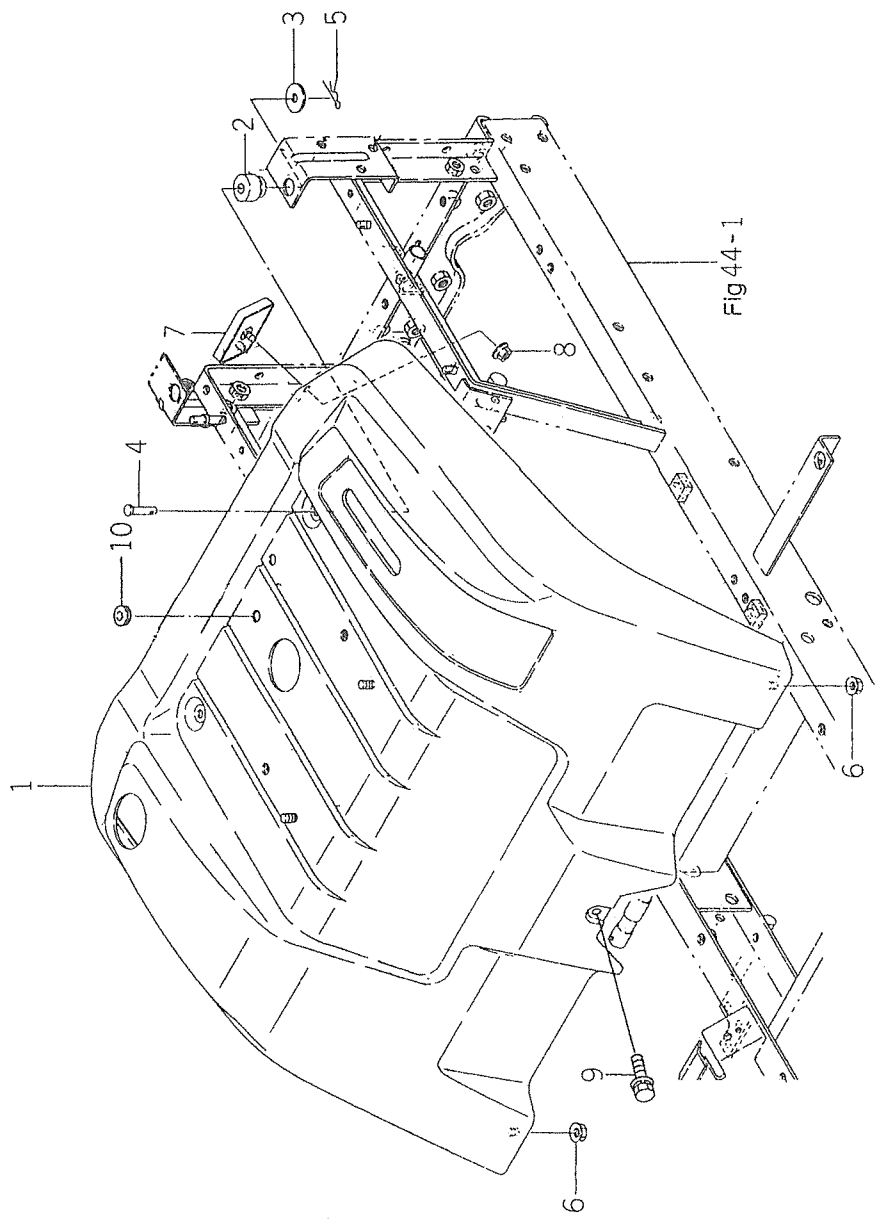


Fig.52-1

HHH HHH HHH
 444 444 EEE
 888 888 245
 CCC EEE 000
 EEE 245
 245 000
 000

KEY#	S P C	H C G	PART CODE	DESCRIPTION	Q T Y	I T E M	S E C T I O N	FROM	UPTO	REMARKS
1			1593-601-510-00	COVER, LOWER SET	1	1				
2	A		1593-601-530-00	COVER, LOWER ER/LH	1	8				
2A	A		1593-601-520-40	COVER, LOWER COMP	1	8				
3	A		1593-601-540-00	COVER, LOWER COMP	1	8				
4			1593-601-521-10	COVER (LOWER/LH)	1	3				
5			1593-601-522-30	COVER (LOWER/RH)	1	3				
6			1593-601-523-10	NET, REAR LOWER COVER	2	3				
7			1593-601-524-10	NET, LOWER COVER/LH	1	3				
8			1593-601-525-10	NET, LOWER COVER/RH	1	3				
9			V350-160-004-00	NET, SPEED/P4	33	3				
10			1593-601-064-20	SEAL/15X20X170	2					
12			1593-601-008-10	FOOD/ B	1			190	189	
12A			1593-601-008-20	FOOD/ B	1					
13			V210-260-601-20	BOLT, SEMS	1					
14			1593-601-061-20	ARM, HOOD	4					
15			1593-601-054-00	SCREW/M8X11	1					
16			V304-260-008-00	NUT/M 8	2					
17			V401-160-008-00	WASHER, SP/M 8	2					
18			V361-260-006-00	NUT	2					
19			1581-740-116-00	SCREW/M6X20	4					
20			1593-601-073-00	WASHER/06X16X01	12					

FENDER SYSTEM



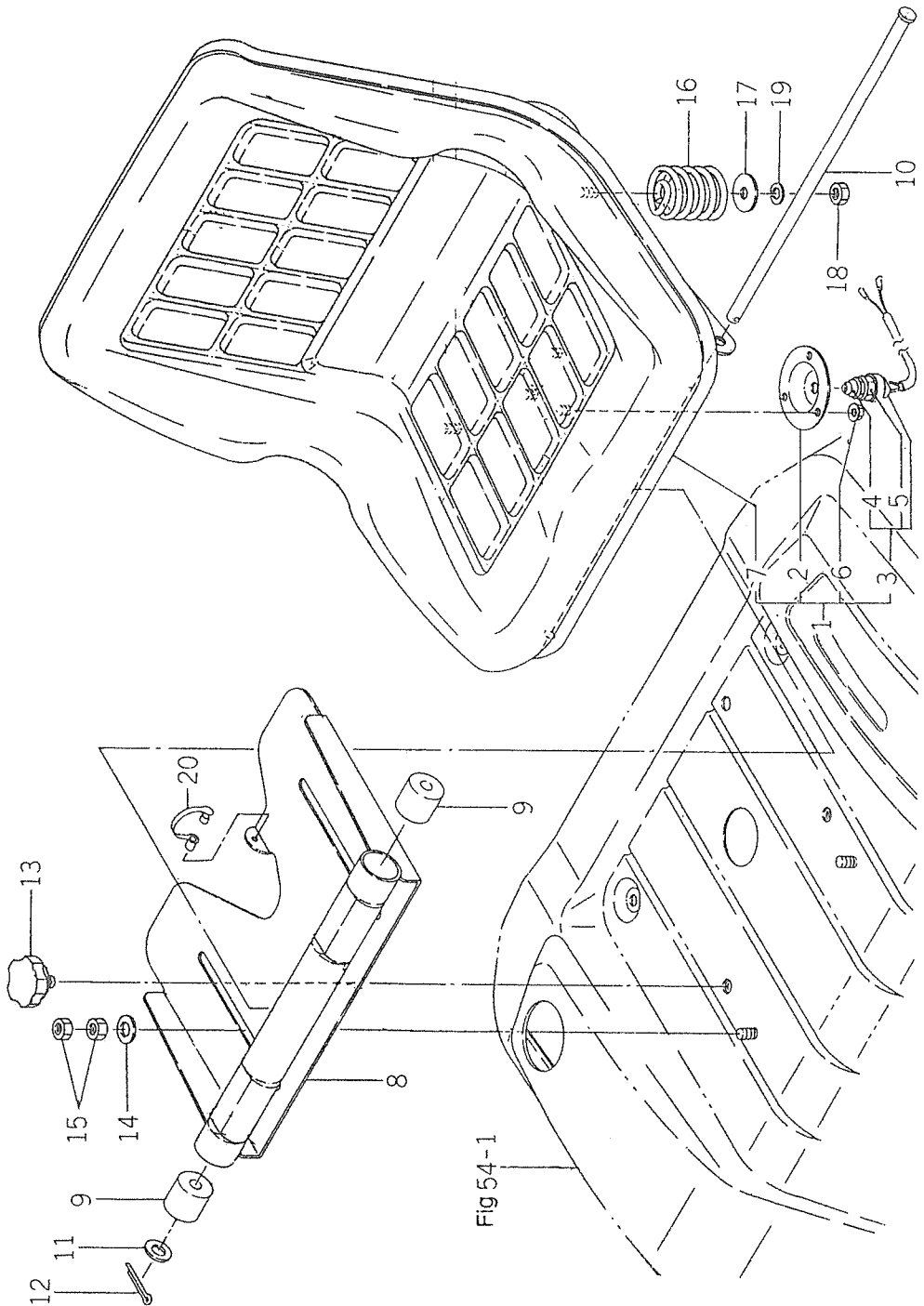


Fig 54-1

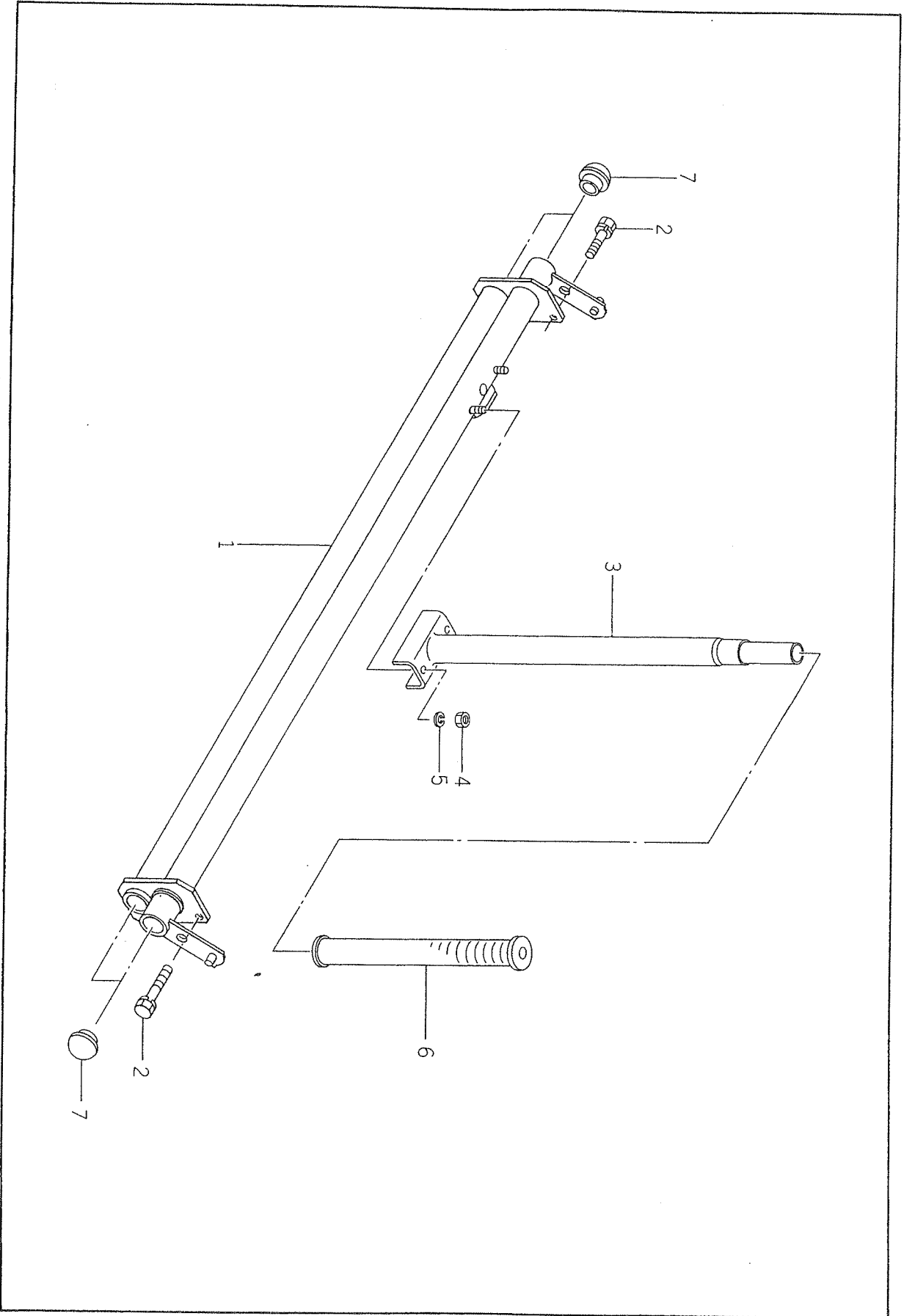
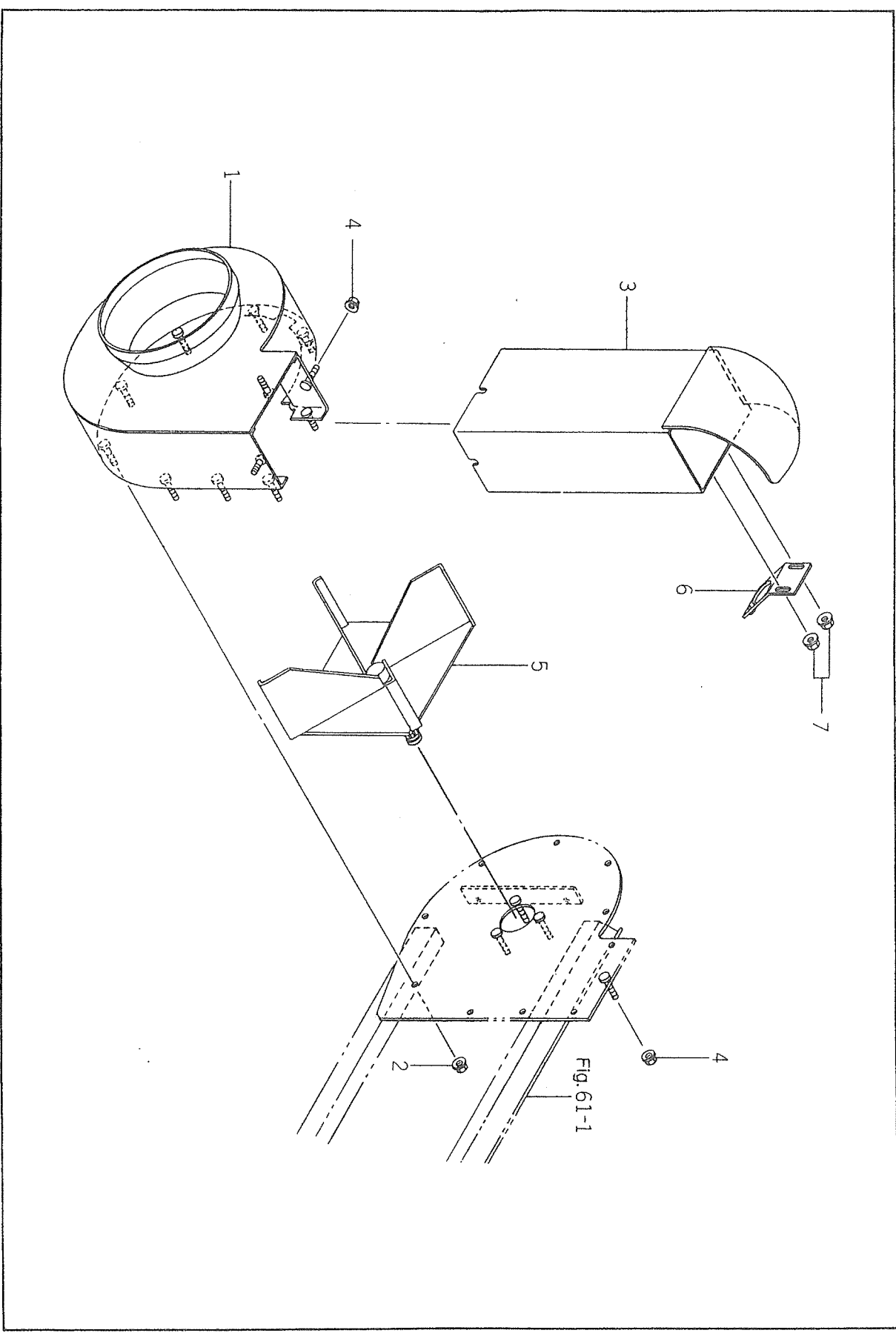
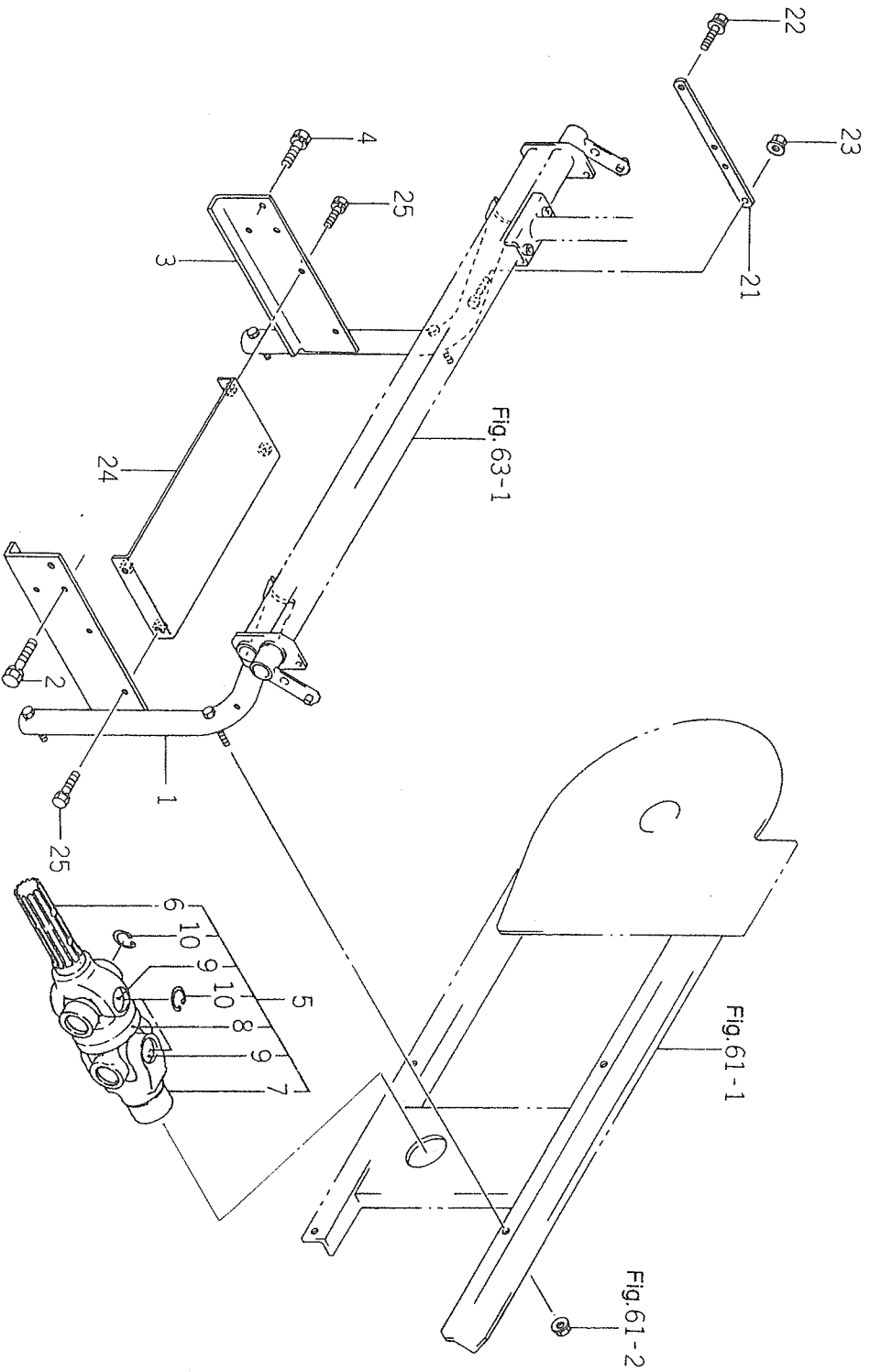


FIG # 62

P. 124

KEY#	S P C	C H G	PART CODE	DESCRIPTION	Q T Y	I T C	S C	HHH 444 888 CCC EEE 245 000	HHH 444 888 EEE 245 000	HHH 444 888 EEE 245 000	T P	FROM	UPTO	REMARKS
1			8596-113-200-30	CASING	1			000						
2			V363-260-008-00	NUT LOCK/M8	10			000						
3			8596-113-210-50	COVER(DISCHARGE)	1			000						
4			V363-260-008-00	NUT LOCK/M8	4			000						
5			8596-113-230-50	FAN PLATE	1			000						
5A			8596-113-230-50	FAN PLATE	1			000						
6			3615-820-240-10	PLATE	1			000				48		
7			V361-260-006-00	NUT	2			000						





HHH 444 HHH HHH
 CCC 888 EEE EEE
 EEE 245 000
 245 000
 000

[Empty Box]

KEY#	S C	P H	PART CODE	DESCRIPTION	Q T	I S	FROM	UPTO	REMARKS
	C	G			Y	C			
1			1593-901-001-00	ORNAMENT/LH	1				
2			1593-901-002-00	ORNAMENT/RH	1				
3			1608-901-001-00	ORNAMENT (15)	2				
4			1593-901-005-00	ORNAMENT/F	1				
5			1608-901-003-10	LABEL (LIFT)	1				
6			1608-901-002-00	LABEL (MODEL/SG15)	1				
7			1593-901-009-00	LABEL	1				
8			1608-901-004-00	ORNAMENT (HYDRAULIC)	1				
9			1593-904-001-00	LABEL, CAUTION/D	1				
10			1608-904-001-00	LABEL (OPERATION/D)	1				
11			1593-904-003-00	LABEL, PARKING/D	1				
12			1608-904-006-00	LABEL (FUSE/B)	1				
13			1593-904-007-00	LABEL, RADIATOR/D	1				
14			1600-902-023-00	LABEL, FUEL/D	1				
15			1593-905-001-00	LABEL, CAUTION/F	1				
16			1608-905-001-00	LABEL (OPERATION/F)	1				
17			1593-905-003-00	LABEL, PARKING/F	1				
18			1608-905-006-00	LABEL (FUSE/F)	1				
19			1593-905-007-00	LABEL, PTO CAUTION/F	1				
20			1427-934-013-00	MARK, FUEL/FR	1				
21			1593-906-001-00	LABEL, CAUTION/E	1				
22			1608-906-001-00	LABEL (OPERATION/E)	1				
23			1593-906-003-00	LABEL, PARKING/E	1				
24			1608-906-006-00	LABEL (FUSE/E)	1				
25			1593-906-007-00	LABEL, PTO CAUTION/E	1				
26			1427-941-016-00	MARK, FUEL	1				
27			4319-911-001-00	SPANNER/L-TYPE	1				

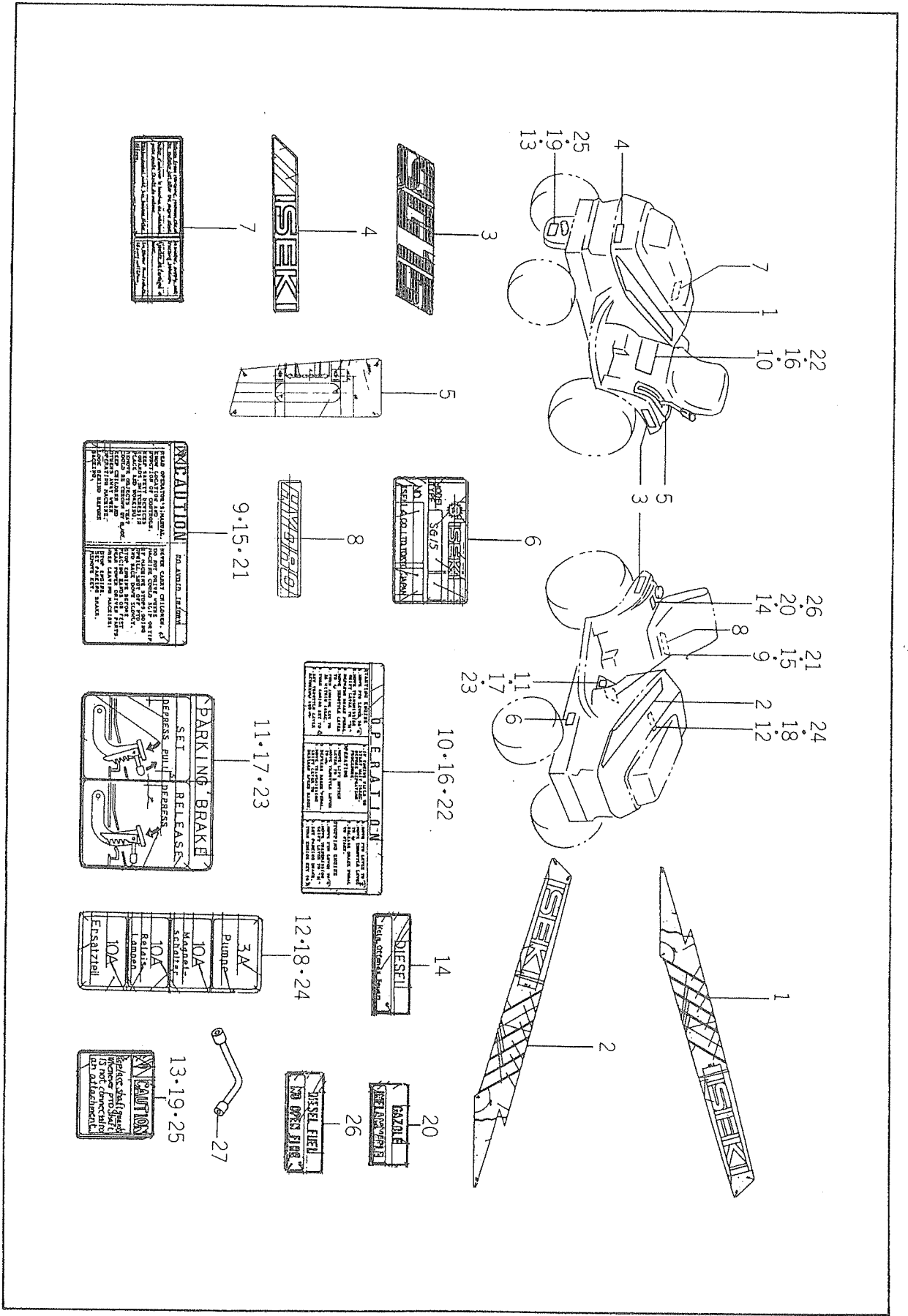
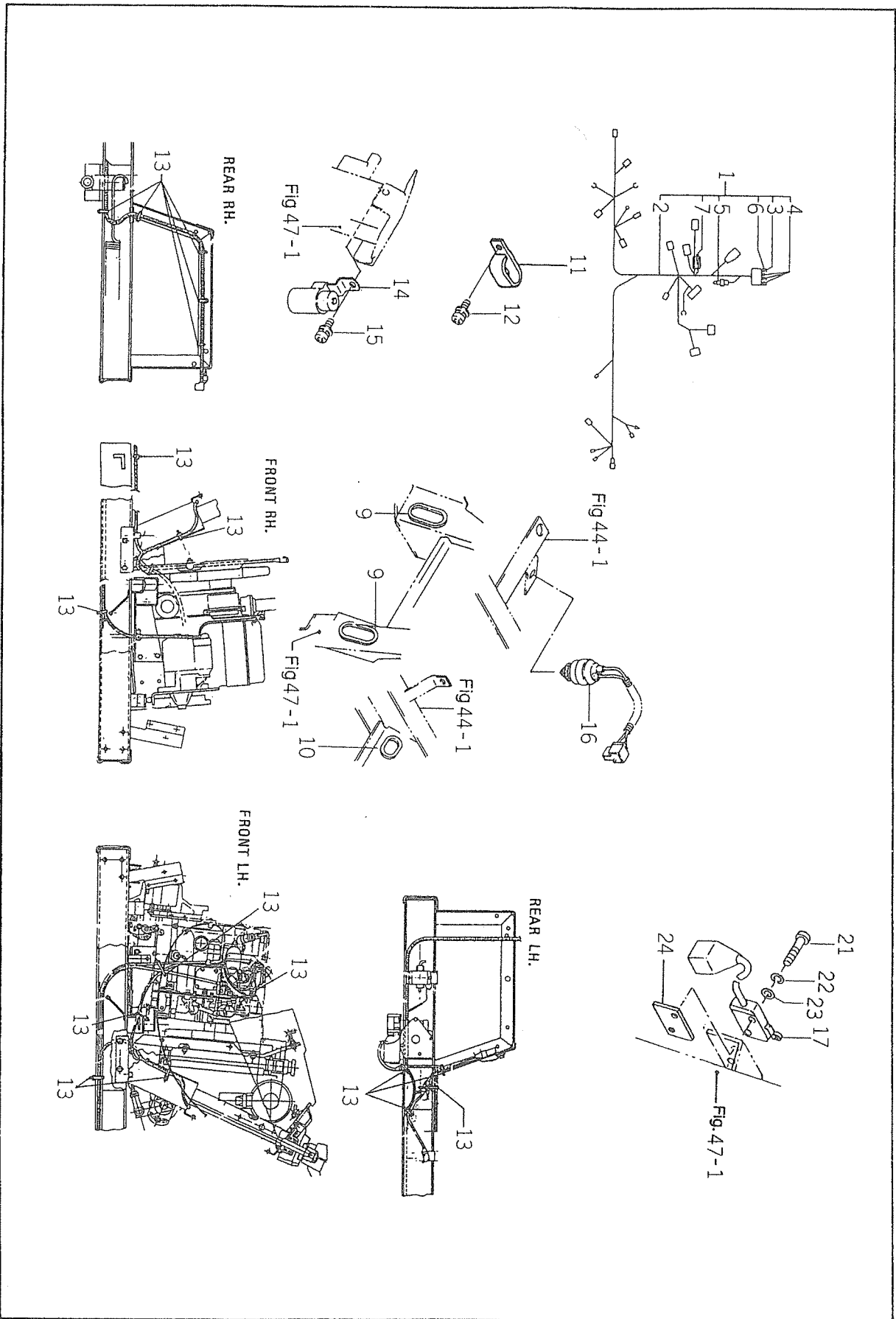


FIG # 58

HHH HHH HHH
 444 444 EEE
 888 888 245
 CCC EEE 000
 EEE 245
 245 000
 000

P. 116

KEY#	S C	P M G	PART CODE	DESCRIPTION	Q T Y	I S C	1 A	2	3	4	5	6	7	8	9	10	11	12	13	14	15	16	17	18	19	20	21	22	23	24	T F	FROM	UPTO	REMARKS			
1			1608-623-500-00	HARNESSES(MAIN) ASSY	1	1	000	000	000	000	000	000	000	000	000	000	000	000	000	000	000	000	000	000	000	000	000	000	000	000	000	000					
2			1575-623-009-00	HARNESSES(MAIN)	1	1	000	000	000	000	000	000	000	000	000	000	000	000	000	000	000	000	000	000	000	000	000	000	000	000	000	000	000				
3			1575-623-010-00	FUSE/32V03A	1	1	000	000	000	000	000	000	000	000	000	000	000	000	000	000	000	000	000	000	000	000	000	000	000	000	000	000	000				
4			1593-623-502-00	FUSE/32V10A	2	2	000	000	000	000	000	000	000	000	000	000	000	000	000	000	000	000	000	000	000	000	000	000	000	000	000	000	000				
5			1593-623-502-00	COUPLER, SHORT	2	2	000	000	000	000	000	000	000	000	000	000	000	000	000	000	000	000	000	000	000	000	000	000	000	000	000	000	000				
6			1593-623-503-00	CAP, FUSE BOX	1	1	000	000	000	000	000	000	000	000	000	000	000	000	000	000	000	000	000	000	000	000	000	000	000	000	000	000	000				
7			3650-262-202-00	DIODE/3.0A	1	1	000	000	000	000	000	000	000	000	000	000	000	000	000	000	000	000	000	000	000	000	000	000	000	000	000	000	000				
8			1593-623-002-00	GROMMET/150	1	1	000	000	000	000	000	000	000	000	000	000	000	000	000	000	000	000	000	000	000	000	000	000	000	000	000	000	000				
9			1593-623-001-00	GROMMET	1	1	000	000	000	000	000	000	000	000	000	000	000	000	000	000	000	000	000	000	000	000	000	000	000	000	000	000	000				
10			3768-172-007-00	CLAMPER, 7 SHORT	2	2	000	000	000	000	000	000	000	000	000	000	000	000	000	000	000	000	000	000	000	000	000	000	000	000	000	000	000				
11			V120-366-001-60	SCREW	2	2	000	000	000	000	000	000	000	000	000	000	000	000	000	000	000	000	000	000	000	000	000	000	000	000	000	000	000				
12			3737-172-010-00	BAND, HARNESSES	15	15	000	000	000	000	000	000	000	000	000	000	000	000	000	000	000	000	000	000	000	000	000	000	000	000	000	000	000				
13			1581-621-290-00	RELAY/4P	1	1	000	000	000	000	000	000	000	000	000	000	000	000	000	000	000	000	000	000	000	000	000	000	000	000	000	000	000				
14			V120-366-001-60	SCREW	1	1	000	000	000	000	000	000	000	000	000	000	000	000	000	000	000	000	000	000	000	000	000	000	000	000	000	000	000				
15			1560-664-250-00	SWITCH, PUSH	1	1	000	000	000	000	000	000	000	000	000	000	000	000	000	000	000	000	000	000	000	000	000	000	000	000	000	000	000				
16			1593-623-520-00	SWITCH, MERIT	1	1	000	000	000	000	000	000	000	000	000	000	000	000	000	000	000	000	000	000	000	000	000	000	000	000	000	000	000				
17			V111-163-002-00	SCREW M3X20	1	1	000	000	000	000	000	000	000	000	000	000	000	000	000	000	000	000	000	000	000	000	000	000	000	000	000	000	000				
18			V401-160-003-00	WASHER, SP/M 3	2	2	000	000	000	000	000	000	000	000	000	000	000	000	000	000	000	000	000	000	000	000	000	000	000	000	000	000	000				
19			V411-260-003-00	WASHER/M3	2	2	000	000	000	000	000	000	000	000	000	000	000	000	000	000	000	000	000	000	000	000	000	000	000	000	000	000	000				
20			3664-276-001-00	PLATE/ IR/13X35	1	1	000	000	000	000	000	000	000	000	000	000	000	000	000	000	000	000	000	000	000	000	000	000	000	000	000	000	000				



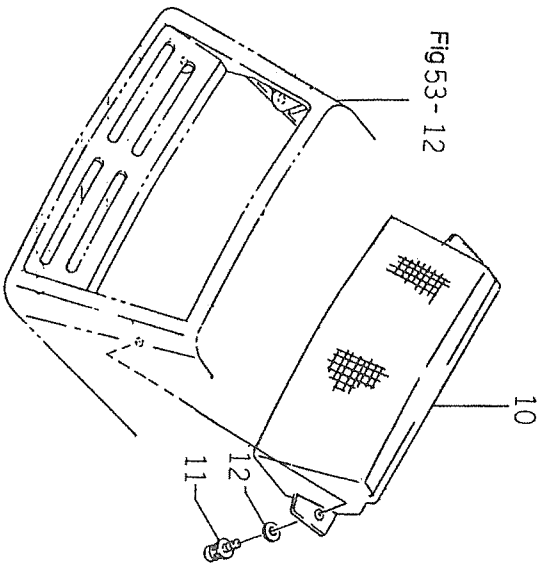
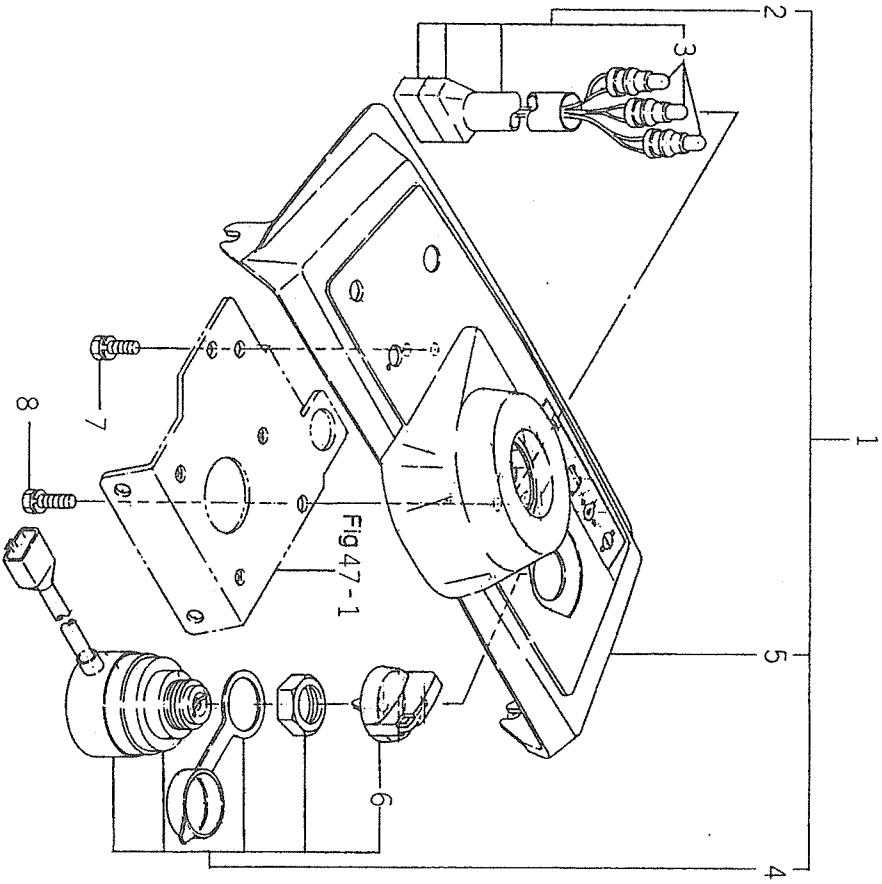


Fig 53 - 12

FIG # 56

P. 112

KEY#	S P C	H H C	PART CODE	DESCRIPTION	Q T Y	I T C	S C	T				REMARKS
								FROM	UPTO			
1			1593-612-004-00	TANK, FUEL	1		000	000	000	000		
2			1593-612-005-00	INSULATOR/10X30X03	4		000	000	000	000		
3			V411-260-008-00	WASHER, PL/M 8	6		000	000	000	000		
4			V500-163-002-00	PIN, SPLIT/3 X20	4		000	000	000	000		
5			1593-612-230-10	CAP, TANK	1		000	000	000	000		
6			2706-501-003-00	BREATHER/TANK CAP	1		000	000	000	000		
7			2706-501-004-00	GASKET/TANK CAP	1		000	000	000	000		
8			1593-612-230-00	GAUGE, FUEL	1		000	000	000	000		
9			1608-616-200-10	STEP	1		000	000	000	000		
10			1593-616-004-20	GROMMET/10X30X5 COMP	4		000	000	000	000		
11			1376-606-005-00	WASHER/9X32X2	4		000	000	000	000		
12			1301-411-005-00	PIN, HAIR	4		000	000	000	000		
13			1593-606-006-10	PIN/8X36	4		000	000	000	000		
14			1608-616-001-10	MAT (LH)	1		000	000	000	000		
15			1608-616-002-10	MAT (RH)	1		000	000	000	000		
16			1527-604-002-00	CLIP (B)	8		000	000	000	000		

HHH HHH HHH
444 444 EEE
888 888 245
CCC EEE 000
EEE 245
245 000
000

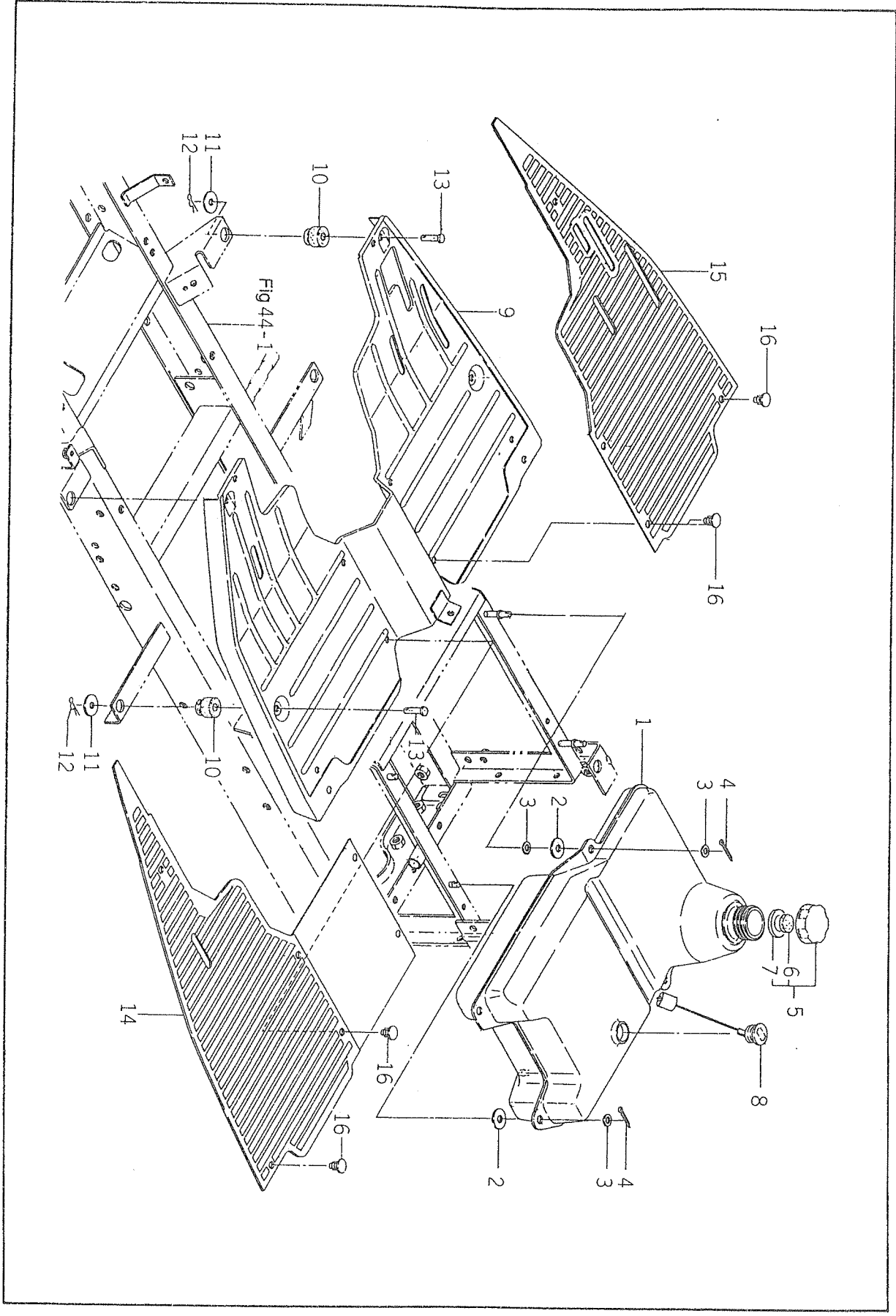


FIG # 55

P. 110

KEY#	S C P H C G	PART CODE	DESCRIPTION	QTY	UNIT	ISS	1	2	3	4	5	6	7	8	9	10	11	12	13	14	15	16	17	18	19	20	T	FROM	UPTO	REMARKS
1		1593-611-100-00	SEAT	1		1	000	000	000	000	000	000	000	000	000	000	000	000	000	000	000	000	000	000	000					
2		1593-611-011-10	HOLDER/SWITCH	1		1	000	000	000	000	000	000	000	000	000	000	000	000	000	000	000	000	000	000	000					
3		1593-623-270-00	SWITCH, SEAT ASSY	1		2	000	000	000	000	000	000	000	000	000	000	000	000	000	000	000	000	000	000	000					
4		1593-623-272-00	BOOT	1		3	000	000	000	000	000	000	000	000	000	000	000	000	000	000	000	000	000	000	000					
5		1593-623-273-00	NUT	1		3	000	000	000	000	000	000	000	000	000	000	000	000	000	000	000	000	000	000	000					
6		V360-260-006-00	NUT/M6	3		2	000	000	000	000	000	000	000	000	000	000	000	000	000	000	000	000	000	000	000					
7		1593-611-210-20	SEAT	1		2	000	000	000	000	000	000	000	000	000	000	000	000	000	000	000	000	000	000	000					
8		1593-611-200-10	STAY, SEAT	1		2	000	000	000	000	000	000	000	000	000	000	000	000	000	000	000	000	000	000	000					
9		1593-611-012-00	BUSH, SEAT	1		2	000	000	000	000	000	000	000	000	000	000	000	000	000	000	000	000	000	000	000					
10		1593-611-013-00	PIN/10X382	1		1	000	000	000	000	000	000	000	000	000	000	000	000	000	000	000	000	000	000	000					
11		V411-260-010-00	WASHER/M10	1		1	000	000	000	000	000	000	000	000	000	000	000	000	000	000	000	000	000	000	000					
12		V500-163-002-00	PIN, SPLIT/3 X20	1		1	000	000	000	000	000	000	000	000	000	000	000	000	000	000	000	000	000	000	000					
13		1593-611-058-00	BOLT, KMOB	2		2	000	000	000	000	000	000	000	000	000	000	000	000	000	000	000	000	000	000	000					
14		3756-315-001-0*	WASHER, TENSION	2		2	000	000	000	000	000	000	000	000	000	000	000	000	000	000	000	000	000	000	000					
15		V305-260-010-00	NUT/M10	4		4	000	000	000	000	000	000	000	000	000	000	000	000	000	000	000	000	000	000	000					
16		1593-611-014-00	SPRING/D=6	2		2	000	000	000	000	000	000	000	000	000	000	000	000	000	000	000	000	000	000	000					
17		1376-606-005-00	WASHER/9X32X2	2		2	000	000	000	000	000	000	000	000	000	000	000	000	000	000	000	000	000	000	000					
18		V304-260-008-00	NUT/M 8	2		2	000	000	000	000	000	000	000	000	000	000	000	000	000	000	000	000	000	000	000					
19		V401-160-008-00	WASHER, SP/M 8	2		2	000	000	000	000	000	000	000	000	000	000	000	000	000	000	000	000	000	000	000					
20		1444-621-008-00	CLAMP	1		1	000	000	000	000	000	000	000	000	000	000	000	000	000	000	000	000	000	000	000					

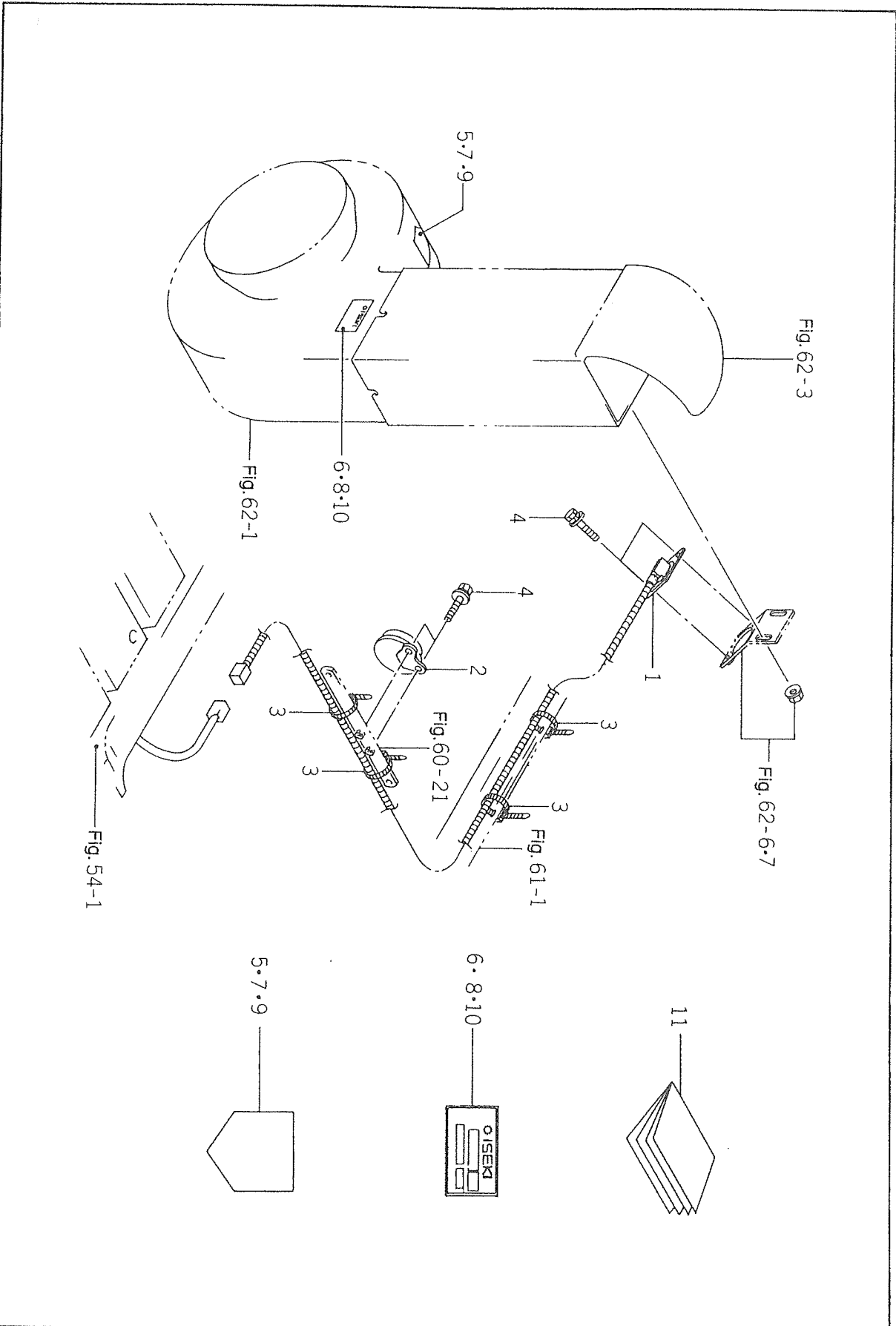


FIG # 66

HHH HHH HHH
 444 444 EEE
 888 888 245
 CCC EEE 000
 EEE 245
 245 000
 000

P. 132

KEY#	S C P H C G	PART CODE	DESCRIPTION	Q T Y	I S C	FROM	UPTO	REMARKS
1		8596-311-200-20	COVER(SHOOTER) COMP	1				
2		8596-311-003-00	WASHER(09X24X02)	4				
3		8596-311-002-20	LID(SHOOTER)	1				
4		V273-160-601-20	BOLT(WING/P)	1				
5		8596-319-001-10	HOSE(SHOOTER)	1				
6		V363-260-008-00	NUT, LOCK/M8	4				
7		8596-311-005-00	PLATE/ 1/16X136	1				
8		V201-260-601-60	BOLT/ M6X16	1				
9		V201-260-602-00	BOLT/ M6X20	1				
10		V201-260-602-50	BOLT/ M6X25	1				
11		V360-260-006-00	NUT/ M6	3				
12		8596-311-004-00	PLATE/ 1/28X125	1				

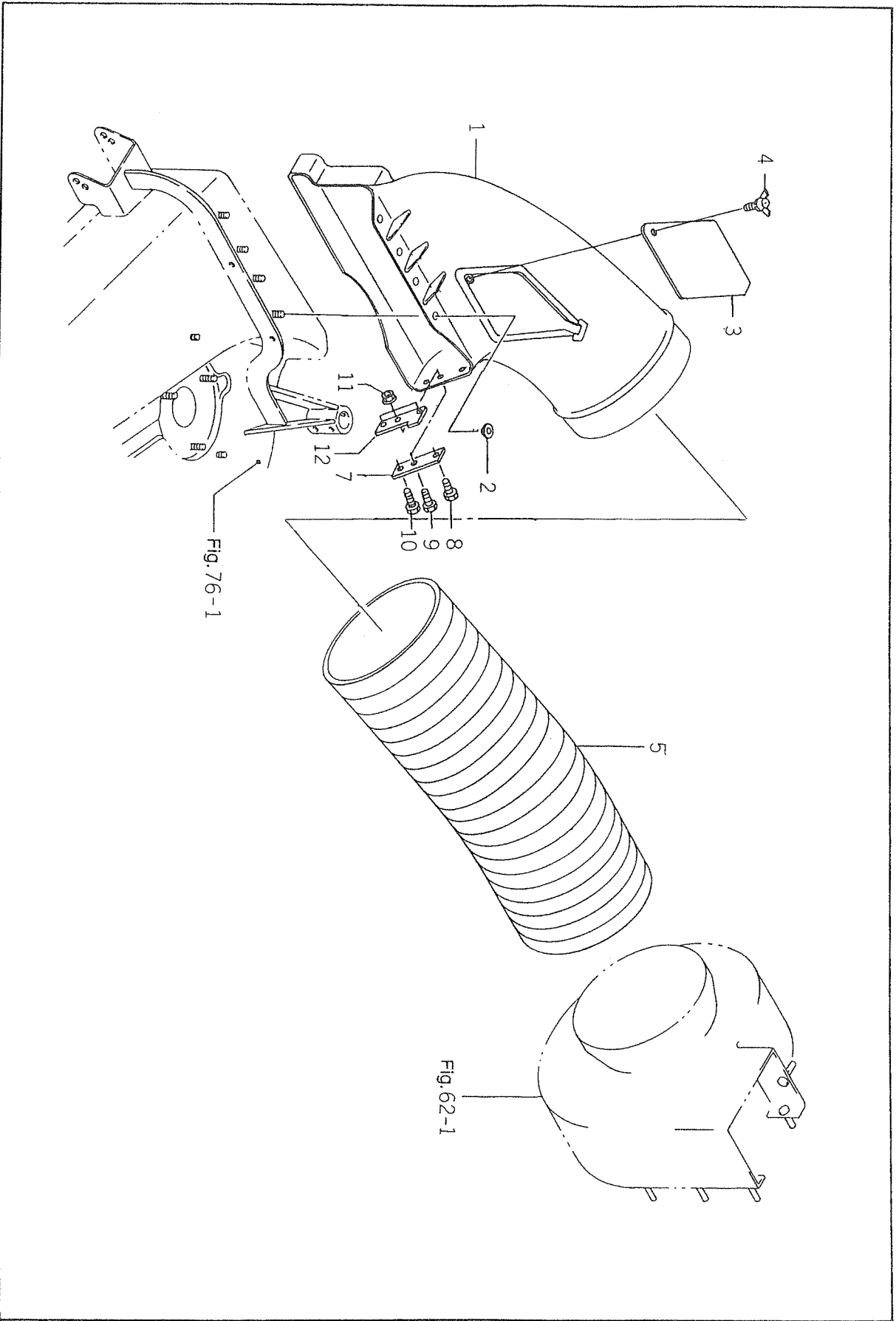


FIG # 65

P. 130

KEY#	S P C	PART CODE	DESCRIPTION	Q T Y	I T E M	S C	T I M E			
							FROM	UPTO	REMARKS	
1		8596-213-200-30	LOCK	1			HHH	HHH	HHH	
2		4301-210-002-00	BOLT(S/M6X16)	4			444	444	EEE	
3		8596-213-003-10	ROD(LOCK)	1			888	888	245	
4		8596-213-002-10	PIN(JOINT)	1			CCC	EEE	000	
5		1373-406-002-00	SPRING,PRESS/100	1			EEE	245		
6		V304-260-008-00	NUT/M 8	3			245	000		
7		V411-260-008-00	WASHER, PL/M 8	3			000			
8		V401-160-008-00	WASHER, SP/M 8	1			000			
9		V500-162-502-00	PIN, SPLIT/2.5X20	1			000			
10		8596-213-001-30	PLATE(I/25X364)	2			000			
11		1305-241-001-00	PIN,HAIR	4			000			
12		8596-214-200-10	BAG(COLLECTOR)	1			000			

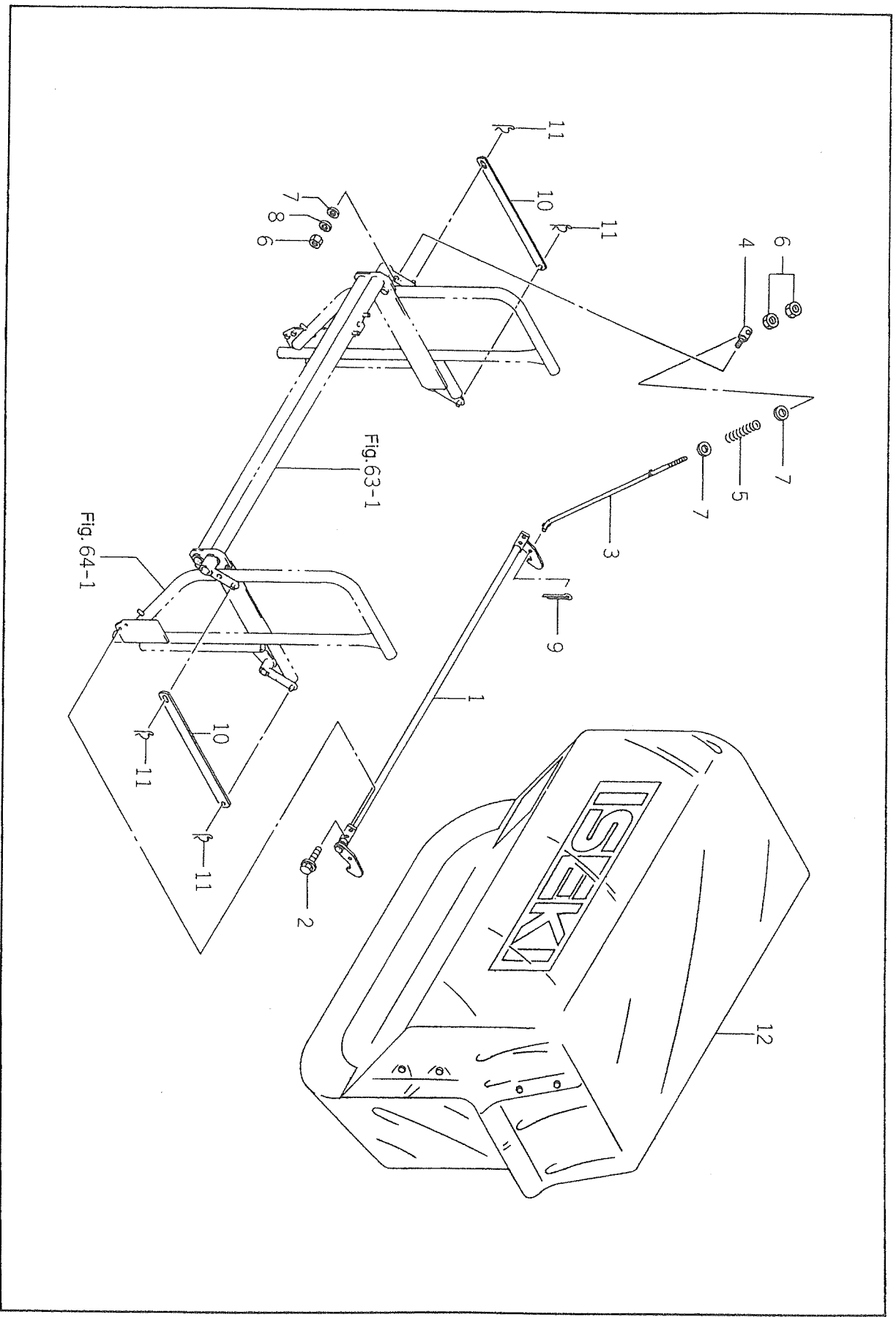


FIG # 64

HHH 444 HHH HHH
 444 444 EEE
 888 888 245
 CCC EEE 000
 EEE 245
 245 000
 000

P. 128

KEY#	S P C	C H G	PART CODE	DESCRIPTION	Q T Y	I T C	S C	FROM	UPTO	REMARKS
1			8596-212-200-40	COLLECTOR(SIDE/LH)	1	1	000			
2			7957-501-004-00	PIN HAIR	1	1	000			
3			8596-212-210-40	COLLECTOR(SIDE/RH)COMP	1	1	000			
4			7957-501-004-00	PIN HAIR	1	1	000			
5			8596-212-220-20	FRAME(OPEN/LH)	1	1	000			
6			8596-212-003-20	PIN(15X51)	1	1	000			
7			V363-260-010-00	NUT/M10	1	1	000			
8			8596-212-230-20	FRAME(OPEN/RH)	1	1	000			
9			8596-212-003-20	PIN(15X51)	1	1	000			
10			V363-260-010-00	NUT/M10	1	1	000			
11			8596-212-240-20	PLATE(UPPER)COLLECTOR	1	1	000			
12			8596-212-001-20	TUBE(INSERT/A)	2	2	000			
13			8596-212-002-20	TUBE(INSERT/B)	2	2	000			
14			8596-212-005-20	COLLAR(08X12X30)	2	2	000			
15			V304-260-008-00	NUT/M 8	4	4	000			
16			V401-160-008-00	WASHER, SP/M 8	4	4	000			
17			V201-260-804-00	BOLT/M 8X40	2	2	000			
18			V201-260-807-00	BOLT/M 8X70	2	2	000			

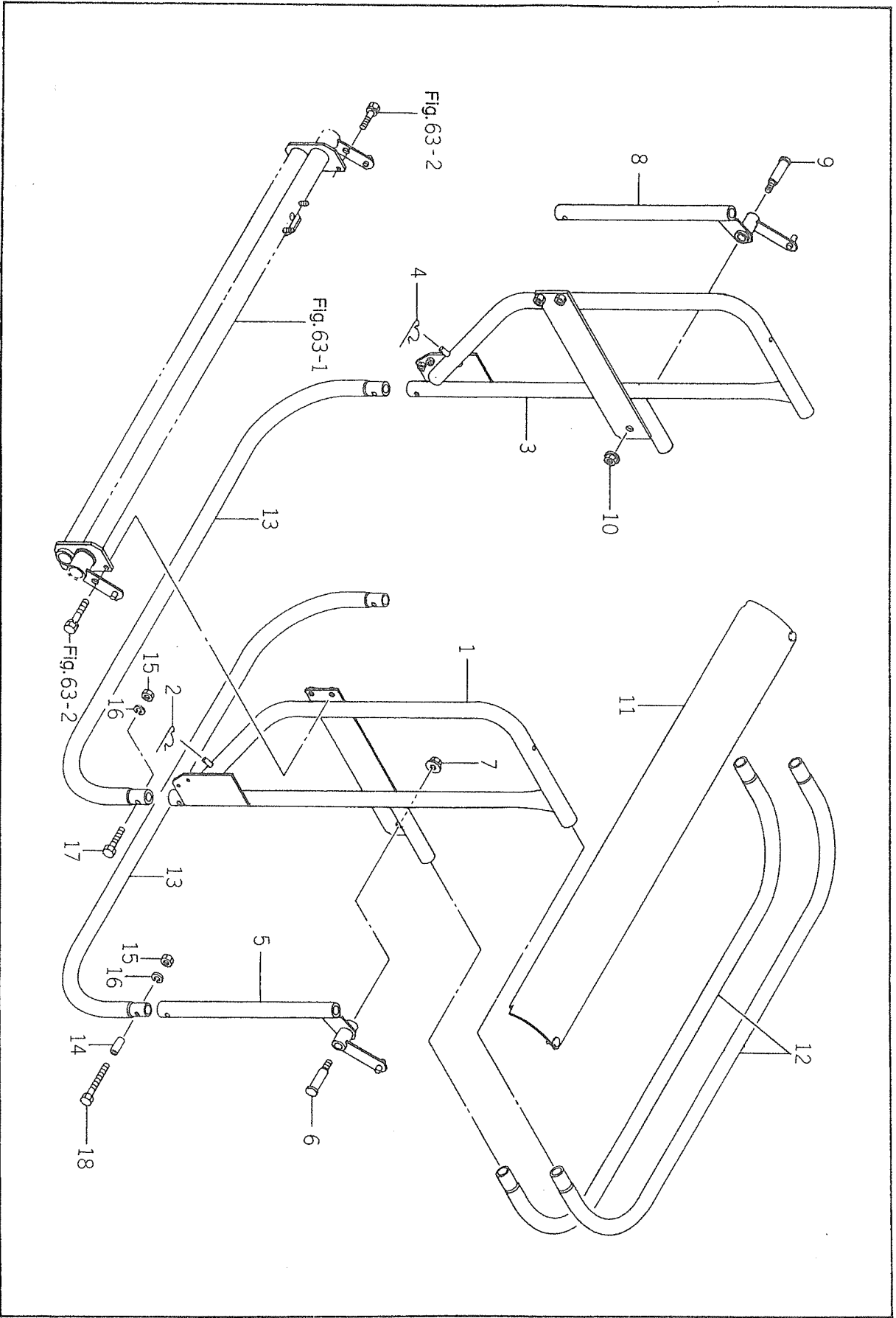


FIG # 63

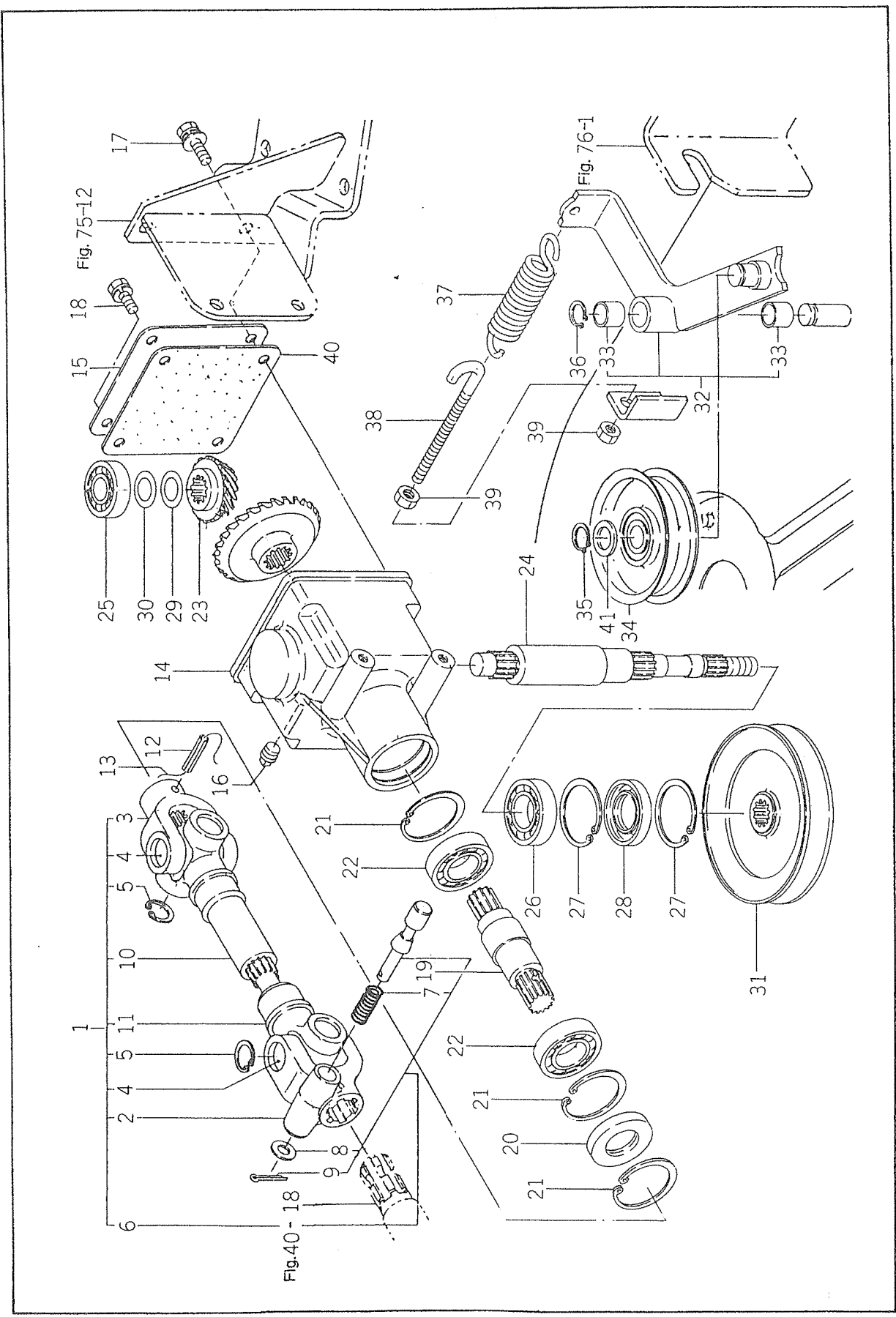
HHH 444 HHH HHH
 888 888 245
 CCC EEE 000
 EEE 245
 245 000
 000

P. 126

KEY#	S C	P H G	PART CODE	DESCRIPTION	Q T Y	I T C	S C	FROM	UPTO	REMARKS
1			8596-211-200-50	PIPE(COLLECTOR) COMP	1	4	000			
2			V211-260-802-00	BOLT, SEMS (S)	1	1	000			
3			8596-211-210-30	LEVER(COLLECTOR) COMP	1	1	000			
4			V304-260-010-00	NUT	2	2	000			
5			V401-160-010-00	WASHER, SP/M10	1	1	000			
6			2100-401-001-00	GRIP, HANDLE	1	1	000			
7			3615-820-003-00	PLUG	1	4	000			

KEY#	S P C	C H G	PART CODE	DESCRIPTION	QTY	UNIT	SI	FROM	UPTO	REMARKS
1			8596-621-200-10	SENSOR (COLLECTOR)	1		000			
2			3656-271-290-10	HORWASSY	1		000			
3			1376-402-003-00	BAND WIRE/140	4		000			
4			V211-360-601-60	BOLT (SP)	4		000			
5			8595-901-002-00	LABEL, DANGER/D	1		0			
6			8596-911-001-00	LABEL (MODEL/SBC350)	1		0			
7			8595-903-001-00	LABEL	1		0			
8			8596-911-001-00	LABEL (MODEL/SBC350)	1		0			
9			8595-902-001-10	LABEL (DINGER/F)	1		0			
10			8596-911-001-00	LABEL (MODEL/SBC350)	1		0			
11			8596-920-001-00	MANUAL FOR ASSEMBLY (SB	1		000			

HHH HHH HHH
 444 444 EEE
 888 888 245
 CCC EEE 000
 EEE 245
 245 000
 000

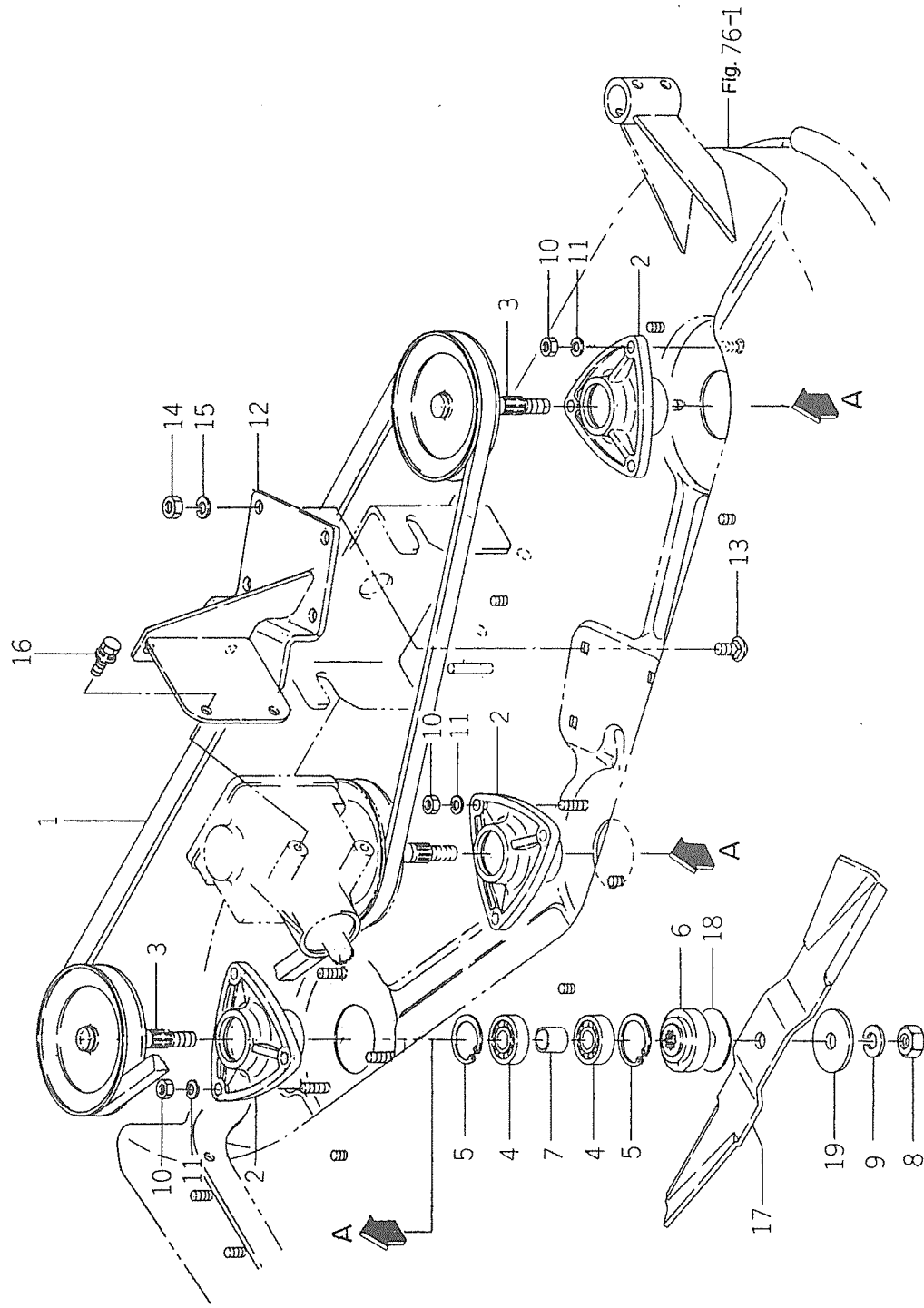


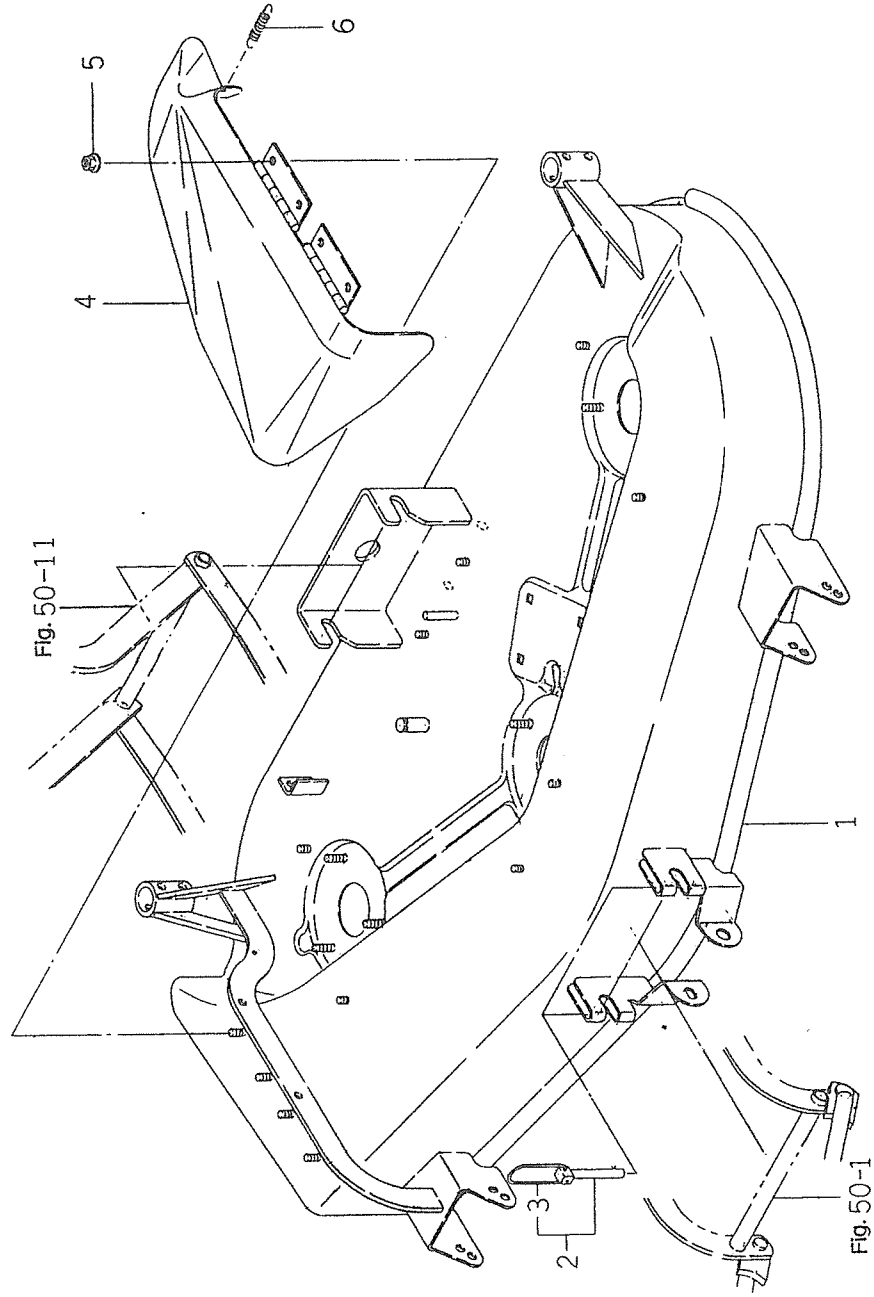
KEY#	S C P C G	P C H C	PART CODE	DESCRIPTION	Q T Y	I T C	S C	HHH 444 888 CCC EEE 245 245 000	HHH HHH EEE 245 000	FROM	UPTO	REMARKS
1			8595-101-210-20	JOINT, UNIVERSAL ASSY	1	1	1	000 000	000 000			
2			8592-011-201-00	YOKE, SPLINE/A	1	2	1	000 000	000 000			
3			1427-431-011-0*	YOKE, SPLINE B	1	2	1	000 000	000 000			
3A			-1	MIRROR BLARK	2	2	1	000 000	000 000			
4			8592-011-204-00	JOURNAL KIT	8	8	1	000 000	000 000			
5			V705-140-020-00	RING, SNAP/20 C	1	1	1	000 000	000 000			
6			7918-101-240-00	PIN/ 14X73 SET	1	1	1	000 000	000 000			
7			7918-101-242-00	SPRING/ HC12X38	1	1	1	000 000	000 000			
8			V411-260-008-00	WASHER/ M8	1	1	1	000 000	000 000			
9			V500-162-501-50	PIN, SPLIT/ 2.5X15	1	1	1	000 000	000 000			
10			8595-101-211-00	YOKE, SLEEVE	1	2	1	000 000	000 000			
11			8595-101-212-00	YOKE, SLEEVE, SHAFT	1	1	1	000 000	000 000			
12			V580-140-603-20	PIN, SPRING/6X32 W	1	1	1	000 000	000 000			
13				WIRE/ 1X150	1	1	1	000 000	000 000			
14			8595-201-051-10	CASE, BEVEL	1	1	1	000 000	000 000			
15			8595-201-052-20	PLATE/ I/108X112	1	1	1	000 000	000 000			
16			V781-100-000-40	PLUG/PT1/4	1	1	1	000 000	000 000			
17			V211-360-802-00	BOLT (SP) M8X20	2	2	1	000 000	000 000			
18			V211-260-801-60	BOLT, SEMS (S) M8X16	2	2	1	000 000	000 000			
19			8595-201-054-10	SHAFT, INPUT	1	1	1	000 000	000 000			
20			V744-125-470-80	SEAL, OIL/TC25478	1	1	1	000 000	000 000			
21			V705-140-047-00	RING, SNAP/47 C	3	3	1	000 000	000 000			
22			8595-201-009-00	BEARING	2	2	1	000 000	000 000			
23			8595-201-200-00	GEAR, BEVEL/16-28	1	1	1	000 000	000 000			
24			8595-201-057-30	SHAFT	1	1	1	000 000	000 000			
25			V600-110-620-30	BEARING, RB/6203	1	1	1	000 000	000 000			
26			8595-201-009-00	BEARING	2	2	1	000 000	000 000			
27			V705-140-047-00	RING, SNAP/47 C	1	1	1	000 000	000 000			
28			V744-125-470-80	SEAL, OIL/TC25478	1	1	1	000 000	000 000			
29			8595-201-069-00	SHIM/0.1	1	1	1	000 000	000 000			
30			8595-201-071-00	SHIM/0.2	1	1	1	000 000	000 000			
31			8595-202-500-20	PULLEY/ VB120 COMP	1	1	1	000 000	000 000			
32			8595-202-520-00	ARM, TENSION ASSY	1	1	1	000 000	000 000			
32A			8595-202-520-10	ARM, TENSION ASSY	1	2	1	000 000	000 000			
33			1560-275-012-00	BUSH/ 16X18X20	2	2	1	000 000	000 000			
34			8593-014-200-00	PULLEY, TENSION	1	1	1	000 000	000 000			
34A			8593-014-200-10	PULLEY, TENSION	1	1	1	000 000	000 000			
35			V704-140-017-00	RING, SNAP/17 C	1	1	1	000 000	000 000			
36			V704-140-016-00	RING, SNAP/16 C	1	1	1	000 000	000 000			
37			3737-341-006-00	SPRING, CHAIN TENSION	1	1	1	000 000	000 000			
38			3737-341-007-00	ROD, CHAIN TENSION	1	1	1	000 000	000 000			
39			V304-260-008-00	NUT/M8	2	2	1	000 000	000 000			
40			8595-201-053-20	GASKET, CASE	1	1	1	000 000	000 000			
41			3621-211-003-00	WASHER, TENSION ARM	1	1	1	000 000	000 000			

T T

249

248





KEY#	S P C	C H G	PART CODE	DESCRIPTION	Q T Y	I T C	S T C	000 000 000 000 000 000	FROM	UPTO	REMARKS
1			8595-402-500-60	DECK/ 48	1	1	000 000 ***				
2			8595-405-500-10	PIN/STOPPER	2	2	000 000 ***				
3			8595-405-502-10	RING	2	2	000 000 ***				
4			8595-406-210-40	COVER/DISCHARGE COMP	1	1	000 000 ***				
5			V363-260-008-00	NUT LOCK/M8	4	4	000 000 ***				
6			3768-112-001-00	SPRING, CLUTCH RETURN	1	1	000 000 ***				

HHH HHH HHH
 444 444 EEE
 888 888 245
 CCC EEE 000
 EEE 245
 245 000
 000

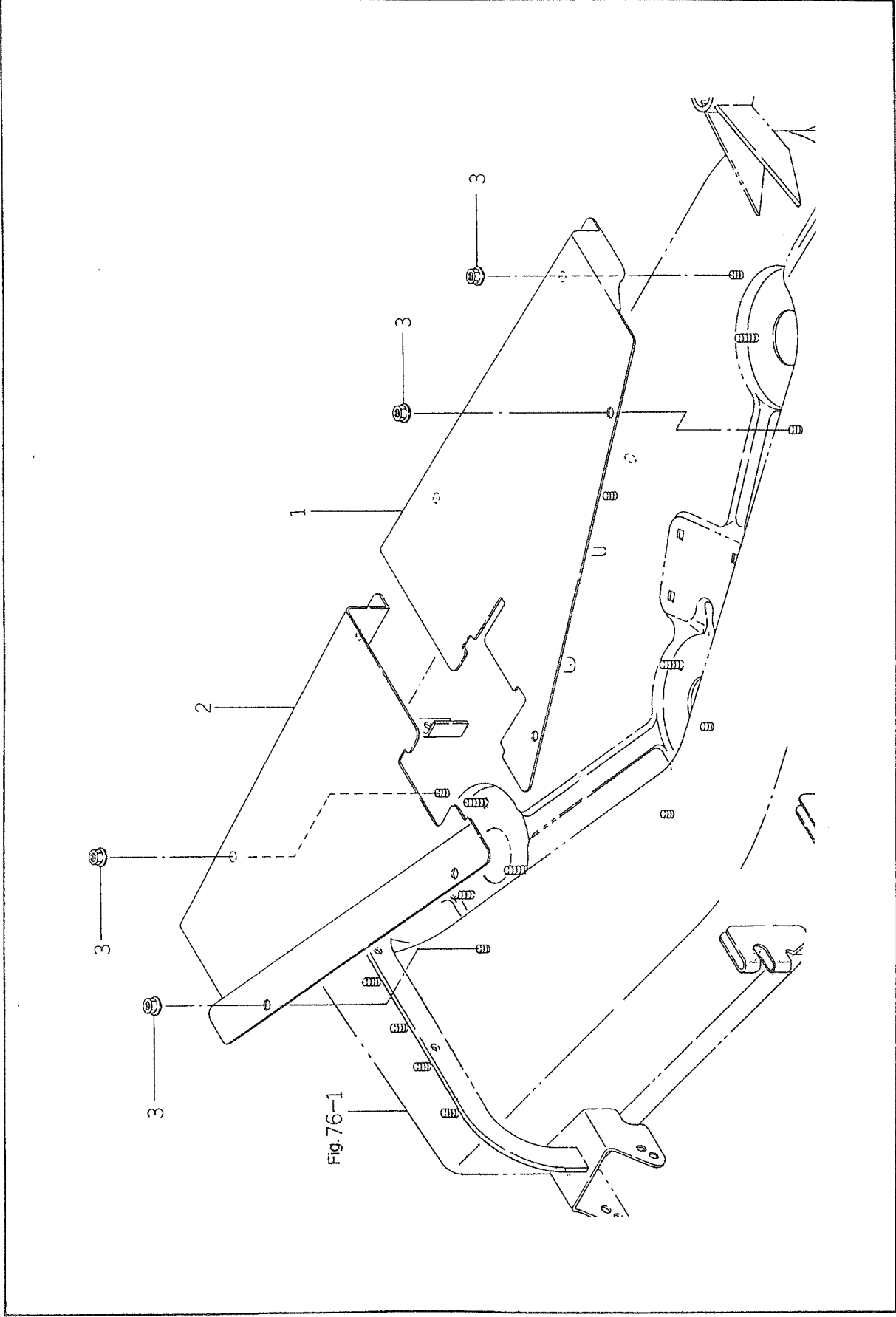


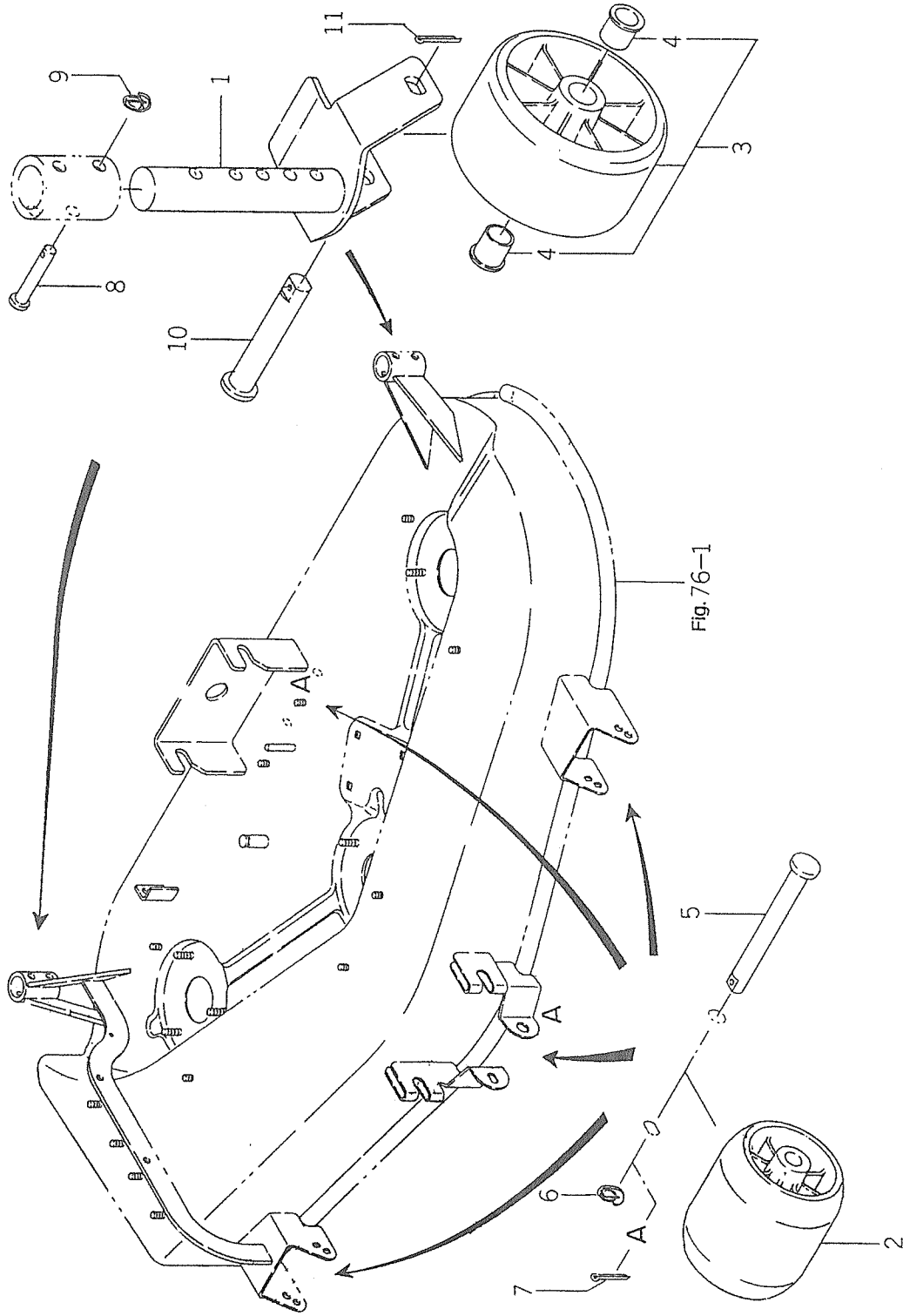
FIG # 77

P. 142

KEY#	S P C	C H G	PART CODE	DESCRIPTION	Q T Y	T T C	U N I T S	U P T O	F R O M	R E M A R K S
1			8595-407-540-20	COVER, BELT/LH	1		000 000 ***			
2			8595-407-570-30	COVER, BELT/RH	1		000 000 ***			
3			V361-260-008-00	NUT/H8	8		000 000 ***			

HHH HHH HHH
 444 444 EEE
 888 888 245
 CCC EEE 000
 EEE 245
 245 000
 000

FORK (WHEEL) and WHEEL (GAUGE) SYSTEM



KEY#	S P C	C H G	PART CODE	DESCRIPTION	Q T Y	I T C	S T C	HHH 444 888 CCC EEE 245 000	HHH 444 888 CCC EEE 245 000	FROM	UPTO	REMARKS
1			8595-501-500-30	FORK, WHEEL	2			000 000 ***				
2			8595-501-001-10	WHEEL, GAUGE FRONT	6			000 000 ***				
3			8595-501-510-00	WHEEL, GAUGE ASSY	2	1		000 000 ***				
4			1560-285-006-20	BUSH/ 16X24X21	4	2		000 000 ***				
5			8595-505-051-00	PIN/12X104	4			000 000 ***				
6			1427-317-003-00	CLIP, PIN	2			000 000 ***				
7			V500-163-002-50	PIN, SPLIT/3 X25	2			000 000 ***				
8			8595-505-002-00	PIN/08X44	2			000 000 ***				
9			1427-317-003-00	CLIP, PIN	2			000 000 ***				
10			8595-501-005-00	PIN/16X88	2			000 000 ***				
11			V500-163-003-00	PIN, SPLIT/3 X30	2			000 000 ***				

KEY#	S C	P H C	G	PART CODE	DESCRIPTION	Q T Y	I T C	S C	HHH 444 888 CCC EEE 245 000	HHH 444 888 CCC EEE 245 000	FROM	UPTO	REMARKS
1				8595-901-001-00	LABEL, MODEL/SSM48	1			0	*			
2				8595-901-002-00	LABEL, DANGER/D	2			0	*			
3				8595-901-003-00	LABEL, DISCHARGE/D	1			0	*			
4				8595-901-004-10	LABEL/WHEEL, GAUGE D	1			0	*			
5				8595-901-001-00	LABEL, MODEL/SSM48	1			0	*			
6				8595-902-001-10	LABEL/ F	2			00	00	*		
7				8595-902-002-00	LABEL, DISCHARGE/F	1			0	0	*		
8				8595-902-003-10	LABEL/WHEEL, GAUGE/F	1			00	00	*		
9				8595-901-001-00	LABEL, MODEL/SSM48	1			0	0	*		
10				8595-903-001-00	LABEL	2			0	0	*		
11				8595-903-002-00	LABEL	1			0	0	*		
12				8595-903-003-00	LABEL, WHEEL GAUGE/E	1			0	0	*		

PART CODE	REF. NO.	PART CODE	REF. NO.	PART CODE	REF. NO.	PART CODE	REF. NO.	PART CODE	REF. NO.	PART CODE	REF. NO.
1301-411-005-00	54	1480-207-011-00	48	1593-112-051-30	24	1593-402-052-30	45	1593-601-062-20	1	1593-601-062-20	52
	56	1518-621-560-00	54	1593-112-200-00	24	1593-402-510-40	45	1593-601-064-20	4	1593-601-064-20	53
1305-241-001-00	65	1524-122-001-00	38	1593-112-510-30	24	1593-403-001-10	46	1593-601-065-10	11	1593-601-065-10	47
1323-220-012-00	37	1527-604-002-00	56	1593-112-520-00	24	1593-403-003-10	46	1593-601-067-10	10	1593-601-067-10	52
1337-401-006-00	38	1544-104-203-00	22	1593-117-001-40	25	1593-403-004-10	46	1593-601-068-10	3	1593-601-068-10	52
	42	1544-104-204-00	22	1593-117-003-10	25	1593-403-005-00	46		29		52
1365-121-005-00	41	1544-104-205-00	22	1593-117-200-10	25	1593-403-007-20	46	1593-601-069-00	23	1593-601-069-00	47
	41	1560-104-010-40	20	1593-117-510-20	25	1593-403-009-00	46	1593-601-071-00	4	1593-601-071-00	52
1373-406-002-00	65	1560-132-007-30	38	1593-122-051-00	26	1593-403-052-30	46	1593-601-072-00	15	1593-601-072-00	52
1374-401-001-00	61	1560-664-250-00	58	1593-203-058-20	29	1593-403-056-30	46	1593-601-073-00	16	1593-601-073-00	53
	46	1564-512-001-00	47	1593-304-008-00	36	1593-403-058-20	46	1593-601-271-20	27	1593-601-271-20	52
1376-402-003-00	73	1575-623-009-00	58	1593-304-051-20	36	1593-403-500-50	46	1593-601-500-40	1	1593-601-500-40	52
1376-606-005-00	54	1575-623-010-00	58	1593-304-053-10	36	1593-403-510-50	46	1593-601-510-00	2	1593-601-510-00	53
	55	1581-621-290-00	58	1593-304-055-10	36	1593-403-530-60	46	1593-601-521-10	20	1593-601-521-10	53
	56	1581-740-116-00	53	1593-304-057-10	36	1593-406-004-00	47	1593-601-522-30	10	1593-601-522-30	53
1383-452-001-00	40	1588-105-210-00	23	1593-307-051-20	36	1593-406-005-10	47	1593-601-523-10	9	1593-601-523-10	53
1386-241-002-00	39	1593-101-003-20	19	1593-307-052-10	36	1593-406-006-00	47	1593-601-524-10	13	1593-601-524-10	53
	49	1593-101-009-10	19	1593-307-052-10	36	1593-406-008-00	47	1593-601-525-10	5	1593-601-525-10	53
1414-117-005-00	25	1593-101-011-10	19	1593-307-053-10	36	1593-406-240-10	47	1593-601-530-00	12	1593-601-530-00	53
1415-120-006-00	38	1593-101-012-00	19	1593-307-053-10	36	1593-406-250-00	47	1593-601-540-00	8	1593-601-540-00	53
	42	1593-101-012-00	35		18		18		1	1593-601-561-20	52
1415-216-602-00	46	1593-101-210-40	19	1593-310-054-20	37	1593-407-002-00	48	1593-601-581-20	6	1593-601-581-20	52
1417-102-005-00	1	1593-101-220-40	19	1593-310-520-20	37	1593-407-004-40	48	1593-606-006-10	3	1593-606-006-10	54
	11	1593-102-001-10	20	1593-310-530-00	37	1593-407-006-00	48		7		56
	20	1593-102-002-10	20	1593-312-056-20	38	1593-407-007-10	48	1593-611-011-10	15	1593-611-011-10	55
1424-101-004-00	20	1593-102-003-20	20		13		13		1	1593-611-012-00	55
1424-101-203-00	20	1593-102-004-20	20	1593-317-201-00	39	1593-407-200-40	48	1593-611-013-00	5	1593-611-013-00	55
1424-101-204-00	20	1593-102-005-30	20	1593-317-210-00	39	1593-407-510-50	48	1593-611-014-00	11	1593-611-014-00	55
1425-621-004-00	21	1593-102-006-40	20	1593-332-051-20	40	1593-407-520-30	48	1593-611-058-00	16	1593-611-058-00	55
	47	1593-102-009-10	20	1593-332-052-00	40	1593-407-530-30	48	1593-611-100-00	18	1593-611-100-00	55
1427-130-260-00	40	1593-102-011-00	20	1593-332-053-00	40	1593-411-001-10	49	1593-611-200-10	7	1593-611-200-10	55
1427-317-003-00	78	1593-102-012-00	20	1593-333-500-30	40	1593-411-052-20	49	1593-611-210-20	8	1593-611-210-20	55
	78	1593-102-500-00	20	1593-334-054-20	40	1593-411-053-10	49	1593-612-004-00	9	1593-612-004-00	56
1427-431-011-00	74	1593-102-502-00	20	1593-334-055-00	40	1593-411-201-00	49	1593-612-005-00	2	1593-612-005-00	56
1427-621-002-10	24	1593-102-503-00	20	1593-334-056-40	40	1593-411-610-10	49	1593-612-220-10	3	1593-612-220-10	56
1427-621-012-00	47	1593-102-504-00	20	1593-334-310-00	40	1593-553-003-20	50	1593-612-230-00	2	1593-612-230-00	56
1427-934-013-00	59	1593-102-505-00	20	1593-335-058-00	40	1593-553-007-20	50	1593-616-004-20	7	1593-616-004-20	54
1427-941-016-00	59	1593-103-053-10	21	1593-335-500-30	40	1593-553-540-20	50		1		56
1432-242-004-00	51	1593-103-500-10	21	1593-341-008-00	43	1593-553-550-10	50	1593-621-001-30	6	1593-621-001-30	57
1435-201-220-00	31	1593-104-001-30	22	1593-341-009-00	43	1593-553-670-30	50	1593-621-250-10	12	1593-621-250-10	57
1444-111-003-00	24	1593-104-004-00	22	1593-342-001-00	43	1593-601-002-40	52	1593-621-510-30	10	1593-621-510-30	57
1444-122-002-00	38	1593-104-500-00	22	1593-342-200-00	43	1593-601-008-10	53	1593-622-211-10	12	1593-622-211-10	57
1444-601-015-00	57	1593-104-502-00	22	1593-401-071-40	44	1593-601-009-00	52	1593-623-001-00	7	1593-623-001-00	24
1444-621-008-00	55	1593-112-002-50	24	1593-401-570-00	44	1593-601-054-00	53	1593-601-054-00	15	1593-601-054-00	58
1480-102-007-00	20	1593-112-003-20	24	1593-401-580-00	44	1593-601-061-20	53	1593-601-061-20	14	1593-601-061-20	58

*** NUMERICAL INDEX ***

PART CODE	REF. NO.	PART CODE	REF. NO.	PART CODE	REF. NO.	PART CODE	REF. NO.	PART CODE	REF. NO.	PART CODE	REF. NO.
1593-623-270-00	55 - 3	1608-206-001-00	31 - 7	1608-341-013-00	43 - 12	3517-205-007-00	42 - 19	3748-185-101-00	32 - 39		
1593-623-272-00	55 - 4	1608-206-002-00	32 - 31	1608-341-014-10	43 - 13	3600-201-013-00	38 - 15	3748-185-102-10	32 - 40		
1593-623-273-00	55 - 5	1608-206-003-00	32 - 34	1608-341-015-00	43 - 14	3610-631-002-00	52 - 5	3748-185-103-00	32 - 41		
1593-623-502-00	58 - 5	1608-206-004-00	32 - 35	1608-341-016-00	43 - 15	3614-261-002-00	57 - 6	3756-315-001-00	55 - 14		
1593-623-503-00	58 - 6	1608-206-220-00	32 - 1	1608-341-021-10	42 - 14	3615-820-003-00	63 - 7	3768-112-001-00	76 - 6		
1593-623-520-00	58 - 17	1608-206-230-00	32 - 21	1608-341-023-00	42 - 8	3615-820-240-10	62 - 6	3768-172-007-00	58 - 11		
1593-901-001-00	59 - 1	1608-206-240-00	32 - 19	1608-341-025-10	42 - 24	3621-702-003-00	46 - 7	3768-185-022-10	32 - 20		
1593-901-002-00	59 - 2	1608-207-003-20	34 - 10	1608-341-026-00	41 - 21	3623-820-013-00	44 - 3	4106-105-303-00	25 - 5		
1593-901-005-00	59 - 4	1608-207-004-10	34 - 11	1608-341-027-00	43 - 4	3625-212-007-00	46 - 17		40 - 13		
1593-901-009-00	59 - 7		34 - 20	1608-341-200-00	43 - 3	3625-540-004-00	3 - 23		42 - 4		
1593-904-001-00	59 - 9	1608-207-006-10	35 - 8	1608-341-210-10	41 - 1	3626-276-003-00	24 - 20	4301-210-002-00	65 - 2		
1593-904-003-00	59 - 11	1608-207-007-10	35 - 9	1608-341-220-20	41 - 10	3631-221-001-00	19 - 9	4319-911-001-00	59 - 27		
1593-904-007-00	59 - 13	1608-207-008-00	35 - 15	1608-341-230-20	42 - 1	3631-353-001-10	28 - 15	5001-401-061-40	17 - 12		
1593-905-001-00	59 - 15	1608-207-009-20	35 - 16	1608-341-240-10	42 - 3	3631-353-002-10	32 - 36	5001-655-012-20	17 - 7		
1593-905-003-00	59 - 17	1608-207-011-00	33 - 21	1608-341-250-10	42 - 6	3631-671-003-00	33 - 14	5001-655-016-20	17 - 10		
1593-905-007-00	59 - 19	1608-207-012-00	33 - 27	1608-341-260-20	42 - 12	3632-360-008-00	13 - 18	5002-650-610-40	17 - 40		
1593-906-001-00	59 - 21	1608-207-014-00	34 - 22	1608-341-310-10	43 - 10	3632-360-036-00	13 - 15	5014-011-036-20	17 - 3		
1593-906-003-00	59 - 23	1608-207-200-20	33 - 1	1608-341-320-10	43 - 17	3646-703-001-00	40 - 3	5014-011-232-00	17 - 4		
1593-906-007-00	59 - 25	1608-207-210-20	33 - 22	1608-341-330-00	41 - 18	3650-262-202-00	58 - 7	5014-011-522-00	17 - 5		
1600-902-023-00	59 - 14	1608-207-220-20	33 - 7	1608-401-200-30	44 - 1	3650-270-214-00	57 - 3	5014-011-672-20	17 - 6		
1608-105-001-20	23 - 13	1608-207-230-00	33 - 11	1608-553-200-20	50 - 11	3652-261-202-00	24 - 17	5014-012-400-00	17 - 11		
1608-105-002-10	23 - 15	1608-207-240-20	34 - 1	1608-554-001-00	51 - 11	3656-115-001-00	33 - 10	5014-013-100-20	17 - 8		
1608-105-003-20	23 - 11	1608-207-250-20	34 - 6	1608-554-002-00	51 - 14	3656-221-001-00	51 - 8	5014-015-396-20	17 - 2		
1608-105-210-00	23 - 18	1608-207-260-20	34 - 15	1608-554-200-10	51 - 1	3656-271-290-10	73 - 2	5014-020-023-20	17 - 13		
1608-105-220-10	23 - 6	1608-207-270-10	35 - 1	1608-554-210-00	51 - 4	3656-354-004-10	32 - 37	5014-021-203-00	17 - 14		
1608-105-221-00	23 - 7	1608-207-280-10	33 - 15	1608-554-600-10	51 - 7	3659-310-004-00	13 - 14	5014-021-308-00	17 - 15		
1608-105-222-10	23 - 8	1608-207-290-00	35 - 4	1608-606-200-10	54 - 1	3659-352-002-00	32 - 18	5014-021-520-00	17 - 16		
1608-122-001-00	26 - 9	1608-207-310-00	34 - 3	1608-616-001-10	56 - 14	3728-552-008-00	42 - 21	5014-021-613-00	17 - 17		
1608-122-002-10	26 - 11	1608-304-001-00	36 - 2	1608-616-002-10	56 - 15	3737-113-005-00	27 - 6	5014-024-135-20	17 - 37		
1608-122-200-30	26 - 4	1608-310-001-30	37 - 6	1608-616-200-10	56 - 9	3737-122-001-00	41 - 12	5014-024-332-21	17 - 34		
1608-122-210-10	26 - 5	1608-310-002-00	37 - 10	1608-623-500-00	58 - 1	3737-172-010-00	58 - 13	5014-025-200-00	17 - 36		
1608-122-220-10	26 - 6	1608-310-200-10	37 - 1	1608-901-001-00	59 - 3	3737-172-011-00	19 - 5	5014-025-414-00	17 - 19		
1608-201-001-10	27 - 1	1608-312-002-10	38 - 7	1608-901-002-00	59 - 6	3737-233-006-00	61 - 7	5014-025-415-00	17 - 20		
1608-201-002-20	27 - 11	1608-312-003-20	38 - 8	1608-901-003-10	59 - 5	3737-313-005-00	61 - 4	5014-025-416-00	17 - 21		
1608-201-004-10	28 - 1	1608-312-005-00	38 - 3	1608-901-004-00	59 - 8	3737-341-006-00	74 - 37	5014-025-417-00	17 - 22		
1608-201-005-10	28 - 5	1608-312-006-00	38 - 26	1608-904-001-00	59 - 10	3737-341-007-00	74 - 38	5014-025-418-00	17 - 23		
1608-201-006-00	28 - 10	1608-312-200-20	38 - 1	1608-904-006-00	59 - 12	3741-141-005-00	13 - 16	5014-025-419-00	17 - 24		
1608-201-007-00	28 - 11	1608-312-210-20	38 - 4	1608-905-001-00	59 - 16		23 - 9	5014-025-420-00	17 - 25		
1608-201-008-00	28 - 12	1608-312-220-00	38 - 22	1608-905-006-00	59 - 18		23 - 12	5014-025-421-00	17 - 26		
1608-201-011-10	28 - 17	1608-313-200-10	38 - 14	1608-906-001-00	59 - 22		23 - 14	5014-025-422-00	17 - 27		
1608-201-013-00	28 - 20	1608-341-001-10	41 - 2	1608-906-006-00	59 - 24		23 - 16	5014-025-423-00	17 - 28		
1608-201-200-10	28 - 8	1608-341-003-10	41 - 6	2100-401-001-00	63 - 6	3741-141-006-00	23 - 10	5014-025-424-00	17 - 29		
1608-203-200-00	29 - 1	1608-341-006-10	41 - 14	2111-101-011-00	28 - 14		23 - 17	5014-025-425-00	17 - 30		
1608-203-210-00	29 - 12	1608-341-008-00	41 - 20	2137-223-004-00	28 - 6		23 - 23	5014-025-426-00	17 - 31		
1608-205-200-00	30 - 1	1608-341-012-00	43 - 6	2142-111-006-00	28 - 13	3748-185-100-10	32 - 38	5014-025-427-00	17 - 32		

PART CODE	REF. NO.	PART CODE	REF. NO.	PART CODE	REF. NO.	PART CODE	REF. NO.	PART CODE	REF. NO.	PART CODE	REF. NO.
5014-025-428-00	17 - 33	6211-291-001-10	2 - 20	6212-552-001-00	8 - 10	6215-410-034-10	13 - 4	6281-229-026-00	18 - 11		
5014-025-429-00	17 - 18	6211-292-001-10	2 - 21	6212-561-001-00	8 - 11	6215-412-001-10	13 - 8	6281-229-027-00	18 - 12		
5014-026-204-00	17 - 35	6211-310-006-00	3 - 1	6212-563-001-00	8 - 12	6215-419-001-00	13 - 17	6281-229-028-00	18 - 13		
5014-027-100-00	17 - 9	6211-311-005-10	4 - 1	6212-565-001-00	8 - 13	6215-520-001-00	15 - 15	6281-270-001-00	16 - 2		
5014-040-226-20	17 - 38	6211-312-001-10	3 - 29	6212-569-002-00	1 - 6	6215-526-001-10	15 - 17	6281-410-002-20	16 - 12		
5014-042-024-00	17 - 39	6211-312-002-10	4 - 2	6212-571-001-00	8 - 14	6215-531-005-00	15 - 30	6281-910-001-00	16 - 14		
6209-000-002-00	8 - 27	6211-341-011-00	2 - 27	6212-575-001-00	8 - 15	6215-536-001-00	15 - 25	6281-920-001-00	16 - 17		
6209-000-003-00	1 - 8	6211-342-001-20	2 - 28	6212-600-003-00	8 - 16	6215-541-001-00	15 - 18	6281-971-001-00	16 - 10		
6209-000-004-00	2 - 5	6211-360-004-00	5 - 1	6212-611-003-00	8 - 28	6215-541-002-10	15 - 23	6509-000-018-10	7 - 16		
6209-030-005-00	3 - 7	6211-510-002-00	7 - 31	6212-616-001-00	8 - 25	6215-541-003-10	15 - 31	6509-000-084-00	3 - 9		
6209-030-006-00	3 - 8	6211-540-002-00	7 - 35	6212-620-002-00	8 - 18	6215-542-001-00	3 - 24	6509-030-037-00	3 - 10		
6209-030-041-00	11 - 18	6211-560-002-00	7 - 36	6212-621-003-00	8 - 19	6215-542-002-00	15 - 20	6509-360-912-10	13 - 10		
6209-030-043-00	15 - 16	6211-751-001-10	1 - 15	6212-626-002-00	8 - 20	6215-543-003-10	15 - 19	6509-605-019-10	2 - 8		
6209-030-081-00	14 - 2	6211-760-003-00	2 - 26	6212-628-004-00	8 - 21	6215-546-001-00	3 - 19	6509-704-059-00	13 - 12		
6209-044-001-00	15 - 32	6211-777-007-10	14 - 1	6213-100-003-10	6 - 1	6215-549-001-10	2 - 23	6513-770-022-10	11 - 19		
6209-046-001-00	3 - 17	6212-111-015-00	7 - 1	6213-140-004-00	9 - 3	6215-549-004-10	15 - 24	6515-419-014-00	13 - 11		
6209-050-001-00	3 - 34	6212-114-015-00	7 - 39	6213-149-001-00	9 - 3	6215-549-006-00	15 - 26	6582-450-014-00	16 - 11		
6209-050-002-00	3 - 33	6212-116-015-00	7 - 41	6213-163-001-10	3 - 32	6215-549-007-00	15 - 37	6894-207-904-00	16 - 6		
6209-056-001-00	15 - 7	6212-121-008-00	7 - 2	6213-200-002-10	23 - 1	6215-549-008-00	15 - 41	6894-240-902-00	7 - 7		
6209-300-002-00	11 - 8	6212-124-008-00	7 - 40	6213-240-002-00	9 - 5	6215-549-009-00	15 - 27	6894-453-344-00	2 - 17		
6209-360-010-00	13 - 9	6212-126-008-00	7 - 42	6213-311-003-10	10 - 1	6215-549-010-00	15 - 28	6901-045-895-00	27 - 7		
6209-366-001-00	1 - 19	6212-211-001-10	7 - 3	6213-319-001-00	3 - 3	6215-549-021-00	15 - 36	6901-066-645-00	7 - 19		
6209-409-001-00	3 - 20	6212-230-003-00	7 - 5	6213-610-005-00	11 - 1	6215-600-057-00	15 - 1	6901-910-612-00	2 - 22		
6209-490-002-00	1 - 17	6212-235-001-00	7 - 6	6213-614-003-00	11 - 2	6215-549-009-00	17 - 1	6901-910-816-00	5 - 4		
6209-580-002-10	15 - 35	6212-251-002-00	7 - 8	6213-614-006-00	11 - 7	6215-621-003-20	15 - 8	6901-910-820-00	9 - 4		
6209-580-003-10	3 - 31	6212-261-002-00	7 - 9	6213-619-005-00	11 - 6	6219-732-003-00	16 - 13	6901-910-825-00	3 - 15		
6209-587-001-00	7 - 4	6212-264-002-00	7 - 37	6213-641-004-00	11 - 24	6219-752-011-00	15 - 2	6901-910-835-00	6 - 12		
6209-605-002-10	1 - 4	6212-266-002-00	7 - 43	6213-660-006-00	11 - 23	6219-752-012-00	15 - 3	6901-910-840-00	2 - 30		
6209-610-001-00	2 - 6	6212-310-010-00	7 - 10	6213-669-002-00	11 - 25	6219-752-013-00	15 - 4	6901-910-845-00	4 - 4		
6209-625-001-00	2 - 11	6212-330-013-30	7 - 14	6213-671-002-10	11 - 27	6219-752-014-00	15 - 5	6901-910-845-00	3 - 15		
6209-625-002-00	3 - 6	6212-333-001-00	7 - 15	6213-674-004-10	16 - 3	6219-755-001-00	23 - 2	6901-910-845-00	4 - 5		
6209-630-002-00	16 - 15	6212-371-014-00	7 - 17	6213-711-003-20	11 - 20	6281-100-004-00	16 - 8	6901-910-845-00	11 - 9		
6209-740-001-00	3 - 28	6212-379-001-00	7 - 18	6213-716-001-10	11 - 14	6281-200-007-00	16 - 1	6901-910-845-00	11 - 17		
6209-749-001-00	2 - 12	6212-511-004-00	8 - 1	6213-721-001-00	2 - 19	6281-222-005-00	18 - 4	6901-910-845-00	3 - 12		
6209-788-001-00	2 - 24	6212-521-002-00	7 - 12	6213-721-003-00	11 - 15	6281-229-020-00	18 - 5	6901-910-845-00	3 - 11		
6209-940-001-00	8 - 23	6212-522-003-00	8 - 2	6213-729-001-00	11 - 12	6281-211-002-00	18 - 3	6901-910-845-00	4 - 4		
6211-110-018-10	1 - 1	6212-523-003-00	8 - 6	6213-743-002-00	11 - 16	6281-213-007-00	18 - 2	6901-910-845-00	16 - 4		
6211-141-011-00	1 - 7	6212-523-004-00	8 - 7	6214-111-013-00	12 - 1	6281-214-005-00	18 - 14	6901-910-845-00	12 - 7		
6211-150-008-00	1 - 2	6212-524-002-00	15 - 9	6214-115-002-10	12 - 2	6281-222-005-00	18 - 4	6901-910-845-00	3 - 12		
6211-170-006-00	1 - 10	6212-528-001-00	8 - 8	6214-141-015-00	12 - 5	6281-229-020-00	18 - 5	6901-910-845-00	3 - 11		
6211-173-004-00	1 - 16	6212-531-005-00	2 - 9	6214-145-001-10	12 - 6	6281-229-021-00	18 - 6	6901-910-845-00	4 - 4		
6211-210-021-00	2 - 1	6212-535-001-00	8 - 4	6215-300-005-00	13 - 1	6281-229-022-00	18 - 7	6901-910-845-00	3 - 16		
6211-251-001-10	2 - 2	6212-535-002-00	15 - 13	6215-311-005-00	13 - 2	6281-229-023-00	18 - 8	6901-911-020-00	11 - 3		
6211-258-002-00	2 - 10	6212-551-001-00	8 - 9	6215-315-002-00	13 - 3	6281-229-024-00	18 - 9	6901-911-020-00	2 - 29		
						6281-229-025-00	18 - 10	6901-911-025-00	16 - 9		

*** NUMERICAL INDEX ***

PART CODE	REF. NO.	PART CODE	REF. NO.	PART CODE	REF. NO.	PART CODE	REF. NO.	PART CODE	REF. NO.	PART CODE	REF. NO.
6901-970-825-00	11 - 22	7970-101-252-00	74 - 6	8595-901-002-00	73 - 5	8596-214-200-10	65 - 12	V211-260-801-60	28 - 4		
6902-050-816-00	4 - 3	7970-101-253-00	74 - 7	8595-901-003-00	79 - 2	8596-311-003-20	66 - 3		31 - 8		
6904-110-818-00	2 - 16	8592-011-201-00	74 - 2	8595-901-003-00	79 - 3	8596-311-003-00	66 - 2		37 - 2		
6904-110-840-00	2 - 15	8592-011-204-00	26 - 7	8595-901-004-00	79 - 4	8596-311-200-20	66 - 1		44 - 5		
6908-000-716-00	8 - 3		74 - 4	8595-902-001-00	79 - 6	8596-319-001-10	66 - 5		44 - 7		
6908-000-750-00	15 - 10	8593-014-200-00	74 - 34	8595-902-001-10	73 - 9	8596-621-200-10	73 - 1		52 - 6		
6908-160-510-00	7 - 13	8595-101-210-20	74 - 1	8595-902-002-00	79 - 7	8596-911-001-00	73 - 6		60 - 22		
6908-160-816-00	2 - 14	8595-101-211-00	74 - 10	8595-902-003-00	79 - 8		73 - 8		60 - 25		
6908-161-018-00	7 - 11	8595-101-212-00	74 - 11	8595-903-001-00	73 - 7		73 - 10		61 - 10		
6909-110-406-00	2 - 25	8595-201-051-10	74 - 14	8595-903-002-00	79 - 10	8596-920-001-00	73 - 11		74 - 18		
6909-110-410-00	3 - 35	8595-201-052-10	74 - 15	8595-903-003-00	79 - 11	8831-602-002-00	22 - 15	V211-260-802-00	28 - 9		
6909-110-508-00	15 - 38	8595-201-054-10	74 - 19	8595-903-003-00	79 - 12	V111-163-002-00	58 - 21		31 - 15		
6909-111-406-00	16 - 7	8595-201-069-00	74 - 24	8596-111-200-40	60 - 1	V120-366-001-20	52 - 14		34 - 16		
6909-111-508-00	3 - 13	8595-201-071-00	74 - 30	8596-111-210-40	60 - 3		52 - 18		38 - 27		
6909-150-506-00	4 - 6	8595-202-500-10	74 - 23	8596-111-220-10	60 - 5	V120-366-001-60	23 - 5		42 - 5		
6909-150-508-00	8 - 29	8595-202-520-00	74 - 31	8596-111-230-20	60 - 24		57 - 11		63 - 2		
6909-150-508-00	11 - 10	8595-202-521-00	74 - 32	8596-112-001-30	61 - 11		58 - 12	V211-260-802-50	19 - 15		
6909-150-508-00	15 - 33	8595-203-002-10	75 - 1	8596-112-002-20	61 - 12	V201-260-803-50	33 - 19		43 - 9		
6909-150-508-00	8 - 26	8595-301-001-30	75 - 2	8596-112-003-20	61 - 19	V201-260-804-00	64 - 17		27 - 8		
6909-150-508-00	15 - 40	8595-301-004-20	75 - 7	8596-112-003-20	61 - 13	V201-260-805-00	42 - 15		43 - 27		
6909-150-508-00	3 - 14	8595-301-005-10	75 - 6	8596-112-007-00	61 - 20	V201-260-806-00	32 - 16	V211-260-804-00	27 - 9		
6909-150-508-00	11 - 5	8595-301-007-10	75 - 13	8596-112-200-40	61 - 1	V201-260-807-00	64 - 18	V211-260-805-00	35 - 5		
6909-164-508-00	8 - 30	8595-301-500-20	75 - 3	8596-112-210-20	61 - 3	V201-460-804-50	26 - 2	V211-261-002-00	23 - 19		
6909-164-708-00	4 - 7	8595-305-011-00	75 - 12	8596-112-220-40	61 - 9	V203-361-002-50	40 - 32		41 - 3		
6909-202-308-00	16 - 5	8595-305-012-00	75 - 18	8596-113-200-30	62 - 1	V203-461-002-00	19 - 3		42 - 26		
6909-571-420-00	3 - 26	8595-306-061-00	75 - 19	8596-113-210-50	62 - 3	V203-461-002-50	24 - 22		45 - 5		
6909-572-008-00	5 - 2	8595-402-500-20	76 - 1	8596-113-230-50	62 - 5	V210-260-601-20	36 - 4		48 - 2		
6909-830-212-00	1 - 18	8595-405-500-00	76 - 2	8596-211-200-50	63 - 1		26 - 12		60 - 2		
6909-830-299-00	2 - 18	8595-406-210-20	76 - 4	8596-212-003-20	64 - 6	V210-260-601-60	40 - 30		60 - 4		
6909-906-105-10	10 - 2	8595-407-540-20	77 - 1	8596-212-003-20	64 - 9		41 - 22	V211-261-002-50	38 - 6		
6909-915-163-00	13 - 13	8595-407-570-30	77 - 2	8596-212-230-20	64 - 8		40 - 24		47 - 6		
6909-920-843-00	3 - 18	8595-501-001-10	78 - 2	8596-212-240-20	64 - 11		57 - 7	V211-261-004-50	30 - 2		
6909-920-843-00	3 - 22	8595-501-005-00	78 - 10	8596-212-200-40	64 - 1	V210-260-602-00	31 - 16	V211-360-601-60	73 - 4		
6911-129-006-00	10 - 3	8595-501-500-30	78 - 1	8596-212-210-40	64 - 3		57 - 8	V211-360-801-60	31 - 12		
6911-129-006-00	1 - 3	8595-501-510-00	78 - 4	8596-212-220-20	64 - 5	V210-260-601-20	41 - 19		35 - 17		
6911-129-006-00	1 - 3	8595-501-511-00	78 - 8	8596-212-230-20	64 - 8	V210-360-601-60	40 - 28		47 - 22		
6911-129-006-00	3 - 18	8595-501-001-10	78 - 2	8596-212-240-20	64 - 11		52 - 4	V211-261-004-50	30 - 2		
6911-129-006-00	3 - 27	8595-501-500-30	78 - 1	8596-213-001-30	65 - 10	V210-360-602-00	47 - 11	V211-360-601-60	73 - 4		
6911-129-006-00	10 - 3	8595-501-510-00	78 - 3	8596-213-002-10	65 - 4		47 - 17	V211-360-801-60	20 - 18		
6911-129-006-00	1 - 3	8595-505-002-00	78 - 5	8596-213-003-10	65 - 3	V211-260-801-60	23 - 3		24 - 10		
6911-129-006-00	2 - 7	8595-505-051-00	79 - 1	8596-213-200-30	65 - 1		24 - 12		48 - 17		
6911-129-006-00	5 - 3	8595-505-051-00	79 - 5								
6911-129-006-00	28 - 7	8595-901-001-00	79 - 9								
6911-129-006-00	64 - 2		79 - 5								
6911-129-006-00	64 - 4		79 - 9								

PART CODE	REF. NO.	PART CODE	REF. NO.	PART CODE	REF. NO.	PART CODE	REF. NO.	PART CODE	REF. NO.
V211-360-802-00	74 - 17	V327-262-110-00	41 - 8	V401-160-008-00	61 - 16	V411-260-012-00	51 - 5	V500-163-003-00	51 - 3
V211-361-002-00	75 - 16	V328-262-110-00	41 - 16	V401-160-010-00	19 - 4	V411-260-014-00	32 - 32	V580-140-602-50	33 - 2
V211-561-001-60	24 - 21	V334-260-010-00	46 - 12	V411-260-006-00	24 - 30	V411-260-020-00	34 - 8	V580-140-603-20	74 - 12
V211-561-002-00	28 - 19	V335-260-012-00	46 - 24	V411-260-008-00	30 - 3	V500-162-501-50	51 - 2	V590-131-015-00	74 - 13
	21 - 3		47 - 14		36 - 5		74 - 8	V600-110-600-40	15 - 12
V211-561-002-50	28 - 18	V338-262-112-00	46 - 8	V401-160-012-00	46 - 31	V500-162-501-50	33 - 9	V600-110-600-40	43 - 11
V211-660-802-00	21 - 5	V339-260-010-00	46 - 18	V411-260-008-00	40 - 33	V500-162-501-50	25 - 11	V600-110-600-50	43 - 18
V251-261-004-50	27 - 17	V341-120-008-00	3 - 21	V411-260-006-00	46 - 13	V500-162-502-00	41 - 9		48 - 12
V271-160-602-50	22 - 9	V350-160-004-00	53 - 9	V411-260-006-00	63 - 5		41 - 17		29 - 17
V273-160-601-20	66 - 4	V350-160-006-00	52 - 11	V411-260-006-00	75 - 15		42 - 10		74 - 22
V273-260-802-00	22 - 12	V360-260-006-00	54 - 8	V411-260-008-00	46 - 31		46 - 14		74 - 26
V273-360-601-50	52 - 9		55 - 6						
V301-260-006-00	19 - 10	V360-260-008-00	54 - 6	V401-160-014-00	48 - 21	V500-163-001-50	33 - 17	V600-110-620-40	29 - 10
V303-200-008-00	40 - 11	V361-260-006-00	53 - 18	V411-260-008-00	33 - 16		34 - 13	V600-110-620-50	29 - 11
V304-260-008-00	42 - 16	V363-260-008-00	62 - 7	V411-260-008-00	34 - 4		35 - 12	V600-110-620-70	36 - 10
	19 - 7		77 - 3	V411-260-006-00	34 - 12		38 - 21	V600-110-630-40	29 - 14
	26 - 10		24 - 13	V411-260-008-00	47 - 23		40 - 9	V600-110-630-50	29 - 13
	33 - 20		32 - 17		51 - 12		51 - 16	V600-140-600-40	48 - 13
	35 - 7		37 - 7		60 - 23		33 - 9	V600-150-600-50	40 - 20
	38 - 10		42 - 7		61 - 8		33 - 13	V600-150-620-20	41 - 4
	42 - 22		47 - 23		62 - 2		33 - 24	V600-150-620-30	46 - 21
	53 - 16		51 - 12		62 - 4		35 - 14	V600-150-620-50	49 - 6
	55 - 18		60 - 23		66 - 6		38 - 17		61 - 14
	61 - 8		61 - 2		76 - 5		38 - 24		61 - 21
	61 - 17		62 - 2	V363-260-010-00	20 - 22		51 - 6	V653-430-403-00	27 - 2
	61 - 23		62 - 4		50 - 3	V411-260-010-00	51 - 10		27 - 13
	64 - 15		66 - 6		64 - 7		55 - 12	V654-418-221-60	43 - 26
V304-260-010-00	25 - 7		64 - 10		64 - 10		56 - 4	V681-200-001-20	3 - 30
	30 - 4		58 - 22		58 - 22	V401-160-003-00	32 - 33		41 - 11
	33 - 26		19 - 11	V401-160-006-00	34 - 14		35 - 3	V704-140-012-00	40 - 2
	34 - 21		34 - 18		34 - 21		40 - 15	V704-140-015-00	40 - 4
	35 - 10		34 - 19		34 - 10		42 - 20		41 - 13
	35 - 10		38 - 19		38 - 19		46 - 9		61 - 5
	63 - 4		19 - 8	V401-160-008-00	19 - 8		46 - 32	V704-140-016-00	8 - 24
V304-460-010-00	39 - 6		26 - 3		26 - 3	V411-260-012-00	48 - 22		36 - 9
V304-460-014-00	75 - 8		27 - 10		27 - 10		50 - 5		74 - 36
V305-260-010-00	55 - 15		53 - 17		53 - 17		50 - 10	V704-140-017-00	74 - 35
V305-260-020-00	50 - 8		55 - 19		55 - 19		78 - 7	V704-140-025-00	29 - 3

DESCRIPTION	REF. NO.	DESCRIPTION	REF. NO.	DESCRIPTION	REF. NO.	DESCRIPTION	REF. NO.
ADAPTER(FILTER/B)	32 - 35	BEARING, NR/TA3030Z	27 - 2	BOLT(S) M10X25	43 - 2	BOLT, SEMS (S)	42 - 5
ADAPTER(HIGHPRESS)	32 - 36	BEARING, RB/6004	27 - 13		43 - 24		57 - 8
ADAPTER(90/PUMP)	32 - 20		15 - 12		47 - 6		63 - 2
ADAPTER(90`)ORIFICE	32 - 19		43 - 11	BOLT(S)/M10X40	30 - 2	BOLT, SEMS (S) M8X16	23 - 3
ADAPTER(FILTER/A)	32 - 34		43 - 18	BOLT(S)7	28 - 19		24 - 12
ADAPTER(LOWPRESS)	28 - 15		48 - 12	BOLT(S)/M6X16)	65 - 2		28 - 4
ADAPTER(STRAIGHT)	28 - 6	BEARING, RB/6004S	48 - 13	BOLT(SET/M8X16)	26 - 9		31 - 8
ARM(40)	42 - 14	BEARING, RB/6005	29 - 7	BOLT(SP)	73 - 4		37 - 2
ARM(BRAKE)	37 - 6		74 - 22	BOLT(SP) M8X20	20 - 8		44 - 5
ARM(BRAKE) COMP	38 - 1		74 - 26		20 - 18		44 - 7
ARM(CONTROL)	51 - 7	BEARING, RB/6005SS	40 - 20		24 - 10		52 - 6
ARM(HOOK)	35 - 4	BEARING, RB/6007	43 - 19		48 - 17		60 - 22
ARM(HST/F)COMP	34 - 1	BEARING, RB/6202SS	41 - 4		74 - 17		60 - 25
ARM(HST/REVERSE)COMP	34 - 6	BEARING, RB/6203	15 - 11		75 - 16		61 - 10
ARM(KNUCKLE/LH)COMP	46 - 1		74 - 25	BOLT(SP)/M6X16	40 - 28		74 - 18
ARM(KNUCKLE/RH)COMP	46 - 2		75 - 4		52 - 4	BOLT, SEMS/M10X20	2 - 29
ARM(LIFT)	51 - 1	BEARING, RB/6203SS	46 - 21	BOLT(WING/P)	66 - 4	BOLT, SEMS/M6X12	2 - 22
ARM(PEDAL) COMP	38 - 4	BEARING, RB/6204	29 - 10	BOLT(WS)	4 - 5		5 - 4
ARM(TENSION)COMP	41 - 10	BEARING, RB/6205	29 - 11		12 - 7		8 - 5
ARM(TENSION) COMP	61 - 3	BEARING, RB/6205SS	49 - 6	BOLT, ADJUST	2 - 24		15 - 14
ARM, CONTROL	15 - 37		61 - 14	BOLT, BATTERY	24 - 8	BOLT, SEMS/M8X16	2 - 30
ARM, DRAG	48 - 18		36 - 11	BOLT, CONN ROD	7 - 6		9 - 4
ARM, FLOATING	15 - 18	BEARING, RB/6207	61 - 21	BOLT, JOINT	10 - 2		3 - 15
ARM, HOOD	53 - 14	BEARING, RB/6304	29 - 14	BOLT, KHOB	55 - 13	BOLT, SEMS/M8X20	11 - 9
ARM, PITMAN	46 - 20	BEARING, RB/6305	29 - 13	BOLT, SEMS	23 - 19		11 - 17
ARM, ROCKER	8 - 28	BEARING, RB/7004	48 - 6		24 - 21		12 - 3
ARM, TENSION	15 - 23	BEARING, RB/7202	48 - 7		26 - 12		16 - 4
	74 - 32	BEARING, RB8	18 - 5		27 - 8		11 - 22
AXLE, FRONT	45 - 1	BELT(VB071)	61 - 26		27 - 9	BOLT, SEMS/M8X25	3 - 12
BAG(COLLECTOR) COMP	65 - 12	BELT, V HM/33.5	11 - 27		40 - 30	BOLT, SEMS/M8X35	3 - 16
BALL, STEEL	3 - 30	BELT, V/B091	75 - 1		41 - 3	BOLT, SEMS/M8X45	11 - 3
BAND, HOSE	1 - 20	BELT/VB038	40 - 17		41 - 19		27 - 17
	11 - 13	BLADE/50X426	75 - 17		41 - 22	BOLT, STUD(SEAL)	22 - 12
BAND, HARNESS	20 - 19	BLATE(1/25X486) COMP	51 - 4		42 - 26	BOLT, WING	21 - 5
BAND, HOSE	58 - 13	BLOCK(CYLINDER) ASSY	2 - 1		43 - 27	BOLT/L=55	3 - 9
	13 - 16	BLT(COG/VCO31)	41 - 20		45 - 5	BOLT/M 8X35	33 - 19
	23 - 9	BODY	22 - 6		48 - 2	BOLT/M 8X40	64 - 17
	23 - 10	BODY, OIL PUMP	6 - 2		48 - 4	BOLT/M 8X50	42 - 15
	23 - 12	BOLT	2 - 5		53 - 13	BOLT/M 8X60	32 - 16
	23 - 14		3 - 10		60 - 2	BOLT/M 8X70	64 - 18
	23 - 16		3 - 11		60 - 4	BOLT/M10X1.25X18	14 - 2
	23 - 17		4 - 4	BOLT, SEMS (S)	25 - 4	BOLT/M10X1.25X20	19 - 3
	23 - 23		4 - 4		40 - 24		24 - 22
BAND, WIRE/140	73 - 3		6 - 12		57 - 7	BOLT/M10X1.25X65	16 - 6
BATTERY	24 - 2		7 - 16	BOLT, SEMS (SP)	31 - 12	BOLT/M10X1.25X82	21 - 8
BATTERY, BALL THRUST	24 - 1		7 - 19		35 - 17	BOLT/M10X20	28 - 18
BEARING, BALL THRUST	46 - 4		8 - 27		47 - 22		75 - 13
BEARING, CONN ROD	7 - 37		11 - 26	BOLT, SEMS (S)	54 - 9		28 - 16
	7 - 43		16 - 9		28 - 9		36 - 4
BEARING, CONN ROD	7 - 9		17 - 39		31 - 15	BOLT/M10X25	40 - 32
BEARING, CRANK	7 - 31	BOLT(CONNECTOR/PF1/2)	31 - 7		31 - 16		50 - 13
	7 - 35	BOLT(S) M10X25	38 - 6		34 - 16		
	7 - 36		40 - 26		38 - 27		

DESCRIPTION	REF. NO.	DESCRIPTION	REF. NO.	DESCRIPTION	REF. NO.	DESCRIPTION	REF. NO.
BOLT/M6	3	CAP. BEARING/R	2	COLLAR/26X32X41	40	DIODE/3.0A	58
BOLT/M6X10	3	CAP. BEARING/T	2	COLLAR/26X32X53	49	DOWEL	2
BOLT/M6X15	15	CAP. BLANK/30	3	COLLAR/26X35X03	36	DRUM, BRAKE	37
BOLT/M6X18	15	CAP. CYLINDER/14	3		46	EF	43
	15	CAP. FUSE BOX	58	COLLAR/31X38X06	36	ELBOW	1
	15	CAP. OIL FILLER	1	COLLAR/31X41X03	36	ELEMENT, PAPER	22
	6	CAP. SEALING	1		36	EYE BOLT ASSY	17
BOLT/M6X20	22		2	COLLECTOR(SIDE/LH)	64	FAN(HST)	26
BOLT/M6X25	3	CAP. SHAFT(A) COMP	40	COLLECTORSIDE/RHCOMP	64	FAN(PLATE)	62
BOLT/M8X30	26	CAP. TANK	56	COLLER	18	FAN, COOLING	11
BOLT/M8X45	35	CAP. TIRE VALVE	39	COLUMN, STEERING ASSY	47	FAN, OIL	5
BOLT/M8X50	3		49	CONNECTOR	20	FENDER	54
BOLT/M8X75	11	CAP, WHEEL	49	CONNECTOR, FILTER	13	FILTER ASSY	32
BOLT/M8X85	27	CARTRIDGE	49	CONNECTOR, GLOW PLUG	16	FILTER, FUEL	23
BOLT/M8X95	19	CARTRIDGE, OIL FILTER	32	CONNECTOR, OIL FILTER	3	FILTER, SUCTION(HST)	31
BOLT/S	43	CASE(PTO/FRONT) ASSY	9	CONTROL ROD	17	FLANGE, CONTROL	48
	43	CASE(PTO/REAR)	43	CONTROL SLEEVE	17	FLYWEIGHT	15
	43	CASE(STERING)	48	COUPLER	18	FLYWEEL	7
BOLT/SP	47	CASE(TRANSMISSION/LH)	27	COUPLER, SHORT	58	FORK, WHEEL	78
	47	CASE(TRANSMISSION/RH)	27	COUPLING	26	FRAME(BLOWER)	61
BOOT	55	CASE, BEVEL	74	COVER(BELT)	24	FRAME(COLLECTOR/LH)	60
BRACKET ROCKER SHAFT	8	CASE, DIFF	36	COVER(BELT) COMP	61	FRAME(COLLECTOR/RH)	60
BRACKET, CASE	75	CASE, GEAR	3	COVER(DISCHARGE) COMP	41	FRAME(OPEN/LH)	64
BRACKET, ENGINE/LH	19	CASING	62	COVER(FILDER)	37	FRAME(OPEN/RH)	64
BRACKET, ENGINE/RH	19	CHASSISCOMP	44	COVER(FRONT/MESH)	62	FRAME(OPEN/RH) COMP	64
BRACKET, PTO	40	CLAMP	18	COVER(FRONT/JOINT)	52	FUSE/32V03A	58
BRACKET, ROCKER SHAFT	8	CLAMP, HARNESS	55	COVER(LOWER/LH)	60	FUSE/32V10A	58
BUFFLE	1		19	COVER(LOWER/RH)	53	GASKET	17
	1		21	COVER(LOWER/RH) ASSY	53	GASKET(CYLINDERHHEAD)	1
BULB	39		47	COVER(LOWER/RH) ASSY	53	GASKET, COVER	2
	49		22	COVER(LOWER/RH) ASSY	53	GASKET, GEAR CASE	3
	57		28	COVER(SHOOTER) COMP	66	GASKET, HOUSING	11
BUSH (12X14X20)	43	CLAMP, HOSE	9	COVER(BELT/LH)	77	GASKET, MANIFOLD	12
BUSH, BRUSH	51	CLAMP, STRAINER	20	COVER, BELT/RH	77	GASKET, MANIFOLD/EXH	12
BUSH, COLUMN	47	CLAMP/40	20	COVER, CYL HEAD ASSY	1	GASKET, MUFFLER	12
BUSH, CONN ROD	7	CLAMP/45	20	COVER, DISCHARGE	76	GASKET, NOZZLE	21
BUSH, IDLE GEAR	8	CLAMPER, 7 SHORT	58	COVER, FRONT PTO	40	GASKET, PLATE	4
BUSH, SEAT	55	CLIP	22	COVER, FRONT/C	52	GASKET, SOLENOID	16
BUSH/10X12X10	47		13	COVER, FRONT/LH	52	GASKET, SPACER	11
BUSH/16X18X15	74	CLIP(B)	56	COVER, FRONT/RH	52	GASKET, WATER PUMP	11
BUSH/16X18X20	78	CLIP, HOSE	13	COVER, INJ PUMP	2	GAUGE, FUEL	56
CABLE, AXLE	25	CLIP, PIN	78	COVER, LOWER SET	53	GAUGE, LEVEL	2
CABLE, BATTERY	24		78	COVER, OIL PUMP	6	GEAR(HELICAL/T72)COMP	48
CABLE, EARTH	24	COLLAR(08X12X30)	64	COVER, REAR	44	GEAR(T12-40)COMP	29
CABLE, PTO	40	COLLAR(12X16X12)	33	COVER/44X10	46	GEAR(T16)	43
CABLE, PTO	24	COLLAR(18X30X05)	43	CRANK SHAFT	7	GEAR, BEVEL/12	36
CABLE, WIRE	8	COLLAR(21X35X02)	43	CRIP, HOSE(9.5)	28	GEAR, BEVEL/12-45 SET	29
CAM SHAFT	13	COLLAR, 26X32X14	49	CUSHION, PEDAL/RUBBER	19	GEAR, BEVEL/16-28	74
CAP	18	COLLAR, WHEEL THRUST	36	CUTTER, VALVE	8	GEAR, CAMSHAFT	8
	20		36	CYLINDER	32	GEAR, CRANK SHAFT	7
CAP, BATTERY	24	COLLAR/21X25X08	48	DECK, MOWER/48	76	GEAR, IDLE	8
CAP, BEARING/F	2	COLLAR/25X35X02	29	DELIVERY VALVE	17	GEAR, INJ PUMP	15

DESCRIPTION	REF. NO.	DESCRIPTION	REF. NO.	DESCRIPTION	REF. NO.	DESCRIPTION	REF. NO.
GEAR,OIL PUMP	6 - 7	HOUSING, THERMOSTAT ASSY	11 - 14	LABEL, MODEL/SSM48	79 - 1	NIPPLE, GREASE/B-M6F	34 - 2
GEAR,RING	7 - 15	HST	30 - 1		79 - 5		34 - 2
GEAR/T40	36 - 2	HUB, BLADE	75 - 6		79 - 9		38 - 2
GENERATOR/12V-8.5A	16 - 1	HUB, PTO FRONT	45 - 4	LABEL, PARKING/D	59 - 11		45 - 3
	18 - 1	HUB, STEERING COLUMN	47 - 10	LABEL, PARKING/E	59 - 23	NOZZLE	13 - 1
GRIP, B	51 - 13	HUB, 18X22X20	75 - 7	LABEL, PTO CAUTION/E	59 - 17	NOZZLE, INJ. ASSY	13 - 1
GRIP, BRAKE	38 - 15	INSULATOR	19 - 6	LABEL, PTO CAUTION/F	59 - 25	NUT	2 - 25
GRIP, HANDLE	63 - 6	INSULATOR, 10X30X03	56 - 2	LABEL, PTO CAUTION/F	59 - 19		3 - 35
GROMMET	24 - 18	JOINT (HST/F) COMP	26 - 6	LABEL, RADIATOR/D	59 - 13		8 - 26
	47 - 7	JOINT (HST/R) COMP	26 - 6	LABEL, WHEEL GAUGE/D	79 - 4		15 - 33
	58 - 10	JOINT (UNIVERSAL) ASSY	26 - 4	LABEL, WHEEL GAUGE/E	79 - 12		15 - 38
GROMMET/10X30X5	54 - 2	JOINT (UNIVERSAL) ASSY	60 - 5	LABEL, WHEEL GAUGE/F	79 - 8		18 - 9
	56 - 10	JOINT, BALL	46 - 29	LAMP, MONITOR	57 - 2		25 - 7
GROMMET/150	58 - 9	JOINT, BALL/LH	46 - 10	LENS	57 - 10		30 - 4
GUIDE, VALVE	1 - 5	JOINT, BALL/RH	46 - 11	LEVER (COLLECTOR) COMP	63 - 3		33 - 26
GUIDE/LH ENGINE	19 - 12	JOINT, UNIVERSAL ASSY	74 - 1	LEVER (HST/LIFT)	51 - 11		34 - 14
GUIDE/RH ENGINE	19 - 13	JOINT, UNIVERSAL ASSY	13 - 15	LEVER (PTO) COMP	42 - 1		34 - 21
HANGER	14 - 1	JOINT, TYPE 2	26 - 7	LEVER, AXLE	25 - 2		35 - 10
HANGER, SUPPORT	52 - 5	JOURNAL KIT	74 - 4	LEVER, CONTROL	15 - 31		53 - 18
HARNESS (MAIN)	58 - 2	KEY	7 - 13	LEVER, PTO	40 - 12		55 - 5
HARNESS (MAIN) ASSY	58 - 1	KEY	8 - 3	LID (SHOOTER)	66 - 3		62 - 7
HEAD (CYLINDER) ASSY	1 - 1	KEY ASSY	15 - 10	LIFT (270) COMP	50 - 11		63 - 4
HITCH (REAR)	43 - 23	KNOB	57 - 6	LINING/13X50X3	25 - 9		75 - 14
HOLDER (FUELFILBER)	23 - 2	KNOB	25 - 5	LINK	50 - 1	NUT, CAP	1 - 17
HOLDER, BATTERY	24 - 7	KNOB, SET/12	40 - 13	LINK, CONTROL	15 - 19	NUT, CAP/M 8	3 - 21
HOLDER, D. V.	17 - 6	LABEL	42 - 4	LINK, FUSIBLE	24 - 17	NUT, FLANGE	7 - 7
HOLDER, WIRE	40 - 10		44 - 3	LINK/A	50 - 6	NUT, LOCK/M8	24 - 13
HOLDER/SWITCH	55 - 2		24 - 4	LOCK	65 - 1		32 - 17
HOOD (A)	52 - 1		59 - 7	LOCK (NEUPRAL) COMP	33 - 7		37 - 7
HOOD/B	53 - 12		73 - 7	LOD (HST/REVERSE)	34 - 10		42 - 7
HOOK, RADIATOR PANEL	20 - 21		79 - 10	LOD (NEUTRAL)	33 - 21		47 - 23
HORN ASSY	73 - 2		79 - 11	MANUAL FOR ASSEMBLY (SB)	73 - 11		51 - 12
HOSE RUBBER	13 - 10	LABEL (DINGER/F)	73 - 9	MANIFOLD, EXHAUST	12 - 1		60 - 23
HOSE (100)	23 - 13	LABEL (FUSE/B)	59 - 12	MANIFOLD, EXHAUST	12 - 5		61 - 2
HOSE (1300)	23 - 7	LABEL (FUSE/E)	59 - 24	MANUAL, OPERATEON) REA	43 - 22		62 - 2
HOSE (2020)	23 - 8	LABEL (FUSE/F)	59 - 18	MARK, FUEL	59 - 26		62 - 4
HOSE (320)	28 - 12	LABEL (LIFT)	59 - 5	MARK, FUEL/FR	59 - 20		66 - 6
HOSE (350)	23 - 15	LABEL (MODEL/SBC350)	73 - 6	MAT (LH)	56 - 14		76 - 5
HOSE (370)	28 - 10		73 - 8	MAT (RH)	56 - 15	NUT, SPEED/P4	53 - 9
HOSE (450)	32 - 37		73 - 10	METAL	75 - 2	NUT, SPEED/P6	52 - 11
HOSE (530)	32 - 18	LABEL (MODEL/SG15)	59 - 6	METAL (BRAKE)	28 - 1	NUT/M 6	19 - 10
HOSE (FUEL/MAIN) ASSY	23 - 6	LABEL (OPERATION/D)	59 - 10	METAL (PULLEY)	61 - 12		24 - 9
HOSE (SHOOTER)	66 - 5	LABEL (OPERATION/E)	59 - 22	METAL (REAR PTO)	61 - 19		40 - 11
HOSE, AIR CLEANER	22 - 13	LABEL (OPERATION/F)	59 - 16	METAL LIFTARM	41 - 2		19 - 7
HOSE, RADIATOR/LW	20 - 10	LABEL, CAUTION/D	59 - 9	MUFFLER	50 - 12		26 - 10
HOSE, RADIATOR/UP	20 - 9	LABEL, CAUTION/E	59 - 21	NEEDLE (CAGE)	21 - 1		33 - 20
HOSE, RUBBER	11 - 12	LABEL, CAUTION/F	59 - 15	NET, LOWER COVER/LH	43 - 26		35 - 7
	13 - 9	LABEL, DANGER/D	73 - 5	NET, LOWER COVER/RH	53 - 7		38 - 10
HOSE, VINYL	1 - 19	LABEL, DANGER/F	79 - 2	NET, REAR LOWER COVER	53 - 8		42 - 22
	20 - 6	LABEL, DISCHARGE/D	79 - 6	NET/100X388	53 - 6		53 - 16
HOSE/07X13X120	13 - 14	LABEL, DISCHARGE/F	79 - 3	NIPPLE	52 - 7		55 - 18
HOSE/210	20 - 14	LABEL, FUEL/D	79 - 7	NIPPLE, GREASE	2 - 18		61 - 8
HOSE/270	20 - 13		59 - 14		45 - 2		61 - 17

DESCRIPTION	REF. NO.	DESCRIPTION	REF. NO.	DESCRIPTION	REF. NO.	DESCRIPTION	REF. NO.	DESCRIPTION	REF. NO.
NUT/M 8	61 - 23	ORNAMENT/LH	59 - 1	PIN, SPLIT/2.5X20	41 - 17	PIN/8X36	56 - 13		
	64 - 15	ORNAMENT/RH	59 - 2		42 - 10	PISTON	7 - 2		
	65 - 6	PACKING	1 - 18		46 - 14	PISTON REVEL/11	36 - 7		
	74 - 39		3 - 18		46 - 26	PIPE(Collector)COMP	63 - 1		
	75 - 10		3 - 22		47 - 16	PIPE INJECTION	13 - 4		
	16 - 7		3 - 27		65 - 9	PIPE OIL	10 - 1		
	20 - 22		5 - 2		33 - 17	PIPE, PUMP HOUSING	11 - 15		
	39 - 6		10 - 3		34 - 5	PIPE, WATER DRAIN	2 - 19		
	46 - 17		20 - 17		34 - 13	PIPE, WATER OUTLET	11 - 20		
	46 - 18		22 - 8		35 - 12	PISTON	7 - 1		
NUT/M10X1.25	50 - 3	PACKING, RUBBER	22 - 10		38 - 21	PISTON(OV/050)	7 - 39		
	55 - 15		32 - 41		40 - 9	PISTON(OV/100)	7 - 41		
	64 - 7	PAD	38 - 5		51 - 16	PLATE	17 - 35		
	64 - 10	PAD(HST)	34 - 22		33 - 9		18 - 2		
	41 - 8	PAD, STEERING WHEEL	47 - 13		33 - 13	PLATE (BRAKE LOCK) COMP	62 - 6		
	41 - 16	PALTE(FUEL PUMP)COMP	23 - 18		33 - 24	PLATE (CASE)	38 - 22		
	46 - 12	PANEL (INSTRUMENT)SET	57 - 1		35 - 14	PLATE (FILLER)	28 - 17		
	46 - 24	PANEL, INSTRUMENT	57 - 5		38 - 17	PLATE (HOOK) COMP	28 - 8		
	47 - 14	PANEL, RADIATOR	20 - 20		38 - 24	PLATE (I/20X122)	33 - 11		
	46 - 8	PEDAL (HST)COMP	34 - 15		51 - 6	PLATE (I/22X134) COMP	35 - 16		
NUT/M12X1.25	46 - 28	PIECE, THRUST	15 - 17		55 - 10	PLATE (I/25X364)	33 - 15		
	46 - 30	PIN	2 - 13		55 - 12	PLATE (L/22X100)	65 - 10		
	48 - 19		2 - 14		56 - 4	PLATE (L/22X100)	34 - 11		
	75 - 8		7 - 11		32 - 33		34 - 20		
	50 - 8		17 - 9		35 - 3	PLATE (L/32X178)	35 - 9		
	54 - 8		17 - 14		40 - 15	PLATE (LOCK)	38 - 26		
	55 - 6		51 - 14		42 - 20	PLATE (LX16X101)	41 - 21		
	3 - 13	PIN (08X26)	36 - 3		46 - 9	PLATE (PARKING) COMP	38 - 14		
	3 - 20	PIN (10X18)	35 - 15		46 - 32	PLATE (REAR)	2 - 27		
	4 - 6	PIN (10X70)	32 - 31		48 - 22	PLATE (RETURN)	42 - 24		
O RING	8 - 29	PIN (14X54)	64 - 6		50 - 5	PLATE (TRINION)COMP	33 - 1		
	11 - 4	PIN (15X51)	64 - 9		50 - 10	PLATE (UPPER COLLECTOR)	64 - 11		
	11 - 10	PIN (18X52)	43 - 14		78 - 7	PLATE (UX27X71)	37 - 10		
	38 - 11	PIN (JOINT)	65 - 4		51 - 3	PLATE, ADJUST	16 - 3		
	42 - 16	PIN (NEUTRAAL)COMP	33 - 22		78 - 11	PLATE, AXLE	25 - 3		
	54 - 6	PIN, ADAPTER	15 - 24		34 - 9	PLATE, BATTERY	24 - 6		
	77 - 3	PIN, ARM	3 - 24		43 - 16	PLATE, CONTROL VALVE	15 - 36		
	17 - 7	PIN, CONTROL LINK	15 - 20		46 - 6	PLATE, FENDER/LH	44 - 4		
	17 - 10	PIN, DIFF PINION	36 - 8		33 - 2	PLATE, FENDER/RH	44 - 6		
	11 - 21	PIN, GROOVE	3 - 28		74 - 12	PLATE, FRONT	4 - 1		
O-RING/G30	29 - 5	PIN, HAIR	54 - 5	PIN, STARTING SPRING	2 - 23	PLATE, STEERING	48 - 4		
	28 - 3		56 - 12	PIN, STOPPER	76 - 2	PLATE, THRUST	8 - 3		
	29 - 6		64 - 2	PIN, STRAINER	6 - 8	PLATE, THRUST INJPUMP	15 - 13		
	15 - 34		64 - 4		6 - 10	PLATE, THRUST 170X215	43 - 1		
	9 - 2	PIN, IDLE GEAR	65 - 11	PIN, TUBE	2 - 12	PLATE/I-108X112	74 - 15		
	31 - 5	PIN, KNOCK	2 - 9	PIN/08X44	78 - 8	PLATE/T=1.8	17 - 19		
	31 - 14	PIN, LOCK	27 - 6	PIN/10X382	55 - 10	PLATE/T=1.85	17 - 20		
	31 - 6	PIN, PISTON	74 - 3	PIN/12X104	78 - 5	PLATE/T=1.90	17 - 21		
	31 - 10	PIN, PTO	7 - 6	PIN/15X108	50 - 2	PLATE/T=1.95	17 - 22		
	31 - 11	PIN, PTO	43 - 21	PIN/15X32	50 - 7	PLATE/T=2.00	17 - 23		
ORNAMENT (HYDRAULIC)	59 - 3	PIN, SPLIT/2.5X15	25 - 11	PIN/15X47	37 - 5	PLATE/T=2.05	17 - 24		
	59 - 8		74 - 9	PIN/16X88	78 - 10	PLATE/T=2.10	17 - 25		
	59 - 4	PIN, SPLIT/2 5X20	41 - 9	PIN/8X36	54 - 4	PLATE/T=2.15	17 - 26		

DESCRIPTION	REF. NO.	DESCRIPTION	REF. NO.	DESCRIPTION	REF. NO.	DESCRIPTION	REF. NO.
PLATE/T=2.20	17 - 27	RIM, WHEEL	39 - 2	SCREW	17 - 11	SHAFT, ROCKER ARM	8 - 18
PLATE/T=2.25	17 - 28	RIM, WHEEL FRONT	49 - 3		17 - 36		8 - 19
PLATE/T=2.30	17 - 29	RING	76 - 3		18 - 12	SHAFT, STEERING SHIM(BRAKE/METAL)	48 - 5
PLATE/T=2.35	17 - 30	RING (PISTON/OV050SET)	7 - 40		18 - 13	SHIM, ADAPTER	28 - 5
PLATE/T=2.40	17 - 31	RING (PISTON/OV100SET)	7 - 42		23 - 5		15 - 26
PLATE/T=2.45	17 - 32	RING, CIRCLIP	41 - 5		52 - 14		15 - 27
PLATE/T=2.50	17 - 33	RING, PTO	43 - 20		52 - 18		15 - 28
PLUG	2 - 8	RING, SNAP	7 - 4		57 - 11	SHIM, INJ PUMP	15 - 2
	3 - 4	RING, SNAP/ 4 E	3 - 25		58 - 12		15 - 3
	3 - 26		15 - 21		58 - 15		15 - 4
	8 - 20		15 - 29	SCREW M3X20	58 - 21		15 - 5
	20 - 16	RING, SNAP/12 C	41 - 11	SCREW, ADJUST	8 - 25		15 - 6
	63 - 7	RING, SNAP/15 C	40 - 2	SCREW/M6X20	53 - 19		15 - 8
PLUG (HOT) ASSY	1 - 2		40 - 4	SCREW/H8X11	53 - 15	SHIM/O.1	74 - 29
PLUG (SCREW/M20X1.5)	5 - 3		41 - 13	SEAL (10X05X130)	20 - 24	SHIM/O.2	74 - 30
PLUG, DRAIN (1/4)	28 - 7		61 - 5	SEAL (10X05X27)	20 - 23	SHIM/1.2	75 - 18
PLUG, GLOW	16 - 12	RING, SNAP/16 C	8 - 24	SEAL (15X10X340)	20 - 7	SHOE, BRAKE	37 - 8
PLUG, OIL	28 - 14		36 - 9	SEAL (20X10X130)	52 - 19	SHRUOD, FAN	20 - 4
PLUG, RELIEF VALVE	3 - 32	RING, SNAP/17 C	74 - 36	SEAL, BEARING CAP/7	2 - 10	SLEEVE FLANGE	17 - 8
PLUG/1	1 - 4	RING, SNAP/20 C	74 - 35	SEAL, CLEANER	22 - 10	SNAP RING	17 - 15
PLUG/PT1/4	43 - 8		26 - 8	SEAL, CYL COVER	1 - 16	SOLENOID	16 - 14
	74 - 16		74 - 5	SEAL, OIL	1 - 6	SPACER, FAN/39	11 - 25
PLUNGER ASSY	17 - 2	RING, SNAP/25 C	29 - 3		2 - 11	SPACER, WATER PUMP	11 - 6
POINTER	2 - 28		40 - 21		3 - 6	SPANNER/L-TYPE	59 - 27
POST (STEERING) ASSY	47 - 1		61 - 18		27 - 5	SPRING	8 - 23
PROTECTOR, EDGE	24 - 19		61 - 25		27 - 16		38 - 12
PROTECTOR, FRONT	20 - 5	RING, SNAP/40 C	46 - 22	SEAL, OIL/SC20358	28 - 2		42 - 23
PULLEY	7 - 17	RING, SNAP/42 C	75 - 5	SEAL, OIL/TC20358	43 - 28		74 - 7
	18 - 4		27 - 3	SEAL, OIL/TC25478	74 - 20	SPRING (HT035)	38 - 3
PULLEY (40/PTO)	61 - 13		27 - 14		74 - 28	SPRING SEAT	17 - 17
PULLEY (97/FAN)	61 - 20		48 - 9	SEAL, OIL/TC30428	27 - 4		17 - 18
PULLEY (VC100)	41 - 6	RING, SNAP/47 C	48 - 14		27 - 15	SPRING (HC135)	28 - 20
PULLEY (VC135)	41 - 14		40 - 22	SEAL, OIL/TC35558	43 - 7	SPRING (HE085)	33 - 10
PULLEY, TENSION	41 - 12		74 - 21	SEAL, OIL/VC20426	48 - 10	SPRING, ADAPTER	15 - 25
	74 - 34		74 - 27	SEAL/15X20X120	47 - 3	SPRING, BRAKE SHOE	37 - 9
PULLEY, TENSION/45AS	61 - 4	RING, SNAP/52 C	61 - 15	SEAL/15X20X170	53 - 10	SPRING, CHAIN TENSION	74 - 37
PULLEY, TENSION/70X47	40 - 3		61 - 22	SEAL/20X10X690	52 - 2	SPRING, CLUTCH RETURN	61 - 6
PULLEY, V/2B105	40 - 31	ROD (M08X160)	38 - 7	SEAL/20X15X530	47 - 4	SPRING, CLUTCH RETURN	76 - 6
PULLEY, V/2B173	40 - 16	ROD (M08X240)	38 - 8	SEAL/30X30X50	47 - 5	SPRING, D.V.	17 - 4
PULLEY, V/B120	74 - 31	ROD (M10X85)	35 - 8	SEAT	55 - 1	SPRING, DISK	25 - 6
	75 - 3	ROD (DRAG)	46 - 27		55 - 7	SPRING, GOVERNOR	15 - 30
PULLEY, WATER PUMP	11 - 24	ROD (HST/F) COMP	34 - 3	SEAT, VALVE SPRING	8 - 12	SPRING, PLUNGER	17 - 16
PUMP, FUEL	23 - 4	ROD (LOCK)	65 - 3	SENER (COLLECTOR)	73 - 1	SPRING, PRESS/100	65 - 5
PUMP, INJ ASSY	15 - 1	ROD (REARPTO)	42 - 8	SHAFT	74 - 24	SPRING, RELIEF VALVE	3 - 31
	17 - 1	ROD, CHAIN TENSION	61 - 7	SHAFT COMP	42 - 12	SPRING, RETURN	15 - 35
	6 - 1		74 - 38	SHAFT (HOOK) COMP	35 - 1	SPRING, ROD COVER	33 - 14
PUMP, OIL	11 - 1	ROD, CONNECTING	7 - 5	SHAFT (INPUT)	61 - 11	SPRING, SETTING	15 - 22
PUMP, WATER ASSY	20 - 2	ROD, PUSH	8 - 15	SHAFT (INPUT/PTO) COMP	43 - 10	SPRING, STARTING	15 - 41
RADIATOR	20 - 1	ROD/D=8.90-8.94	46 - 15	SHAFT (JOINT/PTO) COMP	41 - 1	SPRING, TENSION/46	42 - 23
REFLECTOR ASSY	54 - 7		46 - 16	SHAFT (PTO) COMP	43 - 17	SPRING, TENSION/86	38 - 13
REGULATOR	16 - 2	ROTOR, INNER	6 - 4	SHAFT, INPUT	74 - 19	SPRING, VALVE	8 - 11
RELAY, SOLENOID	16 - 17	ROTOR, OUTER	6 - 5	SHAFT, OIL PUMP	6 - 6	SPRING/D=6	55 - 16
RELAY/4P	58 - 14	SCREW	1 - 14	SHAFT, ROCKER	8 - 16	SPRING/HE014	40 - 5

97, 100, 101, 102

*** ALPHABETICAL INDEX ***

DESCRIPTION	REF. NO.	DESCRIPTION	REF. NO.	DESCRIPTION	REF. NO.	DESCRIPTION	REF. NO.
SPRING/HE083	40 - 6	WASHER	18 - 8	WASHER, SP/M10	46 - 13		
SPRING/HT013	38 - 18	WASHER / M6	42 - 19		63 - 5		
STARTER	38 - 25		15 - 39		75 - 15		
STARTER	16 - 8	WASHER /M12	25 - 10		46 - 31		
STAY(244)COMP	18 - 3		33 - 8		48 - 21		
STAY(LEVER/A)	60 - 21		33 - 12		75 - 9		
STAY(LEVER/B)	42 - 3		33 - 25		15 - 40		
STAY, SEAT	42 - 6		48 - 20		55 - 14		
STEP	55 - 8		51 - 5		53 - 20		
STICKER	56 - 9	WASHER(09X24X02)	66 - 2	WASHER/10X20X2	41 - 7		
STOPPER	24 - 5	WASHER, PL/M 8	33 - 16		41 - 15		
STOPPER, FULL-LOAD	19 - 14		34 - 4	WASHER/11X22X3	46 - 25		
STRAINER	35 - 18		34 - 12	WASHER/14X35X05	75 - 19		
STUD	3 - 19		35 - 16	WASHER/26X35X2	46 - 5		
STUD, HEAD COVER	9 - 1		35 - 11	WASHER/31X42X1	48 - 8		
STUD/M8X40	2 - 16		38 - 20	WASHER/6X14X3	57 - 12		
SWITCH(STARTER) ASSY	11 - 8		40 - 8	WASHER/9X32X2	54 - 3		
SWITCH, MERIT	2 - 9		42 - 9		55 - 17		
SWITCH, OIL PRESSURE	1 - 15		42 - 18	WASHER/M10	56 - 11		
SWITCH, PUSH	57 - 4		51 - 15		24 - 24		
SWITCH, SEAT ASSY	58 - 17	WASHER, PL/M14	56 - 3		25 - 8		
SWITCH, THERMETER	16 - 10		74 - 8		33 - 23		
TANK, FUEL	58 - 16		32 - 32		35 - 13		
TAPET	55 - 3		50 - 2		38 - 16		
THERMOSTAT	16 - 11		50 - 4		38 - 23		
TIRE, FRONT ASSY	56 - 1		50 - 9		40 - 14		
TIRE, REAR	8 - 14		51 - 9		47 - 15		
TIRE, TURF	17 - 13	WASHER, PL/M8	4 - 7	WASHER/M20	55 - 11		
TIRE, TURF/16-8	11 - 19		8 - 30		34 - 8		
TRIGGER, TENSION	49 - 1		16 - 5	WASHER/M3	51 - 2		
TRIM/1X06X340	39 - 3	WASHER, PULLEY	46 - 7	WHEEL, GAUGE ASSY	58 - 23		
TRIM/1X06X570	49 - 2	WASHER, SP/M 3	58 - 22	WHEEL, GAUGE FRONT	78 - 3		
TUBE(INSERT/A)	42 - 21	WASHER, SP/M 6	19 - 11	WHEEL, STEERING ASSY	78 - 2		
TUBE(INSERT/B)	52 - 8		34 - 18	WIRE/1.0X150	47 - 12		
TUBE, ORIFICE	52 - 20		34 - 19	WIRE/1.2X100	74 - 13		
TURNBUCKLE/M8	52 - 3		38 - 19	YOKE, SLEEVE	33 - 18		
VALVE	52 - 21	WASHER, SP/M 8	19 - 8	YOKE, SLEEVE SHAFT	74 - 10		
VALVE(CONDROL) ASSY	64 - 12		26 - 3	YOKE, SPLINE B	74 - 11		
VALVE, EXHAUST	64 - 13		27 - 10	YOKE, SPLINE/A	74 - 3		
VALVE, INTAKE	13 - 17		53 - 17	✱-7(06X12X460)	74 - 2		
WASHER	38 - 9		55 - 19		23 - 11		
	22 - 11		61 - 16				
	32 - 1		61 - 24				
	8 - 10		64 - 16				
	8 - 9		65 - 8				
	3 - 14		75 - 11				
	6 - 9		19 - 4				
	7 - 18	WASHER, SP/M10	24 - 23				
	11 - 5		30 - 3				
	11 - 11		36 - 5				
	17 - 12		39 - 7				
	18 - 7		40 - 33				



**Yvan Béal - 21, av. de l'Agriculture - B.P. 16
Z.I. du Brézet - 63014 Clermont-Ferrand Cedex 2
Tél : 04 73 91 93 51 - Télécopie : 04 73 90 23 11
www.yvanbeal.fr - E-mail : info@yvanbeal.fr
R.C.S. Clermont-Fd B 304 973 886 - S.A.S. au capital de 612 000 €**