

191700 to 191799

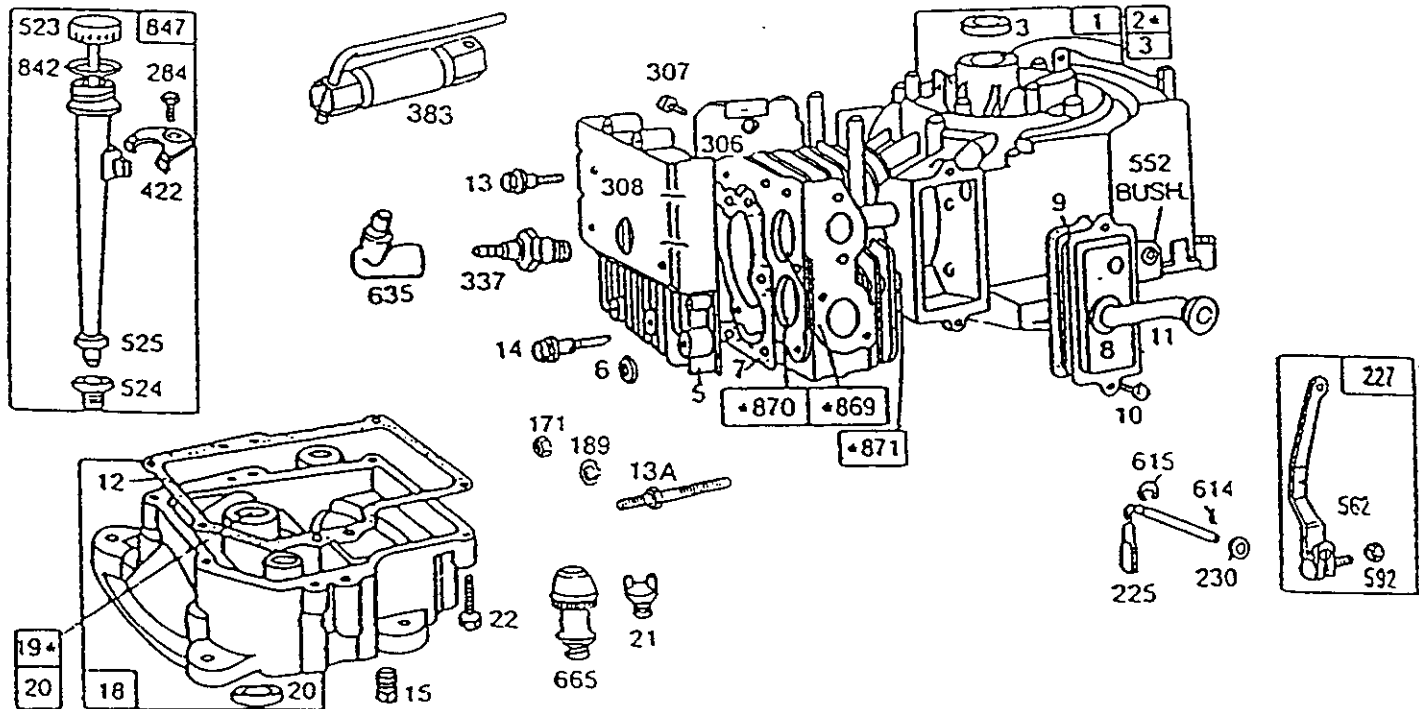
Illustrated Parts List Model Series 191700 to 191799

TYPE NUMBERS
2416, 2425, 2426,
2439, 2440,
2501 through 2543
4001 through 4006
4014, 4016, 4025,
5915, 5916, 5917,
5925, 5926, 5927,
6000 through 6045

TO FIND THE CORRECT NUMBER OF THE PART YOU NEED: FOLLOW THE INSTRUCTIONS BELOW

- A. Refer to Engine Model, Type and Code Number that is stamped on the blower housing of engine. Engine type numbers such as 0123 01 are listed only as 0123 in most instances. The two digits (01 or 02, etc.) to the right of the space may be required for more accurate parts identification in some instances. Select the Illustrated Parts List covering the correct Model Series and Type Number.
- B. Refer to the Illustrations and compare the original part with Illustration. The number next to the illustration is the Reference Number. Assemblies include all parts shown in frames. All parts shown in assembly frames having individual reference numbers can be purchased separately.
- C. After the Reference Number has been identified, refer to the Numerical text, where Reference and Primary Part Number are listed. THE PRIMARY PART IS USED ON ALL TYPE NUMBERS EXCEPT THOSE TYPE NUMBERS UNDER "NOTE."
- D. If a "Note" appears below the Primary Part Number, it means that this part differs from the Primary Part for certain types. If your Type number is listed under "Note," order the part referred to at the "Note."
- E. If your Engine Type Number does not appear after any part number listed under "Note," use the Primary Part Number.
- F. For Engine Type Numbers not covered by this book, check other Parts Lists having the same engine model or contact your source of supply.

191700 to 191799



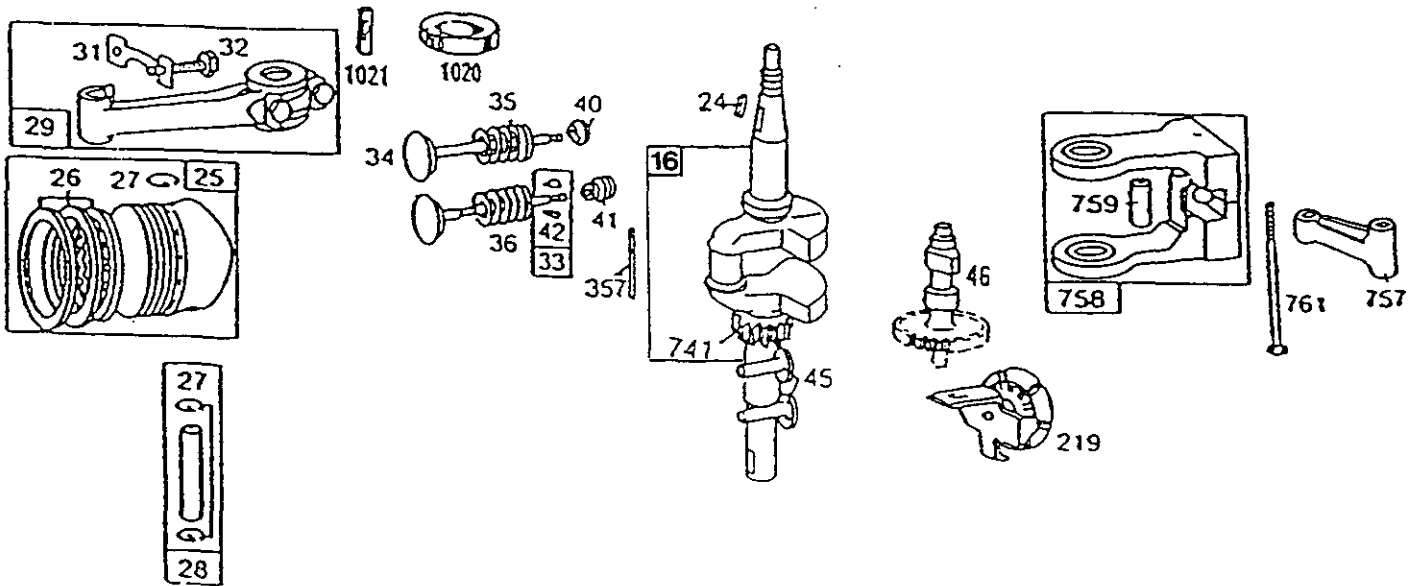
1019 LABEL KIT

358 GASKET SET

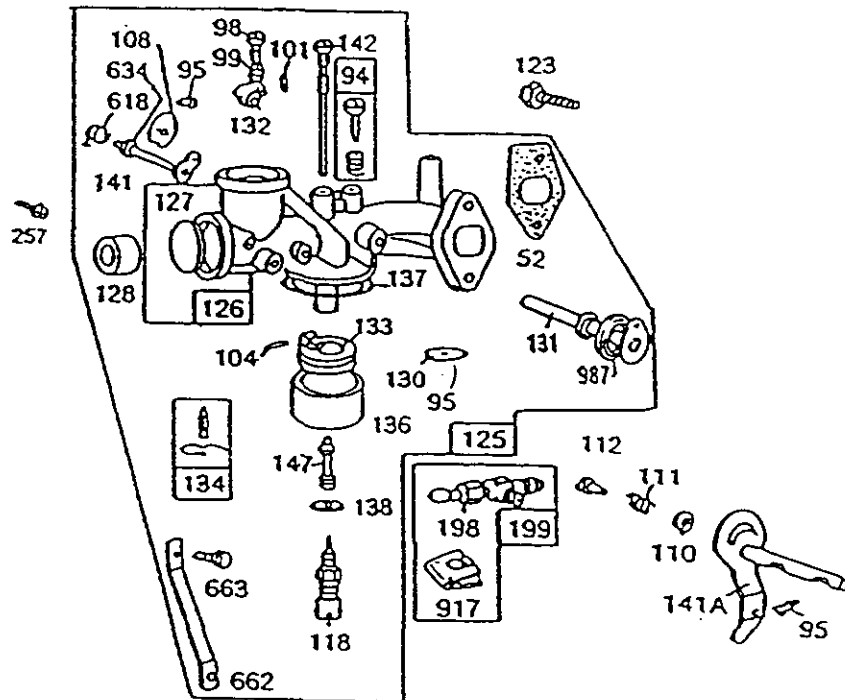
**★ REQUIRES SPECIAL TOOLS TO INSTALL.
SEE REPAIR INSTRUCTION MANUAL.**

REF. NO.	PART NO.	DESCRIPTION	REF. NO.	PART NO.	DESCRIPTION	REF. NO.	PART NO.	DESCRIPTION
1	396269	Cylinder Assembly	15		Plug—Oil Drain	383	89838	Wrench—Spark Plug
2	399267	Bearing—Cylinder			See Last Pages.	422	223394	Clamp—Oil Filler Tube
3	★294606	Seal—Oil	18		Base—Engine	523	391840	Cap and Dipstick—Oil Filler
5	212286	Head—Cylinder			See Last Pages.	524	★68838	Seal—Filler Tube
6	22963	Washer—Cyl. Hd. Stud	19	295963	Bushing—Engine Base	525	280133	Tube—Oil Filler
7	★270430	Gasket—Cylinder Head	20	★391086	Seal—Oil	552	491986	Bushing—Gov. Crank
8		Breather Assembly	21	66768	Plug—Oil Filler	562	92613	Bolt—Governor Lever
		See Last Pages.	22	93585	Screw—Base Mounting	592	231082	Nut—Hex.
9	★27803	Gasket—Valve Cover	171	93203	Nut—Hex.	614	93306	Pin—Cotter
10	94621	Screw—Sem	189	90366	Washer—Lock	615	93307	Retainer—E-Ring
11	280005	Tube—Breather	225	231058	Crank—Governor	635	66538	Elbow—Spark Plug
12	★271701	Gasket—Crankcase Cover (1/64" Thick)	227	490927	Lever Assy.—Governor	842	★270920	Seal—Filler Cap
	★27876	Gasket—Crankcase Cover (.005" Thick)	230	222450	Washer—Gov. Lever	847	392066	Filler Group—Oil
	★27877	Gasket—Crankcase Cover (.009" Thick)	284	94602	Screw—Clamp Mtg.	869	211661	Seat—Int. Valve (Std.)
13	94565	Screw—Cylinder Head	306		Shield—Cylinder	870	211661	Seat—Ex. Valve (Std.)
13A	93776	Stud—Cylinder Head	307	93949	Screw—Cyl. Shield	871	231218	Guide—Ex. or Int. Valve
14		Screw—Cylinder Head	308	222636	Cover—Cylinder Head			See Repair Manual.
		See Last Pages.	337		Plug—Spark	1019	491182	Label Kit
			358	299577	Gasket Set			

★ Included in Gasket Set—Part No. 299577.



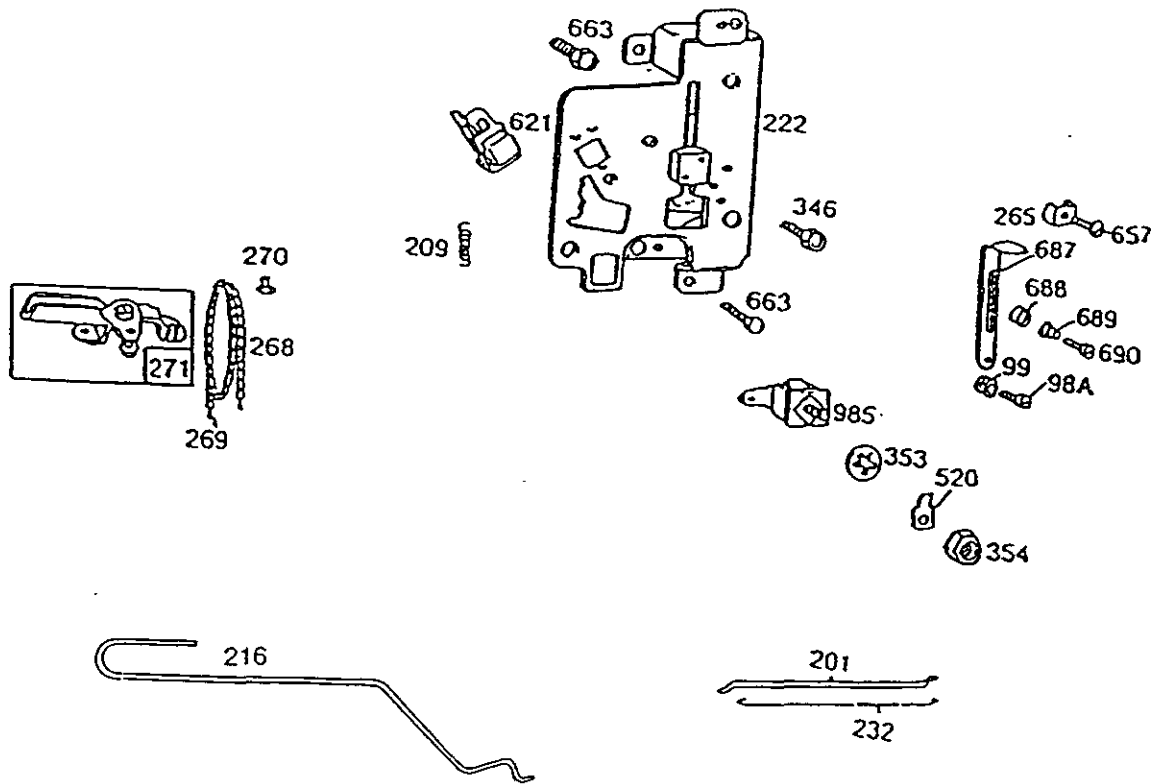
REF. NO.	PART NO.	DESCRIPTION	REF. NO.	PART NO.	DESCRIPTION	REF. NO.	PART NO.	DESCRIPTION
16	396876	Crankshaft Note: Order 94388 Key or 230978 Pin For Loose Timing Gear Retaining Device. 396877 Crankshaft Used on Type Nos. 5917, 5927.		391671	Ring Set-Piston (.020" O.S.)	40	221596	Retainer-Intake Valve
24	222698	Key-Flywheel	27	68546	Lock-Piston Pin	41	292260	Rotacoil-Ex. Valve
25	391673	Piston Assy. (Std.)	28	295840	Pin Assembly-Piston (Standard)	42	93630	Retainer-Exhaust Valve Rotacoil (2)
	391674	Piston Assembly (.010" O.S.)		295841	Pin Assembly-Piston (.005" O.S.)	45	260933	Tappet-Valve
	391675	Piston Assembly (.020" O.S.)	29	390402	Rod Assy.-Connecting Note: For Connecting Rod With .020" Undersize Crankpin Bore-Order No. 390773.	46	211689	Gear-Cam
	391676	Piston Assembly (.030" O.S.)		295841	Pin Assembly-Piston (.005" O.S.)	219	491397	Oil Slinger, Gov. Gear and Bracket Assembly
	PISTON RING SETS:		31	222114	Lock-Conn. Rod Screw	357	91540	Key-Pulley
	Note: For Chrome Piston Ring Set (Standard Size) Order No. 299743.		32	92659	Screw-Conn. Rod	741	262479	Gear-Timing (For Loose Gear With Key) Note: 261195 Gear-Timing (For Loose Gear With Pin)
26	391669	Ring Set-Piston (Std.)	33	390419	Valve-Exhaust	757	212359	Link-Counterweight
	391670	Ring Set-Piston (.010" O.S.)	34	261055	Valve-Intake	758	390172	Counterweight Assy.
			35	65906	Spring-Intake Valve	759	298909	Pin-Counterweight
			36	26828	Spring-Exhaust Valve	761	93874	Screw-Counterweight
						1020	261190	Eccentric
						1021	94160	Pin-Eccentric



121 CARBURETOR OVERHAUL KIT

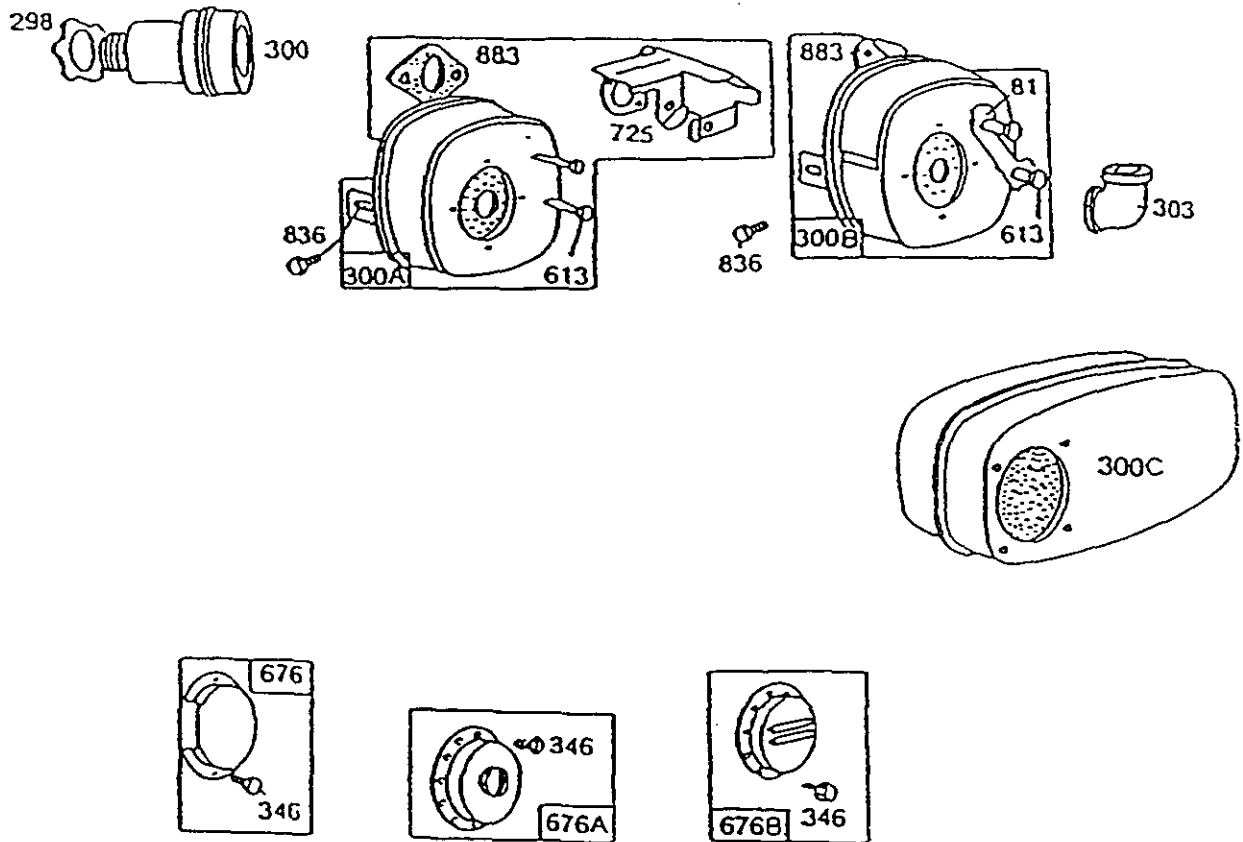
REF. NO.	PART NO.	DESCRIPTION	REF. NO.	PART NO.	DESCRIPTION	REF. NO.	PART NO.	DESCRIPTION
52		Gasket-Carburetor Mounting See Last Pages.	121	394698	Carb. Overhaul Kit	138	●222014	Washer-Float Bowl
94	●292681	Valve Assembly-Carburetor Idle	123	93357	Screw-Carb. Mtg.	141	390684	Shaft and Lever-Choke
95	93499	Screw-Throttle and Choke Valve Mtg. Sem	125		Carburetor Assembly See Last Pages.	141A	299647	Shaft and Lever-Manual Choke
98	91920	Screw-Machine, Fill. Hd.	126	299851	Body Assy. Carburetor	142	●299740	Nozzle-Carburetor
99	26157	Spring-Throttle Adj.	127	●221997	Plug-Welch	147	●231323	Screw-Nozzle
101	93043	Pin-Throttle Stop	128	211682	Venturi-Carburetor	198	293934	Valve-Fuel Shut-Off
104	●230896	Pin-Float Hinge	130	221986	Valve-Throttle	199	399949	Connector-Fuel Pipe
108	222010	Valve-Choke	131	491006	Shaft and Lever-Throttle	257	93543	Screw-Fil. Hd. Sem
110	220899	Washer-Choke Lever	132	211712	Stop-Throttle	618	261116	Spring-Choke Return
111	26229	Spring-Choke Lever	133	299707	Float-Carburetor	634	270382	Washer-Choke Shaft
112	23270	Screw-Choke Lever	134	●394681	Valve-Fuel Inlet	662	224440	Bracket-Carburetor
118	●396568	Valve-Needle Includes: 22235 Washer-Brass 26336 Spring 65978 O-Ring 230590 Nut-Hex.		Note: 394682	Valve-Fuel Inlet (Includes Brass Seat)	663	93572	Screw
				394683	Valve-Fuel Inlet (Includes Brass Seat For Impulse Pump)	917	223271	Valve Handle-Fuel Shut-Off
			136	221995	Bowl-Float	987	398970	Seal-Throttle Shaft
			137	●270511	Gasket-Float Bowl			

● Included in Carburetor Overhaul Kit- Part No. 394698.



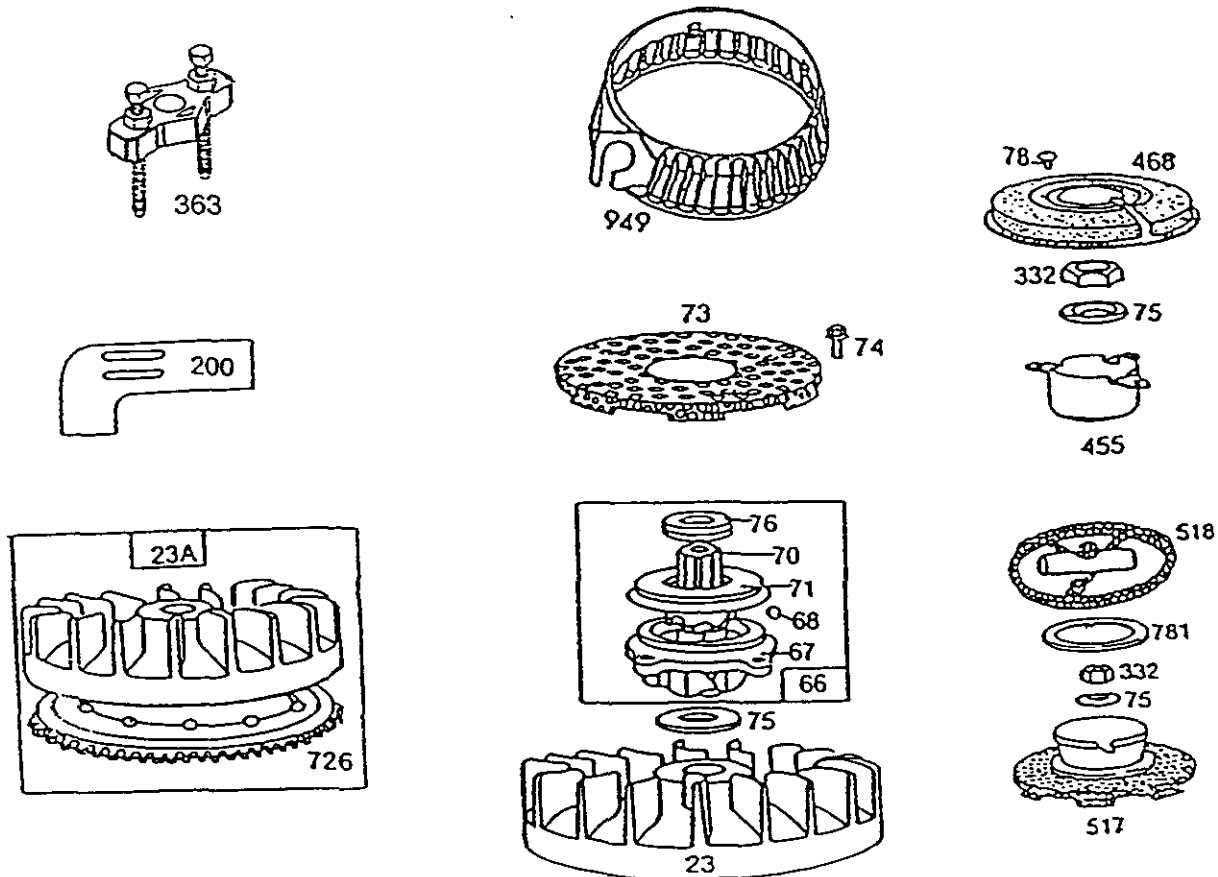
REF. NO.	PART NO.	DESCRIPTION	REF. NO.	PART NO.	DESCRIPTION	REF. NO.	PART NO.	DESCRIPTION
98A	90200	Screw-Machine, Fil. Hd.	268	65616	Casing-Control Wire (72" Long) Note: if Longer Casing is Required, Specify Length in Inches; if Shorter Casing is Needed, Order No. 65616 and Cut to Required Length.	270	63426	Locknut-Control Wire Casing
99	26157	Spring-Throttle Adjustment				271	290568	Lever Assy.-Control
201	262431	Link-Governor				346	93705	Screw-Sem
209		Spring-Governor See Last Pages.				353	92791	Washer-Lock
216	261612	Link-Choke				354	90576	Nut-Hex.
222		Plate-Gov. Control See Last Pages.	269	26633	Wire-Control (78" Long) Note: if Longer Wire is Required, Specify Length in Inches; if Shorter Wire is Needed, Order No. 26633 and Cut to Required Length.	520	93722	Terminal-Spade
232	261911	Spring-Governor Link				621	396847	Switch-Stop
265	221535	Clamp-Casing				657	93496	Screw-Sem
						663	93572	Screw
						687	390690	Slide-Friction Control
						688	221766	Cap-Friction Spring
						689	260847	Spring-Friction
						690	92484	Screw-Machine, Fil. Hd.
						985	398525	Insulator Assembly

191700 to 191799



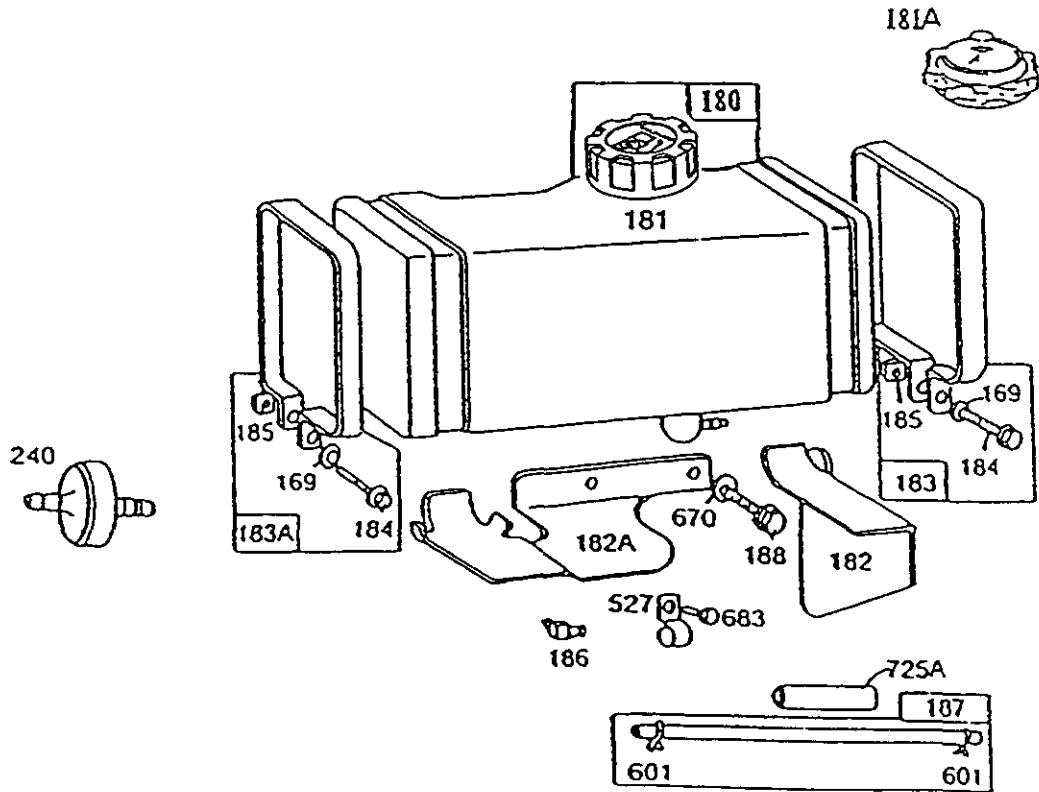
REF. NO.	PART NO.	DESCRIPTION	REF. NO.	PART NO.	DESCRIPTION	REF. NO.	PART NO.	DESCRIPTION
81	222263	Lock-Screw	346	93705	Screw-Sem	676A	395700	Deflector-Exhaust (Direct Out)
298	261409	Locknut-Muffler	614	93306	Pin-Cotter	676B	393758	Deflector-Exhaust (Louvered)
300	393010	Muffler-Exhaust (Round Lo-Tone)	676	393757	Deflector-Exhaust	725	223540	Shield-Muffler
300A	398507	Muffler-Exhaust	Note: 393761 Deflector-Exhaust		836	93559	Screw-Sem	
300B	391313	Muffler-Exhaust	(Side Outlet)		883	*272309	Gasket-Exhaust Pipe	
300C	392101	Muffler-Exhaust	Used on Type No. 2512.					
303	94092	Elbow-Exhaust 90°						

* Included in Gasket Set-Part No. 299577.

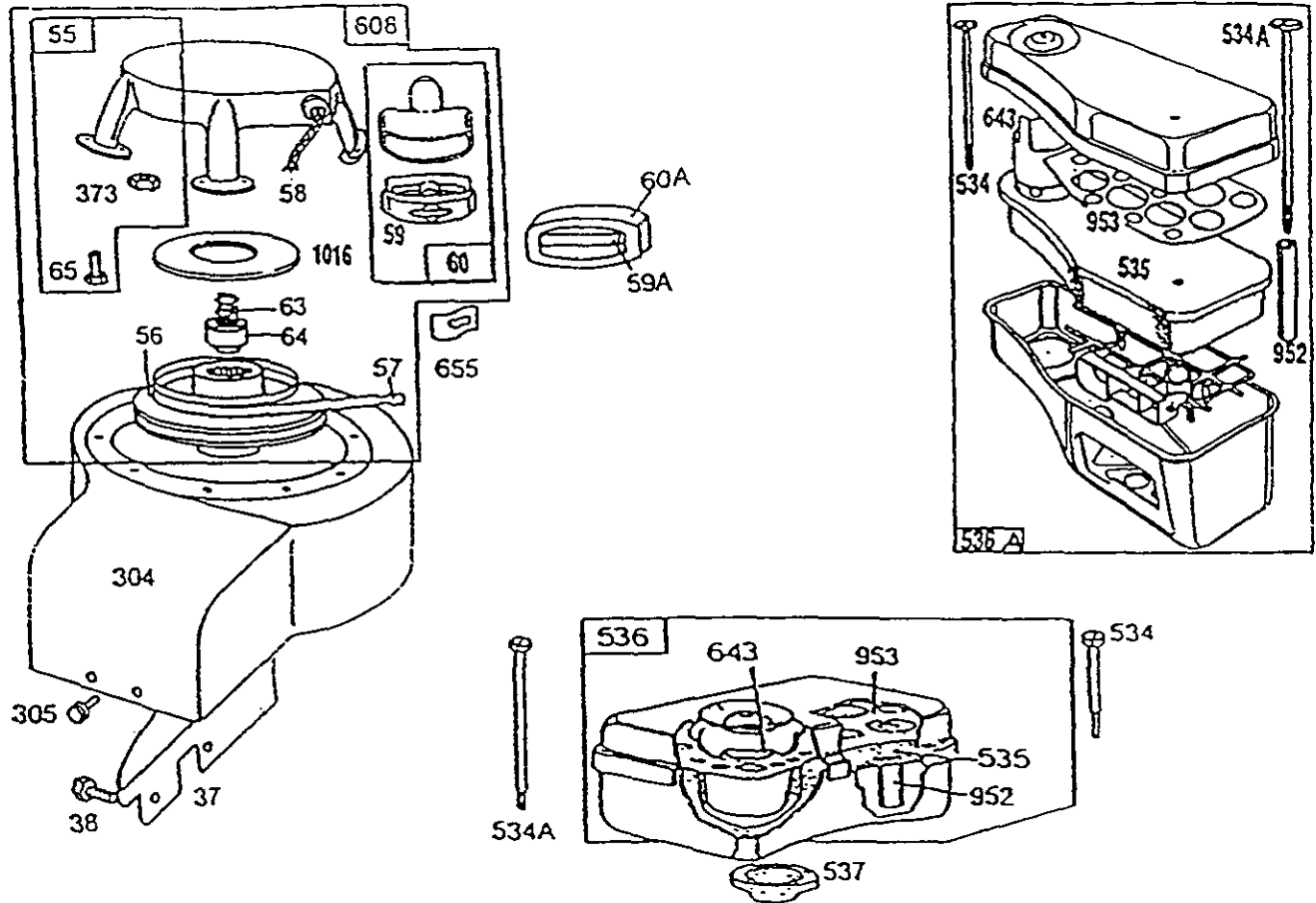


REF. NO.	PART NO.	DESCRIPTION	REF. NO.	PART NO.	DESCRIPTION	REF. NO.	PART NO.	DESCRIPTION
23	298260	Flywheel—Magneto Note: 392028 Flywheel—Magneto For Use on Engines With Alternator.			WITHOUT ALTERNATOR (Includes Aluminum Ring Gear.)	76	68238	Washer—Ratchet Sealing
23A	391983	Flywheel and Ring Gear Assy.—Magneto For Use on Engines WITH ALTERNATOR. (Includes Aluminum Ring Gear.) Note: 392034 Flywheel and Ring Gear Assy.—Magneto For Use Only on Electric Starter Engines	66	399671	Clutch Assembly—Rewind Starter	78	93805	Screw—Sem
			67	394897	Housing—Rewind Starter Clutch	200	221760	Guide—Air
			68	63770	Ball—Clutch	332	92284	Nut—Flywheel
			70	298799	Ratchet—Rewind Starter Clutch	363	19165	Puller—Flywheel
			71	394506	Washer—Clutch Retainer	455	222561	Cup—Screen Mounting
			73	221796	Screen—Rewind Starter	468	222562	Screen—Flush Rotating
			74	93758	Screw—Sem	517	295423	Pulley—Rope Starter (With Screen)
			75	224061	Washer—Spring	518	69932	Rope—Starter
						726	392134	Gear—Ring (Aluminum) (Includes Mtg. Parts)
						781	280068	Cap—Starter Pulley
						949	280685	Guard—Rewind Starter

191700 to 191799




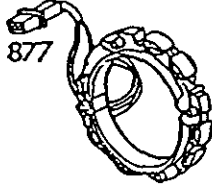
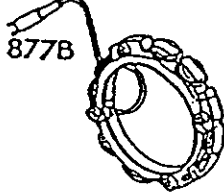



REF. NO.	PART NO.	DESCRIPTION	REF. NO.	PART NO.	DESCRIPTION	REF. NO.	PART NO.	DESCRIPTION
169	90832	Washer-Lock	187	296004	Line-Fuel (23" Long) (Cut to Suit)	527	221428	Clamp (2)
180	390225	Tank Assembly-Fuel (3 Quart)		Note: 393815	Line-Fuel (11" Long) (Cut to Suit)	601	93053	Clamp-Fuel Pipe
181	493988	Cap-Fuel Tank				670	22963	Spacer-Fuel Tank (4)
181A	397975	Cap-Fuel Tank					Note: 22776	Washer-Tank Bracket
182	222813	Bracket-Fuel Tank (R.H.)	188	93535	Screw-Sem (Used on Engines With Rewind Start).			Used on Type Nos. 2425, 2426, 2503, 2510, 2517, 2520, 2522, 2523, 2524, 2526, 2527, 2534, 2543, 4025, 5925, 5926, 5927, 6003, 6018, 6023, 6025, 6027, 6029, 6031, 6039.
182A	222979	Bracket-Fuel Tank (L.H.)		Note: 93634	Screw-Sem (Used on Engines With Electric Start).			
183	390406	Strap Assy.-Fuel Tank (R.H.)	240	298090	Filter-Fuel	683	93572	Screw
183A	390405	Strap Assy.-Fuel Tank (L.H.)		Note: 394358	Filter-Fuel (In Fuel Pipe)	725A	222175	Heat Shield-Fuel Pipe
184	93803	Screw-Hex. Hd.			Used on Engines With Fuel Pumps.			
185	90970	Nut-Square						
186	67218	Connector-Fuel Pipe						

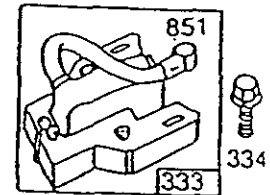
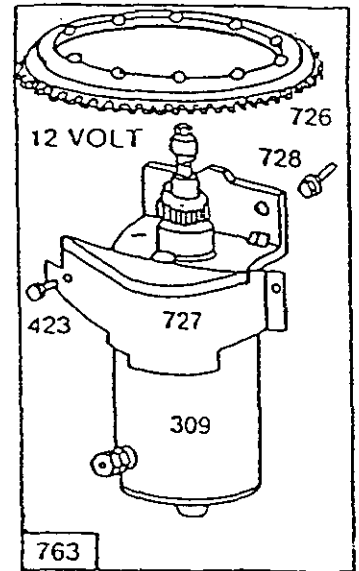


REF. NO.	PART NO.	DESCRIPTION	REF. NO.	PART NO.	DESCRIPTION	REF. NO.	PART NO.	DESCRIPTION
37	222475	Guard-Flywheel Note: 222402 Guard-Flywheel Used on Type No. 6032.	58	66884	Rope-Rewind Starter (63" Long) if Longer Rope is Needed, Order No. 66894 and Cut to Required Length.	373	92987	Nut-Hex.
38	93777	Screw-Sem	59	490653	Insert-Starter Handle	534	93622	Screw-Air Cleaner
55	393576	Housing-Rewind Starter	59A	230228	Pin-Starter Grip	534A	93323	Screw-Air Cleaner
56	295871	Pulley-Rewind Starter Note: Includes 63" Rope; if Longer Rope is Required, Order Rope No. 66894 and Cut to Required Length.	60	490652	Handle-Rewind Starter	535	270528	Element-Air Cleaner
57	490179	Spring-Rewind Starter	60A	66728	Grip-Starter Rope	536	390379	Cleaner Assy.-Air Uses: 280111 Support-Air Cleaner Element (Plastic)
			63	260414	Spring-Ratchet	536A	391399	Cleaner Assy.-Air
			64	230543	Adapter-Ratchet Spring	537	*270539	Gasket-Air Cleaner
			65	94128	Screw-Hex. Head	608	390391	Starter Assy.-Rewind
			304		Housing-Blower See Last Pages.	643	222149	Cup-Air Cleaner
			305	93158	Screw-Blower Housing Mounting	655	222598	Anchor-Spring
						952	222495	Spacer-Air Cleaner
						953	222022	Screen-Air Cleaner
						1016	490817	Spacer

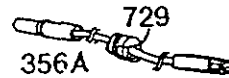
* Included in Gasket Set-Part No. 299577.

191700 to 191799

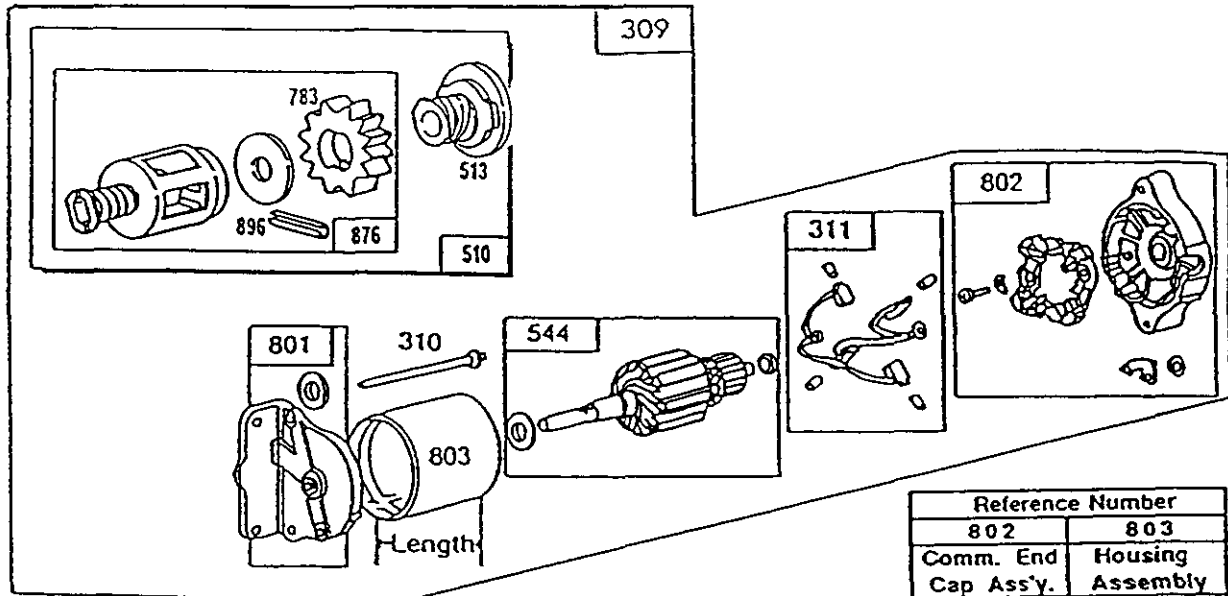
DC ONLY	DUAL CIRCUIT	TRI-CIRCUIT
23A or NOTE under 23	23A or NOTE under 23	23A or NOTE under 23
887 	474 	474A 
		



NOTE: All Stators Use No. 482 Mtg. Screw



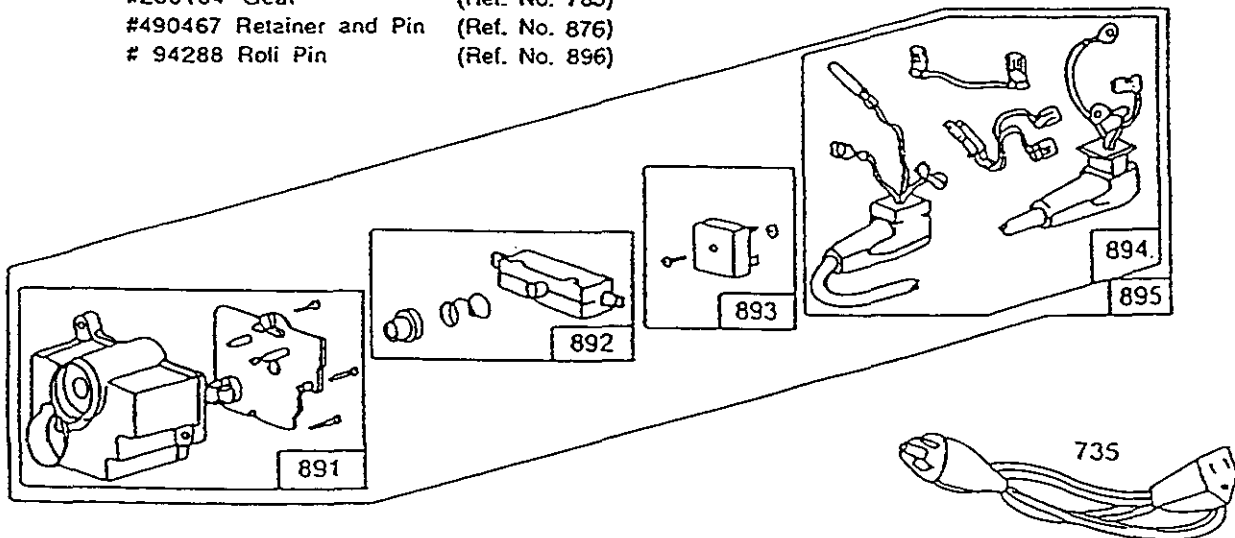
REF. NO.	PART NO.	DESCRIPTION	REF. NO.	PART NO.	DESCRIPTION	REF. NO.	PART NO.	DESCRIPTION
309		Motor-Starting (12 Volt) See Chart For Replacement Parts on Illustrated Pages. Note: For Starter Generator See MS6927 For Illustration and Parts.	726	392134	Gear-Ring (Includes Mtg. Parts)	814	392606	Diode and Connector Assembly-Alternator (Tri-Circuit)
			727	395405	Cover-Starter (Includes Mtg. Screws) Note: 221968 Guard-Ring Gear 223597 Guard-Ring Gear Both Guards Use: 93712 Screw 93713 Lockwasher Used to Mount Guards on Type Nos. 2537, 4001, 6006.	851	221798	Terminal-Ignition Cable
333	398811	Armature-Magneto	728	93535	Screw-Sem	877	393456	Diode and Connector Assy. (Dual Circuit)
334	93381	Screw-Armature Mtg.	729	281159	Clip-Lead Wire	877A	393814	Diode and Connector Assembly
356	398808	Wire-Assembly	763	394952	Electric Starter Kit (12 Volt) (Gear Drive)	877B	393537	Connector Assembly (Tri-Circuit)
356A	494328	Wire-Ground				878	393362	Alternator Harness Assy. (Dual Circuit)
423	93984	Screw-Hex. Hd. (Shield Mtg.)				878A	393422	Alternator Harness Assembly
474	393474	Stator-Alternator (Dual Circuit)				887	391529	Stator Assembly-Alternator (D.C.)
474A	392595	Stator-Alternator (Tri-Circuit)						
482	93621	Screw-Sem						



Reference Number	
802	803
Comm. End Cap Ass'y.	Housing Assembly
491192	491008

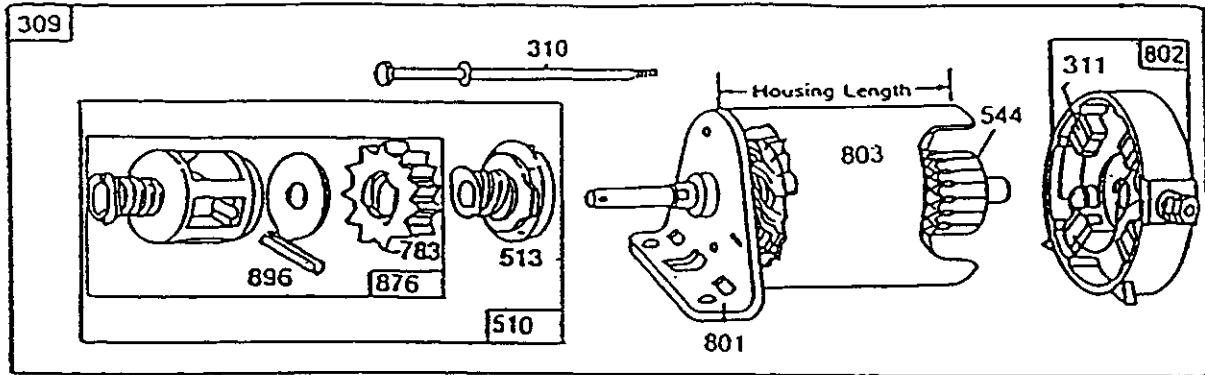
Reference Number		309 & 895	310	311	510	544	801
Manufacturer		Motor and Control Ass'y.	Thru Bolt Assembly	Brush Assembly	Drive Assembly	Armature Assembly	Drive End Cap Assembly
Briggs & Stratton	Housing Length						
120V	3-1/2"	396505 (UL)	93934	393612	490421*	393607	394398

*Includes #398003 Clutch Assembly (Ref. No. 513)
 #280104 Gear (Ref. No. 783)
 #490467 Retainer and Pin (Ref. No. 876)
 # 94288 Roli Pin (Ref. No. 896)



Reference Number	735	891	892	893	894	895
Manufacturer	Cord Starter	Housing Group	Switch Group	Rectifier Group	Lead Group	Control Group
Briggs & Stratton						
120V	390966	393705	393708	393707	393706	391486

191700 to 191799



Reference No.		309	310	311	510	544	801	802	803
Starter Motor Mfr.		Motor & Drive Ass'y.	Thru Boly Assembly	Brush Assembly	Drive Assembly	Armature Assembly	End Cap Ass'y Drive	End Cap Ass'y Commutator	Housing Assembly
Briggs & Stratton	Housing Length								
12V	3-21/32*	394805	94003	395538	490421**	390837	394856	395537*	398159
United Technologies	Housing Length								
12V	3-15/32*	394805	-	492020	490421**	-	394856	492021*	-

*Includes Brush Set

**Includes #398003 Clutch Assembly (Ref. No. 513)
 #280104 Gear (Ref. No. 783)
 #490467 Retainer Kit (Ref. No. 876)
 # 94192(Black) or 94288(Yellow)Roll Pin (Ref. No. 896)

191700 to 191799

REF. NO.	PART NO.	DESCRIPTION	REF. NO.	PART NO.	DESCRIPTION	REF. NO.	PART NO.	DESCRIPTION
8	299848	Breather Assembly Note: 391406 Breather Assy. Used on Type Nos. 4001, 4002, 4003, 4004, 4005, 4006, 4014, 4025, 5915, 5916, 5917, 5925, 5926, 5927, 6000, 6002, 6003, 6004, 6005, 6006, 6007, 6008, 6009, 6010, 6011, 6012, 6013, 6015, 6016, 6017, 6018, 6019, 6020, 6023, 6024, 6025, 6026, 6029, 6031, 6032, 6034, 6035, 6036, 6037, 6039, 6040, 6042, 6044, 6045.	52	●270538	Gasket-Carburetor Note: ★270824 Gasket-Carburetor Mounting Used on Type Nos. 4001, 4002, 4003, 4004, 4005, 4006, 4014, 4025, 5915, 5916, 5917, 5925, 5926, 5927, 6000, 6002, 6003, 6004, 6005, 6006, 6007, 6008, 6009, 6010, 6011, 6012, 6013, 6015, 6016, 6017, 6018, 6019, 6020, 6023, 6024, 6025, 6026, 6029, 6031, 6032, 6034, 6035, 6036, 6037, 6039, 6040, 6042, 6044, 6045.	209	260871	Spring-Governor Note: 261126 Spring-Gov. Used on Type Nos. 2510, 2511, 2512, 2523, 2529, 2534, 2535, 2540, 2541, 2542, 2543, 5917, 5927, 6009, 6012, 6013, 6017, 6018, 6024, 6025, 6034, 6035, 6039. 261194 Spring-Gov. Used on Type No. 2533. 261306 Spring-Gov. Used on Type Nos. 2416, 2440, 2501, 2503, 2539, 4016, 5916, 6000, 6011.
14	93723	Screw-Cylinder Head (3" Long) 1 Req'd. Note: 93781 Stud-Cyl. Head 22963 Washer Used on Type Nos. 2440, 6016, 6019, 6020.	125	491590	Carburetor Assembly (Choke-A-Matic®) Note: 491591 Carb. Assy. (Manual Choke) Used on Type Nos. 2416, 2440, 2501, 2503, 2516, 2527, 2539, 4001, 4005, 4016, 5916, 6000, 6004, 6005, 6006, 6010, 6022, 6029, 6030, 6042.	222	491594	Plate-Gov. Control (Choke-A-Matic®) Note: 491593 Plate-Gov. Control (Manual Choke) Used on Type Nos. 2416, 2501, 2503, 2516, 2527, 2536, 2539, 4001, 4005, 4016, 5916, 6000, 6004, 6005, 6006, 6010, 6022, 6029, 6030, 6042. 494457 Plate-Gov. Control (Choke-A-Matic®) Used on Type Nos. 6002, 6037. 494458 Plate-Gov. Control (Manual Choke) Used on Type No. 2440.
15	91084	Plug-Oil Drain Note: 93448 Plug-Oil Drain (Hex. Socket) Used on Type No. 2439. 93418 Plug-Oil Drain Used on Type No. 2537.						
18	392548	Base-Engine Note: 390479 Base-Engine Used on Type No. 2439. 397305 Base-Engine Used on Type No. 2537.						

★ Included in Gasket Set-Part No. 299577.

● Included in Carburetor Overhaul Kit-Part No. 394698.

191700 to 191799

REF. NO.	PART NO.	DESCRIPTION	REF. NO.	PART NO.	DESCRIPTION	REF. NO.	PART NO.	DESCRIPTION
304	491596	Housing-Blower Note: 491407 Housing-Blower Used on Type Nos. 4002, 4003, 4004, 4014, 4016, 5915, 5916, 5917, 6000, 6004, 6007, 6008, 6010, 6011, 6020, 6022, 6024, 6026, 6040, 6044. 491408 Housing-Blower Used on Type Nos. 4001, 4005, 4006, 4025, 5925, 5926, 5927, 6002, 6003, 6005, 6006, 6009, 6012, 6013, 6015,			6016, 6017, 6018, 6019, 6021, 6023, 6025, 6027, 6029, 6030, 6031, 6032, 6034, 6035, 6036, 6037, 6039, 6042, 6045. 491584 Housing-Blower Used on Type No. 2440. 491592 Housing-Blower Used on Type Nos. 2425, 2426, 2439, 2503, 2508, 2509, 2510, 2512, 2515, 2516, 2517, 2519, 2520, 2522, 2523,			2524, 2526, 2527, 2528, 2529, 2530, 2533, 2534, 2537, 2538, 2540, 2541, 2543.
						306	222830	Shield-Cylinder Note: 224543 Shield-Cylinder Used on Type Nos. 6021, 6030.
						337	298809	Plug-Spark (1-1/2" High, 38 mm) Note: 293918 Plug-Spark (1-1/2" High, 38 mm) (Resistor Type) 492167 Plug-Spark (1-7/8" High, 48 mm) (Resistor Type) 802592 Plug-Spark (1-7/8" High, 48 mm)



BRIGGS & STRATTON

®