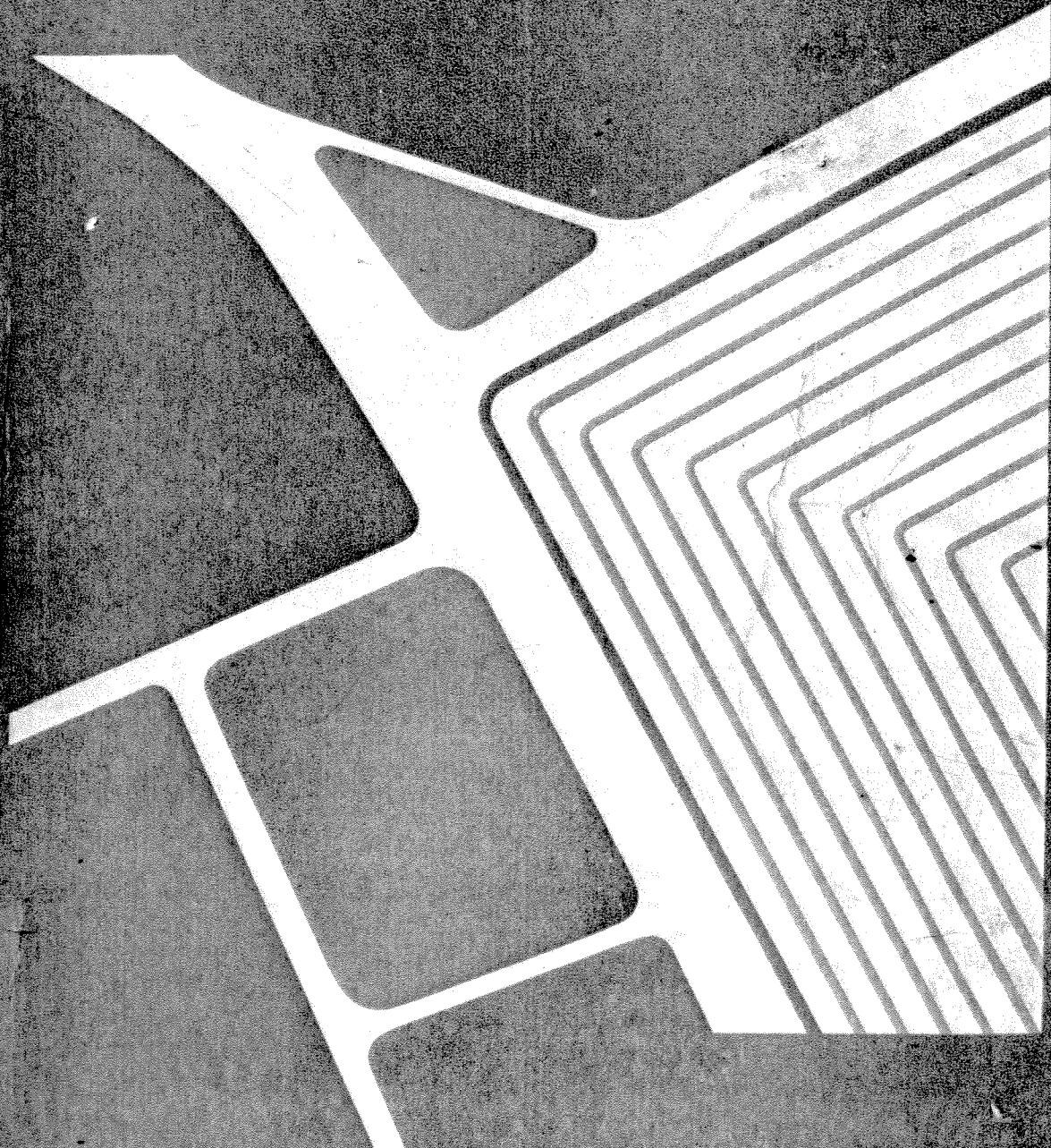


HONDA



TILLER MODEL F40



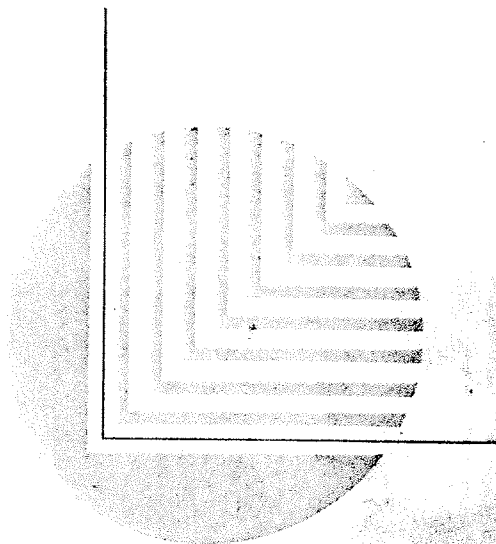
1

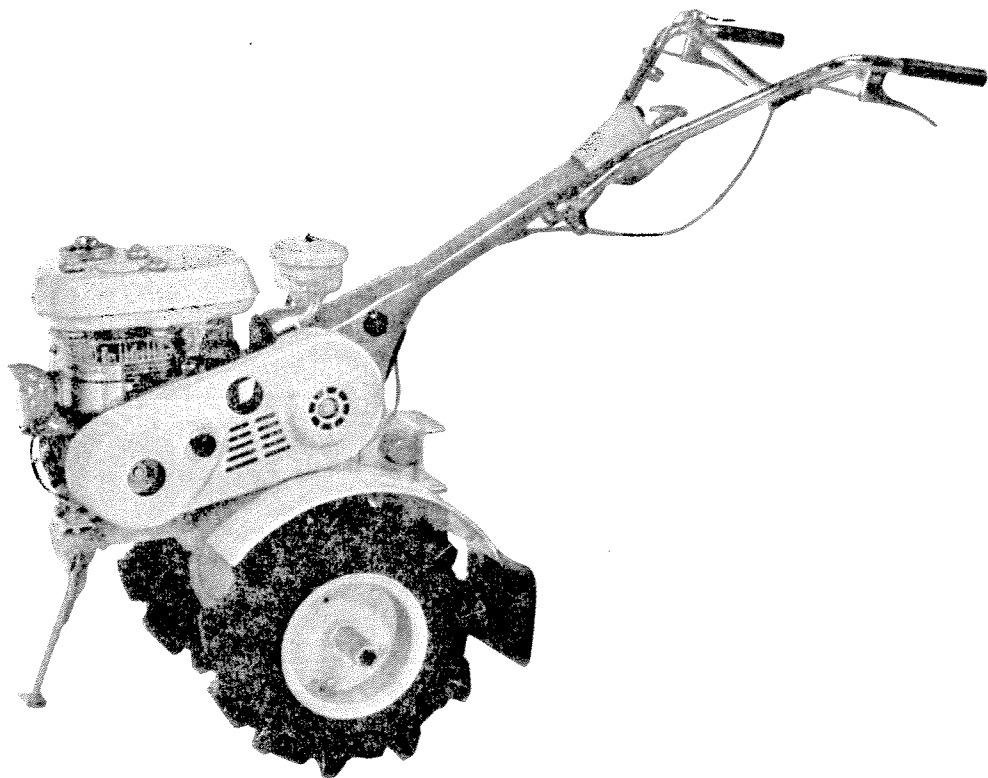
PARTS LIST
HONDA GENUINE PARTS

HONDA TILLER

F 4 0

PARTS LIST



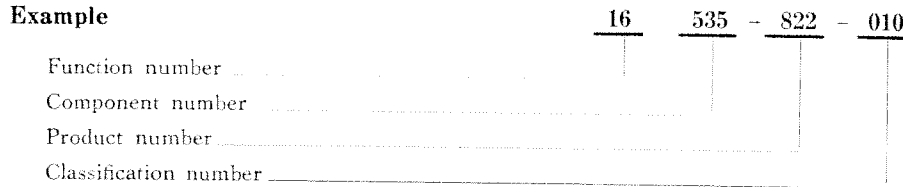


APPLICATION OF PARTS LIST

This is a list of parts used for HONDA TILLER
MODEL F40

1. How to read the Part Number

The composition of part number is shown by the following example :



2. How to Order Parts

When ordering parts from us, please specify the correct part numbers by referring to this Parts List.

Check the engine number and frame number, the engine number is stamped on the cylinder barrel and frame number is stamped on the handle column.

3. News Number

The News Number shown refers to the Parts News issued by Honda Service Center. When details concerning the modification to any part is required, please refer to the Parts News Number shown.

4. Maintaining the Parts List up-to-date

Every three months a "Revision Sheet" will be issued to include the latest changes and modifications. When the "Revision Sheet" are received, insert these sheet in the Parts List and remove the revised sheet. In this way, the Parts List is always kept current.

5. Remarks

G40FD is the type of engine mounted on F40. Only the figures in the column of "G40FD" under "Qty used" indicate the parts composing engine for tiller. Other parts for which no figures are indicated in the column of "G40FD" are not component parts of tillers engine.

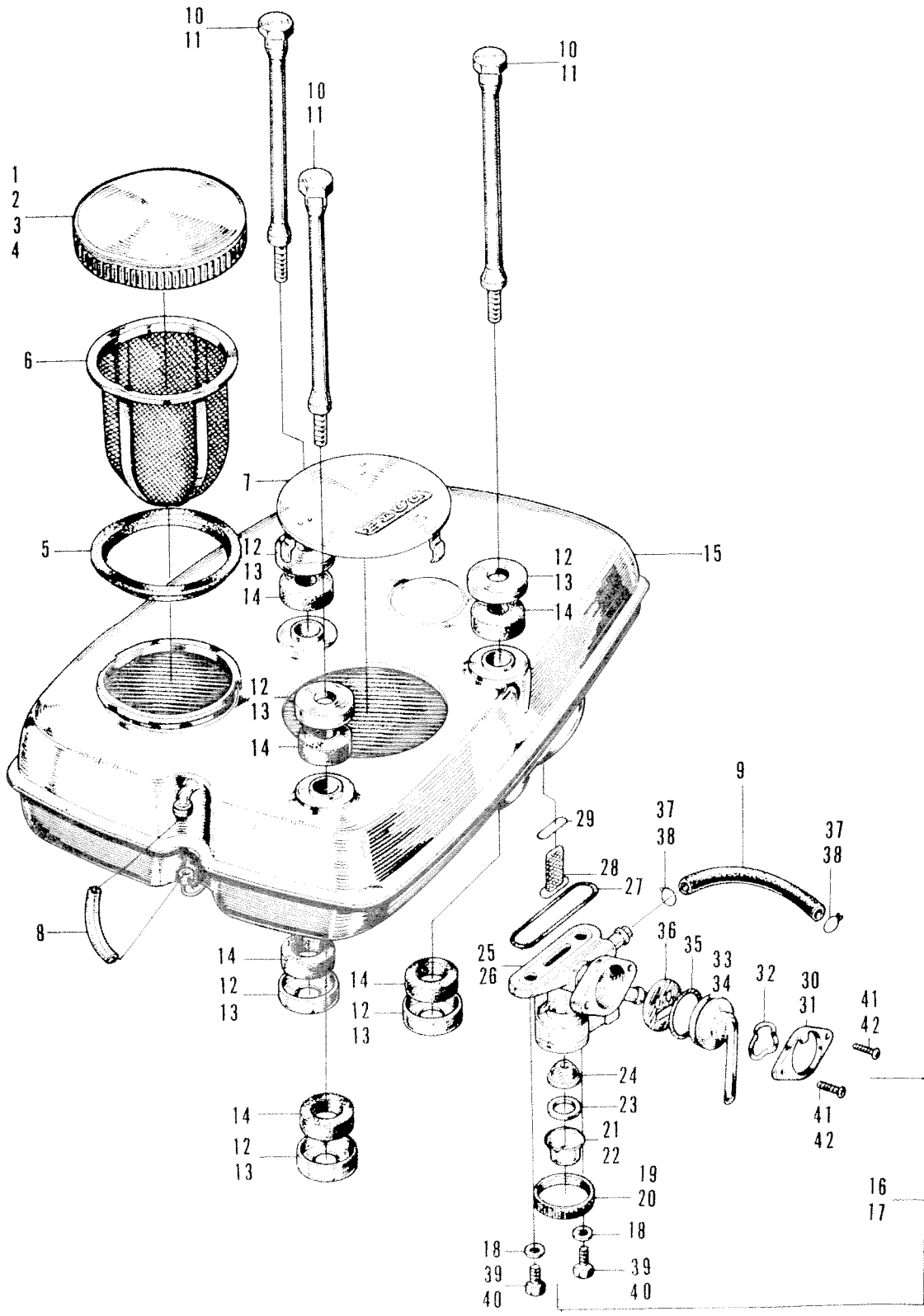
• This Parts List was compiled as of June 10, 1967.

HONDA MOTOR CO., LTD.
SERVICE DIVISION

CONTENTS

| Block No. | Description | Page |
|---------------|---------------------------------|------|
| ENGINE | | |
| E- 1..... | Fuel Tank | 2 |
| E- 2..... | Air Cleaner • Tool..... | 6 |
| E- 3..... | Oil Bass Air Cleaner | 8 |
| E- 4..... | Carburetor | 10 |
| E- 5..... | Muffler | 14 |
| E- 6..... | Recoil Starter | 16 |
| E- 7..... | Governor Control | 18 |
| E- 8..... | Cover • Oil Level Gauge..... | 20 |
| E- 9..... | Magneto | 22 |
| E-10..... | Cylinder | 26 |
| E-11..... | Crankshaft | 30 |
| E-12..... | Camshaft • Oil Pan | 34 |
| FRAME | | |
| F- 1..... | Weight | 36 |
| F- 2..... | Belt Cover | 38 |
| F- 3..... | Pulley | 40 |
| F- 4..... | Handle | 42 |
| F- 5..... | Swing Handle | 46 |
| F- 6..... | Handle Column | 48 |
| F- 7..... | Oil Bath Air Cleaner | 50 |
| F- 8..... | Hitch Box • Tool | 52 |
| F- 9..... | Head Light | 54 |
| F-10..... | Wheel | 56 |
| F-11..... | Engineframe..... | 58 |
| F-12..... | Mission | 60 |
| F-13..... | Oil Pump | 62 |
| F-14..... | Wheel Shaft..... | 64 |
| F-15..... | Change Shaft • Brake Shoe | 66 |
| F-16..... | Left Case | 68 |
| F-17..... | Right Case | 70 |

E-1 Fuel Tank



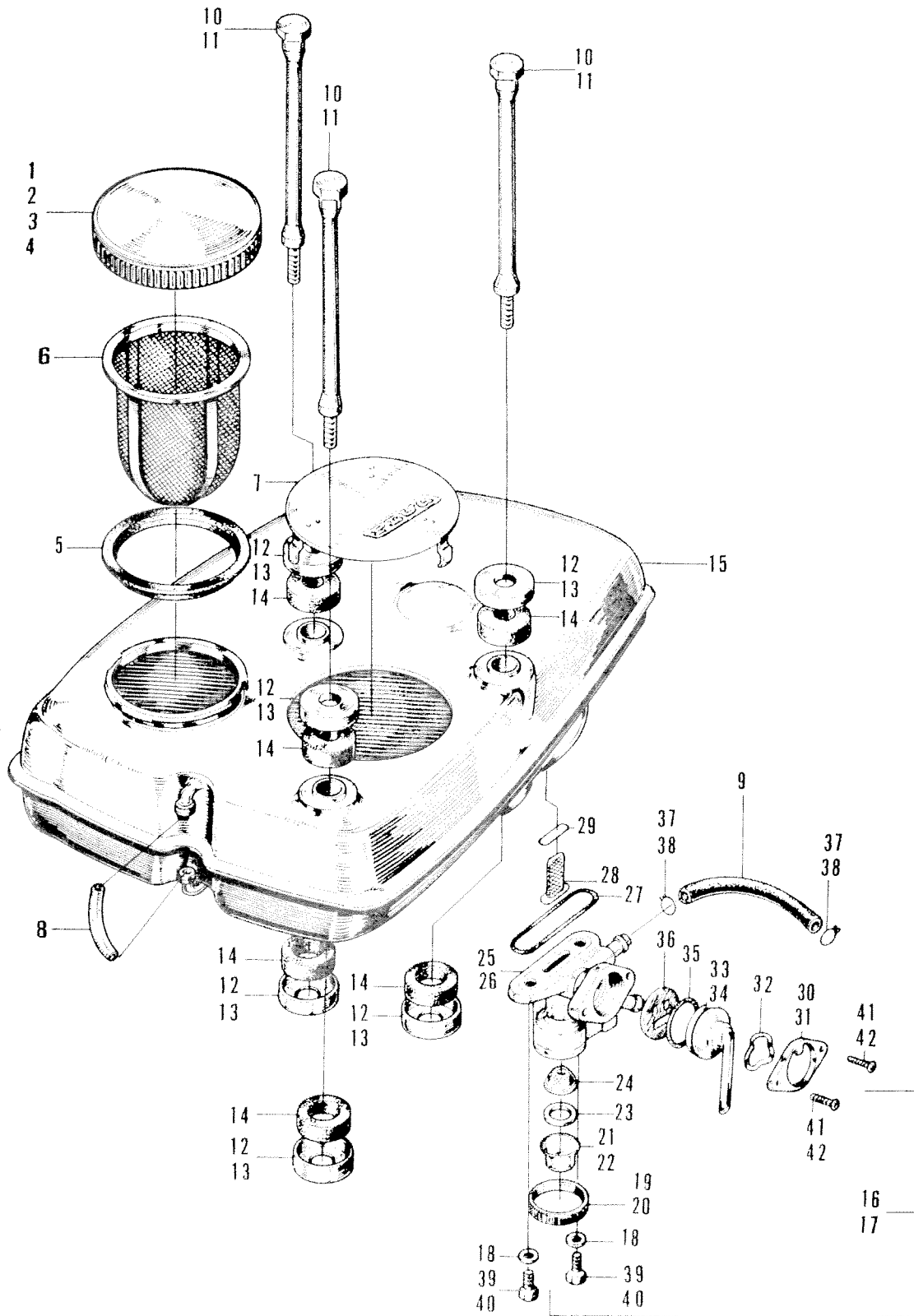
E-1 Fuel Tank

| Ref. No. | Part No. | Description | Reqd. No. | | | | | | | No. Used on | | Remar |
|----------|---------------|--|-----------|----------|----------|----------|----------|----------|----------|-------------|-------------|-------------|
| | | | G40 D | G40 M | G40 B | G40 D | G40 E | G40 F | G40 W | From | To | |
| 1 | 17650-805-000 | CAP, fuel tank | 1 | - | - | 1 | - | - | - | 1 | G40-1000012 | |
| 2 | 17650-806-000 | CAP, fuel tank | - | 1 | - | - | - | - | - | - | G40-1000012 | |
| 3 | 17650-806-620 | CAP, fuel tank | - | - | 1 | - | - | - | - | - | G40-1000012 | |
| 4 | 17650-808-000 | CAP, fuel tank | - | - | - | - | - | - | 1 | - | G40-1000012 | |
| 5 | 17673-703-010 | PACKING, fuel filter (Superseded by 17673-703-020 with 17672-703-010) | 1 | 1 | 1 | 1 | 1 | 1 | 1 | 1 | G40-1000012 | G40-1011049 |
| | 17673-703-020 | PACKING, fuel filter | 1 | 1 | 1 | 1 | 1 | 1 | 1 | 1 | G40-1011050 | |
| 6 | 17672-703-000 | FILTER, fuel (Superseded by 17672-703-010 with 17673-703-020) | 1 | 1 | 1 | 1 | 1 | 1 | 1 | 1 | G40-1000012 | G40-1011049 |
| | 17672-703-010 | FILTER, fuel | 1 | 1 | 1 | 1 | 1 | 1 | 1 | 1 | G40-1011050 | |
| 7 | 17617-822-000 | COVER, plug | 1 | 1 | 1 | 1 | 1 | 1 | 1 | 1 | G40-1000012 | |
| 8 | 17681-822-000 | TUBE, fuel level | 1 | 1 | 1 | - | 1 | 1 | 1 | 1 | G40-1000012 | |
| 9 | 16851-822-000 | TUBE, fuel | 1 | 1 | 1 | - | 1 | 1 | 1 | 1 | G40-1000012 | |
| 10 | 90002-822-000 | BOLT, tank setting | 3 | - | - | - | 3 | 3 | 3 | 3 | G40-1000012 | |
| 11 | 90002-822-650 | BOLT, tank setting | - | 3 | 3 | - | - | - | - | - | G40-1000012 | |
| 12 | 90401-822-000 | WASHER, tank | 6 | - | - | - | 6 | 6 | 6 | 6 | G40-1000012 | |
| 13 | 90401-822-650 | WASHER, tank | - | 6 | 6 | - | - | - | - | - | G40-1000012 | |
| 14 | 17631-822-000 | RUBBER, tank cushion | 6 | 6 | 6 | - | 6 | 6 | 6 | 6 | G40-1000012 | |
| 15 | 17500-822-000 | TANK, fuel | 1 | 1 | 1 | - | 1 | 1 | 1 | 1 | G40-1000012 | |
| 16 | 16950-822-000 | COCK ASSY., fuel | 1 | - | - | 1 | 1 | 1 | 1 | 1 | G40-1000012 | |
| 17 | 16950-822-650 | COCK ASSY., fuel | - | 1 | 1 | - | - | - | - | - | G40-1000012 | |
| 18 | 90445-700-000 | PACKING, fiber, 6 mm | 2 | 2 | 2 | 2 | 2 | 2 | 2 | 2 | G40-1000012 | |
| 19 | 16957-703-004 | NUT, ring | 1 | - | - | 1 | 1 | 1 | 1 | 1 | G40-1000012 | |
| 20 | 16957-822-650 | NUT, ring | - | 1 | 1 | - | - | - | - | - | G40-1000012 | |
| 21 | 16921-815-004 | CHAMBER, fuel | 1 | - | - | 1 | 1 | 1 | 1 | 1 | G40-1000012 | |
| 22 | 16921-822-650 | CHAMBER, fuel | - | 1 | 1 | - | - | - | - | - | G40-1000012 | |
| 23 | 16958-703-004 | PACKING, cap | 1 | 1 | 1 | 1 | 1 | 1 | 1 | 1 | G40-1000012 | |
| 24 | 16931-815-004 | ELEMENT | 1 | 1 | 1 | 1 | 1 | 1 | 1 | 1 | G40-1000012 | |
| 25 | 16961-815-014 | BODY, cock | 1 | - | - | 1 | 1 | 1 | 1 | 1 | G40-1000012 | |
| 26 | 16961-822-650 | BODY, cock | - | 1 | 1 | - | - | - | - | - | G40-1000012 | |

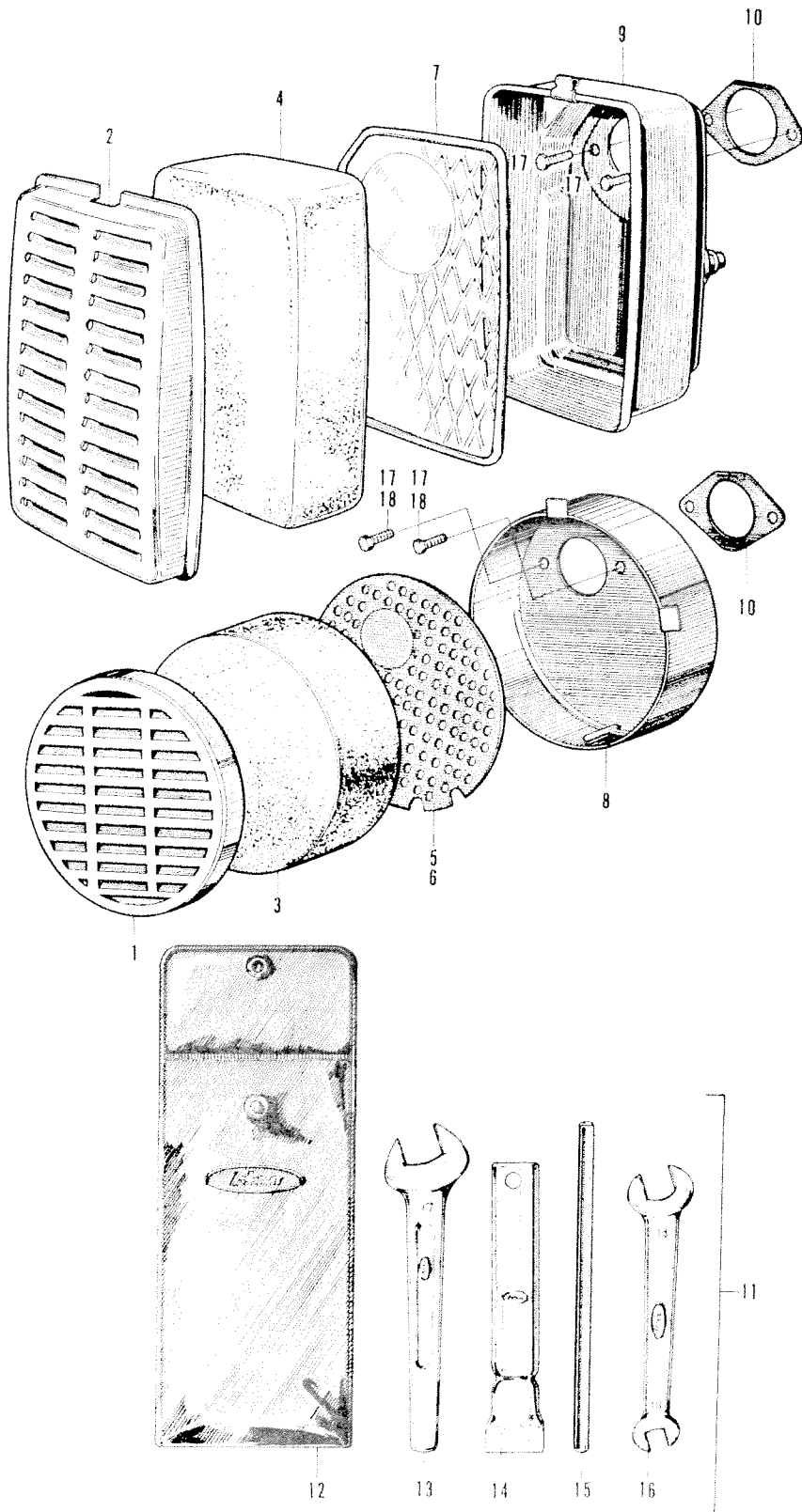
E-1 Fuel Tank

| Ret. No. | Part No. | Description | Reqd. No. | | | | | | | No. Used on | | Remarks |
|----------|---------------|--|-----------|-----------|-----------|-----------|-----------|-----------|------|-------------|-------------|---------|
| | | | 640 D | 640 MD | 640 BD | 640 ED | 640 FD | 640 WD | From | To | | |
| 27 | 16955-815-004 | O-RING | 1 | 1 | 1 | 1 | 1 | 1 | 1 | 640-100012 | | |
| 28 | 16981-815-004 | FILTER, check | 1 | 1 | 1 | 1 | 1 | 1 | 1 | 640-100012 | | |
| 29 | 16982-815-004 | PACKING, check filter | 1 | 1 | 1 | 1 | 1 | 1 | 1 | 640-100012 | | |
| 30 | 16978-815-004 | STOPPER, lever | 1 | - | - | 1 | 1 | 1 | 1 | 640-100012 | | |
| 31 | 16978-822-650 | STOPPER, lever | - | 1 | 1 | - | - | - | - | 640-100012 | | |
| 32 | 16975-815-004 | SPRING, cock lever | 1 | 1 | 1 | 1 | 1 | 1 | 1 | 640-100012 | | |
| 33 | 16972-822-004 | LEVER, cock | 1 | - | - | 1 | 1 | 1 | 1 | 640-100012 | 640-1005260 | |
| | | (Superseded by 16972-822-014 with 16983-815-000) | | | | | | | | | | |
| | 16972-822-014 | LEVER, cock | 1 | - | - | 1 | 1 | 1 | 1 | 640-1005261 | | |
| 34 | 16972-822-650 | LEVER, cock | - | 1 | 1 | - | - | - | - | 640-100012 | 640-1005260 | |
| | | (Superseded by 16972-822-651 with 16983-815-000) | | | | | | | | | | |
| | 16972-822-651 | LEVER, cock | - | 1 | 1 | - | - | - | - | 640-1005261 | | |
| 35 | 16983-815-000 | O-RING, 21 mm | 1 | 1 | 1 | 1 | 1 | 1 | 1 | 640-100012 | | |
| 36 | 16973-815-014 | PACKING, cock | 1 | 1 | 1 | 1 | 1 | 1 | 1 | 640-100012 | | |
| 37 | 95002-70000 | CLIP, fuel tube, 7 mm | 2 | - | - | 2 | 2 | 2 | 2 | 640-100012 | | |
| 38 | 90642-822-650 | CLIP, fuel tube, 7 mm | - | 2 | 2 | - | - | - | - | 640-100012 | | |
| 39 | 92000-06016 | BOLT, hex., 6×16 | 2 | - | - | 2 | 2 | 2 | 2 | | | |
| 40 | 92000-0601602 | BOLT, hex., 6×16 | - | 2 | 2 | - | - | - | - | | | |
| 41 | 93500-03006 | SCREW, cross, 3×6 | 2 | - | - | 2 | 2 | 2 | 2 | | | |
| 42 | 93500-0300602 | SCREW, cross, 3×6 | - | 2 | 2 | - | - | - | - | | | |

E-1 Fuel Tank



E-2 Air Cleaner - Tool



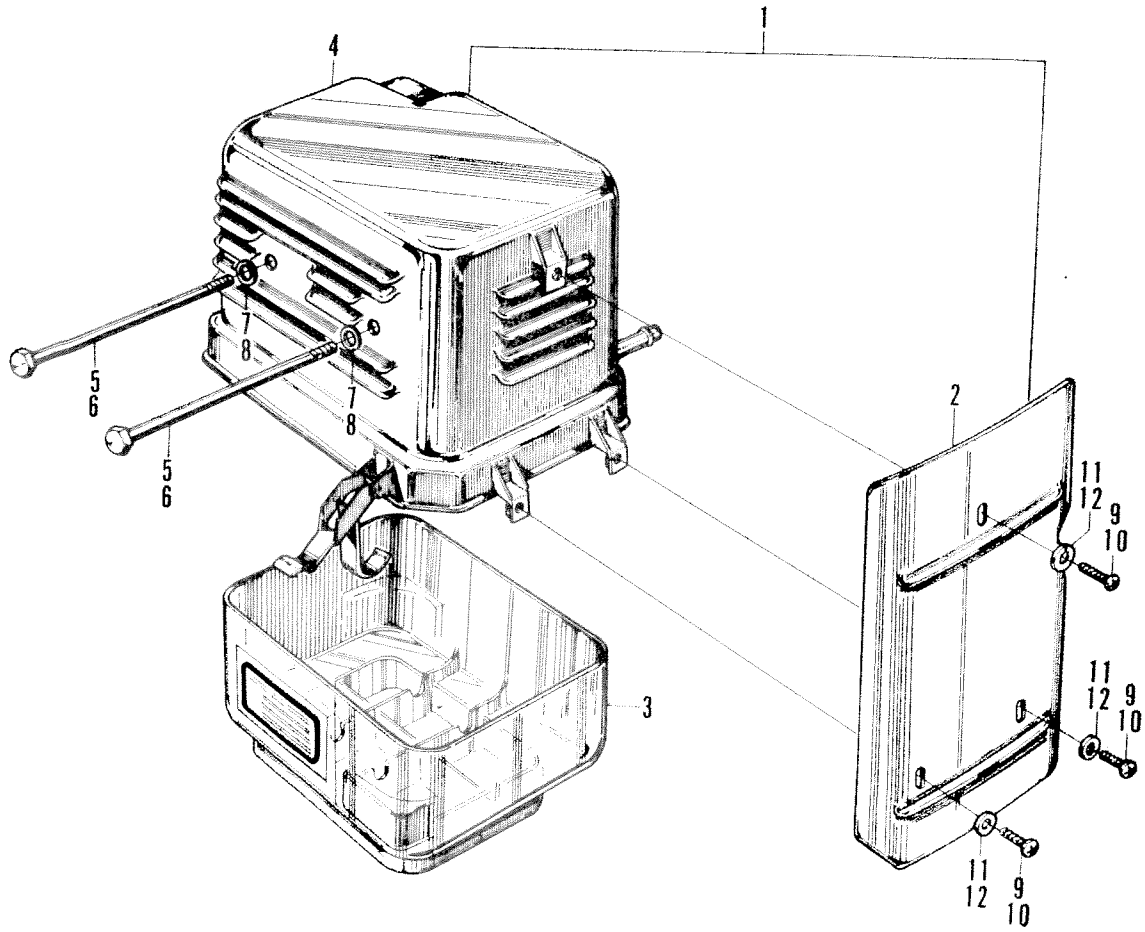
E-2 Air Cleaner - Tool

| Ref. No. | Part No. | Description | Reqd. No. | | | | | No. Used on | | Remarks |
|----------|----------------|-----------------------------------|-----------|----------|-----------|-----------|-----------|------------------|----|---------|
| | | | 640 N | 640 A | 640 BD | 640 ED | 640 WD | From | To | |
| 1 | 17231-805-020C | COVER, air cleaner | 1 | - | 1 | - | 1 | 640-1000012..... | | |
| 2 | 17231-807-642C | COVER, air cleaner | - | 1 | - | 1 | - | 640-1000012..... | | |
| 3 | 17211-805-000 | ELEMENT, air cleaner..... | 1 | - | 1 | - | 1 | 640-1000012..... | | |
| 4 | 17211-807-641 | ELEMENT, air cleaner..... | - | 1 | - | 1 | - | 640-1000012..... | | |
| 5 | 17212-805-014 | GRID, air cleaner | 1 | - | - | - | 1 | 640-1000012..... | | |
| 6 | 17212-806-000 | GRID, air cleaner | - | - | 1 | - | - | 640-1000012..... | | |
| 7 | 17212-807-640 | GRID, air cleaner | - | 1 | - | 1 | - | 640-1000012..... | | |
| 8 | 17220-822-000 | CASE, air cleaner | 1 | - | 1 | - | 1 | 640-1000012..... | | |
| 9 | 17220-822-670 | CASE, air cleaner | - | 1 | - | 1 | - | 640-1000012..... | | |
| 10 | 16269-822-000 | PACKING, air cleaner | 1 | 1 | 1 | 1 | 1 | 640-1000012..... | | |
| 11 | 83010-805-000 | TOOL SET | 1 | 1 | 1 | 1 | 1 | 640-1000012..... | | |
| 12 | 83151-805-000 | BAG, tool | 1 | 1 | 1 | 1 | 1 | 640-1000012..... | | |
| 13 | 89206-805-000 | SPANNER, 17 mm..... | 1 | 1 | 1 | 1 | 1 | 640-1000012..... | | |
| 14 | 89216-809-000 | WRENCH, sparking plug..... | 1 | 1 | 1 | 1 | 1 | 640-1000012..... | | |
| 15 | 89129-805-000 | HANDLE, box wrench..... | 1 | 1 | 1 | 1 | 1 | 640-1000012..... | | |
| 16 | 99001-10140 | SPANNER, double head, 10×14 | 1 | 1 | 1 | 1 | 1 | | | |
| 17 | 92000-06012 | BOLT, hex., 6×12..... | 2 | - | - | 2 | 2 | | | |
| 18 | 92000-0601202 | BOLT, hex., 6×12..... | - | 2 | 2 | - | - | | | |

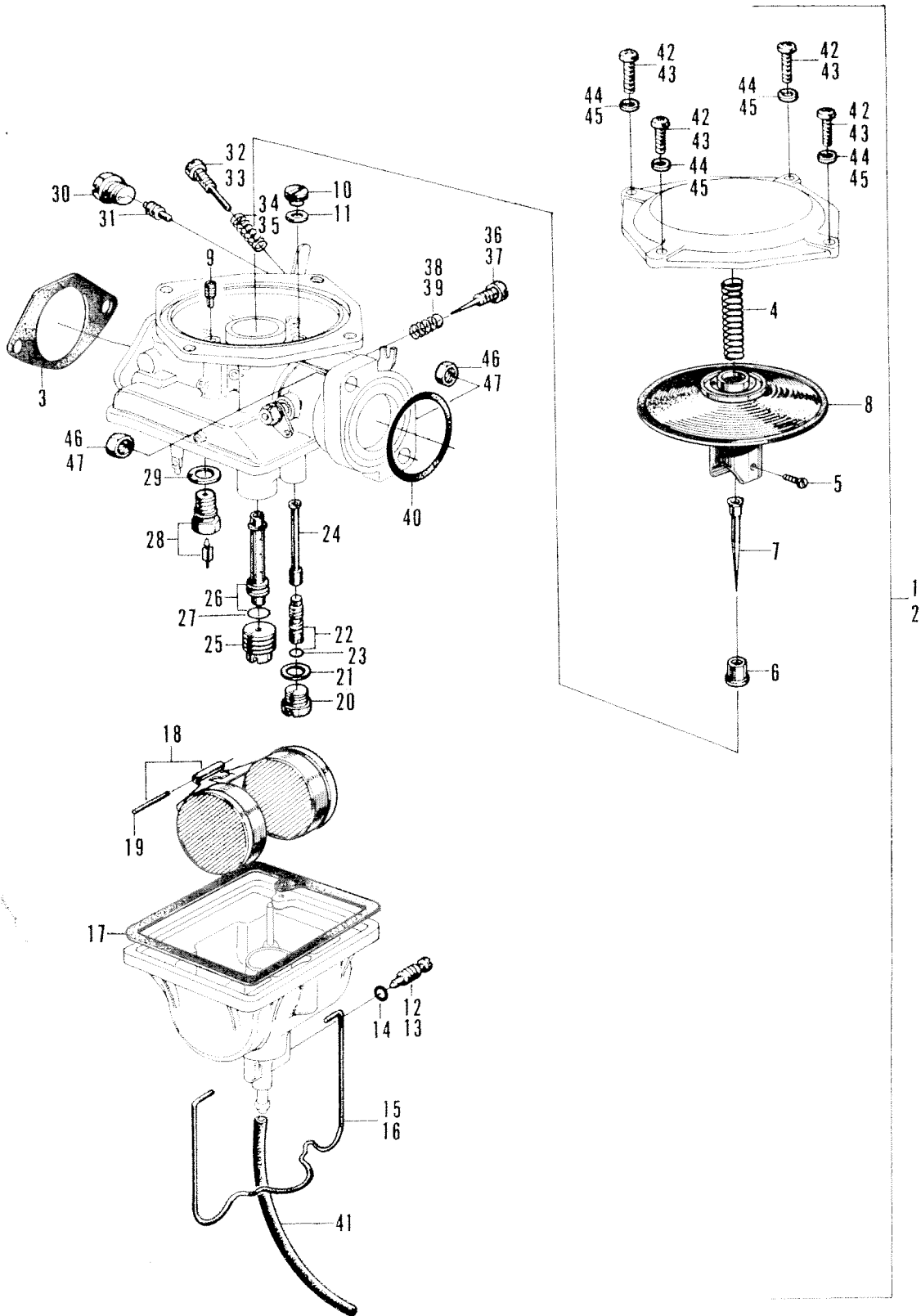
E-3 Oil Bass Air Cleaner

| Ref. No. | Part No. | Description | Reqd. No. | | No. Used on | | Remarks |
|----------|----------------|-----------------------------------|-----------|-----------|------------------|----|---------|
| | | | 640 D | 640 MD | From | To | |
| 1 | 17400-822-660C | CLEANER ASSY., oil bass air | 1 | 1 | 640-1000012..... | | |
| 2 | 17403-822-810 | PROTECTOR | 1 | 1 | 640-1000012..... | | |
| 3 | 17402-822-660 | PAN, oil | 1 | 1 | 640-1000012..... | | |
| 4 | 17401-822-810C | BODY, cleaner | 1 | 1 | 640-1000012..... | | |
| 5 | 92000-06090 | BOLT, hex., 6×90 | 2 | - | | | |
| 6 | 92000-0609002 | BOLT, hex., 6×90 | - | 2 | | | |
| 7 | 94101-06000 | WASHER, flat, 6 mm | 2 | - | | | |
| 8 | 94101-06200 | WASHER, flat, 6 mm | - | 2 | | | |
| 9 | 93500-04008 | SCREW, cross, 4×8 | 3 | - | | | |
| 10 | 93500-0400802 | SCREW, cross, 4×8 | - | 3 | | | |
| 11 | 94111-04000 | WASHER, spring, 4 mm | 3 | - | | | |
| 12 | 94111-04200 | WASHER, spring, 4 mm | - | 3 | | | |

E-3 Oil Bass Air Cleaner



E-4 Carburetor



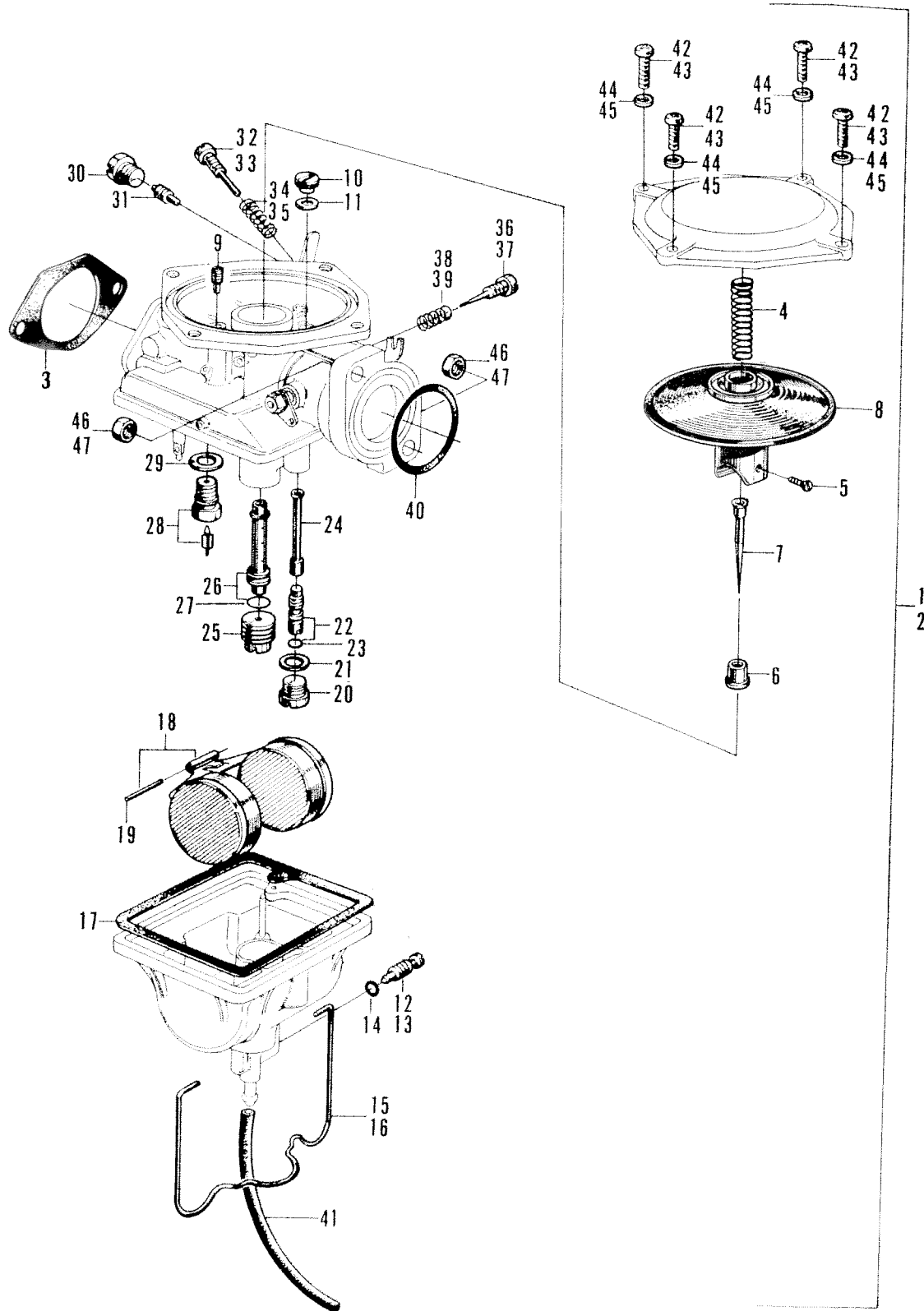
E-4 Carburetor

| Ref. No. | Part No. | Description | Reqd. No. | | | | | | | No. Used on | | Remarks |
|----------|----------------|-----------------------------|-----------|----------|----------|----------|----------|----------|------|-------------|--|---------|
| | | | G40 D | G40 M | G40 B | G40 E | G40 F | G40 W | From | To | | |
| 1 | 16100-822-000 | CARBURETOR ASSY. | 1 | - | - | 1 | 1 | 1 | 1 | 640-1000012 | | |
| 2 | 16100-822-650 | CARBURETOR ASSY. | - | 1 | 1 | - | - | - | - | 640-1000012 | | |
| 3 | 16269-822-000 | PACKING, air cleaner | 1 | 1 | 1 | 1 | 1 | 1 | 1 | 640-1000012 | | |
| 4 | 16186-822-004 | SPRING, vacuum piston | 1 | 1 | 1 | 1 | 1 | 1 | 1 | 640-1000012 | | |
| 5 | 16165-822-004 | SCREW, needle set | 1 | 1 | 1 | 1 | 1 | 1 | 1 | 640-1000012 | | |
| 6 | 16152-822-004 | HOLDER, jet needle | 1 | 1 | 1 | 1 | 1 | 1 | 1 | 640-1000012 | | |
| 7 | 16151-822-004 | NEEDLE, jet | 1 | 1 | 1 | 1 | 1 | 1 | 1 | 640-1000012 | | |
| 8 | 16141-822-004 | PISTON SET, vacuum | 1 | 1 | 1 | 1 | 1 | 1 | 1 | 640-1000012 | | |
| 9 | 99134-823-0700 | JET, air (#70) S.T.D. | 1 | 1 | 1 | 1 | 1 | 1 | 1 | 640-1000012 | | |
| 10 | 16168-823-004 | SCREW, plug | 1 | 1 | 1 | 1 | 1 | 1 | 1 | 640-1000012 | | |
| 11 | 16170-823-004 | WASHER, fiber, 3φ | 1 | 1 | 1 | 1 | 1 | 1 | 1 | 640-1000012 | | |
| 12 | 16164-701-004 | SCREW, drain | 1 | - | - | 1 | 1 | 1 | 1 | 640-1000012 | | |
| 13 | 16164-822-650 | SCREW, drain | - | 1 | 1 | - | - | - | - | 640-1000012 | | |
| 14 | 16175-260-004 | O RING, 2.8φ | 1 | 1 | 1 | 1 | 1 | 1 | 1 | 640-1000012 | | |
| 15 | 16187-822-004 | CLIP, float chamber setting | 1 | - | - | 1 | 1 | 1 | 1 | 640-1000012 | | |
| 16 | 16187-822-650 | CLIP, float chamber setting | - | 1 | 1 | - | - | - | - | 640-1000012 | | |
| 17 | 16172-822-004 | WASHER, float chamber | 1 | 1 | 1 | 1 | 1 | 1 | 1 | 640-1000012 | | |
| 18 | 16122-822-004 | FLOAT SET | 1 | 1 | 1 | 1 | 1 | 1 | 1 | 640-1000012 | | |
| 19 | 16126-823-004 | PIN, float arm | 1 | 1 | 1 | 1 | 1 | 1 | 1 | 640-1000012 | | |
| 20 | 16166-822-004 | SCREW, plug | 1 | 1 | 1 | 1 | 1 | 1 | 1 | 640-1000012 | | |
| 21 | 16174-822-004 | PACKING, fiber, 7.2φ | 1 | 1 | 1 | 1 | 1 | 1 | 1 | 640-1000012 | | |
| 22 | 16138-822-004 | HOLDER, pilot | 1 | 1 | 1 | 1 | 1 | 1 | 1 | 640-1000012 | | |
| 23 | 16177-822-004 | O-RING, 3.5φ | 1 | 1 | 1 | 1 | 1 | 1 | 1 | 640-1000012 | | |
| 24 | 99124-822-0450 | JET, pilot (#45) S.T.D. | 1 | 1 | 1 | 1 | 1 | 1 | 1 | 640-1000012 | | |
| | 99124-822-0480 | JET, pilot (#48) | 1 | 1 | 1 | 1 | 1 | 1 | 1 | 640-1000012 | | |
| 25 | 99114-822-0680 | JET, main (#68) | 1 | 1 | 1 | 1 | 1 | 1 | 1 | 640-1000012 | | |
| | 99114-822-0700 | JET, main (#70) | 1 | 1 | 1 | 1 | 1 | 1 | 1 | 640-1000012 | | |
| | 99114-822-0720 | JFT, main (#72) | 1 | 1 | 1 | 1 | 1 | 1 | 1 | 640-1000012 | | |
| | 99114-822-0750 | JET, main (#75) S.T.D. | 1 | 1 | 1 | 1 | 1 | 1 | 1 | 640-1000012 | | |

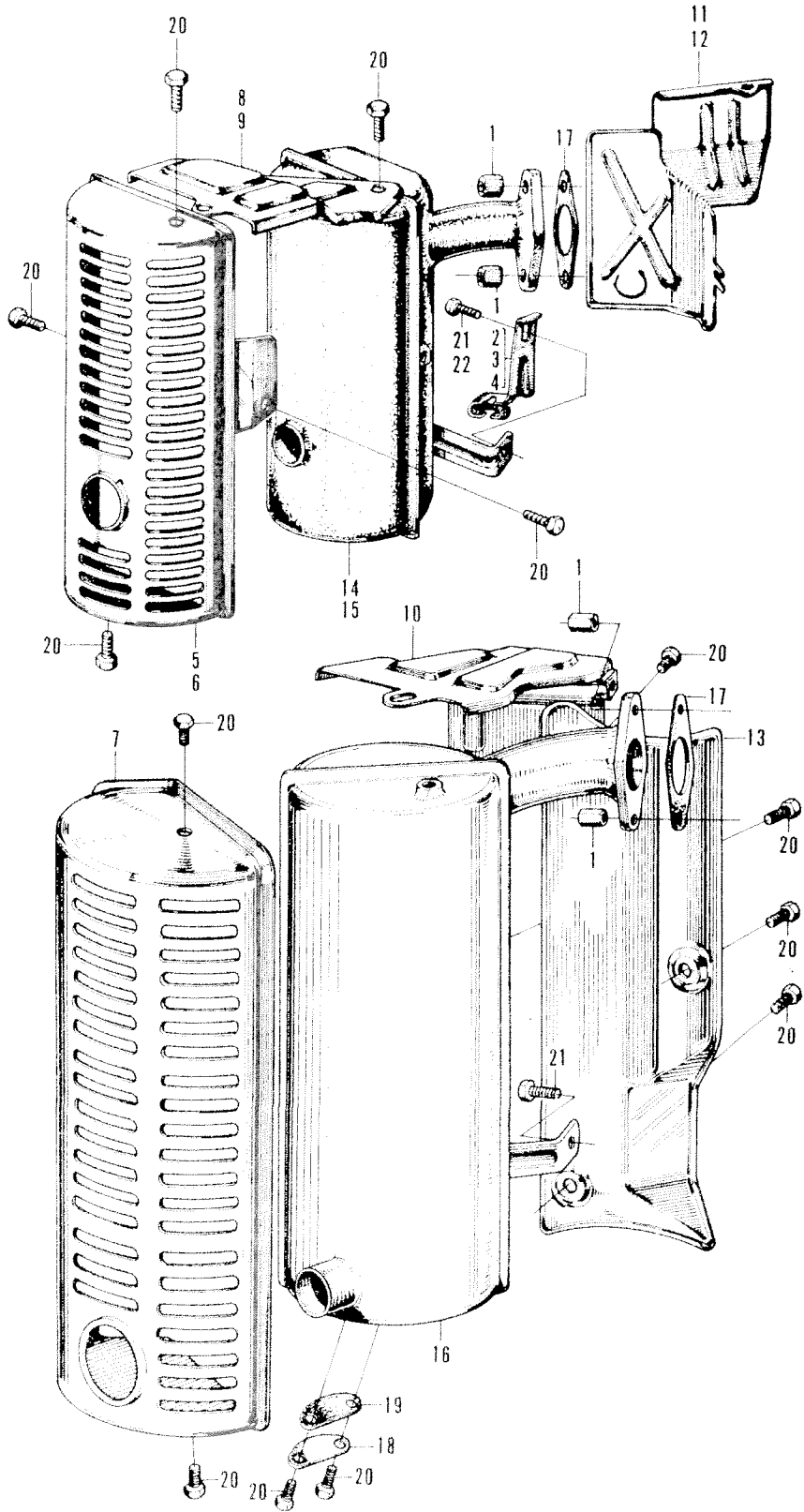
E-4 Carburetor

| Ref. No. | Part No. | Description | Reqd. No. | | | | | | No. Used on | | Remarks |
|----------|----------------|-----------------------|-----------|----------|----------|----------|----------|----------|-------------|----|---------|
| | | | G40 D | G40 M | G40 B | G40 E | G40 F | G40 W | From | To | |
| | 99114-822-0780 | JET, main (#78) | 1 | 1 | 1 | 1 | 1 | 1 | 640-1000012 | | |
| | 99114-822-0800 | JET, main (#80) | 1 | 1 | 1 | 1 | 1 | 1 | 640-1000012 | | |
| | 99114-822-0820 | JET, main (#82) | 1 | 1 | 1 | 1 | 1 | 1 | 640-1000012 | | |
| | 99114-822-0850 | JET, main (#85) | 1 | 1 | 1 | 1 | 1 | 1 | 640-1000012 | | |
| 26 | 16134-822-004 | NOZZLE, main | 1 | 1 | 1 | 1 | 1 | 1 | 640-1000012 | | |
| 27 | 16176-822-004 | O-RING, 5.7ϕ | 1 | 1 | 1 | 1 | 1 | 1 | 640-1000012 | | |
| 28 | 16125-822-004 | VALVE SET, float | 1 | 1 | 1 | 1 | 1 | 1 | 640-1000012 | | |
| 29 | 16173-822-004 | PACKING, fiber, 7.2ϕ | 1 | 1 | 1 | 1 | 1 | 1 | 640-1000012 | | |
| 30 | 16167-822-004 | SCREW, air jet plug | 1 | 1 | 1 | 1 | 1 | 1 | 640-1000012 | | |
| 31 | 16169-822-004 | SCREW, pilot stop | 1 | 1 | 1 | 1 | 1 | 1 | 640-1000012 | | |
| 32 | 16163-809-004 | SCREW, throttle stop | 1 | - | - | 1 | 1 | 1 | 640-1000012 | | |
| 33 | 16163-810-004 | SCREW, throttle stop | - | 1 | 1 | - | - | - | 640-1000012 | | |
| 34 | 16182-809-004 | SPRING, throttle stop | 1 | - | - | 1 | 1 | 1 | 640-1000012 | | |
| 35 | 16182-810-004 | SPRING, throttle stop | - | 1 | 1 | - | - | - | 640-1000012 | | |
| 36 | 16161-809-004 | SCREW, pilot | 1 | - | - | 1 | 1 | 1 | 640-1000012 | | |
| 37 | 16161-810-004 | SCREW, pilot | - | 1 | 1 | - | - | - | 640-1000012 | | |
| 38 | 16181-809-004 | SPRING, air screw | 1 | - | - | 1 | 1 | 1 | 640-1000012 | | |
| 39 | 16181-810-004 | SPRING, air screw | - | 1 | 1 | - | - | - | 640-1000012 | | |
| 40 | 16173-260-004 | O-RING, 29ϕ | 1 | 1 | 1 | 1 | 1 | 1 | 640-1000012 | | |
| 41 | 16235-805-000 | PIPE, over flow | 1 | 1 | 1 | 1 | 1 | 1 | 640-1000012 | | |
| 42 | 93500-05012 | SCREW, cross, 5×12 | 4 | - | - | 4 | 4 | 4 | | | |
| 43 | 93500-0501202 | SCREW, cross, 5×12 | - | 4 | 4 | - | - | - | | | |
| 44 | 94111-05000 | WASHER, spring, 5 mm | 4 | - | - | 4 | 4 | 4 | | | |
| 45 | 94111-05200 | WASHER, spring, 5 mm | - | 4 | 4 | - | - | - | | | |
| 46 | 94001-06000 | NUT, hex., 6 mm | 2 | - | - | 2 | 2 | 2 | | | |
| 47 | 94001-06020 | NUT, hex., 6 mm | - | 2 | 2 | - | - | - | | | |

E-4 Carburetor



E-5 Muffler



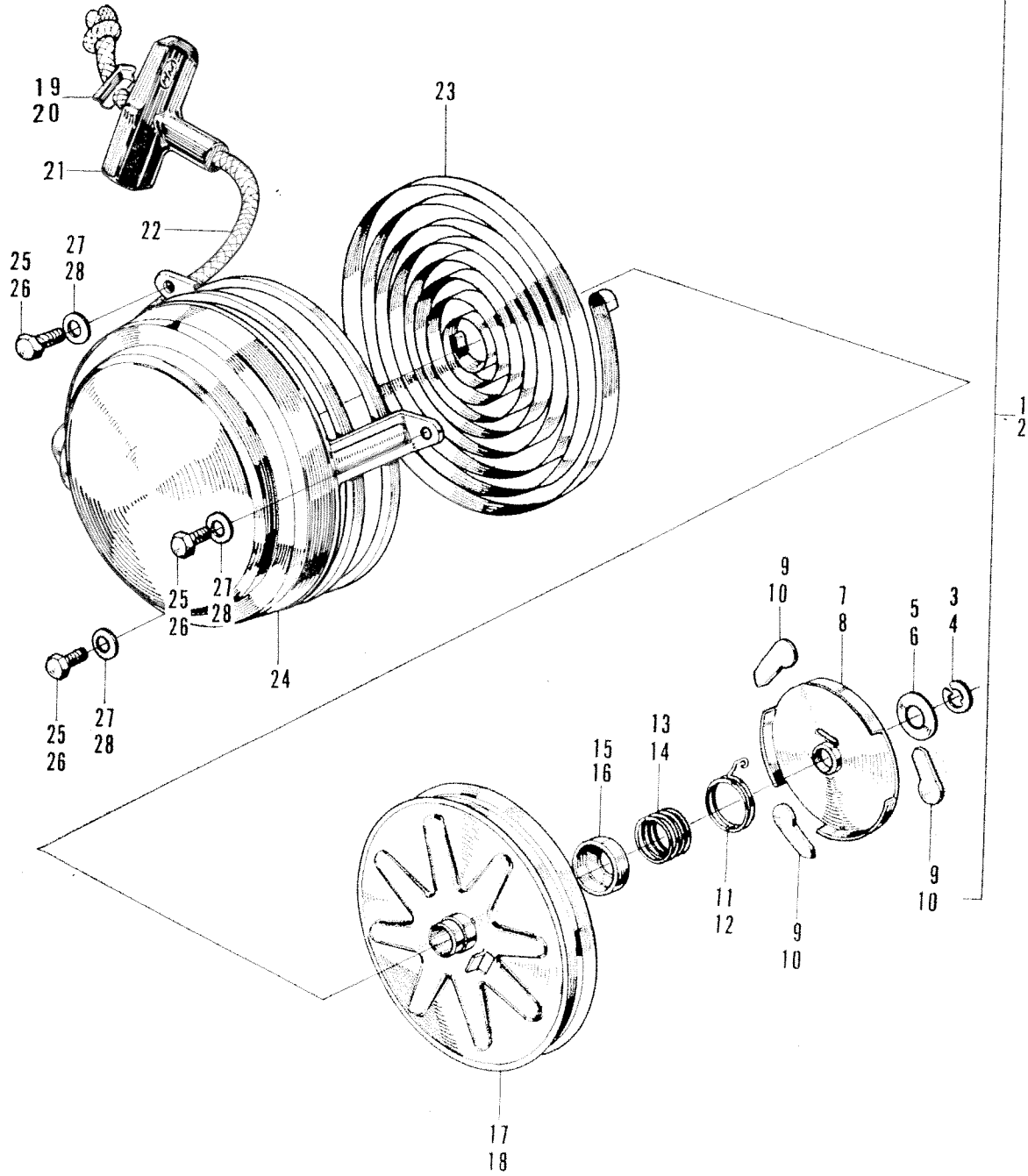
E-5 Muffler

| Ref. No. | Part No. | Description | Reqd. No. | | | | | | No. Used on | | Remarks |
|----------|---------------|-------------------------|-----------|-----------|-----------|-----------|-----------|-----------|-------------|----|---------|
| | | | G40 D | G40 MD | G40 BD | G40 ED | G40 FD | G40 WD | From | To | |
| 1 | 90381-703-000 | NUT, hex., 6ϕ | 2 | 2 | 2 | 2 | 2 | 2 | G40-1000012 | | |
| 2 | 16591-805-000 | HOLDER, throttle wire | 1 | - | - | 1 | - | 1 | G40-1000012 | | |
| 3 | 16591-806-000 | HOLDER, throttle wire | - | 1 | 1 | - | - | - | G40-1000012 | | |
| 4 | 16591-805-820 | HOLDER, throttle wire | - | - | - | - | 1 | - | G40-1000012 | | |
| 5 | 18361-822-020 | PROTECTOR, muffler | 1 | 1 | - | - | 1 | 1 | G40-1000012 | | |
| 6 | 18361-908-000 | PROTECTOR, muffler | - | - | 1 | - | - | - | G40-1000012 | | |
| 7 | 18361-805-640 | PROTECTOR, muffler | - | - | - | 1 | - | - | G40-1000012 | | |
| 8 | 18365-822-020 | COVER, exhaust pipe | 1 | - | - | - | 1 | 1 | G40-1000012 | | |
| 9 | 18365-822-650 | COVER, exhaust pipe | - | 1 | 1 | - | - | - | G40-1000012 | | |
| 10 | 18365-815-010 | COVER, exhaust pipe | - | - | - | 1 | - | - | G40-1000012 | | |
| 11 | 18363-822-010 | PLATE, muffler separate | 1 | - | - | - | 1 | 1 | G40-1000012 | | |
| 12 | 18363-822-651 | PLATE, muffler separate | - | 1 | 1 | - | - | - | G40-1000012 | | |
| 13 | 18363-805-640 | PLATE, muffler separate | - | - | - | 1 | - | - | G40-1000012 | | |
| 14 | 18300-822-020 | MUFFLER | 1 | 1 | - | - | 1 | 1 | G40-1000012 | | |
| 15 | 18300-908-000 | MUFFLER | - | - | 1 | - | - | - | G40-1000012 | | |
| 16 | 18300-815-010 | MUFFLER | - | - | - | 1 | - | - | G40-1000012 | | |
| 17 | 18351-822-000 | PACKING, muffler | 1 | 1 | 1 | 1 | 1 | 1 | G40-1000012 | | |
| 18 | 18371-815-000 | LID, muffler | - | - | - | 1 | - | - | G40-1000012 | | |
| 19 | 18372-815-000 | PACKING, muffler lid | - | - | - | 1 | - | - | G40-1000012 | | |
| 20 | 92000-0600802 | BOLT, hex., 6×8 | 5 | 5 | 5 | 7 | 5 | 5 | | | |
| 21 | 92000-06016 | BOLT, hex., 6×16 | 1 | - | - | 1 | 1 | 1 | | | |
| 22 | 92000-0601602 | BOLT, hex., 6×16 | - | 1 | 1 | - | - | - | | | |

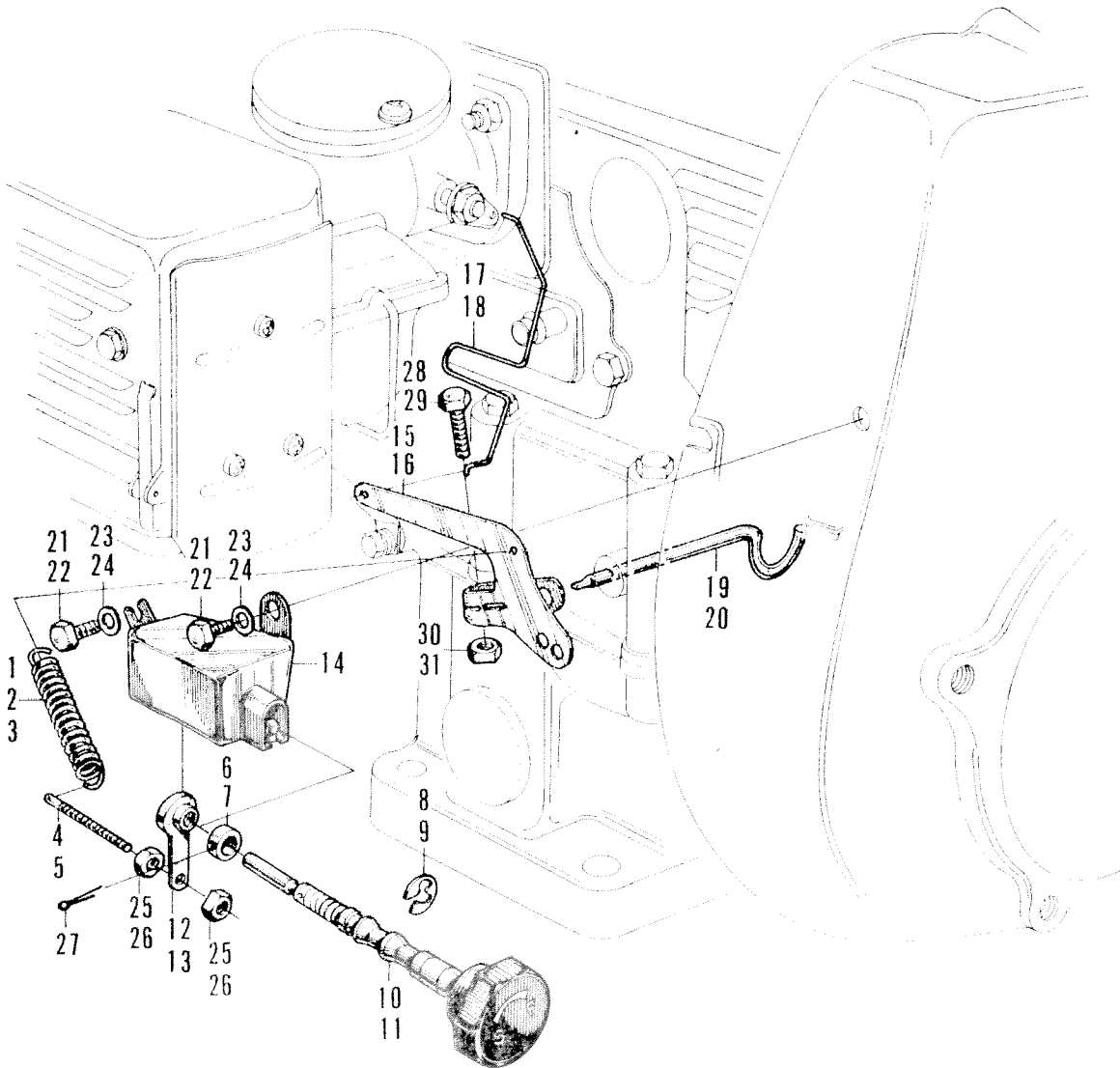
E-6 Recoil Starter

| Ref. No. | Part No. | Description | Reqd. No. | | | | | | No. Used on | | Remarks |
|----------|----------------|------------------------|-----------|----------|----------|----------|----------|----------|-------------|----|---------|
| | | | 640 D | 640 M | 640 B | 640 E | 640 F | 640 W | From | To | |
| 1 | 28400-822-810C | STARTER ASSY., recoil | 1 | - | - | 1 | 1 | 1 | 640-1000012 | | |
| 2 | 28400-822-650C | STARTER ASSY., recoil | - | 1 | 1 | - | - | - | 640-1000012 | | |
| 3 | 28423-809-810 | E-RING | 1 | - | - | 1 | 1 | 1 | 640-1000012 | | |
| 4 | 28423-810-810 | E-RING | - | 1 | 1 | - | - | - | 640-1000012 | | |
| 5 | 90482-809-810 | WASHER B | 1 | - | - | 1 | 1 | 1 | 640-1000012 | | |
| 6 | 90482-822-650 | WASHER B | - | 1 | 1 | - | - | - | 640-1000012 | | |
| 7 | 28445-809-810 | PLATE, friction | 1 | - | - | 1 | 1 | 1 | 640-1000012 | | |
| 8 | 28445-822-650 | PLATE, friction | - | 1 | 1 | - | - | - | 640-1000012 | | |
| 9 | 28441-809-810 | RATCHET, starter | 3 | - | - | 3 | 3 | 3 | 640-1000012 | | |
| 10 | 28441-822-650 | RATCHET, starter | - | 3 | 3 | - | - | - | 640-1000012 | | |
| 11 | 28455-822-810 | SPRING, set | 1 | - | - | 1 | 1 | 1 | 640-1000012 | | |
| 12 | 28455-822-650 | SPRING, set | - | 1 | 1 | - | - | - | 640-1000012 | | |
| 13 | 28446-809-810 | SPRING, friction | 1 | - | - | 1 | 1 | 1 | 640-1000012 | | |
| 14 | 28446-822-650 | SPRING, friction | - | 1 | 1 | - | - | - | 640-1000012 | | |
| 15 | 90481-809-810 | WASHER A | 1 | - | - | 1 | 1 | 1 | 640-1000012 | | |
| 16 | 90481-822-650 | WASHER A | - | 1 | 1 | - | - | - | 640-1000012 | | |
| 17 | 28420-809-810 | PULLEY, recoil starter | 1 | - | - | 1 | 1 | 1 | 640-1000012 | | |
| 18 | 28420-822-650 | PULLEY, recoil starter | - | 1 | 1 | - | - | - | 640-1000012 | | |
| 19 | 28465-809-810 | STOPPER, rope | 1 | - | - | 1 | 1 | 1 | 640-1000012 | | |
| 20 | 28465-822-650 | STOPPER, rope | - | 1 | 1 | - | - | - | 640-1000012 | | |
| 21 | 28461-805-810 | KNOB, starter | 1 | 1 | 1 | 1 | 1 | 1 | 640-1000012 | | |
| 22 | 28471-809-810 | ROPE, recoil starter | 1 | 1 | 1 | 1 | 1 | 1 | 640-1000012 | | |
| 23 | 28451-809-810 | SPRING, starter return | 1 | 1 | 1 | 1 | 1 | 1 | 640-1000012 | | |
| 24 | 28410-822-810C | CASE, starter | 1 | 1 | 1 | 1 | 1 | 1 | 640-1000012 | | |
| 25 | 92000-06012 | BOLT, hex., 6x12 | 2 | - | - | 2 | 2 | 2 | | | |
| 26 | 92000-0601202 | BOLT, hex., 6x12 | - | 2 | 2 | - | - | - | | | |
| 27 | 94101-06000 | WASHER, flat, 6 mm | 3 | - | - | 3 | 3 | 3 | | | |
| 28 | 94101-06020 | WASHER, flat, 6 mm | - | 3 | 3 | - | - | - | | | |

E-6 Recoil Starter



E-7 Governor Control



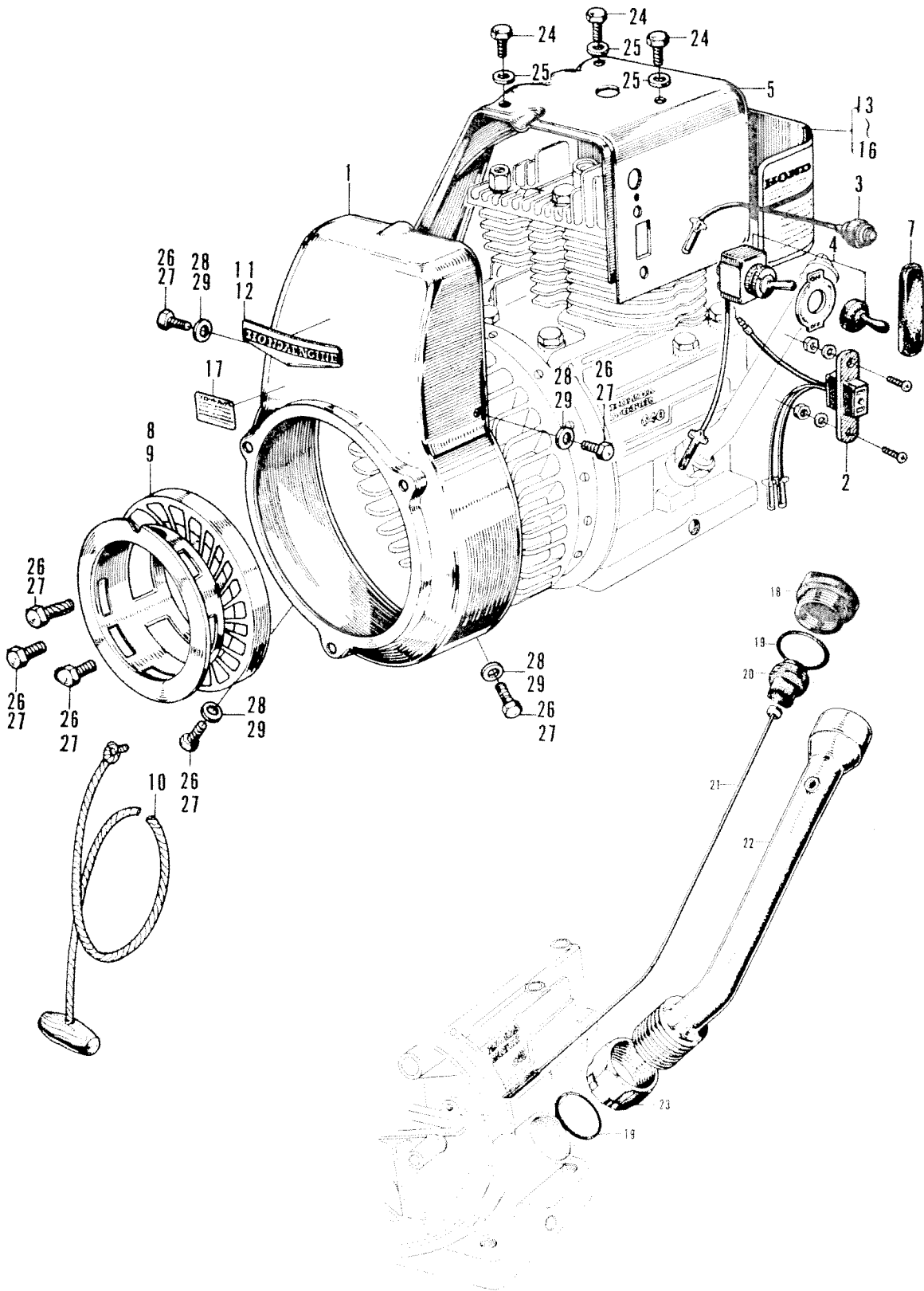
E-7 Governor Control

| Ref. No. | Part No. | Description | Reqd. No. | | | | | | No. Used on | | Remark |
|----------|----------------|---------------------------|-----------|----------|----------|----------|----------|----------|-------------|-------------|--------|
| | | | G40 D | G40 M | G40 B | G40 E | G40 F | G40 W | From | To | |
| 1 | 16551-805-000 | SPRING, governor | 1 | - | - | 1 | 1 | - | - | G40-1000012 | |
| 2 | 16551-806-000 | SPRING, governor | - | 1 | 1 | - | - | - | - | G40-1000012 | |
| 3 | 16551-822-730 | SPRING, governor | - | - | - | - | - | 1 | - | G40-1000012 | |
| 4 | 16564-822-000 | BOLT, spring adjusting | 1 | - | - | 1 | - | 1 | - | G40-1000012 | |
| 5 | 16564-822-650 | BOLT, spring adjusting | - | 1 | - | - | - | - | - | G40-1000012 | |
| 6 | 16566-822-000 | NUT, control stopper | 1 | - | - | 1 | - | 1 | - | G40-1000012 | |
| 7 | 16566-822-650 | NUT, control stopper | - | 1 | - | - | - | - | - | G40-1000012 | |
| 8 | 90601-822-000 | CLIP, 6 mm | 1 | - | - | 1 | - | 1 | - | G40-1000012 | |
| 9 | 90601-822-650 | CLIP, 6 mm | - | 1 | - | - | - | - | - | G40-1000012 | |
| 10 | 16561-822-010 | SCREW, governor adjusting | 1 | - | - | 1 | - | 1 | - | G40-1000012 | |
| 11 | 16561-822-650 | SCREW, governor adjusting | - | 1 | - | - | - | - | - | G40-1000012 | |
| 12 | 16560-822-000 | PLATE, governor adjusting | 1 | - | - | 1 | - | 1 | - | G40-1000012 | |
| 13 | 16560-822-650 | PLATE, governor adjusting | - | 1 | - | - | - | - | - | G40-1000012 | |
| 14 | 16562-822-010C | CASE, control | 1 | 1 | - | 1 | - | 1 | - | G40-1000012 | |
| 15 | 16541-822-000 | ARM, governor | 1 | - | - | 1 | 1 | 1 | - | G40-1000012 | |
| 16 | 16541-822-650 | ARM, governor | - | 1 | 1 | - | - | - | - | G40-1000012 | |
| 17 | 16545-822-000 | ROD, governor | 1 | - | - | 1 | 1 | 1 | - | G40-1000012 | |
| 18 | 16545-822-650 | ROD, governor | - | 1 | 1 | - | - | - | - | G40-1000012 | |
| 19 | 16535-822-010 | SHAFT, governor arm | 1 | - | - | 1 | 1 | 1 | - | G40-1000012 | |
| 20 | 16535-822-650 | SHAFT, governor arm | - | 1 | 1 | - | - | - | - | G40-1000012 | |
| 21 | 92000-06012 | BOLT, hex., 6x12 | 2 | - | - | 2 | - | 2 | - | | |
| 22 | 92000-0601202 | BOLT, hex., 6x12 | - | 2 | - | - | - | - | - | | |
| 23 | 94101-06000 | WASHER, flat, 6 mm | 2 | - | - | 2 | - | 2 | - | | |
| 24 | 94101-06200 | WASHER, flat, 6 mm | - | 2 | - | - | - | - | - | | |
| 25 | 94002-04000 | NUT, hex., 4 mm | 2 | - | - | 2 | - | 2 | - | | |
| 26 | 94002-04020 | NUT, hex., 4 mm | - | 2 | - | - | - | - | - | | |
| 27 | 94201-16120 | PIN, cotter, 1.6 mm | 1 | 1 | - | 1 | - | 1 | - | | |
| 28 | 92000-06016 | BOLT, hex., 6x16 | 1 | - | - | 1 | 1 | 1 | - | | |
| 29 | 92000-0601602 | BOLT, hex., 6x16 | - | 1 | 1 | - | - | - | - | | |
| 30 | 94001-06000 | NUT, hex., 6 mm | 1 | - | - | 1 | 1 | 1 | - | | |
| 31 | 94001-06020 | NUT, hex., 6 mm | - | 1 | 1 | - | - | - | - | | |

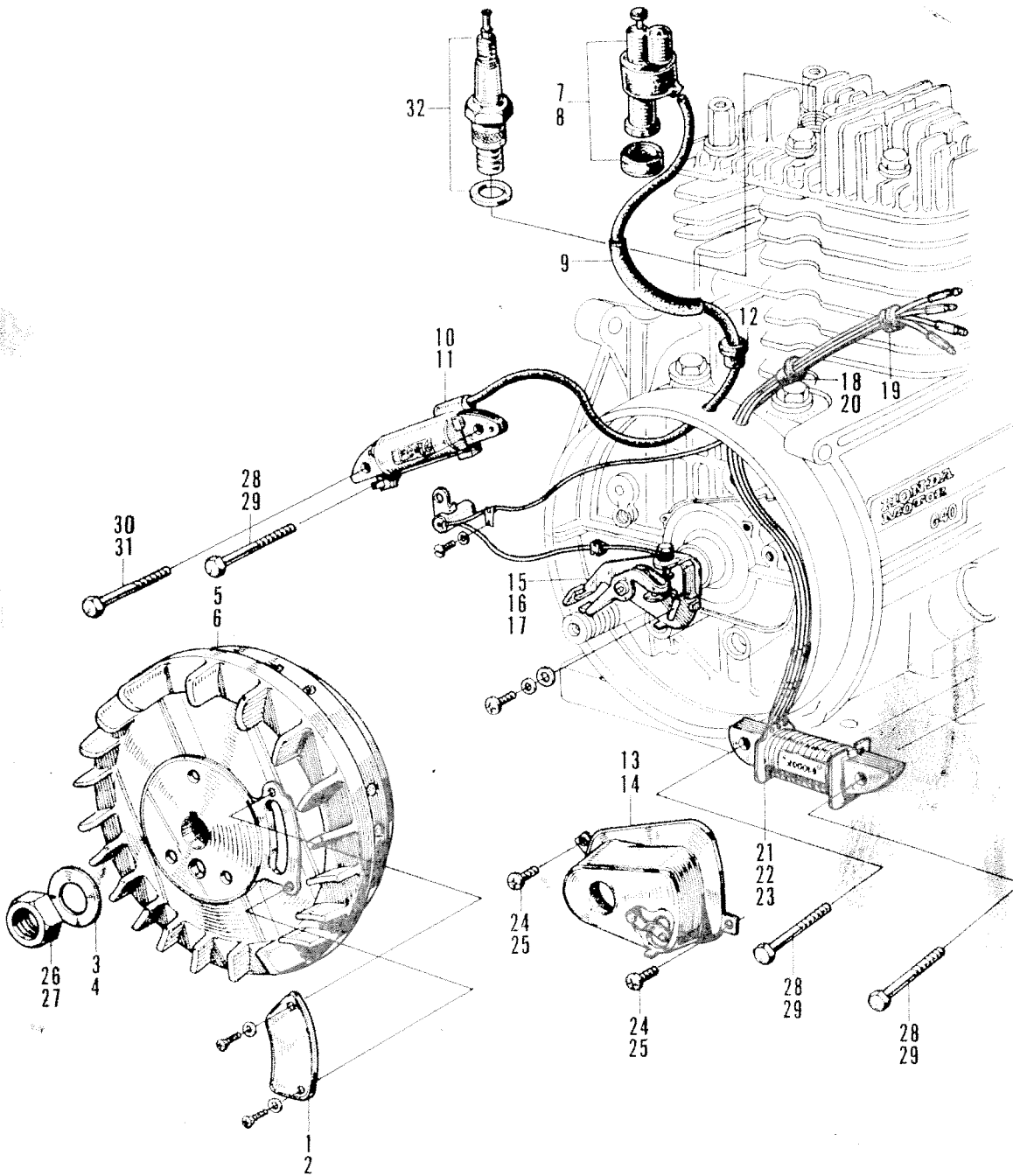
E-8 Cover · Oil Level Gauge

| Ref. No. | Part No. | Description | Reqd. No. | | | | | | No. Used on | | Remarks |
|----------|----------------|---|-----------|----------|----------|----------|----------|----------|-------------|----|---------|
| | | | G40 D | G40 M | G40 B | G40 E | G40 F | G40 W | From | To | |
| 1 | 19600-822-010C | COVER, fan | 1 | 1 | 1 | 1 | 1 | 1 | 640-1000012 | | |
| 2 | 32300-808-610 | CONSENT ASSY. (Used on general type) | - | - | - | - | 1 | - | 640-1000012 | | |
| 3 | 36100-809-010 | SWITCH ASSY., engine stop | - | - | - | - | 1 | - | 640-1000012 | | |
| 4 | 36100-811-000 | SWITCH ASSY., engine | 1 | 1 | 1 | - | - | 1 | 640-1000012 | | |
| 5 | 19611-822-000C | COVER, side | 1 | 1 | 1 | 1 | 1 | 1 | 640-1000012 | | |
| 6 | 19901-807-000 | DEFENDER, side cover | 1 | 1 | 1 | - | - | 1 | 640-1000012 | | |
| 7 | 19901-805-000 | DEFENDER, side cover | - | - | - | 1 | - | - | 640-1000012 | | |
| 8 | 28430-822-010 | PULLEY, starter ratchet | 1 | - | - | 1 | 1 | 1 | 640-1000012 | | |
| 9 | 28430-822-650 | PULLEY, starter ratchet | - | 1 | 1 | - | - | - | 640-1000012 | | |
| 10 | 28470-805-000 | ROPE, starter | 1 | 1 | 1 | 1 | 1 | 1 | 640-1000012 | | |
| 11 | 87101-805-000 | MARK, top | 1 | 1 | 1 | 1 | 1 | 1 | 640-1000012 | | |
| 12 | 87101-807-810 | MARK, top (Used on France) | - | - | - | - | 1 | - | 640-1000012 | | |
| 13 | 87521-822-660 | PLATE, description | 1 | 1 | - | - | 1 | - | 640-1000012 | | |
| 14 | 87521-709-000 | PLATE, description (Used on France) | - | - | - | - | 1 | - | 640-1000012 | | |
| 15 | 87521-908-000 | PLATE, description | - | - | 1 | - | - | 1 | 640-1000012 | | |
| 16 | 87521-815-010 | PLATE, description | - | - | - | 1 | - | - | 640-1000012 | | |
| 17 | 87531-822-660 | MARK, throttle | 1 | 1 | - | 1 | - | 1 | 640-1000012 | | |
| 18 | 15611-805-010 | CAP, oil | - | - | - | 1 | - | - | 640-1000012 | | |
| 19 | 91301-805-000 | O-RING, 26×2.7 | - | - | - | 2 | - | - | 640-1000012 | | |
| 20 | 15663-815-000 | STOPPER, oil level gauge | - | - | - | 1 | - | - | 640-1000012 | | |
| 21 | 15652-815-000 | GAUGE, oil level | - | - | - | 1 | - | - | 640-1000012 | | |
| 22 | 15630-815-030 | PIPE, oil | - | - | - | 1 | - | - | 640-1000012 | | |
| 23 | 15668-815-000 | NUT, joint | - | - | - | 1 | - | - | 640-1000012 | | |
| 24 | 92000-08016 | NUT, hex., 8×16 | - | - | - | 3 | - | - | | | |
| 25 | 94101-08000 | WASHER, flat, 8 mm | - | - | - | 3 | - | - | | | |
| 26 | 92000-06012 | BOLT, hex., 6×12 | 8 | - | - | 8 | 8 | 8 | | | |
| 27 | 92000-0601202 | BOLT, hex., 6×12 | - | 8 | 8 | - | - | - | | | |
| 28 | 94101-06000 | WASHER, flat, 6 mm | 5 | - | - | 5 | 5 | 5 | | | |
| 29 | 94101-06200 | WASHER, flat, 6 mm | - | 5 | 5 | - | - | - | | | |

E-8 Cover · Oil Level Gauge



E-9 Magneto



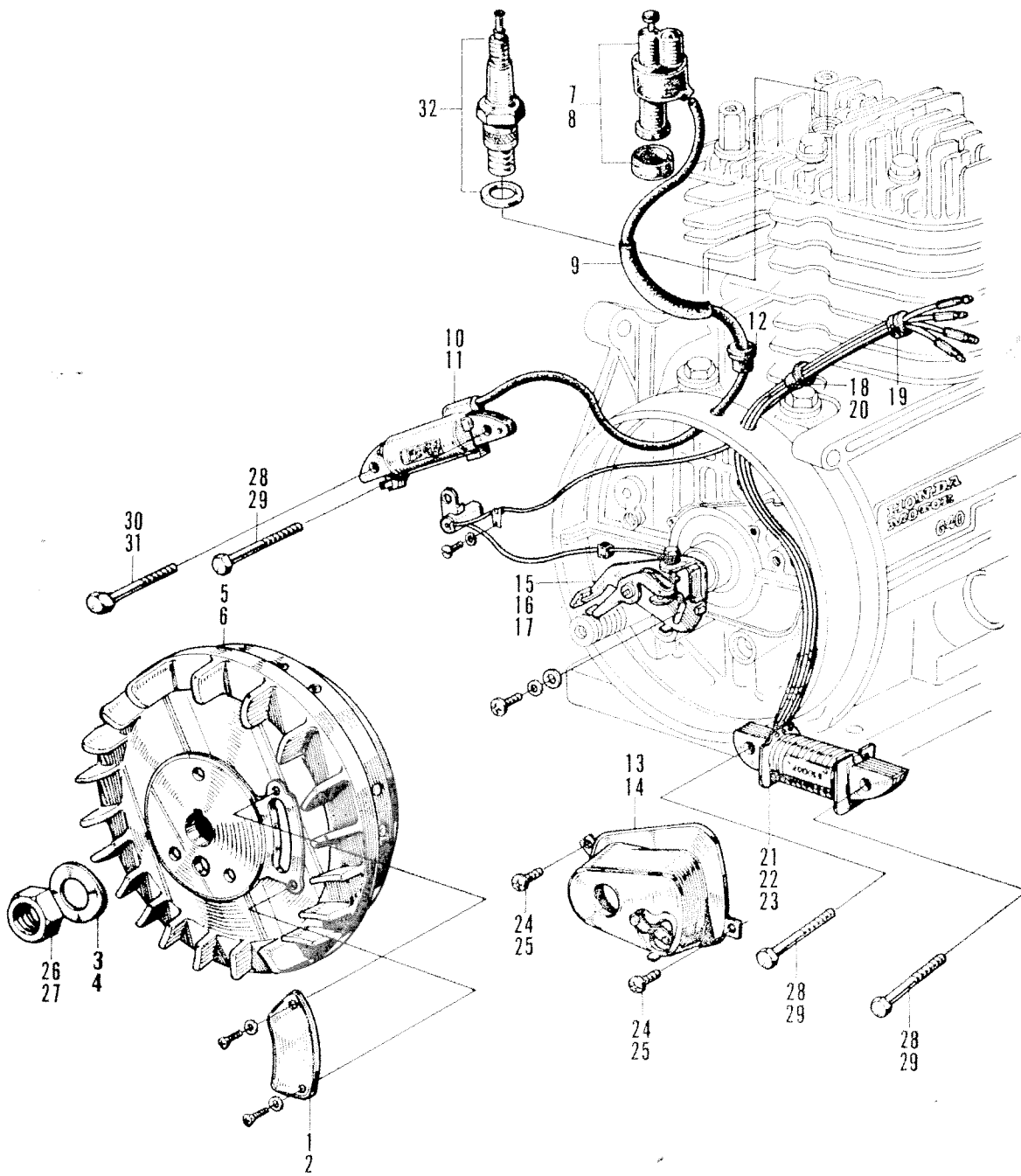
E-9 Magneto

| Ref. No. | Part No. | Description | Reqd. No. | | | | | | No. Used on | | Remarks |
|----------|---------------|--|-----------|----------|----------|----------|----------|----------|-------------|-------------|---------|
| | | | 640 D | 640 M | 640 B | 640 E | 640 F | 640 W | From | To | |
| 1 | 31125-822-000 | COVER, fly wheel window | 1 | - | - | 1 | 1 | 1 | 640-1000012 | | |
| 2 | 31125-822-650 | COVER, fly wheel window | - | 1 | 1 | - | - | - | 640-1000012 | | |
| 3 | 90408-822-000 | WASHER, 12 mm | 1 | - | - | 1 | 1 | 1 | 640-1000012 | 640-1012004 | |
| | 90408-822-000 | WASHER, 14 mm | 1 | - | - | 1 | 1 | 1 | 640-1012005 | | |
| 4 | 90408-822-650 | WASHER, 12 mm | - | 1 | 1 | - | - | - | 640-1000012 | 640-1012004 | |
| | 90408-822-651 | WASHER, 14 mm | - | 1 | 1 | - | - | - | 640-1012005 | | |
| 5 | 31121-822-020 | MAGNETO, fly wheel | 1 | - | - | 1 | 1 | 1 | 640-1000012 | 640-1012004 | |
| | | (Superseded by 31121-822-030 with 13311-822-020, 90408-822-010, 94002-14000 and 90743-822-010) | | | | | | | | | |
| | 31121-822-030 | MAGNETO, fly wheel | 1 | - | - | 1 | 1 | 1 | 640-1012005 | | |
| 6 | 31121-822-650 | MAGNETO, fly wheel | - | 1 | 1 | - | - | - | 640-1000012 | 640-1012004 | |
| | | (Superseded by 31121-822-651 with 13311-822-020, 90408-822-651, 94002-14020 and 90743-822-010) | | | | | | | | | |
| | 31121-822-651 | MAGNETO, fly wheel | - | 1 | 1 | - | - | - | 640-1012005 | | |
| 7 | 30600-822-000 | TERMINAL ASSY., high tension | 1 | 1 | 1 | - | 1 | 1 | 640-1000012 | | |
| 8 | 30600-815-000 | TERMINAL ASSY., high tension | - | - | - | 1 | - | - | 640-1000012 | | |
| 9 | 30565-822-000 | TUBE, high tension rubber | 1 | 1 | 1 | 1 | 1 | 1 | 640-1000012 | | |
| 10 | 30560-822-000 | COIL, high tension | 1 | - | - | 1 | 1 | 1 | 640-1000012 | | |
| 11 | 30560-822-650 | COIL, high tension | - | 1 | 1 | - | - | - | 640-1000012 | | |
| 12 | 32951-703-000 | GROMMET, cord | 1 | 1 | 1 | 1 | 1 | 1 | 640-1000012 | | |
| 13 | 30210-822-000 | COVER, point | 1 | - | - | 1 | 1 | 1 | 640-1000012 | | |
| 14 | 30210-822-650 | COVER, point | - | 1 | 1 | - | - | - | 640-1000012 | | |
| 15 | 30230-822-010 | CONDENCER ASSY., breaker | 1 | - | - | - | 1 | 1 | 640-1000012 | | |
| 16 | 30280-822-650 | CONDENCER ASSY., breaker | - | 1 | 1 | - | - | - | 640-1000012 | | |
| 17 | 30280-815-013 | CONDENCER ASSY., breaker | - | - | - | 1 | - | - | 640-1000012 | | |
| 18 | 32952-805-020 | GROMMET, cord | 1 | 1 | 1 | - | 1 | 1 | 640-1000012 | | |
| 19 | 36151-805-641 | GROMMET A, cord | - | - | - | 1 | - | - | 640-1000012 | | |
| 20 | 36152-805-640 | GROMMET B, cord | - | - | - | 1 | - | - | 640-1000012 | | |

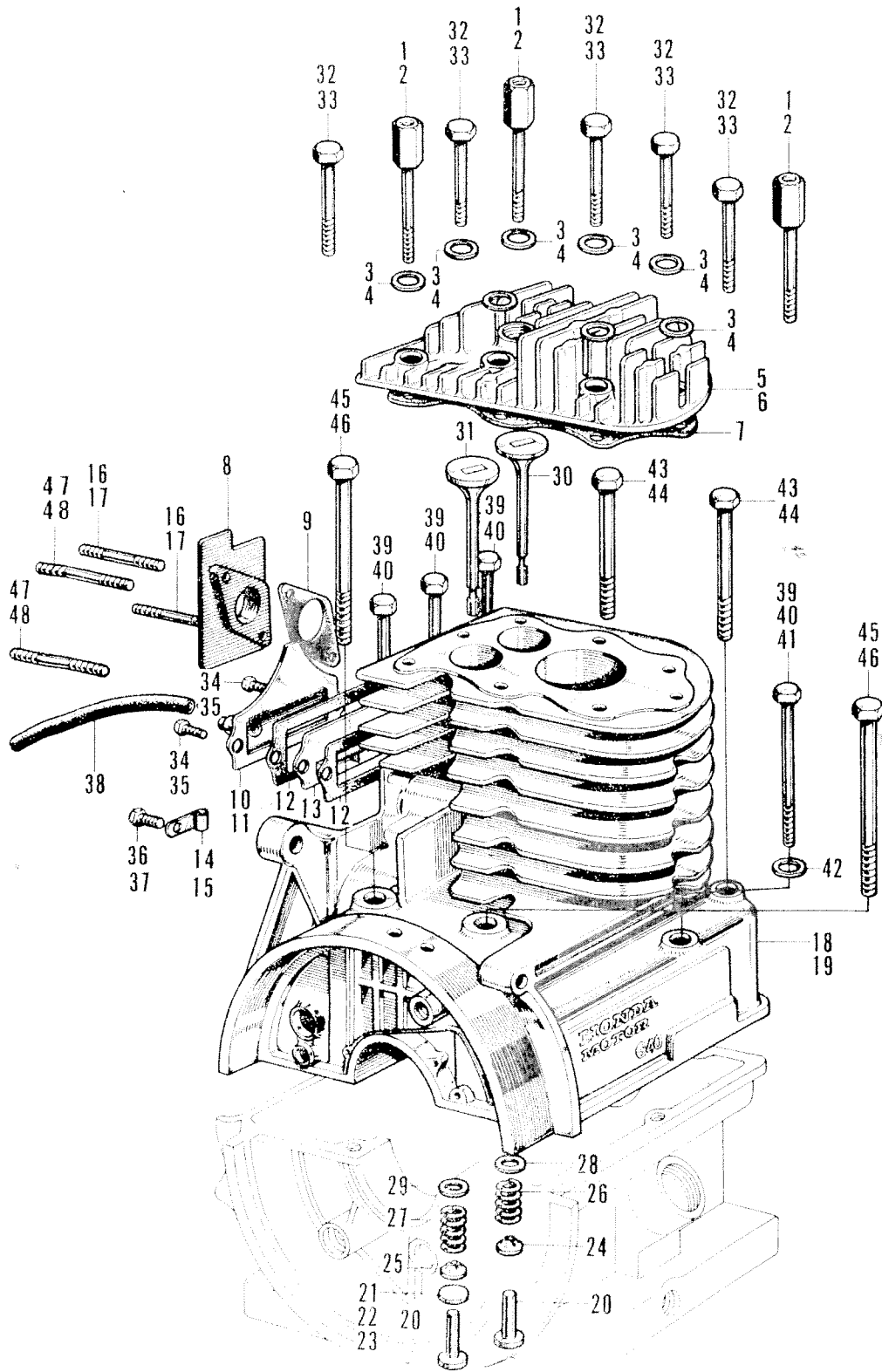
E-9 Magneto

| Ref. No. | Part No. | Description | Reqd. No. | | | | | | No. Used on | | Remarks |
|----------|---------------|---|-----------|----------|----------|----------|----------|----------|-------------|----|---------|
| | | | 640 D | 640 M | 640 B | 640 E | 640 F | 640 W | From | To | |
| 21 | 31521-815-169 | COIL, exciter | - | - | - | 1 | - | - | 640-1000012 | | |
| 22 | 31521-805-642 | COIL, exciter | - | - | - | 1 | - | - | 640-1000012 | | |
| 23 | 31511-822-810 | COIL, lamp, 6V (Used on general type) | - | - | - | 1 | - | - | 640-1000012 | | |
| 24 | 93500-05010 | SCREW, cross, 5×10 | 2 | - | - | 2 | 2 | 2 | | | |
| 25 | 93500-0501002 | SCREW, cross, 5×10 | - | 2 | 2 | - | - | - | | | |
| 26 | 94001-12000 | NUT, hex., 12 mm | 2 | - | - | 2 | 2 | 2 | 640-1012004 | | |
| | 94002-14000 | NUT, hex., 14 mm | 2 | - | - | 2 | 2 | 2 | 640-1012005 | | |
| 27 | 94001-12020 | NUT, hex., 12 mm | - | 2 | 2 | - | - | - | 640-1012004 | | |
| | 94002-14020 | NUT, hex., 14 mm | - | 2 | 2 | - | - | - | 640-1012005 | | |
| 28 | 92000-06028 | BOLT, hex., 6×28 | 3 | - | - | 3 | 3 | 3 | | | |
| 29 | 92000-0602802 | BOLT, hex., 6×28 | - | 3 | 3 | - | - | - | | | |
| 30 | 92000-06036 | BOLT, hex., 6×36 | 1 | - | - | 1 | 1 | 1 | | | |
| 31 | 92000-0603602 | BOLT, hex., 6×36 | - | 1 | 1 | - | - | - | | | |
| 32 | 98076-56710 | PLUG, sparking (B-6H) | 1 | 1 | 1 | 1 | 1 | 1 | | | |

E-9 Magneto



E-10 Cylinder



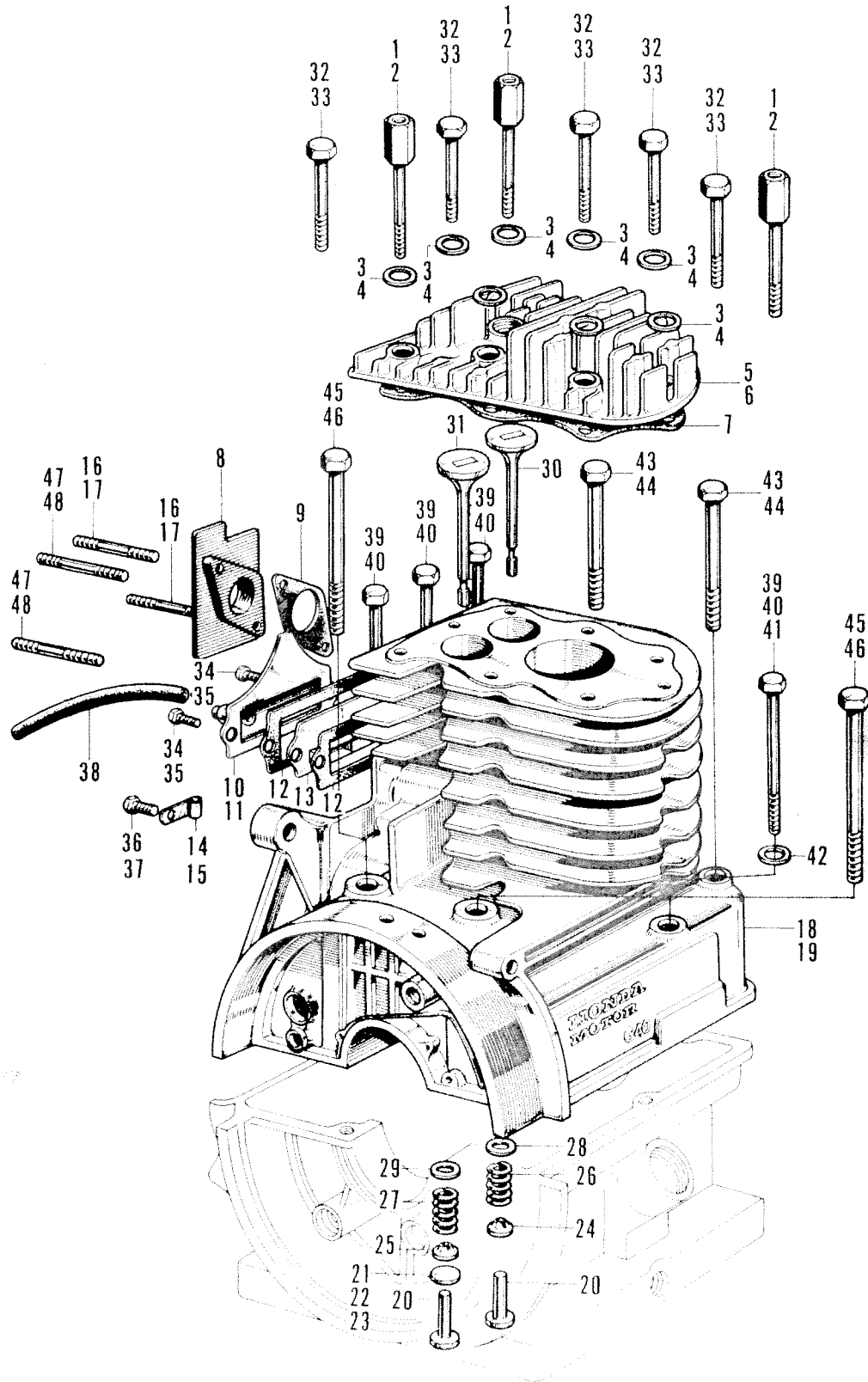
E-10 Cylinder

| Ref. No. | Part No. | Description | Reqd. No. | | | | | | No. Used on | | Remarks |
|----------|---------------|---------------------------------------|-----------|----------|----------|----------|----------|----------|-------------|----|---------|
| | | | 640 D | 640 M | 640 B | 640 E | 640 F | 640 W | From | To | |
| 1 | 90001-822-000 | BOLT, cylinder head clamp | 3 | - | - | 3 | 3 | 3 | 640-1000012 | | |
| 2 | 90001-822-650 | BOLT, cylinder head clamp | - | 3 | 3 | - | - | - | 640-1000012 | | |
| 3 | 90402-822-000 | WASHER, head, 8 mm | 8 | - | - | 8 | 8 | 8 | 640-1000012 | | |
| 4 | 90402-822-650 | WASHER, head, 8 mm | - | 8 | 8 | - | - | - | 640-1000012 | | |
| 5 | 12201-822-000 | HEAD, cylinder | 1 | - | - | 1 | 1 | 1 | 640-1000012 | | |
| 6 | 12201-822-650 | HEAD, cylinder | - | 1 | 1 | - | - | - | 640-1000012 | | |
| 7 | 12251-822-000 | GASKET, cylinder head | 1 | 1 | 1 | 1 | 1 | 1 | 640-1000012 | | |
| 8 | 16211-822-010 | INSULATOR, carburetor | 1 | 1 | 1 | 1 | 1 | 1 | 640-1000012 | | |
| 9 | 16229-822-010 | PACKING, insulator | 1 | 1 | 1 | 1 | 1 | 1 | 640-1000012 | | |
| 10 | 12361-822-000 | COVER, tappet | 1 | - | - | 1 | 1 | 1 | 640-1000012 | | |
| 11 | 12361-822-650 | COVER, tappet | - | 1 | 1 | - | - | - | 640-1000012 | | |
| 12 | 12372-822-000 | PACKING, breather case | 2 | 2 | 2 | 2 | 2 | 2 | 640-1000012 | | |
| 13 | 12371-822-000 | CASE, breather | 1 | 1 | 1 | 1 | 1 | 1 | 640-1000012 | | |
| 14 | 16237-709-000 | STAY, over flow pipe | 1 | - | - | 1 | 1 | 1 | 640-1000012 | | |
| 15 | 16237-822-650 | STAY, over flow pipe | - | 1 | 1 | - | - | - | 640-1000012 | | |
| 16 | 90061-822-000 | BOLT, stud, 8x45 | 2 | - | - | 2 | 2 | 2 | 640-1000012 | | |
| 17 | 90061-822-650 | BOLT, stud, 8x45 | - | 2 | 2 | - | - | - | 640-1000012 | | |
| 18 | 12100-822-030 | CYLINDER | 1 | - | - | 1 | 1 | 1 | 640-1000012 | | |
| 19 | 12100-822-650 | CYLINDER | - | 1 | 1 | - | - | - | 640-1000012 | | |
| 20 | 14731-822-000 | LIFTER, valve | 2 | 2 | 2 | 2 | 2 | 2 | 640-1000012 | | |
| 21 | 14777-822-305 | ADJUSTER, tappet clearance (5.2~5.3) | 1 | 1 | 1 | 1 | 1 | 1 | 640-1000012 | | |
| 22 | 14777-822-315 | ADJUSTER, tappet clearance (5.5~5.6) | 1 | 1 | 1 | 1 | 1 | 1 | 640-1000012 | | |
| 23 | 14777-822-325 | ADJUSTER, tappet clearance (5.9~6.0) | 1 | 1 | 1 | 1 | 1 | 1 | 640-1000012 | | |
| 24 | 14771-805-000 | RETAINER, valve spring (inlet side) | 1 | 1 | 1 | 1 | 1 | 1 | 640-1000012 | | |
| 25 | 14771-822-010 | RETAINER, valve spring (exhaust side) | 1 | 1 | 1 | 1 | 1 | 1 | 640-1000012 | | |
| 26 | 14751-805-000 | SPRING, valve (inlet side) | 1 | 1 | 1 | 1 | 1 | 1 | 640-1000012 | | |
| 27 | 14751-822-000 | SPRING, valve (exhaust side) | 1 | 1 | 1 | 1 | 1 | 1 | 640-1000012 | | |
| 28 | 14775-805-010 | SEAT, valve spring (inlet side) | 1 | 1 | 1 | 1 | 1 | 1 | 640-1000012 | | |
| 29 | 14775-822-000 | SEAT, valve spring (exhaust side) | 1 | 1 | 1 | 1 | 1 | 1 | 640-1000012 | | |

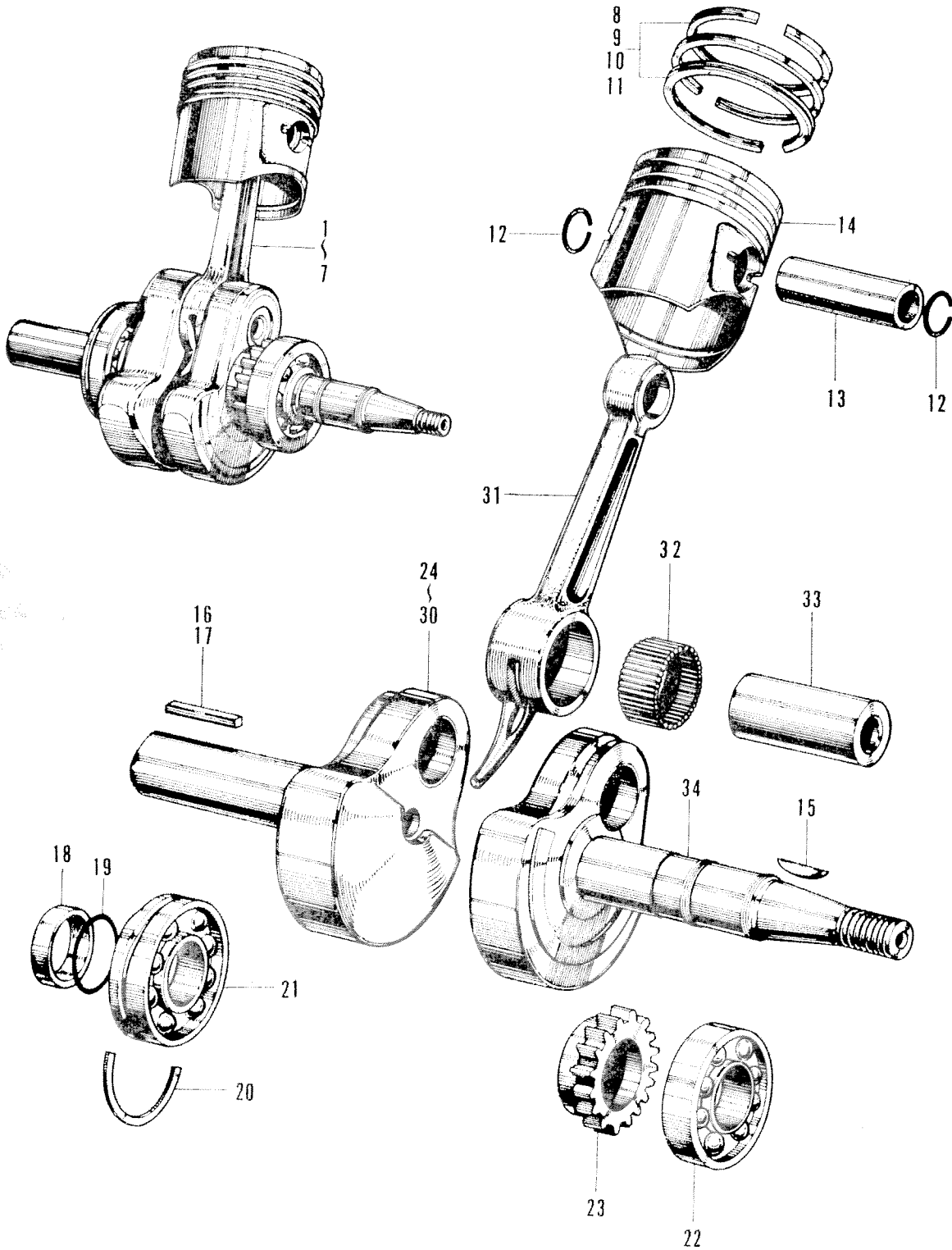
E-10 Cylinder

| Ref. No. | Part No. | Description | Reqd. No. | | | | | | No. Used on | | Remarks |
|----------|---------------|--------------------|-----------|----------|----------|----------|----------|----------|-------------|----|---------|
| | | | G40 D | G40 M | G40 B | G40 D | G40 E | G40 F | From | To | |
| 30 | 14711-822-010 | VALVE, inlet | 1 | 1 | 1 | 1 | 1 | 1 | 640-1000012 | | |
| 31 | 14721-822-010 | VALVE, exhaust | 1 | 1 | 1 | 1 | 1 | 1 | 640-1000012 | | |
| 32 | 92025-08045 | BOLT, hex., 8×45 | 5 | - | - | 5 | 5 | 5 | | | |
| 33 | 92025-0804502 | BOLT, hex., 8×45 | - | 5 | 5 | - | - | - | | | |
| 34 | 92000-06016 | BOLT, hex., 6×16 | 2 | - | - | 2 | 2 | 2 | | | |
| 35 | 92000-0601602 | BOLT, hex., 6×16 | - | 2 | 2 | - | - | - | | | |
| 36 | 92000-06012 | BOLT, hex., 6×12 | 1 | - | - | 1 | 1 | 1 | | | |
| 37 | 92000-0601202 | BOLT, hex., 6×12 | - | 1 | 1 | - | - | - | | | |
| 38 | 95001-80110 | TUBE, fuel, 8×110 | 1 | 1 | 1 | 1 | 1 | 1 | | | |
| 39 | 92000-06071 | BOLT, hex., 6×71 | 4 | - | - | 3 | 3 | 4 | | | |
| 40 | 92000-0607102 | BOLT, hex., 6×71 | - | 4 | 4 | - | - | - | | | |
| 41 | 92000-06080 | BOLT, hex., 6×80 | - | - | - | 1 | 1 | - | | | |
| 42 | 94101-06000 | WASHER, flat, 6 mm | - | - | - | 1 | - | - | | | |
| 43 | 92000-08070 | BOLT, hex., 8×70 | 2 | - | - | 2 | 2 | 2 | | | |
| 44 | 92000-0807002 | BOLT, hex., 8×70 | - | 2 | 2 | - | - | - | | | |
| 45 | 92000-08100 | BOLT, hex., 8×100 | 2 | - | - | 2 | 2 | 2 | | | |
| 46 | 92000-0810002 | BOLT, hex., 8×100 | - | 2 | 2 | - | - | - | | | |
| 47 | 92700-06032 | BOLT, stud, 6×32 | 2 | - | - | 2 | 2 | 2 | | | |
| 48 | 92700-0603202 | BOLT, stud, 6×32 | - | 2 | 2 | - | - | - | | | |

E-10 Cylinder



E-11 Crankshaft



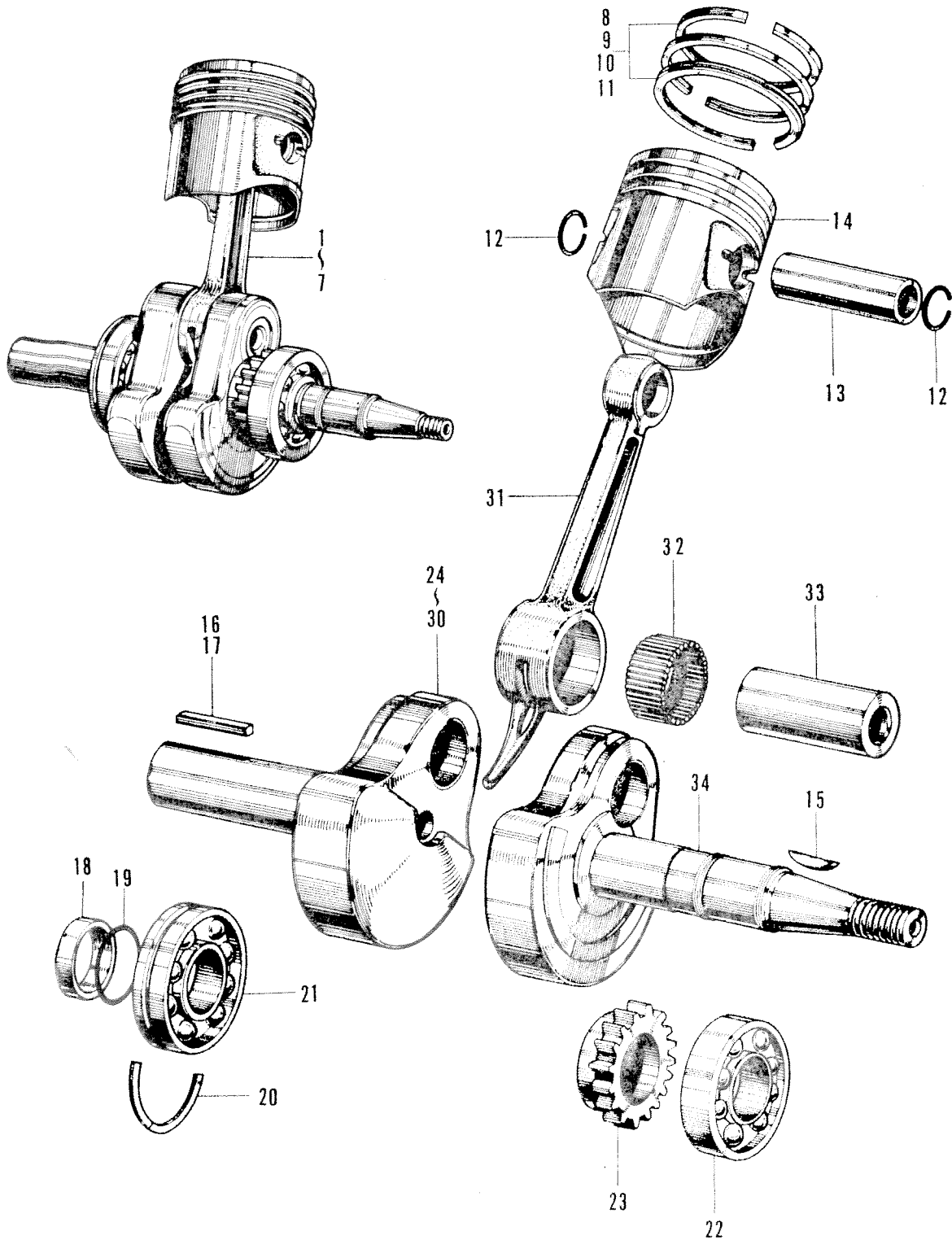
E-11 Crankshaft

| Ref. No. | Part No. | Description | Reqd. No. | | | | | | | No. Used on | | Remark |
|----------|---------------|---|-----------|---------|---------|---------|---------|---------|------|-------------|-------------|--------|
| | | | G40 D | G40 M D | G40 8 D | G40 E D | G40 F E | G40 W D | From | To | | |
| 1 | 13000-822-020 | CRANKSHAFT ASSY. (Superseded by 13000-822-030 with 90408-822-010 Marine use 90408-822-651), 90743-822-010, 94002-14000 (Marine use 94002-14020) and 31121-822-030 (Marine use 31121-822-651)) | 1 | 1 | 1 | 1 | 1 | 1 | - | G40-1000012 | G40-1012004 | |
| | 13000-822-030 | CRANKSHAFT ASSY. | 1 | 1 | 1 | 1 | 1 | 1 | - | G40-1012005 | | |
| 2 | 13000-822-730 | CRANKSHAFT ASSY. (Superseded by 13000-822-732 with 90408-822-010, 90743-822-010, 94002-14000 and 31121-822-030) | - | - | - | - | - | - | 1 | G40-1000012 | G40-1012004 | |
| | 13000-822-732 | CRANKSHAFT ASSY. | - | - | - | - | - | - | 1 | G40-1012005 | | |
| 3 | 13000-822-631 | CRANKSHAFT ASSY. (SPECIAL Part for G40HD-with 1/8 reduction) | - | - | - | - | - | - | - | G40-1000012 | | |
| 4 | 13000-822-691 | CRANKSHAFT ASSY. (SPECIAL Part for G40P-type A-with thread) | - | - | - | - | - | - | - | G40-1000012 | | |
| 5 | 13000-822-701 | CRANKSHAFT ASSY. (SPECIAL Part for G40Q and G40A-type B-with inch flat key) | - | - | - | - | - | - | - | G40-1000012 | | |
| 6 | 13000-822-711 | CRANKSHAFT ASSY. (SPECIAL Part for G40U-type C-with staged thread) | - | - | - | - | - | - | - | G40-1000012 | | |
| 7 | 13000-822-721 | CRANKSHAFT ASSY. (SPECIAL Part for G40V-type D-with taper) | - | - | - | - | - | - | - | G40-1000012 | | |
| 8 | 13011-805-000 | RING SET, piston (S.T.D.) | 1 | 1 | 1 | 1 | 1 | 1 | 1 | G40-1000012 | | |
| 9 | 13021-805-000 | RING SET, piston (0.25) | 1 | 1 | 1 | 1 | 1 | 1 | 1 | G40-1000012 | | |
| 10 | 13031-805-000 | RING SET, piston (0.50) | 1 | 1 | 1 | 1 | 1 | 1 | 1 | G40-1000012 | | |
| 11 | 13041-805-000 | RING SET, piston (0.75) | 1 | 1 | 1 | 1 | 1 | 1 | 1 | G40-1000012 | | |
| 12 | 13115-805-000 | CLIP, piston pin | 2 | 2 | 2 | 2 | 2 | 2 | 2 | G40-1000012 | | |
| 13 | 13111-805-000 | PIN, piston | 1 | 1 | 1 | 1 | 1 | 1 | 1 | G40-1000012 | | |
| 14 | 13101-822-000 | PISTON (S.T.D.) | 1 | 1 | 1 | 1 | 1 | 1 | 1 | G40-1000012 | | |
| 15 | 90743-822-000 | KEY, woodruff, 4 mm | 1 | 1 | 1 | 1 | 1 | 1 | 1 | G40-1000012 | G40-1012004 | |
| | 90743-822-010 | KEY, woodruff, 4 mm | 1 | 1 | 1 | 1 | 1 | 1 | 1 | G40-1012005 | | |
| 16 | 90742-807-640 | KEY, 1/4 (Used on type G40A) | - | - | - | - | - | - | - | G40-1000012 | | |
| 17 | 90741-822-620 | KEY, 6x7x70 (Used on type G40CD) | - | - | - | - | - | - | - | G40-1000012 | | |

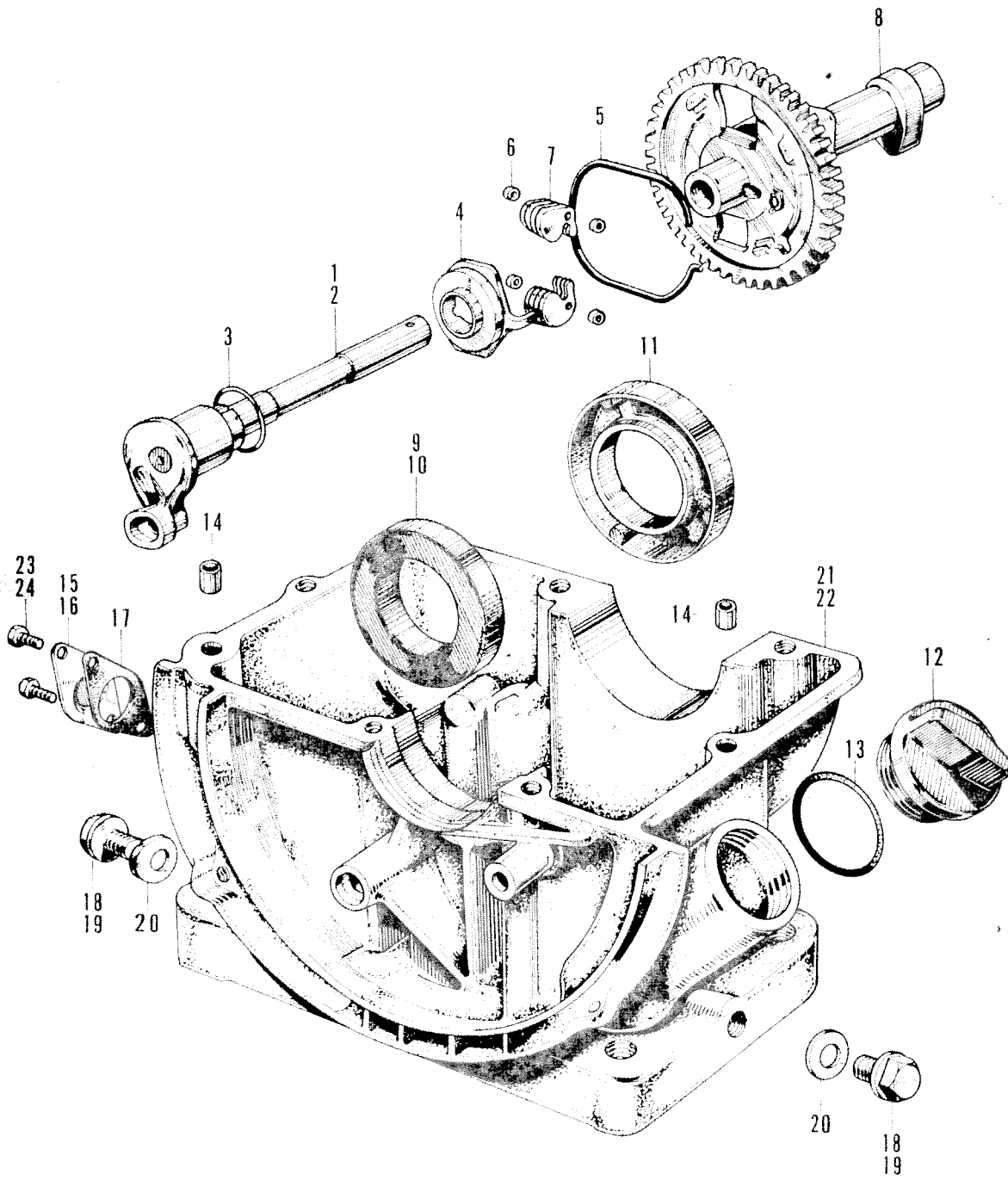
E-11 Crankshaft

| Ref. No. | Part No. | Description | Reqd. No. | | | | | | No. Used on | | Remarks |
|----------|---------------|--|-----------|--------|--------|--------|--------|--------|-------------|-------------|---------|
| | | | G40 D | G40 MD | G40 BD | G40 ED | G40 FD | G40 WD | From | To | |
| 18 | 13325-805-630 | COLLAR, crankshaft | - | - | - | - | - | 1 | G40-1000012 | | |
| 19 | 91302-805-620 | O-RING, 25 mm | - | - | - | - | - | 1 | G40-1000012 | | |
| 20 | 13491-701-000 | SET-RING, ball bearing | 1 | 1 | 1 | 1 | 1 | 1 | G40-1000012 | | |
| 21 | 91001-822-000 | BEARING, ball, 6304S | 1 | 1 | 1 | 1 | 1 | 1 | G40-1000012 | | |
| 22 | 91002-805-000 | BEARING, ball, 6206SHS | 1 | 1 | 1 | 1 | 1 | 1 | G40-1000012 | | |
| 23 | 14311-805-010 | GEAR, timing | 1 | 1 | 1 | 1 | 1 | 1 | G40-1000012 | | |
| 24 | 13321-805-020 | CRANKSHAFT, left | 1 | 1 | 1 | 1 | 1 | - | G40-1000012 | | |
| 25 | 13321-805-630 | CRANKSHAFT, left | - | - | - | - | - | 1 | G40-1000012 | | |
| 26 | 13321-807-730 | CRANKSHAFT, left (SPECIAL Part for G40HD-with 1/8 reduction) | - | - | - | - | - | - | G40-1000012 | | |
| 27 | 13321-807-680 | CRANKSHAFT, left (SPECIAL Part for G40P-type A-with thread) | - | - | - | - | - | - | G40-1000012 | | |
| 28 | 13321-807-690 | CRANKSHAFT, left (SPECIAL Part for G40Q and G40A-type B-with inch flat key) | - | - | - | - | - | - | G40-1000012 | | |
| 29 | 13321-807-700 | CRANKSHAFT, left (SPECIAL Part for G40U-type C-with staged thread) | - | - | - | - | - | - | G40-1000012 | | |
| 30 | 13321-807-710 | CRANKSHAFT, left (SPECIAL Part for G40V-type D-with taper) | - | - | - | - | - | - | G40-1000012 | | |
| 31 | 13201-822-000 | ROD, connecting | 1 | 1 | 1 | 1 | 1 | 1 | G40-1000012 | | |
| 32 | 91101-805-000 | ROLLER, rod, 2.48x18.8 | 36 | 36 | 36 | 36 | 36 | 36 | G40-1000012 | | |
| 33 | 13381-805-010 | PIN, crank | 1 | 1 | 1 | 1 | 1 | 1 | G40-1000012 | | |
| 34 | 13311-822-010 | CRANKSHAFT, right (Superseded by 13311-822-020 with 90408-822-010 (Marine use 90408-822-651), 90743-822-010, 94002-14000 (Marine use 94002-14020) and 31121-822-030 (Marine use 31121-822-651)) | 1 | 1 | 1 | 1 | 1 | 1 | G40-1000012 | G40-1012004 | |
| | 13311-822-020 | CRANKSHAFT, right | 1 | 1 | 1 | 1 | 1 | 1 | G40-1012005 | | |

E-11 Crankshaft



E-12 Camshaft · Oil Pan



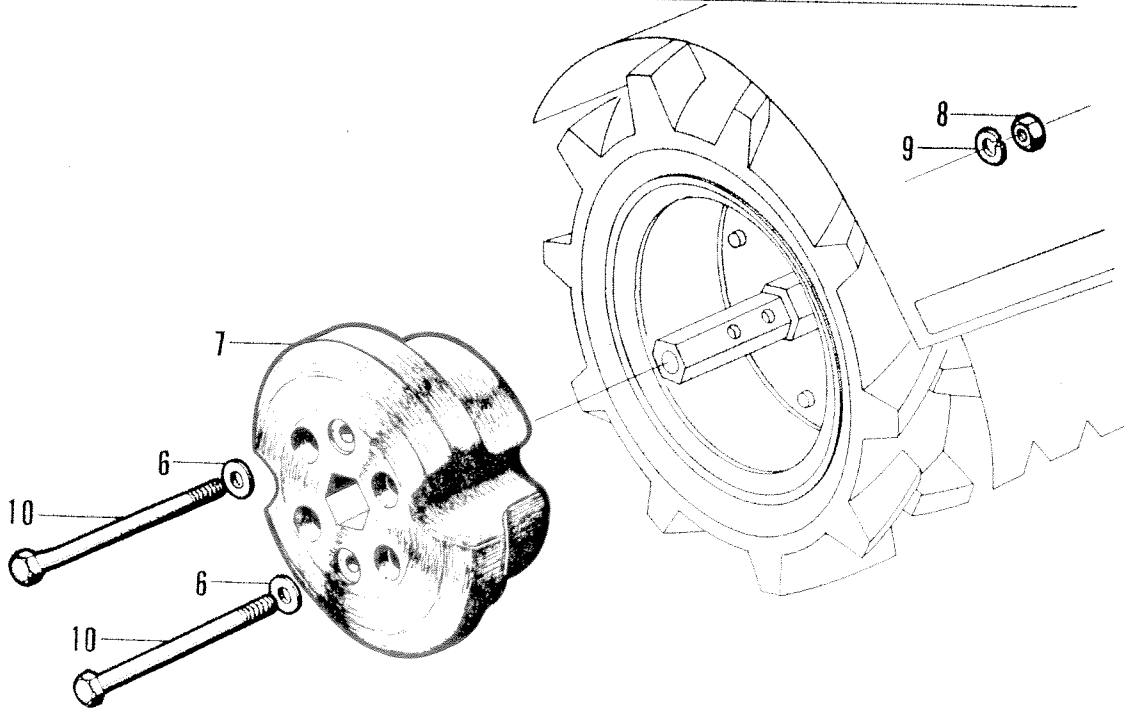
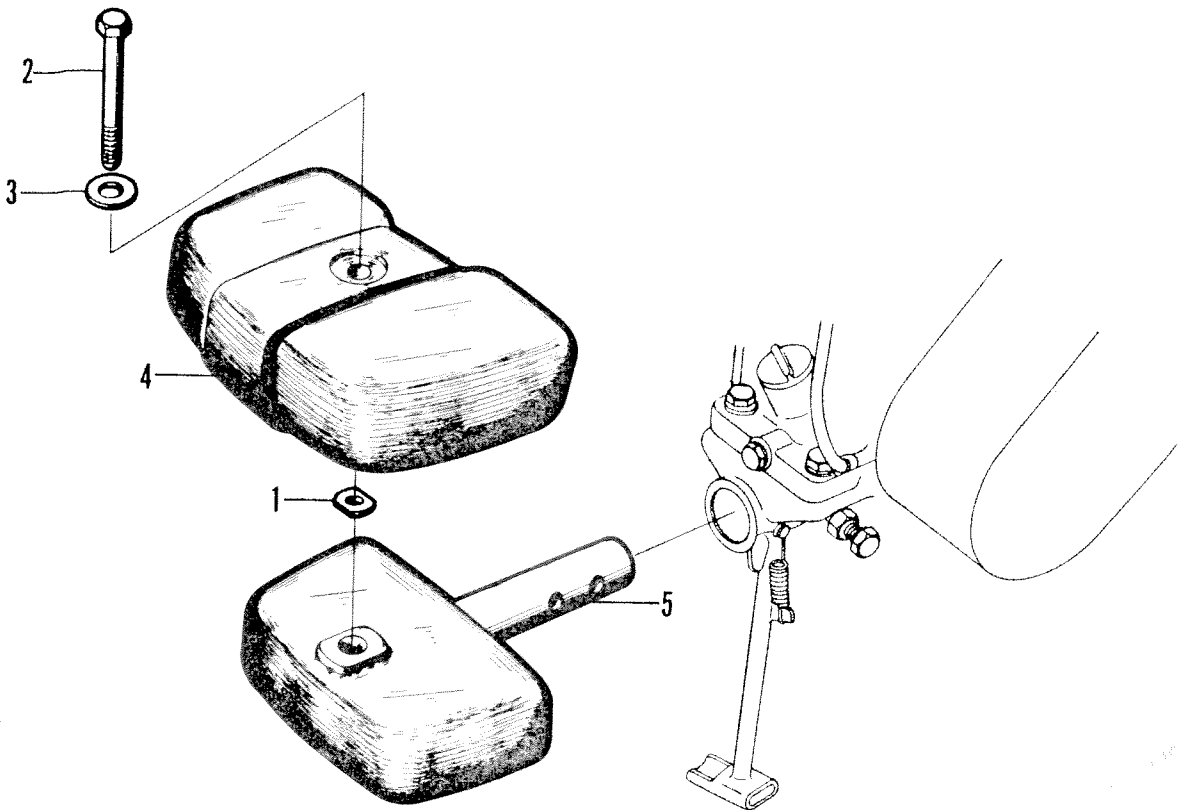
E-12 Camshaft · Oil Pan

| Ref. No. | Part No. | Description | Reqd. No. | | | | | | | No. Used on | | Remarks |
|----------|----------------|-------------------------|-----------|-------|-------|-------|-------|-------|-------|-------------|-------------|---------|
| | | | G40 D | G40 M | G40 B | G40 D | G40 E | G40 F | G40 W | From | To | |
| 1 | 14210-822-010 | CENTER, camshaft | 1 | - | - | 1 | 1 | 1 | 1 | 1 | 640-1000012 | |
| 2 | 14210-822-650 | CENTER, camshaft | - | 1 | 1 | - | - | - | - | - | 640-1000012 | |
| 3 | 91354-702-000 | O-RING, 23 mm | 1 | 1 | 1 | 1 | 1 | 1 | 1 | 1 | 640-1000012 | |
| 4 | 16521-822-010 | SLIDER, governor | 1 | 1 | 1 | 1 | 1 | 1 | 1 | 1 | 640-1000012 | |
| 5 | 16515-805-000* | CENTER, governor weight | 1 | 1 | 1 | 1 | 1 | 1 | 1 | 1 | 640-1000012 | |
| 6 | 16523-805-000 | COLLAR, distance | 4 | 4 | 4 | 4 | 4 | 4 | 4 | 4 | 640-1000012 | |
| 7 | 16511-805-000 | WEIGHT, governor | 8 | 8 | 8 | 8 | 8 | 8 | 8 | 8 | 640-1000012 | |
| 8 | 14101-822-010 | CAMSHAFT | 1 | 1 | 1 | 1 | 1 | 1 | 1 | 1 | 640-1000012 | |
| 9 | 91201-822-003 | OIL-SEAL, PJ20528 | 1 | 1 | 1 | 1 | 1 | 1 | 1 | 1 | 640-1000012 | |
| 10 | 91201-822-005 | OIL-SEAL, PJ20528 | 1 | 1 | 1 | 1 | 1 | 1 | 1 | 1 | 640-1000012 | |
| 11 | 91204-805-000 | OIL-SEAL, PJ306510 | 1 | 1 | 1 | 1 | 1 | 1 | 1 | 1 | 640-1000012 | |
| 12 | 15611-805-010 | CAP, oil | 1 | 1 | 1 | - | 1 | 1 | 1 | 1 | 640-1000012 | |
| 13 | 91301-805-000 | O-RING, 26×2.7 | 1 | 1 | 1 | - | 1 | 1 | 1 | 1 | 640-1000012 | |
| 14 | 90701-200-000 | PIN, knock, 8.5×11 | 2 | 2 | 2 | 2 | 2 | 2 | 2 | 2 | 640-1000012 | |
| 15 | 11210-822-000 | COVER, oil pan hole | 1 | - | - | 1 | 1 | 1 | 1 | 1 | 640-1006300 | |
| 16 | 11210-822-650 | COVER, oil pan hole | - | 1 | 1 | - | - | - | - | - | 640-1006300 | |
| 17 | 11211-822-000 | PACKING, oil pan hole | 1 | 1 | 1 | 1 | 1 | 1 | 1 | 1 | 640-1006300 | |
| 18 | 90015-822-650 | BOLT, drain cock | - | 2 | 2 | - | - | - | - | - | 640-1000012 | |
| 19 | 92800-12000 | BOLT, drain cock | 2 | - | - | 2 | 2 | 2 | 2 | 2 | 640-1000012 | |
| 20 | 90407-259-000 | PACKING, drain cock | 2 | 2 | 2 | 2 | 2 | 2 | 2 | 2 | 640-1000012 | |
| 21 | 11200-822-010 | PAN, oil | 1 | - | - | 1 | 1 | 1 | 1 | 1 | 640-1000012 | |
| 22 | 11200-822-650 | PAN, oil | - | 1 | 1 | - | - | - | - | - | 640-1000012 | |
| 23 | 92000-06012 | BOLT, hex., 6×12 | 2 | - | - | 2 | 2 | 2 | 2 | 2 | | |
| 24 | 92000-0601202 | BOLT, hex., 6×12 | - | 2 | 2 | - | - | - | - | - | | |

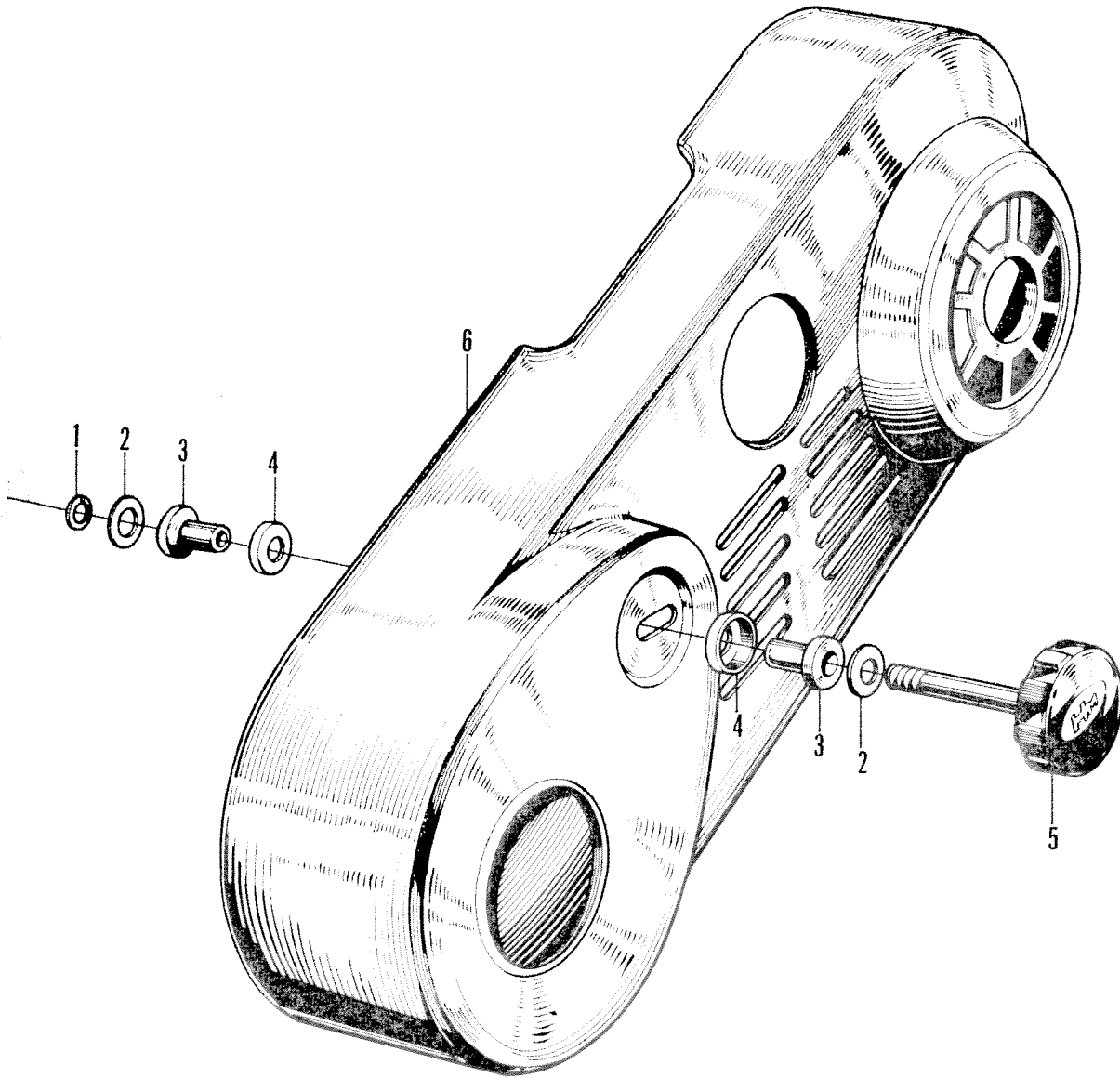
F-1 Weight

| Ref. No. | Part No. | Description | Reqd. No. | | No. Used on | | Remarks |
|----------|---------------|------------------------------|-----------|------|-------------------|----|---------|
| | | | F40T | F40F | From | To | |
| 1 | 59492-704-000 | STOPPER, 12 mm | 1 | | F 40-122681 | | |
| 2 | 90134-704-000 | BOLT, hex., 12×75 | 1 | | F 40-122681 | | |
| 3 | 90583-704-000 | WASHER, 12ϕ | 1 | | F 40-122681 | | |
| 4 | 59351-704-000 | WEIGHT, sub front | 1 | | F 40-122681 | | |
| 5 | 59301-704-000 | WEIGHT, main front | 1 | | F 40-122681 | | |
| 6 | 90531-703-000 | WASHER, special, 10 mm | 4 | | F 40-122681 | | |
| 7 | 59101-704-010 | WEIGHT, wheel | 2 | | F 40-122681 | | |
| 8 | 94001-10000 | NUT, hex., 10 mm | 4 | | | | |
| 9 | 94111-10000 | WASHER, spring, 10 mm..... | 4 | | | | |
| 10 | 92035-10125 | BOLT, hex., 10×125 | 4 | | | | |

F-1 Weight



F-2 Belt Cover



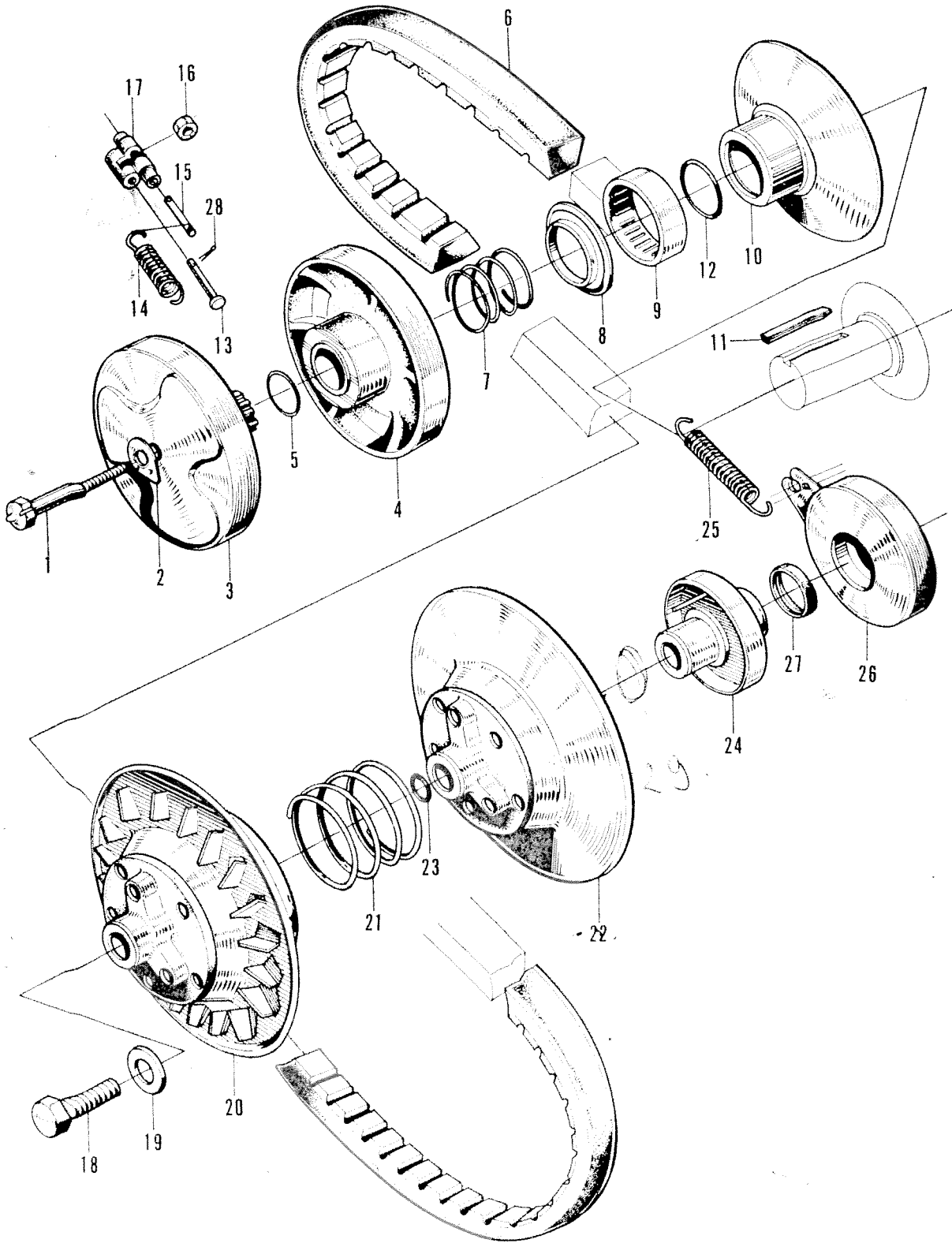
F-2 Belt Cover

| Ref. No. | Part No. | Description | Reqd. No. | | No. Used on | | Remarks |
|----------|----------------|----------------------------------|-----------|------|------------------|----|---------|
| | | | F40T | F40F | From | To | |
| 1 | 63687-704-000 | STOPPER, latch | 1 | 1 | F40-122681 | | |
| 2 | 90581-704-000 | WASHER, special, 8φ | 2 | 2 | F40-122681 | | |
| 3 | 63692-704-020 | RUBBER B, cushion | 2 | 2 | F40-122681 | | |
| 4 | 63693-704-000 | PLATE, cushion rubber side | 2 | 2 | F40-122681 | | |
| 5 | 63681-704-020 | LATCH B, belt cover | 1 | 1 | F40-122681 | | |
| 6 | 63610-709-000N | COVER, belt | 1 | 1 | F40-122681 | | |

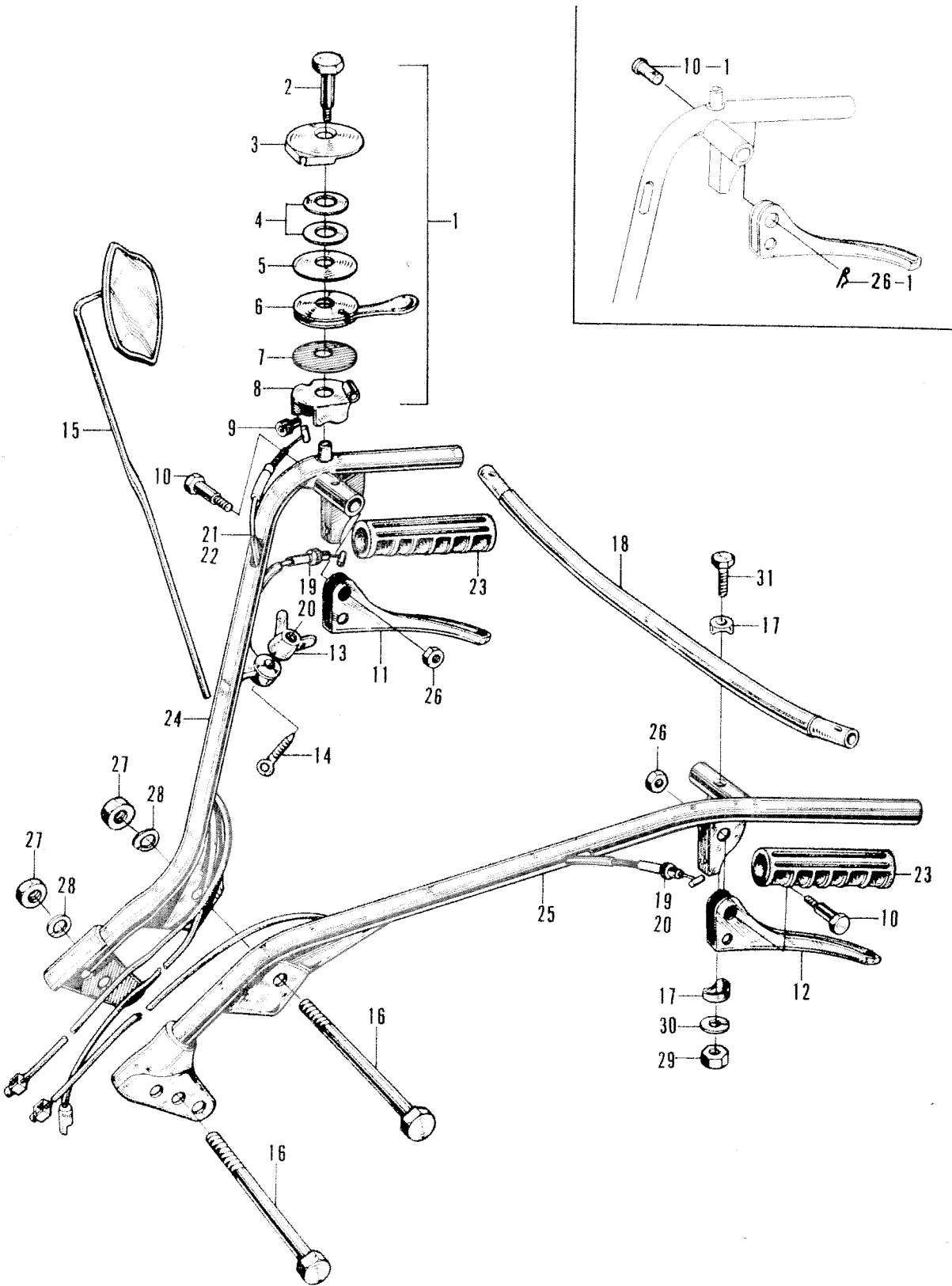
F-3 Pulley

| Ref. No. | Part No. | Description | Reqd. No. | | No. Used on | | Remarks |
|----------|---------------|------------------------------------|-----------|------|------------------|----|---------|
| | | | F40I | F40F | From | To | |
| 1 | 23193-704-000 | BOLT, pulley setting | 1 | 1 | F40-122681 | | |
| 2 | 90433-704-000 | WASHER, locking | 1 | 1 | F40-122681 | | |
| 3 | 22100-704-000 | COVER, B drive pulley | 1 | 1 | F40-122681 | | |
| 4 | 22515-704-000 | PULLEY, B drive | 1 | 1 | F40-122681 | | |
| 5 | 91303-704-000 | O-RING, 35 mm | 1 | 1 | F40-122681 | | |
| 6 | 23161-704-000 | VELT, varying pitch | 1 | 1 | F40-122681 | | |
| 7 | 22411-704-000 | SPRING, clutch free | 1 | 1 | F40-122681 | | |
| 8 | 23192-704-000 | PLATE, thrust | 1 | 1 | F40-122681 | | |
| 9 | 91021-704-010 | BEARING, needle, 50x26 | 1 | 1 | F40-122681 | | |
| 10 | 22511-704-000 | PULLEY, A drive | 1 | 1 | F40-122681 | | |
| 11 | 90741-704-000 | KEY, drive | 1 | 1 | F40-122681 | | |
| 12 | 91304-704-000 | O-RING, 42 mm | 1 | 1 | F40-122681 | | |
| 13 | 22522-704-000 | PIN, varying pitch weight | 3 | 3 | F40-122681 | | |
| 14 | 22527-704-000 | SPRING, weight return | 3 | 3 | F40-122681 | | |
| 15 | 22526-704-000 | HOOK, spring | 3 | 3 | F40-122681 | | |
| 16 | 22525-704-010 | ROLLER, varying pitch weight | 3 | 3 | F40-122681 | | |
| 17 | 22521-704-000 | WEIGHT, varying pitch | 3 | 3 | F40-122681 | | |
| 18 | 90026-704-020 | BOLT, driven pulley locking | 1 | 1 | F40-122681 | | |
| 19 | 90471-704-010 | WASHER A, 10 mm | 1 | 1 | F40-122681 | | |
| 20 | 22560-704-020 | PULLEY, A driven | 1 | 1 | F40-122681 | | |
| 21 | 22595-704-000 | SPRING, varying pitch | 1 | 1 | F40-122681 | | |
| 22 | 22570-704-020 | PULLEY, B driven | 1 | 1 | F40-122681 | | |
| 23 | 91302-704-000 | O-RING, 20 mm | 1 | 1 | F40-122681 | | |
| 24 | 22585-704-020 | RACE, inner | 1 | 1 | F40-122681 | | |
| 25 | 22881-704-000 | SPRING, wire return | 1 | 1 | F40-122681 | | |
| 26 | 22580-704-010 | RACE, outer | 1 | 1 | F40-122681 | | |
| 27 | 91202-704-010 | OIL-SEAL, PJ28408 | 1 | 1 | F40-122681 | | |
| 28 | 94201-10100 | PIN, cotter, 1.0 mm | 3 | 3 | | | |

F-3 Pulley



F-4 Handle



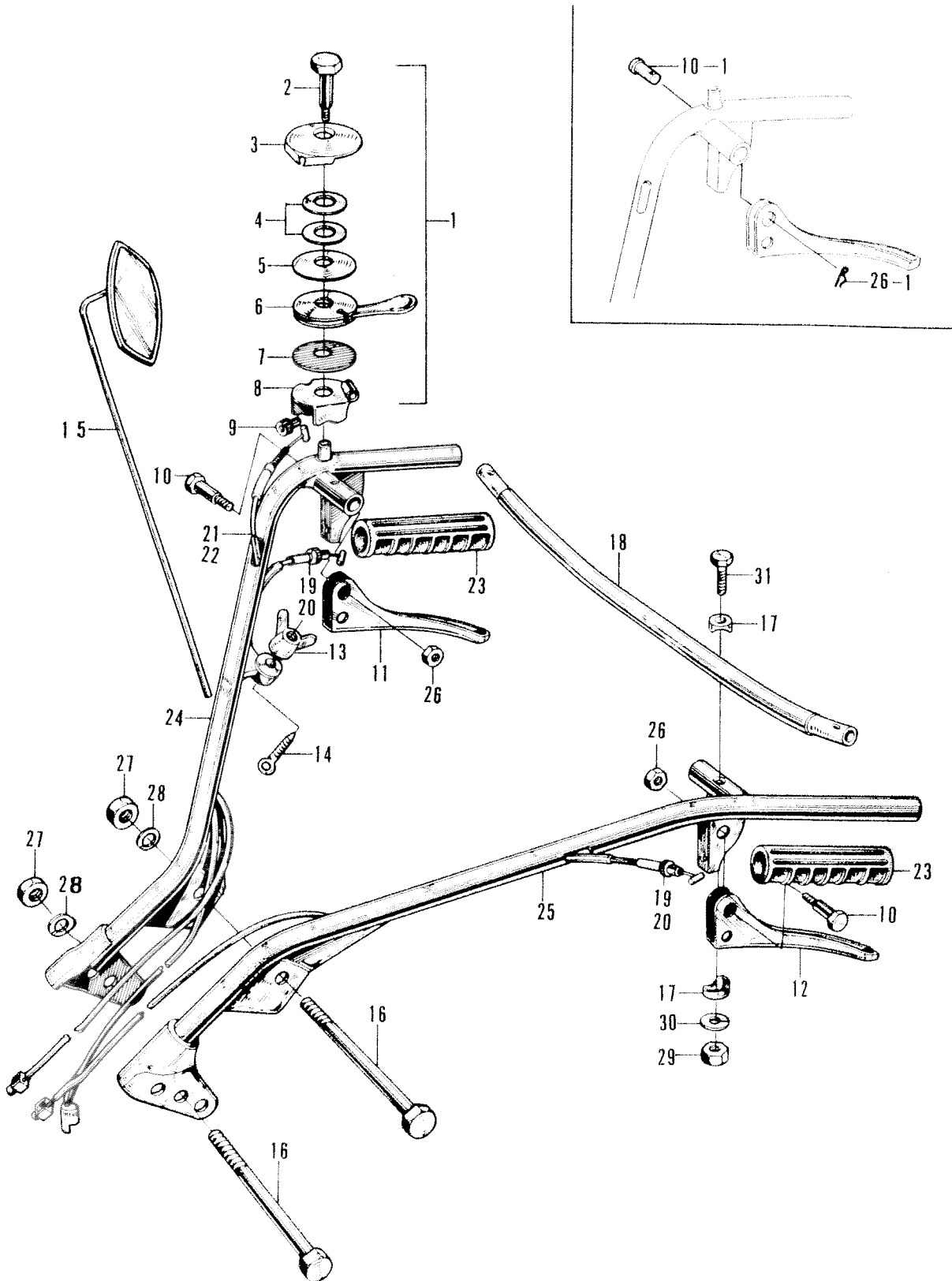
F-4 Handle

| Ref. No. | Part No. | Description | Reqd. No. | | No. Used on | | Remarks |
|----------|---------------|---------------------------------|-----------|------|-------------|------------|---------|
| | | | F40T | F40F | From | To | |
| 1 | 17850-704-020 | LEVER ASSY., throttle | 1 | 1 | F40-122681 | F40-128836 | |
| | 17850-709-000 | LEVER ASSY., throttle | 1 | 1 | F40-128837 | | |
| 2 | 17855-704-010 | SHAFT, throttle lever | 1 | 1 | F40-122681 | | |
| 3 | 17852-704-680 | COVER, throttle lever | 1 | 1 | F40-122681 | F40-128836 | |
| | 17852-709-000 | COVER, throttle lever | 1 | 1 | F40-128837 | | |
| 4 | 17856-700-000 | PLATE, throttle lever adjusting | 3 | 3 | F40-122681 | | |
| 5 | 17831-704-000 | SPRING, throttle lever | 1 | 1 | F40-122681 | | |
| 6 | 17851-704-000 | LEVER, throttle | 1 | 1 | F40-122681 | | |
| 7 | 17862-701-010 | SEAT, throttle lever end | 1 | 1 | F40-122681 | | |
| 8 | 17854-704-010 | STAY, throttle lever | 1 | 1 | F40-122681 | F40-128836 | |
| | 17854-709-000 | STAY, throttle lever | 1 | 1 | F40-128837 | | |
| 9 | 17860-709-000 | NUT B, adjusting | 1 | 1 | F40-128837 | | |
| 10 | 54691-704-010 | BOLT, side clutch lever hinge | 2 | 2 | F40-122681 | F40-128836 | |
| 10-1 | 54712-709-000 | PIN, round head, 8×15.5 | 2 | 2 | F40-128837 | | |
| 11 | 54611-704-010 | LEVER B, right side clutch | 1 | 1 | F40-122681 | | |
| 12 | 54621-704-010 | LEVER B, left side clutch | 1 | 1 | F40-122681 | | |
| 13 | 90351-700-000 | NUT, wing, 8ϕ | 1 | | F40-122681 | | |
| 14 | 88171-701-000 | BOLT, clamp | 1 | | F40-122681 | | |
| 15 | 88110-700-000 | MIRROR ASSY., back | 1 | | F40-122681 | | |
| 16 | 90132-703-000 | BOLT, hex., 10×123 | 2 | 2 | F40-122681 | | |
| 17 | 17891-700-000 | WASHER, throttle lever | 4 | 4 | F40-122681 | | |
| 18 | 53211-704-020 | BRIDGE, handle | 1 | | F40-122681 | | |
| 19 | 54710-704-030 | WIRE B, side clutch | 2 | | F40-122681 | F40-128836 | |
| | 54710-709-000 | WIRE B, side clutch | 2 | | F40-128837 | | |
| 20 | 54710-704-601 | WIRE B, side clutch | 2 | | F40-122681 | F40-128836 | |
| | 54710-709-680 | WIRE B, side clutch | 2 | | F40-128837 | | |
| 21 | 17910-704-020 | WIRE, throttle | 1 | | F40-122681 | F40-128836 | |
| | 17910-709-000 | WIRE, throttle | 1 | | F40-128837 | | |
| 22 | 17910-704-820 | WIRE, throttle | 1 | | F40-122681 | F40-128836 | |
| | 17910-709-680 | WIRE, throttle | 1 | | F40-128837 | | |

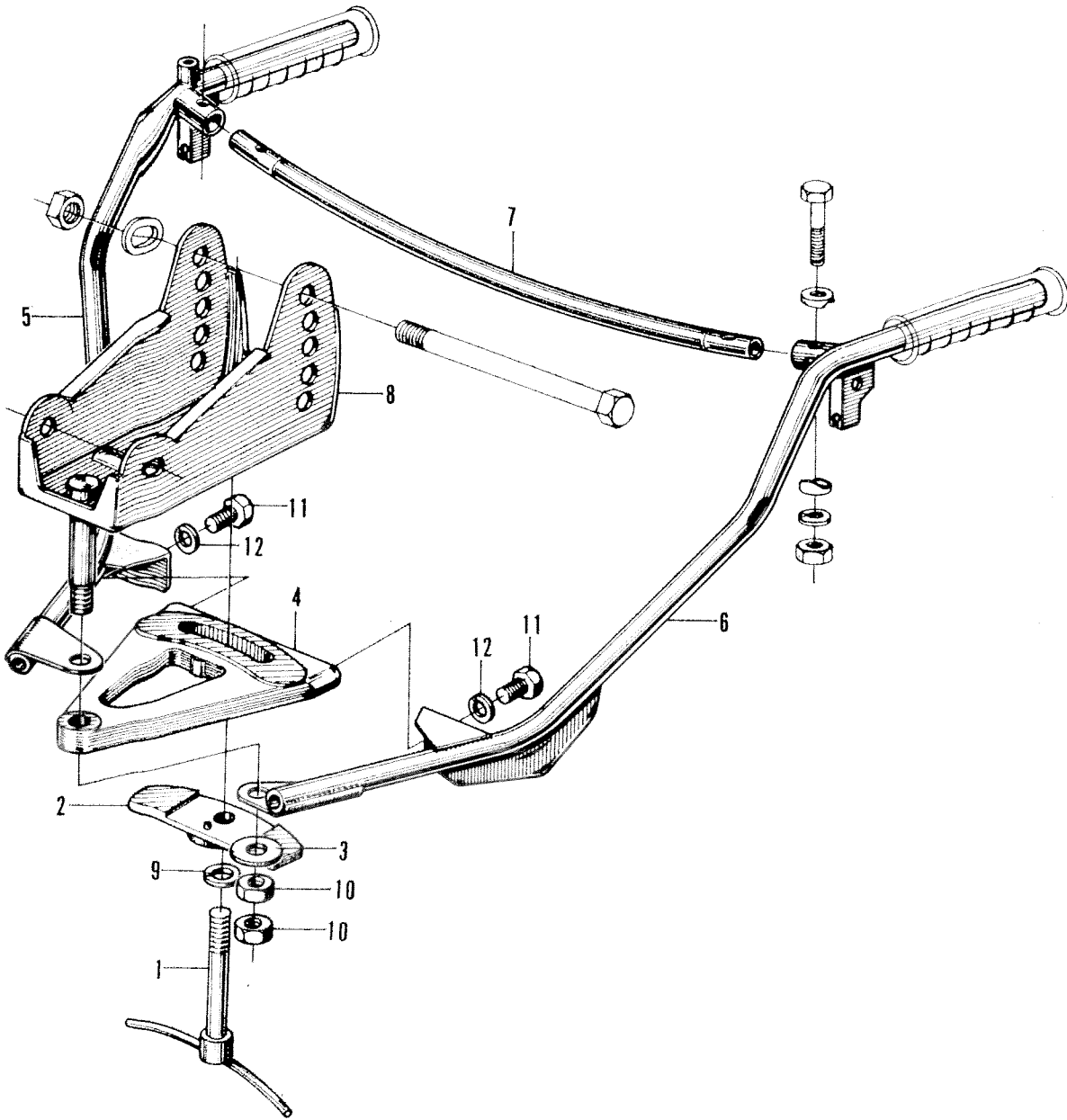
F-4 Handle

| Ref. No. | Part No. | Description | Reqd. No. | | No. Used on | | Remarks |
|----------|---------------|-----------------------------|-----------|------|------------------|------------|---------|
| | | | F40T | F40F | From | To | |
| 23 | 53321-704-000 | GRIP, handle | 2 | 2 | F40-122681 | | |
| 24 | 53110-704-040 | PIPE, right handle | 1 | | F40-122681 | F40-128836 | |
| | 53110-709-000 | PIPE, right handle | 1 | | F40-128837 | | |
| 25 | 53150-704-040 | PIPE, left handle | 1 | | F40-122681 | F40-128836 | |
| | 53150-709-000 | PIPE, left handle | 1 | | F40-128837 | | |
| 26 | 94002-06000 | NUT, thin, 6 mm | 2 | 2 | | F40-128836 | |
| 26-1 | 94251-08000 | PIN, locking, 8 mm | 2 | 2 | F40-128837 | | |
| 27 | 94001-10000 | NUT, hex., 10 mm | 2 | 2 | | | |
| 28 | 94111-10000 | WASHER, spring, 10 mm | 2 | 2 | | | |
| 29 | 94001-08000 | NUT, hex., 8 mm | 2 | 2 | | | |
| 30 | 94111-08000 | WASHER, spring, 8 mm | 2 | 2 | | | |
| 31 | 92000-08038 | BOLT, hex., 8x38 | 2 | 2 | | | |

F-4 Handle



F-5 Swing Handle



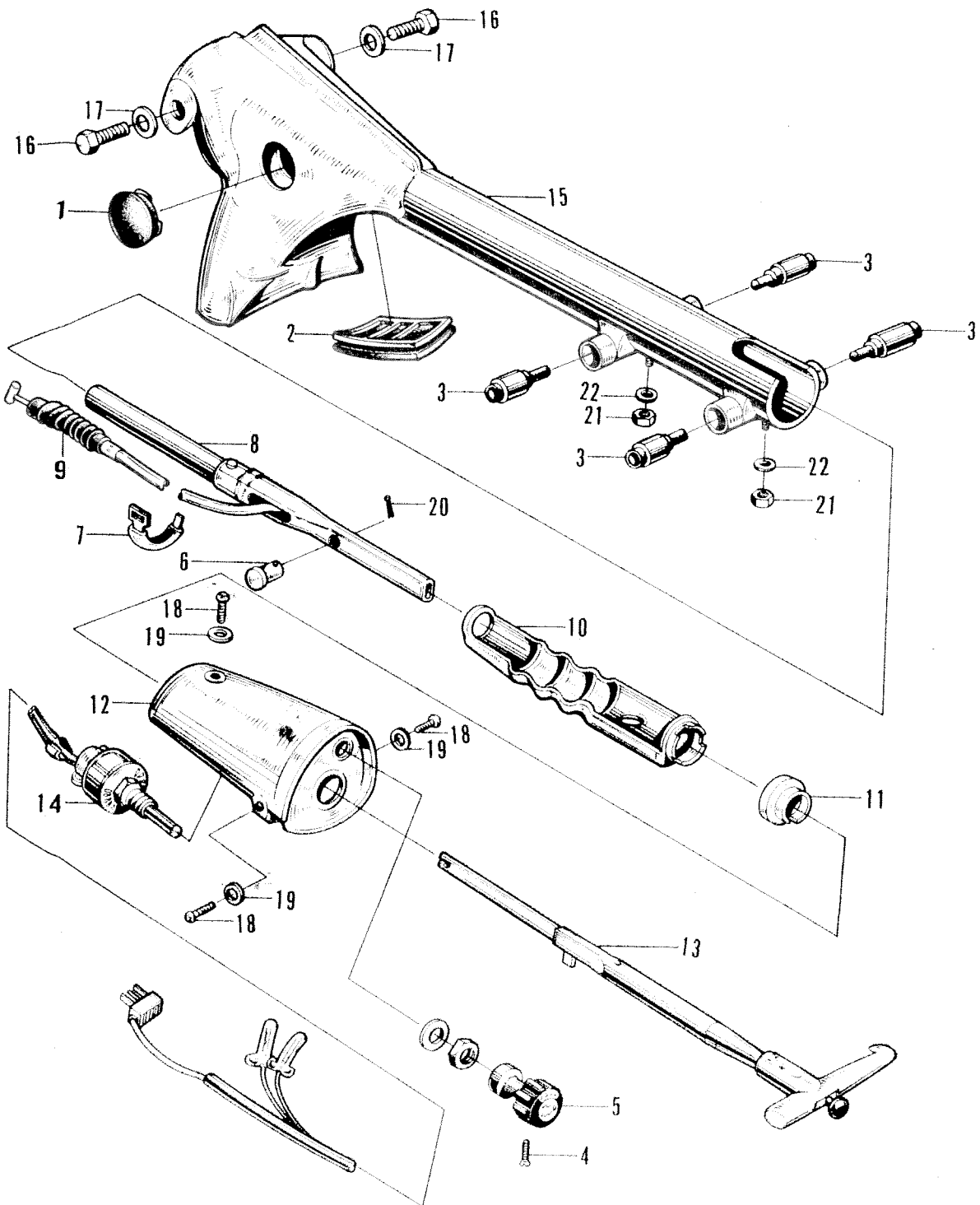
F-5 Swing Handle

| Ref. No. | Part No. | Description | Reqd. No. | | No. Used on | | Remark |
|----------|---------------|-----------------------------|-----------|------|-------------------|-------------|--------|
| | | | F40T | F40F | From | To | |
| 1 | 54771-704-600 | LOCK, handle | 1 | | F 40-122681 | | |
| 2 | 54585-704-600 | PIECE, Pressure | 1 | | F 40-122681 | | |
| 3 | 90586-704-810 | WASHER, 11×28 | 1 | | F 40-122681 | | |
| 4 | 54584-704-602 | BODY, swing | 1 | | F 40-122681 | | |
| 5 | 53110-704-823 | PIPE, right handle | 1 | | F 40-122681 | | |
| | 53110-709-680 | PIPE, right handle | 1 | | F 40-122681 | F 40-128836 | |
| 6 | 53150-704-823 | PIPE, left handle | 1 | | F 40-128837 | | |
| | 53150-709-680 | PIPE, left handle | 1 | | F 40-122681 | F 40-128836 | |
| 7 | 53211-704-680 | BRIDGE, handle | 1 | | F 40-128837 | | |
| 8 | 53510-704-681 | PLATE, adjuster | 1 | | F 40-122681 | | |
| 9 | 94111-10000 | WASHER, spring, 10 mm | 1 | | F 40-122681 | | |
| 10 | 94002-10000 | NUT, thin, 10 mm | 2 | | | | |
| 11 | 92000-08018 | BOLT, hex., 8×18 | 2 | | | | |
| 12 | 94111-08000 | WASHER, spring, 8 mm | 2 | | | | |

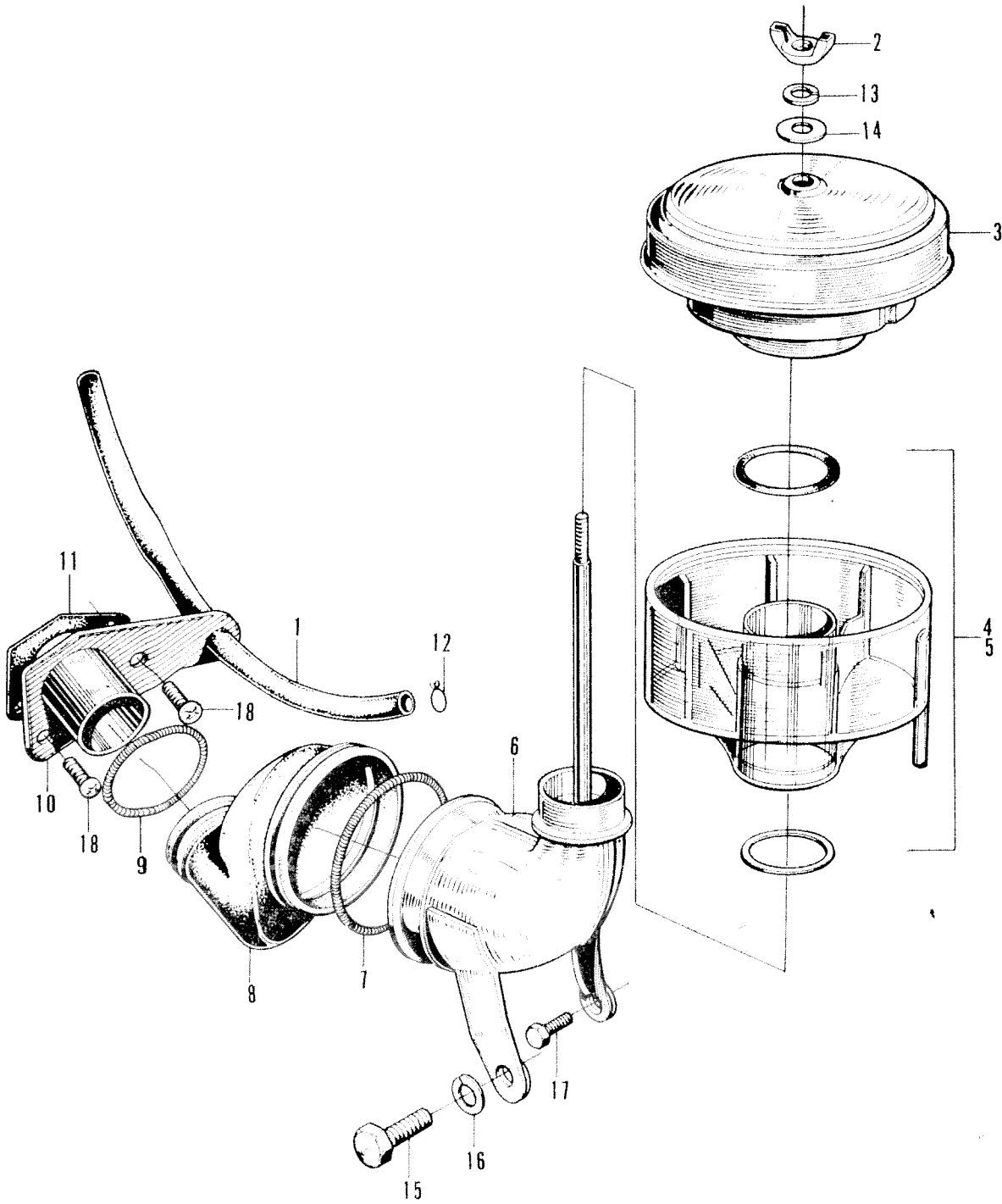
F-6 Handle Column

| Ref. No. | Part No. | Description | Reqd. No. | | No. Used on | | Remarks |
|----------|---------------|---------------------------------|-----------|------|------------------|----|---------|
| | | | F40T | F40F | From | To | |
| 1 | 50221-704-000 | COVER, joint | 1 | 1 | F40-122681 | | |
| 2 | 50211-704-000 | COVER, column | 1 | 1 | F40-122681 | | |
| 3 | 53571-704-000 | DAMPER, hinge boss | 4 | 4 | F40-122681 | | |
| 4 | 35112-701-000 | SCREW, knob setting | 1 | | F40-122681 | | |
| 5 | 35111-704-000 | KNOB, combination switch | 1 | | F40-122681 | | |
| 6 | 54581-704-000 | END, wire..... | 1 | 1 | F40-122681 | | |
| 7 | 54587-704-000 | BAND, change wire | 1 | 1 | F40-122681 | | |
| 8 | 54150-704-020 | ROD B, change | 1 | 1 | F40-122681 | | |
| 9 | 54510-704-000 | WIRE, change | 1 | 1 | F40-122681 | | |
| 10 | 54471-704-010 | STOPPER, change rod | 1 | 1 | F40-122681 | | |
| 11 | 54472-704-000 | BEARING, change rod..... | 1 | 1 | F40-122681 | | |
| 12 | 66111-704-010 | BOARD, column dish | 1 | 1 | F40-122681 | | |
| 13 | 54140-704-000 | ROD A, change | 1 | | F40-122681 | | |
| | 54140-704-820 | ROD A, change | | 1 | F40-122681 | | |
| 14 | 35100-704-000 | SWITCH ASSY., combination | 1 | | F40-122681 | | |
| 15 | 50110-704-010 | COLUMN, handle | 1 | | F40-122681 | | |
| | 50110-704-810 | COLUMN, handle | | 1 | F40-122681 | | |
| 16 | 92000-10022 | BOLT, hex., 10x22 | 2 | 2 | | | |
| 17 | 94111-10000 | WASHER, spring, 10mm..... | 2 | 2 | | | |
| 18 | 93500-O5010 | SCREW, cross, 5x10 | 3 | 3 | | | |
| 19 | 94101-O5000 | WASHER, flat, 5 mm | 3 | 3 | | | |
| 20 | 94201-16200 | PIN, cotter, 1.6 mm | 1 | 1 | | | |
| 21 | 94001-O6000 | NUT, hex., 6 mm | 2 | 2 | | | |
| 22 | 94101-O6000 | WASHER, flat, 6 mm..... | 2 | 2 | | | |

F-6 Handle Column



F-7 Oil Bath Air Cleaner



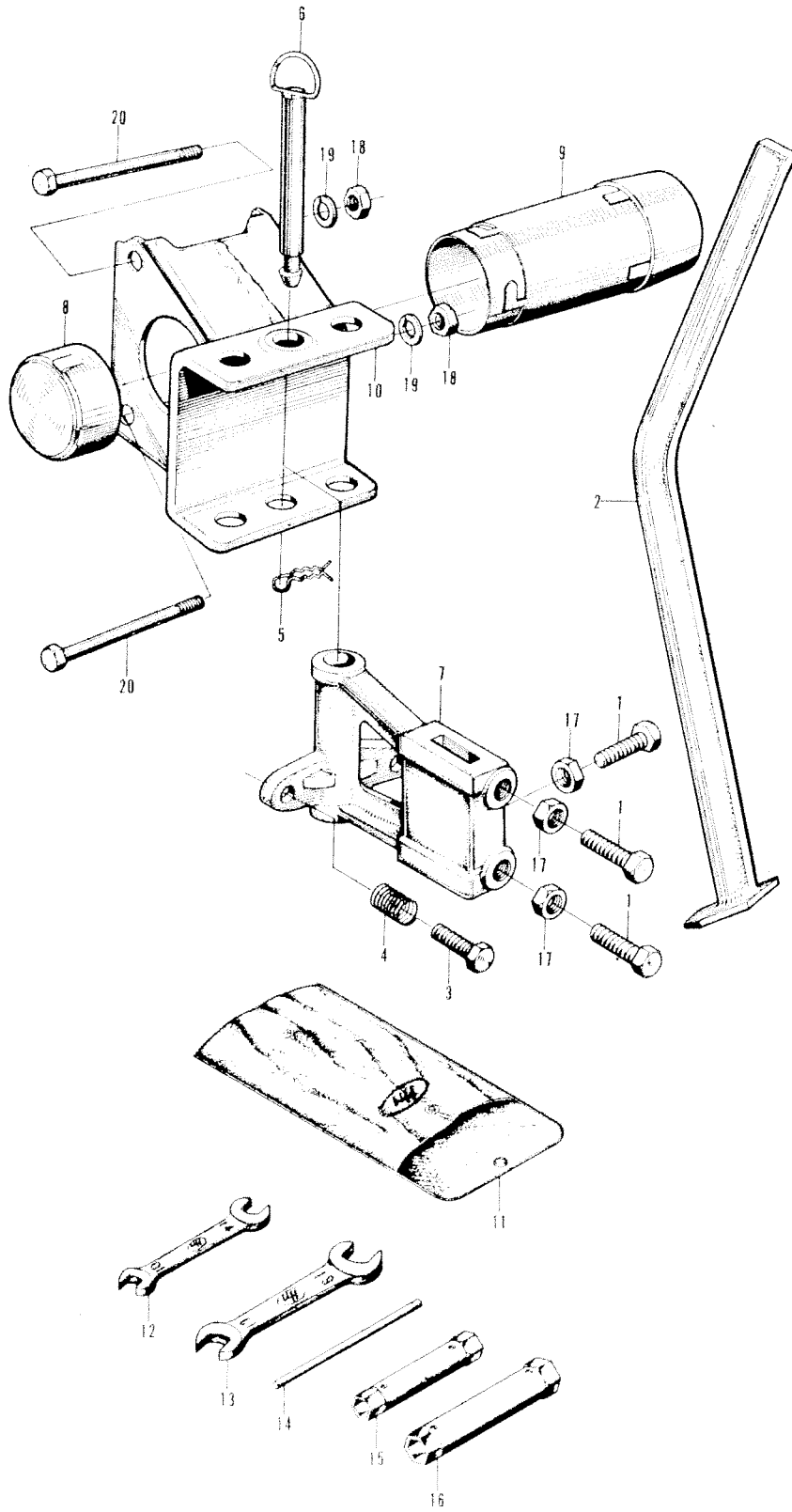
F-7 Oil Bath Air Cleaner

| Ref. No. | Part No. | Description | Reqd. No. | | No. Used on | | Remarks |
|----------|---------------|------------------------------------|-----------|------|-------------|----|---------|
| | | | F40T | F40F | From | To | |
| 1 | 15761-704-000 | PIPE, breather | 1 | 1 | F40-122681 | | |
| 2 | 90352-704-000 | NUT, wing, 6 ϕ | 1 | 1 | F40-122681 | | |
| 3 | 17401-704-000 | CASE, air cleaner | 1 | 1 | F40-122681 | | |
| 4 | 17441-704-611 | PAN, oil | 1 | | F40-122681 | | |
| 5 | 17441-704-620 | PAN, oil | | 1 | F40-122681 | | |
| 6 | 17470-709-000 | MANIFOLD, air cleaner | 1 | 1 | F40-122681 | | |
| 7 | 16266-709-000 | BAND B, connecting tube | 1 | 1 | F40-122681 | | |
| 8 | 16261-709-000 | TUBE, air cleaner connecting | 1 | 1 | F40-122681 | | |
| 9 | 16265-704-000 | BAND A, connecting tube | 1 | 1 | F40-122681 | | |
| 10 | 16167-709-000 | JOINT, air cleaner manifold | 1 | 1 | F40-122681 | | |
| 11 | 16269-822-000 | PACKING, air cleaner | 1 | 1 | F40-122681 | | |
| 12 | 95002-80000 | CLIP, fuel tube, 8 ϕ | 1 | 1 | | | |
| 13 | 94111-06000 | WASHER, spring, 6 mm | 1 | 1 | | | |
| 14 | 94101-06000 | WASHER, flat, 6 mm | 1 | 1 | | | |
| 15 | 92000-10022 | BOLT, hex., 10 \times 22 | 1 | 1 | | | |
| 16 | 94111-10000 | WASHER, spring, 10 mm | 1 | 1 | | | |
| 17 | 92000-06020 | BOLT, hex., 6 \times 20 | 1 | 1 | | | |
| 18 | 93500-06010 | SCREW, cross, 6 \times 10 | 2 | 2 | | | |

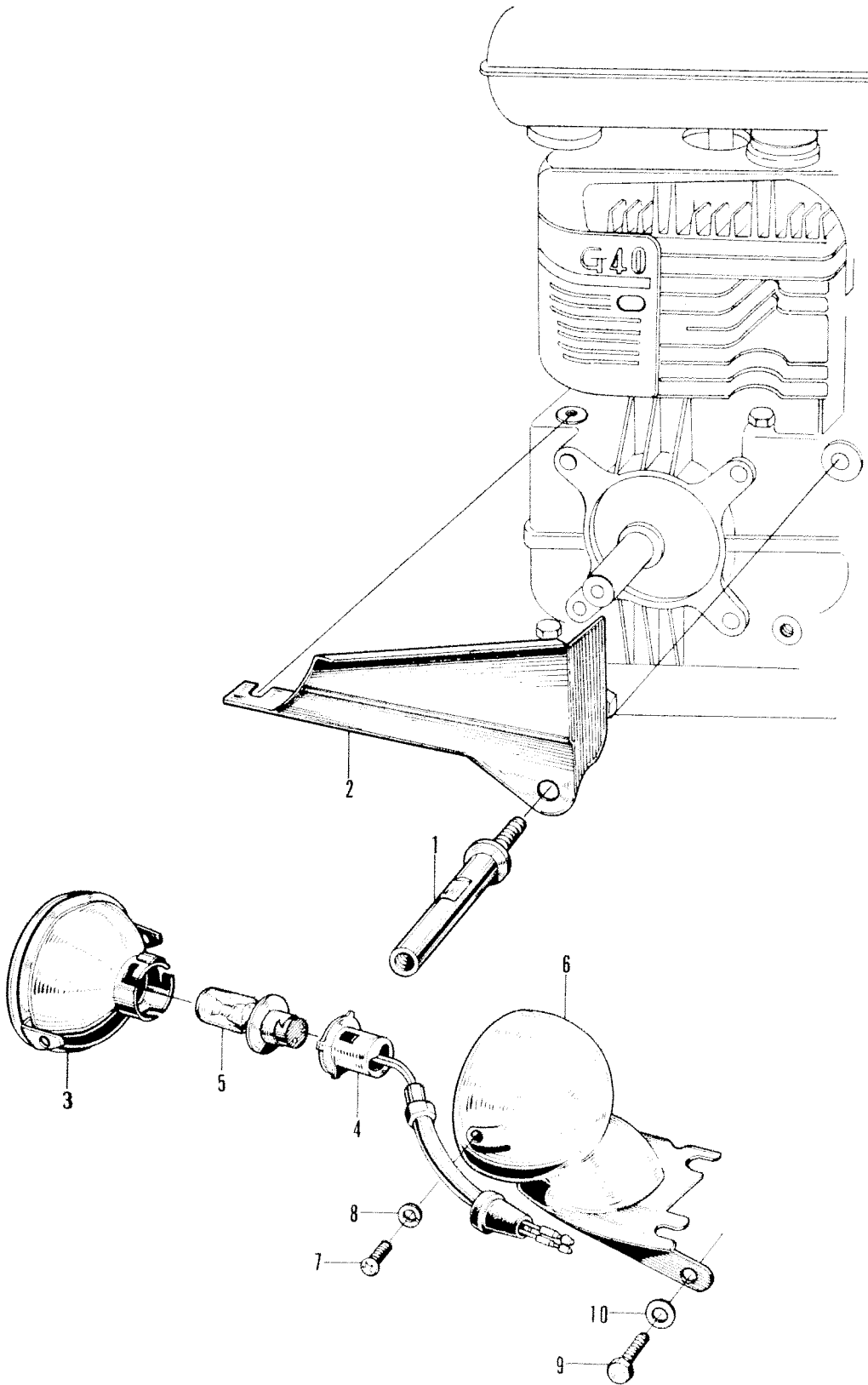
F-8 Hitch Box - Tool

| Ref. No. | Part No. | Description | Reqd. No. | | No. Used on | | Remarks |
|----------|----------------|----------------------------------|-----------|------|------------------|----|---------|
| | | | F40T | F40F | From | To | |
| 1 | 90148-700-000 | BOLT, hex., 12×38 | 3 | 3 | F40-122681 | | |
| 2 | 80311-703-810 | BAR, drag | 1 | 1 | F40-122681 | | |
| 3 | 90141-703-600 | BOLT, hex., 12×50 | 2 | 2 | F40-122681 | | |
| 4 | 50691-703-000 | SPRING, hitch joint adjust | 2 | 2 | F40-122681 | | |
| 5 | 50671-703-810 | CLIP, 16φ | 1 | 1 | F40-122681 | | |
| 6 | 51620-703-010 | PIN, weight holder | 1 | 1 | F40-122681 | | |
| 7 | 80151-703-810 | HITCH, B-type | 1 | 1 | F40-122681 | | |
| 8 | 83121-704-000 | CAP, tool | 1 | 1 | F40-122681 | | |
| 9 | 83111-704-000 | BOX, tool | 1 | 1 | F40-122681 | | |
| 10 | 50610-704-000N | BOX, hitch | 1 | 1 | F40-122681 | | |
| 11 | 83151-805-000 | BAG, tool | 1 | 1 | F40-122681 | | |
| 12 | 99001-10140 | SPANNER, open end, 10×14 | 1 | 1 | | | |
| 13 | 99001-17190 | SPANNER, open end, 17×19 | 1 | 1 | | | |
| 14 | 89219-805-000 | HANDLE, box wrench | 1 | 1 | F40-122681 | | |
| 15 | 89214-700-000 | SOCKET, 10×14 | 1 | 1 | F40-122681 | | |
| 16 | 89216-704-000 | WRENCH, sparking plug | 1 | 1 | F40-122681 | | |
| 17 | 94002-12000 | NUT, thin, 12 mm | 3 | 3 | | | |
| 18 | 94001-10000 | NUT, hex., 10 mm | 2 | 2 | | | |
| 19 | 94111-10000 | WASHER, spring, 10 mm | 2 | 2 | | | |
| 20 | 92000-10100 | BOLT, hex., 10×100 | 2 | 2 | | | |

F-8 Hitch Box · Tool



F-9 Head Light



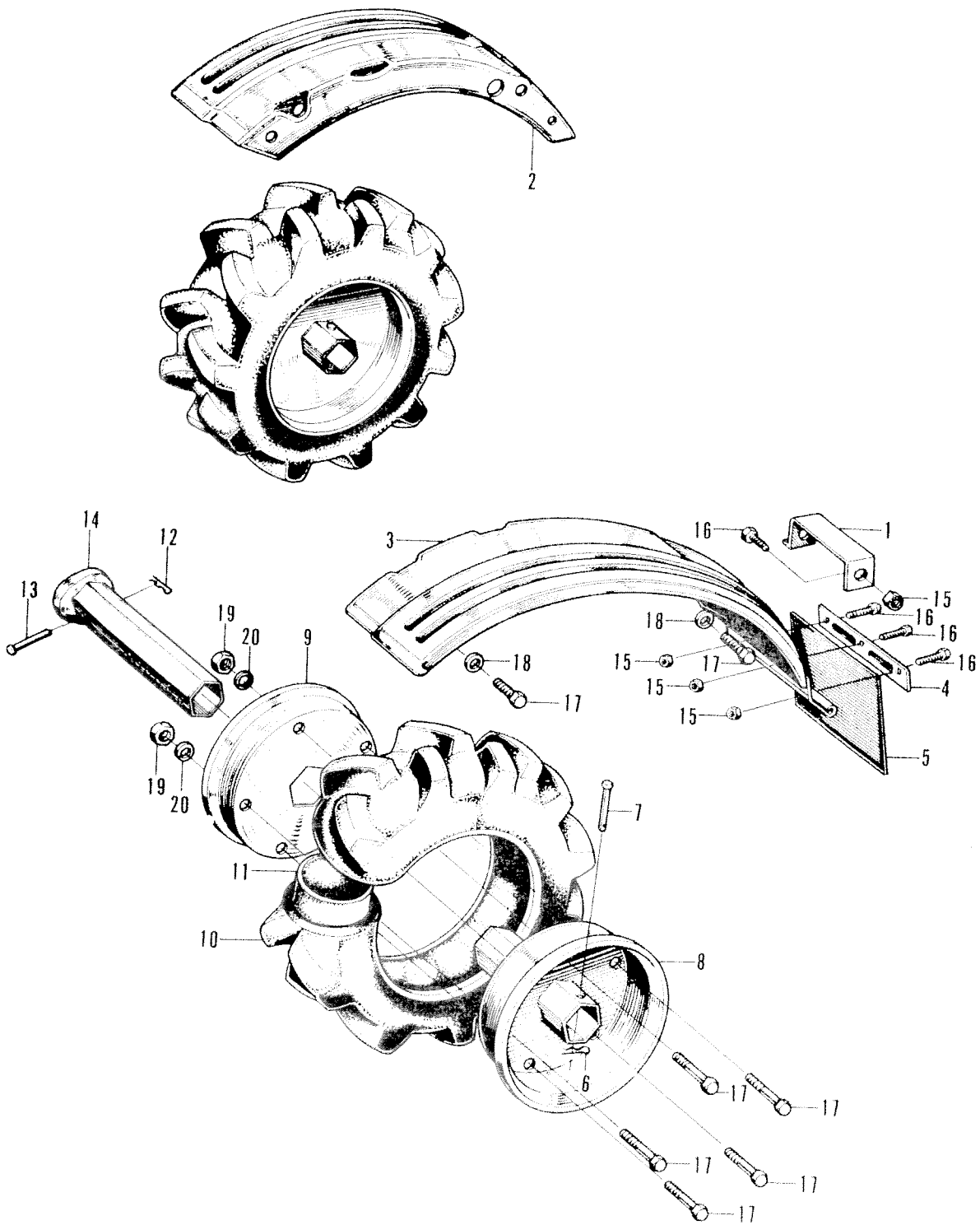
F-9 Head Light

| Ref. No. | Part No. | Description | Reqd. No. | | No. Used on | | Remarks |
|----------|---------------|--------------------------------|-----------|-------|-------------|----|---------|
| | | | F 40T | F 40F | From | To | |
| 1 | 90091-704-020 | SCREW, cover support..... | 1 | 1 | F 40-122681 | | |
| 2 | 11901-704-000 | PLATE, bottom guide | 1 | 1 | F 40-122681 | | |
| 3 | 33110-704-000 | LIGHT-UNIT, head | 1 | | F 40-122681 | | |
| 4 | 33120-704-305 | SOCKET ASSY., head light | 1 | | F 40-122681 | | |
| 5 | 34901-030-000 | BULB, head light | 1 | | F 40-122681 | | |
| 6 | 33130-704-000 | BODY, head light | 1 | | F 40-122681 | | |
| 7 | 93500-05008 | SCREW, cross, 5x8 | 2 | | | | |
| 8 | 94111-05000 | WASHER, spring, 5 mm | 2 | | | | |
| 9 | 92000-08016 | BOLT, hex., 8x16 | 1 | 1 | | | |
| 10 | 94101-08000 | WASHER, flat, 8 mm..... | 1 | 1 | | | |

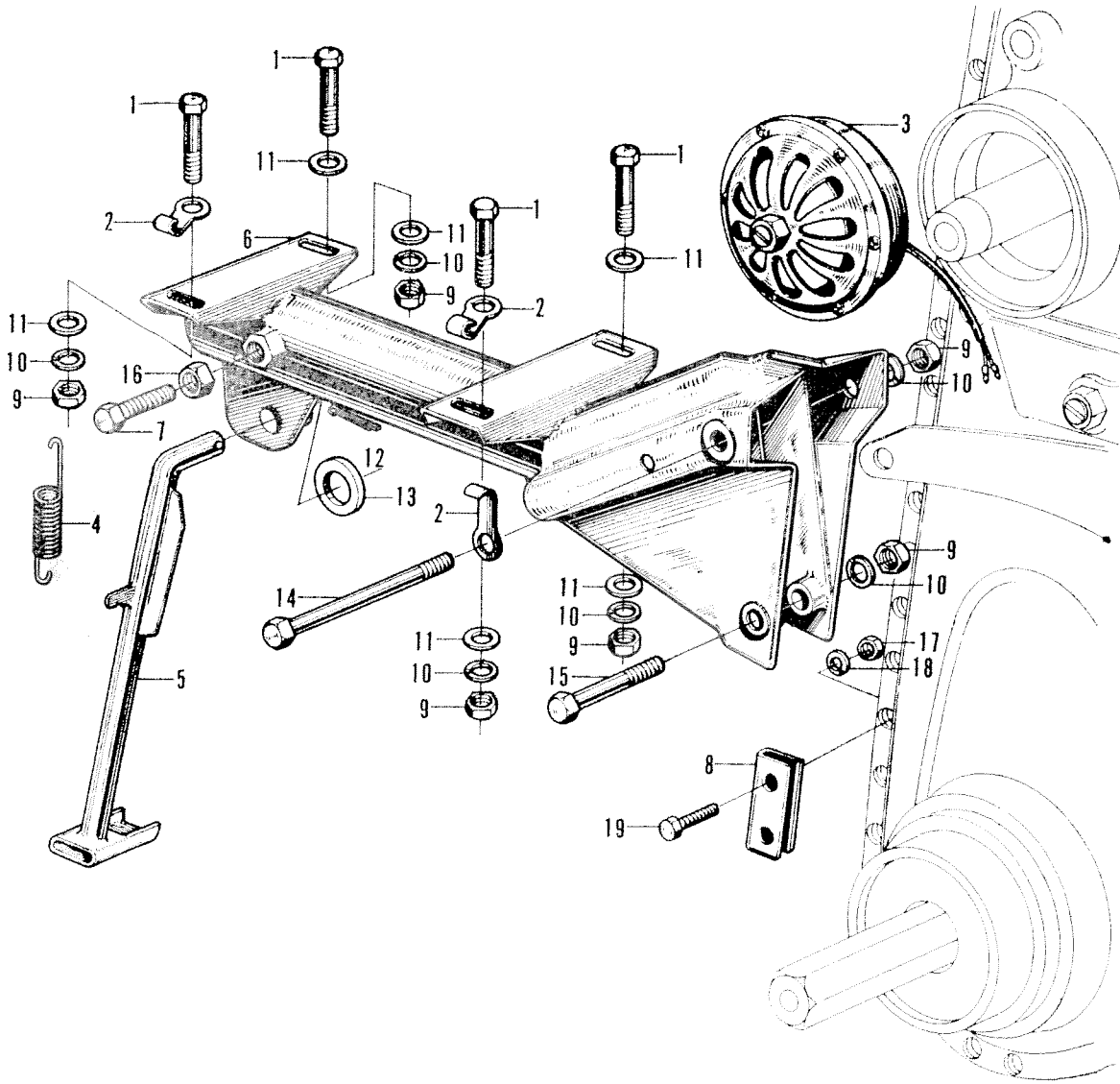
F-10 Wheel

| Ref. No. | Part No. | Description | Reqd. No. | | No. Used on | | Remarks |
|----------|----------------|--------------------------------------|-----------|------|------------------|----|---------|
| | | | F40I | F40F | From | To | |
| 1 | 61151-704-000 | STAY, fender | 1 | 1 | F40-122681 | | |
| 2 | 61110-704-000N | FENDER, right | 1 | 1 | F40-122681 | | |
| 3 | 61210-704-000N | FENDER, left | 1 | 1 | F40-122681 | | |
| 4 | 61771-704-000 | BAR, mudguard | 2 | 2 | F40-122681 | | |
| 5 | 61711-704-000 | MUDGUARD | 2 | 2 | F40-122681 | | |
| 6 | 90652-700-000 | PIN, snap, 9 ϕ | 2 | 2 | F40-122681 | | |
| 7 | 90753-703-000 | PIN, round head, 9 \times 54 | 2 | 2 | F40-122681 | | |
| 8 | 42701-703-010N | WHEEL A, 300D \times 8 | 2 | 2 | F40-122681 | | |
| 9 | 42702-703-010N | WHEEL B, 300D \times 8 | 2 | 2 | F40-122681 | | |
| 10 | 42751-703-000 | TIRE, 400 \times 8 | 2 | 2 | F40-122681 | | |
| 11 | 42752-703-010 | TUBE, 400 \times 8 | 2 | 2 | F40-122681 | | |
| 12 | 90651-703-000 | PIN, snap, 7 ϕ | 2 | 2 | F40-122681 | | |
| 13 | 90754-703-000 | PIN, round head, 7 \times 55 | 2 | 2 | F40-122681 | | |
| 14 | 42400-703-000 | SHAFT, pipe | 2 | 2 | F40-122681 | | |
| 15 | 94001-O6000 | NUT, hex., 6 mm | 8 | 8 | | | |
| 16 | 92000-O6012 | BOLT, hex., 6 \times 12 | 8 | 8 | | | |
| 17 | 92000-O8016 | BOLT, hex., 8 \times 16 | 14 | 14 | | | |
| 18 | 94101-O8000 | WASHER, flat, 8 mm | 4 | 4 | | | |
| 19 | 94001-O8000 | NUT, hex., 8 mm..... | 10 | 10 | | | |
| 20 | 94111-O8000 | WASHER, spring, 8 mm | 10 | 10 | | | |

F-10 Wheel



F-11 Engineframe



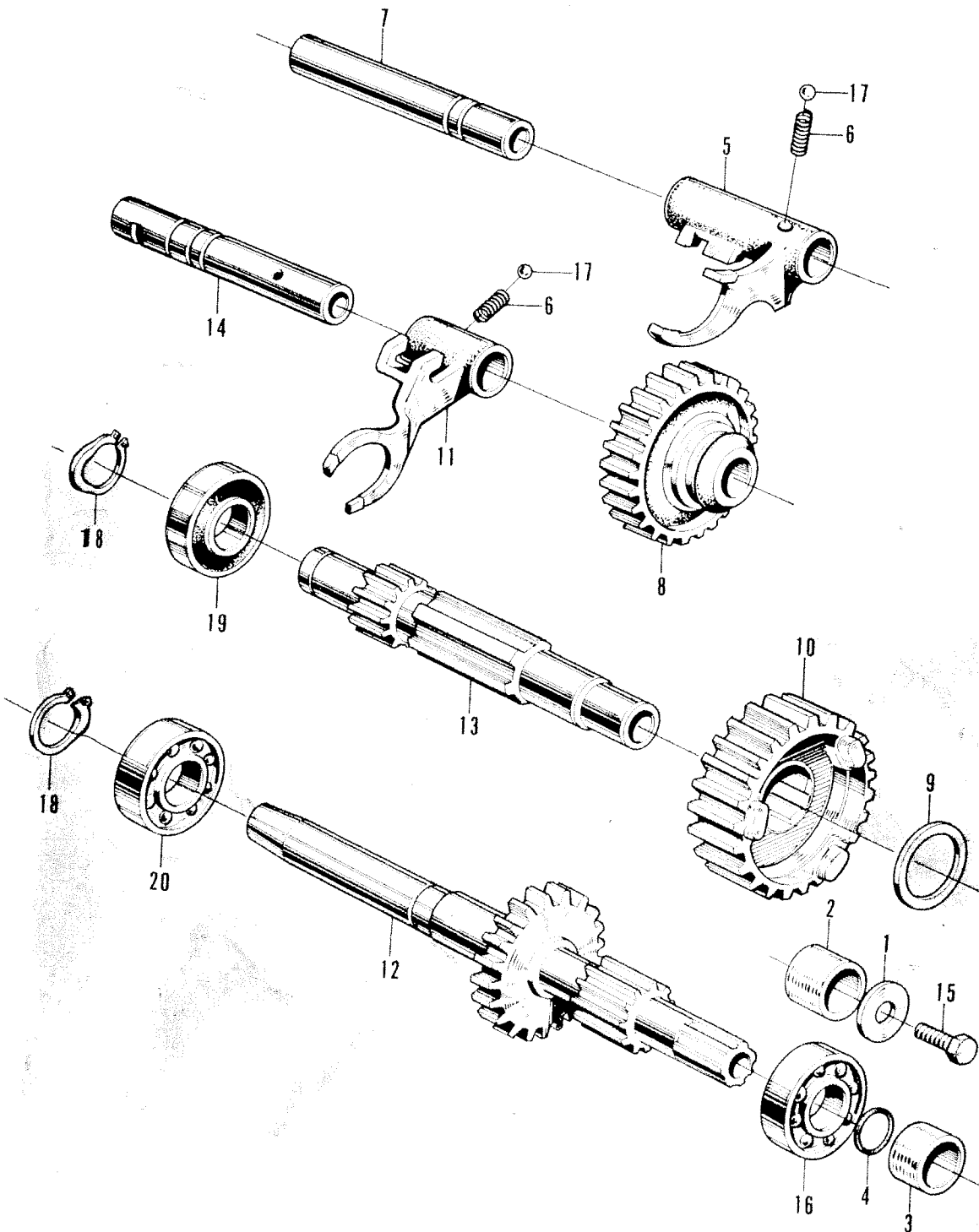
F-11 Engineframe

| Ref. No. | Part No. | Description | Reqd. No. | | No. Used on | | Remark |
|----------|----------------|-----------------------------|-----------|------|------------------|----|--------|
| | | | F40T | F40F | From | To | |
| 1 | 90131-704-000 | BOLT, hex., 10×38 | 4 | 4 | F40-122681 | | |
| 2 | 32905-704-000 | BINDER, cord | 3 | 3 | F40-122681 | | |
| 3 | 38100-704-000 | HORN ASSY. | 1 | 1 | F40-122681 | | |
| 4 | 51521-704-000 | SPRING, stand | 1 | 1 | F40-122681 | | |
| 5 | 51510-704-010 | STAND | 1 | 1 | F40-122681 | | |
| 6 | 51110-704-010N | ENGINEFRAME | 1 | 1 | F40-122681 | | |
| 7 | 90133-704-010 | BOLT, hex., 12×35 | 1 | 1 | F40-122681 | | |
| 8 | 21801-704-010 | PLATE, combination | 1 | 1 | F40-122681 | | |
| 9 | 94001-10000 | NUT, hex., 10 mm | 6 | 6 | | | |
| 10 | 94111-10000 | WASHER, spring, 10 mm | 6 | 6 | | | |
| 11 | 94101-10000 | WASHER, flat, 10 mm | 6 | 6 | | | |
| 12 | 94201-30200 | PIN, cotter, 3.0 mm | 1 | 1 | | | |
| 13 | 94101-12000 | WASHER, flat, 12 mm | 1 | 1 | | | |
| 14 | 92000-10100 | BOLT, hex., 10×100 | 1 | 1 | | | |
| 15 | 92000-10050 | BOLT, hex., 10×50 | 1 | 1 | | | |
| 16 | 94001-12000 | NUT, hex., 12 mm | 1 | 1 | | | |
| 17 | 94001-06000 | NUT, hex., 6 mm | 1 | 1 | | | |
| 18 | 94111-06000 | WASHER, spring, 6 mm | 1 | 1 | | | |
| 19 | 92000-06018 | BOLT, hex., 6×18 | 1 | 1 | | | |

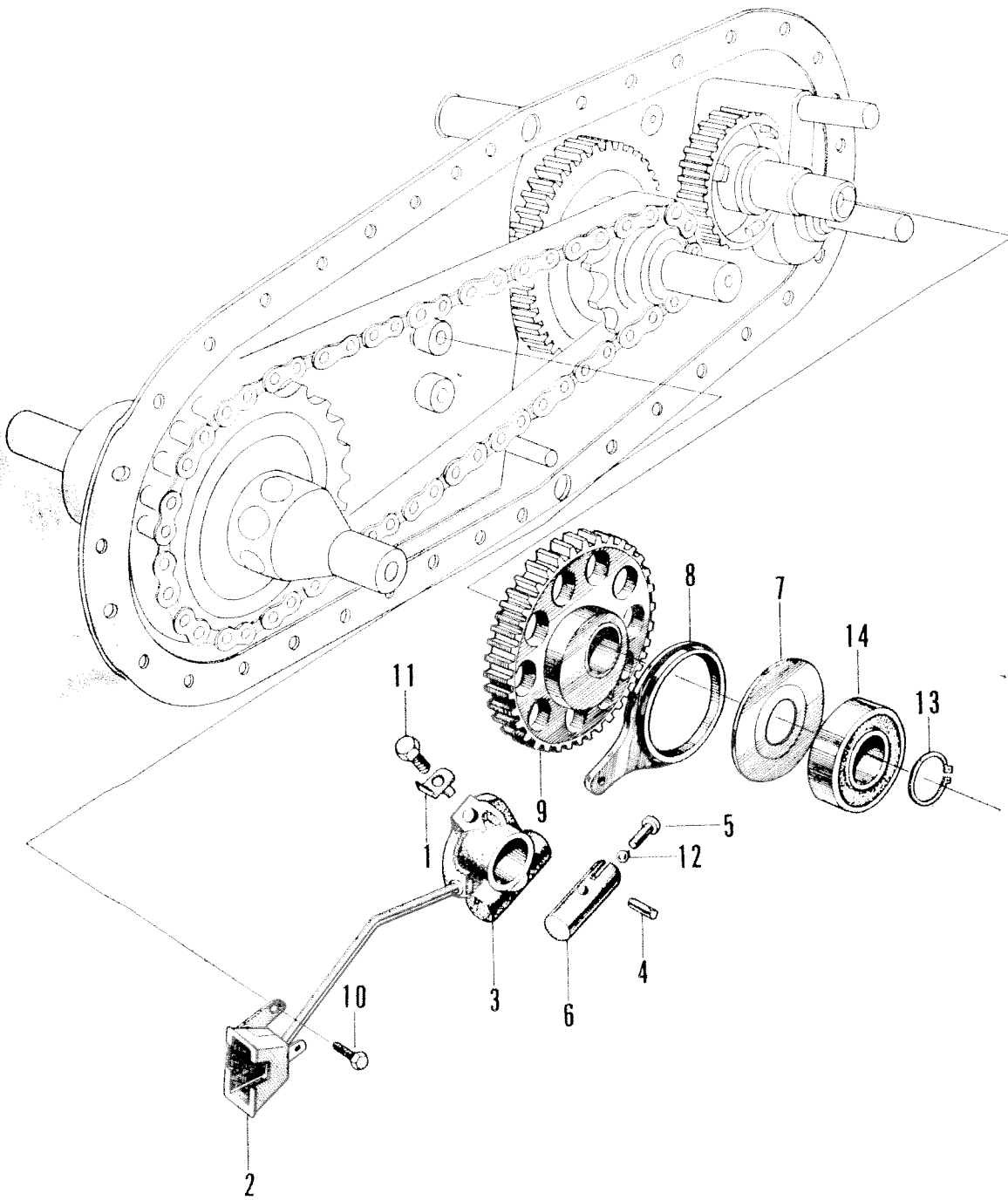
F-12 Mission

| Ref. No. | Part No. | Description | Reqd. No. | | No. Used on | | Remarks |
|----------|---------------|-----------------------------|-----------|------|------------------|----|---------|
| | | | F40T | F40F | From | To | |
| 1 | 90471-703-000 | WASHER B, 8 mm | 1 | 1 | F40-122681 | | |
| 2 | 23716-703-000 | COLLAR, shaft | 1 | 1 | F40-122681 | | |
| 3 | 23715-704-303 | COLLAR, P.T.O. shaft | 1 | 1 | F40-122681 | | |
| 4 | 91305-703-000 | O-RING, 20 mm | 1 | 1 | F40-122681 | | |
| 5 | 24221-704-000 | FORK B, shift | 1 | 1 | F40-122681 | | |
| 6 | 24271-700-000 | SPRING, ball setting | 2 | 2 | F40-122681 | | |
| 7 | 24111-704-000 | SHAFT, shift fork | 1 | 1 | F40-122681 | | |
| 8 | 23580-704-000 | GEAR, reverse | 1 | 1 | F40-122681 | | |
| 9 | 90453-704-000 | WASHER, thrust, 22 mm | 1 | 1 | F40-122681 | | |
| 10 | 23571-704-000 | GEAR, shifter | 1 | 1 | F40-122681 | | |
| 11 | 24211-704-000 | FORK A, shift | 1 | 1 | F40-122681 | | |
| 12 | 23220-704-020 | SHAFT, drive | 1 | 1 | F40-122681 | | |
| 13 | 23211-704-010 | SHAFT, mission | 1 | 1 | F40-122681 | | |
| 14 | 23281-704-000 | SHAFT, reverse | 1 | 1 | F40-122681 | | |
| 15 | 92000-08025 | BOLT, hex., 8x25 | 1 | 1 | | | |
| 16 | 96100-62040 | BEARING, ball, 6204 | 1 | 1 | | | |
| 17 | 96211-08000 | BALL, steel, #8 | 2 | 2 | | | |
| 18 | 94510-20120 | CIR-CLIP, 20 mm | 2 | 2 | | | |
| 19 | 96140-63040 | BEARING, ball, 6304R | 1 | 1 | | | |
| 20 | 96140-62040 | BEARING, ball, 6204R | 1 | 1 | | | |

F-12 Mission



F-13 Oil Pump



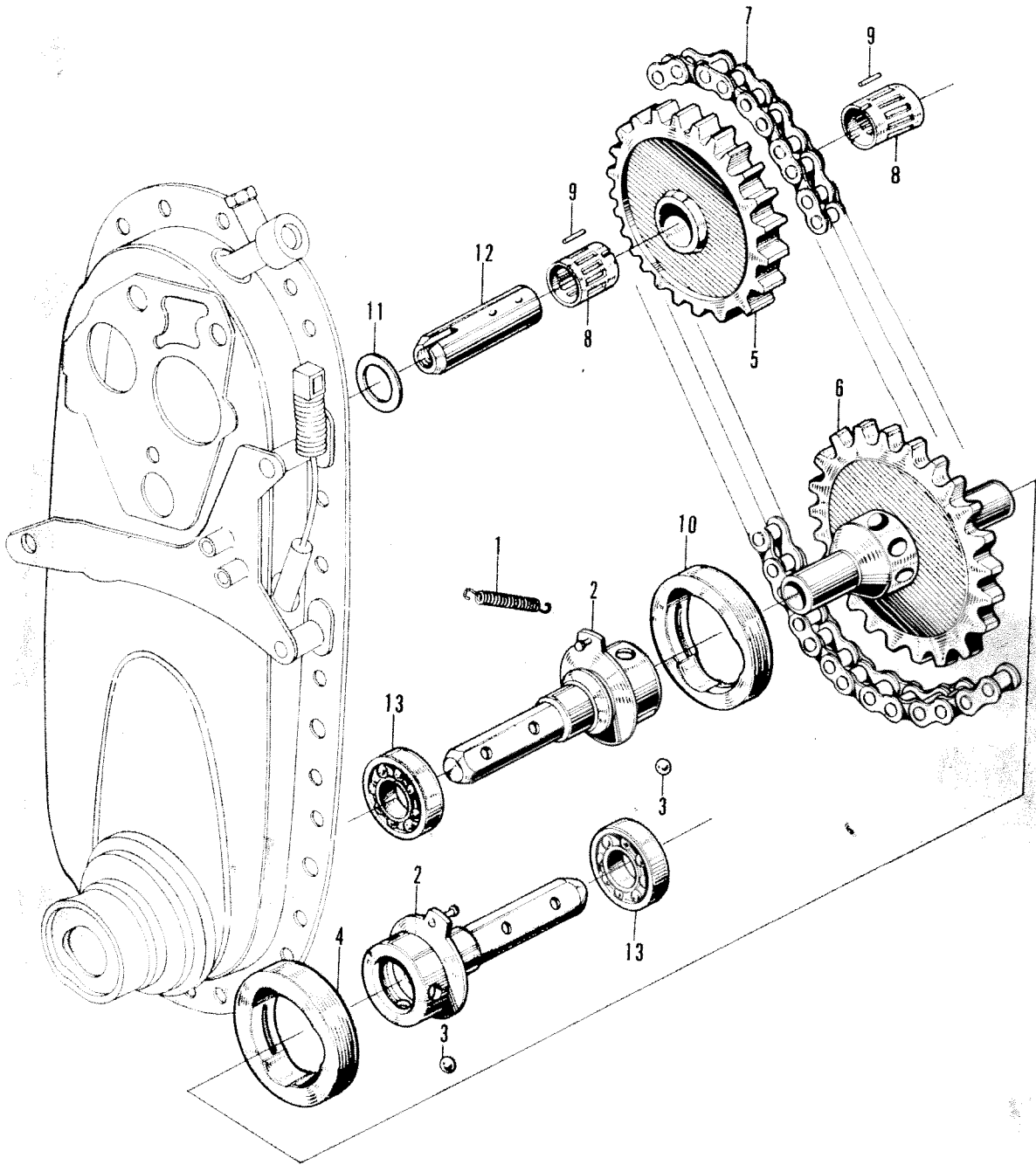
F-13 Oil Pump

| Ref. No. | Part No. | Description | Reqd. No. | | No. Used on | | Remarks |
|----------|---------------|-------------------------|-----------|------|-------------|----|---------|
| | | | F40T | F40F | From | To | |
| 1 | 90432-704-000 | WASHER, locking, 6 mm | 1 | 1 | F 40-122681 | | |
| 2 | 15420-704-000 | FILTER, oil | 1 | 1 | F 40-122681 | | |
| 3 | 15211-704-000 | BODY, oil pump | 1 | 1 | F 40-122681 | | |
| 4 | 25235-704-000 | PIN, 4.5 mm | 1 | 1 | F 40-122681 | | |
| 5 | 25275-704-000 | STOPPER, ball | 1 | 1 | F 40-122681 | | |
| 6 | 25231-704-000 | PLUNGER, oil pump | 1 | 1 | F 40-122681 | | |
| 7 | 90452-704-000 | WASHER B, thrust, 20 mm | 1 | 1 | F 40-122681 | | |
| 8 | 25280-704-000 | ARM, pump connecting | 1 | 1 | F 40-122681 | | |
| 9 | 23411-704-000 | GEAR, low | 1 | 1 | F 40-122681 | | |
| 10 | 92000-06006 | BOLT, hex., 6x6 | 2 | 2 | | | |
| 11 | 92000-06012 | BOLT, hex., 6x12 | 1 | 1 | | | |
| 12 | 96211-07000 | BALL, steel, #7 | 1 | 1 | | | |
| 13 | 94510-20120 | CIR-CLIP, 20 mm | 1 | 1 | | | |
| 14 | 96140-62040 | BEARING, ball, 6204R | 1 | 1 | | | |

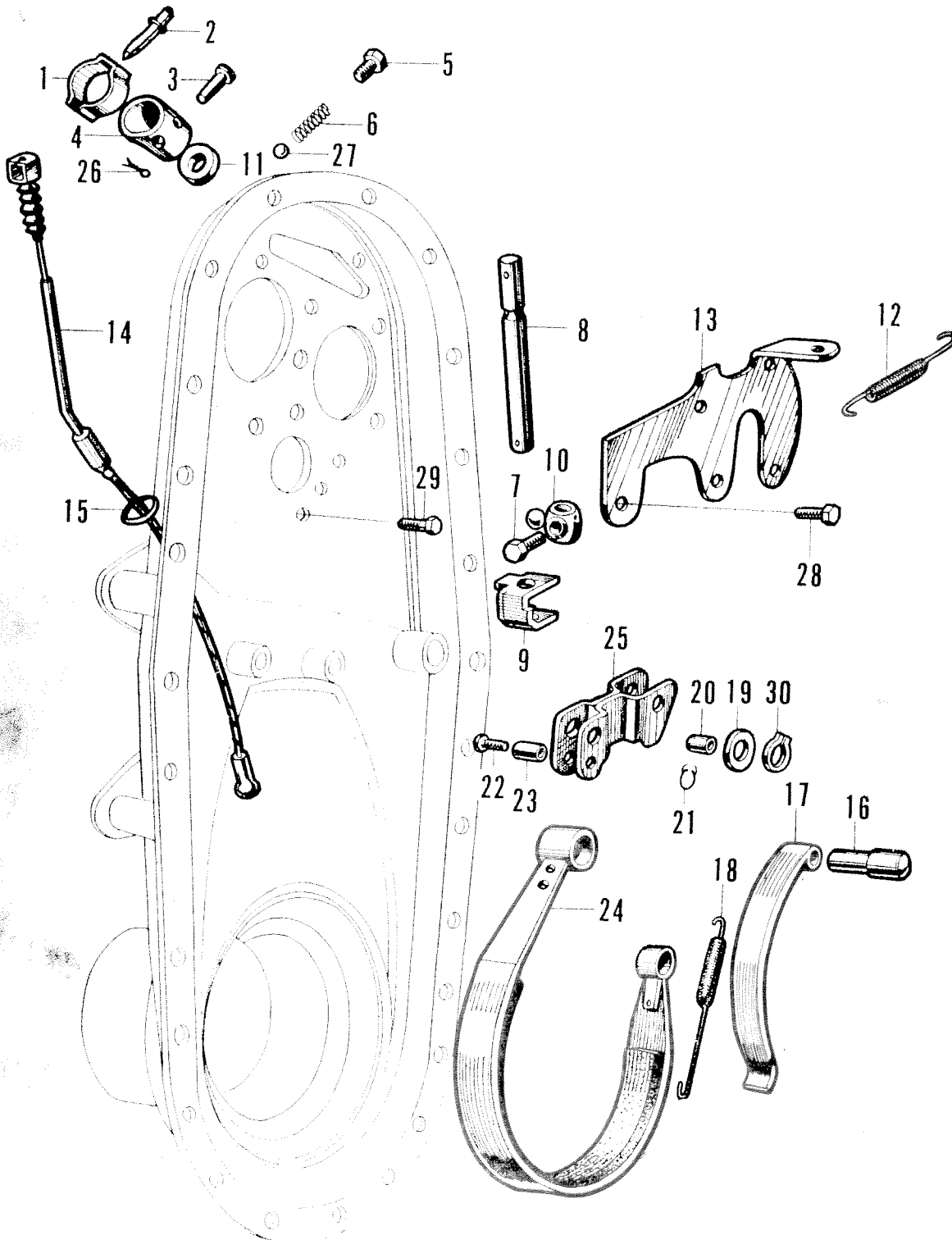
F-14 Wheel Shaft

| Ref. No. | Part No. | Description | Reqd. No. | | No. Used on | | Remarks |
|----------|---------------|--------------------------------|-----------|------|-------------|----|---------------|
| | | | F40T | F40F | From | To | |
| 1 | 40171-704-000 | SPRING, outer return | 2 | 2 | F40-122681 | | 6301 |
| 2 | 23370-704-020 | SHAFT, wheel | 2 | 2 | F40-122681 | | |
| 3 | 90921-704-000 | BALL, steel, 5/8 | 6 | 6 | F40-122681 | | |
| 4 | 40110-704-030 | OUTER, right side clutch | 1 | 1 | F40-122681 | | |
| 5 | 23675-704-000 | SPROCKET, drive | 1 | 1 | F40-122681 | | 23675-704-000 |
| 6 | 23685-704-010 | SPROCKET, driven | 1 | 1 | F40-122681 | | 23685-704-010 |
| 7 | 23651-704-000 | CHAIN, drive | 1 | 1 | F40-122681 | | 010 |
| 8 | 91023-703-010 | BEARING, needle, 202423 | 2 | 2 | F40-122681 | | |
| 9 | 91105-701-000 | ROLLER, rod, 2x13.8 | 44 | 44 | F40-122681 | | |
| 10 | 40120-704-030 | OUTER, left side clutch | 1 | 1 | F40-122681 | | |
| 11 | 90451-704-000 | WASHER A, thrust, 20 mm | 1 | 1 | F40-122681 | | |
| 12 | 23671-704-000 | SHAFT, drive sprocket..... | 1 | 1 | F40-122681 | | |
| 13 | 96100-62060 | BEARING, ball, 6206 | 2 | 2 | | | |

F-14 Wheel Shaft



F-15 Change Shaft · Brake Shoe



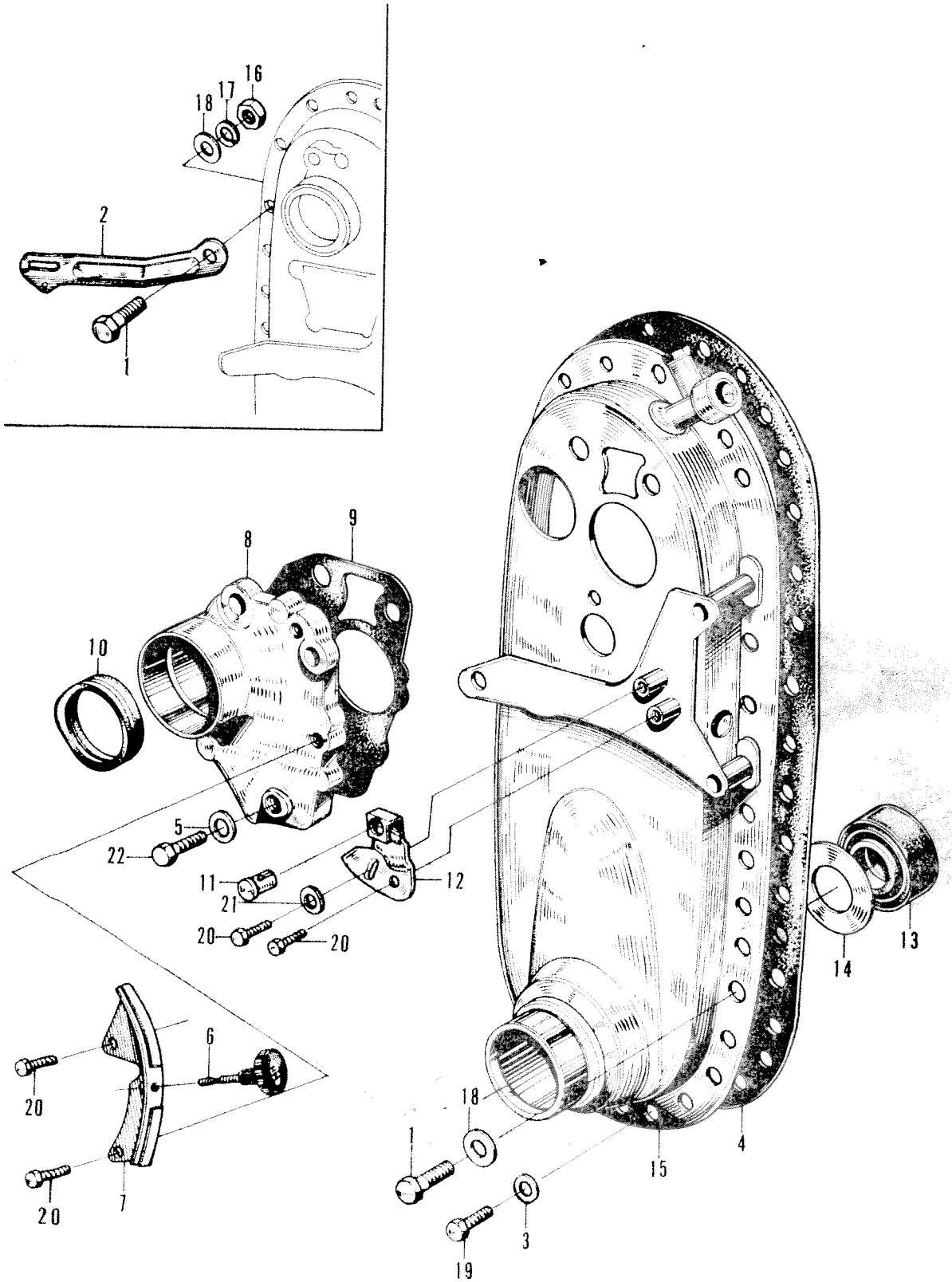
F-15 Change Shaft · Brake Shoe

| Ref. No. | Part No. | Description | Reqd. No. | | No. Used on | | Remarks |
|----------|---------------|-----------------------------|-----------|------|-------------|----|---------|
| | | | F40T | F40F | From | To | |
| 1 | 54172-704-000 | CLIP, joint pin | 1 | 1 | F40-122681 | | |
| 2 | 54171-704-000 | JOINT, 5×25 | 1 | 1 | F40-122681 | | |
| 3 | 24517-704-000 | PIN, 5φ | 1 | 1 | F40-122681 | | |
| 4 | 24531-704-010 | JOINT, change shaft | 1 | 1 | F40-122681 | | |
| 5 | 90086-700-000 | BOLT, hex., 8×8 | 1 | 1 | F40-122681 | | |
| 6 | 24271-700-000 | SPRING, ball setting | 1 | 1 | F40-122681 | | |
| 7 | 90021-700-010 | SCREW, fork setting | 1 | 1 | F40-122681 | | |
| 8 | 24511-704-010 | SHAFT, change | 1 | 1 | F40-122681 | | |
| 9 | 24301-704-000 | LOCK, inter | 1 | 1 | F40-122681 | | |
| 10 | 24611-704-000 | LEVER, change | 1 | 1 | F40-122681 | | |
| 11 | 91201-704-000 | OIL-SEAL, PJ10227 | 1 | 1 | F40-122681 | | |
| 12 | 24631-704-000 | SPRING, change shaft return | 1 | 1 | F40-122681 | | |
| 13 | 23902-704-000 | STOPPER, bearing | 1 | 1 | F40-122681 | | |
| 14 | 40310-704-010 | WIRE A, side clutch | 1 | 1 | F40-122681 | | |
| 15 | 91301-704-000 | O-RING, 6 mm | 1 | 1 | F40-122681 | | |
| 16 | 23662-704-000 | SHAFT, tensioner | 1 | 1 | F40-122681 | | |
| 17 | 23661-704-000 | TENSIONER, chain | 1 | 1 | F40-122681 | | |
| 18 | 40175-704-000 | SPRING, brake return | 1 | 1 | F40-122681 | | |
| 19 | 90472-704-000 | WASHER B, 12 mm | 1 | 1 | F40-122681 | | |
| 20 | 40153-704-000 | COLLAR B, brake band | 1 | 1 | F40-122681 | | |
| 21 | 90601-704-000 | CIR-CLIP, 6 mm | 1 | 1 | F40-122681 | | |
| 22 | 40151-704-000 | PIN, brake shoe | 1 | 1 | F40-122681 | | |
| 23 | 40152-704-000 | COLLAR A, brake band | 1 | 1 | F40-122681 | | |
| 24 | 40140-704-020 | SHOE, brake | 1 | 1 | F40-122681 | | |
| 25 | 40130-704-010 | ARM, brake | 1 | 1 | F40-122681 | | |
| 26 | 94201-16100 | PIN, cotter, 1.6 mm | 1 | 1 | | | |
| 27 | 96211-08000 | BALL, steel, #8 | 1 | 1 | | | |
| 28 | 92000-06014 | BOLT, hex., 6×14 | 5 | 5 | | | |
| 29 | 92000-06012 | BOLT, hex., 6×12 | 9 | 9 | | | |
| 30 | 94510-10100 | CIR-CLIP, 10 mm | 1 | 1 | | | |

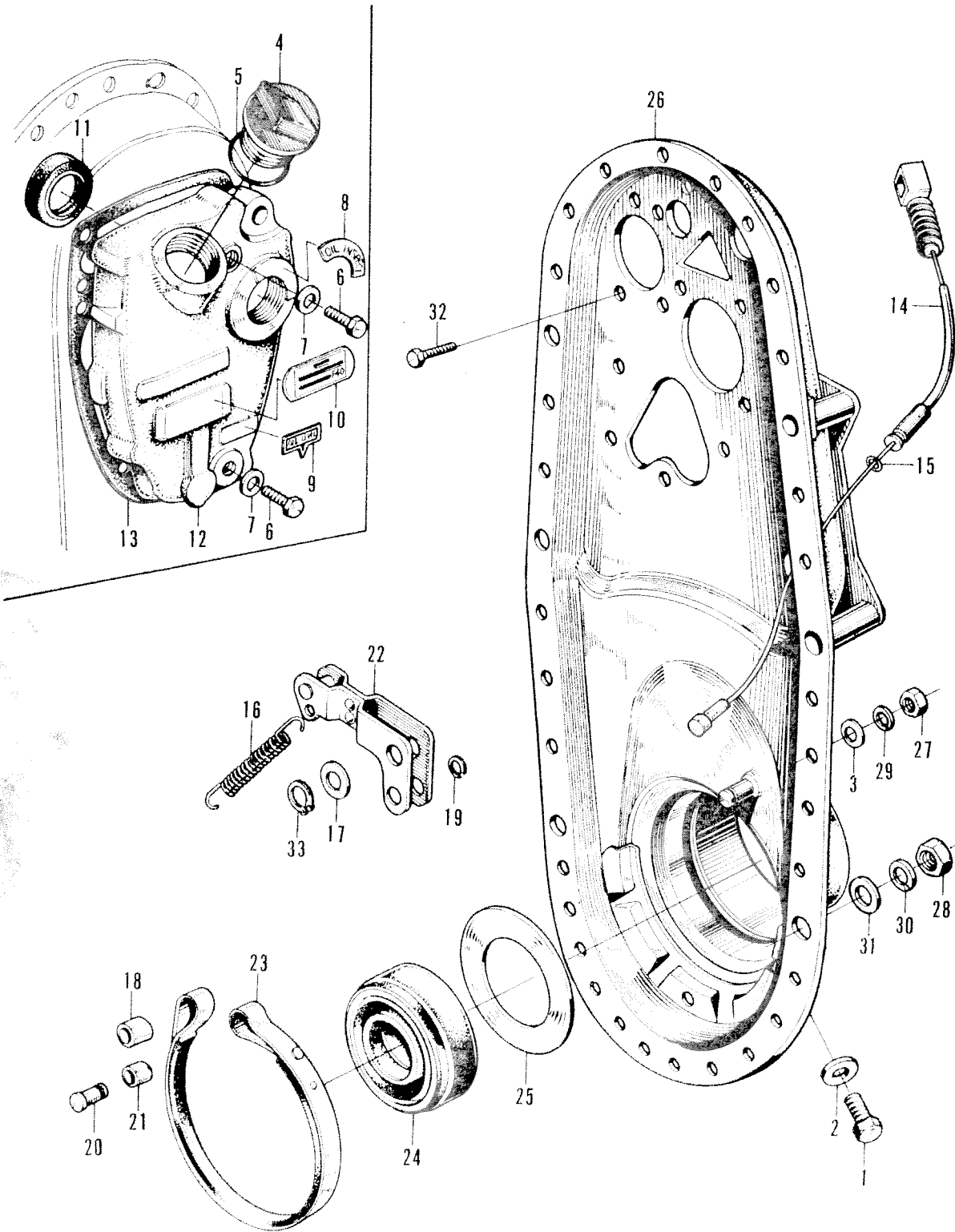
F-16 Left Case

| Ref. No. | Part No. | Description | Reqd. No. | | No. Used on | | Remarks |
|----------|---------------|--|-----------|------|-------------|----|---------|
| | | | F40T | F40F | From | To | |
| 1 | 90081-704-010 | BOLT, knock, 10 mm | 1 | 1 | F 40-122681 | | |
| 2 | 11801-709-010 | STAY, engine | 1 | 1 | F 40-122681 | | |
| 3 | 90474-704-000 | WASHER, 6x17 | 23 | 23 | F 40-122681 | | |
| 4 | 21191-704-010 | PACKING, case | 1 | 1 | F 40-122681 | | |
| 5 | 90488-700-000 | WASHER A, 8 mm | 1 | 1 | F 40-122681 | | |
| 6 | 21821-704-000 | LATCH A, belt cover | 1 | 1 | F 40-122681 | | |
| 7 | 21811-704-020 | STAY, belt cover | 1 | 1 | F 40-122681 | | |
| 8 | 21221-704-010 | CASE, left bearing (Not sold) | 1 | 1 | F 40-122681 | | |
| | | (21221-704-010 is set in the 21210-704-030 Case, left) | | | | | |
| 9 | 21225-704-020 | PACKING, left bearing case | 1 | 1 | F 40-122681 | | |
| 10 | 91203-704-000 | OIL-SEAL, PJ58726 | 1 | 1 | F 40-122681 | | |
| 11 | 22875-704-000 | STOPPER, outer | 1 | 1 | F 40-122681 | | |
| 12 | 22874-704-000 | BRACKET, outer stopper | 1 | 1 | F 40-122681 | | |
| 13 | 91205-703-000 | WATER-SEAL, 305520 | 1 | 1 | F 40-122681 | | |
| 14 | 90473-704-000 | WASHER, 31 mm | 1 | 1 | F 40-122681 | | |
| 15 | 21210-704-030 | CASE, left | 1 | 1 | F 40-122681 | | |
| 16 | 94001-10000 | NUT, hex., 10 mm | 1 | 1 | | | |
| 17 | 94111-10000 | WASHER, spring, 10 mm | 1 | 1 | | | |
| 18 | 94101-10000 | WASHER, flat, 10 mm | 1 | 1 | | | |
| 19 | 92000-06018 | BOLT, hex., 6x18 | 23 | 23 | | | |
| 20 | 92000-06012 | BOLT, hex., 6x12 | 4 | 4 | | | |
| 21 | 94101-06000 | WASHER, flat, 6 mm | 1 | 1 | | | |
| 22 | 92000-08025 | BOLT, hex., 8x25 | 1 | 1 | | | |

F-16 Left Case



F-17 Right Case



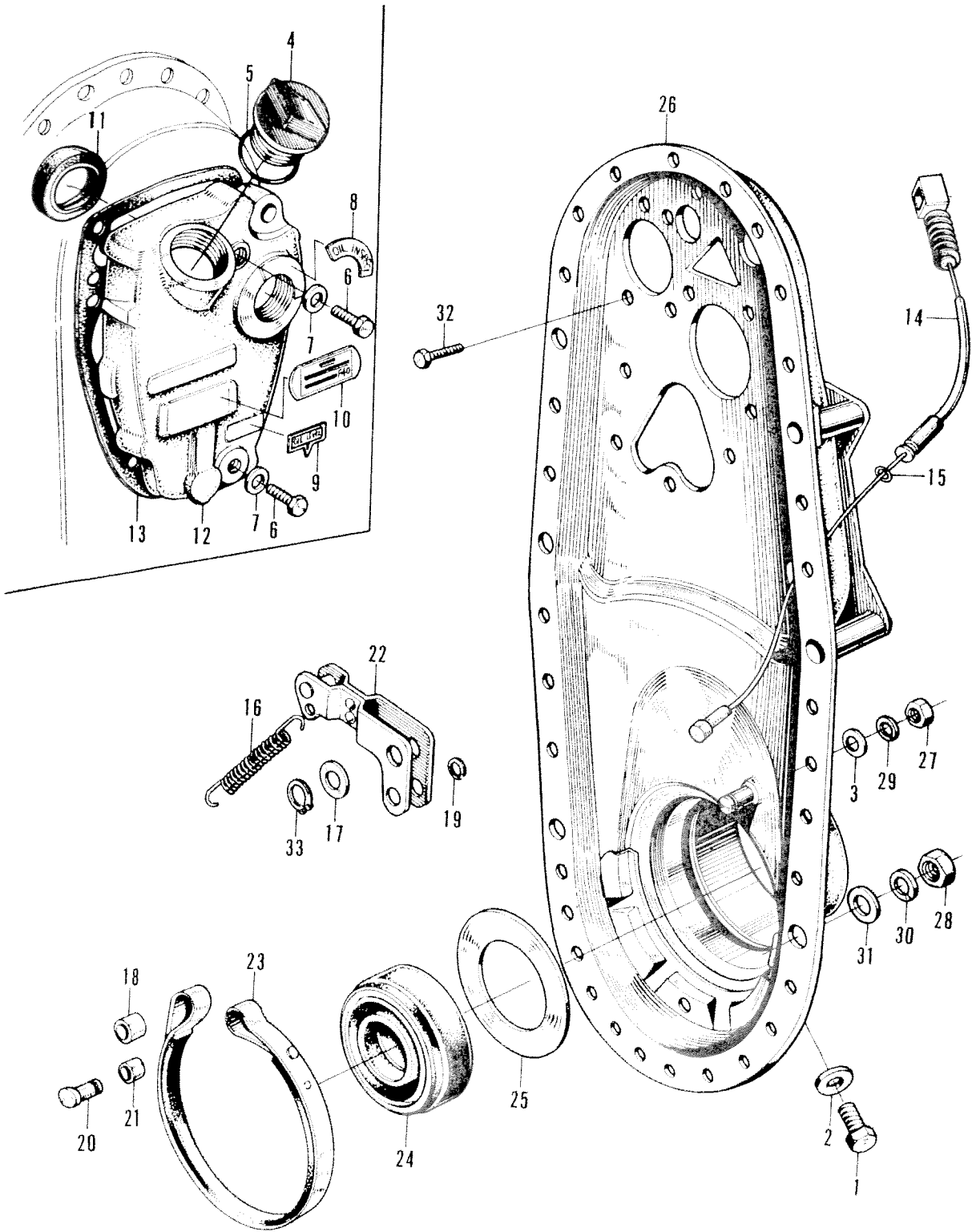
F-17 Right Case

| Ref. No. | Part No. | Description | Reqd. No. | | No. Used on | | Remarks |
|----------|---------------|---|-----------|------|-------------|----|---------|
| | | | F40T | F40F | From | To | |
| 1 | 90082-704-000 | BOLT, knock, 10×12..... | 1 | 1 | F40-122681 | | |
| 2 | 90472-704-305 | WASHER, 10 mm | 1 | 1 | F40-122681 | | |
| 3 | 90474-704-000 | WASHER, 6×17..... | 23 | 23 | F40-122681 | | |
| 4 | 25620-805-611 | CAP, reduction oil | 1 | 1 | F40-122681 | | |
| 5 | 91301-805-000 | O-RING, 66×2.7φ | 1 | 1 | F40-122681 | | |
| 6 | 25911-700-000 | BOLT, oil check | 2 | 2 | F40-122681 | | |
| 7 | 90481-250-000 | WASHER A, 6.5 mm..... | 2 | 2 | F40-122681 | | |
| 8 | 21123-704-300 | MARK A, oil check | 1 | 1 | F40-122681 | | |
| 9 | 21124-704-300 | MARK B, oil check | 1 | 1 | F40-122681 | | |
| 10 | 87501-704-000 | PLATE, registered number | 1 | 1 | F40-122681 | | |
| 11 | 91204-703-000 | OIL-SEAL, PJ26438 | 1 | 1 | F40-122681 | | |
| 12 | 21121-704-010 | CASE, right bearing (Not sold)..... | 1 | 1 | F40-122681 | | |
| | | (21121-704-010 is set in the 21110-704-010 CASE, right) | | | | | |
| 13 | 21126-704-010 | PACKING, right bearing case | 1 | 1 | F40-122681 | | |
| 14 | 40310-704-010 | WIRE A, side clutch | 1 | 1 | F40-122681 | | |
| 15 | 91301-704-000 | O-RING, 6 mm | 1 | 1 | F40-122681 | | |
| 16 | 40175-704-000 | SPRING, break return | 1 | 1 | F40-122681 | | |
| 17 | 90472-704-000 | WASHER B, 10 mm | 1 | 1 | F40-122681 | | |
| 18 | 40153-704-000 | COLLAR, break band | 1 | 1 | F40-122681 | | |
| 19 | 90601-704-000 | CIR-CLIP, 6 mm | 1 | 1 | F40-122681 | | |
| 20 | 40151-704-000 | PIN, break shoe | 1 | 1 | F40-122681 | | |
| 21 | 40152-704-000 | COLLAR A, break band | 1 | 1 | F40-122681 | | |
| 22 | 40130-704-010 | ARM, break | 1 | 1 | F40-122681 | | |
| 23 | 40140-704-020 | SHOE, break | 1 | 1 | F40-122681 | | |
| 24 | 91205-703-000 | WATER-SEAL, 305520..... | 1 | 1 | F40-122681 | | |
| 25 | 90473-704-000 | WASHER, 31 mm | 1 | 1 | F40-122681 | | |
| 26 | 21110-704-010 | CASE, right | 1 | 1 | F40-122681 | | |
| 27 | 9-1001-06000 | NUT, hex., 6 mm | 23 | 23 | | | |

F-17 Right Case

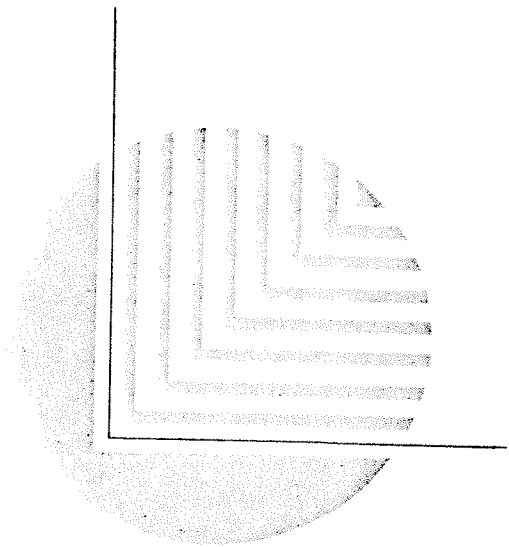
| Ref. No. | Part No. | Description | Reqd. No. | | No. Used on | | Remarks |
|----------|-------------|----------------------------|-----------|------|-------------|-------|---------|
| | | | F40T | F40F | From | To | |
| 28 | 94001-10000 | NUT, hex., 10 mm | 2 | 2 | | | |
| 29 | 94111-06000 | WASHER, spring, 6 mm | 23 | 23 | | | |
| 30 | 94111-10000 | WASHER, spring, 10 mm..... | 2 | 2 | | | |
| 31 | 94101-10000 | WASHER, flat, 10 mm | 2 | 2 | | | |
| 32 | 92000-06012 | BOLT, hex., 6×12 | 12 | 12 | | | |
| 33 | 94510-10100 | CIR-CLIP, 10 mm | 1 | 1 | | | |

F-17 Right Case



MEMO

HONDA TILLER
F 4 0
INDEX



PART NO. INDEX

| Part No. | Page | Ref. No. | Part No. | Page | Ref. No. | Part No. | Page | Ref. No. |
|--------------------|------|----------|--------------------|------|----------|----------------|------|----------|
| 11000 Parts | | | 14000 Parts | | | 16169-822-004 | 12 | 31 |
| 11200-822-010 | 35 | 21 | 14101-822-010 | 35 | 8 | 16170-823-004 | 11 | 11 |
| 11200-822-650 | 35 | 22 | 14210-822-010 | 35 | 1 | 16172-822-004 | 11 | 17 |
| 11210-822-000 | 35 | 15 | 14210-822-650 | 35 | 2 | 16173-260-004 | 12 | 40 |
| 11210-822-650 | 35 | 16 | 14311-805-010 | 32 | 23 | 16173-822-004 | 12 | 29 |
| 11211-822-000 | 35 | 17 | 14711-822-010 | 28 | 30 | 16174-822-004 | 11 | 21 |
| 11801-709-010 | 68 | 2 | 14721-822-010 | 28 | 31 | 16175-260-004 | 11 | 14 |
| 11901-704-000 | 55 | 2 | 14731-822-000 | 27 | 20 | 16176-822-004 | 12 | 27 |
| 12000 Parts | | | 14751-805-000 | 27 | 26 | 16177-822-004 | 11 | 23 |
| 12100-822-030 | 27 | 18 | 14751-822-000 | 27 | 27 | 16181-809-004 | 12 | 38 |
| 12100-822-650 | 27 | 19 | 14771-805-000 | 27 | 24 | 16181-810-004 | 12 | 39 |
| 12201-822-000 | 27 | 5 | 14771-822-010 | 27 | 25 | 16182-809-004 | 12 | 34 |
| 12201-822-650 | 27 | 6 | 14775-805-010 | 27 | 28 | 16182-810-004 | 12 | 35 |
| 12251-822-000 | 27 | 7 | 14775-822-000 | 27 | 29 | 16186-822-004 | 11 | 4 |
| 12361-822-000 | 27 | 10 | 14777-822-305 | 27 | 21 | 16187-822-004 | 11 | 15 |
| 12361-822-650 | 27 | 11 | 14777-822-315 | 27 | 22 | 16187-822-650 | 11 | 16 |
| 12371-822-000 | 27 | 13 | 14777-822-325 | 27 | 23 | 16211-822-010 | 27 | 8 |
| 12372-822-000 | 27 | 12 | 15000 Parts | | | 16229-822-010 | 27 | 9 |
| 13000 Parts | | | 15211-704-000 | 63 | 3 | 16235-805-000 | 12 | 41 |
| 13000-822-020 | 31 | 1 | 15420-704-000 | 63 | 2 | 16237-709-000 | 27 | 14 |
| 13000-822-030 | 31 | | 15611-805-010 | 20 | 18 | 16237-822-650 | 27 | 15 |
| 13000-822-730 | 31 | 2 | 15630-815-030 | 20 | 22 | 16261-709-000 | 51 | 8 |
| 13000-822-732 | 31 | | 15652-815-000 | 20 | 21 | 16265-704-000 | 51 | 9 |
| 13000-822-631 | 31 | 3 | 15663-815-000 | 20 | 20 | 16266-709-000 | 51 | 7 |
| 13000-822-691 | 31 | 4 | 15668-815-000 | 20 | 23 | 16267-709-000 | 51 | 10 |
| 13000-822-701 | 31 | 5 | 15761-704-000 | 51 | 1 | 16269-822-000 | 7 | 10 |
| 13000-822-711 | 31 | 6 | 16000 Parts | | | 16511-805-000 | 11 | 3 |
| 13000-822-721 | 31 | 7 | 16100-822-000 | 11 | 1 | 16511-805-000 | 35 | 7 |
| 13011-805-000 | 31 | 8 | 16100-822-650 | 11 | 2 | 16515-805-000 | 35 | 5 |
| 13021-805-000 | 31 | 9 | 16122-822-004 | 11 | 18 | 16521-822-010 | 35 | 4 |
| 13031-805-000 | 31 | 10 | 16125-822-004 | 12 | 28 | 16523-805-000 | 35 | 6 |
| 13041-805-000 | 31 | 11 | 16126-823-004 | 11 | 19 | 16535-822-010 | 19 | 19 |
| 13101-822-000 | 31 | 14 | 16134-822-004 | 12 | 26 | 16535-822-650 | 19 | 20 |
| 13111-805-000 | 31 | 13 | 16138-822-004 | 11 | 22 | 16541-822-000 | 19 | 15 |
| 13115-805-000 | 31 | 12 | 16141-822-004 | 11 | 8 | 16541-822-650 | 19 | 16 |
| 13321-822-000 | 32 | 31 | 16151-822-004 | 11 | 7 | 16545-822-000 | 19 | 17 |
| 13321-822-010 | 32 | 34 | 16152-822-004 | 11 | 6 | 16545-822-650 | 19 | 18 |
| 13311-822-020 | 32 | | 16161-809-004 | 12 | 36 | 16551-805-000 | 19 | 1 |
| 13321-805-020 | 32 | 24 | 16161-810-004 | 12 | 37 | 16551-806-000 | 19 | 2 |
| 13321-807-630 | 32 | 25 | 16163-809-004 | 12 | 32 | 16551-822-730 | 19 | 3 |
| 13321-807-730 | 32 | 26 | 16163-810-004 | 12 | 33 | 16560-822-000 | 19 | 12 |
| 13321-807-680 | 32 | 27 | 16164-701-004 | 11 | 12 | 16560-822-650 | 19 | 13 |
| 13321-807-690 | 32 | 28 | 16164-822-650 | 11 | 13 | 16561-822-010 | 19 | 10 |
| 13321-807-700 | 32 | 29 | 16165-822-004 | 11 | 5 | 16561-822-650 | 19 | 11 |
| 13321-807-710 | 32 | 30 | 16166-822-004 | 11 | 20 | 16562-822-010C | 19 | 14 |
| 13325-805-620 | 32 | 18 | 16167-822-004 | 12 | 30 | 16564-822-000 | 19 | 4 |
| 13381-805-010 | 32 | 33 | 16168-823-004 | 11 | 10 | 16564-822-650 | 19 | 5 |
| 13491-701-000 | 32 | 20 | | | | 16566-822-000 | 19 | 6 |
| | | | | | | 16566-822-650 | 19 | 7 |
| | | | | | | 16591-805-000 | 15 | 2 |
| | | | | | | 16591-806-000 | 15 | 3 |
| | | | | | | 16591-805-820 | 15 | 4 |

PART NO. INDEX

| Part No. | Page | Ref. No. | Part No. | Page | Ref. No. | Part No. | Page | Ref. No. |
|--------------------|------|----------|--------------------|------|----------|--------------------|------|----------|
| 24271-700-000 | 60 | 6 | 30565-822-000 | 23 | 9 | 40000 Parts | | |
| 24301-704-000 | 67 | 6 | 30600-822-000 | 23 | 7 | 40110-704-030 | 64 | 4 |
| 24511-704-010 | 67 | 9 | 30600-815-000 | 23 | 8 | 40120-704-030 | 64 | 10 |
| 24517-704-000 | 67 | 8 | 31000 Parts | | | 40130-704-010 | 67 | 25 |
| 24531-704-010 | 67 | 3 | 31121-822-020 | 23 | 5 | 40140-704-020 | 67 | 24 |
| 24531-704-010 | 67 | 4 | 31121-822-030 | 23 | | 40151-704-000 | 67 | 22 |
| 24611-704-000 | 67 | 10 | 31121-822-650 | 23 | 6 | 40152-704-000 | 67 | 23 |
| 24631-704-000 | 67 | 12 | 31121-822-651 | 23 | | 40153-704-000 | 67 | 21 |
| 25000 Parts | | | 31125-822-000 | 23 | 1 | 40171-704-000 | 64 | 1 |
| 25231-704-000 | 63 | 6 | 31121-822-650 | 23 | 2 | 40175-704-000 | 67 | 18 |
| 25235-704-000 | 63 | 4 | 31511-822-810 | 24 | 23 | 40310-704-010 | 67 | 14 |
| 25275-704-000 | 63 | 5 | 31521-815-169 | 24 | 21 | | 71 | 16 |
| 25280-704-000 | 63 | 8 | 31521-805-642 | 24 | 22 | 42000 Parts | | |
| 25620-805-611 | 71 | 4 | 32000 Parts | | | 42400-703-000 | 56 | 14 |
| 25911-700-000 | 71 | 6 | 32300-808-610 | 20 | 2 | 42701-703-010N | 56 | 8 |
| 28000 Parts | | | 32905-704-000 | 59 | 2 | 42702-703-010N | 56 | 9 |
| 28400-822-810C | 16 | 1 | 32951-703-000 | 23 | 12 | 42751-703-000 | 56 | 10 |
| 28400-822-650C | 16 | 2 | 32952-805-020 | 23 | 18 | 42752-703-010 | 56 | 11 |
| 28410-822-810C | 16 | 24 | 33000 Parts | | | 50000 Parts | | |
| 28420-809-810 | 16 | 17 | 33110-704-000 | 55 | 3 | 50110-704-010 | 48 | 15 |
| 28420-822-650 | 16 | 18 | 33120-704-305 | 55 | 4 | 50211-704-000 | 48 | 2 |
| 28423-809-810 | 16 | 3 | 33130-704-000 | 55 | 6 | 50221-704-000 | 48 | 1 |
| 28423-810-810 | 16 | 4 | 34000 Parts | | | 50610-704-000N | 52 | 10 |
| 28430-822-010 | 20 | 8 | 34901-030-000 | 55 | 5 | 50671-703-810 | 52 | 5 |
| 28430-822-650 | 20 | 9 | 35000 Parts | | | 50691-703-000 | 52 | 4 |
| 28441-809-810 | 16 | 9 | 35100-704-000 | 48 | 14 | 51000 Parts | | |
| 28441-822-650 | 16 | 10 | 35111-704-000 | 48 | 5 | 51510-704-010 | 39 | 5 |
| 28445-809-810 | 16 | 7 | 35112-701-000 | 48 | 4 | 51110-704-010N | 59 | 6 |
| 28445-822-650 | 16 | 8 | 36000 Parts | | | 51521-704-000 | 59 | 4 |
| 28446-809-810 | 16 | 13 | 36100-809-010 | 20 | 3 | 51630-703-010 | 52 | 6 |
| 28446-822-650 | 16 | 14 | 36100-811-000 | 20 | 4 | 53000 Parts | | |
| 28451-809-810 | 16 | 23 | 36151-805-641 | 23 | 19 | 53110-701-040 | 44 | 24 |
| 28455-822-810 | 16 | 11 | 36152-805-640 | 23 | 20 | 53110-709-000 | 44 | |
| 28455-822-650 | 16 | 12 | 38000 Parts | | | 53110-704-823 | 47 | 5 |
| 28461-805-810 | 16 | 21 | 38100-704-000 | 59 | 3 | 53110-709-680 | 47 | |
| 28465-809-810 | 16 | 19 | 30000 Parts | | | 53150-701-040 | 44 | 25 |
| 28465-822-650 | 16 | 20 | 30210-822-000 | 23 | 13 | 53150-709-000 | 44 | |
| 28470-805-000 | 20 | 10 | 30210-822-650 | 23 | 14 | 53150-704-823 | 47 | 6 |
| 28471-809-810 | 16 | 22 | 30280-822-010 | 23 | 15 | 53150-709-680 | 47 | |
| 30000 Parts | | | 30280-822-650 | 23 | 16 | 53211-701-020 | 43 | 18 |
| 30210-822-000 | 23 | 13 | 30280-815-013 | 23 | 17 | 53211-704-680 | 47 | 7 |
| 30210-822-650 | 23 | 14 | 30500-822-000 | 23 | 10 | | | |
| 30280-822-010 | 23 | 15 | 30600-822-630 | 23 | 11 | | | |
| 30280-822-650 | 23 | 16 | | | | | | |
| 30280-815-013 | 23 | 17 | | | | | | |
| 30500-822-000 | 23 | 10 | | | | | | |
| 30600-822-630 | 23 | 11 | | | | | | |

PART NO. INDEX

| Part No. | Page | Ref. No. | Part No. | Page | Ref. No. | Part No. | Page | Ref. No. |
|--------------------|------|----------|--------------------|---------|----------|---------------|------|----------|
| 53321-704-000 | 44 | 23 | | | | 90134-704-000 | 36 | 2 |
| 53510-704-681 | 47 | 8 | | | | 90141-703-600 | 52 | 3 |
| 53571-704-000 | 48 | 3 | | | | 90148-700-000 | 52 | 1 |
| | | | 80000 Parts | | | 90351-700-000 | 43 | 13 |
| 54000 Parts | | | 80151-703-810 | 52 | 7 | 90352-704-000 | 51 | 2 |
| 54140-704-000 | 48 | 13 | 80311-703-810 | 52 | 2 | 90381-703-000 | 15 | 1 |
| 54150-704-010 | 48 | 8 | | | | 90401-822-000 | 3 | 12 |
| 54171-704-000 | 67 | 2 | 83000 Parts | | | 90401-822-650 | 3 | 13 |
| 54172-704-000 | 67 | 1 | 83010-805-000 | 7 | 11 | 90402-822-000 | 27 | 3 |
| 54471-704-010 | 48 | 10 | 83111-704-000 | 52 | 9 | 90402-822-650 | 27 | 4 |
| 54472-704-000 | 48 | 11 | 83121-704-000 | 52 | 8 | 90407-259-000 | 35 | 20 |
| 54510-704-000 | 48 | 9 | 83151-805-000 | 7 52 | 12 11 | 90408-822-000 | 23 | 3 |
| 54581-704-000 | 48 | 6 | | | | 90408-822-010 | 23 | |
| 54584-704-602 | 47 | 4 | 87000 Parts | | | 90408-822-650 | 23 | 4 |
| 54585-704-600 | 47 | 2 | 87101-805-000 | 20 | 11 | 90408-822-651 | 23 | |
| 54587-704-000 | 48 | 7 | 87101-807-810 | 20 | 12 | 90432-704-000 | 63 | 1 |
| 54611-704-010 | 43 | 11 | 87501-704-000 | 71 | 10 | 90433-704-000 | 40 | 2 |
| 54621-704-010 | 43 | 12 | 87521-822-660 | 20 | 13 | 90445-700-000 | 3 | 18 |
| 54691-704-010 | 43 | 10 | 87521-709-000 | 20 | 14 | 90451-704-000 | 64 | 11 |
| 54710-704-030 | 43 | 19 | 87521-908-000 | 20 | 15 | 90452-704-000 | 63 | 7 |
| 54710-709-000 | 43 | | 87521-815-010 | 20 | 16 | 90453-704-000 | 60 | 9 |
| 54710-704-601 | 43 | 20 | 87531-822-660 | 20 | 17 | 90471-704-010 | 40 | 19 |
| 54710-709-680 | 43 | | | | | 90471-703-000 | 60 | 1 |
| 54712-709-000 | 43 | 10-1 | 88000 Parts | | | 90472-704-000 | 67 | 19 |
| 54771-704-600 | 47 | 1 | 88110-700-000 | 43 | 15 | 90472-703-305 | 71 | 17 |
| | | | 88171-701-000 | 43 | 14 | 90473-704-000 | 71 | 2 |
| 59000 Parts | | | | | | 90474-704-000 | 68 | 14 |
| 59101-704-010 | 36 | 7 | 89000 Parts | | | 90474-704-000 | 71 | 25 |
| 59301-704-000 | 36 | 5 | 89206-805-000 | 7 | 13 | 90481-809-310 | 16 | 3 |
| 59331-704-000 | 36 | 4 | 89216-809-000 | 7 | 14 | 90481-809-810 | 16 | 15 |
| 59492-704-000 | 36 | 1 | 89219-805-000 | 7 | 15 | 90482-822-650 | 16 | 16 |
| | | | | | | 90482-822-650 | 16 | 5 |
| 61000 Parts | | | 90000 Parts | | | 90481-250-000 | 71 | 6 |
| 61110-704-000N | 56 | 2 | 90001-822-000 | 27 | 1 | 90488-700-000 | 68 | 7 |
| 61151-704-000 | 56 | 1 | 90001-822-650 | 27 | 2 | 90488-700-000 | 68 | 5 |
| 61210-704-000N | 56 | 3 | 90002-822-000 | 3 | 10 | 90531-703-000 | 36 | 6 |
| 61711-704-000 | 56 | 5 | 90002-822-650 | 3 | 11 | 90581-704-000 | 39 | 2 |
| 61771-704-000 | 56 | 4 | 90015-822-650 | 35 | 18 | 90583-704-000 | 36 | 3 |
| | | | 90021-700-010 | 67 | 7 | 90586-704-810 | 47 | 3 |
| 63000 Parts | | | 90026-704-020 | 40 | 18 | 90601-822-000 | 19 | 8 |
| 63610-709-000N | 39 | 6 | 90061-822-000 | 27 | 16 | 90601-822-650 | 19 | 9 |
| 63681-704-010 | 39 | 5 | 90061-822-650 | 27 | 17 | 90601-704-000 | 67 | 21 |
| 63687-704-000 | 39 | 1 | 90081-704-010 | 68 | 1 | 90642-822-650 | 71 | 19 |
| 63692-704-010 | 39 | 3 | 90082-704-000 | 71 | 1 | 90651-703-000 | 1 | 38 |
| 63693-704-000 | 39 | 4 | 90086-700-000 | 67 | 5 | 90651-703-000 | 56 | 12 |
| | | | 90091-704-020 | 53 | 1 | 90652-700-000 | 56 | 6 |
| 66000 Parts | | | 90131-701-000 | 59 | 1 | 90701-200-000 | 35 | 14 |
| 66111-704-010 | 48 | 12 | 90132-703-000 | 43 | 16 | 90741-822-650 | 31 | 17 |
| | | | 90133-704-010 | 39 | 7 | 90741-704-000 | 30 | 11 |
| | | | | | | 90742-307-640 | 31 | 16 |
| | | | | | | 90743-822-000 | 31 | 15 |
| | | | | | | 90743-822-010 | 31 | |
| | | | | | | 90753-703-000 | 36 | 7 |

PART NO. INDEX

| Part No. | Page | Ref. No. | Part No. | Page | Ref. No. | Part No. | Page | Ref. No. |
|--------------------|------|----------|----------|------|----------|----------|------|----------|
| 90754-703-000 | 56 | 13 | | | | | | |
| 90921-704-000 | 64 | 3 | | | | | | |
| 91000 Parts | | | | | | | | |
| 91001-822-000 | 32 | 21 | | | | | | |
| 91002-805-000 | 32 | 22 | | | | | | |
| 91021-704-010 | 40 | 9 | | | | | | |
| 91023-703-010 | 64 | 8 | | | | | | |
| 91101-805-000 | 32 | 32 | | | | | | |
| 91105-701-000 | 64 | 9 | | | | | | |
| 91201-822-003 | 35 | 9 | | | | | | |
| 91201-822-005 | 35 | 10 | | | | | | |
| 91201-704-000 | 67 | 11 | | | | | | |
| 91202-704-010 | 40 | 27 | | | | | | |
| 91203-704-000 | 68 | 10 | | | | | | |
| 91204-805-000 | 35 | 11 | | | | | | |
| 91204-703-000 | 71 | 11 | | | | | | |
| 91205-703-000 | 71 | 5 | | | | | | |
| | 71 | 24 | | | | | | |
| | 68 | 13 | | | | | | |
| 91301-805-000 | 20 | 19 | | | | | | |
| | 35 | 13 | | | | | | |
| 91301-704-000 | 67 | 15 | | | | | | |
| | 71 | 15 | | | | | | |
| 91302-805-620 | 32 | 19 | | | | | | |
| 91302-704-000 | 40 | 23 | | | | | | |
| 91303-704-000 | 40 | 5 | | | | | | |
| 91304-704-000 | 40 | 12 | | | | | | |
| 91305-703-000 | 60 | 4 | | | | | | |
| 91354-702-000 | 35 | 3 | | | | | | |
| 99000 Parts | | | | | | | | |
| 99114-822-0680 | 11 | 25 | | | | | | |
| 99114-822-0700 | 11 | | | | | | | |
| 99114-822-0720 | 11 | | | | | | | |
| 99114-822-0750 | 11 | | | | | | | |
| 99114-822-0780 | 12 | | | | | | | |
| 99114-822-0800 | 12 | | | | | | | |
| 99114-822-0820 | 12 | | | | | | | |
| 99114-822-0850 | 12 | | | | | | | |
| 99124-822-0450 | 11 | 24 | | | | | | |
| 99124-822-0480 | 11 | | | | | | | |
| 99134-823-0700 | 11 | 9 | | | | | | |