



# PIECES DETACHEES

Tondeuse PRO

[www.m-jardin.fr](http://www.m-jardin.fr)

## SG173H

**SG173H-E20S, UE20S, U48E20,  
U48E20S, U48E40, U48E40S,  
U48E50, U48E50S, U48RE40,  
U48RE40S, 48E20, 48E20S, 48E40,  
48E40S, 48E50, 48E50S, 48E50T,  
48RE40, 48RE40S**



Yvon Béal 21, Av. de l'agriculture - B.P. 16  
Z.I. du Bétout 63014 Clermont-Ferrand Cedex 2  
Tél: 04 73 91 92 51 Téléphone: 04 73 90 23 11  
www.yvonbeal.fr Email: info@yvonbeal.fr  
N. C. B. 304 073 886 - SIREN 304 073 886

1631-097-1000-0

03-000156-050215



[www.m-jardin.fr](http://www.m-jardin.fr)

## Directions for use of Parts Catalogue

### 1. Applicable model of machines

All component and option parts used for SGI73H lawn & garden tractorst are listed in this parts catalogue.

NOTES : E20.....FOR GERMANY  
 E40.....FOR U.K, OCEANIA  
 E50.....FOR FRANCE  
 E50T.....FOR ITALY  
 U.....POWER STEERING  
 EXCEPT S.....E374 G  
 S.....E374 - G01

### 2. Explanation for head paragraph

KEY	PART CODE	DESCRIPTION	QTY	TYPE OF MODEL			1 C C	C O L	D I C A	REMARKS
				TF15	TF17	TF19				
126	1614-508-200-00	FILTER(SUCTION) ASSY	1	*	*			4E		
127	V721-W3-103-50	O-RING	1	*	*					
128	1614-508-260-00	FILTER(SUCTION) ASSY	1	*	*	981- -1799				
129	1614-508-262-00	FILTER(LH) ASSY	1	*	*			4E A	F G.164	
				*	*	1- -1999	3			

- ① KEY shows the location of parts diagramed in the illustration.
- ② Parts numbers begin with "V" and "W" are standard parts of the market.
- ③ "LH" and "RH" on the parts name are described against the moving direction of the machine or are described on the condition how to install parts on the machines.
- ④ QTY shows the number of parts to be used for one unit of machine.  
 "M" is indicated for parts supplied by a meter long.  
 "ℓ" is indicated for parts supplied by liter.  
 "AR" is indicated for parts need to be adjusted or regulated.

⑤ The following symbol classifies parts to be used for machines.

‘ \* ’ means standard parts.

‘ T ’ shows that the parts can be installed as optional parts.

‘ R ’ shows that the parts can be used as applicable parts to replace originally equipped parts.

⑥ Serial number : upper row shows the serial number for the first product and lower row for the last product.

Example : Serial no. 1 through to serial no. 1999.

⑦ ITC : Interchangeability

‘ 1 ’ ... OLD ← NEW

New parts can be used in place of the old parts.

‘ 2 ’ ... OLD → NEW

Old parts can be used in place of the new parts.

‘ 3 ’ ... OLD ↔ NEW

Old parts and new parts can not be replaced each other.

⑧ COL.: Color code

Color is signified with color code number for colored parts.

Please see the color list shown in the next page.

⑨ GRP: Parts shown in this column can be replaced by SET parts.

Example : Parts marked ④ can be replaced by parts marked ③, and ① for ②, so the rest follow in the same alphabetical order.

⑩ Remarks

\* Other maker's part code number is shown in this column.

\* When Fig. No. is shown in the Remark column of SET parts or ASSY parts, each of their component parts are listed in said Fig. No.

### 3. Color

The following colors are used for color parts.

COLOR CODE	C O L O R	SPRAY TYPE CODE NUMBER	PAINTS 4K DRUM	PAINTS 16K DRUM
4 G	CRYSTAL BLUE	1300-957-001-10	1300-957-003-00	1300-957-004-00
6 G	SUMMER WHITE	1300-958-001-10	1300-958-003-00	1300-958-004-00
7 F	MIRROR BLACK	1300-954-001-10	1300-954-003-00	1300-954-004-00
8 E	SILVER MIST	1300-968-001-10	1300-968-003-00	1300-968-004-00

NOTE: Color code is signified only for the parts assigned by the maker as color parts.

#### 4. Serial Numbers:

- 1) For engines serial number is stamped on CYLINDER BLOCK ASSY.

Please see Fig.No 5 - i.

- 2) For chassis serial number is shown on the LABEL.

Please see



#### 5. Parts Order

- 1) Parts numbers listed in the parts catalogue are all registered in "ISEKI on-line computer".
- 2) When you order parts, please make sure of correct numbers.
- 3) When substitute parts is available, the part number ordered will be automatically turned to a new part number.
- 4) Please be sure to use "ISEKI GENUINE PARTS".

Any other similar parts other than ISEKI parts when used may cause a trouble that makes us unable to repair or guarantee the warrant.

P. 1 \*\*\* STRUCTURE TABLE OF MODEL \*\*\*

M	S												
G	1E000	00000	U4444	44444									
C	72E44	44444	48888	88888									
D	30288	88888	8EEEE	EEERR									
E	HS0EE	EEERR	R2244	555EE									
F	S22	4455E	E0000	00044									
I	00	00004	4 S S	ST00									
L	S	S S0	0	S									
G			S										
1	*****	*****	*****	*****									
2	*****	*****	*****	*****									
3	*****	*****	*****	*****									
4	****	*****	*										
5	*****	*****	*****	*****									
6	*****	*****	*****	*****									
7	*****	*****	*****	*****									
8	*****	*****	*****	*****									
9	*		*****	*****									
10	****	*****	*										
11	*****	*****	*****	*****									
12	*****	*****	*****	*****									
13	*		*****	*****									
14	****	*****	*										
15	*****	*****	*****	*****									
16	*****	*****	*****	*****									
17	*****	*****	*****	*****									
18	*****	*****	*****	*****									
19	*****	*****	*****	*****									
20	*****	*****	*****	*****									
21	*****	*****	*****	*****									
22	*****	*****	*****	*****									
23	TTTT	TTTT	TTTT	TTTT									
24	TTTT	TTTT	TTTT	TTTT									
25	*****	*****	*****	*****									
26	*****	*****	*****	*****									
27	****	*****	*										
28	*		*****	*****									
29	****	*****	*										
30	*		*****	*****									
31	****	*****	*										
32	*****	*****	*****	*****									
33	*****	*****	*****	*****									
34	*****	*****	*****	*****									
35	*****	*****	*****	*****									
36	*****	*****	*****	*****									
37	*****	*****	*****	*****									
38	*****	*****	*****	*****									
39	*****	*****	*****	*****									
40	*****	*****	*****	*****									
41	*****	*****	*****	*****									
42	TTTT	TTTT	TTTT	TTTT									
43	*	*	*	*									
44	****	****	****	****									
45	*****	*****	*****	*****									

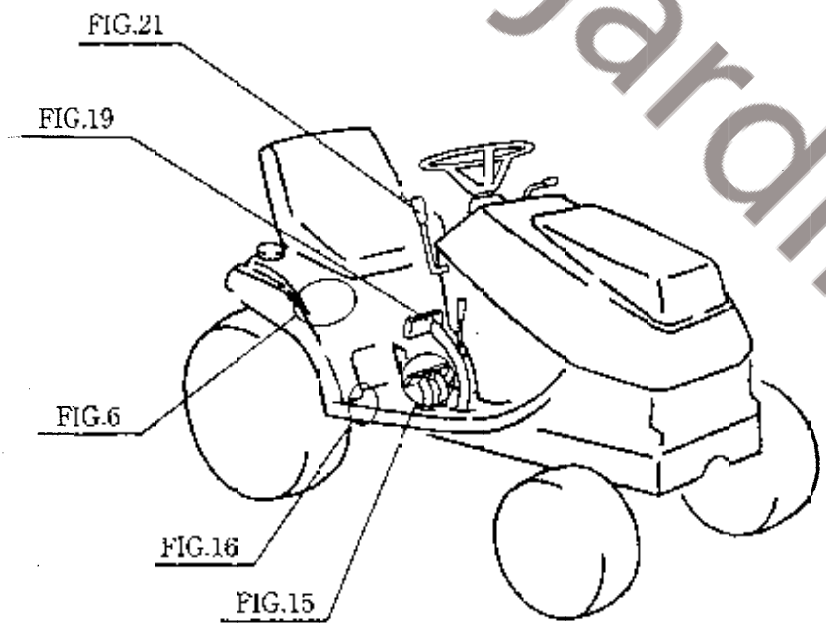
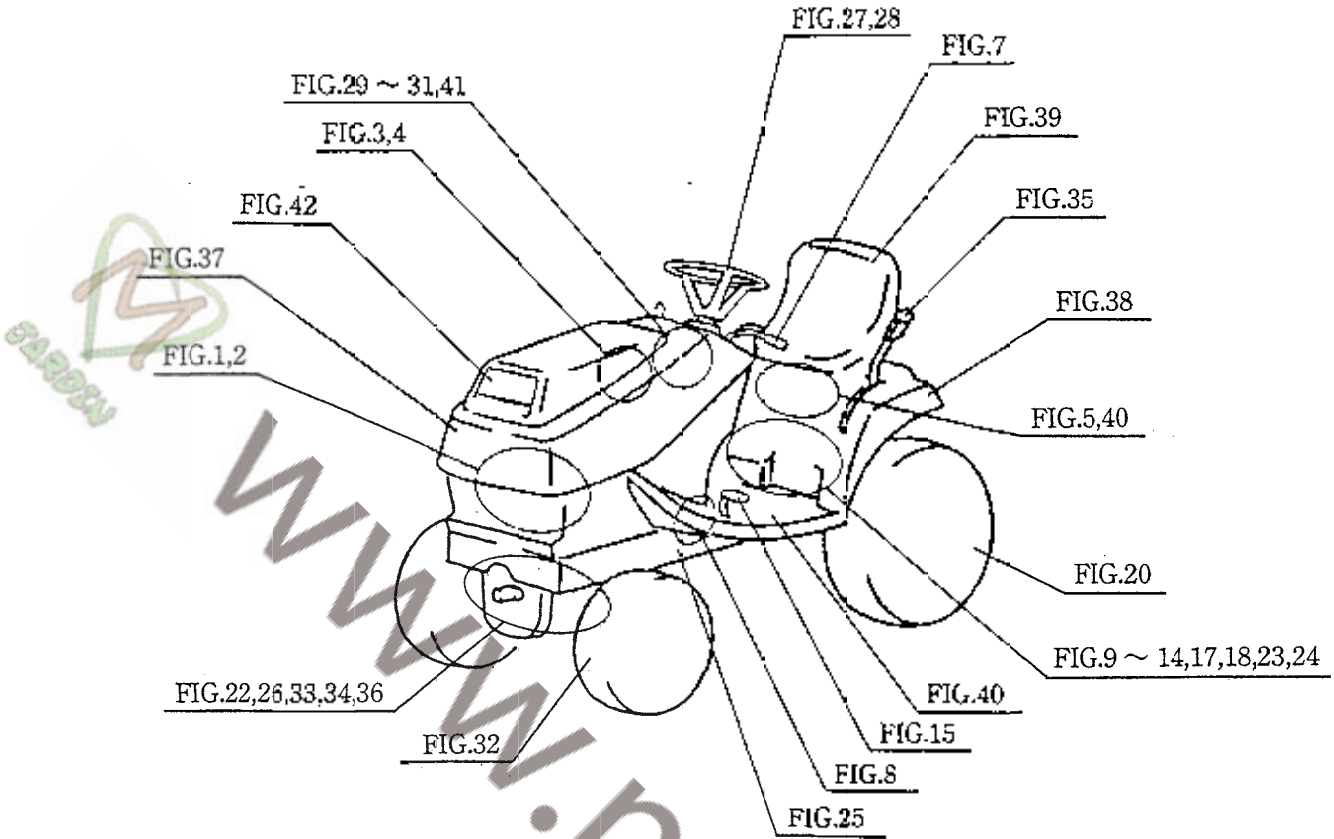


m.Jaridin.f

M	S									
G	1EELU	UUUUU	U4444	44444						
O	7ZE44	44444	43888	88888						
D	30288	88888	8ZEER	EEERR						
E	HSOEE	EEBER	R2244	555EE						
L	S22	4455E	E0000	00044						
F	CO	00004	4 S S	ST00						
I	S	S S0	0	S						
G			S							
46	****		**							
47		**		**						
48		** * *	**	**						
49				*						
50	TTTT	TTTT	TTTT	TTTT						
51	****	*****	*****	*****						



www.jaradin.fr



www.m-jardin.fr



## CONTENTS

SG173H (EXCEPT S TYPE)

ENGINE (E374-G)

CYLINDER HEAD .....	Fig. 1
CYLINDER HEAD COVER .....	Fig. 2
INLET MANIFOLD .....	Fig. 3
EXHAUST MANIFOLD .....	Fig. 4
CYLINDER BLOCK .....	Fig. 5
BEARING/UNDER SIZE (OPTION) .....	Fig. 6
OIL PAN .....	Fig. 7
REAR PLATE .....	Fig. 8
TIMING GEAR CASE .....	Fig. 9
HANGER .....	Fig. 10
VALVE .....	Fig. 11
CAM SHAFT .....	Fig. 12
PISTON .....	Fig. 13
PISTON/OVER SIZE (OPTION) .....	Fig. 14
CRANK SHAFT .....	Fig. 15
OIL PUMP .....	Fig. 16
WATER PUMP .....	Fig. 17
COOLING FAN .....	Fig. 18
INJECTION NOZZLE .....	Fig. 19
INJECTION PUMP .....	Fig. 20
FUEL PIPE .....	Fig. 21
ELECTRIC (1) .....	Fig. 22
ELECTRIC (2) .....	Fig. 23
REPAIR KIT .....	Fig. 24
6215 300-005-00 .....	Fig. 25
6215-600 088-00 .....	Fig. 26
6281-100-003-00 .....	Fig. 27
6281-200-007 00 .....	Fig. 28

## CONTENTS

SG173H (S TYPE)

ENGINE (E374-G01)

CYLINDER HEAD .....	Fig. 1
CYLINDER HEAD COVER .....	Fig. 2
INLET MANIFOLD .....	Fig. 3
EXHAUST MANIFOLD .....	Fig. 4
CYLINDER BLOCK .....	Fig. 5
BEARING/ UNDER SIZE (OPTION).....	Fig. 6
OIL PAN.....	Fig. 7
REAR PLATE .....	Fig. 8
TIMING GEAR CASE .....	Fig. 9
HANGER .....	Fig. 10
VALVE .....	Fig. 11
CAM SHAFT .....	Fig. 12
PISTON .....	Fig. 13
PISTON, OVER SIZE (OPTION) .....	Fig. 14
CRANK SHAFT .....	Fig. 15
OIL PUMP .....	Fig. 16
WATER PUMP .....	Fig. 17
COOLING FAN.....	Fig. 18
INJECTION NOZZLE .....	Fig. 19
INJECTION PUMP .....	Fig. 20
FUEL PIPE .....	Fig. 21
ELECTRIC (1) .....	Fig. 22
ELECTRIC (2) .....	Fig. 23
REPAIR KIT .....	Fig. 24
6215-300-005 00 .....	Fig. 25
6215 600-088-00 .....	Fig. 26
6281-100-003 00 .....	Fig. 27
6281 200-016-00 .....	Fig. 28

## CONTENTS

### CHASSIS

ENGINE BRACKET SYSTEM.....	Fig. 1
RADIATOR SYSTEM.....	Fig. 2
MUFFLER AND AIR CLEANER SYSTEM.....	Fig. 3
AIR CLEANER SYSTEM (U TYPE).....	Fig. 4
FUEL FILTER AND FUEL HOSE SYSTEM.....	Fig. 5
BATTERY SYSTEM.....	Fig. 6
ACCELERATOR SYSTEM.....	Fig. 7
DRIVE SHAFT SYSTEM.....	Fig. 8
TRANSMISSION CASE SYSTEM (EXCEPT U TYPE).....	Fig. 9
TRANSMISSION CASE SYSTEM (U TYPE).....	Fig. 10
TRANSMISSION GEAR SYSTEM.....	Fig. 11
HST SYSTEM (1).....	Fig. 12
HST SYSTEM (2/EXCEPT U TYPE).....	Fig. 13
HST SYSTEM (2/U TYPE).....	Fig. 14
HST SYSTEM (3).....	Fig. 15
HST (UNLOAD) SYSTEM.....	Fig. 16
DIFFERENTIAL GEAR AND WHEEL SHAFT SYSTEM.....	Fig. 17
BRAKE SYSTEM.....	Fig. 18
BRAKE PEDAL AND ARM SYSTEM.....	Fig. 19
REAR TIRE SYSTEM.....	Fig. 20
PTO CLUTCH SYSTEM.....	Fig. 21
PTO SHAFT SYSTEM.....	Fig. 22
REAR PTO SYSTEM (OPTION).....	Fig. 23
REAR HITCH SYSTEM (OPTION).....	Fig. 24
CHASSIS AND FRONT AXLE SYSTEM.....	Fig. 25
KNUCKLE ARM SYSTEM.....	Fig. 26
STEERING WHEEL SYSTEM (U TYPE).....	Fig. 27
STEERING WHEEL SYSTEM (EXCEPT U TYPE).....	Fig. 28
STEERING SYSTEM (U TYPE).....	Fig. 29
STEERING SYSTEM (EXCEPT U TYPE).....	Fig. 30

POWER STEERING SYSTEM (U TYPE).....	Fig. 31
FRONT TIRE SYSTEM.....	Fig. 32
LIFT SYSTEM.....	Fig. 33
LINK SYSTEM.....	Fig. 34
LIFT CAM SYSTEM.....	Fig. 35
PTO COVER SYSTEM.....	Fig. 36
HOOD SYSTEM.....	Fig. 37
FENDER SYSTEM.....	Fig. 38
SEAT SYSTEM.....	Fig. 39
FUEL TANK AND STEP SYSTEM.....	Fig. 40
PANEL SYSTEM.....	Fig. 41
HEAD LAMP AND HOUR METER SET (OPTION).....	Fig. 42
HARNESS SYSTEM (EXCEPT S TYPE).....	Fig. 43
HARNESS SYSTEM (S TYPE).....	Fig. 44
MARK AND TOOL.....	Fig. 45
LABEL (E20 TYPE).....	Fig. 46
LABEL (E50 TYPE EXCEPT T).....	Fig. 47
LABEL (E40 TYPE).....	Fig. 48
LABEL (E50T TYPE).....	Fig. 49
BUMPER WEIGHT SET (OPTION).....	Fig. 50
COMPONENT PARTS FOR K211 012 000 00 ON FIG 13,14.....	Fig. 51

WIRING DIAGRAM/SG173

WIRING DIAGRAM/SG173/S

REAL WIRING DIAGRAM/SG173

REAL WIRING DIAGRAM/SG173/S



# ENGINE

E374 – G...SG173H  
(EXCEPT S)

[www.m-jardin.fr](http://www.m-jardin.fr)

ENGINE



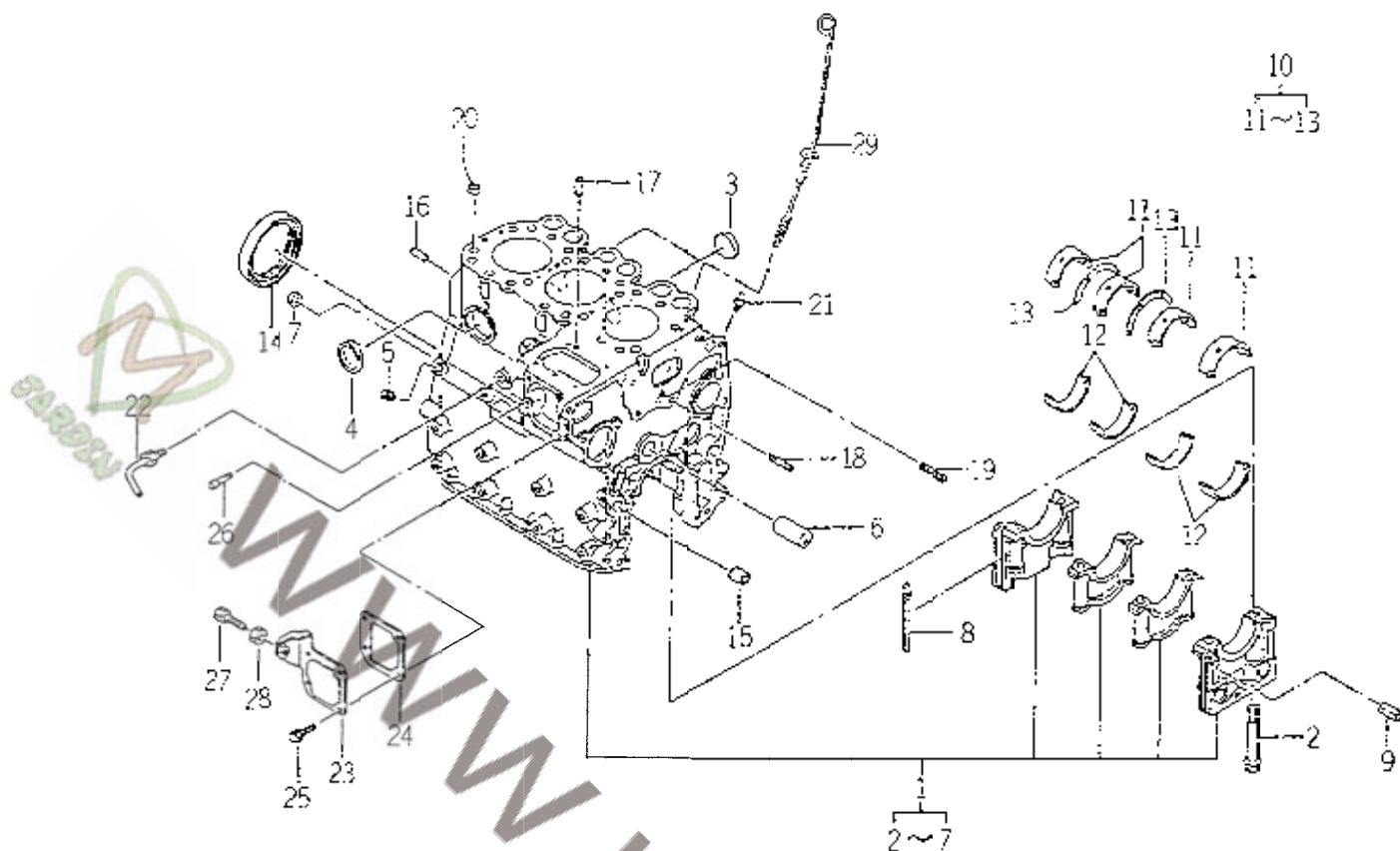








FIG. 5 CYLINDER BLOCK



030-01P

KEY	PART CODE	DESCRIPTION	QTY	TYPE OF MODEL		I T C	C O L	G R P	REMARKS
				337c -G					
1	6211-210-014-20	CYLINDERBLOCK ASSY	1	*					
2	6209-000-004-00	BOLT	8	*					
3	6209-610-001-00	CAP, SEALING	2	*					
4	6911-219-195-00	CAP, SEALING	4	*					
5	6509-605-019-10	PLUG	3	*					
6	6212-531-005-10	PIN, /ELEGAR	1	*					
7	6911-129-083-00	CAP, SEALING	1	*					
8	6211-258-001-00	SEAL, BEARING CAP	4	*					
9	6211-258-002-00	SEAL, BEARING CAP/7	2	*					
10	6211-510-001-00	METAL CRANK SET	1	*					
11	6211-511-003-00	BEARING/CRANK/UPPER	4	*					
12	6211-511-004-00	BEARING/CRANK/LOWER	4	*					
13	6211-599-001-10	BEARING, THRUST CRANK	2	*					
14	6209-625-001-00	SEAL, OIL	1	*					
15	6209-749-001-10	PIN, TURE	2	*					
16	6903-180-816-00	PIN	2	*					
17	6903-180-510-00	PIN	2	*					
18	6904-110-840-00	STUD/M8X40	1	*					
19	6904-110-815-00	STUD	1	*					
20	6894-453-344-00	DOWEL	2	*					
21	6903-902-295-00	NIPPLE	1	*					
22	6213-721-001-00	PIPE, WATER DRAIN	1	*					
23	6211-291-001-10	COVER, NU PUMP	1	*					
24	6211-282-001-20	GASKET/COVER	1	*					
25	6901-910-612-00	BOLT, SEMS/M8X12	4	*					

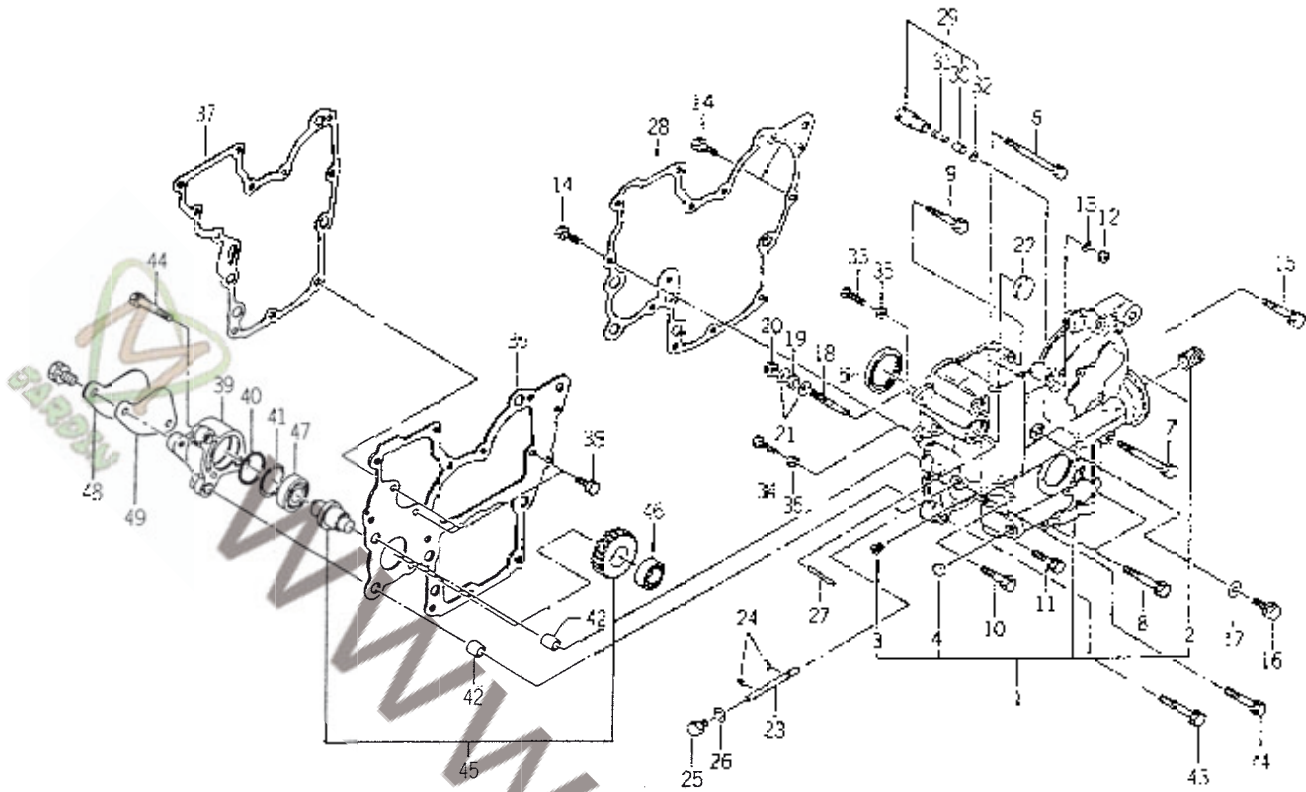








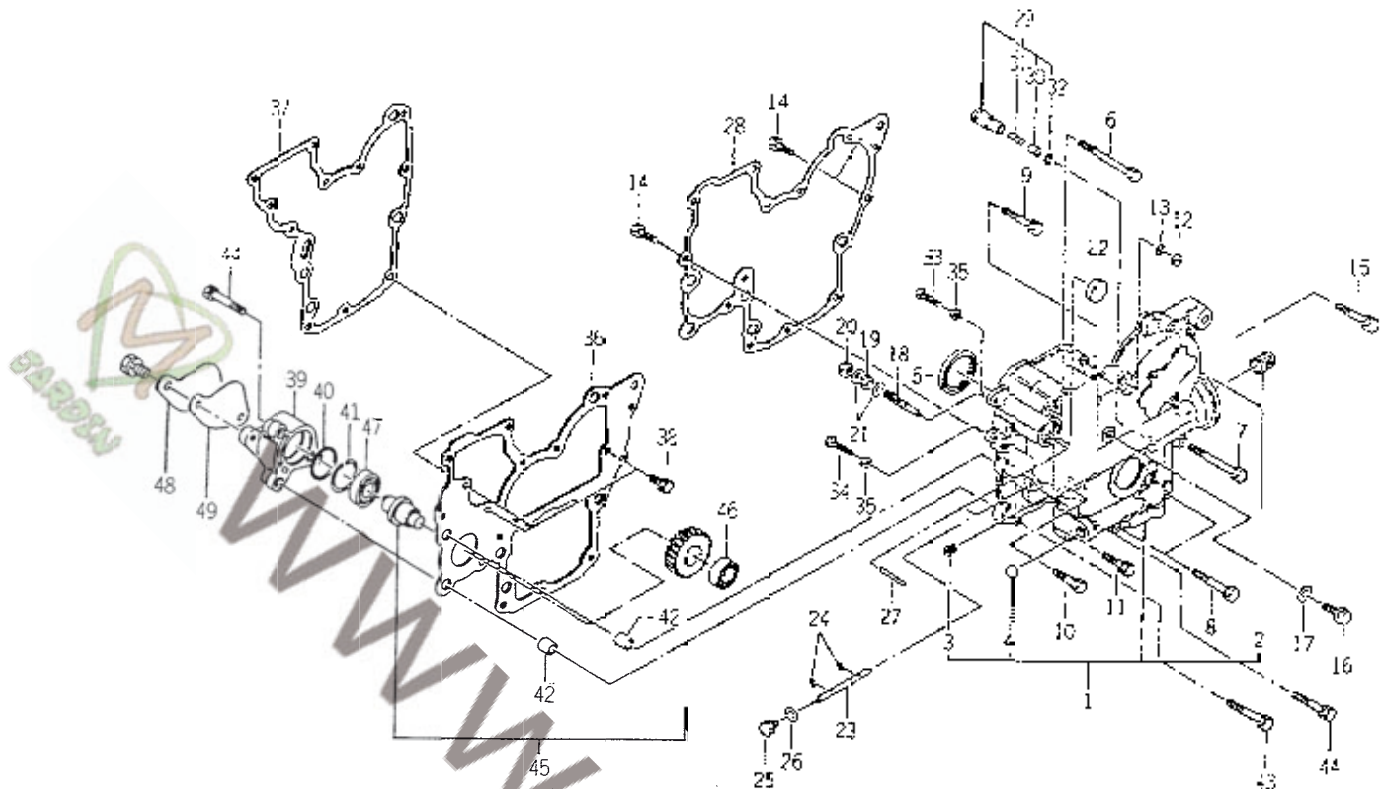
FIG. 9 TIMING GEAR CASE



1203 2402

KEY	PART CODE	DESCRIPTION	QTY	TYPE OF MODEL		I T C	C O -	G R P	REMARKS
				E374 -G					
1	6211 313 006 - 20	GEARCASE ASSY	1	*					
2	6213 319 - 001 - 00	CONNECTOR,OIL FILTER	1	*					
3	6509 605 - 019 - 10	PLUG	3	*					
4	6209 - 610 002 - 10	CUP/SEALING/16	1	*					
5	6209 - 625 - 002 - 00	SEAL,OIL	1	*					
6	6209 - 030 - 005 - 00	BOLT/M8X85	1	*					
7	6209 039 006 - 00	BOLT/M8X75	1	*					
8	6509 - 000 - 084 - 00	BOLT/L = 55	2	*					
9	6509 - 030 - 037 - 00	BOLT	2	*					
10	6901 - 910 640 00	BOLT	1	*					
11	6901 - 910 - 835 - 00	BOLT,SEMS/M8X35	1	*					
12	6909 - 110 508 00	NUT/M8	1	*					
13	6909 - 150 - 508 - 00	WASHER	1	*					
14	V211 650 802 - 00	BOLT/V8X20	3	*					
15	6901 - 910 - 845 - 00	2GLI,SEMS/M8X45	1	*					
16	6209 - 045 - 001 - 00	BOLT/V8X30	1	*					
17	6509 - 020 - 843 - 00	PACKING	1	*					
18	6215 - 546 001 - 00	STOPPER,FULL LOAD	1	*					
19	6209 - 409 - 001 - 00	NUT/M8	1	*					
20	V341 - 120 - 008 - 00	NUT,CAP/M 8	1	*					
21	6903 920 843 - 00	PACKING	2	*					
22	3625 - 540 - 004 - 00	CAP,BLANK/30	1	*					
23	6215 - 542 - 001 - 10	PIN/A4M	1	*					
24	V710 140 - 004 - 00	RING,SNAP/ 4 E	2	*					
25	6909 - 202 - 306 - 00	PLUG	1	*					

FIG. 9 TIMING GEAR CASE



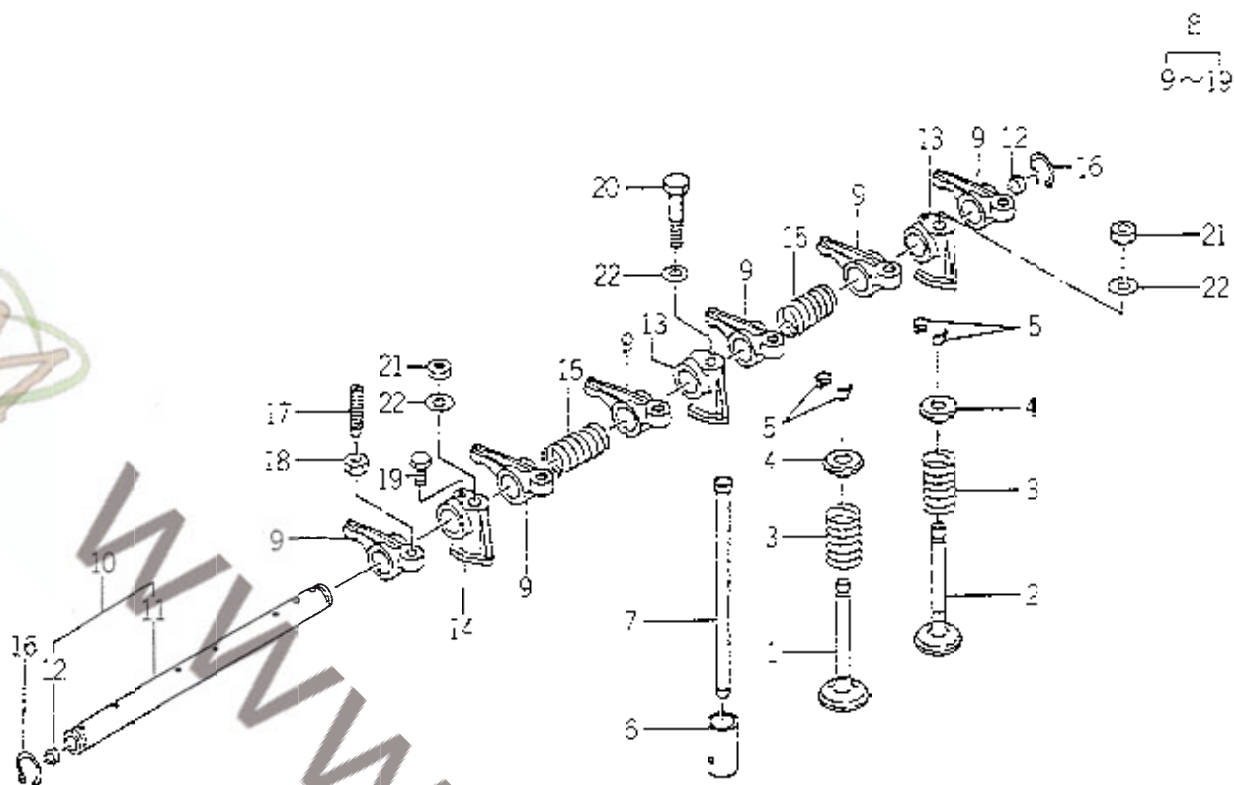
029-2427

KEY	PART CODE	DESCRIPTION	QTY	TYPE OF MODEL		I T C	C O L	G I D	REMARKS
				E374 -6					
26	6909 - 970 - 843 - 00	PACKING	1	*					
27	6209 - 740 - 001 - 00	PIN,GROOVE	1	*					
28	6211 - 312 - 001 - 20	GASKET/OFCASE	1	*					
29	9213 - 160 - 002 - 00	VALVE/RELIEF ASSY	1	*					
30	6213 - 161 - 001 - 00	PISTON/RELIEF VALVE	1	*					
31	6213 - 164 - 001 - 00	SPRING/RELIEF VALVE	1	*					
32	V705 - 140 - 012 - 00	RING,SNAP/12 G	1	*					
33	6209 - 050 - 001 - 00	BOLT/M6	1	*					
34	6209 - 050 - 002 - 00	BOLT/M6	1	*					
35	6909 - 110 - 408 - 00	NUT	2	*					
36	6211 - 311 - 001 - 20	PLATE,FRONT	1	*					
37	6211 - 312 - 002 - 20	GASKET/PLATE	1	*					
38	6902 - 050 - 816 - 00	BOLT	3	*					
39	6211 - 318 - 002 - 00	SPACER,HYD,FEAR	1	*					
40	V723 - 102 - 004 - 20	O - RING	1	*					
41	V705 - 140 - 040 - 00	RING,SNAP/40 G	1	*					
42	6209 - 749 - 001 - 10	PIN,TUBE	2	*					
43	6509 - 000 - 084 - 00	BOLT/L = 55	1	*					
44	6901 - 910 - 845 - 00	BOLT,SEM5/M8X45	2	*					
45	6212 - 530 - 004 - 00	SHAFT,HYD. ASSY	1	*					
46	V600 - 110 - 600 - 20	BEARING,RB/6002	1	*					
47	V600 - 110 - 620 - 30	BEARING,RB/6203	1	*					
48	6211 - 321 - 001 - 10	COVER	1	*					
49	6211 - 322 - 003 - 00	GASKET/COVER	1	*					





FIG. 11 VALVE



C01 01

KEY	PART CODE	DESCRIPTION	QTY	TYPE OF MODEL		TTC	C O I	G R P	REMARKS
				L374	-6				
1	6212-551-001-00	VALVE,INTAKE	3	*					
2	6212-552-001-00	VALVE,EXHAUST	3	*					
3	6212-561-001-00	SPRING,VALVE	6	*					
4	6212-563-001-00	SEAT,VALVE SPRNG	6	*					
5	6212-565-001-00	CUTTER,VALVE	12	*					
6	6212-571-001-10	TARGET	6	*					
7	6212-575-001-00	ROD,PUSH	6	*					
8	6212-603-002-00	SHAFT,ROCKER ASSY	1	*					
9	6212-611-004-10	ROCKERARM	6	*					
10	6212-620-001-10	SHAFT,ROCKER ARM ASSY	1	*					
11	6212-621-002-10	SHAFT/ROCKERARM	1	*					
12	6212-623-002-10	PLUG	2	*					
13	6212-623-004-00	BRACKET,ROCKER SHAFT	2	*					
14	6212-623-005-00	BRACKET,ROCKER SHAFT	1	*					
15	6709-940-004-00	SPRING	2	*					
16	V704-140-016-00	RING,SNAP/16 C	2	*					
17	6212-616-002-00	SCREW,ADJUST	6	*					
18	6209-409-003-00	NUT	6	*					
19	6209-009-002-00	BOLT	1	*					
20	6901-050-850-00	BOLT/M6X45	1	*					
21	6909-110-508-00	NUT/M8	2	*					
22	6909-164-508-00	WASHER,PL/M8	3	*					

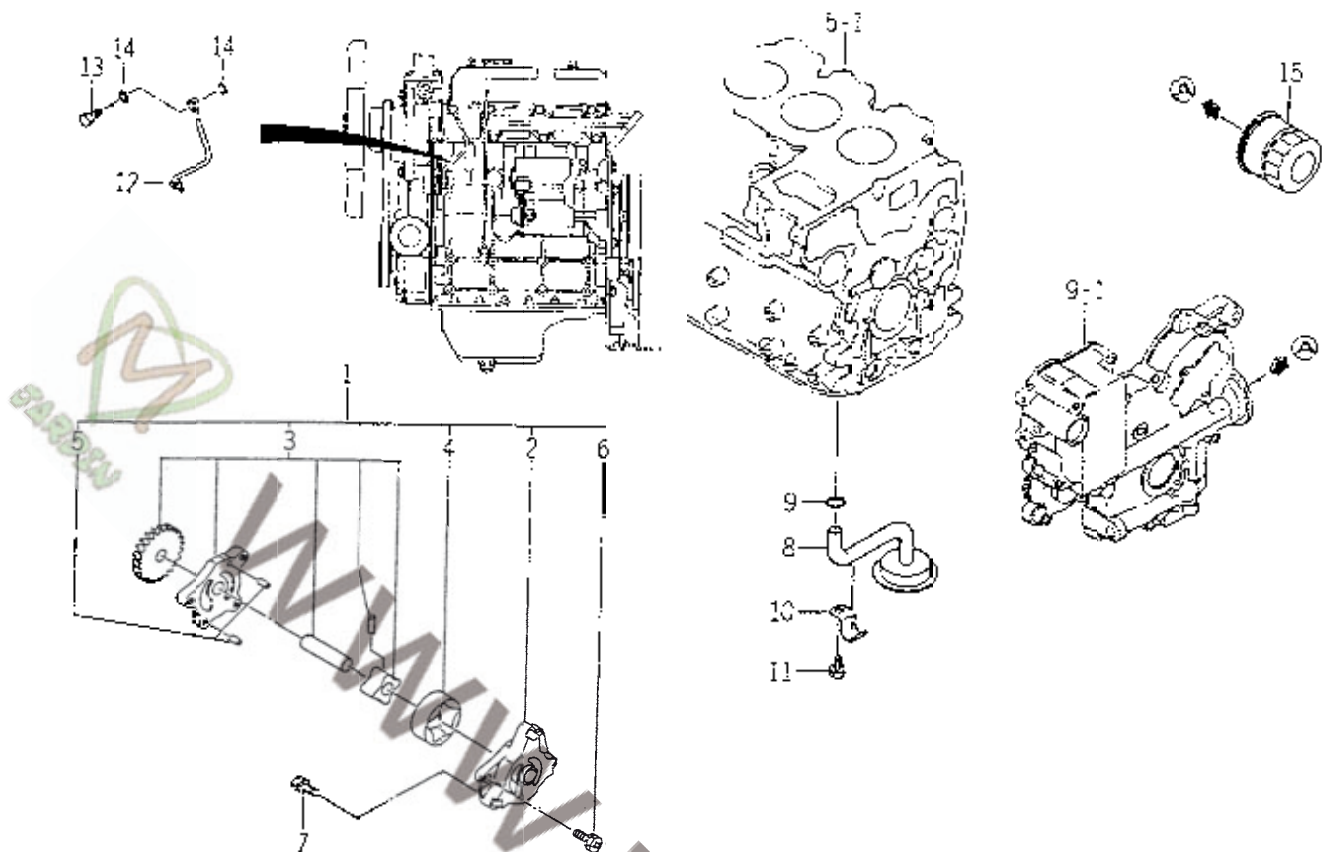








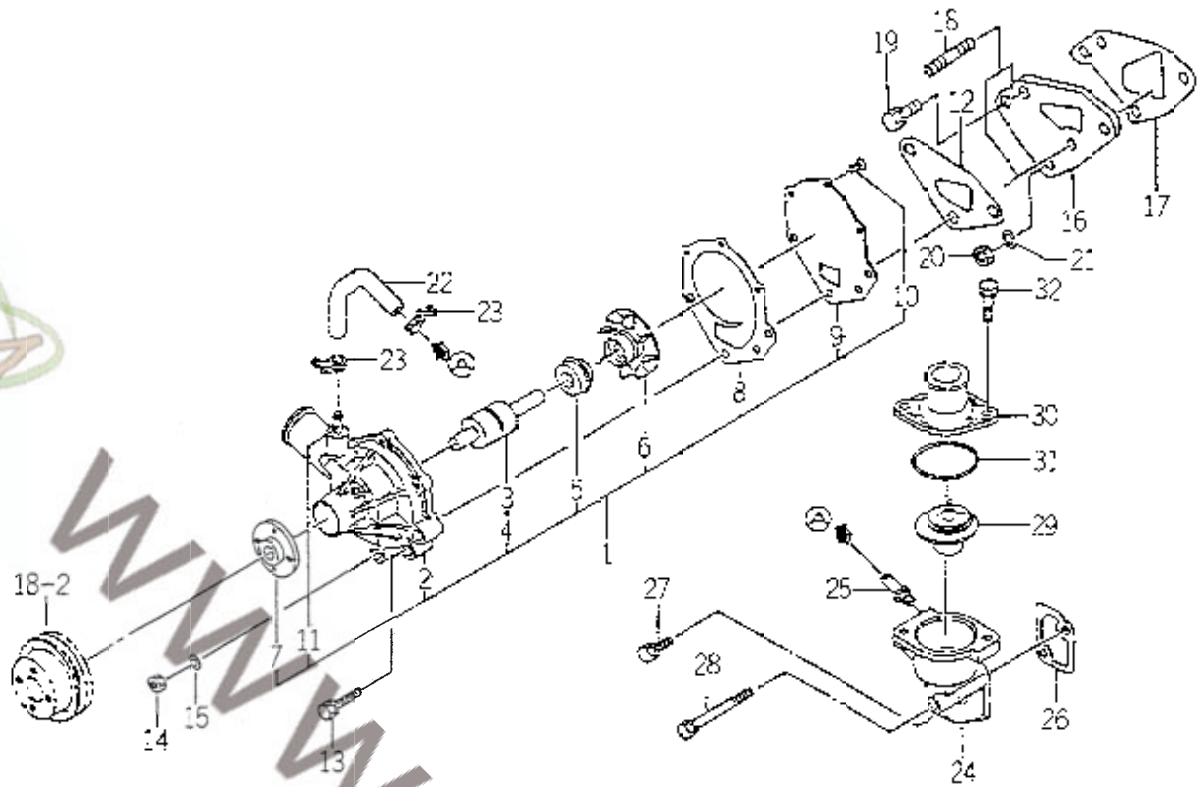
FIG. 16 OIL PUMP



622-11

KEY	PART CODE	DESCRIPTION	QTY	TYPE OF MODEL		I T C	C O	G R P	REMARKS
				E374 -G					
1	6213 - 108 - 003 - 20	PUMP,OIL ASSY	1	*					
2	6213 - 111 - 001 - 20	BODY/OIL PUMP	1	*					
3	6213 - 120 - 003 - 00	GEAR/OIL PUMP ASSY	1	*					
4	6213 - 125 - 001 - 00	ROTOR/OUTER	1	*					
5	6908 - 160 - 408 - 00	PIN/STRAIGHT	2	*					
6	6209 - 009 - 001 - 00	BOLT/WAS	3	*					
7	6901 - 910 - 625 - 00	BOLT	3	*					
8	6213 - 140 - 002 - 00	STRAINER	1	*					
9	V720 - 102 - 401 - 50	O RING/P15	1	*					
10	6213 - 148 - 001 - 00	CLAMP,STRAINER	1	*					
11	6901 - 910 - 816 - 00	BOLT,SEMS/MEX15	1	*					
12	6213 - 311 - 003 - 10	PIPE,OIL	1	*					
13	6909 - 908 - 105 - 10	BOLT,JOIN	1	*					
14	6909 - 920 - 843 - 00	PACKING	2	*					
15	6213 - 240 - 002 - 00	CARTRIDGE,OIL FILTER	1	*					

FIG. 17 WATER PUMP



1014 4121

KEY	PART CODE	DESCRIPTION	QTY	TYPE OF MODEL		I T C	C O L	G R P	REMARKS
				F314 -E					
1	6213 - 610 - 005 - 30	WATERPUMP ASSY	1	*					
2	6213 - 611 - 003 - 20	BODY/WATERPUMP	1	*					
3	6213 - 631 - 002 - 00	BEARING/WATER PUMP	1	*					
4	6213 - 631 - 005 - 00	BEARING/WATERPUMP	1	*					
5	6213 - 622 - 002 - 10	SEAL SET/WATER PUMP	1	*					
6	6213 - 621 - 003 - 00	ROTOR/WATERPUMP	1	*					
7	6213 - 642 - 002 - 00	SEAL/WATER PUMPPULLE	1	*					
8	6213 - 613 - 002 - 10	GASKET	1	*					
9	6213 - 612 - 004 - 00	PLATE/WATER PUMP	1	*					
10	6213 - 619 - 003 - 00	SCREW/WATER PUMP	3	*					
11	6213 - 618 - 002 - 00	PIPE/WATER PUMP	1	*					
12	6213 - 614 - 003 - 10	GASKET/WATER PUMP	1	*					
13	6901 - 310 - 845 - 00	BOLT,SEMS/M8X45	1	*					
14	6909 - 110 - 508 - 00	NUT/M8	2	*					
15	6909 - 150 - 508 - 00	WASHER	2	*					
16	6213 - 618 - 005 - 00	SPACER,WATER PUMP	1	*					
17	6213 - 614 - 008 - 10	GASKET/SPACER	1	*					
18	6209 - 300 - 002 - 00	STUD	2	*					
19	V211 - 560 - 802 - 00	BOLT/M8X20	1	*					
20	6909 - 110 - 508 - 00	NUT/M8	1	*					
21	6909 - 130 - 508 - 00	WASHER	1	*					
22	6213 - 728 - 001 - 00	HOSE,RUBBER	1	*					
23	J061 - 210 - 015 - 00	CLAMP/WIRE/TC-15	2	*					
24	6213 - 718 - 001 - 40	HOUSING/THEHMCS1A1	1	*					
25	6213 - 721 - 003 - 00	PIPE,PUMP HOUSING	1	*					

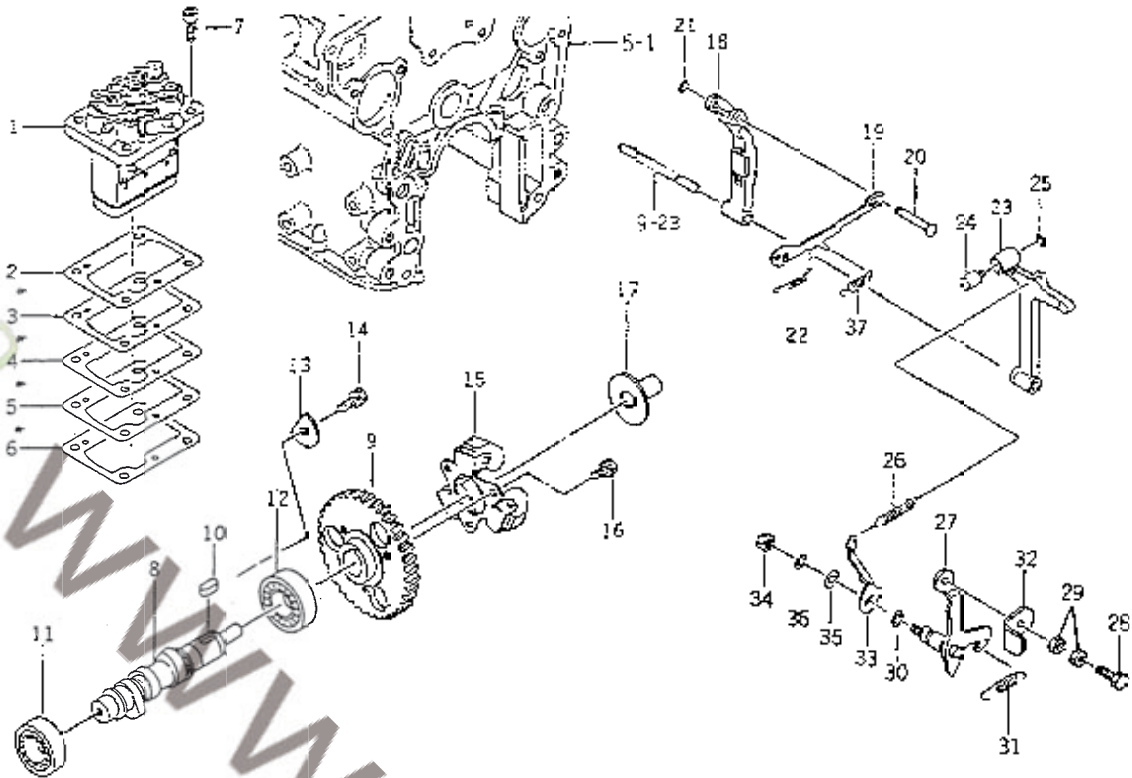








FIG. 20 INJECTION PUMP



BGP110P

KEY	PART CODE	DESCRIPTION	QTY	TYPE OF MODEL		I T C	C O L	G R P	REMARKS
				E374 -C					
1	6215 - 600 - 088 - 00	PUMP, INJECTION ASSY	1	*					FIG 026
2	6219 - 752 - 001 - 00	SHIM, INJECTION PUMP	1	*					
3	6219 - 752 - 002 - 00	SHIM, INJECTION PUMP	1	*					
4	6219 - 752 - 003 - 00	SHIM, INJECTION PUMP	1	*					
5	6219 - 752 - 004 - 00	SHIM, INJECTION PUMP	1	*					
6	6219 - 752 - 005 - 00	SHIM, INJECTION PUMP	1	*					
7	6209 - 056 - 001 - 00	BOLT / M6X8	4	*					
8	6215 - 521 - 006 - 10	SHAFT, CAM / INJ. PUMP	1	*					
9	6212 - 524 - 002 - 00	GEAR, INJ. PUMP	1	*					
10	6908 - 000 - 715 - 00	KEY	1	*					
11	6600 - 110 - 620 - 30	BEARING, RB / E203	1	*					
12	6600 - 110 - 600 - 40	BEARING, RB / E004	1	*					
13	6212 - 535 - 002 - 00	PLATE, THRUST INJ. PUMP	1	*					
14	6901 - 910 - 512 - 00	BOLT, SEMS / M6X12	1	*					
15	6215 - 520 - 001 - 00	FLYWEIGHT	1	*					
16	6209 - 030 - 048 - 00	BOLT / M6X10	3	*					
17	6215 - 525 - 001 - 10	PIECE, THRUST	1	*					
18	6215 - 541 - 001 - 00	ARM, FLOATING	1	*					
19	6215 - 543 - 001 - 10	LINK, CONTROL	1	*					
20	6215 - 542 - 002 - 00	PIN, CONTROL LINK	1	*					
21	V710 - 140 - 004 - 00	RING, SNAP / 4 E	1	*					
22	6215 - 549 - 000 - 00	SPRING, SETTING	1	*					
23	6215 - 541 - 002 - 10	ARM, TENSION	1	*					
24	6215 - 543 - 020 - 00	PIN, ADAPTER	1	*					
25	V710 - 140 - 004 - 00	RING, SNAP / 4 F	1	*					



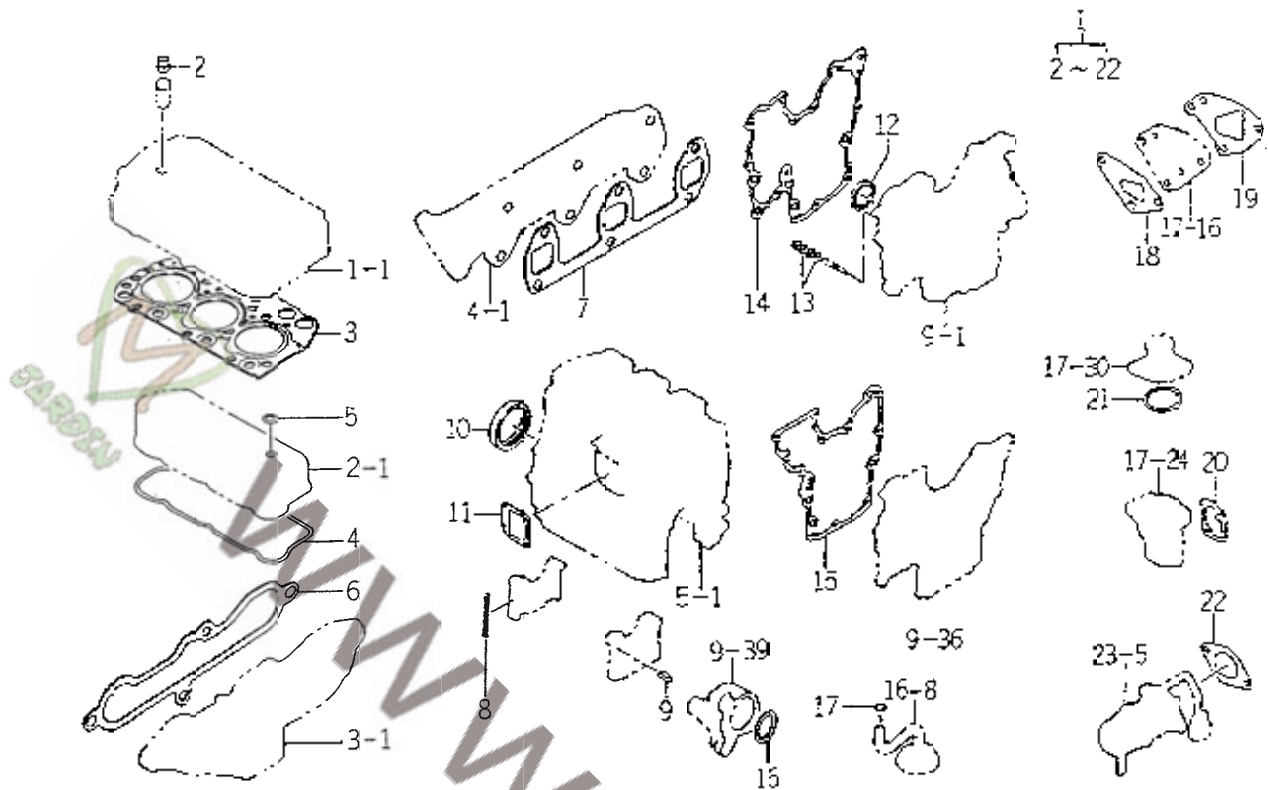








FIG. 24 REPAIR KIT

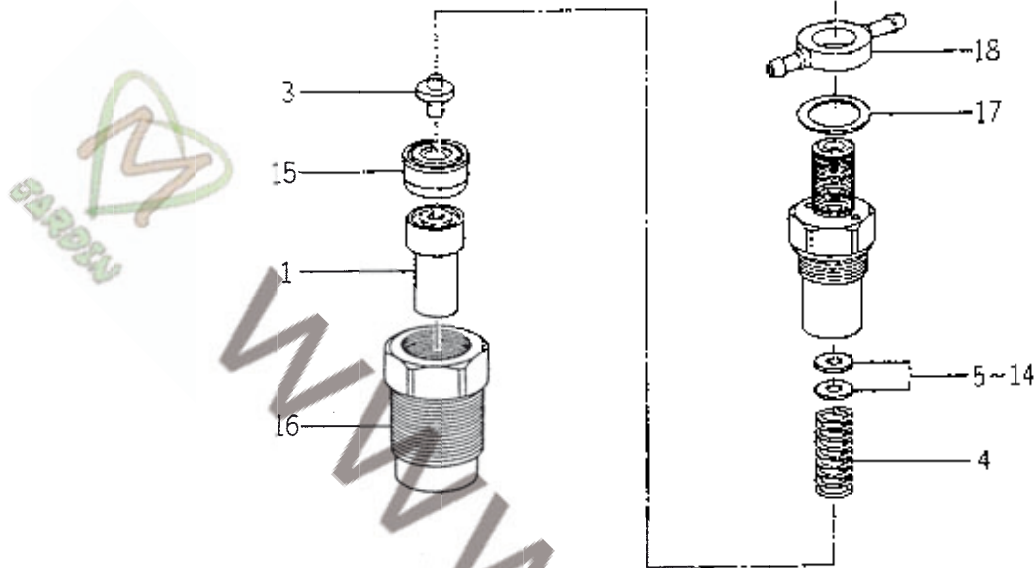


E047-122

KEY	PART CODE	DESCRIPTION	QTY	TYPE OF MODEL		I	C	G	R	REMARKS
				E374	-G					
1	6287-810-004-10	REPAIR/ENGINE SET	1	R						
2	6212-569-002-00	SEAL,CL	6	R						
3	6211-141-007-30	GASKET/CYLINDERHEAD	1	R						
4	6211-173-003-00	SEAL,CYLHEAD COVER	1	R						
5	6909-572-006-00	PACKING	2	R						
6	6214-115-001-20	GASKET,INLET MANIFOLD	1	R						
7	6214-145-001-30	GASKET,EXH.MANIFOLD	1	R						
8	6211-258-001-00	SEAL,BEARING CAP	4	R						
9	6211-258-002-00	SEAL,BEARING CAP//	2	R						
10	6209-625-001-00	SEAL,OIL	1	R						
11	6211-292-001-20	GASKET/COVER	1	R						
12	6209-625-002-00	SEAL,OIL	1	R						
13	6909-920-84E-00	PACKING	4	R						
14	6211-312-001-20	GASKET/GEARCASE	1	R						
15	6211-312-002-20	GASKET/PLATE	1	R						
16	V723-102-004-20	O-RING	1	R						
17	V720-102-401-50	O-RING/P15	1	R						
18	6213-614-003-10	GASKET/WATER PUMP	1	R						
19	6213-614-00E-10	GASKET/SPACER	1	R						
20	6213-743-002-10	GASKET/HOUSING	1	R						
21	V723-102-00E-50	O-RING	1	R						
22	6209-630-002-10	GASKET	1	R						

FIG. 25 6215 - 300 - 005 - 00

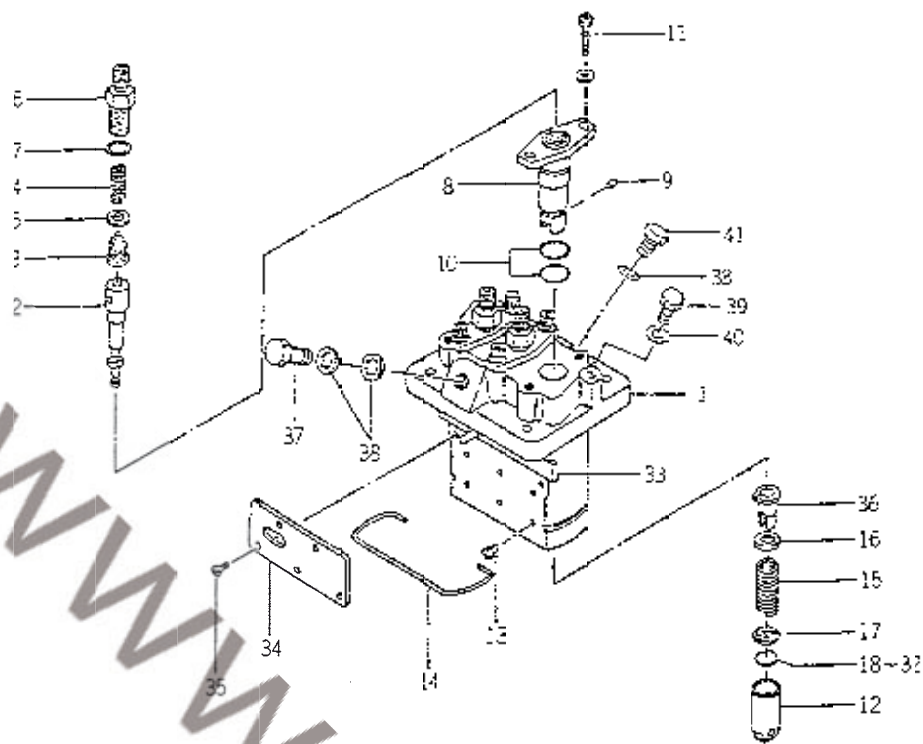
2  
3~19



6923-0023

KEY	PART CODE	DESCRIPTION	QTY	TYPE OF MODEL		I T C	C O L	G R P	REMARKS
				E374 -G					
1	6215 - 311 - 005 - 00	NOZZLE	3	*					
2	6215 - 330 - 007 - 00	HOLDER,NOZZLE ASSY	3	*					
3	6215 - 342 - 002 - 00	SEAT,SPRING	3	*					
4	6215 - 343 - 002 - 00	SPRING,NOZZLE	3	*					
5	6215 - 345 - 044 - 00	SHIM/T = 0.1	3	*					
6	6215 - 345 - 045 - 00	SHIM/T = 0.2	3	*					
7	6215 - 345 - 046 - 00	SHIM/T = 0.3	3	*					
8	6215 - 345 - 047 - 00	SHIM/T = 0.4	3	*					
9	6215 - 345 - 048 - 00	SHIM/T = 0.5	3	*					
10	6215 - 345 - 049 - 00	SHIM/T = 0.52	3	*					
11	6215 - 345 - 050 - 00	SHIM/T = 0.54	3	*					
12	6215 - 345 - 051 - 00	SHIM/T = 0.56	3	*					
13	6215 - 345 - 052 - 00	SHIM/T = 0.58	3	*					
14	6215 - 345 - 053 - 00	SHIM/T = 0.8	3	*					
15	6215 - 339 - 002 - 00	SPACER	3	*					
16	6215 - 337 - 002 - 00	NUT,RETAINING	3	*					
17	6215 - 359 - 003 - 00	GASKET	3	*					
18	6215 - 355 - 003 - 00	EYE	3	*					
19	6215 - 359 - 004 - 00	NUT	3	*					

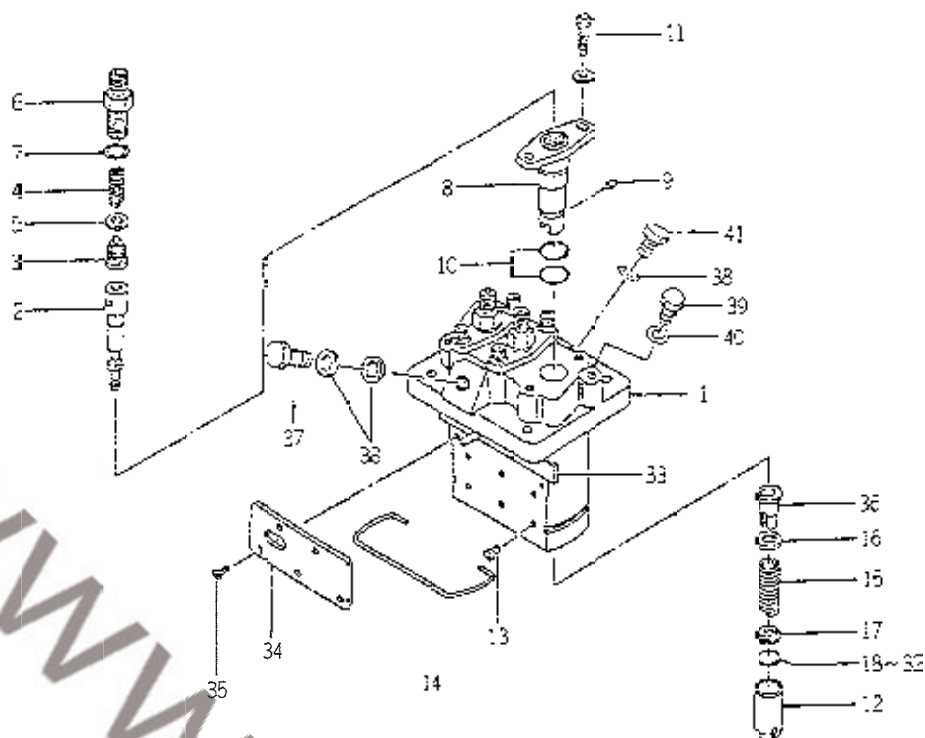
FIG. 26 6215 - 600 - 088 - 00



1023-1112

KEY	PART CODE	DESCRIPTION	QTY	TYPE OF MODEL		I T C	C O L	G R P	REMARKS
				E374 -6					
1	6215 - 611 - 002 - 00	HOUSING,PUMP	1	*					
2	6215 - 631 - 004 - 00	PLUNGER ASSY	3	*					
3	6215 - 641 - 002 - 00	VALVE,DELIVERY	3	*					
4	6215 - 643 - 003 - 00	SPRING,DELIVERYVALVE	3	*					
5	6215 - 649 - 003 - 00	GASKET	3	*					
6	6215 - 644 - 003 - 00	HOLDER,DELIVERYVALVE	3	*					
7	6215 - 649 - 004 - 00	O - RING	3	*					
8	6215 - 635 - 002 - 00	SEAL,FRANGE	3	*					
9	6215 - 649 - 005 - 00	PIN	3	*					
10	6215 - 649 - 006 - 00	O - RING	6	*					
11	6215 - 649 - 007 - 00	SCREW	6	*					
12	6215 - 622 - 007 - 00	TAPPET	3	*					
13	6215 - 629 - 017 - 00	PIN	3	*					
14	6215 - 629 - 018 - 00	RING,SNAP	1	*					
15	6215 - 634 - 002 - 00	SPRING,PLUNGER	3	*					
16	6215 - 639 - 005 - 00	SEAT,SPRING	3	*					
17	6215 - 639 - 007 - 00	SEAT,SPRING	3	*					
18	6215 - 629 - 020 - 00	PLATE/T = 1.80	1	*					
19	6215 - 629 - 021 - 00	PLATE/T = 1.85	1	*					
20	6215 - 629 - 022 - 00	PLATE/T = 1.90	1	*					
21	6215 - 629 - 023 - 00	PLATE/T = 1.95	1	*					
22	6215 - 629 - 024 - 00	PLATE/T = 2.00	1	*					
23	6215 - 629 - 025 - 00	PLATE/T = 2.05	1	*					
24	6215 - 629 - 026 - 00	PLATE/T = 2.10	1	*					
25	6215 - 629 - 027 - 00	PLATE/T = 2.15	1	*					

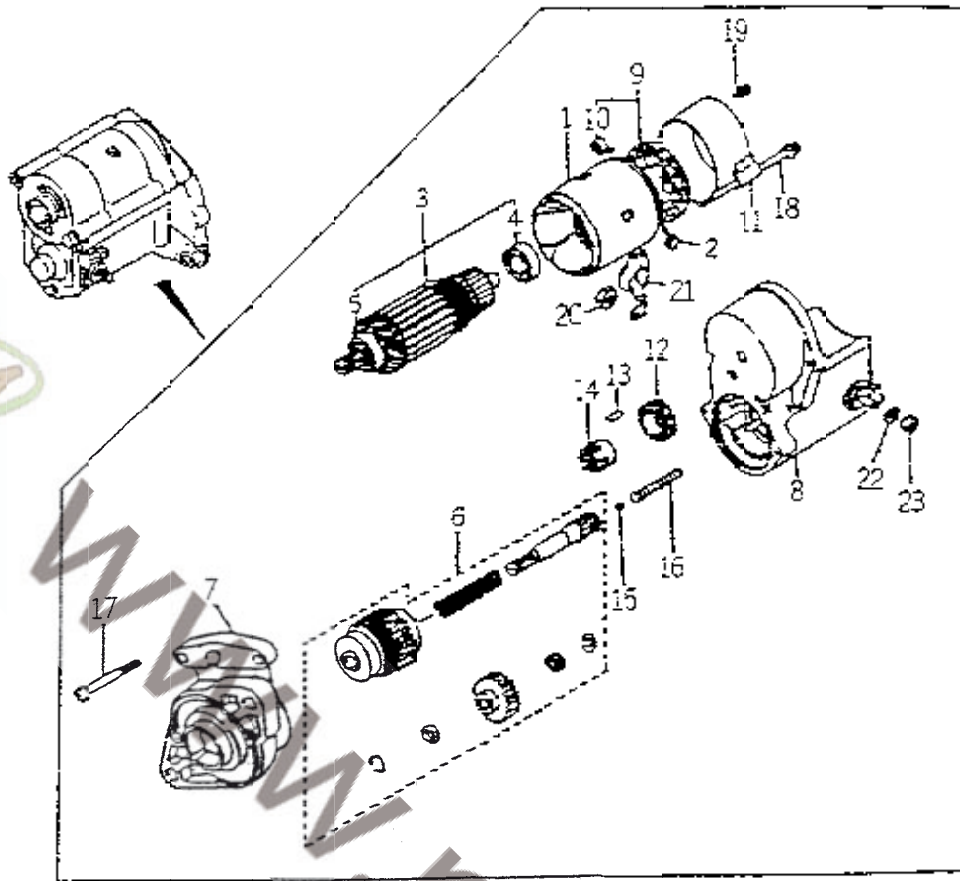
FIG. 26 6215 - 600 - 088 - 00



E374

KEY	PART CODE	DESCRIPTION	QTY	TYPE OF MODEL		I C	C L	P I G	REMARKS
				E374 -C					
25	6215 - 629 - 023 - 00	PLATE/T = 2.20	1	*					
27	6215 - 629 - 029 - 00	PLATE/T = 2.25	1	*					
28	6215 - 629 - 030 - 00	PLATE/T = 2.30	1	*					
29	6215 - 629 - 031 - 00	PLATE/T = 2.35	1	*					
30	6215 - 629 - 032 - 00	PLATE/T = 2.40	1	*					
31	6215 - 629 - 033 - 00	PLATE/T = 2.45	1	*					
32	6215 - 629 - 034 - 00	PLATE/T = 2.50	1	*					
33	6215 - 637 - 002 - 00	RCD,CONTROL	1	*					
34	6215 - 612 - 002 - 00	PLATE	1	*					
35	6215 - 619 - 012 - 00	SCREW	4	*					
36	6215 - 635 - 003 - 00	SLEEVE,CONTROL	2	*					
37	6215 - 619 - 013 - 00	BOLT,EYE	1	*					
38	6215 - 619 - 014 - 00	GASKET	3	*					
39	6215 - 619 - 015 - 00	BOLT	1	*					
40	6215 - 619 - 016 - 00	GASKET	1	*					
41	6215 - 619 - 017 - 00	BOLT AFARNUK	1	*					

FIG. 27 6281 - 100 - 003 - 00



6281 01

KEY	PART CODE	DESCRIPTION	QTY	TYPE OF MODEL		I C	C D	G R P	REMARKS
				E374 -6					
1	6281 - 111 - 002 - 00	YOKE/STARTER	1	*					
2	6281 - 116 - 002 - 00	STARTER KIT	2	*					
3	6281 - 121 - 003 - 00	ARMATURE	1	*					
4	6281 - 129 - 010 - 00	BEARING,BALL	1	*					
5	6281 - 129 - 011 - 00	BEARING,BALL	1	*					
6	6281 - 124 - 001 - 00	STARTER KIT	1	*					
7	6281 - 129 - 007 - 00	HOUSING/STARTER ASSY	1	*					
8	6281 - 151 - 004 - 00	SWITCH/STARTER ASSY	1	*					
9	6281 - 118 - 001 - 00	FOLDER ASSY	1	*					
10	6581 - 117 - 007 - 00	SPRING,BRUSH	4	*					
11	6281 - 115 - 004 - 00	FRAME/STARTER END	1	*					
12	6581 - 123 - 011 - 00	PINION,STARTER	1	*					
13	6581 - 129 - 096 - 00	ROSA	5	*					
14	6581 - 129 - 100 - 00	RETAINER	1	*					
15	6581 - 129 - 092 - 00	BALL	1	*					
16	6581 - 129 - 096 - 00	SPRING	1	*					
17	6281 - 129 - 003 - 00	SCREW	2	*					
18	6281 - 129 - 009 - 00	BOLT/WS	2	*					
19	6281 - 129 - 009 - 00	SCRFW/WS	2	*					
20	6909 - 110 - 508 - 00	NUT	1	*					
21	6281 - 129 - 019 - 00	CAP/HASBETH	4	*					
22	6909 - 150 - 508 - 00	WASHER	1	*					
23	6909 - 110 - 408 - 00	NUT/M8	1	*					





# ENGINE

E374 – G01...SG173H – S

[www.m-jardin.fr](http://www.m-jardin.fr)

ENGINE



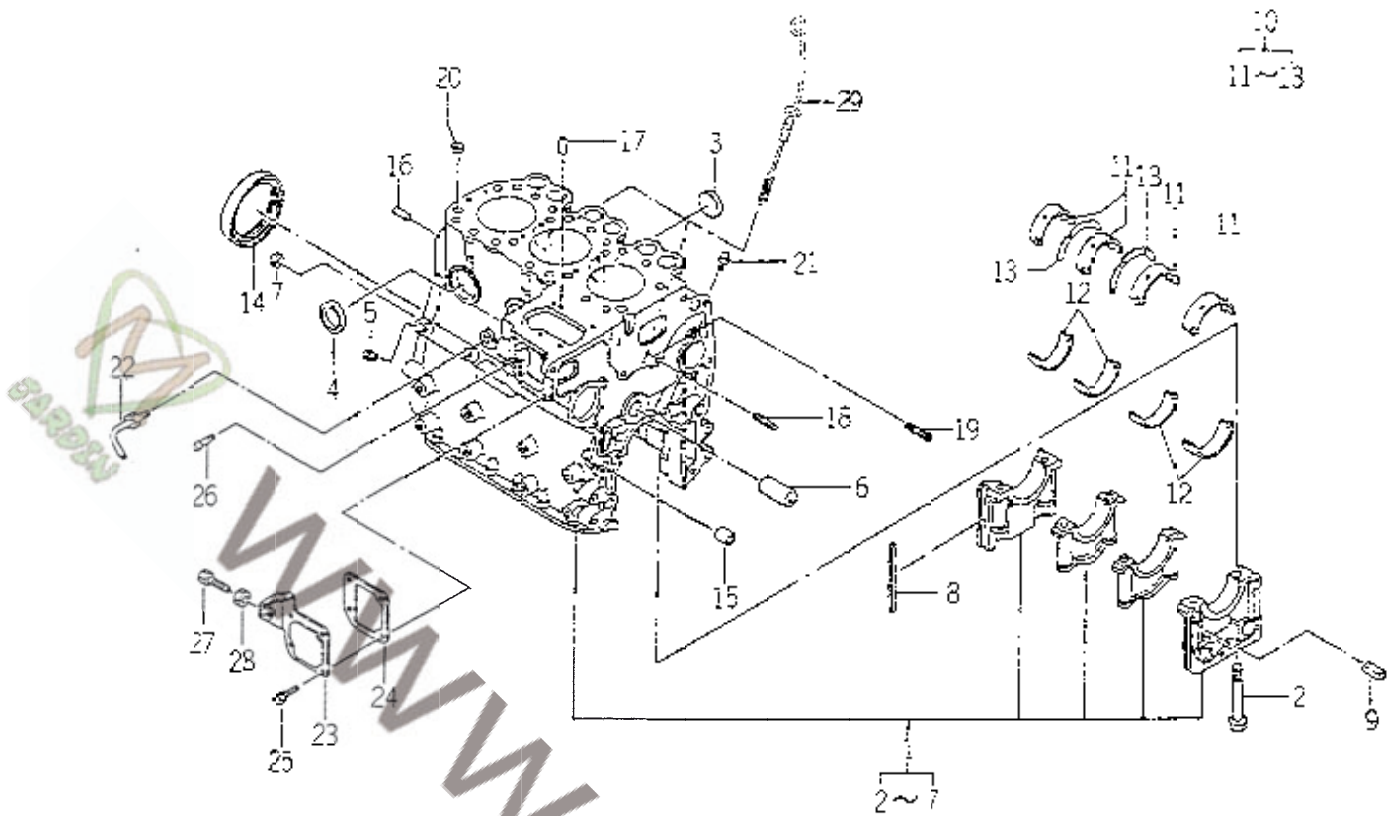








FIG. 5 CYLINDER BLOCK



C03 20.1

KEY	PART CODE	DESCRIPTION	QTY	TYPE OF MODEL		I T C	C O L	G R P	REMARKS
				F374 -SC1					
1	6211 - 210 - 014 - 20	CYLINDER BLOCK ASSY	1	*					
2	6203 000 004 - 00	BOLT	8	*					
3	6203 610 001 00	CAP, SEALING	2	*					
4	6911 - 210 - 19E - 00	CAP, SEALING	4	*					
5	6503 - 605 - 015 - 10	PLUG	3	*					
6	6212 - 531 - 005 - 10	PIN/IDLE GEAR	1	*					
7	6911 - 129 - 08E - 00	CAP, SEALING	1	*					
8	6211 - 258 - 001 - 00	SEAL, BEARING CAP	4	*					
5	6211 - 258 - 002 - 00	SEAL, BEARING CAP/7	2	*					
10	6211 - 510 - 001 - 00	METAL CRANK SET	1	*					
11	6211 - 511 - 003 - 00	BEARING/CRANK/UPPER	4	*					
12	6211 - 511 - 004 - 00	BEARING/CRANK/LOWER	4	*					
13	6211 - 599 - 001 - 10	BEARING, THRUST CRANK	2	*					
14	6203 625 001 00	SEAL, OIL	1	*					
15	6203 - 749 - 001 - 10	PIN, TURE	2	*					
16	6908 - 160 - 816 - 00	PIN	2	*					
17	6908 160 510 00	PIN	2	*					
18	6904 - 110 - 840 - 00	STUD/M8X40	1	*					
19	6904 - 110 - 818 - 00	STUD	1	*					
20	6894 45E 344 00	DOWEL	2	*					
21	6908 - 907 - 299 - 00	NIPPLE	1	*					
22	6213 - 721 - 001 - 00	PIPE, WATER DRAIN	1	*					
23	6211 - 291 - 001 - 10	COVER, INJ PUMP	1	*					
24	6211 - 292 - 001 - 20	GASKET/COVER	1	*					
25	6901 - 910 - 612 - 00	BD: T, SEMS/M5X12	4	*					



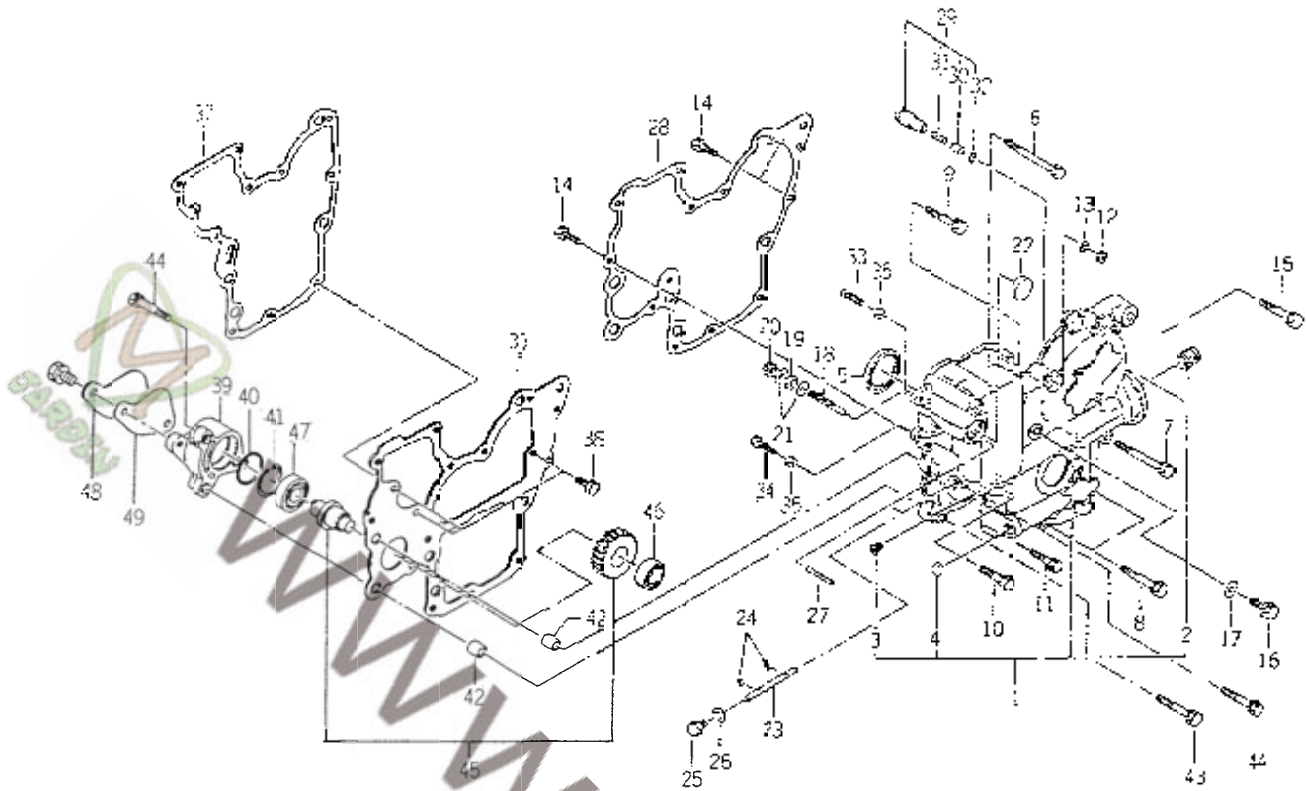






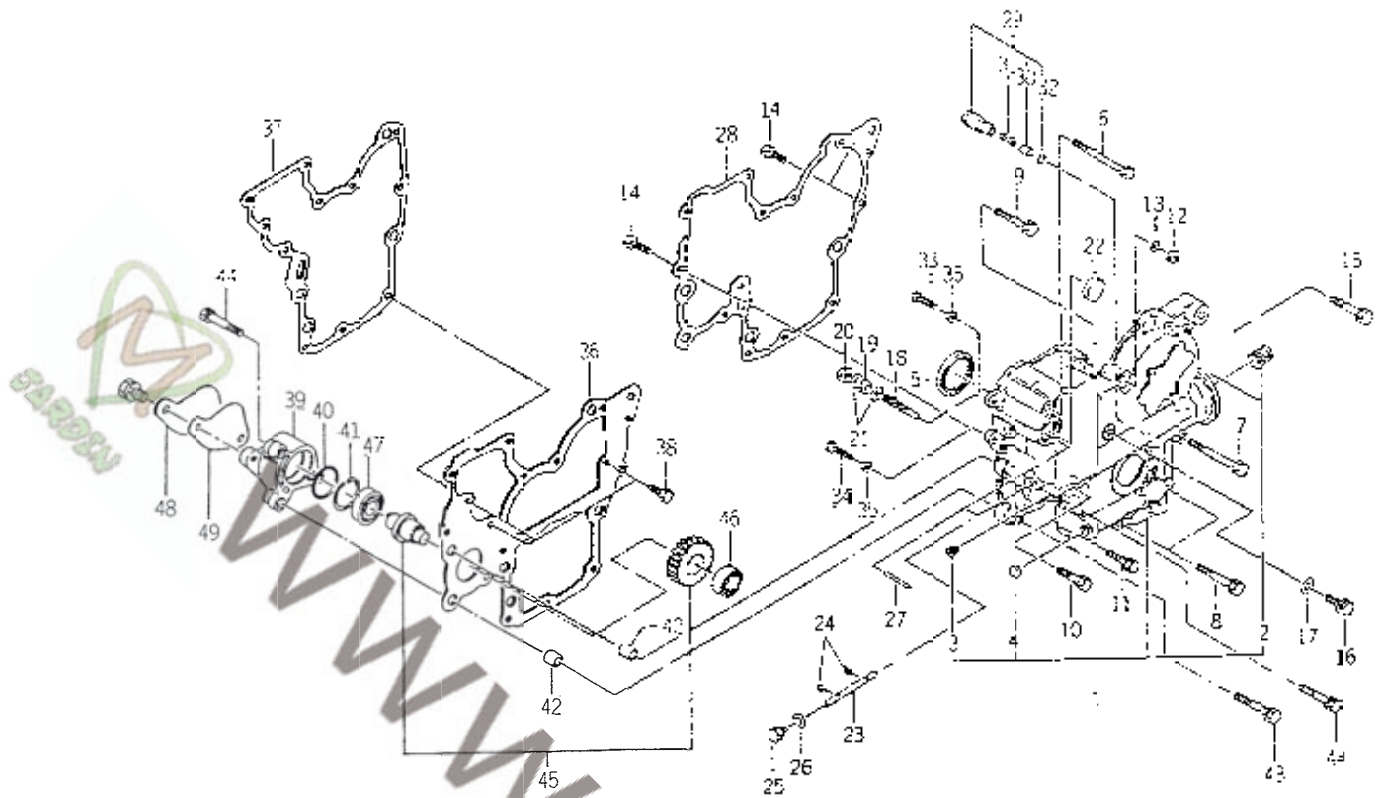


FIG. 9 TIMING GEAR CASE



KEY	PART CODE	DESCRIPTION	QTY	TYPE OF MODEL		I T C	C O L	P R G	REMARKS
				E374 -601					
1	6211 - 310 - 005 - 20	GEARCASE ASSY	1						
2	6213 - 310 - 001 - 00	CONNECTOR, OIL FILTER	1	*					
3	6509 - 606 - 019 - 10	PLUG	3	*					
4	6209 - 810 - 002 - 10	CAP/SEALING/16	1	*					
5	6218 - 825 - 002 - 00	SEA, OIL	1	*					
6	6209 - 030 - 005 - 00	BOLT/M8X85	1	*					
7	6209 - 030 - 006 - 00	BOLT/M8X75	1	*					
8	6509 - 000 - 084 - 00	BOLT/L = 55	2	*					
9	6509 - 030 - 037 - 00	BOLT	2	*					
10	6901 - 910 - 849 - 00	BOLT	1	*					
11	6901 - 910 - 835 - 00	BOLT, SEMS/M3X35	1	*					
12	6909 - 110 - 508 - 00	NUT/M8	1	*					
13	6909 - 150 - 508 - 00	WASHER	1	*					
14	V211 - 550 - 502 - 00	BOLT/M8X20	3	*					
15	6901 - 910 - 845 - 00	BOLT, SEMS/M3X45	1	*					
16	6209 - 040 - 001 - 00	BOLT/M8X30	1	*					
17	6909 - 520 - 843 - 00	PACKING	1	*					
18	6215 - 543 - 001 - 00	STOPPER, FULL LOAD	1	*					
19	6209 - 409 - 001 - 00	NUT/M8	1	*					
20	V341 - 120 - 008 - 00	NUT, CAP/M 8	1	*					
21	6909 - 920 - 843 - 00	PACKING	2	*					
22	3625 - 543 - 004 - 00	CAP, BLANK/35	1	*					
23	6215 - 543 - 001 - 10	PN/ARM	1	*					
24	V710 - 140 - 004 - 00	RING, SNAP / 4 F	2	*					
25	6909 - 202 - 308 - 00	PLUG	1	*					

FIG. 9 TIMING GEAR CASE

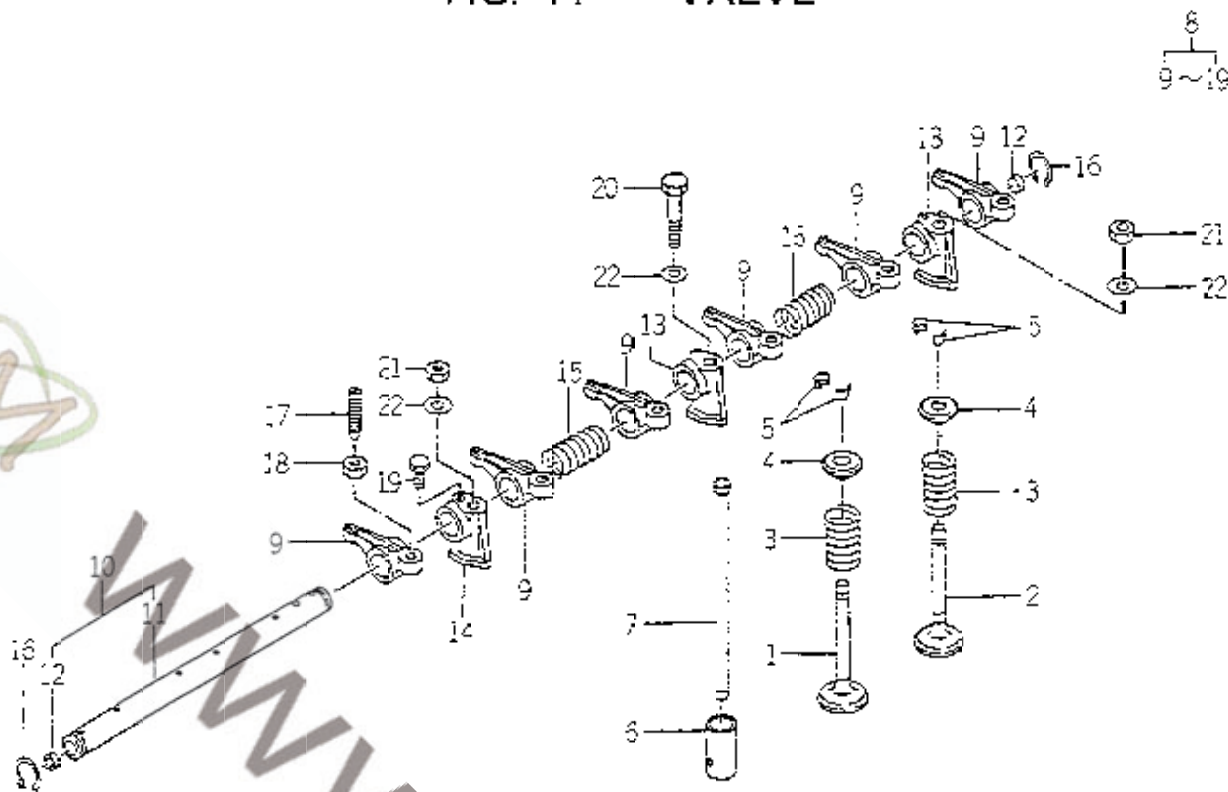


C062107

KEY	PART CODE	DESCRIPTION	QTY	TYPE OF MODEL		I T C	C O L	G R P	REMARKS
				5824 -001					
25	6909 - 820 - 843 - 00	PACKING	1	*					
27	6209 - 740 - 001 - 00	PIN,GROOVE	1	*					
23	6211 - 312 - 001 - 20	GASKET/GEARCASE	1	*					
21	6213 - 160 - 002 - 00	VALVE/RELIEF ASSY	1	*					
31	6213 - 161 - 001 - 00	VISION/RELIEF VALVE	1	*					
31	6213 - 164 - 001 - 00	SPRING/RELIEF VALVE	1	*					
32	V705 - 140 - 012 - 00	RING,SNAP/12 C	1	*					
33	6208 - 050 - 001 - 00	BOLT/M6	1	*					
34	6208 - 050 - 002 - 00	BOLT/M6	1	*					
35	6909 - 110 - 406 - 00	NUT	2	*					
36	6211 - 311 - 004 - 20	PLATE,FRONT	1	*					
37	6211 - 312 - 002 - 20	GASKET/PLATE	1	*					
38	6902 - 050 - 816 - 00	WGL1	3	*					
39	6211 - 319 - 002 - 00	SPACFR,HYD,REAR	1	*					
40	V723 - 102 - 004 - 20	O-RING	1	*					
4	V705 - 140 - 040 - 00	RING,SNAP/40 C	1	*					
42	6209 - 749 - 001 - 10	PIN,1JEE	2	*					
43	6509 - 000 - 084 - 00	BOLT/L = 55	1	*					
44	6901 - 910 - 845 - 00	BOLT,SFMS/MBX45	2	*					
45	6212 - 530 - 004 - 00	SHAFT,HYD. ASSY	1	*					
46	V600 - 110 - 600 - 20	BEARING,RS/E202	1	*					
47	V600 - 110 - 620 - 30	BEARING,RS/E203	1	*					
48	6211 - 321 - 001 - 10	COVER	1	*					
49	6211 - 322 - 003 - 00	GASKET/COVER	1	*					



FIG. 11 VALVE



(FIG. 11)

KEY	PART CODE	DESCRIPTION	QTY	TYPE OF MOD.		I T C	C D L	G R P	REMARKS
				4374 -001					
1	6212 - 551 - 00 - 00	VALVE,INTAKE	3	*					
2	6212 - 552 - 00 - 00	VALVE,EXHAUST	3	*					
3	6212 - 553 - 00 - 00	SPRING,VALVE	6	*					
4	6212 - 553 - 00 - 00	SEAT,VALVE SPRING	6	*					
5	6212 - 565 - 00 - 00	CUTTER,VALVE	12	*					
6	6212 - 571 - 00 - 10	TAPPEL	6	*					
7	6212 - 575 - 00 - 00	ROD,PUSH	6	*					
8	6212 - 300 - 002 - 00	SHAFT,ROCKER ASSY	1	*					
9	6212 - 511 - 004 - 10	ROCKER ARM	6	*					
10	6212 - 620 - 00 - 10	SHAFT,ROCKER ARM ASSY	1	*					
11	6212 - 621 - 002 - 10	SHAFT,ROCKER ARM	1	*					
12	6212 - 626 - 002 - 10	PLUG	2	*					
13	6212 - 628 - 004 - 00	BRACKET,ROCKER SHAFT	2	*					
14	6212 - 628 - 005 - 00	BRACKET,ROCKER SHAFT	1	*					
15	6209 - 940 - 004 - 00	SPRING	2	*					
16	V704 - 140 - 010 - 00	RING,SNAP/16 C	2	*					
17	6212 - 616 - 002 - 00	SCREW,ADJUST	6	*					
18	6209 - 409 - 003 - 00	NUT	6	*					
19	6209 - 000 - 002 - 00	BOLT	1	*					
20	6901 - 050 - 850 - 00	BOLT/MBX45	1	*					
21	6909 - 110 - 505 - 00	NUT/M8	2	*					
22	6909 - 164 - 505 - 00	WASHER,PL/M8	3	*					





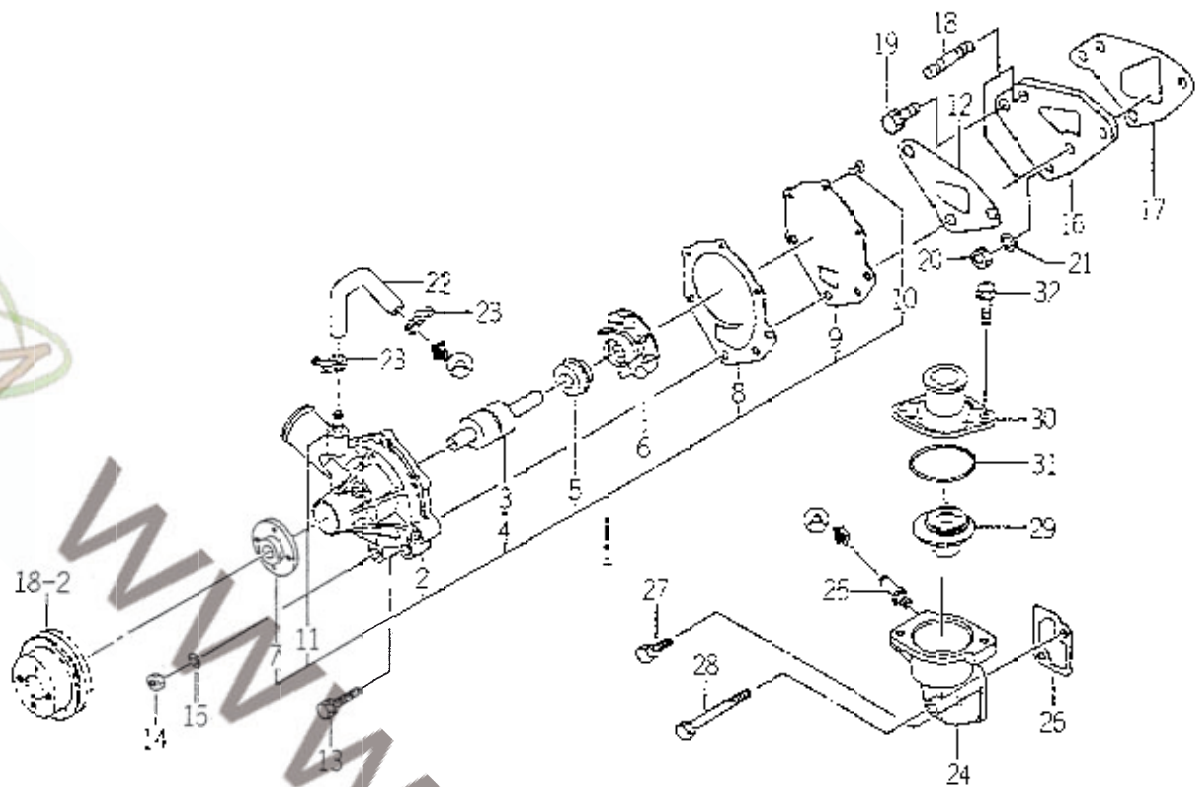








FIG. 17 WATER PUMP



500-4723

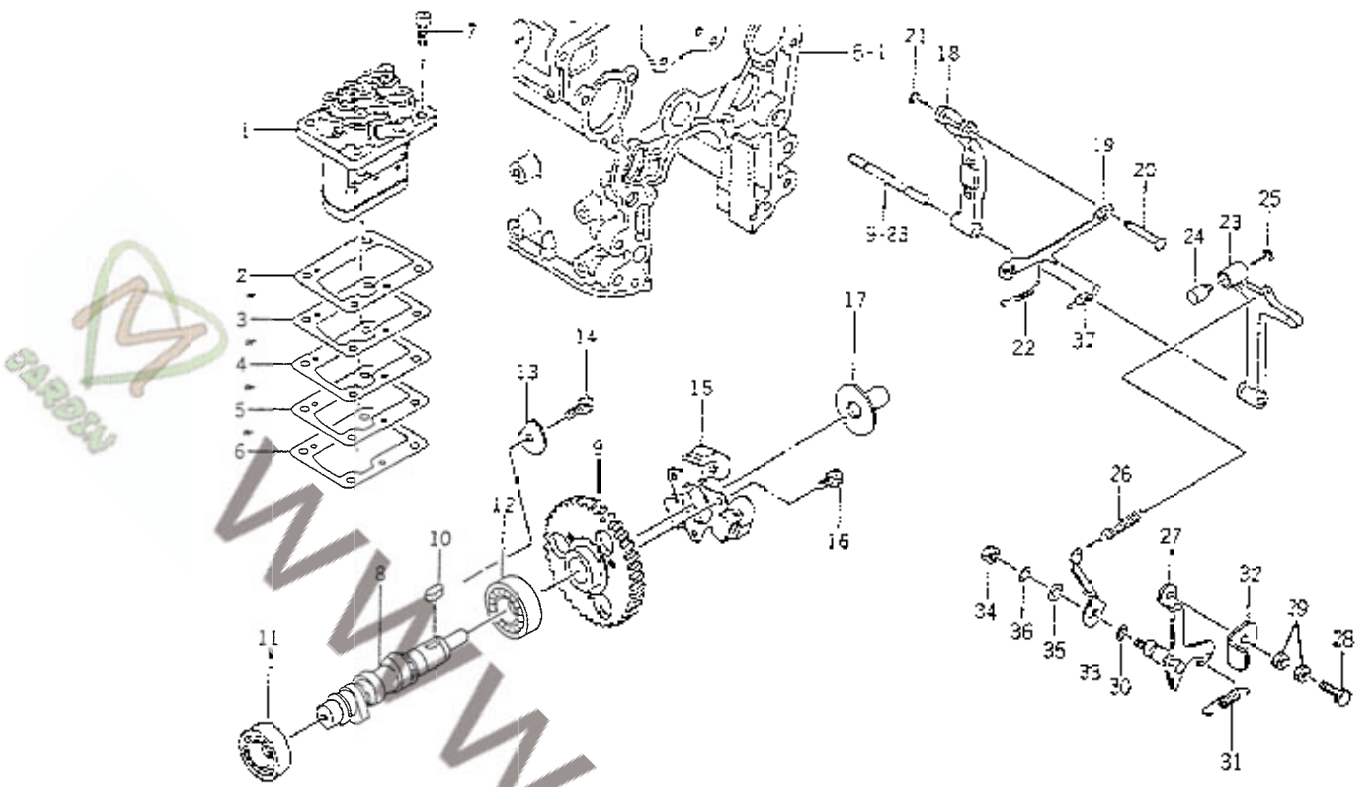
KEY	PART CODE	DESCRIPTION	QTY	TYPE OF MODEL		I T C	C O L	G R P	REMARKS
				5014 -01					
1	6213 610 0C5 - 30	WATERPUMP ASSY	1	*					
2	6213 - 611 0C3 - 20	BODY/WATERPUMP	1	*					
3	6213 631 0C2 - 00	BEARING/WATER PUMP	1	*					
4	6213 - 631 - 0C5 00	BEARING/WATERPUMP	1	*					
5	6213 622 - 0C7 - 10	SEAL SET/WATER PUMP	1	*					
6	6213 - 621 - 0C3 - 00	ROTOR/WATERPUMP	1	*					
7	6213 - 642 - 0G2 - 00	SEAL/WATER PUMP PULLE	1	*					
8	6213 - 613 - 0G2 - 10	GASKET	1	*					
9	6213 - 612 - 0G4 - 00	PLATE/WATER PUMP	1	*					
10	6213 619 - 0G3 - 00	SCREW/WATER PUMP	3	*					
11	6213 - 619 - 0G2 - 00	PIPE/WATER PUMP	1	*					
12	6213 - 614 - 0G3 10	GASKET/WATER PUMP	1	*					
13	6901 - 910 - 845 - 00	BOLT,3EMS./M8X45	1	*					
14	6909 - 110 - 508 - 00	NUT/M8	2	*					
15	6909 - 150 - 508 - 00	WASHER	2	*					
16	6213 - 619 - 0G5 - 00	SPACER,WATER PUMP	1	*					
17	6213 - 614 - 0G3 10	GASKET/SPACER	1	*					
18	6209 - 300 - 002 - 00	STD	2	*					
19	V211 - 560 - 802 - 00	BOLT/M8X20	1	*					
20	5909 110 - 508 - 00	NUT/M8	1	*					
21	6909 - 150 - 503 - 00	WASHER	1	*					
22	6213 - 728 - 001 - 00	HOSE,RUBBER	1	*					
23	J061 - 210 - 015 - 00	CLAMP/WIRE/10 15	2	*					
24	6213 - 718 - 001 - 40	HOUSING, THERMOSTAT	1	*					
25	6213 - 721 - 003 - 00	PIPE,PUMP HOUSING	1	*					







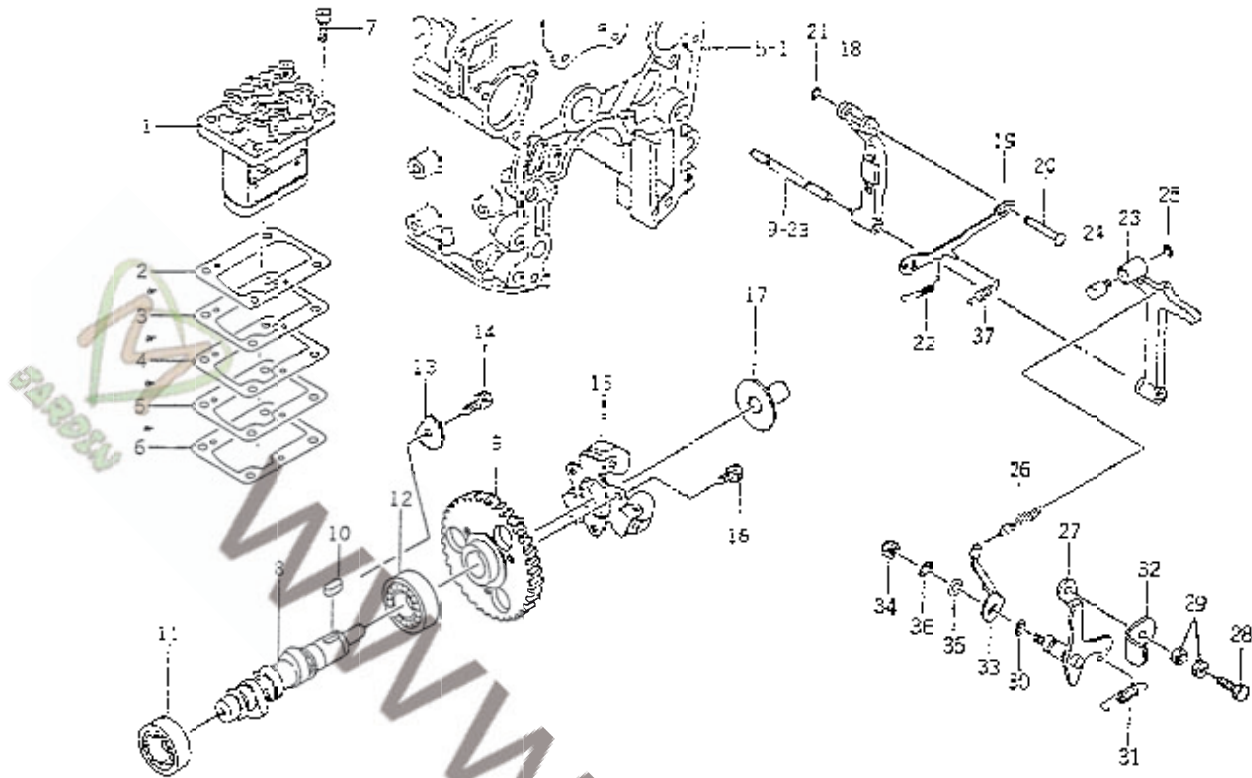
FIG. 20 INJECTION PUMP



600313

KEY	PART CODE	DESCRIPTION	QTY	TYPE OF MODEL	I	C	G	REMARKS
					T	O	R	
					C	-	P	
1	6215 - 600 - 088 - 00	PUMP, INJECTION ASSY	1	*				FIG 026
2	6219 - 752 - 001 - 00	SHIM, INJECTION PUMP	1	*				
3	6219 - 752 - 002 - 00	SHIM, INJECTION PUMP	1	*				
4	6219 - 752 - 003 - 00	SHIM, INJECTION PUMP	1	*				
5	6219 - 752 - 004 - 00	SHIM, INJECTION PUMP	1	*				
6	6219 - 752 - 005 - 00	SHIM, INJECTION PUMP	1	*				
7	6209 - 056 - 001 - 00	BOLT, M6X8	4	*				
8	6215 - 521 - 006 - 10	SHAFT, CAM/INJ. PUMP	1	*				
9	6212 - 524 - 002 - 00	GEAR, INJ. PUMP	1	*				
10	3908 - 000 - 716 - 00	KEY	1	*				
11	V600 - 110 - 620 - 30	BEARING, RB/6203	1	*				
12	V600 - 110 - 600 - 40	BEARING, RB/6004	1	*				
13	6212 - 535 - 002 - 00	PLATE, THRUST INJ. PUMP	1	*				
14	5901 - 910 - 612 - 00	BOLT, SIMS/M6X12	1	*				
15	6215 - 520 - 001 - 00	FLYWEIGHT	1	*				
16	6209 - 030 - 043 - 00	BOLT, M6X10	3	*				
17	6215 - 526 - 001 - 10	PIECE, THRUST	1	*				
18	6215 - 541 - 001 - 00	ARM, FLOATING	1	*				
19	6215 - 543 - 001 - 10	LINK, CONTROL	1	*				
20	6215 - 542 - 002 - 00	PIN, CONTROL LINK	1	*				
21	V710 - 140 - 004 - 00	RING, SNAP/ 4 E	1	*				
22	6215 - 549 - 003 - 00	SPRING, SETTING	1	*				
23	6215 - 541 - 002 - 10	ARM, TENSION	1	*				
24	6215 - 549 - 029 - 00	PIN, ADAPTER	1	*				
25	V710 - 140 - 004 - 00	RING, SNAP/ 4 E	1	*				

FIG. 20 INJECTION PUMP



COP-82

KEY	PART CODE	DESCRIPTION	QTY	TYPE OF MODEL		I T C	C O L	G R P	REMARKS
				E374 -601					
25	6215 - 531 - 005 - 00	SPRING, GOVERNOR	1	*					
27	6215 - 541 - 003 - 10	LEVER, CONTROL	1	*					
26	5203 - 044 - 001 - 00	BOLT / M5X1.8	1	*					
28	5909 - 110 - 406 - 00	NUT	2	*					
30	V720 - 101 - 900 - 80	O - RING / P 8	1	*					
31	6203 - 580 - 002 - 10	SPRING, RETURN	1	*					
32	6215 - 549 - 021 - 00	PLATE, CONTROL VALVE	1	*					
33	5215 - 549 - 007 - 00	ARM, CONTROL	1	*					
34	5909 - 110 - 406 - 00	NUT	1	*					
35	V411 - 260 - 00E - 00	WASHER / M5	1	*					
36	6909 - 150 - 506 - 00	WASHER, SP. 1M6	1	*					
37	6215 - 549 - 006 - 00	SPRING, STARTING	1	*					

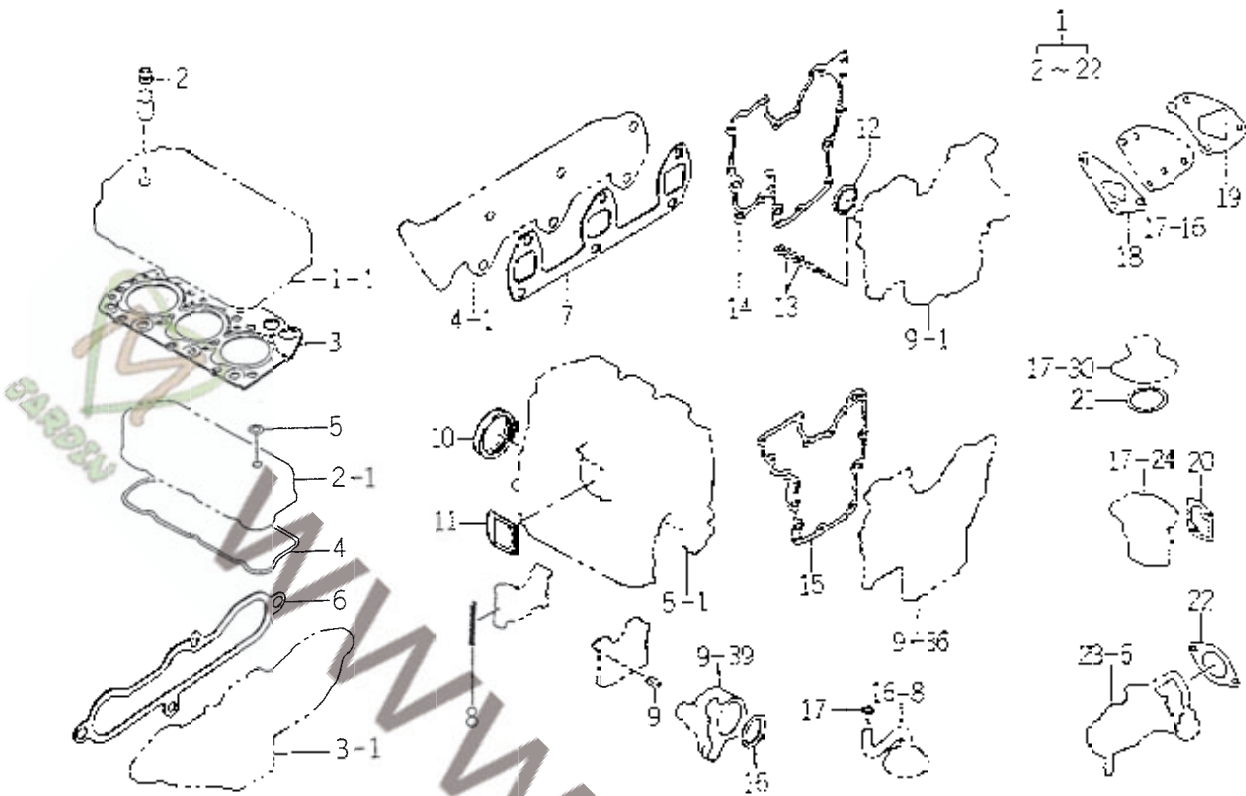








FIG. 24 REPAIR KIT



100 1/8

KEY	PART CODE	DESCRIPTION	QTY	TYPE OF MODEL		I T C	C O L	C P R	REMARKS
				E374 -601					
1	6287 810-004-10	REPAIR/ENGINE SET	1	R					
2	6212-569-007-00	SEA,OIL	6	R					
3	6211 141-007-30	GASKET/CYLINDER HEAD	1	R					
4	6211 173-003-00	SEAL,CYL HEAD COVER	1	R					
5	6909 5/2-008-00	PACKING	2	R					
6	6214-115-001-20	GASKET/INLET MANIFOLD	1	R					
7	6214-145-001-30	GASKET/EXH/VANIFOLD	1	R					
8	6211-258-001-00	SEAL BEARING CAP	4	R					
9	6211-25E-002-00	SEAL BEARING CAP/7	2	R					
10	6209-62E-001-00	SEA,OIL	1	R					
11	6211-292-001-20	GASKET/COVER	1	R					
12	6209-62E-002-00	SEA,OIL	1	R					
13	6909-920-843-00	PACKING	4	R					
14	6211-312-001-20	GASKET/GEARCASE	1	R					
15	6211-312-002-20	GASKET/PLATE	1	R					
16	V723-102-004-20	O-RING	1	R					
17	V720-102-401-50	O-RING/P/S	1	R					
18	6213-614-003-10	GASKET/WATER PUMP	1	R					
19	6213-614-005-10	GASKET/SPACER	1	R					
20	6213-743-007-10	GASKET/HOUSING	1	R					
21	V723-102-005-50	O-RING	1	R					
22	6209-630-002-10	GASKET	1	R					

FIG. 25 6215 - 300 - 005 - 00

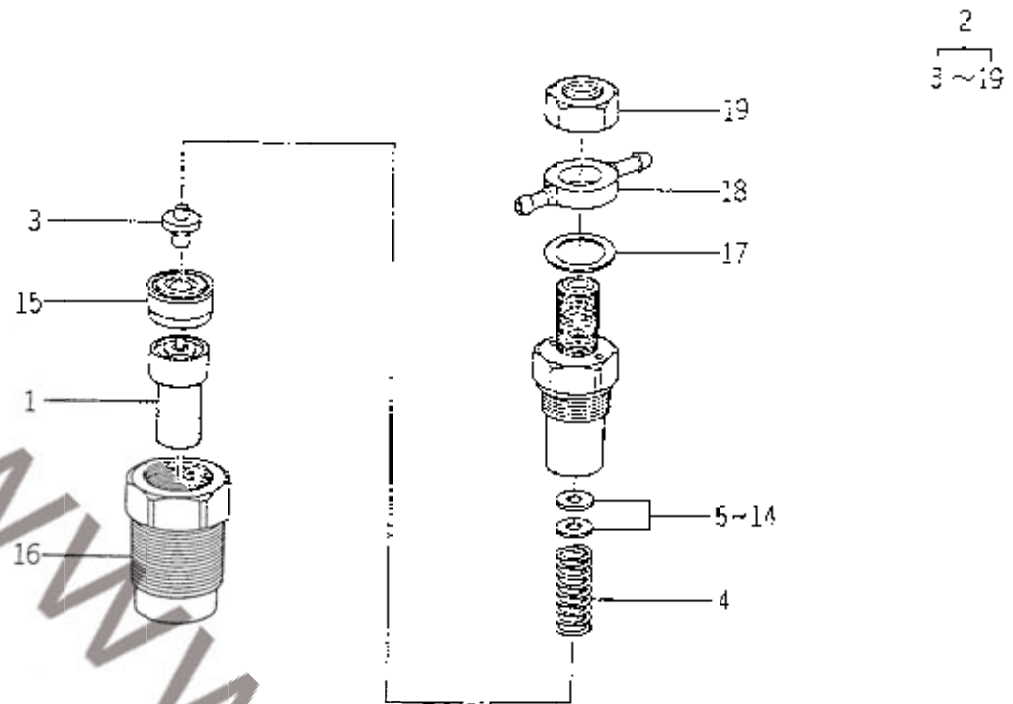
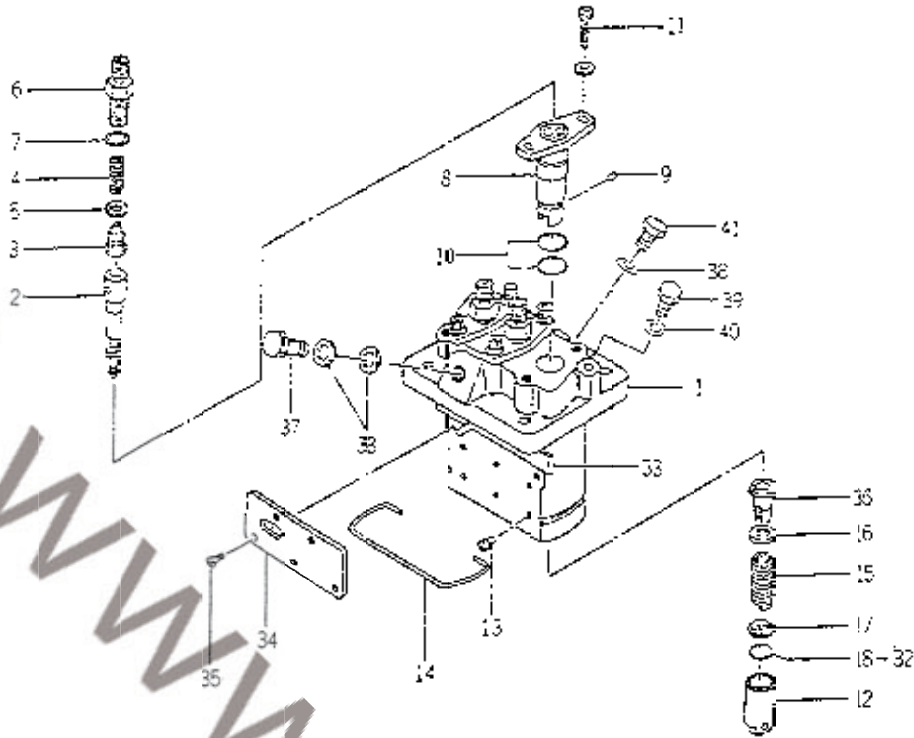


FIG. 25

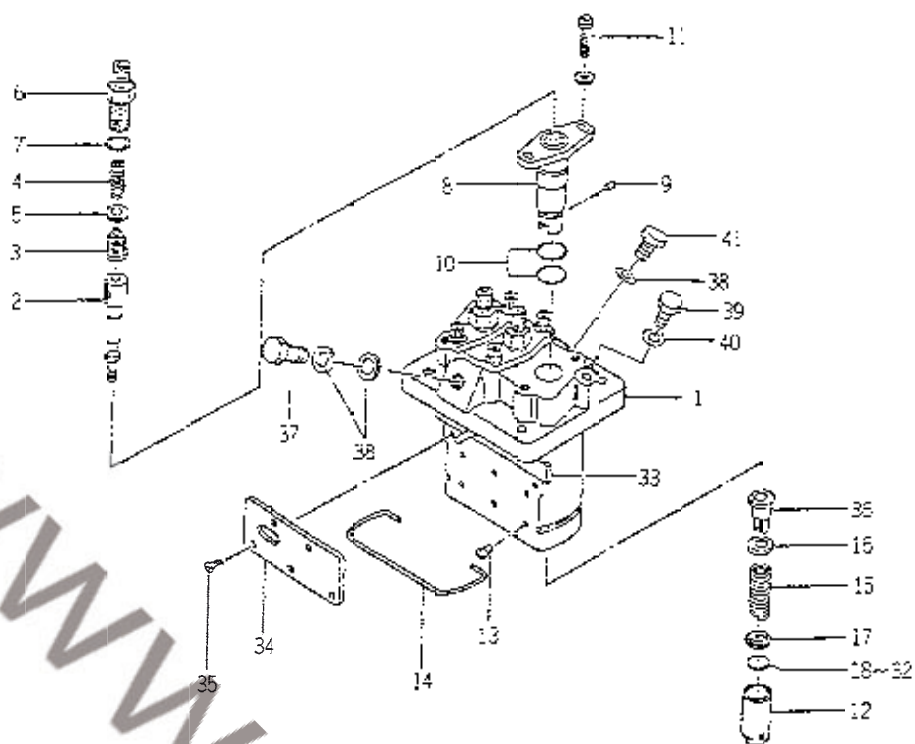
KEY	PART CODE	DESCRIPTION	QTY	TYPE OF MODEL		I T C	C O L	G R P	REMARKS
				1374-00					
1	6215 - 317 - 005 - 00	NOZZLE	3	*					
2	6215 - 330 - 007 - 00	HOLDER,NOZZLE ASSY	3	*					
3	6215 - 342 - 002 - 00	SEAT,SPRING	3	*					
4	6215 - 343 - 002 - 00	SPRING,NOZZLE	3	*					
5	6215 - 345 - 044 - 00	SHIM/T 0.1	3	*					
6	6215 - 345 - 045 - 00	SHIM/T = 0.2	3	*					
7	6215 - 345 - 046 - 00	SHIM/T = 0.3	3	*					
8	6215 - 345 - 047 - 00	SHIM/T = 0.4	3	*					
9	6215 - 345 - 048 - 00	SHIM/T = 0.5	3	*					
10	6215 - 345 - 049 - 00	SHIM/T 0.52	3	*					
11	6215 - 345 - 050 - 00	SHIM/T = 0.54	3	*					
12	6215 - 345 - 051 - 00	SHIM/T = 0.56	3	*					
13	6215 - 345 - 052 - 00	SHIM/T = 0.58	3	*					
14	6215 - 345 - 053 - 00	SHIM/T 0.8	3	*					
15	6215 - 333 - 002 - 00	SPACER	3	*					
16	6215 - 332 - 002 - 00	NUT,RETAINING	3	*					
17	6215 - 359 - 003 - 00	GASKET	3	*					
18	6215 - 355 - 003 - 00	PIE	3	*					
19	6215 - 359 - 004 - 00	NUT	3	*					

FIG. 26 6215 - 600 - 088 - 00



KEY	PART CODE	DESCRIPTION	QTY	TYPE OF MODEL			REMARKS
				E374 -G01	I C	COL	
1	6215 - 611 - 002 - 00	HOUSING,PUMP	1				
2	6215 - 631 - 004 - 00	PLUNGER ASSY	3	*			
3	6215 - 641 - 002 - 00	VALVE,DELIVERY	3	*			
4	6215 - 643 - 003 - 00	SPRING,DELIVERYVALVE	3	*			
5	6215 - 649 - 003 - 00	GASKET	3	*			
6	6215 - 644 - 003 - 00	HOLDER,DELIVERYVALVE	3	*			
7	6215 - 649 - 004 - 00	O - RING	3	*			
8	6215 - 635 - 002 - 00	SLEEVE,FRANGE	2	*			
9	6215 - 649 - 005 - 00	PIN	2	*			
10	6215 - 649 - 006 - 00	O - RING	3	*			
11	6215 - 649 - 007 - 00	SCREW	3	*			
12	6215 - 622 - 002 - 00	TAPPE	3	*			
13	6215 - 649 - 017 - 00	PIN	3	*			
14	6215 - 629 - 018 - 00	RING,SNAP	1	*			
15	6215 - 634 - 002 - 00	SPRING,P. UNCFR	3	*			
16	6215 - 633 - 006 - 00	SEAT,SPRING	3	*			
17	6215 - 633 - 007 - 00	SEAT,SPRING	3	*			
18	6215 - 629 - 020 - 00	PLATE/T = 1.80	1	*			
19	6215 - 629 - 021 - 00	PLATE/T = 1.85	1	*			
20	6215 - 629 - 022 - 00	PLATE/T = 1.90	1	*			
21	6215 - 629 - 023 - 00	PLATE/T = 1.95	1	*			
22	6215 - 629 - 024 - 00	PLATE/T = 2.00	1	*			
23	6215 - 629 - 025 - 00	PLATE/T = 2.05	1	*			
24	6215 - 629 - 026 - 00	PLATE/T = 2.10	1	*			
25	6215 - 629 - 027 - 00	PLATE/T = 2.15	1	*			

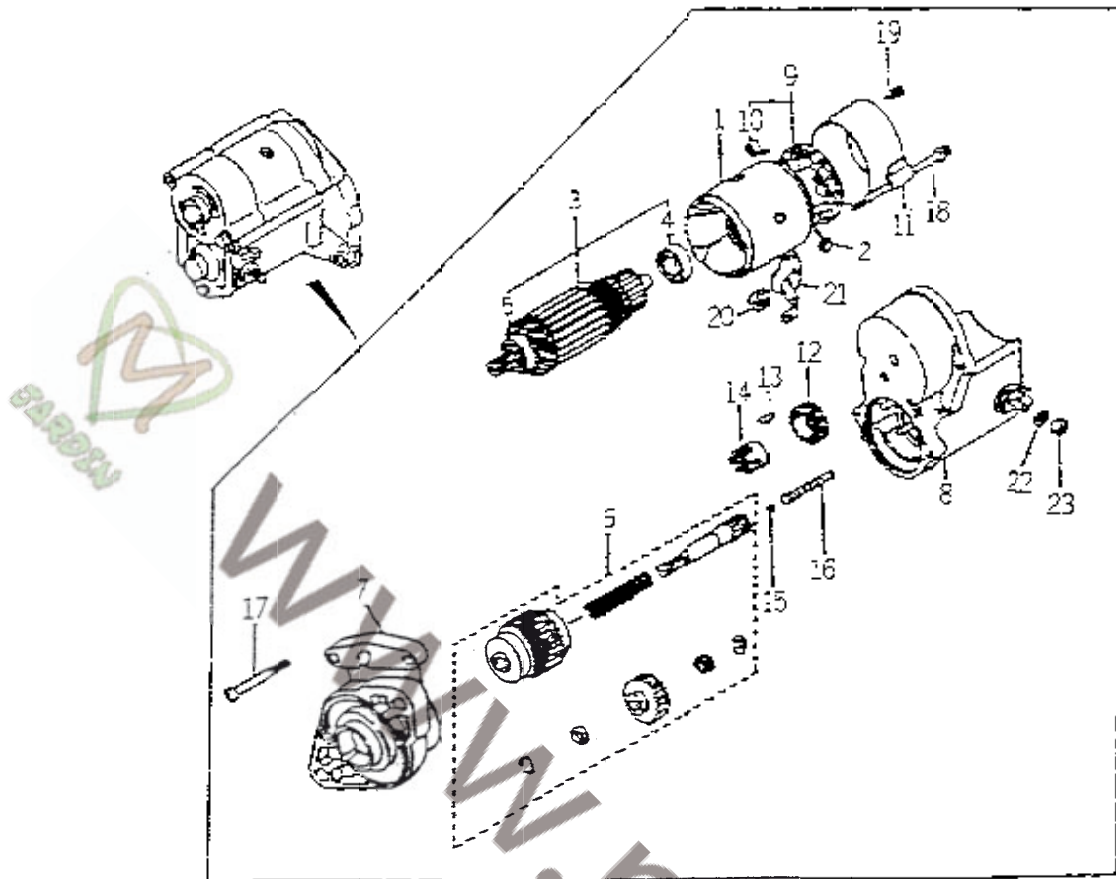
FIG. 26 6215 - 600 - 088 - 00



020-0004

KEY	PART CODE	DESCRIPTION	QTY	TYPE OF MODEL		I T C	C O L	G R P	REMARKS
				F374 -001					
26	6215 - 629 - 028 - 00	PLATE/T = 220	1	*					
27	6215 - 629 - 029 - 00	PLATE/T = 225	1	*					
28	6215 - 629 - 030 - 00	PLATE/T = 230	1	*					
29	6215 - 629 - 031 - 00	PLATE/T = 235	1	*					
30	6215 - 629 - 032 - 00	PLATE/T = 240	1	*					
31	6215 - 629 - 033 - 00	PLATE/T = 245	1	*					
32	6215 - 629 - 034 - 00	PLATE/T = 250	1	*					
33	6215 - 637 - 002 - 00	ROD CONTROL	1	*					
34	6215 - 617 - 002 - 00	PLATE	1	*					
35	6215 - 619 - 012 - 00	SCREW	4	*					
36	6215 - 633 - 003 - 00	SLEEVE CONTROL	3	*					
37	6215 - 619 - 013 - 00	BOLT/EYE	1	*					
38	6215 - 619 - 014 - 00	GASKET	3	*					
39	6215 - 619 - 015 - 00	BOLT	1	*					
40	6215 - 619 - 016 - 00	GASKET	1	*					
41	6215 - 619 - 017 - 00	BOLT ASARNUKI	1	*					

FIG. 27 6281 - 100 - 003 - 00



KEY	PART CODE	DESCRIPTION	QTY	TYPE OF MODEL		I	C	C	G	R	REMARKS
				E374	-601						
1	6281 - 11 - 002 - 00	YOEK/STARTER	1	*							
2	6281 - 116 - 002 - 00	STARTER KIT	2	*							
3	6281 - 12 - 003 - 00	ARMATURE	1	*							
4	6281 - 129 - 010 - 00	BEARING,BALL	1	*							
5	6281 - 129 - 011 - 00	BEARING,BALL	1	*							
6	6281 - 124 - 001 - 00	STARTER KIT	1	*							
7	6281 - 129 - 007 - 00	HOUSING/STARTER ASSY	1	*							
8	6281 - 151 - 004 - 00	SWITCH-/STARTER ASSY	1	*							
9	6281 - 118 - 001 - 00	HOLDER ASSY	1	*							
10	6581 - 117 - 007 - 00	SPRING,BRUSH	4	*							
11	6281 - 115 - 004 - 00	FRAME/STARTER END	1	*							
12	6581 - 123 - 011 - 00	PINION,STARTER	1	*							
13	6581 - 129 - 099 - 00	ROTOR	5	*							
14	6581 - 129 - 100 - 00	RETAINER	1	*							
15	6581 - 129 - 092 - 00	BALL	1	*							
16	6581 - 129 - 096 - 00	SPRING	1	*							
17	6281 - 129 - 006 - 00	SCREW	2	*							
18	6281 - 129 - 008 - 00	BOLT/WS	2	*							
19	6281 - 129 - 009 - 00	SCREW/WS	2	*							
20	6909 - 111 - 503 - 00	NUT	1	*							
21	6281 - 129 - 019 - 00	CAP/HABLER	4	*							
22	6909 - 150 - 508 - 00	WASHER	1	*							
23	6909 - 110 - 408 - 00	NUT/WS	1	*							

FIG. 28 6281 - 200 - 016 - 00

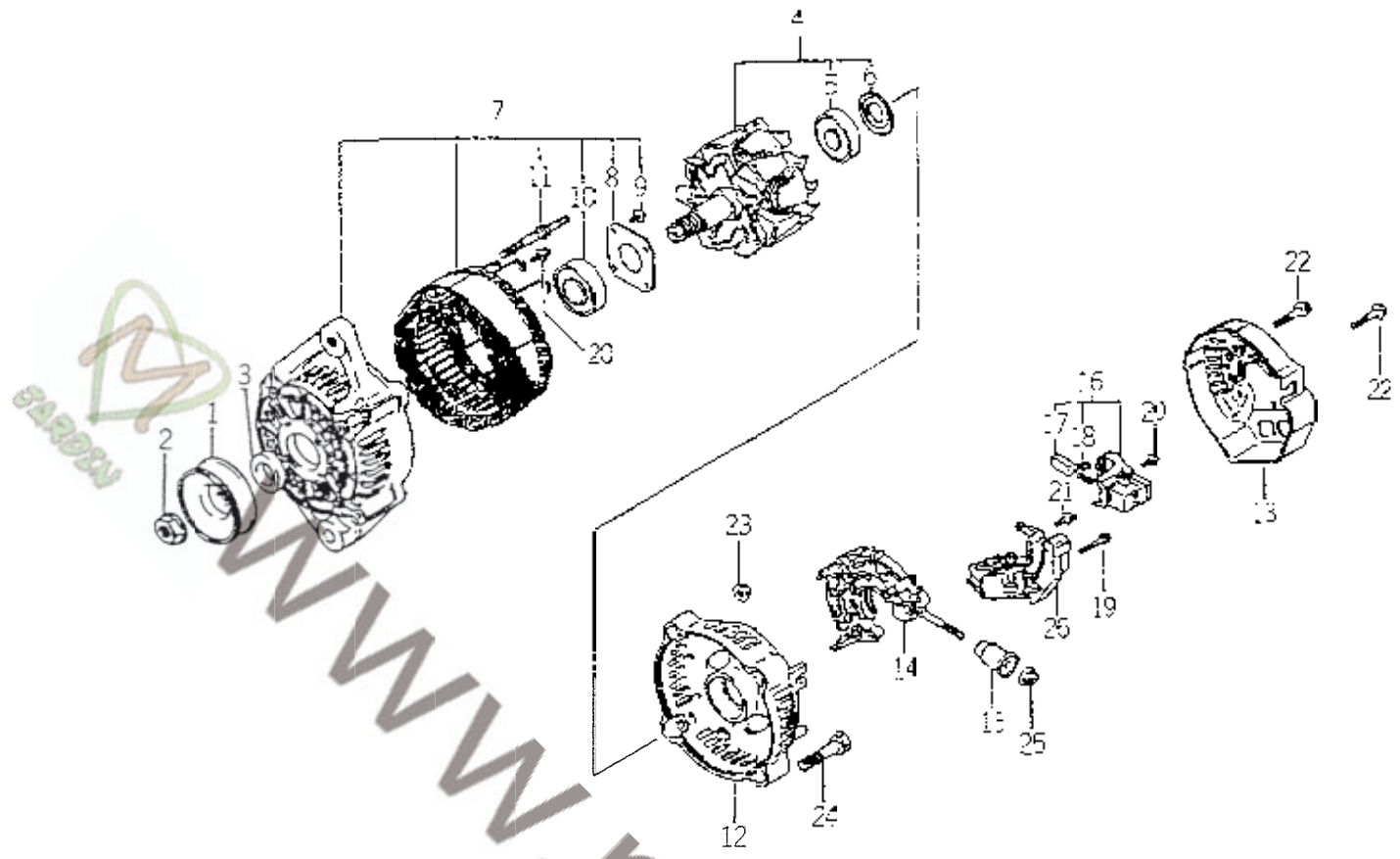


FIG. 28

KEY	PART CODE	DESCRIPTION	QTY	TYPE OF MODEL		I	C	G	R	REMARKS
				E324	-001					
1	6281 - 222 - 004 - 00	PULLEY	1	*						
2	6281 - 229 - 002 - 00	NUT	1	*						
3	6281 - 229 - 003 - 00	COLLER	1	*						
4	6281 - 221 - 001 - 00	ROTOR ASSY	1	*						
5	6281 - 229 - 005 - 00	BEARING	1	*						
6	6281 - 229 - 004 - 00	COVER, BEARING	1	*						
7	6281 - 213 - 003 - 00	FRAME, DRIVE END ASSY	1	*						
8	6281 - 228 - 006 - 00	PLATE	1	*						
9	6281 - 229 - 007 - 00	BOLT	2	*						
10	6281 - 229 - 009 - 00	BEARING	1	*						
11	6281 - 229 - 008 - 00	BOLT	2	*						
12	6281 - 214 - 003 - 00	FRAME	1	*						
13	6281 - 214 - 004 - 00	COVER	1	*						
14	6281 - 229 - 010 - 00	HOLDER ASSY	1	*						
15	6281 - 229 - 011 - 00	BUSH	1	*						
16	6281 - 217 - 001 - 00	HOLDER, BRUSH ASSY	1	*						
17	6281 - 215 - 001 - 00	BRUSH	2	*						
18	6281 - 215 - 001 - 00	SPRING	2	*						
19	6281 - 229 - 012 - 00	BOLT	2	*						
20	6281 - 229 - 013 - 00	BOLT	01	*						
21	6281 - 229 - 014 - 00	BOLT	1	*						
22	6281 - 229 - 015 - 00	BOLT	3	*						
23	6281 - 229 - 016 - 00	NUT	2	*						
24	6281 - 229 - 017 - 00	BOLT	2	*						
25	6281 - 229 - 018 - 00	NUT	1	*						







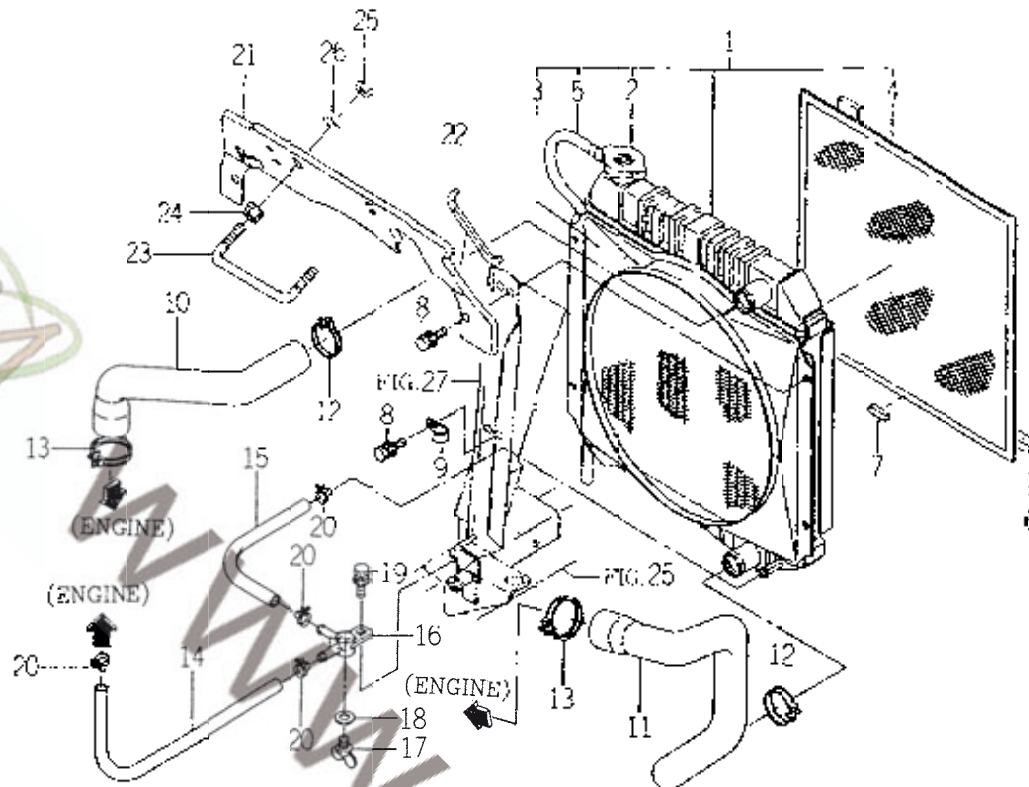
# CHASSIS

[www.m-jardin.fr](http://www.m-jardin.fr)

CHASSIS



FIG. 2 RADIATOR SYSTEM



410 100

KEY	PART CODE	DESCRIPTION	QTY	TYPE OF MODEL			REMARKS
				SG173H			
1	1593 - 102 - 500 - 00	RADIATOR ASSY	1	*			
2	1593 - 102 - 502 - 00	CAP	1	*			
3	1593 - 102 - 503 - 00	SHROUD, FAN	1	*			
4	1593 - 102 - 504 - 00	PROTECTOR, FRONT	1	*			
5	1593 - 102 - 505 - 00	HOSE, VINYL	1	*			
6	1593 - 102 - 005 - 30	SEAL (10X10X340)	1	*			
7	1593 - 102 - 011 - 00	SEAL (10X05X27)	1	*			
8	V211 - 360 - 802 - 00	BOLT (SP) M8X20	4	*			
9	1425 - 621 - 004 - 00	CLAMP, HARNESS	1	*			
10	1593 - 102 - 001 - 10	HOSE, RADIATOR/UP	1	*			
11	1593 - 102 - 002 - 10	HOSE, RADIATOR/LW	1	*			
12	J061 - 232 - 040 - 00	CLAMP/WIRE/32 - 40	2	*			
13	J061 - 238 - 048 - 00	CLAMP/WIRE/38 - 46	2	*			
14	1593 - 102 - 003 - 20	HOSE/270	1	*			
15	1593 - 102 - 004 - 20	HOSE/210	1	*			
16	1560 - 104 - 010 - 40	CONNECTOR	1	*			
17	1424 - 101 - 203 - 00	PLUG	1	*			
18	1424 - 101 - 204 - 00	PACKING	1	*			
19	V211 - 360 - 802 - 00	BOLT (SP) M8X20	1	*			
20	J061 - 210 - 016 - 30	CLAMP/WIRE/10 - 15	4	*			
21	1593 - 102 - 006 - 50	PANEL/RADIATOR	1	*			
22	1593 - 102 - 012 - 00	SEAL (10X05X130)	1	*			
23	1593 - 102 - 009 - 10	HOOK, RADIATOR FAN	1	*			
24	V353 - 260 - 010 - 00	NUT/M10	2	*			
25	V304 - 260 - 010 - 00	NUT	2	*			





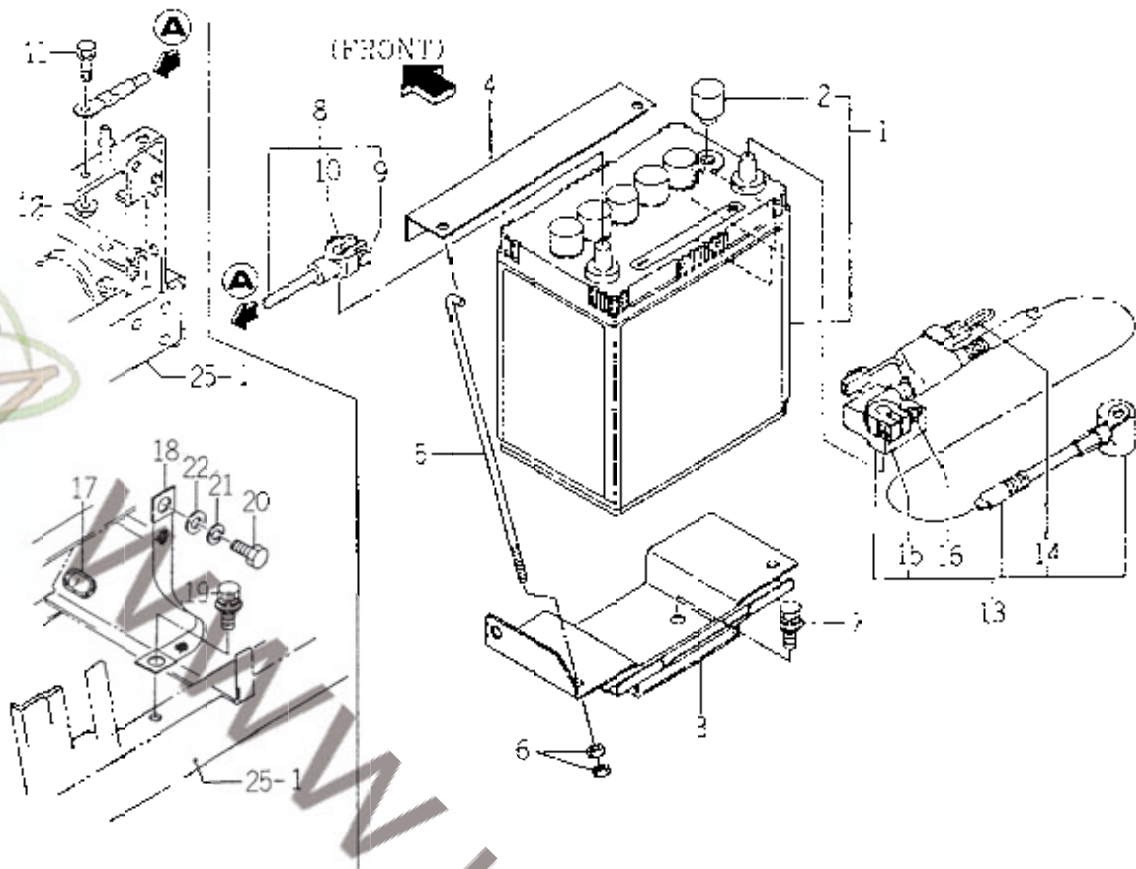








FIG. 6 BATTERY SYSTEM

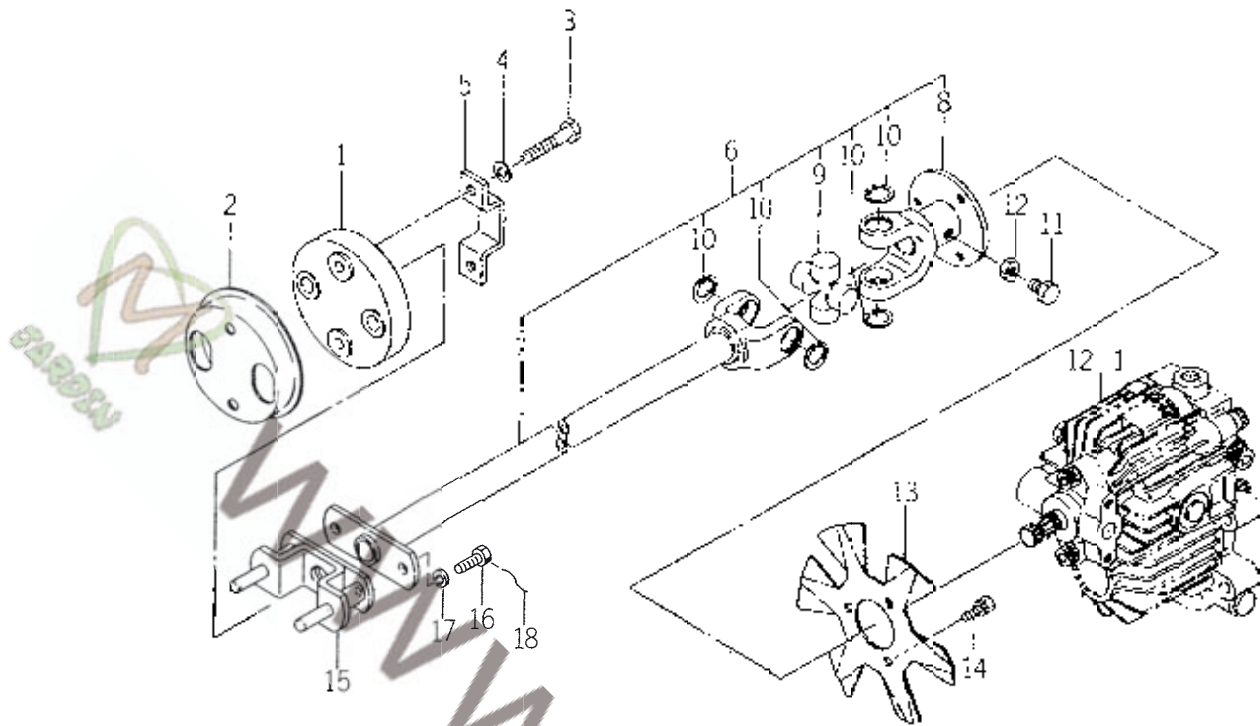


225-12

KEY	PART CODE	DESCRIPTION	QTY	TYPE OF MODEL	I	C	G	REMARKS
				SG173H	T	O	R	
1	1593 112 200 10	BATTERY/38B20L ASSY	1	*				
2	1427 621 002 10	CAP,BATTERY	1	*				
3	1593 112 510 30	PLATE,BATTERY	1	*				
4	1593 112 057 30	HOLDER,BATTERY	1	*				
5	1593 112 002 50	FOOT,BATTERY	2	*				
6	V301 260 000 00	NUT/M 6	4	*				
7	V211 360 802 00	BOLT (SP) V8X20	3	*				
8	1593 112 003 20	CABLE,EARTH	1	*				
9	1593 112 222 00	BOLT/M06X28	1	*				
10	1600 112 232 00	NUT/M06	1	*				
11	V211 260 501 60	BOLT,SEMS (S) M8X16	1	*				
12	V363 260 038 00	NUT,LOCK/M8	1	*				
13	1593 112 520 10	CABLE	1	*				
14	3652 261 202 00	LINK,FUSIBLE	1	*				
15	1600 112 231 00	BOLT/M06X32	1	*				
16	1600 112 232 00	NUT/M06	1	*				
17	1593 623 007 00	GROMMET	1	*				
18	3626 276 003 00	CABLE,WIRE	1	*				
19	V211 361 002 00	BOLT,SEMS	1	*				
20	V203 461 002 00	BOLT/M10X1.25X20	1	*				
21	V401 160 010 00	WASHER,SP/M10	1	*				
22	V411 260 010 00	WASHER/M10	1	*				



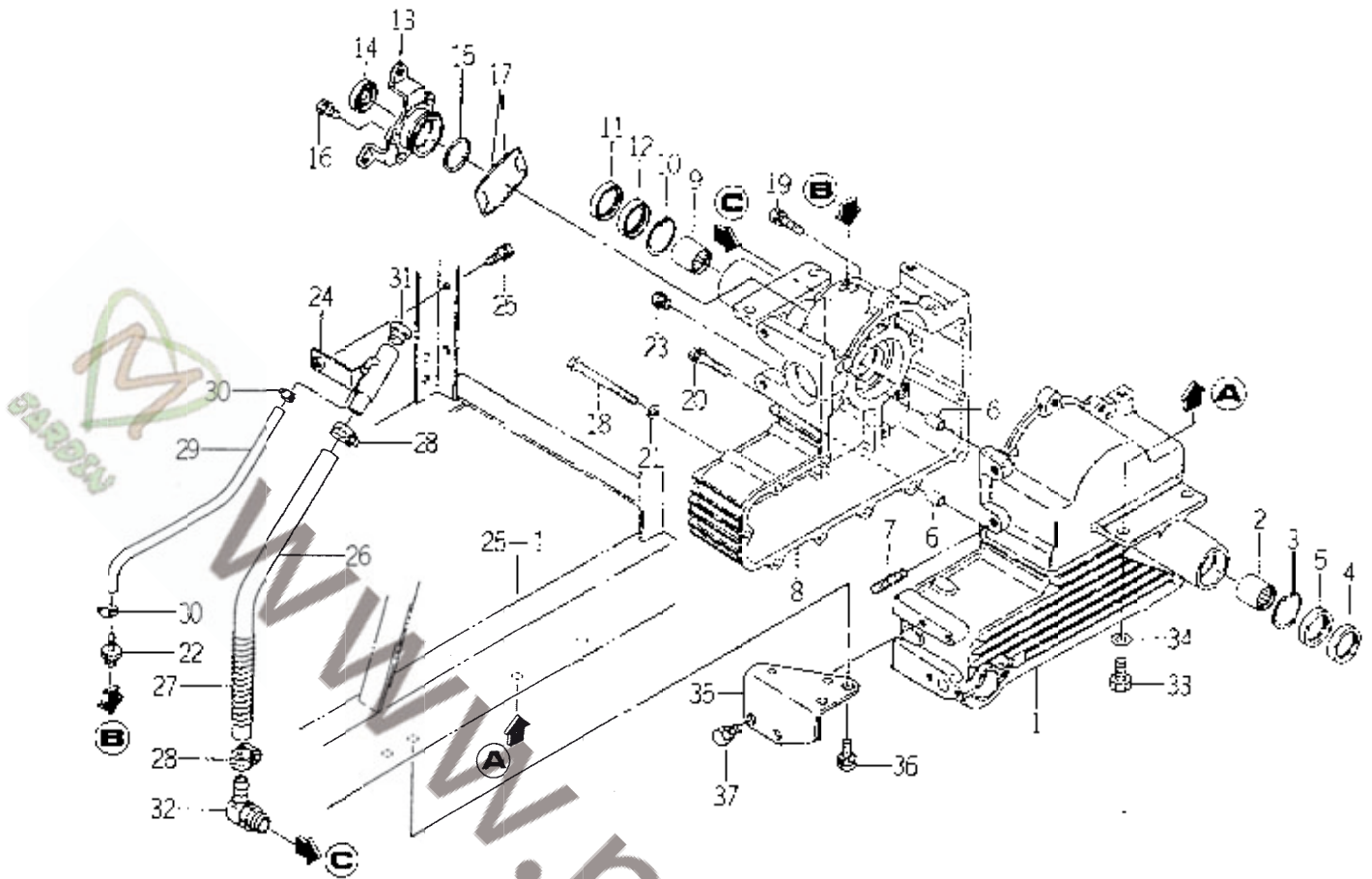
FIG. 8 DRIVE SHAFT SYSTEM



874 72

KEY	PART CODE	DESCRIPTION	QTY	TYPE OF MODEL		I T C	C O -	G R P	REMARKS
				SG173H					
1	1593 - 122 - 051 - 00	COUPLING	1	*					
2	1608 - 122 - 004 - 00	COVER/COUPLING	1	*					
3	V201 - 460 - 804 - 50	BOLT/V8X45	2	*					
4	V401 - 160 - 008 - 00	WASHER,SP/M 8	2	*					
5	1508 - 122 - 003 - 00	PLATE,STOPPER	1	*					
6	1603 - 122 - 200 - 50	JOINT UNIVERSAL ASSY	1	*					
7	1603 - 122 - 210 - 20	JOINT/HST/F COMP	1	*					
8	1603 - 122 - 220 - 20	JOINT/HST/R COMP	1	*					
9	8592 - 01 - 204 - 00	JOURNAL KIT	1	*					
10	V705 - 140 - 020 - 00	RING,SNAP/20 C	2	*					
11	V201 - 460 - 802 - 00	BOLT/V 8X20	1	*					
12	V304 - 460 - 008 - 00	NUT/V8	1	*					
13	1605 - 122 - 002 - 10	FAN (HST)	1	*					
14	V210 - 250 - 601 - 20	BOLT,SEMS	3	*					
15	1608 - 122 - 230 - 10	JOINT,CAP LING	1	*					
16	1416 - 209 - 005 - 00	BOLT	2	*					
17	V401 - 160 - 008 - 00	WASHER,SP/M 8	2	*					
18		WIRE	1	*					

FIG. 9 TRANSMISSION CASE SYSTEM (EXCEPT U TYPE)

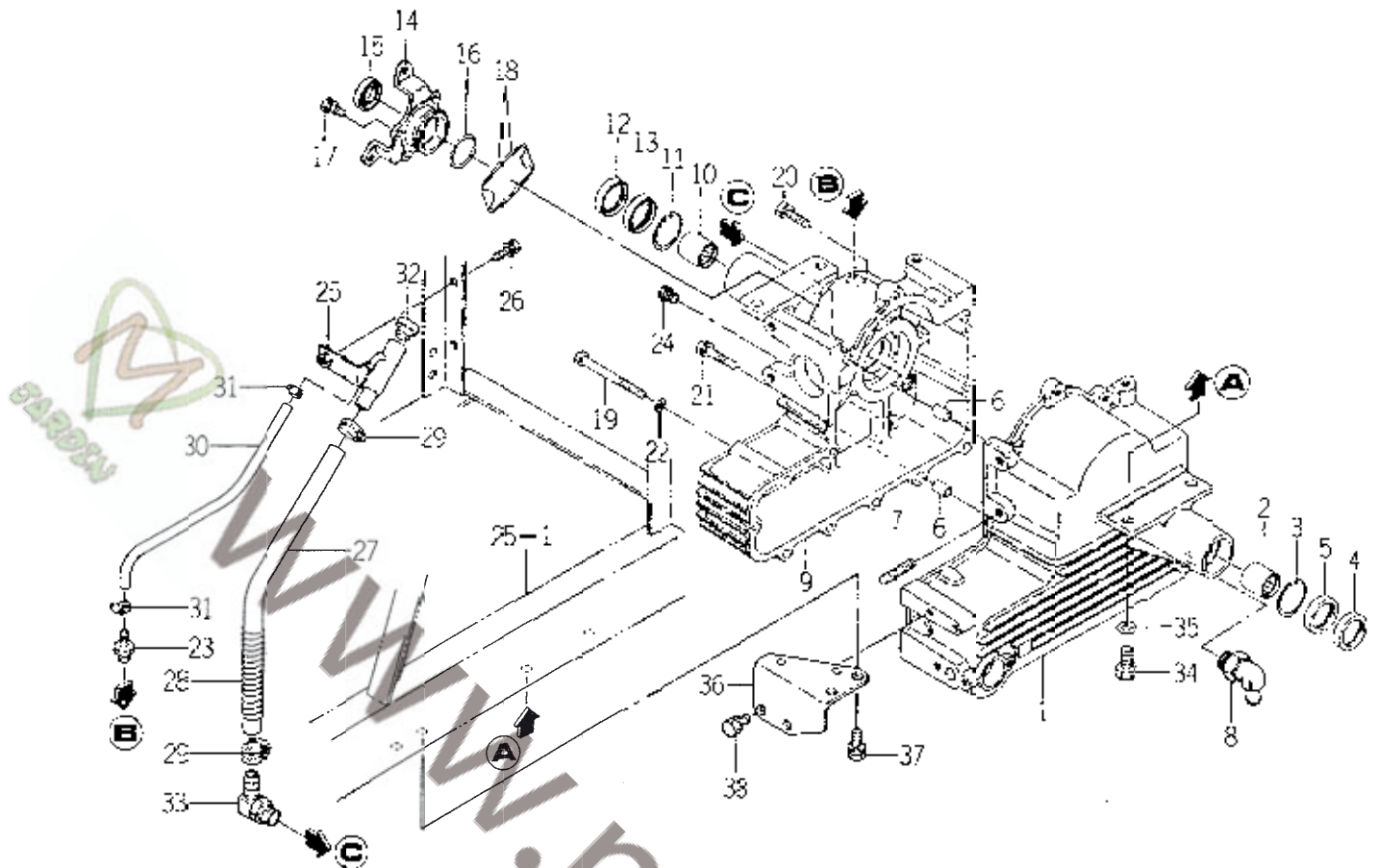


1504 201

KEY	PART CODE	DESCRIPTION	QTY	TYPE OF MODEL		I	C	G	R	REMARKS
				SG173H						
	1608 - 201 - 001 - 40	CASE/TRANSMISSION LH	1	*						
2	V653 - 430 - 403 - 00	BEARING,NR/TA3030Z	1	*						
3	V705 - 140 - 042 - 00	RING,SNAP/42 C	1	*						
4	V744 - 130 - 420 - 80	SEAL,OIL/TC30428	1	*						
5	V740 - 130 - 420 - 80	SEAL,OIL	1	*						
6	3737 - 113 - 006 - 00	PIN,KNOCK	2	*						
7	V251 - 261 - 004 - 50	BOLT/STUD/SEAL	1	*						
8	1608 - 201 - 002 - 30	CASE/TRANSMISSION RH	1	*						
9	V653 - 430 - 403 - 00	BEARING,NR/TA3030Z	1	*						
10	V705 - 140 - 042 - 00	RING,SNAP/42 C	1	*						
11	V744 - 130 - 420 - 80	SEAL,OIL/TC30428	1	*						
12	V740 - 130 - 420 - 80	SEAL,OIL	1	*						
13	1608 - 201 - 004 - 20	METAL,BRAKE	1	*						
14	V744 - 120 - 350 - 70	SEAL,OIL/TC20357	1	*						
15	V721 - 103 - 104 - 50	O RING/S45	1	*						
16	V211 - 260 - 801 - 50	BOLT,SEMS (S) M8X16	4	*						
17	1608 - 201 - 005 - 10	SPRING BRAKE METAL	2	*						
18	V201 - 260 - 806 - 50	BOLT/M 8X95	6	*						
19	V211 - 260 - 803 - 00	BOLT,SEMS	6	*						
20	V211 - 260 - 804 - 00	BOLT,SEMS	1	*						
21	V401 - 150 - 008 - 00	WASHER,SP/M 8	6	*						
22	2137 - 223 - 004 - 00	ADAPTER (STRAIGHT)	1	*						
23	7955 - 201 - 026 - 00	PLUG,DRAIN (1/4)	1	*						
24	1608 - 201 - 200 - 20	PLATE,FILLER DUMP	1	*						
25	V211 - 260 - 802 - 00	BOLT,SEMS (S)	1	*						



FIG. 10 TRANSMISSION CASE SYSTEM (U TYPE)



P/N 1314

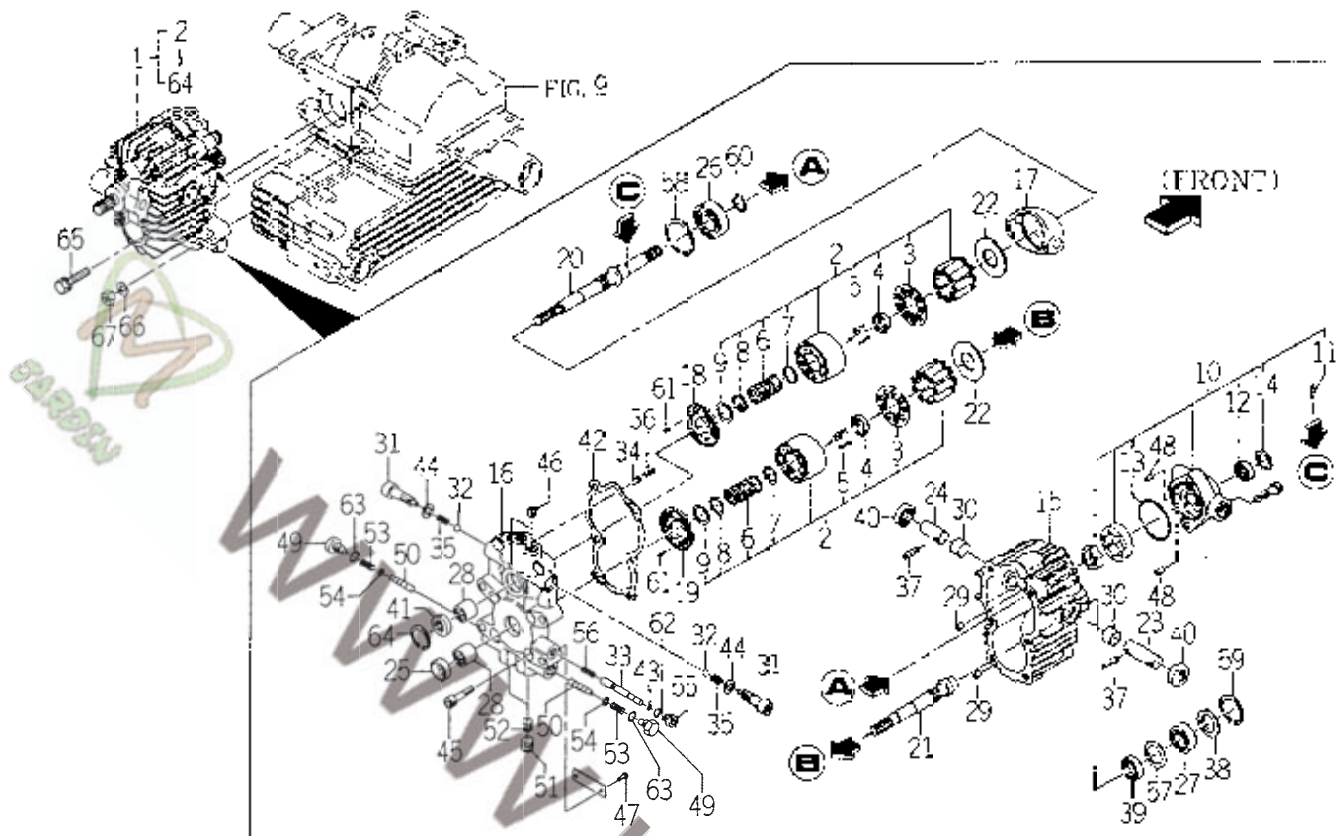
KEY	PART CODE	DESCRIPTION	QTY	TYPE OF MODEL				REMARKS
				SG173H				
1	1631 - 201 - 001 - 00	CASE/TRANSMISSON LH	1	*				
2	V653 - 430 - 403 - 00	BEARING,NR/TA3030Z	1	*				
3	V705 - 140 - 042 - 00	RING,SNAP/42 C	1	*				
4	V744 - 130 - 420 - 80	SEAL,OIL/TC3042B	1	*				
5	V740 - 130 - 420 - 80	SEAL,OIL	1	*				
6	3737 - 113 - 005 - 00	PIN,KNOCK	2	*				
7	V251 - 261 - 004 - 50	BOLT,STLD/SEAL	1	*				
8	3631 - 353 - 001 - 10	ADAPTER (LOW PRESS)	1	*				
9	1608 - 201 - 002 - 30	CASE/TRANSMISSION RH	1	*				
10	V653 - 430 - 403 - 00	BEARING,NR/TA3030Z	1	*				
11	V705 - 140 - 042 - 00	RING,SNAP/42 C	1	*				
12	V744 - 130 - 420 - 80	SEAL,OIL/TC3042B	1	*				
13	V740 - 130 - 420 - 80	SEAL,OIL	1	*				
14	1608 - 201 - 004 - 20	METALBRAKE	1	*				
15	V744 - 120 - 350 - 70	SEAL,OIL/TC20357	1	*				
16	V721 - 103 - 104 - 50	O RING/G45	1	*				
17	V211 - 260 - 801 - 60	BOLT,SEMS (S) M8X15	4	*				
18	1608 - 201 - 005 - 10	SHIM (BRAKE METAL)	2	*				
19	V201 - 260 - 803 - 50	BOLT/M 8X85	6	*				
20	V211 - 260 - 803 - 00	BOLT,SEMS	6	*				
21	V211 - 260 - 804 - 00	BOLT,SEMS	1	*				
22	V401 - 160 - 008 - 00	WASHER,SP/V 8	5	*				
23	2137 - 223 - 004 - 00	ADAPTER (STRAIGHT)	1	*				
24	7955 - 201 - 026 - 00	PLUG,DRAIN (1/4)	1	*				
25	1608 - 201 - 200 - 20	PLATE,FILLER COMP	1	*				







FIG. 12 HST SYSTEM (1)



IN3 128

KEY	PART CODE	DESCRIPTION	QTY	TYPE OF MODEL		I T C	C O L	G R P	REMARKS
				SG173H					
1	1608 - 205 - 200 - 10	HST ASSY	1	*					
2	1608 - 205 - 260 - 00	CYLINDERBLOCK ASSY	2	*					
3	1608 - 205 - 263 - 00	RETAINER PLATE	2	*					
4	1608 - 205 - 264 - 00	RETAINER HOLDER	2	*					
5	1608 - 205 - 265 - 00	PIN	6	*					
6	1608 - 205 - 266 - 00	SPRING	2	*					
7	1608 - 205 - 267 - 00	SPRING HOLDER	2	*					
8	1608 - 205 - 268 - 00	WASHER	2	*					
9	1608 - 205 - 269 - 00	SNAPPING	2	*					
C	1608 - 205 - 280 - 00	CHARGE PUMP ASSY	1	*					
11	1608 - 205 - 283 - 00	PIN	1	*					
12	1608 - 205 - 284 - 00	SEAL OIL	1	*					
13	1608 - 205 - 285 - 00	C - RING	1	*					
14	V7C5 - 140 - 030 - 00	RING SNAP / 30 C	1	*					
15	1608 - 205 - 201 - 00	CASE	1	*					
16	1608 - 205 - 202 - 00	PORT BLOCK	1	*					
17	1608 - 205 - 203 - 00	SLANT GUARD / P	1	*					
18	1608 - 205 - 204 - 00	VALVE PLATE	1	*					
19	1608 - 205 - 205 - 00	VALVE PLATE	1	*					
20	1608 - 205 - 206 - 10	SHAFT / P	1	*					
21	1608 - 205 - 207 - 00	SHAFT / M	1	*					
22	1608 - 205 - 208 - 00	THRUST PLATE	2	*					
23	1608 - 205 - 209 - 00	TRUNNION PIN	1	*					
24	1608 - 205 - 211 - 00	TRUNNION PIN	1	*					
25	1608 - 205 - 212 - 00	OCCLEA	1	*					

FIG. 12 HST SYSTEM (1)

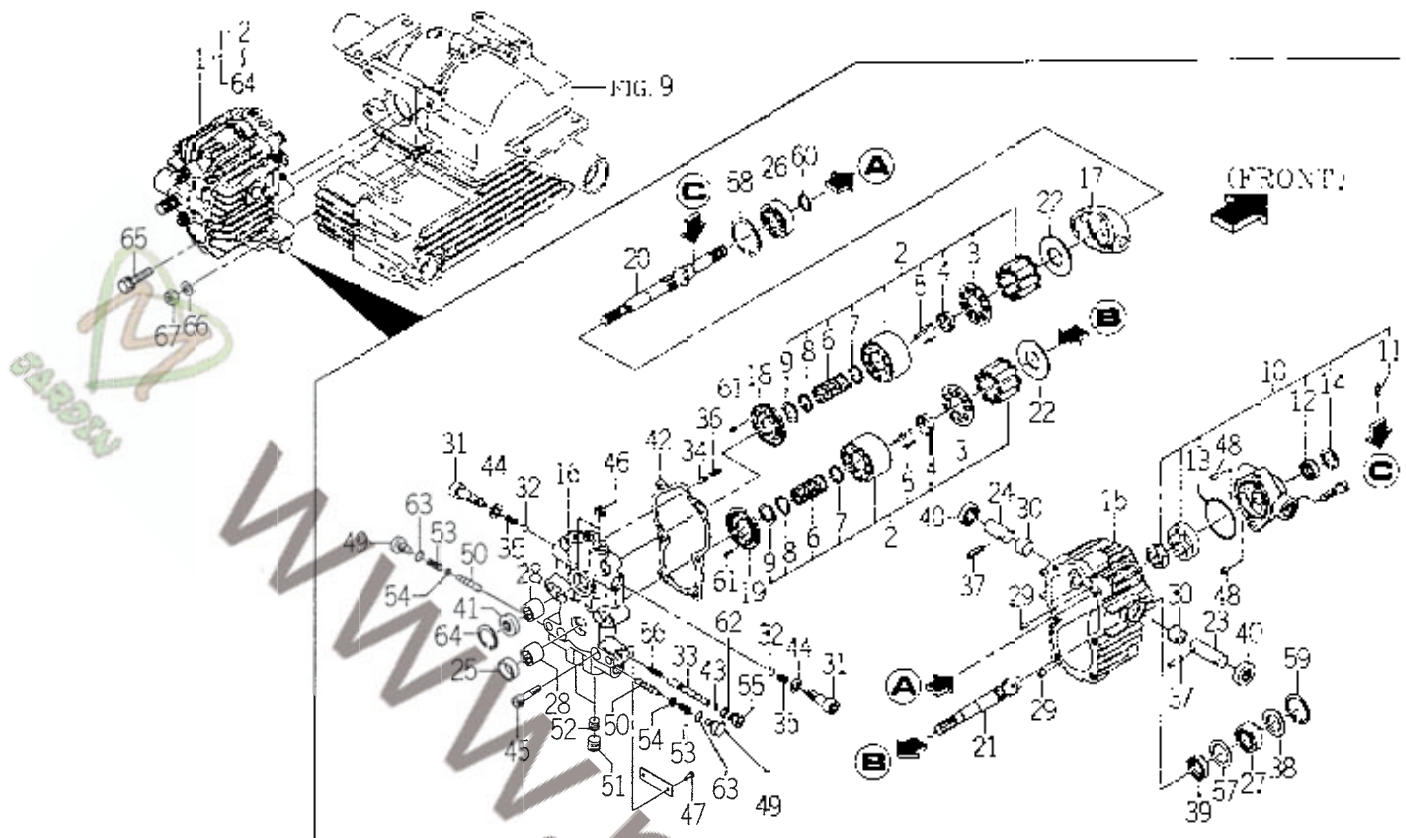
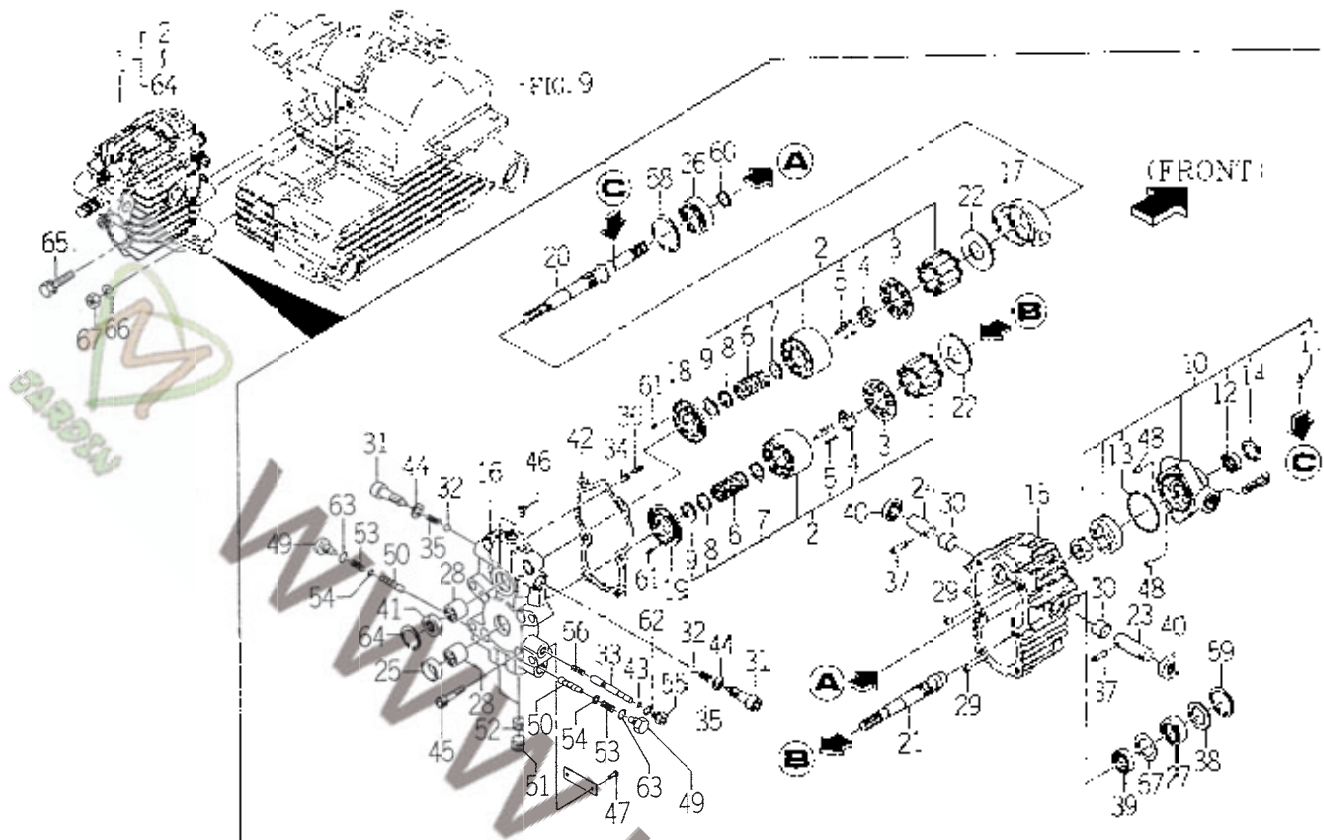


FIG. 26

KEY	PART CODE	DESCRIPTION	QTY	TYPE OF MODEL		T	C	G	R	REMARKS
				SG173H						
26	1608 - 205 - 213 - 00	BALL BEARING	1	*						
27	1608 - 205 - 214 - 00	BALL BEARING	1	*						
28	1608 - 205 - 215 - 00	NEEDLE BEARING	2	*						
29	1608 - 205 - 216 - 00	PIN	2	*						
30	1608 - 205 - 217 - 00	BUSH	2	*						
31	1608 - 205 - 218 - 00	PLUG	2	*						
32	1608 - 205 - 219 - 00	STEEL BALL	2	*						
33	1608 - 205 - 221 - 00	UNLOADING VALVE	1	*						
34	1608 - 205 - 222 - 00	VALVE RELIEF	1	*						
35	1608 - 205 - 223 - 00	SPRING	2	*						
36	1608 - 205 - 224 - 00	SPRING	1	*						
37	1608 - 205 - 225 - 00	SPRING PIN	2	*						
38	1608 - 205 - 226 - 00	COVER	1	*						
39	1608 - 205 - 227 - 00	OIL SEAL	1	*						
40	1608 - 205 - 228 - 00	O-RING	2	*						
41	1608 - 205 - 229 - 00	SEAL OIL	1	*						
42	1608 - 205 - 231 - 00	GASKET	1	*						
43	1608 - 205 - 232 - 00	O-RING	1	*						
44	1608 - 205 - 233 - 00	BONDING SEAL	2	*						
45	1608 - 205 - 234 - 00	SOCKET - HEAD BOLT	8	*						
46	1608 - 205 - 235 - 00	PLUG	2	*						
47	1608 - 205 - 236 - 00	DRIVE SCREW	2	*						
48	1608 - 205 - 237 - 00	PIN	2	*						
49	1608 - 205 - 238 - 00	PLUG	2	*						
50	1608 - 205 - 239 - 00	VALVE	2	*						

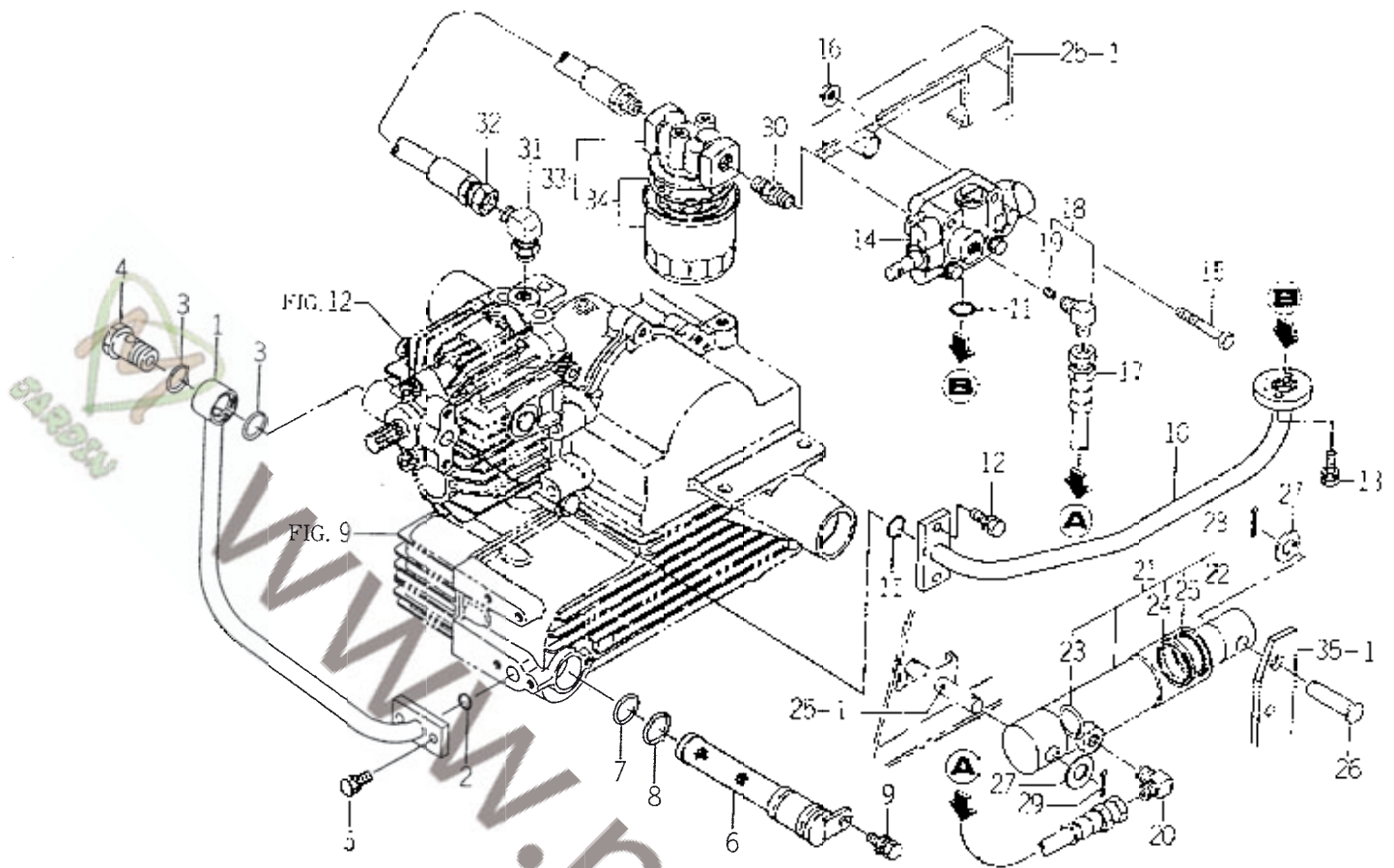
FIG. 12 HST SYSTEM (1)



124-105

KEY	PART CODE	DESCRIPTION	QTY	TYPE OF MODEL		I	C	D	P	REMARKS
				SG173H						
51	1608 - 205 - 241 - 00	PLUG	2	*						
52	1608 - 205 - 242 - 00	OR-FICE	2	*						
53	1608 - 205 - 243 - 00	SPRING	2	*						
54	1608 - 205 - 244 - 00	SPRINGHOLDER	2	*						
55	1608 - 205 - 245 - 00	PLUG	1	*						
56	1608 - 205 - 246 - 00	SPRING	1	*						
57	1608 - 205 - 247 - 00	PLATE	1	*						
58	V705 - 140 - 032 - 00	RING,SNAP/32 C	1	*						
59	V705 - 140 - 040 - 00	RING,SNAP/40 C	1	*						
60	V704 - 140 - 020 - 00	RING,SNAP/20C	1	*						
61	V580 - 140 - 401 - 00	PIN/SPRING	2	*						
62	V720 - 111 - 900 - 80	O-RING/P8	1	*						
63	V720 - 112 - 401 - 10	RING/O	2	*						
64	V705 - 140 - 030 - 00	RING,SNAP/30 C	1	*						
65	V211 - 261 - 004 - 50	BOLT (S) /M10X45	3	*						
66	V401 - 160 - 010 - 00	WASHER,SP/M10	1	*						
67	V304 - 260 - 010 - 00	NUT	1	*						

FIG. 13 HST SYSTEM (2/EXCEPT U TYPE)

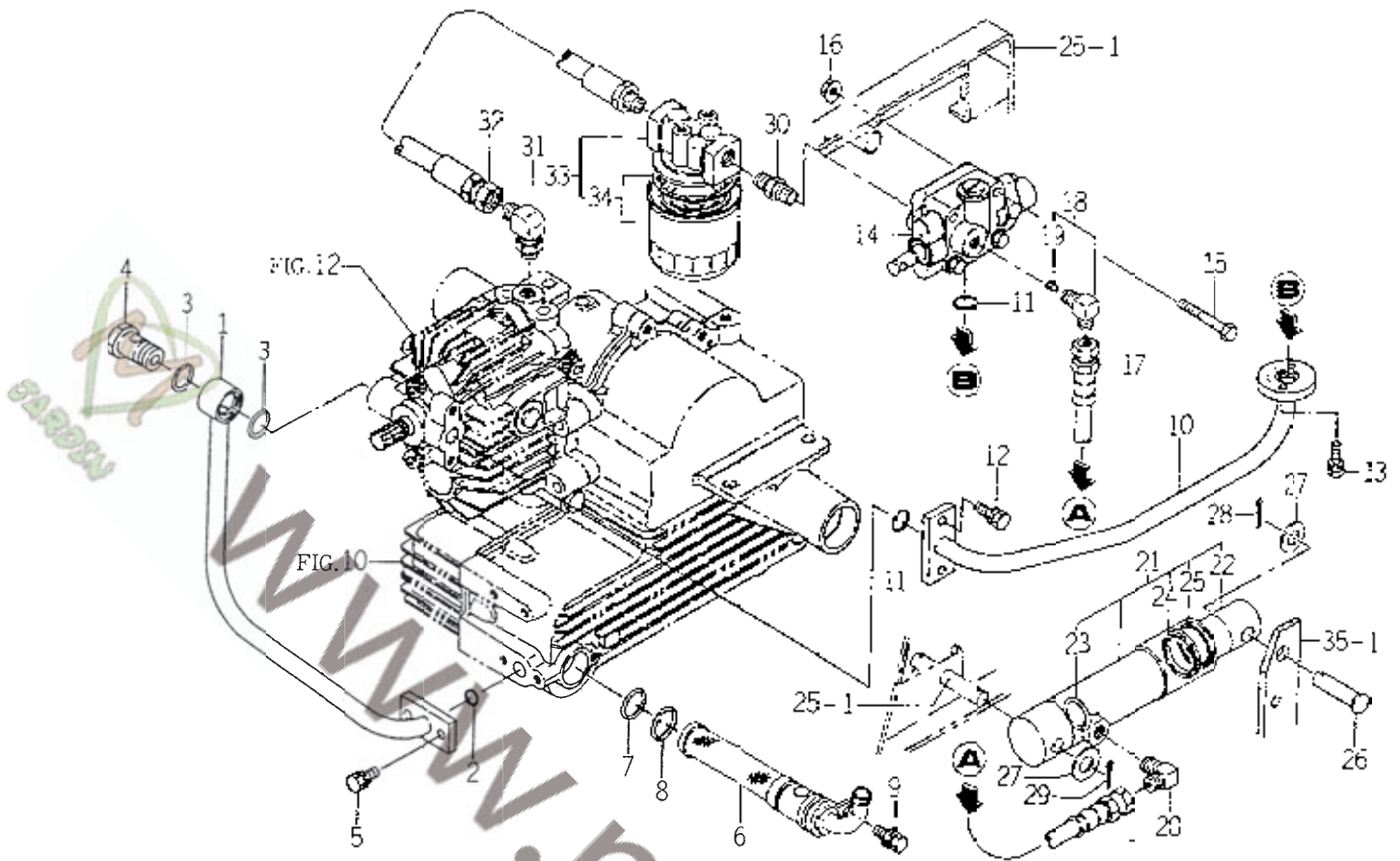


1364 276

KEY	PART CODE	DESCRIPTION	QTY	TYPE OF MODEL		I	C	G	R	P	REMARKS
				SG173-H							
	1608 - 208 - 200 - 30	PIPE/SUCTION	1	*							
2	V720 - 102 - 401 - 80	O-RING/P18	1	*							
3	V720 - 102 - 402 - 20	O-RING/P22	2	*							
4	1608 - 206 - 001 - 00	BOLT (CONNECTER/PF)/2	1	*							
5	V211 - 260 - 801 - 60	BOLT,SEMS (S) M8X16	2	*							
6	14E5 - 201 - 720 - 00	FILTER,SUCTION (HST)	1	*							
7	V720 - 103 - 502 - 40	O RING/P24	1	*							
8	V720 - 103 - 502 - 60	O-RING/P26	1	*							
9	V211 - 360 - 801 - 60	BOLT,SEMS (SP)	1	*							
10	1608 - 205 - 210 - 20	PIPE/BOOST	1	*							
11	V720 - 102 - 401 - 80	O-RING/P18	2	*							
12	V211 - 260 - 502 - 00	BOLT,SEMS (S)	2	*							
13	V210 - 260 - 602 - 00	BOLT,SEMS (S)	2	*							
14	K211 - 012 - 000 - 00	VALVE,CONTROL	1	*							FIG 051
15	V201 - 260 - 806 - 00	BOLT/M 8X80	2	*							
16	V363 - 260 - 008 - 00	NUT,LOCK/M8	2	*							
17	3564 - 351 - 005 - 00	HOSE ASSY	1	*							
18	1608 - 205 - 240 - 00	ADAPTER (90°) GRIFF	1	*							
19	1608 - 206 - 241 - 00	BOLT	1	*							
20	3763 - 185 - 022 - 10	ADAPTER (90°) /PUMP	1	*							
21	K182 - 032 - 000 - 00	CYLINDER ASSY	1	*							
22	K182 - 032 - 001 - 00	PISTON	1	*							
23	K182 - 032 - 002 - 00	STOPPER,PISTON	1	*							
24	K182 - 032 - 003 - 00	ROD PACKING	1	*							
25	K182 - 032 - 004 - 00	DUST/SEAL	1	*							



FIG. 14 HST SYSTEM (2/U TYPE)



41 26

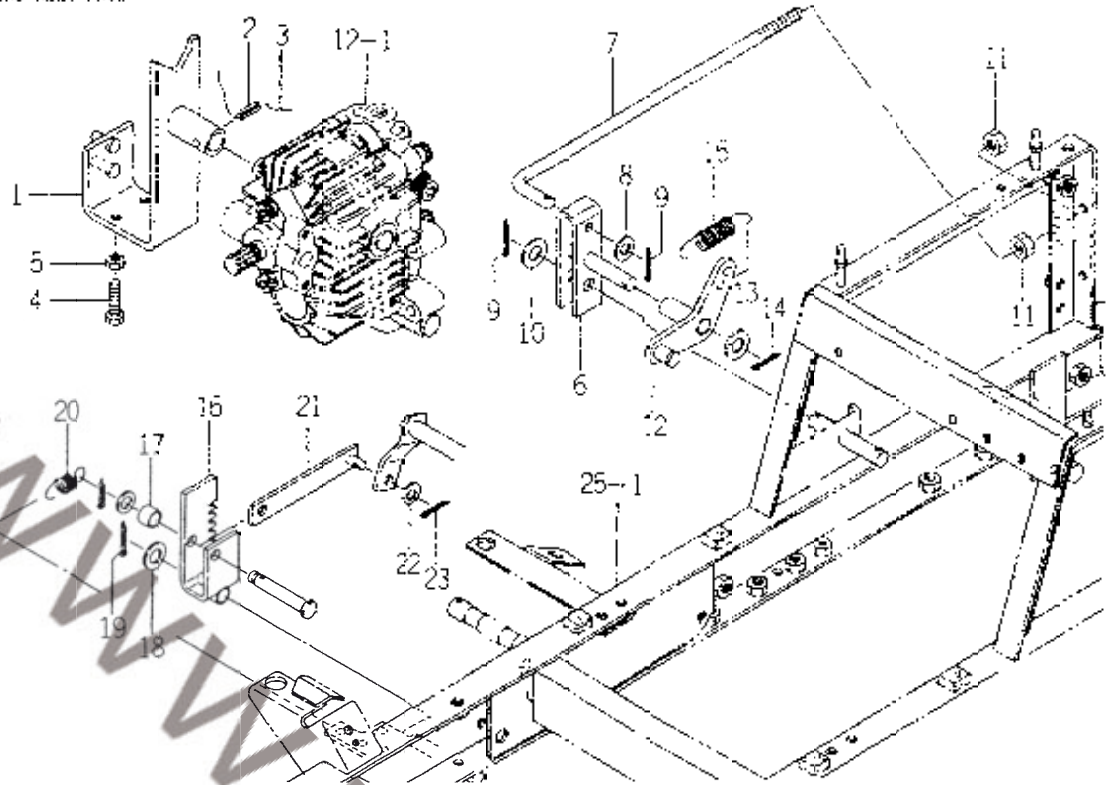
KEY	PART CODE	DESCRIPTION	QTY	TYPE OF MODEL			REMARKS
				SG: 73A	I T C	C O L	
1	1608 206 - 200 - 30	PIPE/SUCTION	1	*			
2	V720 - 102 - 401 - 80	O - RING/P18	1	*			
3	V720 - 102 - 402 - 20	O - RING/P22	2	*			
4	1608 - 206 - 001 - 00	BOLT (CONNECTER/P18/2	1	*			
5	V211 - 260 - 801 - 60	BOLT,SEMS (S) M8X16	2	*			
6	1631 - 206 - 200 - 00	FILTER/SUCTION/HST	1	*			
7	V720 - 103 - 502 - 80	O - RING/P28	1	*			
8	V720 - 103 - 503 - 00	O - RING/P30	1	*			
9	V211 360 - 801 - 60	BOLT,SEMS (SP)	1	*			
10	1608 - 206 - 210 - 20	PIPE/BOOST	1	*			
11	V720 - 102 - 401 - 80	O - RING/P18	2	*			
12	V211 - 260 - 807 - 00	BOLT,SEMS (S)	2	*			
13	V210 - 260 - 602 - 00	BOLT,SEMS (S)	2	*			
14	K211 012 - 003 - 00	VALVE,CONTROL	1	*			FIG 051
15	V201 - 260 - 803 - 00	BOLT/M 8X60	2	*			
16	V363 - 260 - 003 - 00	NUT,LOCK/M8	2	*			
17	3664 351 - 006 - 00	HOSE ASSY	1	*			
18	1608 - 206 - 249 - 00	ADAPTER (90° ) ORIFICE	1	*			
19	1608 - 206 - 241 - 00	BOLT	1	*			
20	3768 185 - 022 - 10	ADAPTER (90° /PUMP)	1	*			
21	K182 - 032 - 000 - 00	CYLINDER ASSY	1	*			
22	K182 032 - 001 - 00	PISTON	1	*			
23	K182 - 007 - 002 - 00	STOPPER,PISTON	1	*			
24	K182 032 - 002 - 00	ROD PACKING	1	*			
25	K182 032 - 003 - 00	DUST/SEAL	1	*			





FIG. 15 HST SYSTEM (3) (1/3)

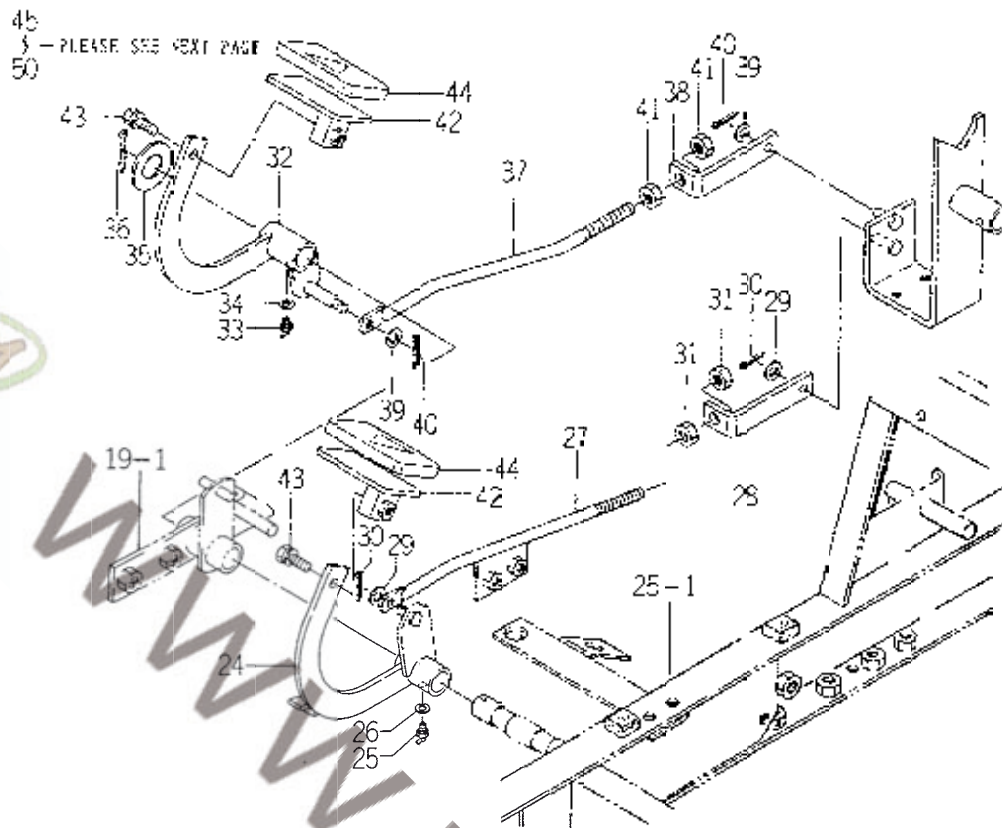
24  
\* - PLEASE SEE NEXT PAGE  
25



1505-107

KEY	PART CODE	DESCRIPTION	QTY	TYPE OF MODEL		I T C	C O L	G R P	REMARKS
				SC1	SC2				
1	1608 - 207 - 200 - 30	PLATE,FRANCH	1	*					
2	V580 140 - 802 - 50	PIN,SPRING/6 X25 W	1	*					
3		WIRE	1	*					
4	V201 - 260 - 803 - 50	BOLT/M 8X35	2	*					
5	V304 - 260 - 003 00	NUT/M 8	2	*					
6	1608 - 207 - 210 - 20	PIN (NEUTRAL)	1	*					
7	1608 - 207 - 011 - 00	ROD (NEUTRAL)	1	*					
8	V411 - 260 - 010 - 00	WASHER/M10	1	*					
9	V500 - 163 - 002 - 00	PIN,SPLIT/3 X20	2	*					
10	V411 - 260 - 012 - 00	WASHER /M12	1	*					
11	V304 - 260 - 010 - 00	NUT	2	*					
12	1608 - 207 220 - 20	LOCK (NEUTRAL)	1	*					
13	V411 260 - 012 - 00	WASHER /M12	1	*					
14	V500 - 163 - 002 - 00	PIN,SPLIT/3 X20	1	*					
15	3658 - 115 - 001 - 00	SPRING (HECBE)	1	*					
16	1608 - 207 - 230 00	PLATE (HOOK) COMP	1	*					
17	1608 - 207 012 - 00	COLLAR (12X16X12)	1	*					
18	V411 - 260 - 012 00	WASHER /M12	2	*					
19	V500 - 163 - 002 00	PIN,SPLIT/3 X20	1	*					
20	3531 871 - 003 - 00	SPRING,ROD COVER	1	*					
21	1608 207 - 260 - 10	PLSTF (1/22X134) COMP	1	*					
22	V411 - 260 - 008 - 00	WASHER,PL/M 8	1	*					
23	V500 163 - 001 - 50	PIN,SPLIT/3 X15	1	*					
24	1608 - 207 - 240 - 20	ARM (HST/F) COMP	1	*					
25	V762 - 150 - 000 00	NIPPLE,GREASE/B - V6F	1	*					

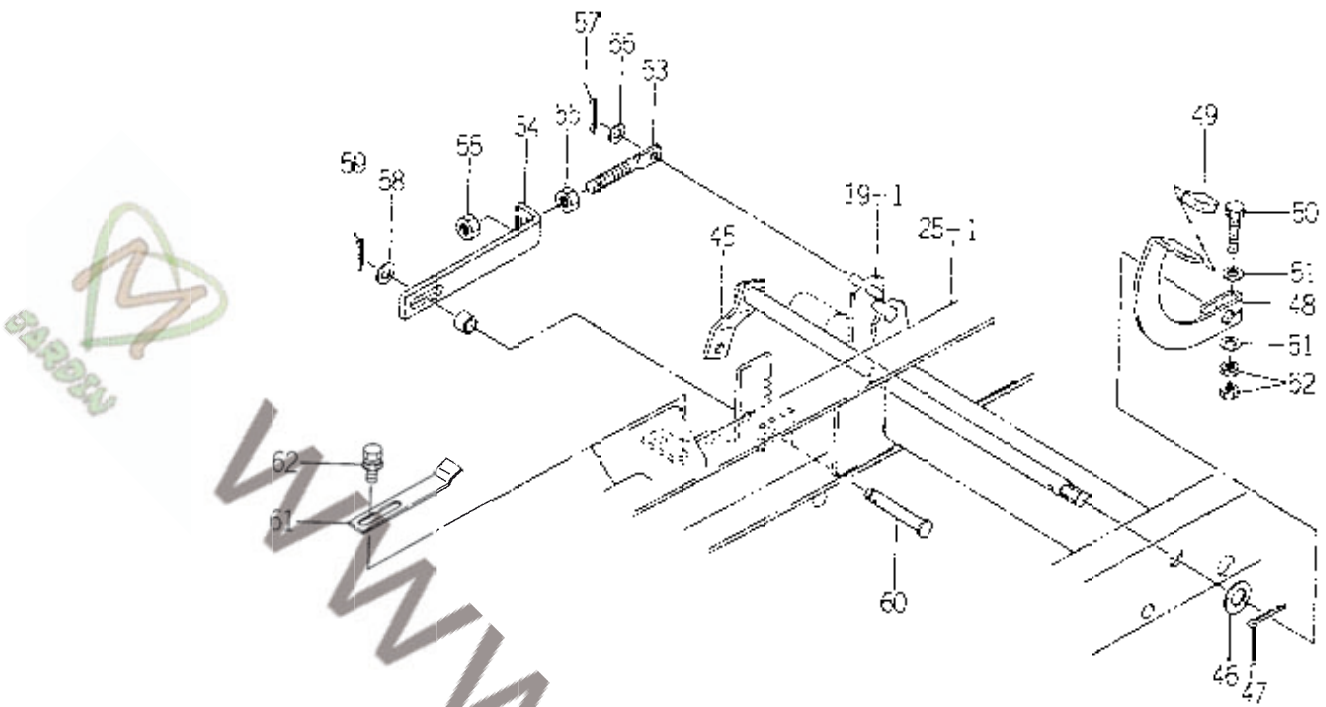
FIG. 15 HST SYSTEM (3) (2/3)



J124 207

KEY	PART CODE	DESCRIPTION	QTY	TYPE OF MODEL				REMARKS
				SG173H				
26	V401 - 160 - 006 - 00	WASHER,SP/M 8	1					
27	1608 - 207 - 310 - 00	ROD (-ST/F) OCMP	1	*				
28	1608 - 207 - 004 - 10	PLATE (L/22X100)	1	*				
29	V411 - 260 - 008 - 00	WASHER,PL/M 8	2	*				
30	V500 - 163 - 001 - 50	PIN,SPLIT/3 X15	2	*				
31	V304 - 260 - 010 - 00	NUT	2	*				
32	1608 - 207 - 250 - 20	ARM (HST/REVERSE)	1	*				
33	V762 - 150 - 000 - 00	NIPPLE,GREASE/B-MEF	1	*				
34	V401 - 160 - 006 - 00	WASHER,SP/M 8	1	*				
35	V411 - 260 - 020 - 00	WASHER/M20	1	*				
36	V500 - 163 - 003 - 00	PIN,SPLIT/3X30	1	*				
37	1608 - 207 - 003 - 20	ROD (HST/REVERSE)	1	*				
38	1608 - 207 - 004 - 10	PLATE (L/22X100)	1	*				
39	V411 - 260 - 008 - 00	WASHER,PL/M 8	2	*				
40	V500 - 163 - 001 - 50	PIN,SPLIT/3 X15	2	*				
41	V304 - 260 - 010 - 00	NUT	2	*				
42	1608 - 207 - 260 - 20	PEDAL (HST)	2	*				
43	V211 - 260 - 302 - 00	BOLT,SEMS (SI)	2	*				
44	1608 - 207 - 014 - 00	PAD (HST)	2	*				
45	1608 - 207 - 270 - 10	SHAFT (HOOK)	1	*				
46	V411 - 260 - 014 - 00	WASHER,PL/M14	1	*				
47	V500 - 163 - 002 - 50	PIN,SPLIT/3 X25	1	*				
48	1608 - 207 - 290 - 00	ARM (HOOK)	1	*				
49	1593 - 10 - 012 - 00	STOPPER	1	*				
50	V201 - 260 - 305 - 00	BOLT/M BX50	1	*				

FIG. 15 HST SYSTEM (3) (3/3)

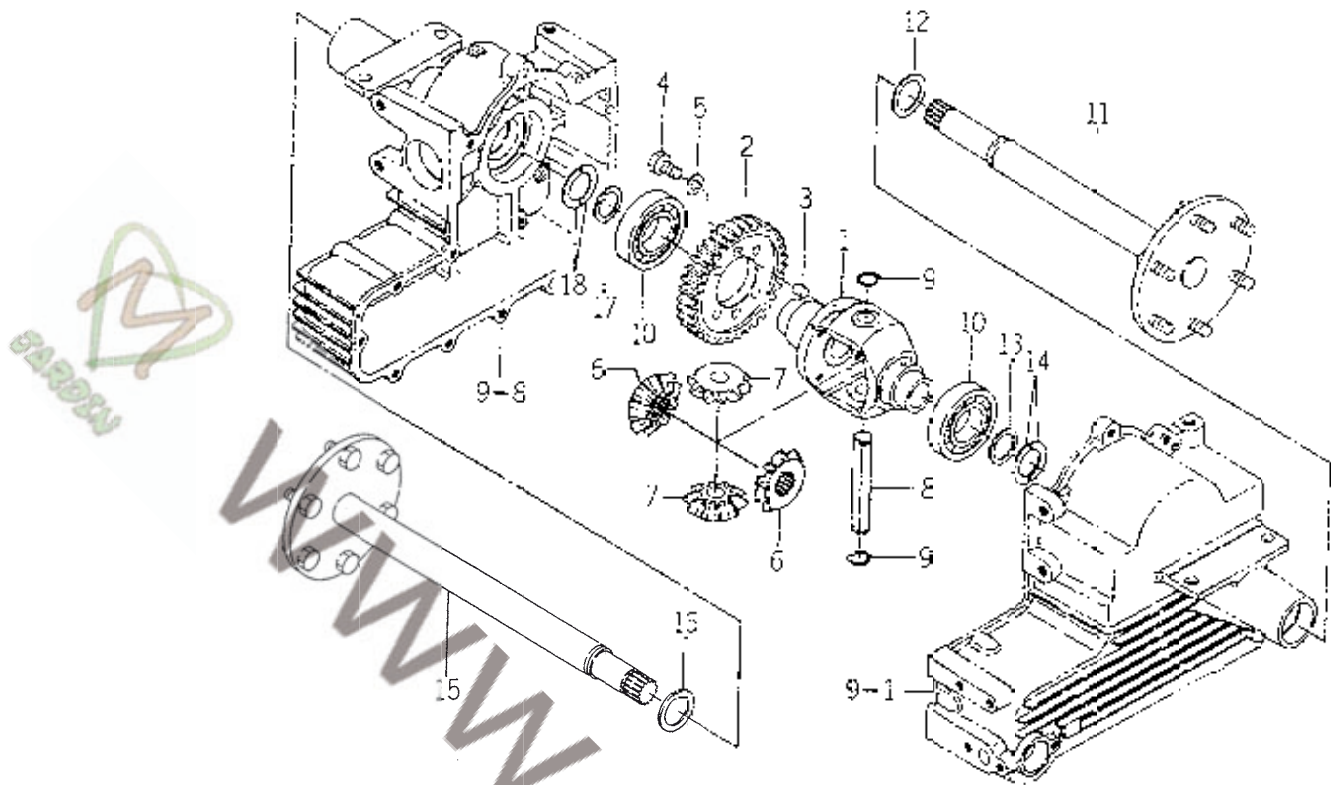


152 207

KEY	PART CODE	DESCRIPTION	QTY	TYPE OF MODEL		I T C	C O L	G P R	REMARKS
				SC	73H				
5	V411 - 260 - 003 - 00	WASHER, PL / M 8	2	*					
52	V304 - 260 - 003 - 00	NUT / M 8	2	*					
53	1608 - 207 - 006 - 10	PLATE (L/32X17B)	1	*					
54	1608 - 207 - 007 - 10	PLATE (L/32X17B)	1	*					
55	V304 - 260 - 019 - 00	NUT	2	*					
56	V411 - 260 - 006 - 00	WASHER, PL / M 8	1	*					
57	V500 - 163 - 001 - 50	PIN, SPLIT / 3 X 15	1	*					
58	V411 - 260 - 010 - 00	WASHER / M 8	1	*					
59	V500 - 163 - 002 - 00	PIN, SPLIT / 3 X 20	1	*					
60	1608 - 207 - 005 - 00	PLATE (L/20X70)	1	*					
61	1608 - 207 - 009 - 20	PLATE (L/20X70)	1	*					
62	V211 - 360 - 80 - 80	BOLT, SEMS (SP)	2	*					



FIG. 17 DIFFERENTIAL GEAR AND WHEEL SHAFT SYSTEM

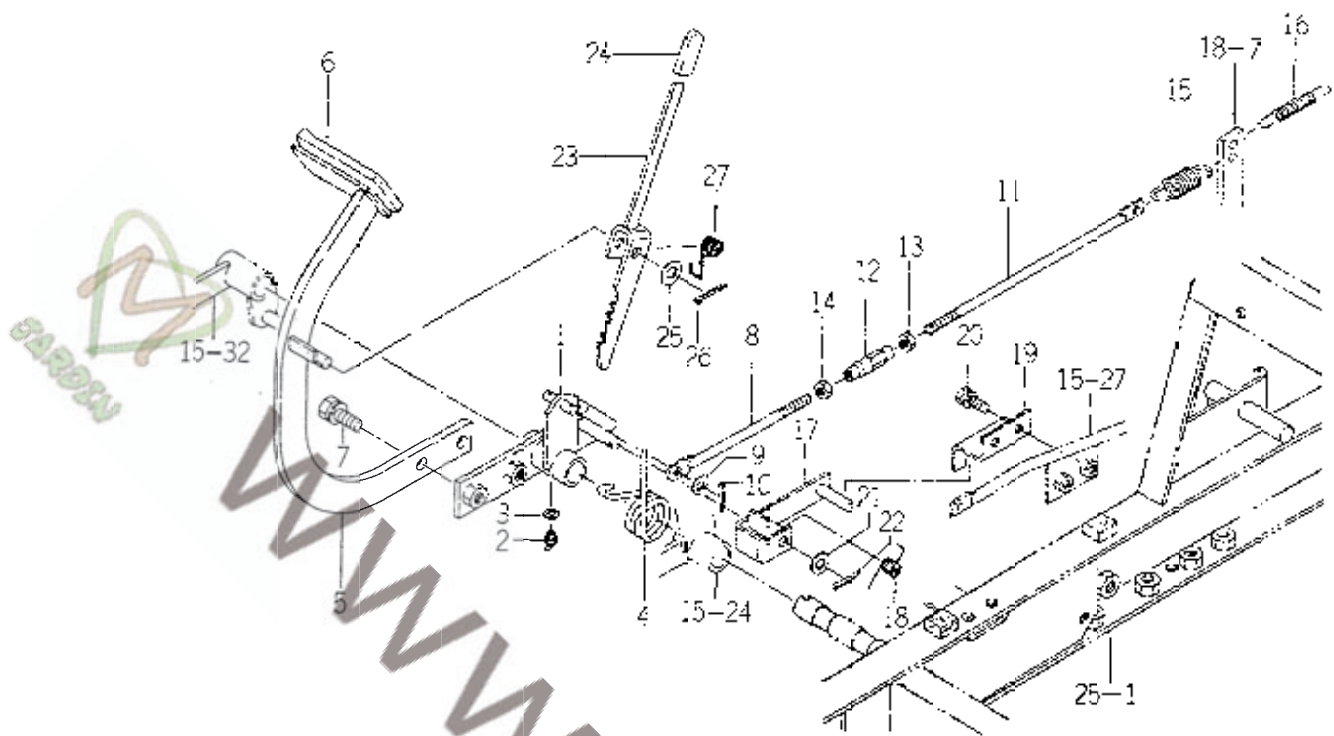


16CB-254

KEY	PART CODE	DESCRIPTION	QTY	TYPE OF MODEL		I : C	C O L	G R P	REMARKS
				SC173P					
1	1593 - 304 - 05 - 20	CASE,DIFF	1	*					
2	1608 - 304 - 00 - 00	GEAR/T40	1	*					
3	1593 - 304 - 008 - 00	PIN 110X180	2	*					
4	1593 - 304 - 054 - 10	BOLT/MICR: 25X25	4	*					
5	V401 - 100 - 010 - 00	WASHER,SP/M10	4	*					
6	1593 - 304 - 053 - 10	GEAR,BEVEL/12	2	*					
7	1593 - 304 - 055 - 10	PINION,BEVEL/11	2	*					
8	1593 - 304 - 067 - 10	PIN,DIFF PINION	1	*					
9	V704 - 140 - 016 - 00	RING,SNAP/15 C	2	*					
10	V600 - 110 - 620 - 70	BEARING,RR/6207	2	*					
11	1608 - 307 - 200 - 20	SHAFT/WHEEL/LH COMP	1	*					
12	1593 - 307 - 051 - 20	COLLAR/31X41X03	1	*					
13	1593 - 307 - 052 - 10	COLLAR/26X35X03	1	*					
14	1593 - 307 - 053 - 10	COLLAR,WHEEL THRUST	2	*					
15	1608 - 307 - 210 - 20	SHAFT/WHEEL/RR COMP	1	*					
16	1593 - 307 - 051 - 20	COLLAR/31X41X03	1	*					
17	1593 - 307 - 052 - 10	COLLAR/26X35X03	1	*					
18	1593 - 307 - 053 - 10	COLLAR,WHEEL THRUST	2	*					



FIG. 19 BRAKE PEDAL AND ARM SYSTEM



7020-112

KEY	PART CODE	DESCRIPTION	QTY	TYPE OF MODEL		I T C	C O L	G R P	REMARKS
				SG1734					
1	1608 - 312 - 200 - 40	ARM/BRAKE COMP	1	*					
2	V760 - 150 - 000 - 00	NIPPLE, GREASE	1	*					
3	V401 - 180 - 005 - 00	WASHER, SP/M 8	1	*					
7	1808 - 312 - 005 - 00	SPRINGS (H7035)	1	*					
5	1608 - 312 - 210 - 20	ARM (PEDAL)	1	*					
6	1524 - 122 - 000 - 00	PAD	1	*					
7	V211 - 260 - 002 - 50	BOLT (S) M10X25	2	*					
8	1608 - 312 - 007 - 10	ROD (M08X160)	1	*					
9	V411 - 260 - 008 - 00	WASHER, PL/M 8	1	*					
10	V500 - 163 - 001 - 50	PIN, SPLIT/3 X15	1	*					
11	1608 - 312 - 003 - 40	ROD/V08X250	1	*					
12	1444 - 122 - 002 - 00	TURNBUCKLE/M8	1	*					
13	V304 - 250 - 008 - 00	NUT/M 8	1	*					
14	1560 - 132 - 007 - 30	NUT/M8	1	*					
15	1337 - 40 - 006 - 00	SPRING	1	*					
16	1415 - 120 - 006 - 00	SPRING, TENSION/85	1	*					
17	1608 - 312 - 270 - 00	PLATE (BRAKE LOCK)	1	*					
18	1593 - 312 - 055 - 20	SPRING/H7012	1	*					
19	1608 - 312 - 006 - 20	PLATE, LOCK	1	*					
20	V211 - 260 - 802 - 00	BOLT, SEMS (S)	2	*					
21	V411 - 260 - 010 - 00	WASHER/M10	1	*					
22	V500 - 163 - 002 - 00	PIN, SPLIT/3 X20	1	*					
23	1608 - 313 - 200 - 10	PLATE (PARKING) COMP	1	*					
24	3600 - 20 - 013 - 00	GRIP, BRAKE	1	*					
25	V411 - 260 - 010 - 00	WASHER/M10	1	*					

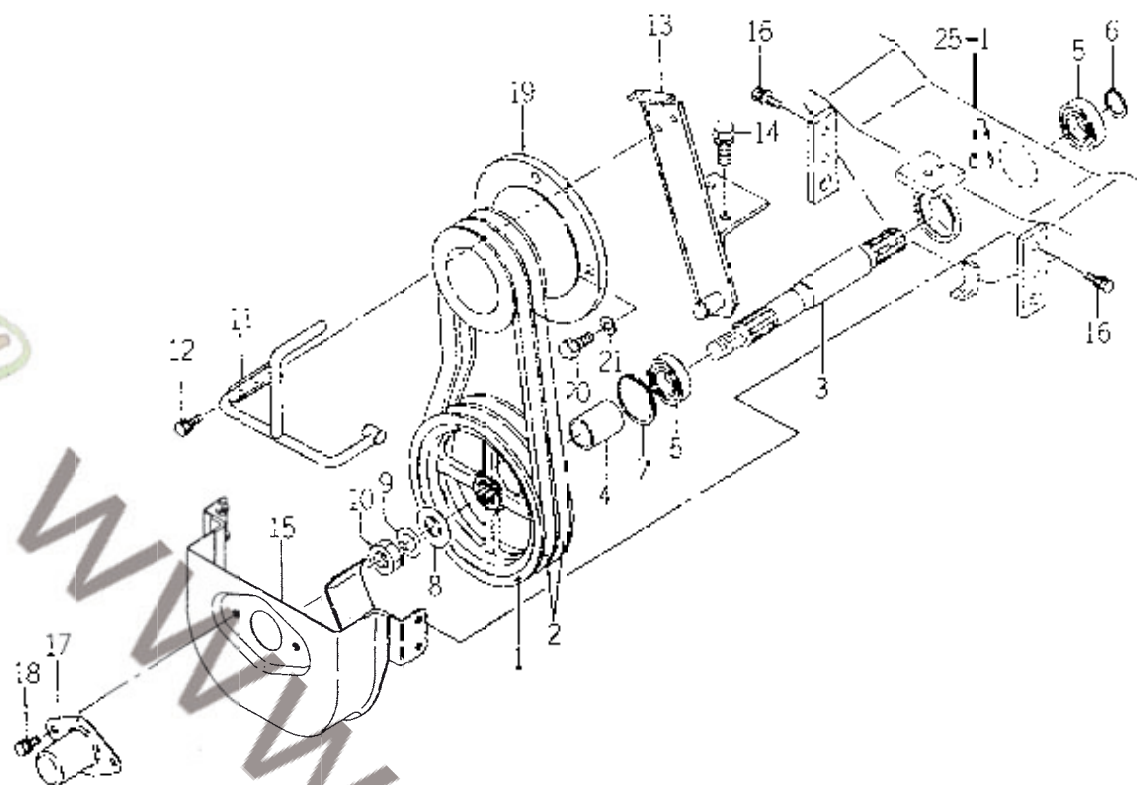








FIG. 22 PTO SHAFT SYSTEM

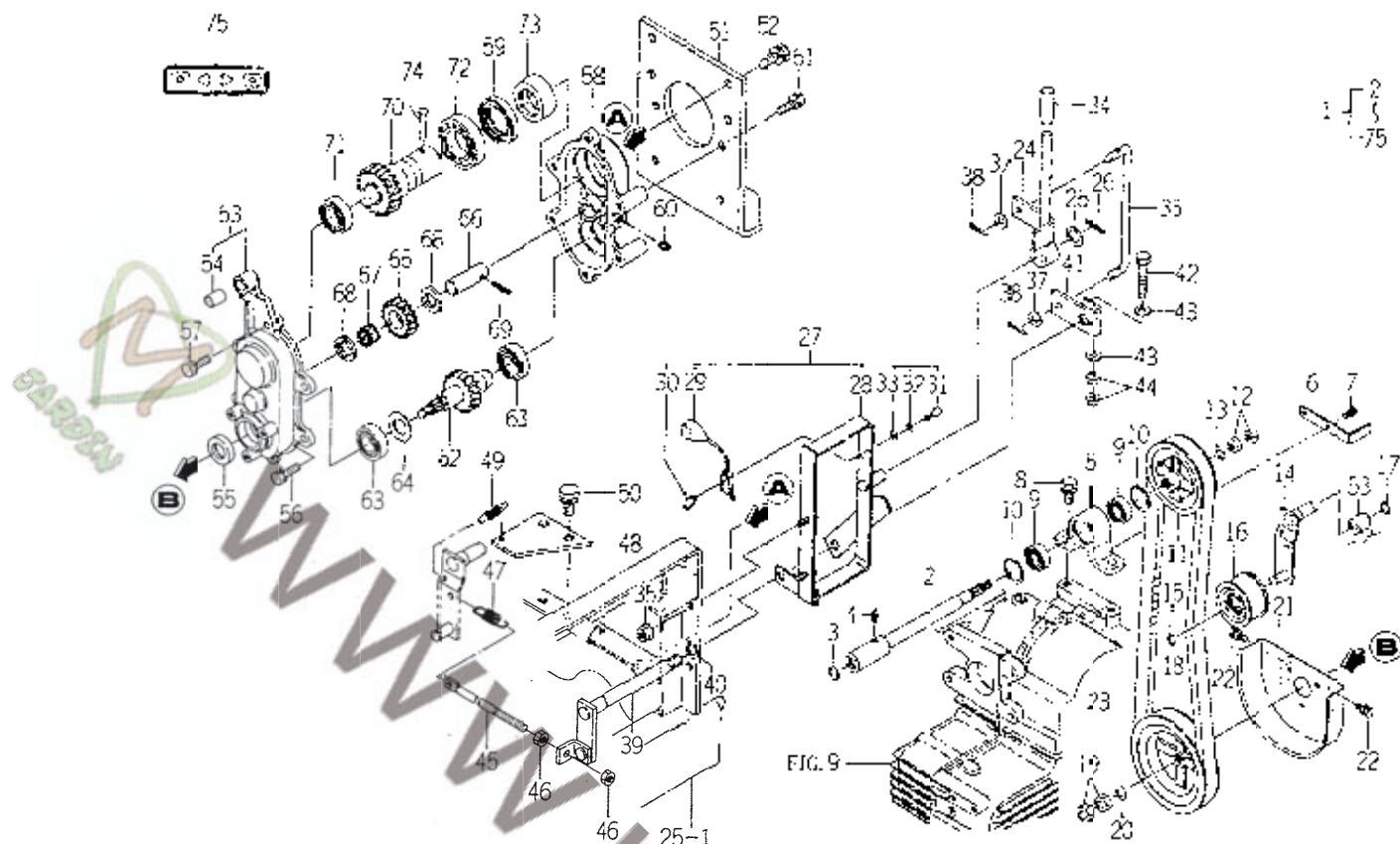


678 070

KEY	PART CODE	DESCRIPTION	QTY	TYPE OF MODEL		I T C	C O L	G H P	REMARKS
				SG 734					
1	1593 - 334 - 056 - 50	PULLEY/V29173	1	*					
2	1593 - 334 - 054 - 30	BELT/V8038	2	*					
3	1593 - 334 - 052 - 00	SHAFT/PTO/MID	1	*					
4	1593 - 334 - 055 - 00	COLLAR/25X32X41	1	*					
5	V600 - 150 - 600 - 50	BEARING, RB/6305SS	2	*					
6	V704 - 140 - 025 - 00	RING, SNAP/25 C	1	*					
7	V705 - 140 - 047 - 00	RING, SNAP/47 C	1	*					
8	3746 - 111 - 011 - 00	WASHER, BRAKE DRUM	1	*					
9	V401 - 160 - 016 - 00	WASHER, SP/V16	1	*					
10	V304 - 460 - 016 - 00	NUT/M16	2	*					
11	1593 - 334 - 300 - 20	BAR,/PTO	1	*					
12	V210 - 260 - 601 - 60	BOLT, SEMS (S)	2	*					
13	1593 - 334 - 310 - 20	BRACKET, P/C/F	1	*					
14	V211 - 25 - 002 - 50	BOLT (S) M10X25	2	*					
15	1593 - 335 - 500 - 50	COVER, PTO COMP	1	*					
16	V210 - 360 - 601 - 60	BOLT (SP) /M6X16	4	*					
17	1427 - 130 - 280 - 00	CAP, SHAFT (A) COMP	1	*					
18	V210 - 260 - 601 - 20	BOLT, SEMS	2	*					
19	1593 - 335 - 055 - 00	PULLEY, V/78105	1	*					
20	V203 - 460 - 002 - 50	BOLT, /M10X25	4	*					
21	V401 - 160 - 016 - 00	WASHER, SP/M10	4	*					



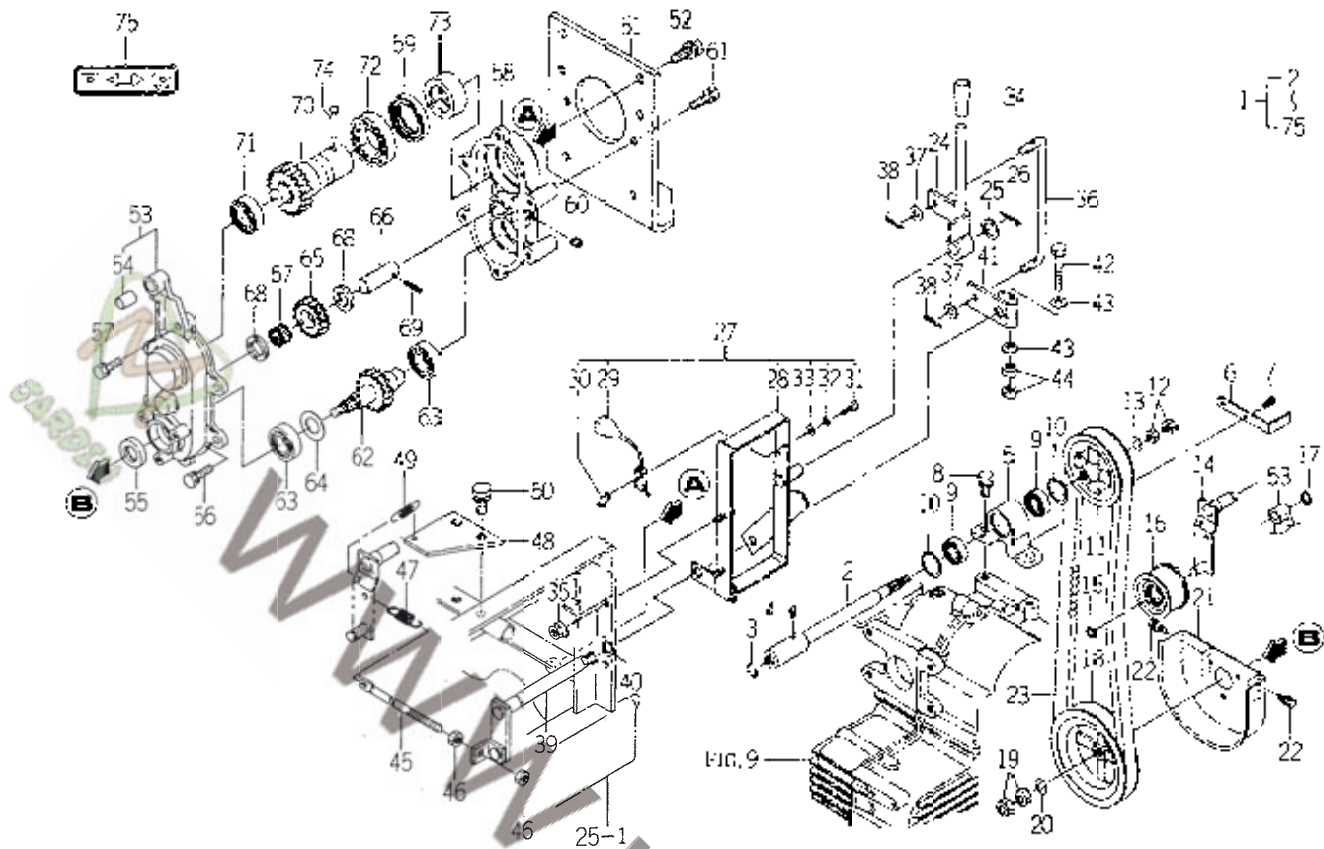
FIG. 23 REAR PTO SYSTEM (OPTION)



1004 2318

KEY	PART CODE	DESCRIPTION	QTY	TYPE OF MODEL			REMARKS
				SG173H	I T C	C O L	
26	V500 - 153 - 002 - 50	PIN,SPLIT/3 K25	1	T			
27	1508 - 341 - 270 - 00	STAY/LEVER ASSY	1	T			
28	1508 - 341 - 240 - 30	STAY/LEVER COMP	1	T			
29	1593 - 623 - 520 - 00	SWITCH,VERT	1	T			
30	3654 - 275 - 001 - 00	PLATE/IRX13x35	1	T			
31	V111 - 153 - 002 - 00	SCREW M3X20	2	T			
32	V401 - 160 - 003 - 00	WASHER,SP/M 3	2	T			
33	V411 - 250 - 003 - 00	WASHER/M3	2	T			
34	4106 - 105 - 303 - 00	KNOB	1	T			
35	V303 - 250 - 003 - 00	NUT,LOCK/M8	2	T			
36	1508 - 341 - 023 - 00	ROD (REAR P10)	1	T			
37	V411 - 250 - 003 - 00	WASHER,PL/M 8	2	T			
38	V500 - 162 - 501 - 50	PIN,SPLIT/2.5X15	2	T			
39	1508 - 341 - 260 - 30	SHAFT COMP	1	T			
40	V704 - 140 - 015 - 00	RING,SNAP/15 C	1	T			
41	1508 - 341 - 02 - 10	ARM (40)	1	T			
42	V207 - 250 - 805 - 00	BOLT/M 8X50	1	T			
43	V411 - 250 - 008 - 00	WASHER,PL/M 8	2	T			
44	V304 - 250 - 008 - 00	NUT/M 8	2	T			
45	3728 - 552 - 008 - 00	TRIGGER,TENSION	1	T			
45	V304 - 250 - 008 - 00	NUT/M 8	2	T			
47	1337 - 401 - 005 - 00	SPRING	1	T			
48	1508 - 341 - 025 - 10	PLATE (RETURN)	1	T			
49	1415 - 125 - 021 - 00	SPRING,TENSION/45	1	T			
50	V211 - 561 - 002 - 00	BOLT/M10X20	2	T			

FIG. 23 REAR PTO SYSTEM (OPTION)



1258 5115

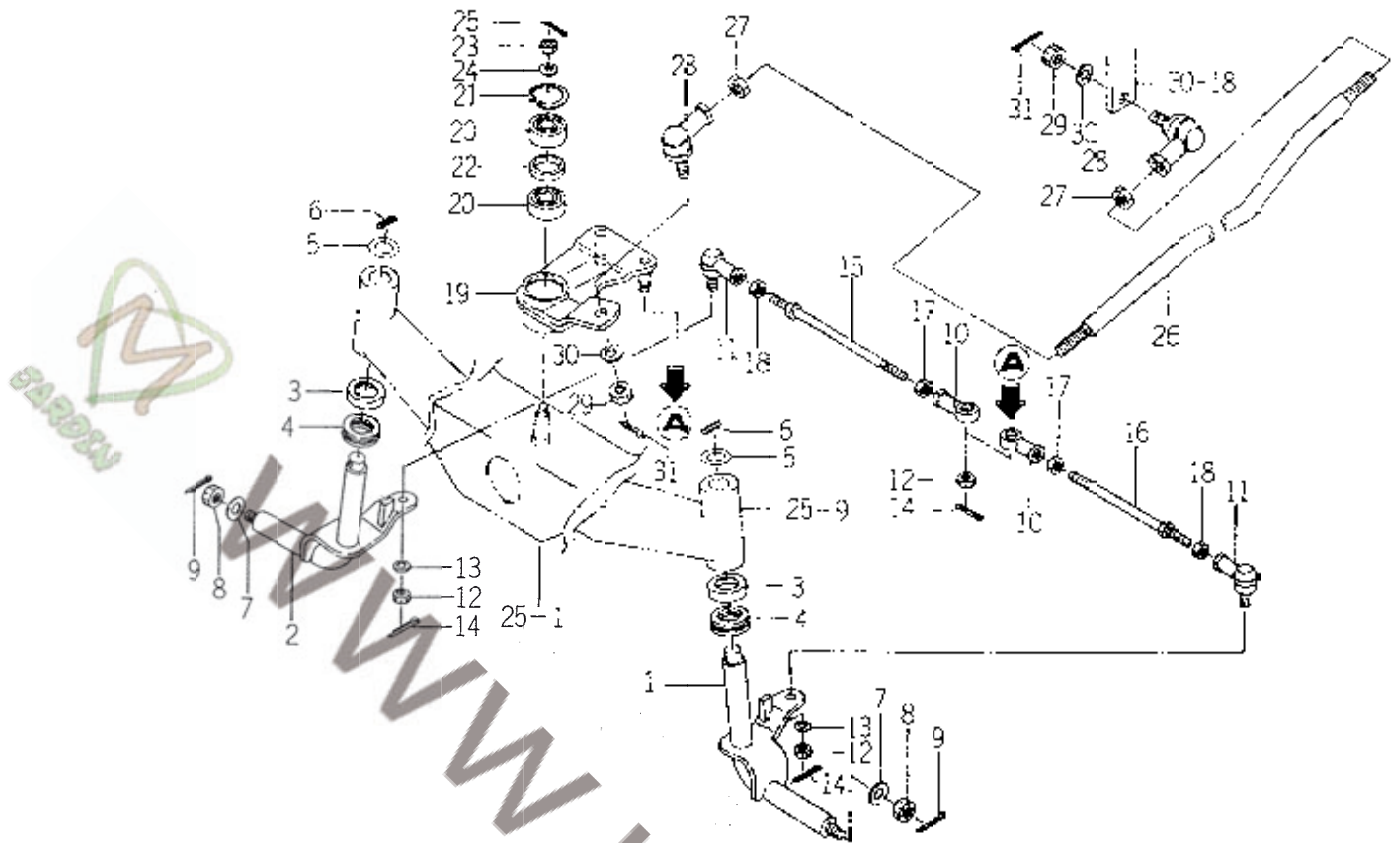
KEY	PART CODE	DESCRIPTION	QTY	TYPE OF MODEL			REMARKS
				SG173H	I T C	C O L	
51	1593 - 342 - 001 - 00	PLATE/170X215	1	T			
52	V211 - 261 - 002 - 50	BOLT (S) M10X25	4	T			
53	1608 - 341 - 200 - 00	CASE (PTO/FRCNT)	1	T			
54	1608 - 341 - 027 - 00	BUSH (12X14X20)	1	T			
55	V744 - 120 - 350 - 70	SEAL OIL/TC20357	1	T			
56	V211 - 260 - 802 - 00	BOLT,SEMS (S)	4	T			
57	V211 - 260 - 803 - 00	BOLT,SEMS	1	T			
58	1608 - 341 - 012 - 00	CASE (PTO/RAER)	1	T			
59	V744 - 135 - 550 - 80	SEAL OIL/TC35558	1	T			
60	V7E1 - 160 - 000 - 40	PLUG/SCRFW	1	T			
61	V211 - 260 - 802 - 00	BOLT,SEMS (S)	4	T			
62	1608 - 341 - 310 - 30	SHAFT/PTO/INPUT	1	T			
63	V800 - 110 - 600 - 40	BEARING,RR/6204	2	T			
64	1608 - 341 - 013 - 00	COLLAR (21X35X02)	1	T			
65	1608 - 341 - 014 - 10	GEAR (T15)	1	T			
66	1608 - 341 - 015 - 00	PIN (8X52)	1	T			
67	V634 - 413 - 22 - 50	NEEDLE (GAGE)	1	T			
68	1608 - 341 - 016 - 00	COLLAR/18X30X03	2	T			
69	V590 - 140 - 502 - 50	PIN,SPRING/5 X25 W	1	T			
70	1608 - 341 - 320 - 10	SHAFT (PTO) COMP	1	T			
71	V600 - 110 - 600 - 40	BEARING,RR/6204	1	T			
72	V600 - 110 - 600 - 70	BEARING,RR/6207	1	T			
73	1593 - 341 - 008 - 00	RING,PTO	1	T			
74	1593 - 341 - 009 - 00	PIN,PTO	1	T			
75	1593 - 341 - 012 - 10	LABEL/PTO	1	T			







FIG. 26 KNUCKLE ARM SYSTEM

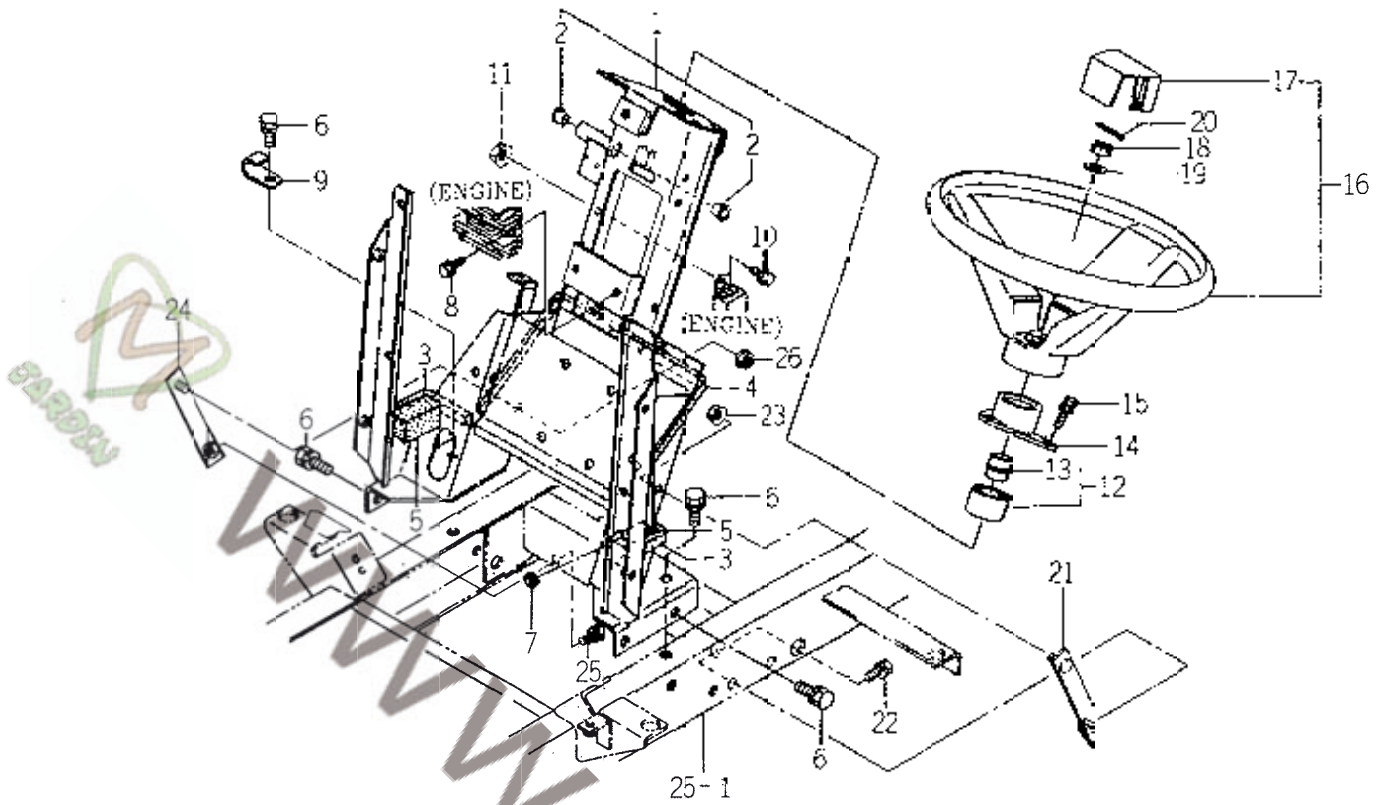


100 10

KEY	PART CODE	DESCRIPTION	QTY	TYPE OF MODEL		I T C	C O L	G R P	REMARKS
				SG 73					
1	1593 - 403 - 500 - 80	ARM/KNUCKLE/LH COMP	1	*					
2	1593 - 403 - 510 - 80	ARM/KNUCKLE/RH COMP	1	*					
3	1593 - 403 - 004 - 10	COVER/44X10	2	*					
4	1593 - 403 - 009 - 00	THRUST	2	*					
5	V411 - 260 - 013 - 00	WASHER,PL/M18	2	*					
6	V580 - 140 - 503 - 20	PIN,SPRING/5 X32 W	2	*					
7	3821 - 702 - 003 - 00	WASHER,PULLEY	2	*					
8	V328 - 282 - 112 - 00	NUT/M12X1,25	2	*					
9	V500 - 163 - 002 - 50	PIN,SPLIT/3 X25	2	*					
10	1593 - 403 - 003 - 10	JOINT,BALL/LH	2	*					
11	1593 - 403 - 001 - 10	JOINT,BALL/RH	2	*					
12	V328 - 282 - 110 - 00	NUT	4	*					
13	V401 - 160 - 010 - 00	WASHER,SP/M10	2	*					
14	V500 - 162 - 502 - 00	PIN,SPLIT/2,5X20	4	*					
15	1593 - 403 - 052 - 30	ROD/D: 8,80 - 8,84	1	*					
16	1593 - 403 - 056 - 40	ROD/TE/M10K198	1	*					
17	3625 - 212 - 007 - 00	NUT/M10	2	*					
18	V334 - 260 - 010 - 00	NUT/M10	2	*					
19	1631 - 403 - 200 - 00	ARM/PITMAN COMP	1	*					
20	V600 - 150 - 620 - 30	BEARING,RE/6703SS	2	*					
21	V705 - 140 - 040 - 00	RING,SNAP/40 C	1	*					
22	1593 - 403 - 007 - 20	COLLAR/31X38X06	1	*					
23	V328 - 282 - 110 - 00	NUT	1	*					
24	1373 - 121 - 001 - 00	WASHER/11X22X3	1	*					
25	V500 - 162 - 502 - 00	PIN,SPLIT/2,5X20	1	*					



FIG. 27 STEERING WHEEL SYSTEM (U TYPE)

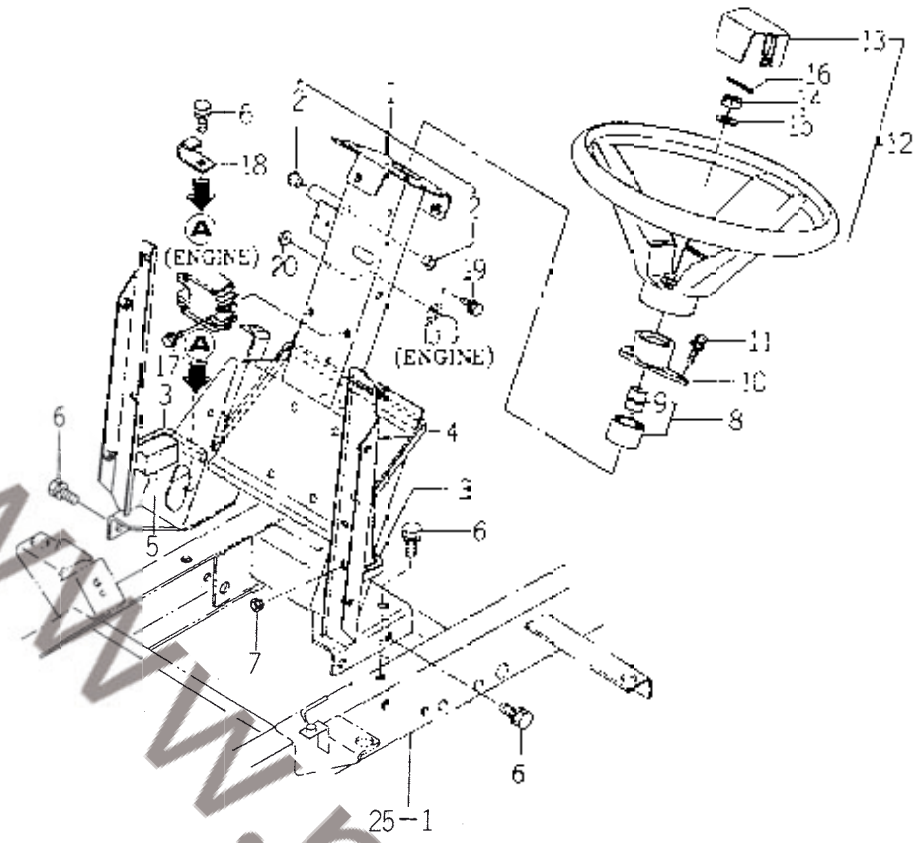


1151 401

KEY	PART CODE	DESCRIPTION	QTY	TYPE OF MODEL		I T C	C O L	G R P	REMARKS
				SS123H					
1	1631 - 408 - 200 - 50	POST/STEERING ASSY	1	*					
2	1584 - 512 - 001 - 00	BUSH./OX12X10	2	*					
3	1593 6C1 069 - 00	SEAL./15X20X120	2	*					
4	1595 - 6C1 - 065 - 10	SEA./20X15X520	1	*					
5	1593 - 406 - 008 - 00	SEAL./30X30X50	2	*					
6	V211 - 261 - 002 - 50	BOLT (S) M10X25	6	*					
7	1427 - 621 - 012 - 00	GROMMET	1	*					
8	V210 360 602 - 00	BOLT/SP	2	*					
9	3737 - 172 - 011 - 00	CLAMP/HARNES	1	*					
10	V211 - 380 - 801 - 60	BOLT,SEMS (SP)	1	*					
11	V363 - 260 - 008 - 00	NUT,LOCK/W6	1	*					
12	1593 - 406 - 250 - 00	COLUMN,STEERING ASSY	1	*					
13	1593 - 406 - 005 - 10	BUSH,COLUMN	1	*					
14	1593 - 406 - 004 - 00	HUB,STEERING COLUMN	1	*					
15	V210 360 602 00	BOLT/SP	3	*					
16	1593 - 408 - 240 - 10	WHEEL,STEERING ASSY	1	*					
17	1593 - 408 - 005 - 00	PAD,STEERING WHEEL	1	*					
18	V328 - 262 - 110 - 00	NUT	1	*					
19	V411 - 260 - 010 - 00	WASHER/M10	1	*					
20	V500 - 162 - 502 - 00	PIN,SPLIT/2.5X20	1	*					
21	1631 - 408 - 220 - 00	PLATE,POST/LH	1	*					
22	V211 - 260 - 802 - 00	BOLT,SEMS (S)	1	*					
23	V363 - 260 - 008 - 00	NUT,LOCK/W6	1	*					
24	1631 - 408 - 230 - 00	PLATE,POST/RH	1	*					
25	V211 - 260 - 802 - 00	BOLT,SEMS (S)	1	*					



FIG. 28 STEERING WHEEL SYSTEM (EXCEPT U TYPE)



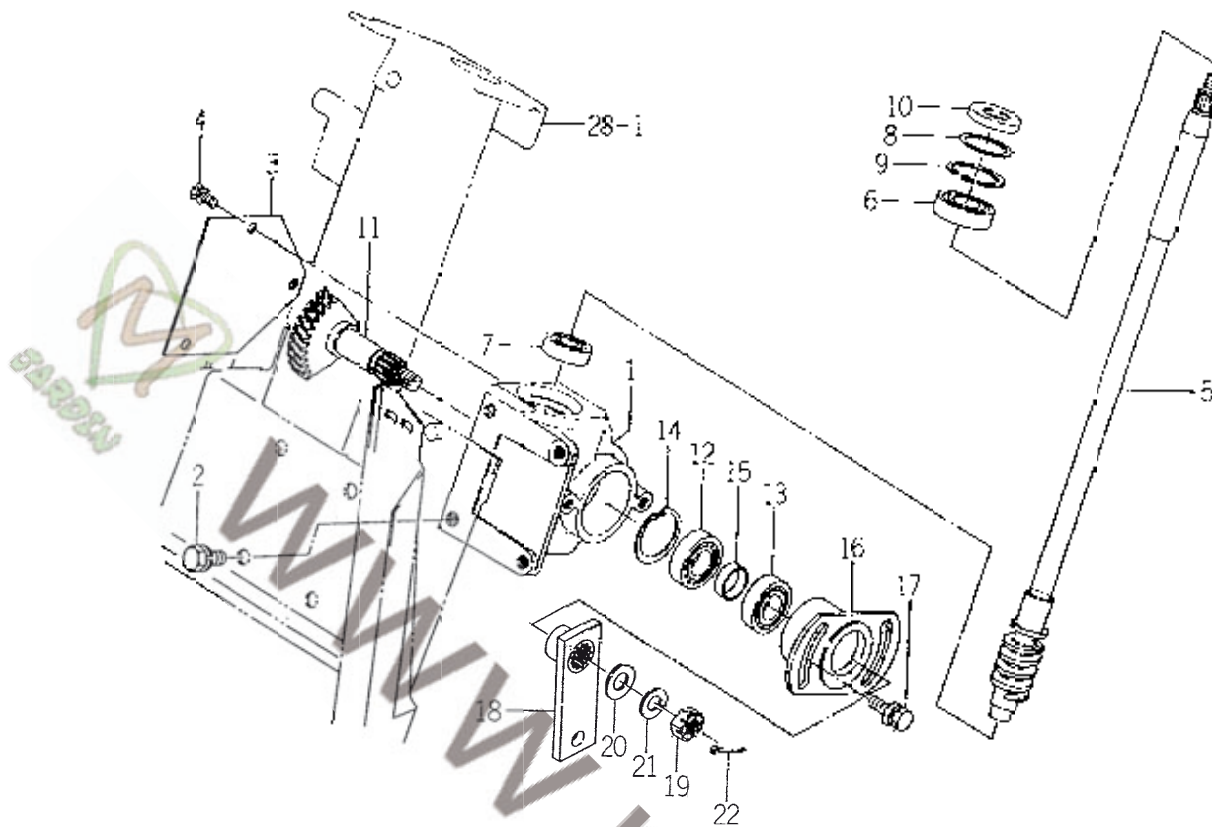
1593 1004

KEY	PART CODE	DESCRIPTION	QTY	TYPE OF MODEL		I T C	C O L	G P R	REMARKS
				SG	74				
1	1593 408 500 30	POST/STEERING ASSY	1	*					
2	1564 512 001 00	BUSH/10X12X10	2	*					
3	1593 601 069 00	SEAL/15X20X120	2	*					
4	1593 601 065 10	SEAL/20X15X390	1	*					
5	1593 405 008 00	SEAL/30X30X50	2	*					
6	V211 261 002 50	BOLT (S) M10X25	6	*					
7	1427 621 012 00	GROMMET	1	*					
8	1593 403 250 00	COLUMN/STEERING ASSY	1	*					
9	1593 403 005 10	BUSH/COLUMN	1	*					
10	1593 403 004 00	POST/STEERING COLUMN	1	*					
11	V210 360 602 00	BOLT/SP	3	*					
12	1593 403 240 10	WHEEL/STEERING ASSY	1	*					
13	1593 403 006 00	PAD/STEERING WHEEL	1	*					
14	V325 252 110 00	NUT	1	*					
15	V411 250 010 00	WASHER/M10	1	*					
16	V500 182 502 00	PIN,SP L/2.5X20	1	*					
17	V210 360 602 00	BOLT/SP	2	*					
18	3737 172 011 00	CLAMP/HARNES	1	*					
19	V211 360 801 50	BOLT,SEV5 (SP)	1	*					
20	V363 280 008 00	NUT,LOCK/M8	1	*					





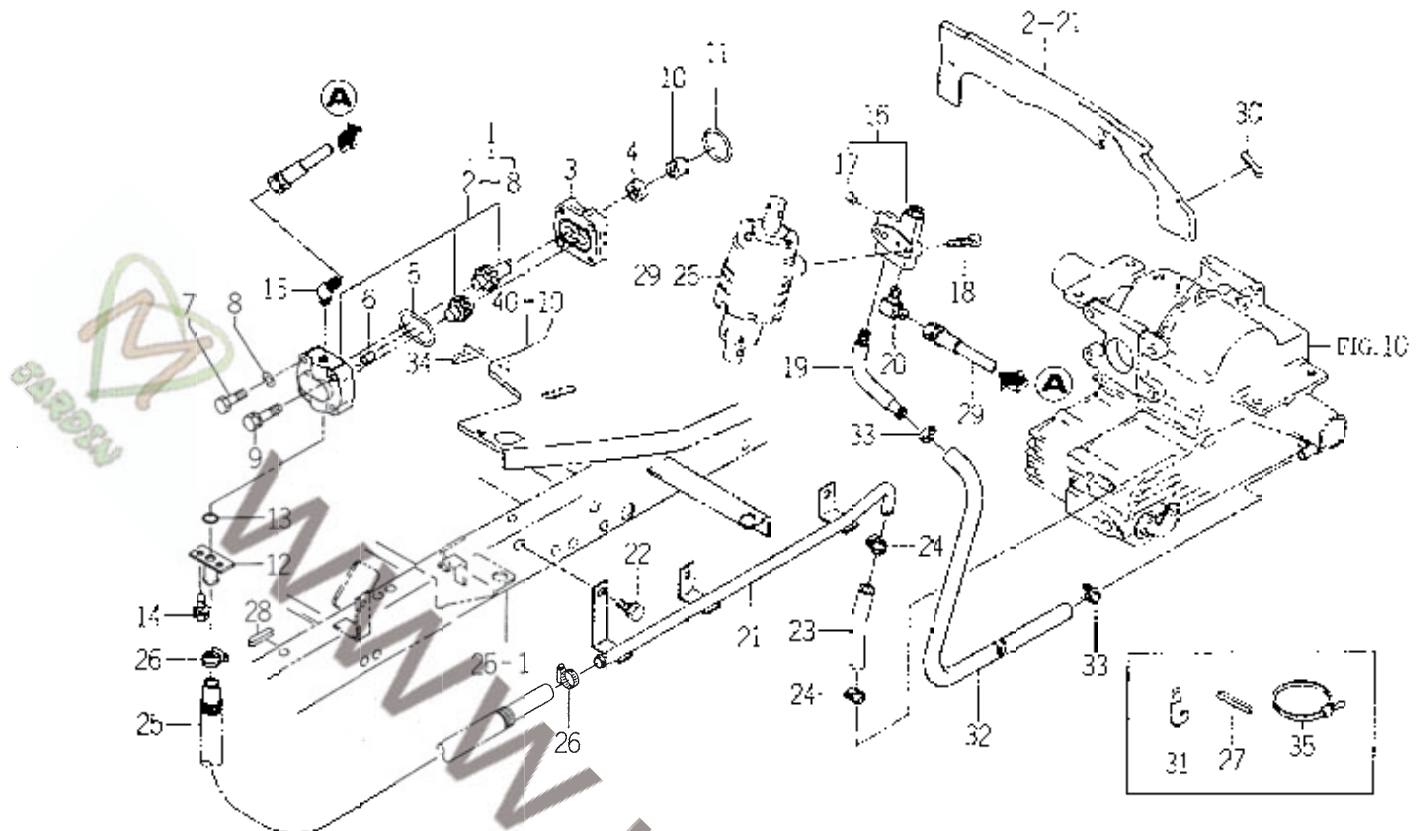
FIG. 30 STEERING SYSTEM (EXCEPT U TYPE)



KEY	PART CODE	DESCRIPTION	QTY	TYPE OF MODEL		I T C	C O I	P R G	REMARKS
				SG173H					
1	1593 - 407 - 051 - 60	CASE/STEERING	1	*					
2	V211 - 261 - 002 - 00	BOLT,SEMS	4	*					
3	1593 - 407 - 004 - 40	PLATE,STEERING	1	*					
4	V210 - 260 - 801 - 20	BOLT,SEMS	3	*					
5	1593 - 407 - 200 - 40	SHAFT,STEERING	1	*					
6	1593 - 407 - 002 - 00	BEARING, RB/1004	1	*					
7	1593 - 407 - 006 - 00	BEARING, RB/1202	1	*					
8	1480 - 207 - 011 - 00	WASHER/31X12X1	1	*					
9	V705 - 140 - 042 - 00	RING,SNAP/42 C	1	*					
10	V742 - 120 - 420 - 60	SEAL,OIL/VC20426	1	*					
11	1593 - 407 - 510 - 50	GEAR (HELICAL)/T72	1	*					
12	V600 - 110 - 800 - 40	BEARING, RB/6004	1	*					
13	V600 - 140 - 800 - 40	BEARING, RB/6004S	1	*					
14	V705 - 140 - 042 - 00	RING,SNAP/42 C	1	*					
15	1593 - 407 - 007 - 20	COLLAR/21X25X08	1	*					
16	1593 - 407 - 520 - 40	FLANGE/CONTROL COMP	1	*					
17	V211 - 360 - 802 - 00	BOLT (SP) M8X20	2	*					
18	1593 - 407 - 530 - 40	ARM/DRAW COMP	1	*					
19	V328 - 282 - 112 - 00	NUT/M12X1,25	1	*					
20	V411 - 280 - 012 - 00	WASHER/M12	1	*					
21	V401 - 160 - 012 - 00	WASHER,SP/M12	1	*					
22	V500 - 163 - 002 - 50	PIN,SPLIT/3 X25	1	*					



FIG. 31 POWER STEERING SYSTEM (U TYPE)



10/01

KEY	PART CODE	DESCRIPTION	QTY	TYPE OF MODEL		I C	C O I	G 3 P	REMARKS
				SC1-3H					
1	K130-003-000-00	PUMP/GEAR ASSY	1	*					
2	K130-003-100-00	PUMP/BEAR SET	1	*					
3	K130-003-003-00	COVER/GP/1	1	*					
4	V744-115-250-70	SEAL/OIL/TC15P57	1	*					
5	V723-1C2-005-60	O-RING	1	*					
6	K130-003-004-00	KNOCK	2	*					
7	V201-260-804-00	BOLT/M 8X40	2	*					
8	V401-160-008-00	WASHER/SP/M 8	2	*					
9	V211-260-804-00	BOLT,SEMS	2	*					
10	3640-350-003-10	CONNECTOR	1	*					
11	V723-1C2-004-00	O-RING	1	*					
12	2144-409-210-10	SUCTION/OUT COMP	1	*					
13	V720-1C2-401-60	O-RING/P16	1	*					
14	V210-260-601-60	BOLT,SEMS (3)	2	*					
15	3651-350-201-70	ADAPTER/45°	1	*					
16	K250-034-000-30	VALVE/RELIEF ASSY	1	*					
17	V780-140-000-21	PLUG/SCREW/SEAL	1	*					
18	1631-408-003-00	BOLT/B/15X25	2	*					
19	1631-408-001-10	PIPE/RETURN	1	*					
20	3788-185-022-10	ADAPTER (90° /PUMP)	1	*					
21	1631-408-210-00	PIPE/SUCTION COMP	1	*					
22	V211-261-002-00	BOLT,SEMS	1	*					
23	3543-350-001-00	HOSE/14X22X150	1	*					
24	J061-114-024-00	CLAMP/WORM/14-24	2	*					
25	1631-408-002-00	HOSE/14X22X450	1	*					

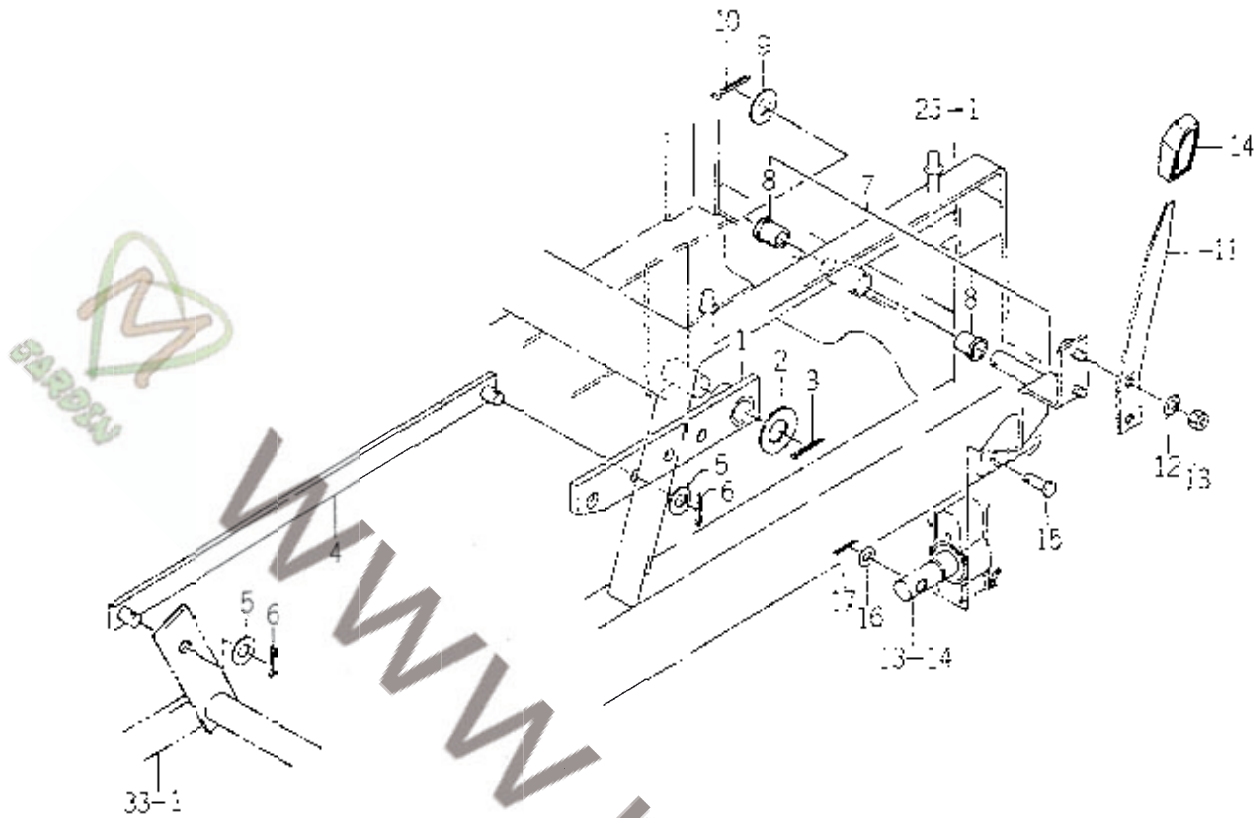








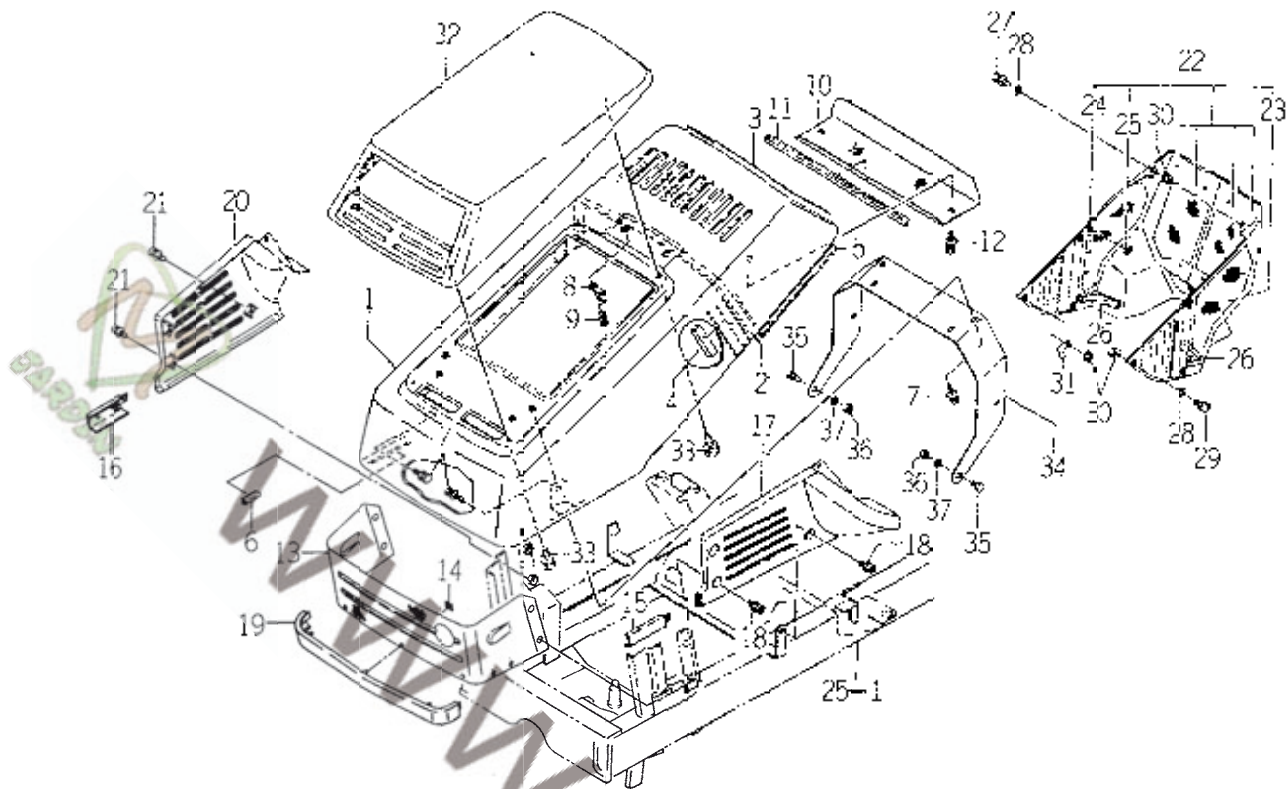
FIG. 35 LIFT CAM SYSTEM



KEY	PART CODE	DESCRIPTION	QTY	TYPE OF MODEL		I T C	C O L	G R P	REMARKS
				SG173H					
1	1608 - 554 - 200 - 10	ARM (LEFT)	1						
2	V411 - 260 - 020 - 00	WASHER/M20	1						
3	V530 - 163 - 003 - 00	PIN,SPLIT/3X30	1						
4	1608 - 554 - 210 - 10	PLATE,1/25X486	1						
5	V411 - 260 - 012 - 00	WASHER/M12	3						
6	V530 - 163 - 002 - 00	PIN,SPLIT/3 X90	2	*					
7	1608 - 554 - 600 - 20	ARM/CONTROL ASSY	1	*					
8	3058 - 221 - 001 - 10	BUSH/15X17X16	2	*					
9	V411 - 260 - 014 - 00	WASHER,PL/M14	1	*					
10	V530 - 163 - 002 - 00	PIN,SPLIT/3 X20	1	*					
11	1608 - 554 - 001 - 00	LEVER (RIGHT)	1	*					
12	V401 - 160 - 008 - 00	WASHER,SP/M 8	2	*					
13	V304 - 260 - 008 - 00	NUT/M 8	2	*					
14	1432 - 242 - 004 - 00	GRIP,B	1	*					
15	1608 - 554 - 002 - 00	PIN (08X25)	1	*					
16	V411 - 260 - 008 - 00	WASHER,FL/M 8	1	*					
17	V530 - 163 - 001 - 50	PIN,SPLIT/3 X15	1	*					



FIG. 37 HOOD SYSTEM



1321 00-A

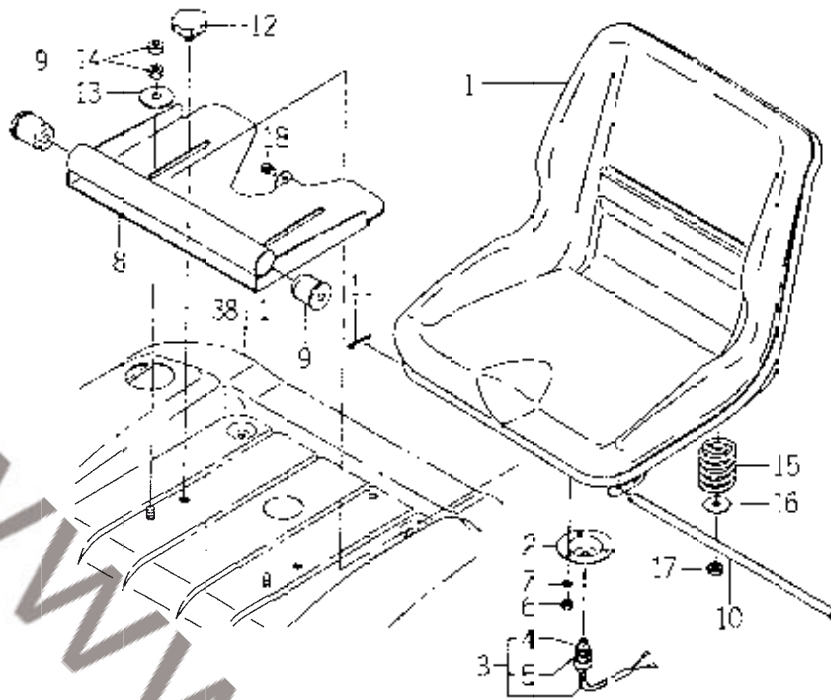
KEY	PART CODE	DESCRIPTION	QTY	TYPE OF MODEL		I T C	C O L	G R P	REMARKS
				SG173H					
1	1631 - 601 - 200 - 10	HOOD/A COMP	1	*				63	
2	1631 - 601 - 004 - 10	SEAL/20X20X720	1	*					
3	1593 - 601 - 067 - 30	TRIM/1X06X570	1	*					
4	1593 - 601 - 071 - 00	SEAL (20X10X33)	1	*					
5	1593 - 601 - 072 - 00	TRIM/1X5X360	2	*					
6	3661 - 212 - 001 - 00	LINING/EO	1	*					
7	V210 - 350 - 601 - 60	BOLT (S7) /MEX16	6	*					
8	3610 - 631 - 002 - 00	HANGER,SUPPORT	2	*					
9	V211 - 260 - 801 - 20	SCRT,SEW5 (S) /M8X12	2	*					
10	1631 - 601 - 001 - 10	COVER/FRONT/MESH	1	*				7F	
11	1593 - 601 - 072 - 00	TRIM/1X5X360	2	*					
12	4301 - 210 - 002 - 00	BOLT (S/N6#16)	2	*					
13	V350 - 160 - 005 - 00	NUT,SPEED/P8	5	*					
14	V350 - 160 - 005 - 00	NUT,SPEED/P8	5	*					
15	1631 - 601 - 005 - 00	COVER/SIDE/LH	1	*					
16	1631 - 601 - 006 - 00	COVER/SIDE/RH	1	*					
17	1593 - 601 - 011 - 00	COVER/FRONT/LH	1	*					
18	V120 - 366 - 001 - 60	SCREW	3	*					
19	1593 - 601 - 012 - 00	COVER/FRONT/C	1	*					
20	1593 - 601 - 013 - 00	COVER/FRONT/RH	1	*					
21	V120 - 366 - 001 - 60	SCREW	3	*					
22	1593 - 601 - 300 - 00	COVER/LOWER ASSY	1	*					
23	1593 - 601 - 524 - 10	NET,LOWER COVER/LH	1	*					
24	1593 - 601 - 525 - 10	NET,LOWER COVER/RH	1	*					
25	V350 - 160 - 004 - 00	NUT,SPEED/P4	33	*					







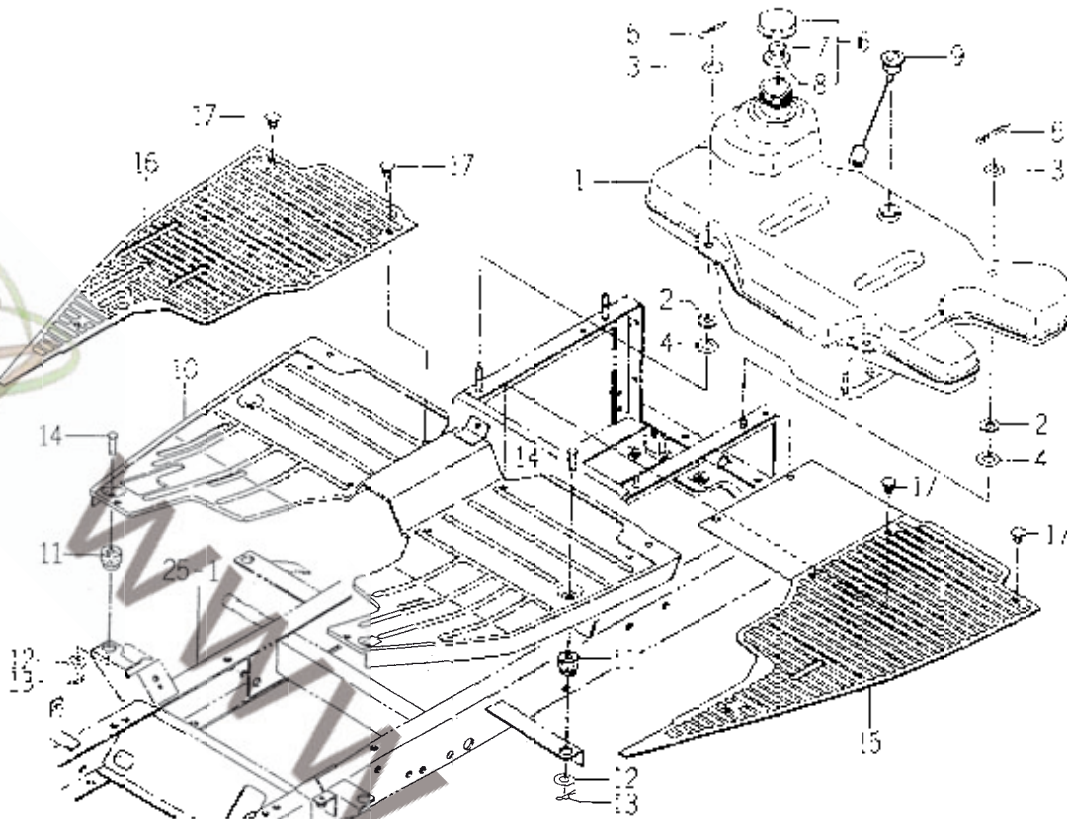
FIG. 39 SEAT SYSTEM



931 514

KEY	PART CODE	DESCRIPTION	QTY	TYPE OF MODEL		I T C	C O L	G R P	REMARKS
				SG: T3F					
1	1631 - 611 - 210 - 20	SEAT ASSY	1	*					
2	1593 - 811 - 011 - 20	HOLDER/SWITCH	1	*					
3	1593 - 623 - 280 - 00	SEATSWITCH ASSY	1	*					
4	1593 - 623 - 272 - 00	FOOT	1	*					
5	1593 - 623 - 273 - 00	NUT	1	*					
6	V301 - 260 - 003 - 00	NUT/M 6	3	*					
7	V401 - 160 - 003 - 00	WASHER,SP/M 6	3	*					
8	1593 - 611 - 203 - 50	STAY/SEAT COMP	1	*			6G		
9	14E8 - 611 - 001 - 00	RUBBER CUSHION (A)	2	*					
10	1593 - 811 - 013 - 00	PIN/10X382	1	*					
11	V500 - 163 - 002 - 00	PIN,SP,IT/3 X20	1	*					
12	1593 - 911 - 058 - 00	BOLT, XM08	2	*					
13	1593 - 611 - 001 - 00	WASHER/11X35X02	2	*					
14	V305 - 260 - 010 - 00	NUT/M 6	4	*					
15	1593 - 611 - 014 - 00	SPRING/D = 6	2	*					
16	1375 - 603 - 005 - 00	WASHER/9X22X2	2	*					
17	2144 - 117 - 002 - 00	NUT/V8	2	*					
18	1444 - 621 - 008 - 00	CLAMP	1	*					

FIG. 40 FUEL TANK AND STEP SYSTEM

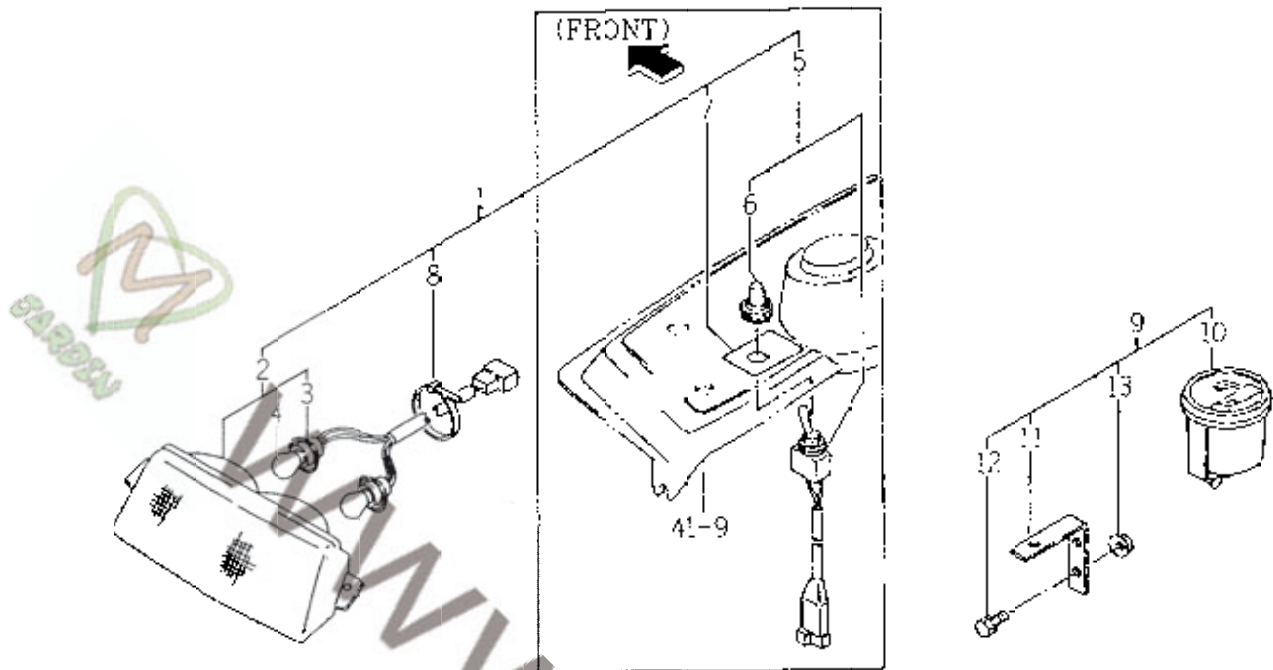


102 113

KEY	PART CODE	DESCRIPTION	QTY	TYPE OF MODEL		T	C	COL	PH	REMARKS
				SG173H						
1	1631 - 612 - 001 - 10	TANK/FUEL	1	*						
2	1593 - 612 - 005 - 00	INSULATOR/ 0X20X03	4	*						
3	V411 - 250 - 008 - 00	WASHER, PL/M 8	4	*						
4	3560 - 201 - 010 - 00	WASHER, BINDING SHAFT	4	*						
5	V500 - 162 - 501 - 50	PN, SPLIT/2,5X15	4	*						
6	1593 - 612 - 220 - 10	CAP, TANK	1	*						
7	2706 - 501 - 003 - 00	BREATHER, TANK CAP	1	*						
8	2706 - 501 - 004 - 00	GASKET	1	*						
9	1593 - 612 - 230 - 00	GAUGE, FUEL	1	*						
10	1608 - 616 - 200 - 20	STEP COMP	1	*				6G		
11	1593 - 616 - 004 - 20	GRUNMET/10X30X6	4	*						
12	V411 - 260 - 009 - 00	WASHER, PL/M 8	4	*						
13	3908 - 170 - 070 - 00	PN, SNAP/8	4	*						
14	1593 - 605 - 006 - 10	PN/3X36	4	*						
15	1608 - 616 - 001 - 10	MAT (LH)	1	*						
16	1608 - 616 - 002 - 20	MAT (RH)	1	*						
17	1527 - 604 - 002 - 00	CLIP (B)	8	*						



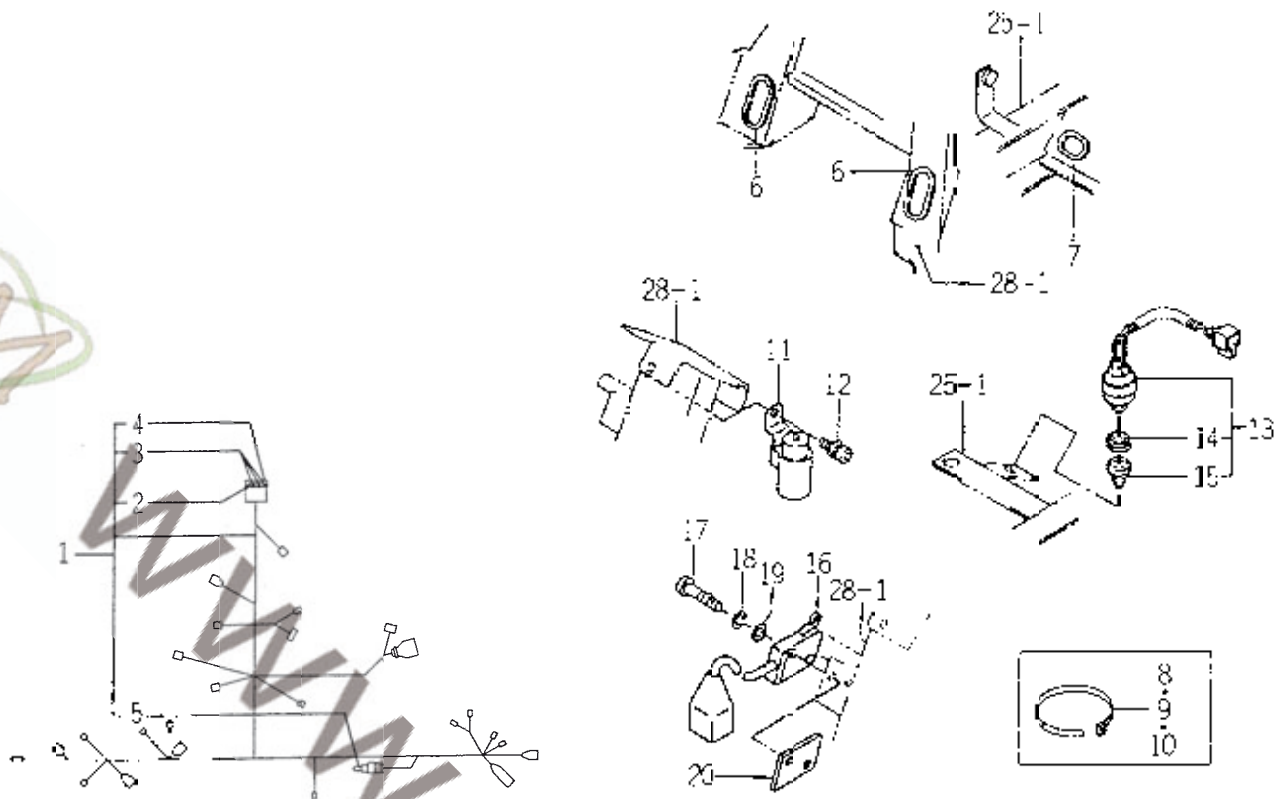
FIG. 42 HEAD LAMP AND HOUR METER SET (OPTION)



1593 022

KEY	PART CODE	DESCRIPTION	QTY	TYPE OF MODEL		I T C	C O I	G R P	REMARKS
				SG173H					
1	593 622 280 00	LAMP/HEAD SET	1	T					
2	593 622 250 00	LAMP HEAD ASSY	1	T					
3	593 622 240 00	LEAD	1	T					
4	1564 654 213 00	BULB, AMP/12V21W	2	T					
5	1593 622 270 00	SWITCH, HEAD LAMP	1	T					
6	3631 270 003 00	COVER/SWITCH	1	T					
7	1593 522 004 00	LABEL/SW/HEAD LAMP	1	T					
8	3737 172 010 00	BAND/HARNESS	3	T					
9	1593 630 230 00	METER/HOUR SET	1	T					
10	593 630 210 00	METER/HOUR ASSY	1	T					
11	593 630 211 00	PLATE/L/10X55	1	T					
12	V210 250 601 60	BOLT, SEMS (S)	2	T					
13	V300 250 006 00	NUT/V6	2	T					

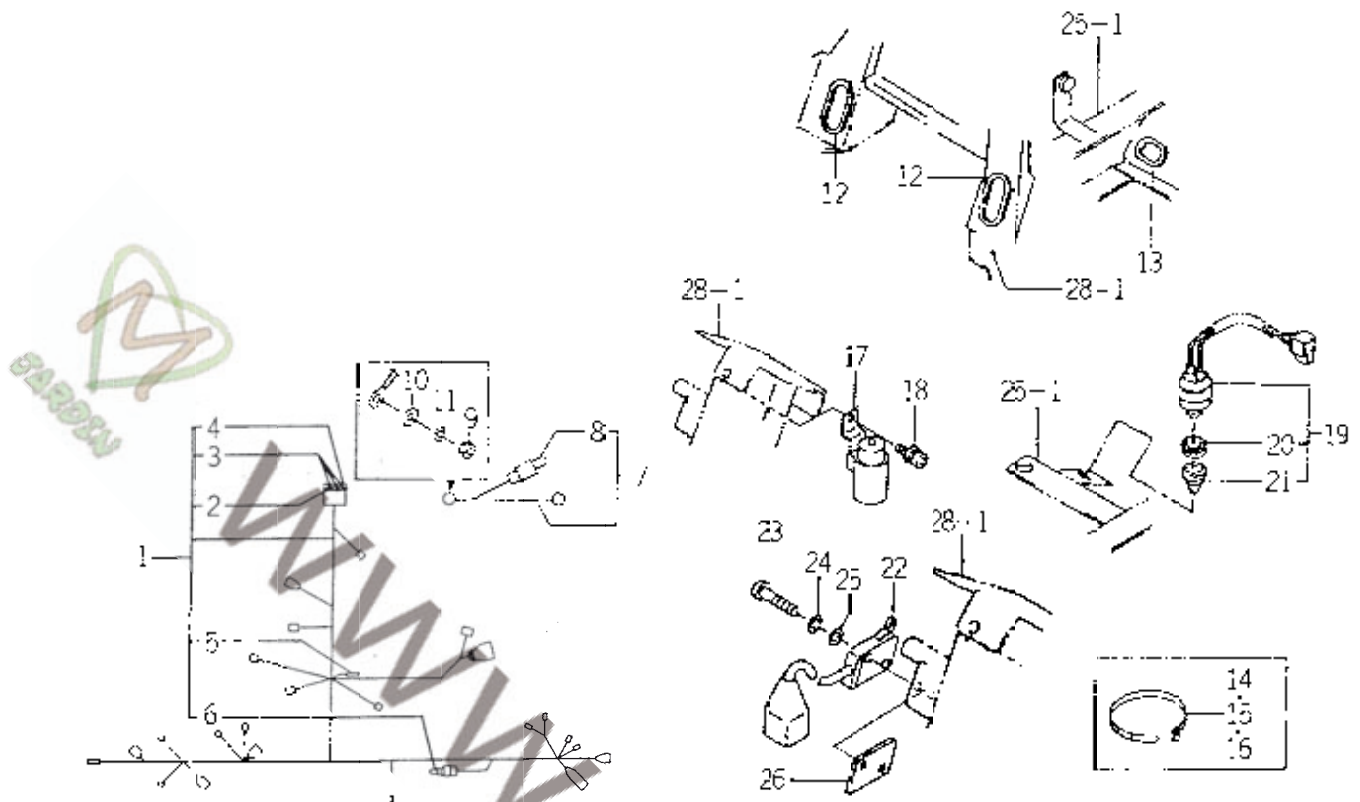
FIG. 43 HARNESS SYSTEM (EXCEPT S TYPE)



16-5 \*773

KEY	PART CODE	DESCRIPTION	QTY	TYPE OF MODEL		I C	C O L	P R G	REMARKS
				S	SH				
1	1608 623 200 00	HARNESS/MAIN ASSY	1	*					
2	1575 623 009 00	FUSE/32V03A	1	*					
3	1575 623 010 00	FUSE/32V10A	3	*					
4	1593 623 503 00	CAP.FUSE BOX	1	*					
5	1593 623 504 00	SHORT COUPLER/REAR/P	1	*					
6	1593 623 002 00	GROMMET/150	2	*					
7	1593 623 001 00	GROMMET	1	*					
8	1593 623 003 00	BAND	2	*					
9	3737 172 010 00	BAND/HARNESS	15	*					
10	3746 185 014 00	BAND/HOSE	2	*					
11	1581 621 290 00	RELAY/4P	1	*					
12	V170 368 001 60	SCREW	1	*					
13	1560 664 250 00	SWITCH/PUSH SELF	1	*					
14	1560 664 252 00	NUT	1	*					
15	1560 664 253 00	BOLT	1	*					
16	1593 623 520 00	SWITCH/MERIT	1	*					
17	V111 163 002 00	SCREW M3X20	2	*					
18	V401 160 003 00	WASHER/SP/M3	2	*					
19	V411 260 003 00	WASHER/M3	2	*					
20	3564 273 001 00	PLATE/RX13X35	1	*					

FIG. 44 HARNESS SYSTEM (S TYPE)



001 613C

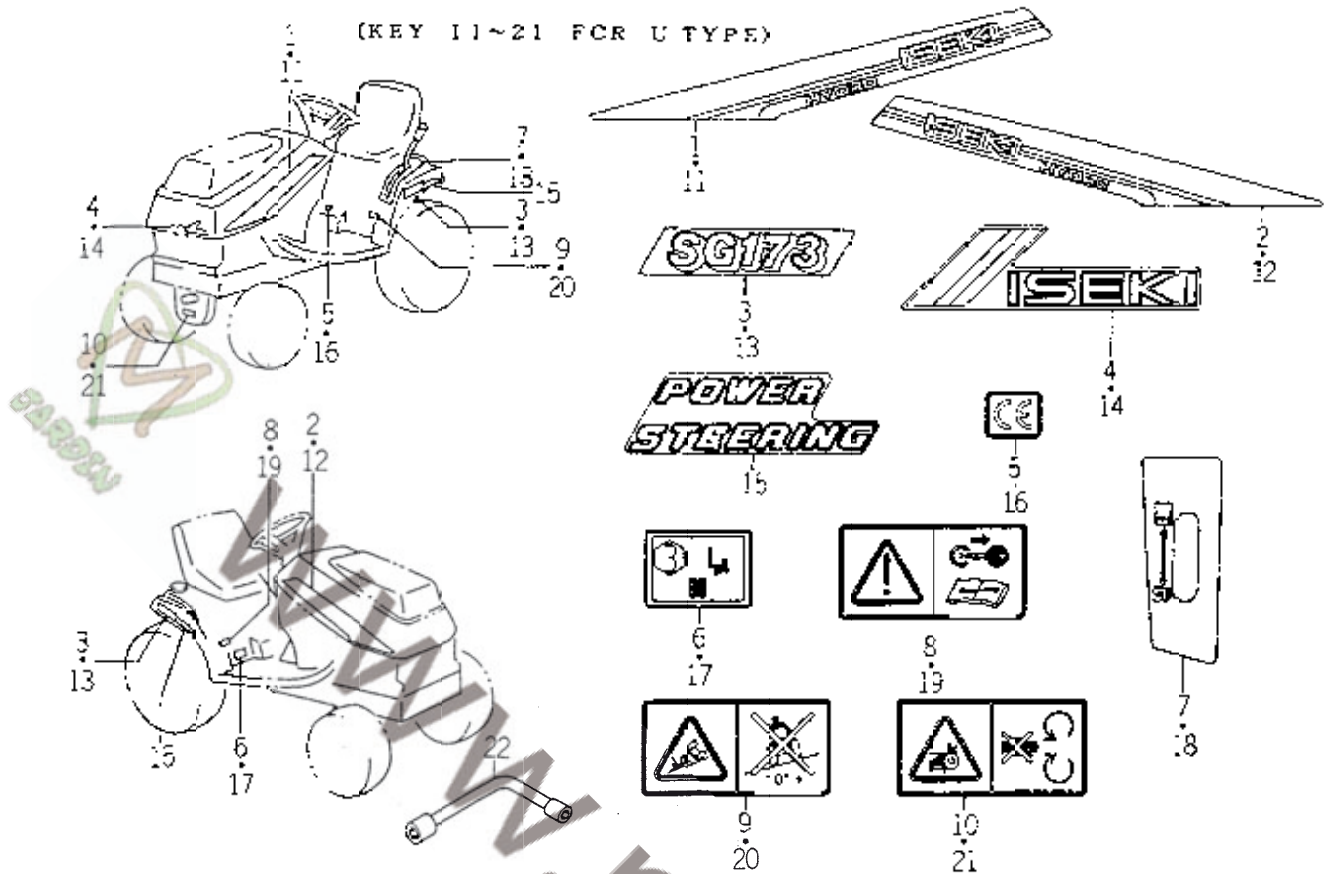
KEY	PART CODE	DESCRIPTION	QTY	TYPE OF MODEL			REMARKS
				SG173H	C	PRP	
1	1608 - 523 - 210 - 00	HARNESS/MAIN/S ASSY	1	*			
2	1575 - 623 - 029 - 00	FUSE/32V03A	1				
3	1575 - 623 - 010 - 00	FUSE/32V10A	3				
4	1593 - 623 - 503 - 00	CAP.FUSE 90X	1				
5	3650 - 262 - 202 - 00	DIODE/3.0A	1	*			
6	1593 - 623 - 504 - 00	SHORT COUPLER/REAR/P	1	*			
7	1593 - 623 - 610 - 00	HARNESS/GENERATOR	1				
8	3650 - 261 - 261 - 00	LINK,FUSIBLE	1				
9	V301 - 260 - 006 - 00	NUT/M 6	1	*			
10	V411 - 260 - 005 - 00	WASHER / M6	1	*			
11	V401 - 160 - 006 - 00	WASHER,SP/M 6	1	*			
12	1593 - 623 - 002 - 00	GROMMET / 50	2				
13	1593 - 623 - 001 - 00	GROMMET	1	*			
14	1593 - 623 - 003 - 00	BAND	3	*			
15	3797 - 172 - 010 - 00	BAND/HARNESS	15	*			
16	3746 - 185 - 014 - 00	BAND,HOSE	3	*			
17	1581 - 621 - 290 - 00	RELAY/4P	1	*			
18	V120 - 386 - 001 - 80	SCREW	1	*			
19	1560 - 664 - 250 - 00	SWITCH/PUSH SET	1	*			
20	1550 - 664 - 252 - 00	NUT	1	*			
21	1550 - 664 - 253 - 00	BOGT	1	*			
22	1593 - 623 - 520 - 00	SWITCH/MERIT	1	*			
23	V111 - 183 - 002 - 00	SCREW M3X20	2	*			
24	V401 - 160 - 003 - 00	WASHER,SP/M 3	2	*			
25	V411 - 260 - 003 - 00	WASHER/M3	2	*			





FIG. 45 MARK AND TOOL

(KEY 11~21 FOR U TYPE)



142-001

KEY	PART CODE	DESCRIPTION	QTY	TYPE OF CODE		I T C	C O L	G R P	REMARKS
				SG173H					
1	1631 - 901 - 003 - 00	ORNAMENT / L	1	*					
2	1631 - 901 - 003 - 00	ORNAMENT / R	1	*					
3	1631 - 901 - 011 - 00	ORNAMENT / 173	2	*					
4	1593 - 901 - 019 - 00	ORNAMENT / F	1	*					
5	2500 - 901 - 027 - 00	LABEL / CE	1	*					
6	1636 - 901 - 009 - 00	LABEL / NOISE / LPA / SD	1	*					
7	1608 - 901 - 003 - 10	LABEL (LIFT)	1	*					
8	1593 - 901 - 015 - 00	LABEL / MAINTENANCE	1	*					
9	1636 - 901 - 015 - 00	LABEL / WARNING / SLOPE	1	*					
10	8595 - 901 - 006 - 00	LABEL / WARNING / BELT	1	*					
11	1631 - 901 - 008 - 00	ORNAMENT / LF	1	*					
12	1631 - 901 - 009 - 00	ORNAMENT / RH	1	*					
13	1631 - 901 - 011 - 00	ORNAMENT / 173	2	*					
14	1593 - 901 - 019 - 00	ORNAMENT / F	1	*					
15	1631 - 901 - 012 - 00	ORNAMENT / POWER STEER	2	*					
16	2500 - 901 - 027 - 00	LABEL / CE	1	*					
17	1636 - 901 - 009 - 00	LABEL / NOISE / LPA / SD	1	*					
18	1608 - 901 - 003 - 10	LABEL (LIFT)	1	*					
19	1593 - 901 - 015 - 00	LABEL / MAINTENANCE	1	*					
20	1636 - 901 - 015 - 00	LABEL / WARNING / SLOPE	1	*					
21	8595 - 901 - 006 - 00	LABEL / WARNING / BELT	1	*					
22	4319 - 911 - 001 - 00	SPANNER / L - TYPE	1	*					







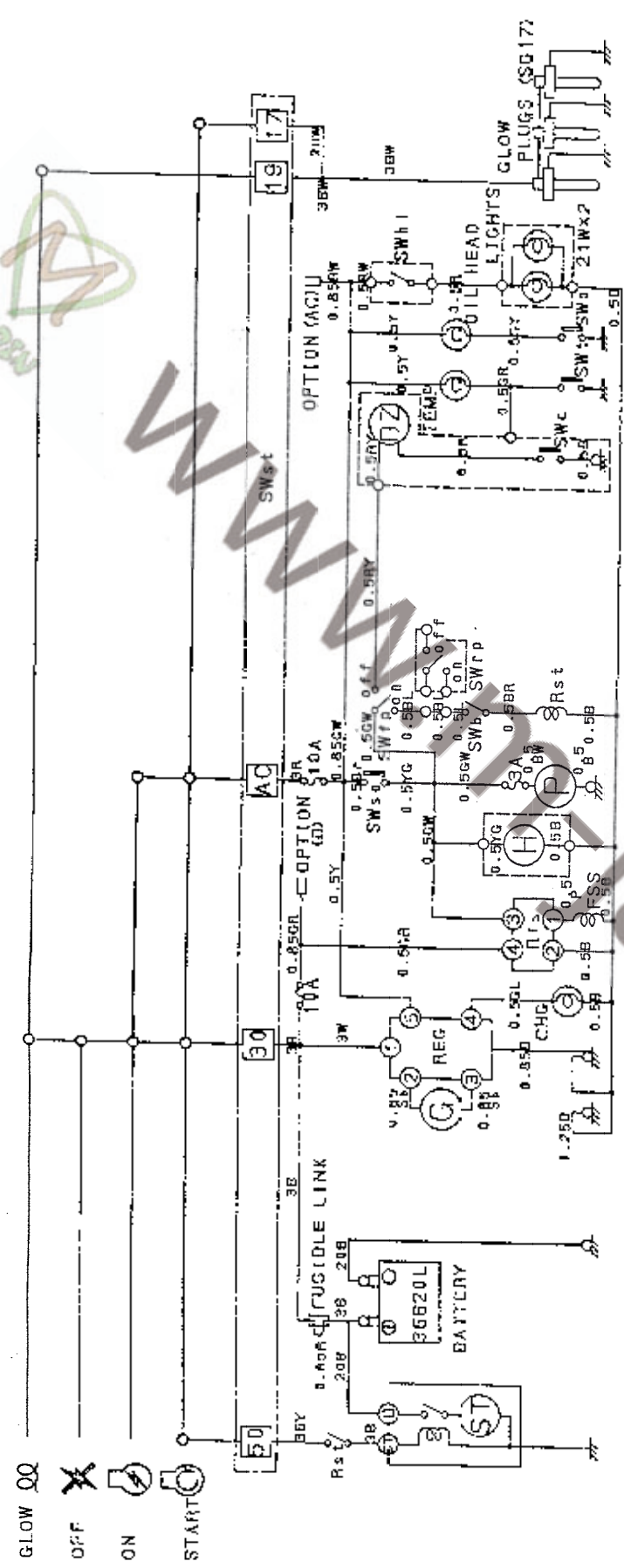








# WIRING DIAGRAM / SG173



B	Black end white
GW	Green and white
BR	Black end red
GR	Green and red
BL	Black and blue
GL	Green and blue
BY	Black and yellow
P	Pink
Br	Brown
Sb	Skylblue
W	White
R	Red
RW	Red end white
RY	Red end yellow
L	Blue
Y	Yellow
YG	Yellow end green

Switch connection

SWse: On : Sit on the seat  
 SWrp: On : Disengage the front PTO  
 SWrp: On : Disengage the rear PTO  
 SWb : On : Depress the brake pedal  
 SWc : On : Fill the collector with grass  
 SWt : On : At the over heated  
 SWo : On : At the low oil pressure  
 SWh: On : The lever turns up

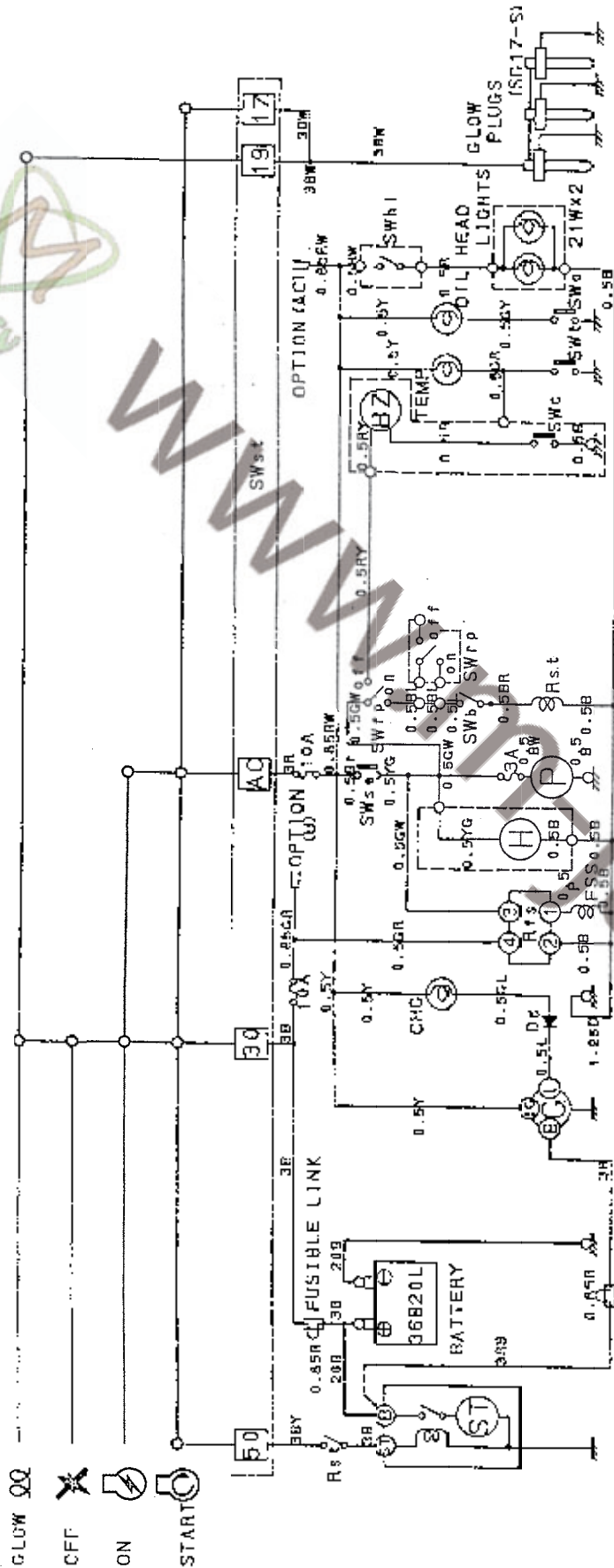
Optional parts

ST : Starter (0.8kW)  
 G : Generator (0.5A)  
 H : Hour meter  
 P : Pump  
 BZ : Buzzer  
 Rst : Starter relay  
 Rts : Fuel shut-off relay  
 SWst: Starter switch  
 SWse: Seat switch  
 SWfc: Front PTO switch  
 SWrp: Rear PTO switch  
 SWb : Brake switch  
 SWc : Collector switch  
 SWt : Temperature switch  
 SWo : Oil pressure switch  
 SWh: Head lights switch  
 FSS : Fuel shut-off solenoid  
 CHG : Charge lamp (3.4W)  
 TLMp: Temperature lamp (3.4W)  
 OIL : Oil pressure lamp (3.4W)



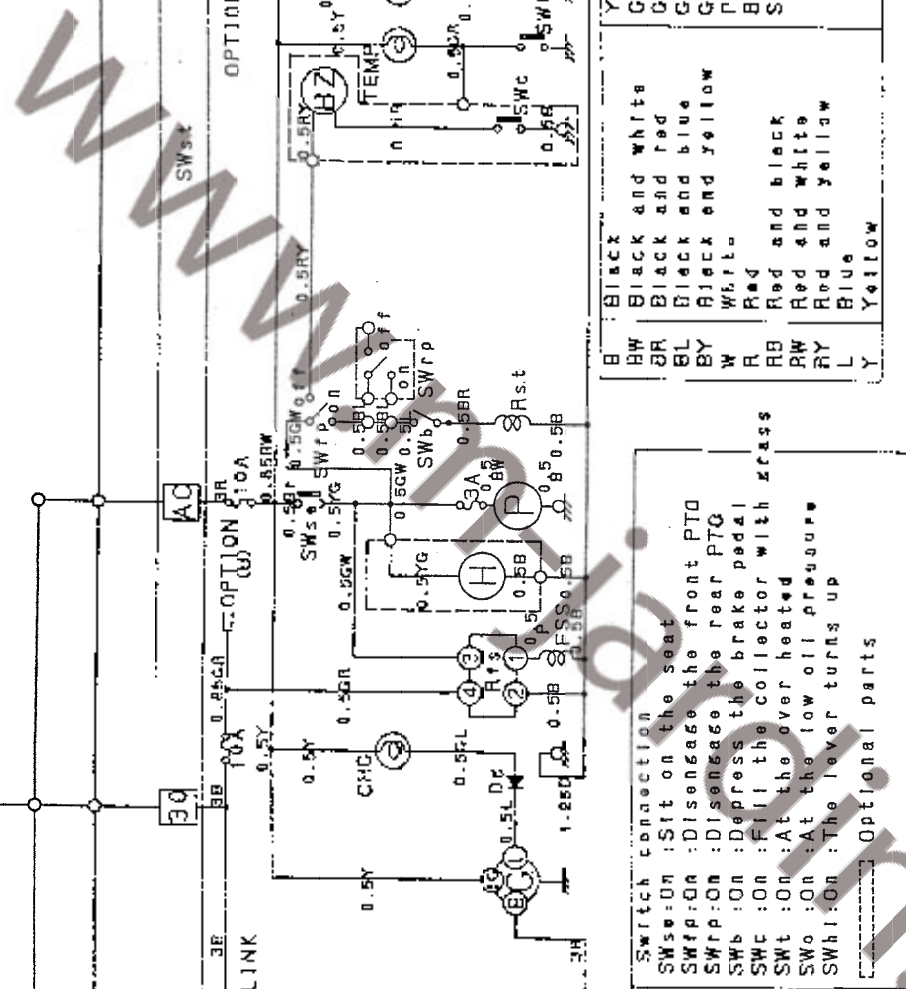
www.sardin.com

# WIRING DIAGRAM / SG173 / S

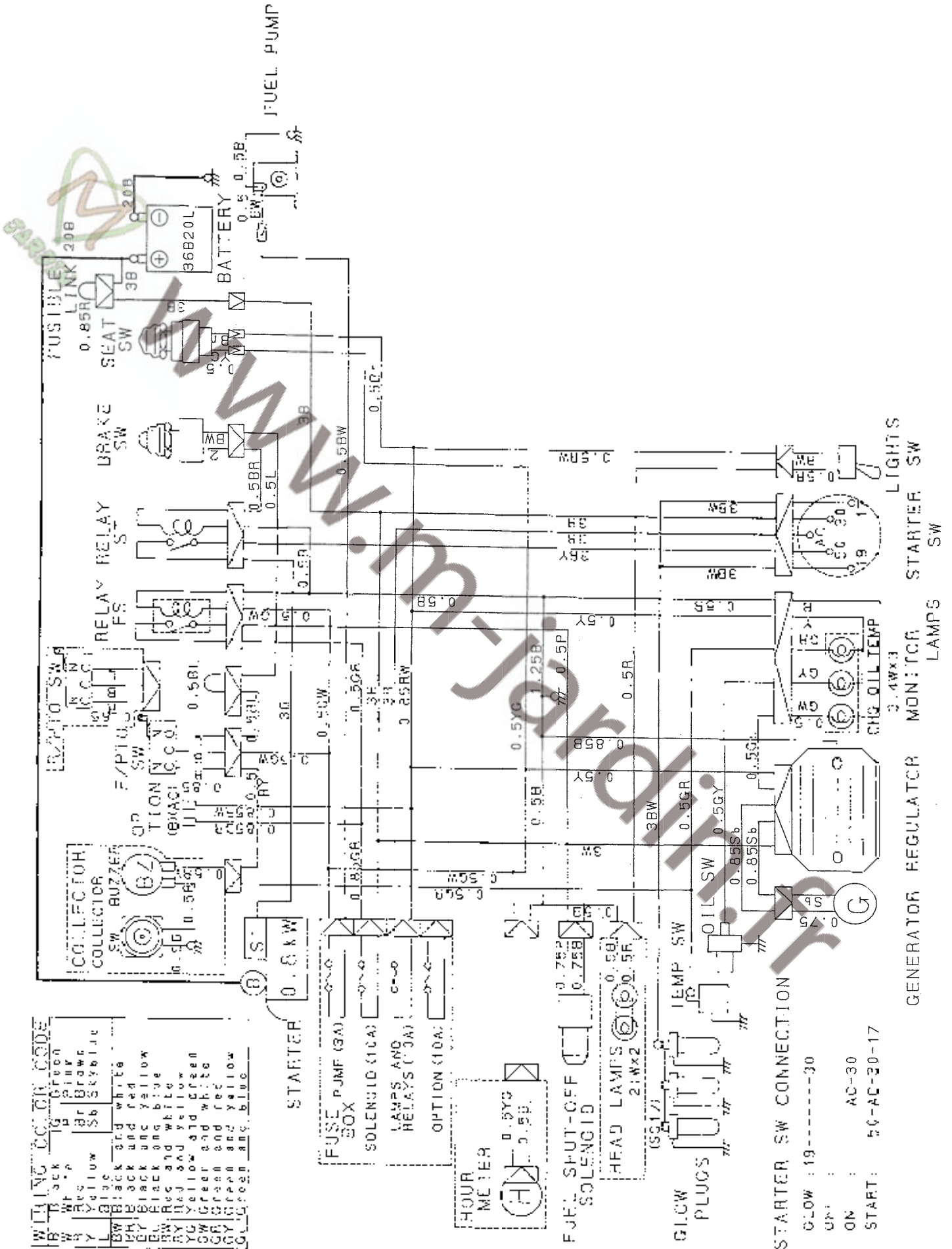


B	Black and white	YC	Yellow and green
BH	Black and red	G	Green
BR	Black and blue	GW	Green and white
BL	Black and yellow	GR	Green and red
BY	Black and white	GL	Green and blue
W	White	P	Pink
R	Red	Br	Brown
RB	Red and black	Sb	Skyblue
RY	Red and white		
RY	Red and yellow		
L	Blue		
Y	Yellow		

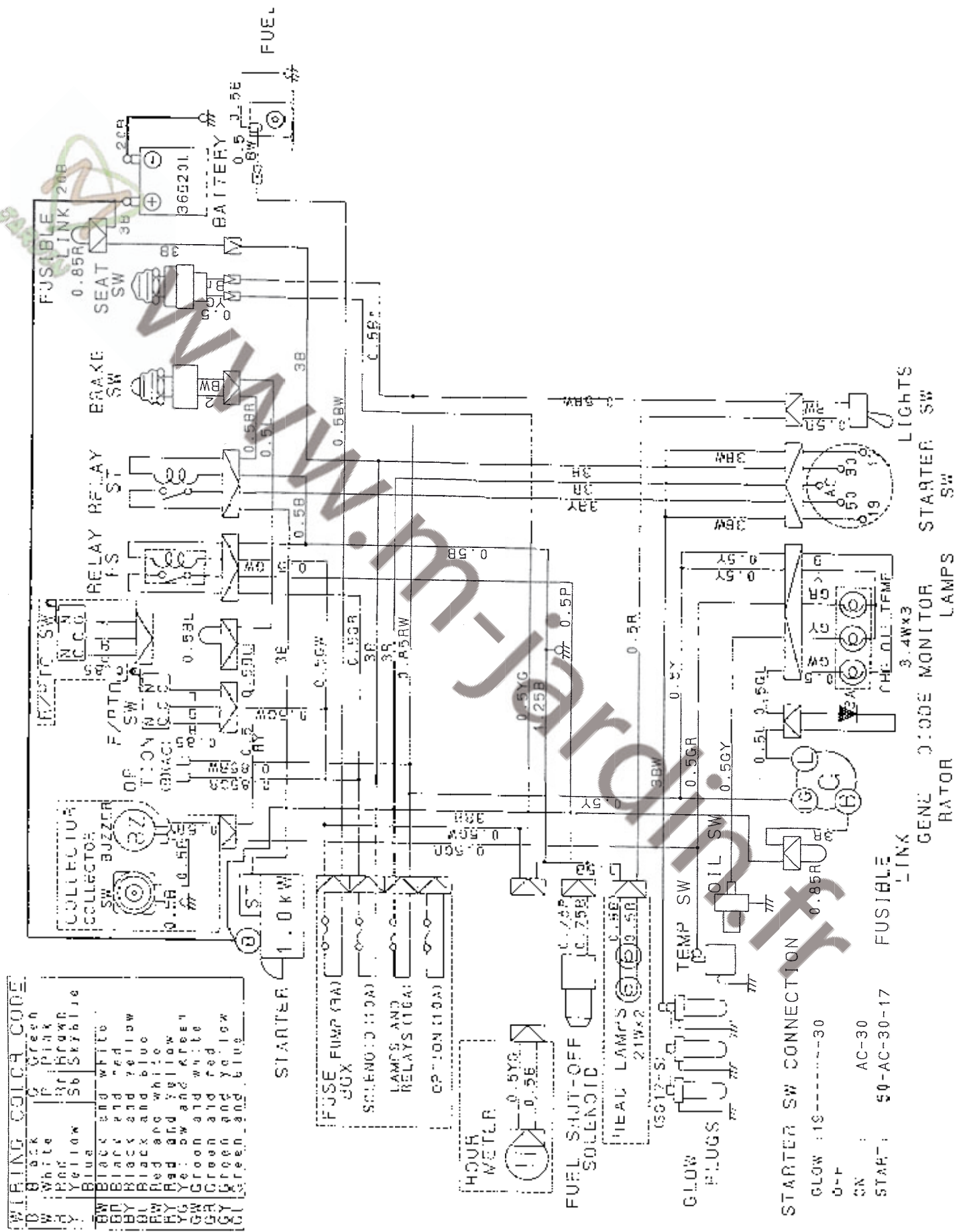
ST	: Starter (1.2kW)	Switch connection
G	: Generator (30A)	SWse: On : Sit on the seat
H	: Hour meter	SWfp: On : Disengage the front PTO
P	: Pump	SWrp: On : Disengage the rear PTO
Bz	: Buzzer	SWb : On : Depress the brake pedal
Rst	: Starter relay	SWc : On : Fill the collector with grass
Rfs	: Fuel shut-off relay	SWt : On : At the over heated
SWst	: Starter switch	SWo : On : At the low oil pressure
SWs	: Seat switch	SWhl: On : The lever turns up
SWfp	: Front PTO switch	
SWrp	: Rear PTO switch	
SWb	: Brake switch	
SWc	: Collector switch	
SWt	: Temperature switch	
SWo	: Oil pressure switch	
SWhl	: Head lights switch	
FSS	: Fuel shut-off solenoid	
CHG	: Charge lamp (3.4W)	
TEMP	: Temperature lamp (3.4W)	
OIL	: Oil pressure lamp (3.4W)	
De	: Diode	



# REAL WIRING DIAGRAM / SG173



# REAL WIRING DIAGRAM /SG173/S



## NUMERICAL INDEX

6003-097-140-0A

PART CODE	FIG. KEY	PART CODE	FIG. KEY	PART CODE	FIG. KEY
J051-215-015-00	17 23	6209-046-001-00	9 16	6211-312-001-20	24 14
J052-062-037-00	21 6	6209-050-001-00	9 33	6211-312-002-20	9 37
J052-076-082-00	21 5	6209-050-002-00	9 34		24 15
V211-560-802-00	3 3	6209-055-001-00	20 7	6211-319-002-00	9 39
	9 14	6209-300-002-00	17 18	6211-321-001-10	9 48
	17 19	6209-360-010-00	21 2	6211-322-009-00	9 49
	17 27	6209-360-028-10	2 6	6211-340-001-30	8 1
	22 4	6209-409-001-00	9 19	6211-342-001-30	8 2
V211-560-802-50	4 3	6209-409-003-00	11 18	6211-351-010-10	7 1
V341-120-008-00	9 20	6209-490-002-00	2 4	6211-510-001-30	5 10
V411-260-006-00	20 35	6209-500-003-00	9 17A	6211-511-003-00	5 11
V600-110-600-20	9 46	6209-530-002-10	20 31	6211-511-004-00	5 12
V600-110-600-40	20 12	6209-587-001-00	13 4	6211-540-001-00	6 1
V600-110-620-30	9 47	6209-505-004-00	1 4	6211-560-001-00	6 3
	20 11	6209-510-001-00	5 3	6211-599-001-10	5 13
V682-240-000-60	1 9	6209-610-002-10	9 4		6 2
V704-140-316-00	11 16	6209-625-001-00	5 14		6 4
V705-140-012-00	9 32		24 10	6211-715-002-00	1 5
V705-140-040-00	9 41	6209-625-002-00	9 5	6211-721-001-00	1 6
V710-140-004-00	9 24		24 12	6211-721-002-00	1 7
	20 21	6209-630-002-10	23 5	6211-751-001-10	2 2
	20 25		24 22	6211-760-003-10	5 29
V720-101-900-80	20 30	6209-740-001-00	9 27	6211-777-037-20	10 1
V720-102-401-50	16 9	6209-749-001-10	5 15	6212-111-010-10	13 1
	24 17		9 42	6212-114-010-10	14 1
V723-102-401-80	7 3	6209-788-001-00	5 27	6212-116-010-10	14 3
V723-102-004-20	9 40	6209-840-004-00	11 15	6212-121-005-00	13 2
	24 16	6211-110-011-40	1 1	6212-124-005-00	14 2
V723-102-005-50	17 31	6211-141-007-30	1 10	6212-126-005-00	14 4
	24 21		24 3	6212-211-001-10	13 3
3373-121-001-00	22 5	6211-150-007-00	1 2	6212-230-003-00	13 5
3625-301-002-00	7 2	6211-170-004-10	2 1	6212-235-001-00	13 6
3625-540-004-00	9 22	6211-173-002-00	2 3	6212-261-006-00	13 8
3209-000-002-00	11 19		24 4	6212-264-006-00	6 5
3209-000-003-00	1 11	6211-210-014-20	5 1	6212-266-003-00	6 6
6209-000-004-00	5 2	6211-258-001-00	5 8	6212-310-002-00	15 1
6209-000-004-10	5 2A		24 8	6212-310-008-10	15 1A
6209-000-013-00	15 7	6211-258-002-00	5 9	6212-330-013-30	15 5
6209-000-001-00	15 6		24 9	6212-333-001-00	15 6
6209-000-005-00	9 6	6211-331-001-10	5 23	6212-371-014-20	15 8
6209-030-000-00	9 7	6211-232-001-20	5 24	6212-379-001-00	15 9
	17 28		24 11	6212-511-002-00	12 1
6209-030-341-00	18 4	6211-310-006-20	5 1	6212-521-002-00	15 3
6209-030-049-00	20 16	6211-311-004-20	9 36	6212-522-003-00	12 2
6209-044-001-00	20 28	6211-312-001-20	9 28	6212-523-003-00	12 5

PART CODE	FIG. KEY	PART CODE	FIG. KEY	PART CODE	FIG. KEY
6212-524-032-00	23 9	6213-521-053-00	17 5	6215-410-036-10	19 4
6212-530-034-00	9 45	6213-522-032-10	17 5	6215-410-057-00	19 5
6212-531-005-10	5 6	6213-531-032-00	17 3	6215-412-001-20	21 1
6212-535-001-30	12 4	6213-531-035-00	17 4	6215-520-031-00	20 15
6212-535-002-30	23 13	6213-541-034-00	18 2	6215-520-031-10	20 17
6212-551-001-00	11 1	6213-542-032-00	17 7	6215-531-035-00	20 26
6212-552-001-00	11 2	6213-560-036-00	18 1	6215-541-031-00	20 18
6212-561-001-00	11 3	6213-560-032-00	18 3	6215-541-032-10	20 23
6212-563-001-00	11 4	6213-571-032-00	18 5	6215-541-033-10	20 27
6212-565-001-00	11 5	6213-574-034-10	22 3	6215-542-001-10	9 23
6212-569-002-00	1 8	6213-711-003-20	17 30	6215-542-002-00	20 20
	24 2	6213-716-021-40	17 24	6215-543-001-10	20 19
6212-571-001-10	11 6	6213-721-031-00	5 22	6215-545-031-00	9 18
6212-575-001-00	11 7	6213-721-033-00	17 25	6215-549-031-10	5 26
6212-600-002-00	11 8	6213-729-001-00	17 22	6215-549-033-00	20 22
6212-611-004-10	11 9	6213-743-002-10	17 20	6215-549-037-00	20 33
6212-615-002-30	11 17		24 20	6215-549-007-10	20 33A
6212-620-001-10	11 10	6214-111-011-20	3 1	6215-549-008-00	20 37
6212-621-002-10	11 11	6214-115-001-20	3 2	6215-549-021-00	20 32
6212-626-002-10	11 12		24 6	6215-549-029-00	20 24
6212-628-004-00	11 13	6214-141-022-00	4 1	6215-600-058-00	20 1
6212-628-005-00	11 14	6214-145-001-30	4 2	6215-611-032-00	26 1
6213-100-033-20	16 1		24 7	6215-612-032-00	26 34
6213-111-031-20	16 2	6215-300-005-00	19 1	6215-615-012-00	26 35
6213-120-003-00	16 3	6215-311-005-00	25 1	6215-619-013-00	26 37
6213-125-001-00	16 4	6215-315-002-00	19 2	6215-619-014-00	26 38
6213-140-002-00	16 6	6215-330-007-00	25 2	6215-619-015-00	26 39
6213-149-001-00	16 10	6215-332-002-00	25 16	6215-619-016-00	26 40
6213-160-002-00	9 29	6215-339-002-00	25 15	6215-619-017-00	26 41
6213-161-001-00	9 30	6215-342-002-00	25 3	6215-621-006-10	20 8
6213-164-001-00	9 31	6215-343-002-00	25 4	6215-622-002-00	26 12
6213-249-002-00	15 15	6215-345-044-00	25 5	6215-629-017-00	26 13
6213-311-000-10	15 12	6215-345-045-00	25 6	6215-629-018-00	26 14
6213-319-001-00	9 2	6215-345-046-00	25 7	6215-629-020-00	26 18
6213-310-005-30	17 1	6215-345-047-00	25 8	6215-629-021-00	26 19
6213-311-003-20	17 2	6215-345-048-00	25 9	6215-629-022-00	26 20
6213-312-004-00	17 9	6215-345-049-00	25 10	6215-629-023-00	26 21
6213-313-002-10	17 8	6215-345-050-00	25 11	6215-629-024-00	26 22
6213-314-003-10	17 12	6215-345-051-00	25 12	6215-629-025-00	26 23
	24 16	6215-345-052-00	25 13	6215-629-026-00	26 24
6213-314-005-10	17 17	6215-345-053-00	25 14	6215-629-027-00	26 25
	24 19	6215-355-033-00	25 18	6215-629-028-00	26 26
6213-319-002-00	17 11	6215-359-033-00	25 17	6215-629-029-00	26 27
6213-319-003-00	17 10	6215-359-034-00	25 19	6215-629-030-00	26 28
6213-319-005-00	17 16	6215-410-035-10	19 3	6215-629-031-00	26 29

6003 097-140-0A

PART CODE	FIG. KEY	PART CODE	FIG. KEY	PART CODE	FIG. KEY
6215-625-032-00	25 30	5281-229-022-00	28 6	6901-910-840-00	9 10
6215-625-033-00	25 31	5281-229-023-00	28 7	6901-910-845-00	9 15
6215-625-034-00	25 32	5281-229-024-00	28 8		9 44
6215-631-004-00	25 2	5281-229-025-00	28 9		17 13
6215-634-032-00	25 15	5281-229-026-00	28 10	6901-911-020-00	8 3
6215-635-002-00	25 8	6281-229-027-00	28 11		10 2
6215-635-003-00	25 36	6281-229-028-00	28 12	6901-911-025-00	22 9
6215-637-002-00	25 33	6281-229-031-00	28 4	6902-050-815-00	5 38
6215-639-006-00	25 15	6281-270-001-00	22 2	6904-110-818-00	5 19
6215-639-007-00	25 17	6281-410-002-20	23 3	6904-110-840-00	5 18
6215-641-002-00	26 3	5281-910-001-00	23 5	5908-000-716-00	12 3
6215-643-008-00	26 4	5281-920-001-00	23 8		20 10
6215-644-003-00	26 6	5281-971-001-10	23 1	5908-000-750-00	15 4
6215-643-003-00	26 5	5287-810-004-10	24 1	5908-160-408-00	16 5
6215-643-004-00	26 7	6509-000-084-00	9 8	5908-160-510-00	5 17
6215-643-005-00	26 9		9 43	5908-160-815-00	5 16
6215-649-006-00	26 10	6509-030-037-00	9 9	5908-161-018-00	15 2
6215-649-007-00	26 11	6509-860-912-10	21 3	5909-110-405-00	5 28
6219-732-002-00	23 4	6509-605-019-10	5 5		9 35
6219-752-001-00	20 2		9 3		20 34
6219-752-002-00	20 3	3513-770-022-10	17 29	6909-110-408-00	27 23
6219-752-003-00	20 4	3515-419-014-00	21 4	6909-110-410-00	22 7
6219-752-004-00	20 5	3581-117-007-00	27 10	6909-110-508-00	9 12
6219-752-005-00	20 5	3581-123-011-00	27 12		11 21
6281-100-003-00	22 8	3581-125-092-00	27 15		17 14
6281-111-002-00	27 1	3581-129-096-00	27 16		17 20
6281-115-004-00	27 11	3581-129-099-00	27 13	6909-111-406-00	20 29
6281-115-002-00	27 2	3581-129-100-00	27 14	6909-111-508-00	27 20
6281-118-001-00	27 9	3582-450-014-00	23 2	6909-150-506-00	20 36
6281-121-003-00	27 3	3894-207-904-00	22 5	6909-150-508-00	9 13
6281-124-001-00	27 6	3894-240-902-00	13 7		17 15
6281-129-006-00	27 7	3894-453-344-00	5 20		17 21
6281-129-007-00	27 7	3901-050-850-00	11 20		27 22
6281-129-008-00	27 18	3901-066-845-00	15 10	6909-164-508-00	11 22
6281-129-009-00	27 19	3901-910-612-00	5 25	6909-202-308-00	9 25
6281-129-010-00	27 4		7 4	6909-572-338-00	2 5
6281-129-011-00	27 5		12 5		24 5
6281-129-019-00	27 21		20 14	6909-830-212-00	1 12
6281-151-004-00	27 8		23 7	6909-902-299-00	5 21
6281-200-007-00	22 1	6901-910-525-00	16 7	6909-905-105-10	16 13
6281-211-004-00	28 2	6901-910-816-00	8 4	6909-920-843-00	9 17
6281-215-008-00	28 1		16 11		9 21
6281-214-006-00	28 13	6901-920-830-00	17 32		9 26
6281-222-007-00	28 3	6901-920-835-00	9 11		16 14
6281-225-021-00	28 5	6901-920-840-00	3 4		24 13





## NUMERICAL INDEX

6003-097-150-04

PART CODE	FIG. KEY	PART CODE	FIG. KEY	PART CODE	FIG. KEY
J061-210-015-00	17 23	6209-044-001-00	20 28	6211-312-001-20	9 28
J062-062-067-00	21 6	6209-046-001-00	9 16		24 14
J062-076-082-00	21 5	6209-050-001-00	9 33	6211-312-002-20	9 37
V211-560-802-00	3 3	6209-050-002-00	9 34		24 15
	9 14	6209-056-001-00	20 7	6211-319-002-00	9 39
	17 19	6209-300-002-00	17 18	6211-321-001-10	9 48
	17 27	6209-350-010-00	21 2	6211-322-000-00	9 49
	22 3	6209-350-028-10	2 6	6211-340-001-30	8 1
V211-560-802-50	4 3	6209-409-001-00	9 19	6211-342-001-30	8 2
V341-120-008-00	9 20	6209-409-003-00	11 18	6211-351-010-10	7 1
V411-260-006-00	20 35	6209-490-002-00	2 4	6211-310-001-00	5 10
V500-110-600-20	9 46	6209-500-003-00	9 17A	6211-511-000-00	5 11
V500-110-600-40	20 12	6209-580-002-10	20 31	6211-511-004-00	5 12
V500-110-620-30	9 47	6209-587-001-00	13 4	6211-540-001-00	5 1
	20 11	6209-605-004-00	1 4	6211-560-001-00	6 3
V582-200-000-00	1 9	6209-610-001-00	5 3	6211-599-001-10	5 13
V704-140-016-00	11 16	6209-610-002-10	9 4		6 2
V705-140-012-00	9 32	6209-625-001-00	5 14		6 4
V705-140-040-00	9 41		24 10	6211-715-002-00	1 5
V710-140-004-00	9 24	6209-625-002-00	9 5	6211-721-001-00	1 5
	20 21		24 12	6211-721-002-00	1 7
	20 25	6209-630-002-10	23 6	6211-751-001-10	2 2
V720-101-900-30	20 30		24 22	6211-750-012-20	5 29
V720-102-401-50	16 9	6209-740-001-00	9 27	6211-777-001-20	10 1
	24 17	6209-749-001-10	5 15	6212-111-010-10	13 1
V720-102-401-80	7 3		9 42	6212-114-010-10	14 1
V723-102-004-20	9 40	6209-788-001-00	5 27	6212-116-010-10	14 3
	24 16	6209-840-004-00	11 15	6212-121-005-00	13 2
V723-102-005-50	17 31	6211-110-011-40	1 1	6212-124-005-00	14 2
	24 21	6211-141-007-30	1 10	6212-126-005-00	14 4
1373-121-001-00	22 4		24 3	6212-211-001-10	13 3
3525-301-002-00	7 2	6211-150-007-00	1 2	6212-230-003-00	13 5
3525-540-004-00	9 22	6211-170-004-10	2 1	6212-235-001-00	13 6
6209-000-002-00	11 19	6211-173-003-00	2 3	6212-261-006-00	13 8
6209-000-003-00	1 11		24 4	6212-264-006-00	6 5
6209-000-004-00	5 2	6211-210-014-20	5 1	6212-266-006-00	6 6
6209-000-004-10	5 2A	6211-258-001-00	5 8	6212-310-008-00	15 1
6209-000-013-00	15 7		24 8	6212-310-008-10	15 1A
6209-000-001-00	16 6	6211-258-002-00	5 9	6212-330-013-30	15 5
6209-000-005-00	9 8		24 9	6212-333-001-00	15 6
6209-000-005-00	9 7	6211-291-001-10	5 23	6212-371-014-20	15 8
	17 28	6211-292-001-20	5 24	6212-375-001-00	15 9
6209-000-041-00	18 4		24 11	6212-311-002-00	12 1
6209-000-043-00	20 15	6211-310-006-20	9 1	6212-321-002-00	15 3
6209-000-085-00	22 5	6211-311-004-20	9 36	6212-322-003-00	12 2

PART CODE	FIG. KEY	PART CODE	FIG. KEY	PART CODE	FIG. KEY
6212-523-033-00	12 6	6213-615-035-00	17 16	6215-410-135-10	19 3
6212-524-002-00	20 8	6213-621-003-00	17 6	6215-410-935-10	19 4
6212-533-004-00	9 45	6213-622-032-10	17 5	6215-410-057-00	19 5
6212-531-005-10	5 3	6213-631-032-00	17 3	6215-412-001-20	21 1
6212-535-001-00	12 4	6213-631-035-00	17 4	6215-520-001-00	20 15
6212-535-032-00	20 13	6213-641-034-00	18 2	6215-526-001-10	20 17
6212-551-031-00	11 1	6213-642-032-00	17 7	6215-531-035-00	20 26
6212-552-001-00	11 2	6213-660-036-00	18 1	6215-541-001-00	20 18
6212-561-001-00	11 3	6213-669-032-00	18 3	6215-541-002-10	20 23
6212-563-001-00	11 4	6213-671-033-00	18 5	6215-541-003-10	20 27
6212-565-001-00	11 5	6213-674-035-10	22 2	6215-542-001-10	9 23
6212-569-002-00	1 8	6213-711-033-20	17 23	6215-542-002-00	20 20
	24 2	6213-716-031-40	17 24	6215-543-001-10	20 19
6212-571-001-10	11 6	6213-721-031-30	5 22	6215-545-001-00	9 18
6212-575-001-00	11 7	6213-721-003-00	17 25	6215-549-001-10	5 25
6212-600-003-00	11 8	6213-729-001-00	17 22	6215-549-003-00	20 22
6212-611-004-10	11 9	6213-743-002-10	17 26	6215-549-007-00	20 33
6212-616-003-00	11 17		24 20	6215-549-007-10	20 33A
6212-620-001-10	11 10	6214-111-011-20	3 1	6215-549-005-00	20 37
6212-621-001-10	11 11	6214-115-001-20	3 2	6215-549-021-00	20 32
6212-626-001-10	11 12		24 6	6215-549-029-00	20 24
6212-628-001-00	11 13	6214-141-022-00	4 1	6215-560-088-00	20 1
6212-628-003-00	11 14	6214-145-001-30	4 2	6215-611-002-00	25 1
6213-103-003-20	16 1		24 7	6215-612-002-00	25 34
6213-111-001-20	16 2	6215-300-005-00	19 1	6215-519-012-30	26 35
6213-120-033-00	16 3	6215-311-005-00	25 1	6215-619-013-00	26 37
6213-126-001-00	16 4	6215-313-002-00	19 2	6215-619-014-00	26 38
6213-140-002-00	15 8	6215-330-037-00	25 2	6215-619-015-00	26 39
6213-149-001-00	15 10	6215-332-032-00	25 16	6215-619-016-00	26 40
6213-160-002-00	9 29	6215-333-032-00	25 15	6215-619-017-00	26 41
6213-161-001-00	9 30	6215-342-002-00	25 3	6215-621-006-10	20 8
6213-164-001-00	9 31	6215-343-002-00	25 4	6215-622-002-00	26 12
6213-240-002-00	16 15	6215-343-044-00	25 5	6215-629-017-00	26 13
6213-311-003-10	16 12	6215-345-045-00	25 6	6215-629-018-00	26 14
6213-319-001-00	9 2	6215-345-045-00	25 7	6215-629-020-00	26 18
6213-310-005-30	17 1	6215-345-047-00	25 8	6215-629-021-00	26 19
6213-311-000-20	17 2	6215-345-048-00	25 9	6215-629-022-00	26 20
6213-312-004-00	17 9	6215-345-049-00	25 10	6215-629-023-00	26 21
6213-313-002-10	17 8	6215-345-050-00	25 11	6215-629-024-00	26 22
6213-314-003-10	17 12	6215-345-051-00	25 12	6215-629-025-00	26 23
	24 18	6215-345-052-00	25 13	6215-629-026-00	26 24
6213-314-006-10	17 17	6215-345-053-00	25 14	6215-629-027-00	26 25
	24 19	6215-355-003-00	25 18	6215-629-028-00	26 26
6213-619-002-00	17 11	6215-359-003-00	25 17	6215-629-029-00	26 27
6213-619-003-00	17 10	6215-359-004-00	25 19	6215-629-030-00	26 28

6003-097-150-0A

PART CODE	FIG. KEY	PART CODE	FIG. KEY	PART CODE	FIG. KEY
6215-629-031-00	26 29	6281-216-001-00	28 18	6901-066-645-00	15 18
6215-629-032-00	26 30	6281-217-001-00	28 16	6901-910-012-00	5 25
6215-629-033-00	26 31	6281-221-001-00	28 4		7 4
6215-629-034-00	26 32	6281-222-004-00	28 1		12 5
6215-631-004-00	26 2	6281-225-002-00	28 2		20 14
6215-634-012-00	26 15	6281-229-003-00	28 3		23 7
6215-635-002-00	26 8	6281-229-004-00	28 6	6901-910-625-00	16 7
6215-635-003-00	26 36	6281-229-005-00	28 5	6901-910-816-00	8 4
6215-637-002-00	26 33	6281-229-006-00	28 8		16 11
6215-639-006-00	26 16	6281-229-007-00	28 9	6901-910-890-00	17 32
6215-639-007-00	26 17	6281-229-008-00	28 11	6901-910-835-00	9 11
6215-641-002-00	26 3	6281-229-009-00	28 10	6901-910-840-00	3 4
6215-643-003-00	26 4	6281-229-010-00	28 14		9 10
6215-644-003-00	26 6	6281-229-011-00	28 15	6901-910-845-00	9 15
6215-649-003-00	26 5	6281-225-012-00	28 19		9 44
6215-649-004-00	26 7	6281-229-013-00	28 20		17 13
6215-649-005-00	26 9	6281-229-014-00	28 21	6901-911-020-00	8 3
6215-649-006-00	26 10	6281-229-015-00	28 22		10 2
6215-649-007-00	26 11	6281-229-016-00	28 33	6901-911-025-00	22 8
6219-732-002-00	23 4	6281-229-017-00	28 24	6902-050-816-00	9 38
6219-752-001-00	20 2	6281-229-018-00	28 25	6904-110-818-00	5 19
6219-752-002-00	20 3	6281-271-002-00	28 26	6904-110-840-00	5 18
6219-752-003-00	20 4	6281-410-002-00	23 3	6908-000-716-00	12 3
6219-752-004-00	20 5	6281-910-001-00	23 5		20 10
6219-752-005-00	20 5	6281-920-001-00	23 8	6908-000-750-00	15 4
6281-100-003-00	22 7	6281-971-001-10	23 1	6908-160-408-00	16 5
6281-111-002-00	27 1	6281-810-004-10	24 1	6908-160-510-00	5 17
6281-115-004-00	27 11	6509-000-084-00	9 8	6908-160-816-00	5 16
6281-116-002-00	27 2		9 43	6908-161-018-00	15 2
6281-118-001-00	27 9	6509-000-037-00	9 9	6909-110-406-00	5 28
6281-121-003-00	27 3	6509-360-012-10	21 3		9 35
6281-124-001-00	27 5	6509-600-019-10	5 5		20 34
6281-129-006-00	27 17		9 3	6509-110-408-00	27 23
6281-129-007-00	27 7	6513-770-022-10	17 29	6509-110-410-00	22 6
6281-129-008-00	27 18	6515-419-014-00	21 4	6909-110-508-00	9 12
6281-129-009-00	27 19	6581-117-007-00	27 10		11 21
6281-129-010-00	27 4	6581-123-011-00	27 12		17 14
6281-129-011-00	27 5	6581-124-002-00	27 15		17 20
6281-129-019-00	27 21	6581-125-005-00	27 16	6909-111-406-00	20 29
6281-151-004-00	27 8	6581-125-009-00	27 13	6909-111-508-00	27 20
6281-200-016-00	22 1	6581-125-100-00	27 14	6909-150-505-00	25 36
6281-213-003-00	28 7	6582-450-014-00	23 2	6909-150-508-00	9 13
6281-214-003-00	28 12	6894-240-002-00	13 7		17 15
6281-214-004-00	28 13	6894-450-044-00	5 20		17 21
6281-215-001-00	28 17	6901-050-850-00	11 20		27 22

PART CODE	F G. KEY	PART CODE	FIG. KEY	PART CODE	FIG. KEY
6909-164-508 00	11 22				
6909-202-308-00	9 25				
6909-572-008-30	2 5				
	24 5				
6909-830-212 00	1 12				
6909-902-209 00	5 21				
6909-906-105-10	15 13				
6909-920-843 00	9 17				
	9 21				
	9 25				
	15 14				
	24 13				
6911-129-006-00	1 3				
6911-129-083-00	5 7				
6911 219-195-00	5 4				

## NUMERICAL INDEX

1631-097-100-00

PART CODE	FIG. KEY	PART CODE	FIG. KEY	PART CODE	FIG. KEY
J061-114-024-00	9 23 10 29 31 24 31 26 31 33	K211-012-011-00 K211-012-100-00 K250-034-000-00 V111-163-002-00	51 13 51 1 31 16 23 31 43 17	V210-383-001-00 V210-383-002-00	22 15 37 7 27 8 27 15 28 11
J061-209-011-00	5 17 5 20	V120-266-001-20	44 23 51 14	V211-200-801-20	28 17 37 9
J061-210-012-00	5 12 5 16 5 19	V120-266-002-50 V120-366-001-60	51 8 37 18 37 21	V211-200-801-60	5 3 6 11 9 16
J061-210-015-00	5 23 5 28 2 20	V120-376-002-00	43 12 44 18 37 29		10 17 13 5 14 5
J061-211-013-00	5 13 5 24	V201-260-833-50 V201-260-834-00	15 4 31 7		18 3 25 6
J061-232-040-00	2 12	V201-260-835-00	15 50		25 9
J061-238-046-00	2 13		23 42		29 25
J061-247-055-00	3 14 4 11	V201-260-806-00	13 15 14 15	V211-260-802-00	3 25 13 25
J062-081-087-00	5 29	V201-260-809-50	9 18		13 12
J062-104-111-00	9 30 10 31	V201-460-802-00	10 19 8 11		14 12 15 43
K130-003-000-00	31 1	V201-460-804-50	8 3		19 20
K130-003-003-00	31 3	V201-451-003-00	9 33		23 56
K130-003-004-00	31 6		10 34		23 61
K182-002-002-00	13 20 14 23	V203-451-002-00	1 3 6 20	V211-260-802-50	27 22 27 25 1 15
K182-002-003-00	13 21 14 21	V210-250-501-20	8 14 22 18		36 4 36 9
K182-002-001-00	13 22 14 22		23 7 29 4	V211-260-803-00	9 19 10 20
K182-002-002-00	13 24 14 24		30 4 37 33	V211-260-804-00	23 57 9 20
K182-002-003-00	13 25	V210-250-501-50	7 4		10 21
K211-004-007-00	14 25 51 7		22 12 29 24	V211-250-804-50	31 9 51 12
K211-012-000-00	13 14 14 14		31 14 41 10	V211-261-002-00	25 14 29 2
K211-012-003-00	51 2		42 12		30 2
K211-012-005-00	51 4	V210-260-002-00	13 13		31 22
K211-012-006-00	51 5		14 13	V211-261-002-50	19 7
K211-012-007-00	51 6		41 11		22 14
K211-012-008-00	51 10	V210-383-001-20	23 22		23 52
K211-012-009-00	51 3	V210-383-001-60	5 6		24 3

PART CODE	F	G.	KEY	PART CODE	FIG.	KEY	PART CODE	FIG.	KEY
V211-251-032-50	27	6		V304 250 008 00	35	13	V401-160-003 00	43	18
	28	8			37	36		44	24
V211-251-004-50	12	05		V304 250-010 00	2	25	V401-160 005-00	38	11
V211-360-801-50	13	9			7	7	V401-160-005-00	1	11
	14	9			12	67		15	26
	15	52			15	11		18	34
	27	10			15	31		19	3
	28	19			15	41		29	7
	38	8			15	55		44	11
V211-360-802-00	2	8		V304-450-008-00	8	12	V401-160-008-00	1	8
	2	18		V304-450-010-00	20	5		8	4
	3	11		V304-450-016-00	22	10		8	17
	4	8		V305-260-010-00	39	14		9	21
	6	7		V305 260 012 00	50	3		10	22
	29	17		V305-260-020 00	34	5		31	8
	30	17		V328-262-110-00	25	12		35	12
V211-361-032-00	6	19			26	23		37	57
V211 561 001 00	9	37			27	13	V401-160-010-00	1	4
	10	38			28	11		5	21
V211 561 032 00	3	3		V328-262-112-00	26	3		9	34
	9	30			26	23		10	35
	10	37			29	11		12	65
	23	8			30	19		17	5
	23	00		V334-260-010-00	26	18		20	6
V211-561-012-50	33	3		V334-450-010-00	23	12		22	21
	33	5			23	19		23	13
	33	8		V335 260-112-00	26	27		23	20
	33	11		V350-160-004-00	37	25		25	13
V211-561-003-00	33	9		V350 160 006 00	37	14	V401-160-012-00	26	30
V211-560-802 00	3	5		V350-260-006-00	5	7		29	21
V251-251-004-50	9	7			42	13		30	21
	10	7		V361-250-005 00	37	30	V401-160-016-00	22	9
V271-160-002-50	3	8		V361 260 008 00	6	12	V411-260-003-00	23	33
	4	7			13	16		43	19
V301-250-005-00	38	10			14	16		44	25
	1	10			18	8	V411-260-006-00	7	10
	6	5			23	35		44	10
	35	6			27	11	V411-260-008-00	15	22
	44	9			27	23		15	39
V304 250 008 00	1	7			27	25		15	39
	15	5			28	20		15	51
	15	52			38	7		11	56
	19	13		V353-260-110-00	2	24		11	9
	23	44			34	5		21	10
	23	46		V401 160 003 00	23	32		23	07

1631-097-100-00

PART CODE	FIG. KEY	PART CODE	FIG. KEY	PART CODE	FIG. KEY
V411-260-008-00	23 43 35 16 38 4 40 3 40 12	7500-163-002-00	15 8 15 14 15 19 15 58 16 3	V600-150-620-50 V653-430-403-00	32 8 9 7 9 9 10 7 10 10
V411-260-010-00	2 26 6 22 7 8 15 8 15 58		19 22 19 26 35 6 35 10 39 11	V654-418-221-60 V704-140-012-00 V704-140-018-00	23 67 23 15 21 3 21 6 23 17
	16 2 19 21 19 25 21 14 27 19	7500-163-002-50	13 28 14 28 15 47 21 15 23 25	V704-140-015-00 V704-140-017-00 V704-140-020-00 V704-140-025-00	23 40 17 9 18 5 12 60 11 3
V411-260-012-00	28 15 15 10 15 18 15 18 29 20		25 9 26 31 28 22 30 22 34 8	V705-140-020-00 V705-140-030-00 V705-140-035-00	22 6 8 10 12 14 12 64 23 10
V411-260-014-00	30 20 35 5 13 27 14 27 15 46	7500-163-003-00 7500-154-003-00	34 10 15 36 35 3 13 29 14 29	V705-140-040-00 V705-140-042-00	12 59 26 21 9 3 9 10 10 3
V411-260-018-00 V411-260-020-00	34 4 34 9 35 9 26 5 15 35	7580-140-401-00 7580-140-502-50 7580-140-503-20 7580-140-602-50 7600-110-500-40	12 61 23 69 25 6 15 2 23 93	V705-140-047-00	10 11 29 9 30 9 30 14 22 7
V500-162-501-50 V500-162-502-00	35 2 7 11 23 38 40 8 26 14	7600-110-500-50 7600-110-500-70 7600-110-520-40	23 71 30 12 11 7 23 72 11 9	V720-140-052-00 V705-140-040-00 V720-101-900-60 V720-102-401-50	29 14 12 58 29 31 51 9 23 3
V500-162-501-50	26 25 27 20 28 15 15 23 15 30	7500-110-620-50 7500-110-620-70 7500-110-630-40 7500-110-630-50	23 12 11 10 17 10 11 13 11 12	V720-102-401-60 V720-102-401-80	31 13 13 2 13 11 14 2 14 11
	15 40 15 57 19 10 21 11 35 17	7600-140-600-40 7600-140-620-40 7600-150-600-50 7600-150-620-20 7600-150-620-30	30 13 29 13 22 5 23 9 25 20	V720-102-402-20 V720-103-502-40 V720-103-502-50 V720-103-502-60	13 3 14 3 13 7 13 8 14 7

PART CODE	FIG. KEY	PART CODE	FIG. KEY	PART CODE	FIG. KEY
V720 103 503-00	14 8	1415-120-005-00	19 16	1564-512-001-00	27 2
V720 111 900 80	17 62	1415-120 020-00	29 30		28 2
V720-112 101 10	17 63		29 34	1564-654-313-00	42 4
V721-103-103-00	11 5	1415 125 021 00	23 45	1575 104 202 00	4 3
V721 103 104 50	5 15	1416-209-005-00	8 16	1575-620-009-00	43 2
	10 16	1416-000-057-00	38 9		44 2
	11 6	1424-101-203-00	2 17	1575-625-010-00	43 3
V721-103-105 50	51 11	1424-101-204-00	2 18		44 3
V723-102-004-00	31 11	1425-621 004-00	2 9	1581-521-290-00	43 11
V723-102-005-60	31 5		3 4		44 17
V740-130-420-80	9 5		31 31	1588-103-210-00	5 5
	9 12	1427 111 008 00	5 15	1593 101 003 00	1 6
	10 5		5 18	1593 101 009-10	1 12
	10 13	1427-130-260-00	22 17	1593-101-011-10	1 13
V742 120-420-60	26 10	1427-501-003-00	21 4	1593-101-012-00	1 14
	30 10	1427-621-062-10	5 2		15 49
V744-115-350-70	31 4	1427-621-012 00	27 7	1593 101 220 40	1 2
V744-120-350-70	9 14		25 7	1593-102-001-10	2 10
	10 15		35 2	1593 102 002 10	2 11
	23 55	1427-934-013-00	47 5	1593-102-003 20	2 14
V744-130-420-80	9 4	1427-941-016-00	43 5	1593 102-004-20	2 15
	9 11	1432-242-004-00	35 4	1593 102 005 30	2 6
	10 4	1435-201-220-00	13 6	1593-102-006-00	2 21
	10 12	1444-122-002-00	19 12	1593-102-009-10	2 23
V744-135-550-80	23 59	1444 001-015-00	41 14	1593 102-011 00	2 7
V760 150-000-00	19 2	1444 621 008-00	39 18	1593-102-012-00	2 22
	23 4	1444-621-311 00	41 6	1593-102-500-10	2 1
	26 11	1444 621 312 00	41 7	1593-102-502-00	2 2
V762-150-300 00	15 25	1444 207-011-00	29 8	1593-102-503-00	2 3
	15 33		30 8	1593-102-504-00	2 4
	25 12	1448-611-001-00	39 9	1593-102-505-00	2 5
V780-140-000-2T	31 17	1524-122-001-00	19 6	1593-103-054-00	3 2
V781-150 000 40	23 60	1527-604 002 00	40 17	1593-103-500-10	3 1
V999 200 003-00	20 3	1544 104 204-00	3 9	1593-104-004-00	3 13
	32 3		4 5		4 10
W201-251-205-00	50 3	1544-104-205-00	3 10	1593 104 500 00	3 6
1325 220 012 00	18 10		4 6	1593-104-502-00	3 7
1337-401 306-00	19 16	1550-104-010-40	2 16	1593 105 213 10	5 10
	23 47	1550 102-007-30	19 14	1593-112-002-50	5 5
1342-402-006-00	5 17	1550-654-253-00	43 13	1593 112 003 23	6 8
1370-121-001-00	26 24		44 19	1593 112 051 30	5 4
1376-635-005-00	39 16	1550-664-252-00	43 14	1593-112-200-10	6 1
1386 241 002 00	20 4		44 20	1593-112-232-00	6 9
	32 4	1550-664 253 00	43 15	1593-112 510-30	6 3
1415 120 000-00	16 4		44 21	1593-112-520-10	5 13



1031-097-100-0)

PART CODE	FIG. KEY	PART CODE	FIG. KEY	PART CODE	FIG. KEY
1593-117-031-40	7 3	1593-401-071-50	25 2	1593-411-613-10	32 2
1593-117-033-10	7 6	1593-402-051-10	25 10	1593-553-003-20	34 2
1593-117-230-20	7 1	1593-402-211-00	25 9	1593-553-007-20	34 7
1593-117-510-20	7 2	1593-402-511-40	25 13	1593-553-280-30	34 1
1593-122-051-00	8 1	1593-403-001-10	26 11	1593-553-550-10	34 6
1593-203-358-20	11 2	1593-403-003-10	26 10	1593-553-670-30	33 2
1593-304-008-00	17 3	1593-403-004-10	26 3		33 7
1593-304-051-20	17 1	1593-403-005-00	26 25	1593-555-011-00	36 1
1593-304-053-10	17 6	1593-403-007-20	26 22		36 5
1593-304-054-10	17 4	1593-403-008-00	26 4	1593-555-013-00	36 3
1593-304-055-10	17 7	1593-403-054-30	26 15		36 8
1593-304-057-10	17 8	1593-403-055-40	26 16	1593-601-309-00	37 10
1593-307-051-20	17 12	1593-403-500-80	26 1	1593-601-311-00	37 17
	17 16	1593-403-510-80	26 2	1593-601-312-00	37 19
1593-307-352-10	17 13	1593-405-304-00	27 14	1593-601-313-00	37 20
	17 17		28 10	1593-601-314-00	37 32
1593-307-353-10	17 14	1593-406-005-10	27 13	1593-601-354-00	37 35
	17 18		28 9	1593-601-061-40	37 34
1593-310-054-20	18 6	1593-406-006-00	27 17	1593-601-064-20	37 26
1593-310-520-20	18 4		28 13	1593-601-065-10	27 4
1593-310-540-00	18 8	1593-406-008-00	27 5		28 4
1593-312-056-20	18 13		28 5	1593-601-067-30	37 3
	19 27	1593-406-240-10	27 16	1593-601-389-00	27 3
1593-317-261-00	20 2		28 12		26 3
1593-317-510-00	20 1	1593-406-250-00	27 12	1593-601-371-00	37 4
1593-382-351-20	21 9		28 8	1593-601-072-00	37 6
1593-382-352-10	21 7	1593-403-500-30	28 1		37 11
1593-382-352-30	21 8	1593-407-002-30	29 6	1593-601-073-00	37 28
1593-382-520-30	21 1		30 6	1593-601-074-00	37 27
1593-383-500-30	21 12	1593-407-304-40	29 3	1593-601-300-00	37 32
1593-384-052-00	22 3		30 3	1593-601-524-10	37 23
1593-384-054-30	22 2	1593-407-005-00	29 7	1593-601-525-10	37 24
1593-384-355-00	22 4		30 7	1593-606-006-10	38 5
1593-384-356-00	22 1	1593-407-037-20	30 15		40 14
1593-384-300-20	22 11	1593-407-051-60	30 1	1593-611-001-00	39 13
1593-384-310-20	22 13	1593-407-200-40	30 5	1593-611-011-20	39 2
1593-385-058-00	22 19	1593-407-510-50	29 11	1593-611-013-00	39 10
1593-385-500-50	22 15		30 11	1593-611-014-00	39 15
1593-341-308-00	23 73	1593-407-520-40	29 16	1593-611-053-00	39 12
1593-341-309-00	23 74	1593-407-530-40	29 18	1593-611-200-50	39 8
1593-341-012-10	23 70		30 18	1593-612-003-00	40 2
1593-342-001-30	23 51	1593-411-301-10	32 6	1593-612-220-10	40 6
	24 2	1593-411-352-20	32 7	1593-612-230-00	40 9
1593-342-200-30	24 1	1593-411-053-20	32 8	1593-610-004-20	38 3
1593-401-337-30	25 2	1593-411-201-00	32 1		40 11

PART CODE	FIG. KEY		PART CODE	F. G. KEY		PART CODE	F. G. KEY	
1593-621-005-00	41	9	1600-532-023-00	46	5	1608-205-216-00	12	29
1593-621-250-00	41	4	1605-135-230-00	5	2	1608-205-217-00	12	30
1593-621-252-00	41	5	1603-105-241-00	5	1	1608-205-218-00	12	31
1593-621-510-00	41	2		5	23	1608-205-219-00	12	32
1593-622-004-00	42	7	1603-122-002-10	8	13	1608-205-221-00	12	33
1593-622-211-10	41	12	1603-122-003-00	8	5	1608-205-222-00	12	34
1593-622-240-00	42	3	1603-122-004-00	8	6	1608-205-223-00	12	35
1593-622-250-00	42	2	1603-122-200-50	8	0	1608-205-224-00	12	36
1593-622-270-00	42	5	1603-122-210-00	8	7	1608-205-225-00	12	37
1593-622-280-00	42	1	1603-122-220-00	8	8	1608-205-226-00	12	38
1593-623-001-00	6	17	1603-122-230-10	8	15	1608-205-227-00	12	39
	43	7	1603-201-001-40	9	1	1608-205-228-00	12	40
	44	13	1603-201-002-30	9	8	1608-205-229-00	12	41
1593-623-002-00	43	6		10	9	1608-205-231-00	12	42
	44	12	1603-201-004-20	9	13	1608-205-232-00	12	43
1593-623-003-00	48	8		10	14	1608-205-233-00	12	44
	44	14	1608-201-000-10	9	17	1608-205-234-00	12	45
1593-623-272-00	39	4		10	16	1608-205-235-00	12	46
1593-623-273-00	39	5	1608-201-006-20	9	25	1608-205-236-00	12	47
1593-623-280-00	39	3		10	27	1608-205-237-00	12	48
1593-623-503-00	43	4	1608-201-008-10	9	26	1608-205-238-00	12	49
	44	4		10	30	1608-205-239-00	12	50
1593-623-504-00	43	5	1608-201-011-20	9	35	1608-205-241-00	12	51
	44	6		10	36	1608-205-242-00	12	52
1593-623-520-00	23	29	1603-201-013-00	9	27	1608-205-243-00	12	53
	43	16		10	28	1608-205-244-00	12	54
	44	22	1603-201-200-20	9	24	1608-205-245-00	12	55
1593-623-610-00	44	7		10	25	1608-205-246-00	12	56
1593-630-210-00	42	10	1608-203-202-30	11	4	1608-205-247-00	12	57
1593-630-211-00	42	11	1603-203-200-00	11	1	1608-205-260-00	12	2
1593-901-230-00	42	9	1608-205-230-10	12	1	1608-205-263-00	12	3
1593-901-015-00	45	8	1603-205-201-00	12	15	1608-205-264-00	12	4
	45	19	1603-205-202-00	12	16	1608-205-265-00	12	5
1593-901-019-00	45	4	1603-205-203-00	12	17	1608-205-266-00	12	6
	46	14	1603-205-204-00	12	18	1608-205-267-00	12	7
1593-904-001-00	46	1	1603-205-205-00	12	19	1608-205-268-00	12	8
1593-904-012-00	46	3	1603-205-206-10	12	20	1608-205-269-00	12	9
1593-905-001-00	47	1	1603-205-207-00	12	21	1608-205-280-00	12	10
1593-905-012-00	47	3	1603-205-208-00	12	22	1608-205-283-00	12	11
1593-906-001-00	48	1	1603-205-209-00	12	23	1608-205-284-00	12	12
1593-906-012-00	48	3	1603-205-211-00	12	24	1608-205-285-00	12	13
1600-112-231-00	6	15	1603-205-212-00	12	25	1608-206-001-00	13	4
1600-112-232-00	6	10	1603-205-213-00	12	26		14	4
	6	16	1603-205-214-00	12	27	1608-206-002-00	13	26
1600-505-007-00	7	9	1603-205-215-00	12	28		14	26

163L-097-100-00

PART CODE	FIG. KEY	PART CODE	FIG. KEY	PART CODE	FIG. KEY
1608-203-004-00	13 30	1608-312-210-20	19 5	1608-901-003-10	45 18
	14 30	1608-312-220-00	19 17	1608-904-002-00	46 2
1608-203-005-00	13 32	1608-313-200-10	19 23	1608-904-005-00	46 4
	14 32	1608-341-001-20	23 5	1608-905-002-00	47 2
1608-203-200-00	13 1	1608-341-003-20	23 11	1608-905-005-00	47 4
	14 1	1608-341-006-10	23 18	1608-906-002-00	48 2
1608-206-210-00	13 10	1608-341-008-00	23 23	1608-906-005-00	48 4
	14 10	1608-341-012-00	23 58	1614-104-202-00	4 4
1608-206-240-00	13 18	1608-341-013-00	23 54	1614-922-200-10	50 1
	14 18	1608-341-014-10	23 65	1631-101-210-00	1 1
	13 19	1608-341-015-00	23 66	1631-104-001-00	3 12
1608-206-241-00	14 19	1608-341-016-00	23 68		4 9
1608-207-003-00	15 37	1608-341-021-10	23 41	1631-104-200-00	4 1
1608-207-004-10	15 28	1608-341-023-00	23 36	1631-104-202-00	4 2
	15 38	1608-341-025-10	23 48	1631-105-201-10	5 9
1608-207-005-10	15 53	1608-341-026-00	23 6	1631-105-202-00	5 8
1608-207-007-10	15 54	1608-341-027-00	23 54	1631-201-001-00	10 1
1608-207-008-00	15 60	1608-341-200-00	23 53	1631-203-001-00	11 8
1608-207-009-00	15 61	1608-341-210-30	23 2	1631-203-200-00	11 11
1608-207-011-00	15 7	1608-341-220-20	23 14	1631-206-200-00	14 6
1608-207-012-00	15 17	1608-341-230-20	23 24	1631-401-200-50	25 1
1608-207-014-00	15 44	1608-341-240-30	23 28	1631-401-300-00	25 5
1608-207-200-00	15 1	1608-341-260-30	23 39	1631-401-310-00	25 7
1608-207-210-20	15 6	1608-341-270-00	23 27	1631-403-001-20	25 25
1608-207-220-20	15 12	1608-341-300-40	23 1	1631-403-200-00	25 19
1608-207-230-00	15 16	1608-341-310-30	23 62	1631-406-200-50	27 1
1608-207-240-20	15 24	1608-341-320-10	23 70	1631-406-220-00	27 21
1608-207-250-20	15 32	1608-341-330-00	23 21	1631-406-230-00	27 24
1608-207-260-20	15 42	1608-553-200-00	33 1	1631-407-001-00	29 23
1608-207-270-10	15 45		33 6	1631-407-002-00	29 32
1608-207-280-10	15 21	1608-553-210-00	33 4	1631-407-003-00	29 33
1608-207-290-00	15 48		33 10	1631-407-004-00	29 27
1608-207-310-00	15 27	1608-554-001-00	35 11	1631-407-201-10	29 1
1608-208-200-00	16 1	1608-554-002-00	35 15	1631-407-202-00	29 5
1608-300-001-00	17 2	1608-554-200-10	35 1	1631-407-203-10	29 15
1608-305-200-20	17 11	1608-554-210-10	35 4	1631-407-210-10	29 16
1608-305-210-20	17 15	1608-554-500-20	35 7	1631-407-220-10	29 29
1608-310-001-30	18 7	1608-600-200-00	38 1	1631-407-300-00	29 26
1608-310-002-00	18 2	1608-616-001-10	40 19	1631-408-001-10	31 19
1608-310-200-10	18 1	1608-618-002-20	40 16	1631-408-002-00	31 25
1608-312-002-10	19 8	1608-616-200-20	40 10	1631-408-003-00	31 18
1608-312-003-00	19 11	1608-621-200-00	41 1	1631-408-210-00	31 21
1608-312-005-00	19 4	1608-623-200-00	43 1	1631-555-001-00	35 2
1608-312-006-20	19 19	1608-623-210-00	44 1		35 5
1608-312-200-00	19 1	1608-901-003-10	45 7	1631-605-002-00	35 7

PART CODE	FIG. KEY	PART CODE	FIG. KEY	PART CODE	FIG. KEY
1631-601-001-10	37 13	3543 350-001-00	31 23	3737-112-005-00	9 6
1631 601 004 10	37 2	3560-201-010-00	40 4		10 6
1631-601-005-00	37 15	3509-201-013-00	19 24	3737-122-001-00	23 16
1631-601-006-00	37 15	3510-601-002-00	37 8	3737-172-009-00	37 31
1501-501-230-10	37 1	3514 201-002-00	41 8	3737 172 010 00	5 25
1631-611-210-20	39 1	3621 702 003 00	26 7		31 35
1631-612-001-10	40 1	3623-820-013-00	25 4		42 8
1631-901-008-00	41 1	3625-212-007-00	26 17		43 9
	45 11	3526-276-003-00	6 18		44 10
1631-901-009-00	41 2	3531-221-001-00	1 9	3737-172-011-00	1 5
	45 12	3531-270-003-00	42 6		27 6
1631-901-011-00	45 3	3531-350 201 10	31 15		28 18
	45 13	3531-353-001-10	9 32	3745-111-011-00	22 8
1631-901-012-00	45 15		10 8	3745-185-014-10	29 28
1531-910-002-00	45 2		10 33		43 10
1631-913-004-00	49 4	3631-353-002-10	13 31		44 16
1631 910 006 00	49 6		14 31	3768 185 022 10	13 20
1631 910 008 00	49 1	3631-671-003 00	15 23		14 20
1631 910-009-00	49 3	3640-350-006-10	31 10		31 20
1538-901 008 00	45 6	3643-586-001-00	5 27	3008 170 023 00	38 6
	45 17	3648-703-001-00	21 5		40 13
1630-901-015-00	45 9	3650-261-261-00	44 8	4105-105-003-00	7 5
	45 20	3650-262-202-00	44 5		21 13
1640-903-013 00	47 5	3550-270-214-00	41 3		23 34
1640-903-016-00	47 7	3652 261-202-00	6 14	4301-210-002-00	37 12
1640 903-008-00	46 5	3656 115-001-00	15 15		41 13
1640-903-035-00	48 7	3656-221-001-10	35 8	4319-911-001-00	45 22
1640 904 013 00	48 3	3558 310 004 00	5 26	6213-200-002-10	5 1
1640 904 016 00	48 7	3551 212 001 00	16 5	6219-755-001-00	5 4
1640 905-013-00	49 5		31 27	7955-201-026-00	9 23
1640 905 010 00	49 7		31 30		10 24
2111-101-011-00	9 31		31 34	8592-011-204-00	8 9
	10 32		37 5	8595-901-006-00	45 10
2137 223-004-00	9 22	3564-276-001-00	23 30		45 21
	10 23		43 30		
2144-117-002-00	39 17		44 30		
2144 409-010-10	31 12	3654-351-306-00	13 17		
2157-410-001-00	31 32		14 17		
2504-901 027 00	45 5	3656 202-005-00	9 28		
	45 16	3667 354-220-10	13 33		
2502-105-002 00	9 21		14 33		
2502-407-001-10	21 2	3667-354-240-00	13 34		
2700-501-003 00	40 7		14 34		
2700 501-004-00	40 6	3670-375-220-00	31 29		
3517-205-007-00	23 25	3728-552-008-00	23 45		

DESCRIPTION	REF. NO	DESCRIPTION	REF. NO	DESCRIPTION	REF. NO	DESCRIPTION	REF. NO	DESCRIPTION	REF. NO	DESCRIPTION	REF. NO
ADAPTER (FILTER/B)	13	BEARING, RR/TA3030Z	9	BOLT (SP) M8X20	4	BOLT/5/16X32	8	BOLT (SP) M8X16	2	BOLT/5/16X32	28
ADAPTER (HIGH PRESS)	14		30		2		9		9		27
ADAPTER (LOW PRESS)	13		31		9		10		10		3
	14		31		10		10		10		5
	0		32		10		10		10		6
	10		8		23		23		23		39
	10		33		71		71		71		6
ADAPTER (STRAIGHT)	0	BEARING, RD/6004S	30	BOLT/M 8X20	37	BOLT/M 8X20	37	BOLT/M 8X20	37	BOLT/M 8X20	8
ADAPTER (90°) ORIFICE	10	BEARING, RB/6005	11	BOLT/M 8X35	15	BOLT/M 8X35	15	BOLT/M 8X40	15	BOLT/M 8X40	9
	13	BEARING, RB/6005SS	22	BOLT/M 8X50	31	BOLT/M 8X50	31	BOLT/M 8X50	31	BOLT/M 8X50	10
	14	BEARING, RB/6007	23		72		72		72		20
ADAPTER (90°) (PUMP)	15	BEARING, RD/6202S	23		23		23		23		21
	14	BEARING, RB/6203SS	26	BOLT/M 8X60	42	BOLT/M 8X60	42		42		18
	31	BEARING, RB/6204	11		13		13		13		23
ADAPTER/4S'	21	BEARING, RR/6204RS	20	BOLT/M 8X95	14	BOLT/M 8X95	14		14		22
ARM (40)	23	BEARING, RR/6204RS	29	BOLT/M 8X95	0	BOLT/M 8X95	0		0		57
ARM (BEAKE)	18	BEARING, RB/6205	11	BOLT/M 8X28	6	BOLT/M 8X28	6		6		14
ARM (HOOR)	15	BEARING, RB/6205SS	32	BOLT/M 8X32	9	BOLT/M 8X32	9		9		25
ARM (HST/PT)	15	BEARING, RB/6207	17	BOLT/M 10X1.25X20	6	BOLT/M 10X1.25X20	6		6		14
ARM (HST/REVERSE)	15	BEARING, RB/6304	11	BOLT/M 10X1.25X25	17	BOLT/M 10X1.25X25	17		17		23
ARM (LIFT)	35	BEARING, RB/6305	29	BOLT/M 10X20	4	BOLT/M 10X20	4		4		31
ARM (PEDAL)	19	BEARING, RB/7004	30		9		9		9		22
ARM/BRAKE	19		29		36		36		36		33
ARM/CONTROL	35		29		10		10		10		7
ARM/DRAW	20		30		37		37		37		4
	30	BELT/VH038	22	BOLT/M 10X25	23	BOLT/M 10X25	23		23		22
ARM/KNUCKLE/LH	37	BELT/VG-31	23		20		20		20		12
ARM/KNUCKLE/RH	26	BLACKET/ENGINE/LH	1		33		33		33		24
ARM/KNUCKLE/RE	26	BOLT	8		50		50		50		31
ARM/PTMAN	26		13		3		3		3		41
ARM/PTO	21		13		5		5		5		10
ARM/PTO ASSY	21		19		8		8		8		12
ARM, FRONT COMP	23	BOLT (S)/M10X35	14	BOLT (S)/M10X30	11	BOLT (S)/M10X30	11		11		15
AXLE/FRONT	25	BOLT (S)/M10X16	12		33		33		33		62
BALL BEARING	12	BOLT (CONNECTER)/PF1/2	37		9		9		9		27
	12		41		34		34		34		10
BAND	43	BOLT (S) M10X25	14	BOLT/M12X60	50	BOLT/M12X60	50		50		28
	44	BOLT (S) M10X25	19	BOLT/M6X25	2	BOLT/M6X25	2		2		38
BAND, HARNESS	5		22		8		8		8		8
	31	BOLT (S) M8X45	22	BOLT/M8X45	4	BOLT/M8X45	4		4		9
	42	BOLT (S)7	23	BOLT/E	1	BOLT/E	1		1		25
	43		24		36		36		36		13
	44		27		6		6		6		14
	29	BOLT (S) M8X45	28	BOLT/SP	27	BOLT/SP	27		27		13
BAND, WIRE/250	43		51		12		12		12		13
BAR/PTO	22	BOLT (S)7	9		37		37		37		13
BATTERY/38B20L ASSY	6	BOLT (SP) M8X20	10	BOLT (S) M8X45	38	BOLT (S) M8X45	38		38		14
	22		2		2		2		2		14
	6		3		11		11		11		13
			1		1		1		1		12
			1		1		1		1		13
			1		1		1		1		14
			1		1		1		1		15
			1		1		1		1		16
			1		1		1		1		17
			1		1		1		1		18
			1		1		1		1		19
			1		1		1		1		20
			1		1		1		1		21
			1		1		1		1		22
			1		1		1		1		23
			1		1		1		1		24
			1		1		1		1		25
			1		1		1		1		26
			1		1		1		1		27
			1		1		1		1		28
			1		1		1		1		29
			1		1		1		1		30
			1		1		1		1		31
			1		1		1		1		32
			1		1		1		1		33
			1		1		1		1		34
			1		1		1		1		35
			1		1		1		1		36
			1		1		1		1		37
			1		1		1		1		38
			1		1		1		1		39
			1		1		1		1		40
			1		1		1		1		41
			1		1		1		1		42
			1		1		1		1		43
			1		1		1		1		44
			1		1		1		1		45
			1		1		1		1		46
			1		1		1		1		47
			1		1		1		1		48
			1		1		1		1		49
			1		1		1		1		50
			1		1		1		1		51
			1		1		1		1		52
			1		1		1		1		53
			1		1		1		1		54
			1		1		1		1		55
			1		1		1		1		56
			1		1		1		1		57
			1		1		1		1		58
			1		1		1		1		59
			1		1		1		1		60
			1		1		1		1		61
			1		1		1		1		62
			1		1		1		1		63
			1		1		1		1		64
			1		1		1		1		65
			1		1		1		1		66
			1		1		1		1		67
			1		1		1		1		68
			1		1		1		1		69
			1		1		1		1		70
			1		1		1		1		71
			1		1		1		1		72
			1		1		1		1		73
			1		1		1		1		74
			1		1		1		1		75
			1		1		1		1		76
			1		1		1		1		77
			1		1		1		1		78
			1		1		1		1		79
			1		1		1		1		80
			1		1		1		1		81
			1		1		1		1		82
			1		1		1		1		83
			1		1		1		1		84
			1		1		1		1		85
			1		1		1		1		86
			1		1		1		1		87
			1		1		1		1		88
			1		1		1		1		89
			1		1		1		1		90
			1		1		1		1		91
			1		1		1		1		92
			1		1		1		1		93
			1		1		1		1		94
			1		1		1		1		95
			1		1		1		1		96
			1		1		1		1		97
			1		1		1		1		98
			1		1		1		1		99
			1		1		1		1		100

DESCRIPTION	REF. NO	DESCRIPTION	REF. NO	DESCRIPTION	REF. NO	DESCRIPTION	REF. NO
BOLT, SECS (S) HX16	5	CASE	12	COLLAR(21X35X02)	23	DRIVESCREW	12
	6	CASE (PTO/FRONT)	15	COLLAR/17X27X02	51	DRUM, BRAKE	16
	9	CASE (PTO/RAER)	23	COLLAR/18X30X05	23	DUST/SEAL	13
	10	CASE/POWERSTHERING	29	COLLAR/21X25X04	29		14
	13	CASE/STEERING	29	COLLAR/21X25X08	30	ELEMENT	3
	14		30	COLLAR/25X35X02	11	ELEMENT, PAPER	7
	16	CASE/TRANSMISSION IM	9	COLLAR/26X32X41	22	FAN(HST)	4
	25	CASE/TRANSMISSION RH	9	COLLAR/26X32X53	32	FENDER	8
	25		10	COLLAR/26X35X03	32	COMP	38
	29	CASE/TRANSMISSION LH	10		17	ASSY	13
	12	CASE, O/H+	17	COLLAR/31X38X06	17	FILTER	14
BONDED SEAL	44	CHARGE PUMP	12	COLLAR/31X41X03	17	FILTER/SUCTION/HST	14
BOOT	39	CHASSIS	25		17	FILTER, FUEL	5
	43	CLAMP	25	COLLAR/WHEEL THRUST	17	FILTER, SUCTION (HST)	13
	44		39		17	FLANGE/CONTROL	20
BRACKET, ENGINE/RH	1	CLAMP/WIRE/09-11	5		17	COMP	16
BRACKET, PTO/F	22		5	COVER (BELT)	23		12
BREATHER, TANK CAP	40	CLAMP/WIRE/10-15	2	COVER (BRAGE)	18		40
BULB	20	CLAMP/WIRE/11-13	5	COVER/BOODY	51	GASKET, MUFFLER	3
	20	CLAMP/WIRE/10-12	5	COVER/COUPLING	36	GAUGE, FUEL	40
	32		5	COVER/FRONT/C	36	GEAR (HELICAL/172)	29
	41		5	COVER/FRONT/LH	41		30
BULB, LAMP/12V21W	42	CLAMP/WIRE/32-40	2	COVER/FRONT/MESH	23	GEAR (T16)	23
BUSH	12	CLAMP/WIRE/38-46	2	COVER/FRONT/RR	37	GEAR/SPUR/12-37	11
BUSH(12X14K20)	23	CLAMP/WIRE/47-55	3	COVER/FRONT/RR	37	GEAR/SPUR/18	11
BUSH/10X12X10	27		4	COVER/GPFI	31	GRIP, BRAKE	19
	28		2	COVER/LOWER	31	GRONMET	6
BUSH/15X17X11	21	CLAMP, HARNESS	1	COVER/REAR	37		27
BUSH/15X17X16	35		2	COVER/SIDE/LH	25		28
BUSH/22X40X37	99		2	COVER/SIDE/RR	37		38
BUSH/25X28X25	25	CLAMP, MAIN HARNESS	37	COVER/SPHOL	51		43
BUSH, COLUMN	27	CLAMP, AIR ASSY	4	COVER/SWITCH	42	GRONHET/10X30X5	38
	28	CLEANER, AIR ASSY	3	COVER/U	36		40
	28	CLIP (B)	40	COVER/4X10	26	GRONHET/150	43
CABLE	6	CLIP/HOSE/10.4-11.1	17	COVER/F/PTO	22		44
CABLE/ACCELERATOR	7	CLIP/HOSE/8.1-8.7	9	CUSHION, PEDAL/HUBBER	1	GUIDE/LH ENGINE	1
CABLE/PTD	21	CLIP/HOSE/10.4-11.1	10	CYLINDER ASSY	13	GUIDE/RR ENGINE	1
CABLE, BARTH	6	CLAMP, WIRE	6	CYLINDER LOCK	14	HANGER, SUPPORT	37
CABLE, WTR	6	CLAMP, WIRE	12	BIODE/3.9A	12	HARNES/GENERATOR	44
CAP	2	CLAMP, WIRE	14		44	HARNES/WAIN ASSY	43
CAP/WHEEL	41		24				
CAP, BATTERY	82		28				
CAP, FUSE BOX	43		31				
CAP, SHAFT (A) COMP	22		31				
CAP, TANK	40		31				
CAP, TIRE VALVE	20		33				
	32		5				
	13		25				
	14		17				

DESCRIPTION	REF. NO	DESCRIPTION	REF. NO	DESCRIPTION	REF. NO	DESCRIPTION	REF. NO	DESCRIPTION	REF. NO
HARNESS/MAIN/S ASSY	44	JOINT-TYPE	5	LAMP/HEAD	27	LAMP/HEAD	27	LAMP/HEAD	27
HIGH/REAR SET	24	JOURNAL KIT	8	LAMP/HEAD ASSY	42	LAMP/HEAD ASSY	42	LAMP/HEAD ASSY	42
HOLDER(FUEL FILTER)	5	KEY ASSY	41	LAMP/MONITOR	41	LAMP/MONITOR	41	LAMP/MONITOR	41
HOLDER/SWITCH	39	KNOB	7	LEAD	42	LEAD	42	LEAD	42
HOLDER/BATTERY	6	LENS	27	LEVER (PTO)	41	LEVER (PTO)	41	LEVER (PTO)	41
HOOD/A COMP	37	LENS	23	LEVER (HST LIFT)	23	LEVER (HST LIFT)	23	LEVER (HST LIFT)	23
HOOD/M	37	KNOB, SET/12	25	LEVER (HST LIFT) COMP	35	LEVER (HST LIFT) COMP	35	LEVER (HST LIFT) COMP	35
HOOK, RADIATOR PANEL	2	KNOR	31	LEVER/UNLOAD	16	LEVER/UNLOAD	16	LEVER/UNLOAD	16
HOSE ASSY	13	LABEL (LIFT)	45	LEVER, AXLE	7	LEVER, AXLE	7	LEVER, AXLE	7
	14	LABEL (LIFT)	45	LEVER, PTO	18	LEVER, PTO	18	LEVER, PTO	18
HOSE/HYDRAULIC/350	13	LABEL (FUZE/D)	46	LIFT/270	33	LIFT/270	33	LIFT/270	33
	14	LABEL (FUZE/E)	48	LINK	33	LINK	33	LINK	33
HOSH/INLET	3	LABEL (FUZE/F)	47	LINK	34	LINK	34	LINK	34
	4	LABEL/CAUTION/A	49	LINK/A	34	LINK/A	34	LINK/A	34
	31	LABEL/GRF	45	LINK, FUSIBLE	6	LINK, FUSIBLE	6	LINK, FUSIBLE	6
HOSE/RETURN	5	LABEL/D/BATTERY/T	49	LOCK (NEUTRAL)	14	LOCK (NEUTRAL)	14	LOCK (NEUTRAL)	14
HOSE/07A13X120	5	LABEL/FUEL/I	49	MARK, FUEL	8	MARK, FUEL	8	MARK, FUEL	8
HOSE/1220	5	LABEL/FUZE/I	49	MARK, FUEL/FR	15	MARK, FUEL	15	MARK, FUEL	15
HOSE/14X22X150	31	LABEL/MAINTENANCE	45	MAT (L/H)	12	MAT (L/H)	12	MAT (L/H)	12
HOSE/14X22X450	31	LABEL/NOISE/LPA/90	45	MAT (RH)	17	MAT (RH)	17	MAT (RH)	17
HOSE/1800	5	LABEL/OPERATION/D	48	METAL/PPTO	40	METAL/PPTO	40	METAL/PPTO	40
HOSE/210	2	LABEL/OPERATION/E	48	METAL, BRAKE	23	METAL, BRAKE	23	METAL, BRAKE	23
HOSE/270	2	LABEL/OPERATION/F	47	METAL, LIFTARM	9	METAL, LIFTARM	9	METAL, LIFTARM	9
HOSE/270 ASSY	5	LABEL/OPERATION/I	49	METAL, LIFTARM COMP	10	METAL, LIFTARM COMP	10	METAL, LIFTARM COMP	10
	5	LABEL/PARKING/D	46	METAL, LIFTARM/R COMP	33	METAL, LIFTARM/R COMP	33	METAL, LIFTARM/R COMP	33
HOSE/320	9	LABEL/PARKING/E	48	METER/HOUR	42	METER/HOUR	42	METER/HOUR	42
	10	LABEL/PARKING/F	47	METER, HOUR ASSY	42	METER, HOUR ASSY	42	METER, HOUR ASSY	42
HOSE/350	5	LABEL/PARKING/I	49	MUFFLER	3	MUFFLER	3	MUFFLER	3
HOSE/360	9	LABEL/PTO	23	NEEDLE (GAGE)	23	NEEDLE (GAGE)	23	NEEDLE (GAGE)	23
	10	LABEL/SW/HEAD LAMP	42	NEEDLE BEARING	67	NEEDLE BEARING	67	NEEDLE BEARING	67
HOSE/700	31	LABEL/W/RADIATOR	46	NET/100X388	13	NET/100X388	13	NET/100X388	13
HOSE, RADIATOR/LW	2	LABEL/W/RADIATOR/T	48	NET, LOWER COVER/LH	37	NET, LOWER COVER/LH	37	NET, LOWER COVER/LH	37
HOSE, RADIATOR/VP	2	LABEL/WARNING/BELT	45	NET, LOWER COVER/RH	37	NET, LOWER COVER/RH	37	NET, LOWER COVER/RH	37
HOSE, VIEWL	2	LABEL/WARNING/SLOPE	45	NIPPLE, GREASE	19	NIPPLE, GREASE	19	NIPPLE, GREASE	19
HST	12	LABEL, CAUTION/D	46	NIPPLE, GREASE/B-NOF	25	NIPPLE, GREASE/B-NOF	25	NIPPLE, GREASE/B-NOF	25
HUB, PTO FRONT	25	LABEL, CAUTION/E	46	NUT/M12	67	NUT/M12	67	NUT/M12	67
HUB, SPAL/INPUT	11	LABEL, CAUTION/F	47	NUT/M16	26	NUT/M16	26	NUT/M16	26
HUB, STEERING COLUMN	27	LABEL, FUEL/D	46	NUT/M20	50	NUT/M20	50	NUT/M20	50
	28			NUT/M6	25	NUT/M6	25	NUT/M6	25
INSULATOR	1			NUT/M8	12	NUT/M8	12	NUT/M8	12
INSULATOR/10X30X03	40								
INSULATOR/22	25								
JOINT UNIVERSAL ASSY	8								
JOINT/HST/F COMP	8								
JOINT/HST/R COMP	8								
JOINT, BALL	26								
JOINT, BALL/LH	26								
JOINT, BALL/RH	26								
JOINT, CAP LING	8								

DESCRIPTION	REF. NO	DESCRIPTION	REF. NO	DESCRIPTION	REF. NO	DESCRIPTION	REF. NO	DESCRIPTION	REF. NO
NUT/M8	19	ORNAMENT/RH	45	PIN,SPLIT/2.5X20	12	PLATE(HOOK) COMP	16	PLATE(L/20X122)	15
NUT/WASHER	39	ORNAMENT/L73	45	PIN,SPLIT/3 X15	3	PLATE(L/20X122)	16	PLATE(L/16X101)	16
NUT, LOCK/M8	34	PACKING	45		13	PLATE(L/22X100)	23	PLATE(L/22X100)	23
	6		2		18		15		15
	13		3		9		15		15
	16		4		2		19		19
	14		4		4		21		21
	18		4		4		35		35
	23		4		5		17		17
	27		19		6		15		15
	27		18		44		14		14
	27		27		26		15		15
	28		28		13		15		15
	20		28		17		19		19
	38		41		1		50		50
NUT, RING/M20X1.0	41	PANEL/INSTRUMENT SET	41	PIN,SPLIT/3 X20	6	PLATE/I/19X85 COMP	5	PLATE/I/19X85 COMP	5
NUT, SPEED/P4	37	PANEL/INSTRUMENT	41		9	PLATE/IRX13X35	3	PLATE/IRX13X35	3
NUT, SPEED/P6	37	PANEL/RADIATOR	2		21		22		22
O-RING	12	PEDAL (HST)	15		42		26		26
	12	PIN	12		5		10		10
	12		12		11		11		11
	31		12		29		28		28
	11		12		48		28		28
	11		35		15		47		47
	9		17		3		28		28
	10		15		60		15		15
	11		18		26		26		26
	11		13		26		26		26
	51		14		26		31		31
	51		23		66		22		22
	23		15		6		22		22
	31		12		61		34		34
	13		12		10		34		34
	13		39		2		15		15
	13		34		2		36		36
	14		34		7		3		3
	14		18		6		13		13
	13		38		5		29		29
	14		40		14		14		14
	13		17		8		29		29
	13		9		6		26		26
	14		10		6		15		15
	14		23		74		17		17
	12		29		30		13		13
	12		29		34		14		14
	12		38		5		13		13
	12		40		13		14		14
	12		40		11		21		21
	12		40		11		22		22
	45		7		11		31		31
	45		23		38		13		13
	45		40		5		14		14
	45		26		14		12		12
	45		26		25		51		51
	45		27		20		10		10



DESCRIPTION	REF. NO	DESCRIPTION	REF. NO	DESCRIPTION	REF. NO	DESCRIPTION	REF. NO	DESCRIPTION	REF. NO
POST/STEERING ASSY	27	RING, SNAP/47 C	10	SEAL, OIL	3	SEAL, OIL/TC15257	31	SPRING, HC136	9
PROTECTOR	28	RING, SNAP/47 C	10	SEAL, OIL/TC15257	31	SEAL, OIL/TC20357	9	SPRING, HE085	10
PROTECTOR/250	5	RING, SNAP/47 C	10	SEAL, OIL/TC15257	31	SEAL, OIL/TC20357	10	SPRING, HE085	10
PROTECTOR, FRONT	5	RING, SNAP/47 C	10	SEAL, OIL/TC15257	31	SEAL, OIL/TC20357	12	SPRING, HE085	12
PTO/REAR	2	RING, SNAP/47 C	10	SEAL, OIL/TC15257	31	SEAL, OIL/TC20357	12	SPRING, HE085	12
PULLEY(VC135)	23	RING, SNAP/47 C	10	SEAL, OIL/TC15257	31	SEAL, OIL/TC20357	12	SPRING, HE085	12
PULLEY/T180K47	21	RING, SNAP/47 C	10	SEAL, OIL/TC15257	31	SEAL, OIL/TC20357	12	SPRING, HE085	12
PULLEY/VCI00	23	RING, SNAP/47 C	10	SEAL, OIL/TC15257	31	SEAL, OIL/TC20357	12	SPRING, HE085	12
PULLEY, TENSION	23	RING, SNAP/47 C	10	SEAL, OIL/TC15257	31	SEAL, OIL/TC20357	12	SPRING, HE085	12
PULLEY/V2B106	22	RING, SNAP/47 C	10	SEAL, OIL/TC15257	31	SEAL, OIL/TC20357	12	SPRING, HE085	12
PULLEY/V2B173	22	RING, SNAP/47 C	10	SEAL, OIL/TC15257	31	SEAL, OIL/TC20357	12	SPRING, HE085	12
PUMP/BEAR	31	RING, SNAP/47 C	10	SEAL, OIL/TC15257	31	SEAL, OIL/TC20357	12	SPRING, HE085	12
PUMP/BEAR	31	RING, SNAP/47 C	10	SEAL, OIL/TC15257	31	SEAL, OIL/TC20357	12	SPRING, HE085	12
PUMP, FUEL	5	RING, SNAP/47 C	10	SEAL, OIL/TC15257	31	SEAL, OIL/TC20357	12	SPRING, HE085	12
RADIATOR ASSY	2	RING, SNAP/47 C	10	SEAL, OIL/TC15257	31	SEAL, OIL/TC20357	12	SPRING, HE085	12
REFLECTOR ASSY	36	RING, SNAP/47 C	10	SEAL, OIL/TC15257	31	SEAL, OIL/TC20357	12	SPRING, HE085	12
RELAY/4P	43	RING, SNAP/47 C	10	SEAL, OIL/TC15257	31	SEAL, OIL/TC20357	12	SPRING, HE085	12
RETAINERHOLDER	44	RING, SNAP/47 C	10	SEAL, OIL/TC15257	31	SEAL, OIL/TC20357	12	SPRING, HE085	12
RETAINER/PISTON	12	RING, SNAP/47 C	10	SEAL, OIL/TC15257	31	SEAL, OIL/TC20357	12	SPRING, HE085	12
RIM, WHEEL	20	RING, SNAP/47 C	10	SEAL, OIL/TC15257	31	SEAL, OIL/TC20357	12	SPRING, HE085	12
RIM, WHEEL FRONT	32	RING, SNAP/47 C	10	SEAL, OIL/TC15257	31	SEAL, OIL/TC20357	12	SPRING, HE085	12
RING/O	12	RING, SNAP/47 C	10	SEAL, OIL/TC15257	31	SEAL, OIL/TC20357	12	SPRING, HE085	12
RING/SNAP	29	RING, SNAP/47 C	10	SEAL, OIL/TC15257	31	SEAL, OIL/TC20357	12	SPRING, HE085	12
RING/SPRING	29	RING, SNAP/47 C	10	SEAL, OIL/TC15257	31	SEAL, OIL/TC20357	12	SPRING, HE085	12
RING, CIRCUIT P	23	RING, SNAP/47 C	10	SEAL, OIL/TC15257	31	SEAL, OIL/TC20357	12	SPRING, HE085	12
RING, PTO	23	RING, SNAP/47 C	10	SEAL, OIL/TC15257	31	SEAL, OIL/TC20357	12	SPRING, HE085	12
RING, SNAP	51	RING, SNAP/47 C	10	SEAL, OIL/TC15257	31	SEAL, OIL/TC20357	12	SPRING, HE085	12
RING, SNAP/12 C	23	RING, SNAP/47 C	10	SEAL, OIL/TC15257	31	SEAL, OIL/TC20357	12	SPRING, HE085	12
RING, SNAP/15 C	21	RING, SNAP/47 C	10	SEAL, OIL/TC15257	31	SEAL, OIL/TC20357	12	SPRING, HE085	12
RING, SNAP/16 C	21	RING, SNAP/47 C	10	SEAL, OIL/TC15257	31	SEAL, OIL/TC20357	12	SPRING, HE085	12
RING, SNAP/17 C	23	RING, SNAP/47 C	10	SEAL, OIL/TC15257	31	SEAL, OIL/TC20357	12	SPRING, HE085	12
RING, SNAP/20 C	23	RING, SNAP/47 C	10	SEAL, OIL/TC15257	31	SEAL, OIL/TC20357	12	SPRING, HE085	12
RING, SNAP/20C	11	RING, SNAP/47 C	10	SEAL, OIL/TC15257	31	SEAL, OIL/TC20357	12	SPRING, HE085	12
RING, SNAP/25 C	22	RING, SNAP/47 C	10	SEAL, OIL/TC15257	31	SEAL, OIL/TC20357	12	SPRING, HE085	12
RING, SNAP/30 C	12	RING, SNAP/47 C	10	SEAL, OIL/TC15257	31	SEAL, OIL/TC20357	12	SPRING, HE085	12
RING, SNAP/40 C	12	RING, SNAP/47 C	10	SEAL, OIL/TC15257	31	SEAL, OIL/TC20357	12	SPRING, HE085	12
RING, SNAP/42 C	26	RING, SNAP/47 C	10	SEAL, OIL/TC15257	31	SEAL, OIL/TC20357	12	SPRING, HE085	12
RING, SNAP/42 C	9	RING, SNAP/47 C	10	SEAL, OIL/TC15257	31	SEAL, OIL/TC20357	12	SPRING, HE085	12
RING, SNAP/42 C	9	RING, SNAP/47 C	10	SEAL, OIL/TC15257	31	SEAL, OIL/TC20357	12	SPRING, HE085	12



DESCRIPTION	REF. NO	DESCRIPTION	REF. NO	DESCRIPTION	REF. NO	DESCRIPTION	REF. NO
TRIN/1X6X360	37	WASHER/0X32X2	39	WASHER, SP/M10	20		6
TRONNIONPIN	12	WASHER, BINDING SHAFT	40		22		21
	12	WASHER, BRAKE DRUM	22		23		13
TURNBuckle/M8	19	WASHER, PL/M 8	15		23		20
UNLOADINGVALVE	12		15		26		13
VALVE	3		15	WASHER, SP/M12	26		30
	4		15		29		21
	12		15		30		21
VALVE SET	51		19	WASHER, SP/M16	22		9
VALVE RFLTOP	12		21	WEIGHT/16 SET	50		1
VALVE/RELIEF ASSY	31		23	WHEEL, STEERING ASSY	27		16
	13		23		28		12
VALVE, CONTROL	14		35	WIRE	8		18
	14		38		15		3
VALVEPLATE	12		40	WORM/24	29		5
	12		40				
WASHER	12	WASHER, DL/M14	13				
	23		14				
WASHER / M6	7		14				
	10		15				
WASHER /M12	15		34				
	15		34				
	15		35				
	20	WASHER, PL/M16	26				
	30	WASHER, PULLIFY	26				
	35	WASHER, SP/M 5	23				
WASHER/M10	2		43				
	5		44				
	7	WASHER, SP/M 5	38				
	15	WASHER, SP/M 6	1				
	15		15				
	16		15				
	19		15				
	19		19				
	21		44				
	27	WASHER, SP/M 8	1				
	28		8				
WASHER/M20	15		8				
	35		9				
WASHER/M3	23		10				
	43		31				
	44		35				
WASHER/06X16X01	37		37				
WASHER/11X22X3	26	WASHER, SP/M10	1				
WASHER/11X35X02	39		6				
WASHER/15X24X2	21		9				
WASHER/31X42X1	29		10				
	30		12				
WASHER/51X4X3	41		17				



[www.m-jardin.fr](http://www.m-jardin.fr)



[www.m-jardin.fr](http://www.m-jardin.fr)



**Yvan Béal - 21, av. de l'Agriculture - B.P.16  
Z.I. du Brézet - 63014 Clermont-Ferrand Cedex 2  
Tél : 04 73 91 93 51 - Télécopie : 04 73 90 23 11  
[www.yvanbeal.fr](http://www.yvanbeal.fr) - E-mail : [info@yvanbeal.fr](mailto:info@yvanbeal.fr)  
R.C.S. Clermont-Fd B 304 973 886 - S.A.S. au capital de 612 000 €**