

P160.1, P160.1 B

Model:

P 160.1-10 B X-TRA

P 160.1-15

P 160.1-15 SPECIAL

P 160.1-15 X-TRA



Stykliste Dansk

11-02-2015

Nilfisk

www.nilfisk.com

Indholdsfortegnelse

P160.1, P160.1 B

Chassis P150.1 B, P160.1 B	3
Chassis P150.1, P160.1	6
Hose reel B X-TRA	9
Hose reel X-TRA	11
Motor pump unit for P150/160	13
Motor pump unit for ERGO/SPECIAL	16
Motor pump unit for B X-TRA	19
Motor pump unit without pressure regulation - B	21
Motor pump unit without pressure regulation - B X-	23
Default accessories	25

Chassis P150.1 B, P160.1 B

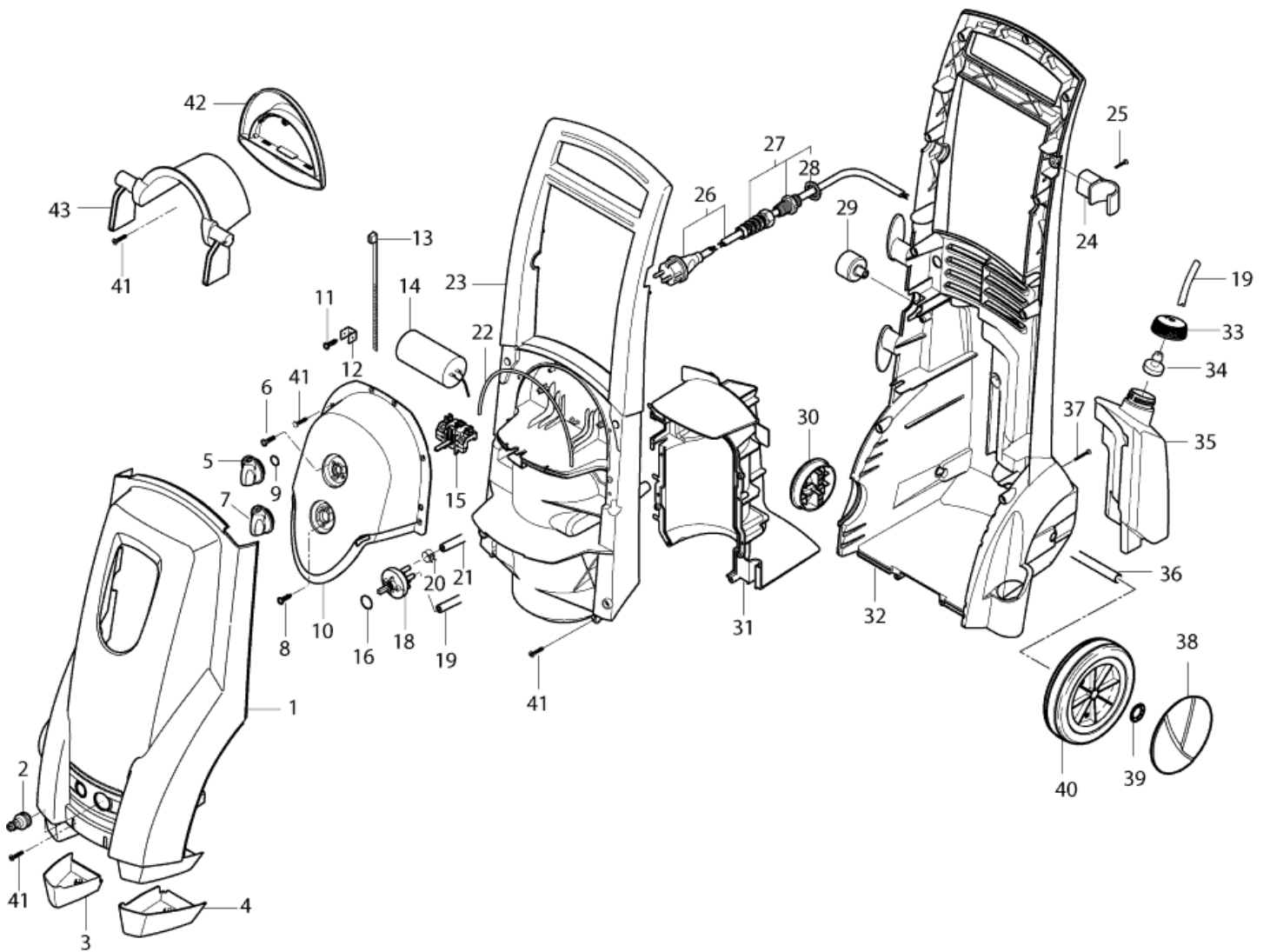
P160.1, P160.1 B

11-02-2015

StyMiste ID

P02

3



Chassis P150.1 B, P160.1 B

P160.1, P160.1 B

11-02-2015

StyMiste ID

PUZ

4

Pos	Vare nr.	Ant	Beskrivelse
1	6528690	zz½	Kabinetf front
2	1402809	1	Ly nkoblingsstuds
3	6528565	1	SUPPORT LEG RIGHT
4	6528566	1	SUPPORT LET LEFT
5	909100204	1	Drejeknap
6	1803451	2	SCREW M4X10 POZI DIN 965 BLACK-CHROM
7	909100214	1	Drejeknap Gr.1 4Kt
8	1814730	2	SCREW 35X10B W1423
9	9868	1	O-ring 10.0X2.5
10	6528416	1	Låg For Elkasse
11	1814585	1	Pt-Skrue K30X12
12	1814725	1	PLUG
13	1814741	1	CABLE TIE
14	3821793	1	Kondensator 50Uf
15	301001058	1	Start/Stop Kontakt
16	3004221	1	O-Ring 16X2
18	126528628	1	Dosing Valve (New)
19	5206040	1	Pvc Slange
20	1814679	1	Spændebånd
21	4973	1	HOSE Ø6X3
22	6528414	1	PACKING CORD 430MM
23	6528552	1	Chassis Front Sort
24	6528573	1	Lanseholder Ø38
25	1814732	2	Skrue K50X18
26	6521455	1	Kabel M. Stik Eu
26	6521456	1	CABLE WITH PLUG L.5000 GB
26	6521457	1	CABLE WITH PLUG L.5000 CH
27	6528601	1	CABLE GLAND
28	1953	1	NUT 6KT PG 11 46320 PVC
29	126528650	1	Stik
30	126528651	1	PLUG F. PRES.REG.KNOP HOLE
31	6528561	1	Motorskjold, Bagpart
32	6528562	1	Chassis Bagpart, Sort
33	107141664	1	CAP FOR DETERG. TANK WITH VALVE MOUNTED
34	6400240	1	Filter
35	6528557	1	Detergent Tank
36	6522842	1	AXLE 15X333 P12476
37	1814722	2	SCREW K50X35 WN1451 TORX
38	6522843	2	Nav kapsel
39	11710	2	Låsering
40	6528568	2	Hjul
41	101814782	31	Skrue
42	6528445	1	Slangeophæng Front

NOT X-TRA

Chassis P150.1 B, P160.1 B

P160.1, P160.1 B

11-02-2015

StyMiste ID

P02

5

Pos	Vare nr.	Ant	Beskrivelse	
43	6528444	1	HOSE HOOK BACK	NOT X-TRA
44	128307017	1	10Pcs Boxes To P150/P160	P 150.1 / P 160.1

Chassis P150.1, P160.1

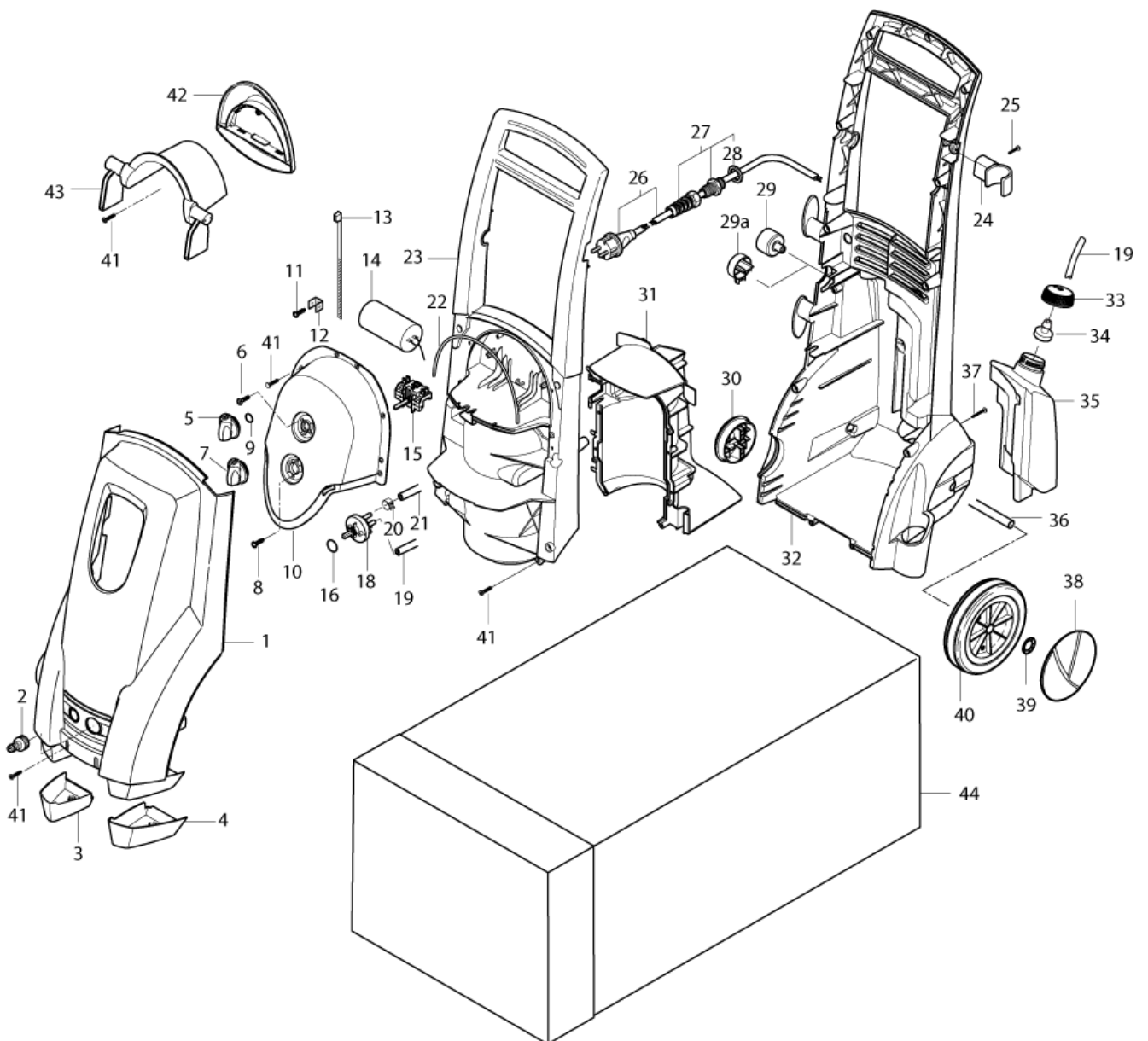
P160.1, P160.1 B

11-02-2015

StyMiste ID

P03

6



Chassis P150.1, P160.1

P160.1, P160.1 B

11-02-2015

StyMiste ID

P03

7

Pos	Vare nr.	Ant	Beskrivelse
1	6528690	1	Kabinetf front
2	1402809	1	Ly nkoblingsstuds
3	6528565	1	SUPPORT LEG RIGHT
4	6528566	1	SUPPORT LET LEFT
5	909100204	1	Drejeknap
6	1803451	2	SCREW M4X10 POZI DIN 965 BLACK-CHROM
7	909100214	1	Drejeknap Gr.1 4Kt
8	1814730	2	SCREW 35X10B W1423
9	9868	1	O-ring 10.0X2.5
10	6528416	1	Låg For Elkasse
11	1814585	1	Pt-Skrue K30X12
12	1814725	1	PLUG
13	1814741	1	CABLE TIE
14	3821793	1	Kondensator 50Uf
15	301001058	1	Start/Stop Kontakt
16	3004221	1	O-Ring 16X2
18	126528628	1	Dosing Valve (New)
19	5206040	1	Pvc Slange
20	1814679	1	Spændebånd
21	4973	1	HOSE Ø6X3
22	6528414	1	PACKING CORD 430MM
23	6528552	1	Chassis Front Sort
24	6528572	1	Lanseholder Ø47
			Not for P 140
24	6528573	1	Lanseholder Ø38
25	1814732	2	Skrue K50X18
26	6521455	1	Kabel M. Stik Eu
26	6521456	1	CABLE WITH PLUG L.5000 GB
26	6521457	1	CABLE WITH PLUG L.5000 CH
26	6521458	1	ELECTRIC CABLE WITH PLUG 5M-ZA
26	6521459	1	CABLE WITH PLUG AUS NZ
26	6521460	1	CABLE WITH PLUG L5000 J
27	6528601	1	CABLE GLAND
28	1953	1	NUT 6KT PG 11 46320 PVC
29	127440027	1	Manometer 0-315 Bar White
30	6528435	1	Try kholdegreb
31	6528561	1	Motorskjold, Bagpart
32	6528562	1	Chassis Bagpart, Sort
33	107141664	1	CAP FOR DETERG. TANK WITH VALVE MOUNTED
34	6400240	1	Filter
35	6528557	1	Detergent Tank
36	6522842	1	AXLE 15X333 P12476
37	1814722	2	SCREW K50X35 WN1451 TORX
38	6522843	2	Nav kapsel

Chassis P150.1, P160.1

P160.1, P160.1 B

11-02-2015

StyMiste ID

P03

8

Pos	Vare nr.	Ant	Beskrivelse
39	11710	2	Låsering
40	6528568	2	Hjul
41	101814782	31	Skrue
42	6528445	1	Slangeophæng Front
43	6528444	1	HOSE HOOK BACK
44	126486889	1	BOX-10 PCS OF POSEIDON
44	128307017	1	10Pcs Boxes To P150/P160
			P 150.1 / P 160.1
NI	126486899	1	BOX-10 PCS. OF P150/P160 X-TRA

Hose reel B X-TRA

P160.1, P160.1 B

11-02-2015

StyMiste ID

P04

10

Pos	Vare nr.	Ant	Beskrivelse
40	101814782	4	Skrue
41	6528569	1	Håndtag, slangeoprul
42	6528571	1	Adapter
43	6528570	2	Slangerulle
44	6127006	1	Connector
45	3002144	1	O-ring 14,3X2,4 Nitril
46	6526487	2	Låsebøjle RF
47	127500075	1	Slange
48	3004321	2	O-ring
49	3004304	2	O-ring
50	128500082	1	Højtryksslange Superflex 10 m
50	128500084	1	Højtryksslange Superflex 15 m

Hose reel X-TRA

P160.1, P160.1 B

11-02-2015

StyMiste ID

P05

12

Pos	Vare nr.	Ant	Beskrivelse	
40	101814782	4	Skrue	
41	6528569	1	Håndtag, slangeoprul	
42	6528571	1	Adapter	
43	6528570	2	Slangerulle	
44	6127006	1	Connector	
45	3002144	1	O-ring 14,3X2,4 Nitril	
46	6526487	2	Låsebøjle RF	
47	127500075	1	Slange	
48	3004321	2	O-ring	
49	3004304	2	O-ring	Only for X-TRA
49	6411221	1	O-ringe (20 stk. i pose)	
50	128500084	1	Højtryksslange Superflex 15 m	Only for X-TRA
51	6528612	1	Slange, 15 M Stålarmeret	Only for PRO SPECIAL

Motor pump unit for P150/160

P160.1, P160.1 B

11-02-2015

StyMiste ID

P06A

14

Pos	Vare nr.	Ant	Beskrivelse	
0	5218602	1	Pumpe Oil Hv68 1*1L	
1	6524042	1	Ventilator	
2	128332334	4	RACK FOR MOTOR	
3	6528592	1	Skråskive 3,3Kw	
4	1119705	1	Reparationskit leje	
5	6528594	1	Motor 3,3Kw	140, 120, 150.1, 130.1
6	6528577	3	Trykstempel Keramisk	140, 120, 150.1, 130.1
7	3003654	1	O-Ring 80X2 Nitril	
8	127440029	1	Cylinderblock Complete	
9	3001393	2	O-Ring 17,13X2,62 Nitril	
10	6526018	1	Rep. sæt Tætningssystem	
11	6528602	1	Rep.Sæt Tætningssystem	For Ceramic pistons
12	6526026	1	Rep. sæt ventilsystem	
13	6528586	3	Prop Med O-Ring	
14	6528616	1	Topstykke +0.3	
15	1814597	3	Skrue M8X70	
16	6528578	1	Microswitch Box	
17	3821991	1	Microswitch	
18	3004082	1	O-ring	
19	6528598	1	Prop M. O-Ring	
20	6528579	1	SLIDING PLATE	
21	126528629	1	Ventilstempel	
22	1814740	1	Skrue M6X65	
23	2602522	1	Fjeder	
24	1800440	2	Plansskive M6	
25	6528459	1	Avstandsstykke	
26	1805399	1	Låsemøtrik M/Nylonring M6	
27	1800705	1	Møtrik M6	
28	6528423	1	Aktivatorstift	
29	6528581	1	Aktivatorarm	
30	6528458	2	Låsebøjle	
31	6528599	3	PLUG WITH O-RING	
32	128500183	1	Non Return Valve Sp	
33	6528600	1	Prop M. O-Ring	
34	6528587	1	Injektor Kompl. Brun	140,150,150.1,160.1
35	6528574	1	Filter	
36	3004363	1	O-RING 6.0 X 2.2 SH 70	>2004.05.10 and 2004.07.01
37	6528545	1	Overgangsstykke	>2004.05.10 and 2007.07.01
39	1814679	1	Spændebånd	
40	5206040	1	Pvc Slange	
41	6528582	1	Ventilhus	
42	6528558	1	PRESSURE METER TUBE COMPLETE	
43	6528583	1	Ventilhus (X-Tra)	X-TRA

Motor pump unit for P150/160

P160.1, P160.1 B

11-02-2015

StyMiste ID

P06A

15

Pos	Vare nr.	Ant	Beskrivelse	
44	127500075	1	Slange	X-TRA
45	3004304	1	O-ring	X-TRA
45	6411221	1	O-ringe (20 stk. i pose)	
46	6525619	1	Låsebøjle Lille	X-TRA
47	6528544	1	LOCK BRACKET	
48	6528461	1	CROSS PIN	
49	7180924	4	STUD 145 MM	
50	123004374	1	O-RING 5.28 X 1.78 PUR SH 93	
38A	6528615	1	Slangestuds Kompl.	>2004.05.10 and 2004.07.01
38B	6124314	1	Slangestuds, Kompl.	>2004.05.10 and 2004.07.01

Motor pump unit for ERGO/SPECIAL

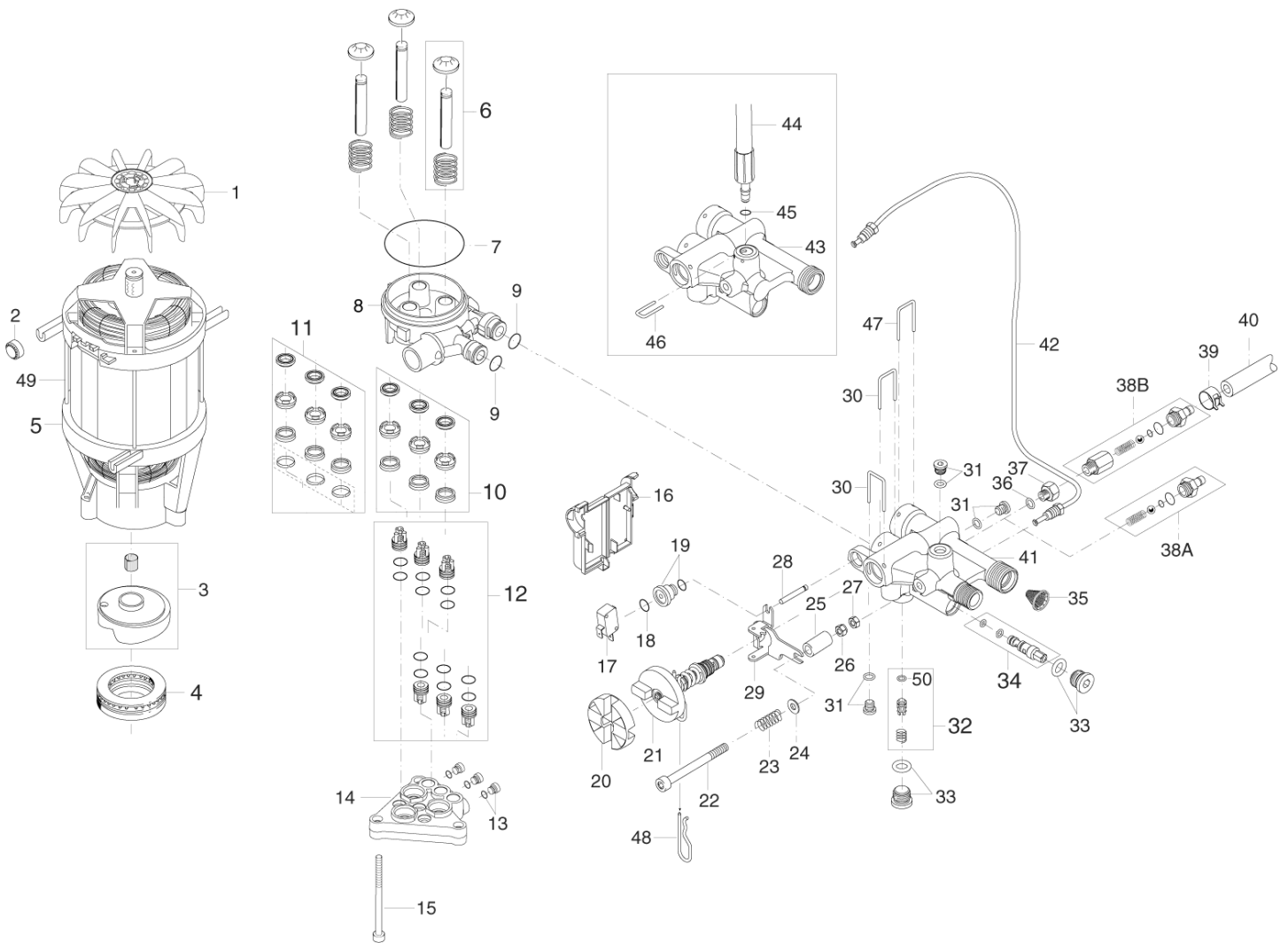
P160.1, P160.1 B

11-02-2015

StyMiste ID

P06C

16



Motor pump unit for ERGO/SPECIAL

P160.1, P160.1 B

11-02-2015

StyMiste ID

P06C

17

Pos	Vare nr.	Ant	Beskrivelse	
0	5218602	1	Pumpe Oil Hv68 1*1L	
1	6524042	1	Ventilator	
2	128332334	4	RACK FOR MOTOR	
3	6528585	1	Skråskive 2,9 kw	140, 150.1, ERGO, SPECIAL
4	1119705	1	Reparationskit leje	
5	6528594	1	Motor 3,3Kw	145, 160
6	6528577	3	Trykstempel Keramisk	160.1, 150.1
7	3003654	1	O-Ring 80X2 Nitril	
8	127440029	1	Cylinderblock Complete	
9	3001393	2	O-Ring 17,13X2,62 Nitril	
10	6526018	1	Rep. sæt Tætningssystem	
11	6528602	1	Rep.Sæt Tætningssystem	For ceramic pistons
12	6526026	1	Rep. sæt ventilsystem	
13	6528586	3	Prop Med O-Ring	
14	6528616	1	Topstykke +0.3	
15	1814597	3	Skrue M8X70	
16	6528578	1	Microswitch Box	
17	3821991	1	Microswitch	
18	3004082	1	O-ring	
19	6528598	1	Prop M. O-Ring	
20	6528579	1	SLIDING PLATE	
21	126528629	1	Ventilstempel	
22	1814740	1	Skrue M6X65	
23	2602522	1	Fjeder	
24	1800440	2	Plansskive M6	
25	6528459	1	Avstandsstykke	
26	1805399	1	Låsemøtrik M/Nylonring M6	
27	1800705	1	Møtrik M6	
28	6528423	1	Aktivatorstift	
29	6528581	1	Aktivatorarm	
30	6528458	2	Låsebøjle	
31	6528599	3	PLUG WITH O-RING	
32	128500183	1	Non Return Valve Sp	
33	6528600	1	Prop M. O-Ring	
34	6528587	1	Injektor Kompl. Brun	140,150,150.1,160.1
35	6528574	1	Filter	
36	3004363	1	O-RING 6.0 X 2.2 SH 70	>2004.05.10 and 2004.07.01
37	6528545	1	Overgangsstykke	>2004.05.10 and 2004.07.01
39	1814679	1	Spændebånd	
40	5206040	1	Pvc Slange	
42	6528558	1	PRESSURE METER TUBE COMPLETE	
43	6528583	1	Ventilhus (X-Tra)	X-TRA
44	127500075	1	Slange	X-TRA

Motor pump unit for ERGO/SPECIAL

P160.1, P160.1 B

11-02-2015

StyMiste ID

P06C

18

Pos	Vare nr.	Ant	Beskrivelse	
45	3004304	1	O-ring	X-TRA
46	6525619	1	Låsebøjle Lille	X-TRA
47	6528544	1	LOCK BRACKET	
48	6528461	1	CROSS PIN	
49	7180924	4	STUD 145 MM	
50	123004374	1	O-RING 5.28 X 1.78 PUR SH 93	
38A	6528615	1	Slangestuds Kompl.	>2004.05.10 and 2004.07.01
38B	6124314	1	Slangestuds, Kompl.	>2004.05.10 and 2004.07.01

Motor pump unit for B X-TRA

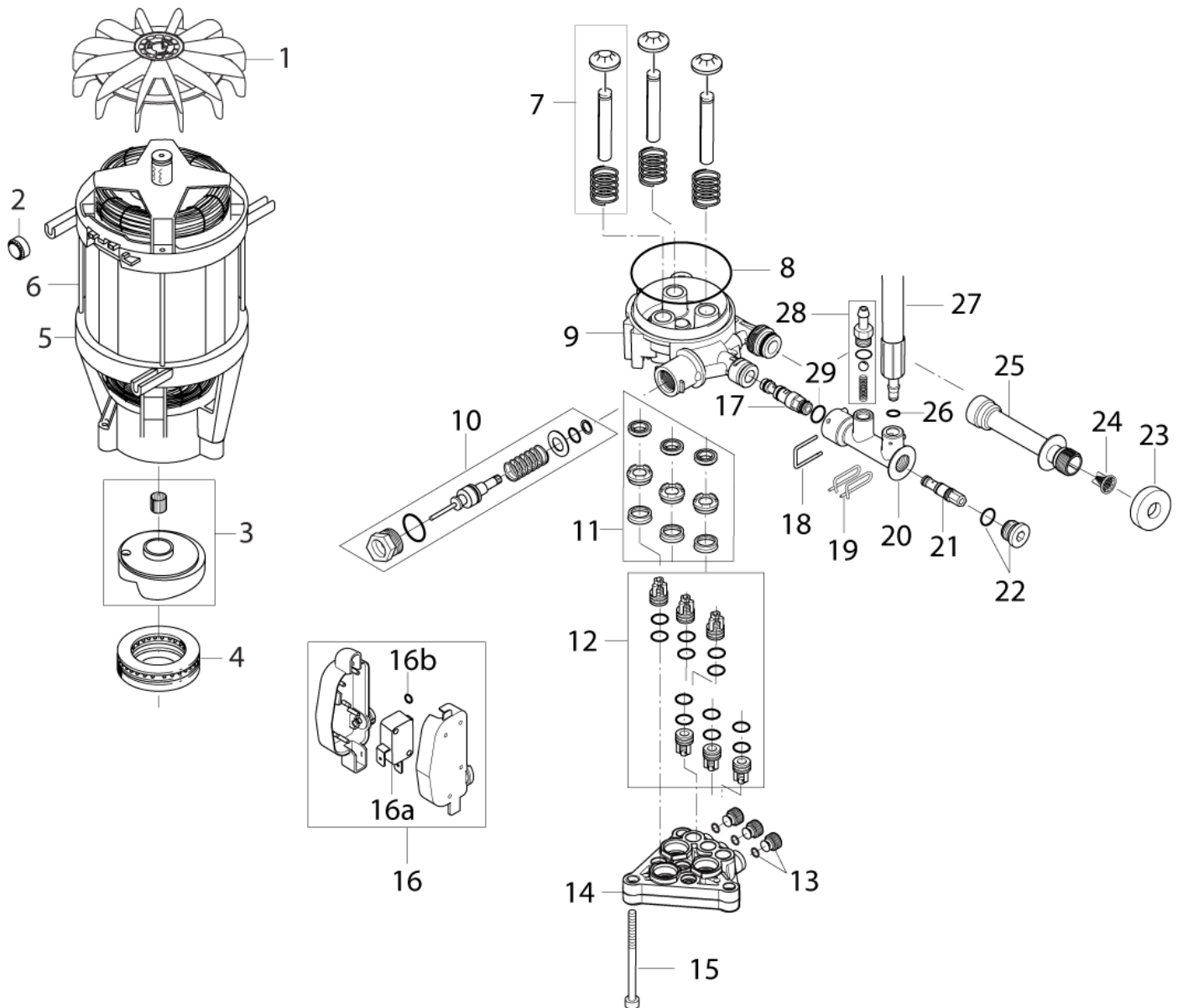
P160.1, P160.1 B

11-02-2015

StyMiste ID

P06E

19



Motor pump unit for B X-TRA

P160.1, P160.1 B

11-02-2015

StyMiste ID

P06E

20

Pos	Vare nr.	Ant	Beskrivelse	
0	5218602	1	Pumpe Oil Hv68 1*1L	
1	6524042	1	Ventilator	
2	128332334	1	RACK FOR MOTOR	
3	126528652	1	Skråskive	P150.1 B
3	126528657	1	WOBBLE DISC	P160.1 B
4	1119705	1	Reparationskit leje	
5	6528593	1	Motor 2,9Kw	
5	6528594	1	Motor 3,3Kw	
6	106526209	4	STUD	
7	6526016	3	Rep, Sæt Stempel	
8	3003654	1	O-Ring 80X2 Nitril	
9	6525598	1	Cylinderblok	
10	126528653	1	Ventil start/stop	
11	6526018	1	Rep. sæt Tætningsystem	
12	6526026	1	Rep. sæt ventilsystem	
13	6528586	3	Prop Med O-Ring	
14	6528616	1	Topstykke +0.3	
15	1814597	3	Skrue M8X70	
16	126528654	1	Microswitch Box Komplet	
17	126528655	1	Injektor Alto-Blå	
18	6528458	1	Låsebøjle	
19	126528532	2	LOCK BRACKET	
20	126528658	1	Afgangsstuds X-Tra	
21	126528656	1	Injector Bordeaux	
22	6528600	1	Prop M. O-Ring	
23	126486792	1	Pakning, Tilgang & Afgang	
24	6528574	1	Filter	
25	126528659	1	Vandtilgang	
26	3004304	1	O-ring	
27	127500075	1	Slange	
28	6528615	1	Slangestuds Kompl.	
29	3001393	1	O-Ring 17,13X2,62 Nitril	
16A	123822159	1	Microswitch 16/16 Marquar T	
16B	3004082	1	O-ring	

Motor pump unit without pressure regulation

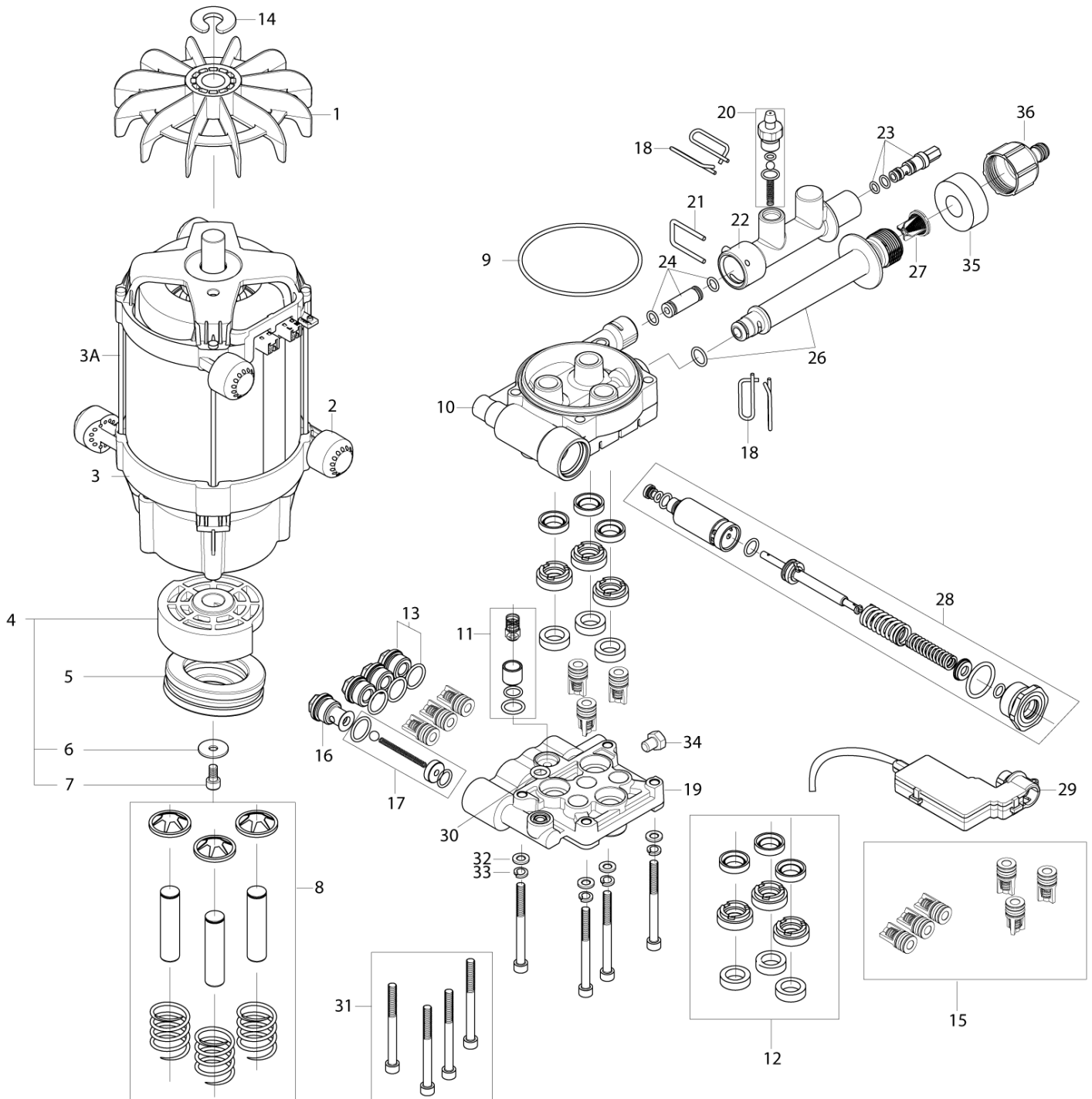
P160.1, P160.1 B

11-02-2015

StyMiste ID

P06F

21



Motor pump unit without pressure regulation

P160.1, P160.1 B

11-02-2015

StyMiste ID

P06t

22

Pos	Vare nr.	Ant	Beskrivelse
0	5218602	1	Pumpe Oil Hv68 1*1L
1	127500040	1	Ventilatorvinge
2	128332334	3	RACK FOR MOTOR
3	127500000	1	Motor 230-240V 50Hz 2.9Kw
3	127500011	1	Motor 230-240V 50HZ
4	127500001	1	Skråskive, 230-240V 2,9Kw
4	127500012	1	Skråskive-Sæt, 3,3 Kw
5	127500002	1	Leje
6	127130066	1	WASHER D22XD6.4X1.5
7	3913	1	Skrue M6X12
8	127500003	1	Rep. sæt stempler (3 stk.)
9	128500289	1	O-RING 85X2.62 NR70
10	127500004	1	Cylinderhus
11	128342004	1	Kontraventil-Sæt
12	127500037	1	Pakningssæt
13	127500015	3	Prop M18X1.5 Med O-Ring
14	127500051	1	LOCK RING
15	127500036	1	Inlet/Outlet Valve System 6Pcs
16	127500005	1	Easy Start Prop
17	127500014	1	Rep. Sæt For Easy Start
18	126528532	1	LOCK BRACKET
19	127500006	1	Cylinder Hoved
20	127500017	1	Mellemstykke
21	127500021	1	Låsebøjle, stor
22	127500022	1	Afgangsstuds
23	126528656	1	Injector Bordeaux
24	127500007	1	Reduktion Med O-Ring
26	127500008	1	Vandtilgang
27	6528574	1	Filter
28	127500052	1	S/S Ventil, Kompl.
29	127500010	1	Micro Switch Box System
30	127500073	1	O-ring
31	127500071	4	SCREW M6X70 DIN 912 4PCS
32	127500029	4	WASHER
33	127130063	4	SPRING WASHER M6 DIN 127B
34	127500072	1	SCREW M8
35	126486792	1	Pakning, Tilgang & Afgang
36	1402809	1	Lynkoblingsstuds
3A	7180924	4	STUD 145 MM

Motor pump unit without pressure regulation -

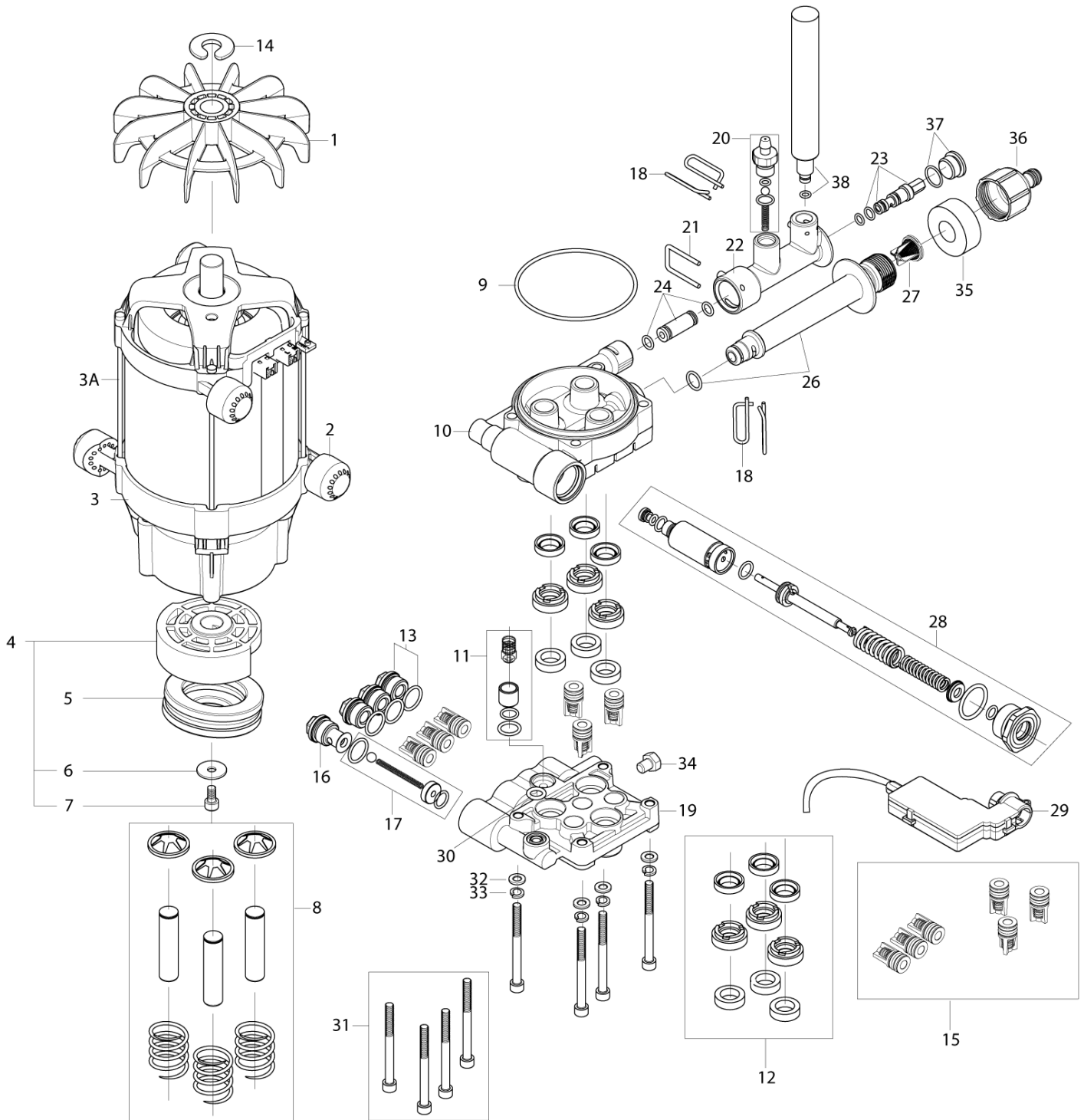
P160.1, P160.1 B

11-02-2015

StyMiste ID

P06G

23



Motor pump unit without pressure regulation - |

P160.1, P160.1 B

11-02-2015

StyMiste ID

P06G

24

Pos	Vare nr.	Ant	Beskrivelse
0	5218602	1	Pumpe Oil Hv68 1*1L
1	127500040	1	Ventilatorvinge
2	128332334	4	RACK FOR MOTOR
3	127500000	1	Motor 230-240V 50Hz 2.9Kw
3	127500011	1	Motor 230-240V 50HZ
4	127500001	1	Skråskive, 230-240V 2,9Kw
4	127500012	1	Skråskive-Sæt, 3,3 Kw
5	127500002	1	Leje
6	127130066	1	WASHER D22XD6.4X1.5
7	3913	1	Skrue M6X12
8	127500003	1	Rep. sæt stempler (3 stk.)
9	128500289	1	O-RING 85X2.62 NR70
10	127500004	1	Cylinderhus
11	128342004	1	Kontraventil-Sæt
12	127500037	1	Pakningssæt
13	127500015	3	Prop M18X1.5 Med O-Ring
14	127500051	1	LOCK RING
15	127500036	1	Inlet/Outlet Valve System 6Pcs
16	127500005	1	Easy Start Prop
17	127500014	1	Rep. Sæt For Easy Start
18	126528532	4	LOCK BRACKET
19	127500006	1	Cylinder Hoved
20	127500017	1	Mellemstykke
21	127500021	1	Låsebøjle, stor
22	127500023	1	OUTLET X-TRA
23	126528656	1	Injector Bordeaux
24	127500007	1	Reduktion Med O-Ring
26	127500008	1	Vandtilgang
27	6528574	1	Filter
28	127500052	1	S/S Ventil, Kompl.
29	127500010	1	Micro Switch Box System
30	127500073	1	O-ring
31	127500071	4	SCREW M6X70 DIN 912 4PCS
32	127500029	4	WASHER
33	127130063	4	SPRING WASHER M6 DIN 127B
34	127500072	1	SCREW M8
35	126486792	1	Pakning, Tilgang & Afgang
36	1402809	1	Lynkoblingsstuds
37	127500076	1	X-Tra Plug On Outlet
38	127500075	1	Slange
3A	7180924	4	STUD 145 MM

Default accessories

P160.1, P160.1 B

11-02-2015

StyMiste ID

P13008

25

Ingen tegning

Default accessories

P160.1, P160.1 B

11-02-2015

StyMiste ID P13008

26

Pos	Vare nr.	Ant	Beskrivelse
1	127440050	1	Nozzle Tube G5
1	128500072	1	Spulehåndtag
1	128500078	1	Tornado PR dyse komplet bronze
1	128500079	1	Powerspeed dyse komplet rød
1	128500082	1	Højtryksslange Superflex 10 m X-TRA
1	128500083	1	Højtryksslange Superflex 10 m
1	128500084	1	Højtryksslange Superflex 15 m X-TRA
1	6520844	1	Rensenål sort
1	6526376	1	Slange, Kompl. 15M Pro
1	6528612	1	Slange, 15 M Stålarmeret Special
1	6528613	1	Højtryksslange 15 m enkelt-wire DN6 ERGO