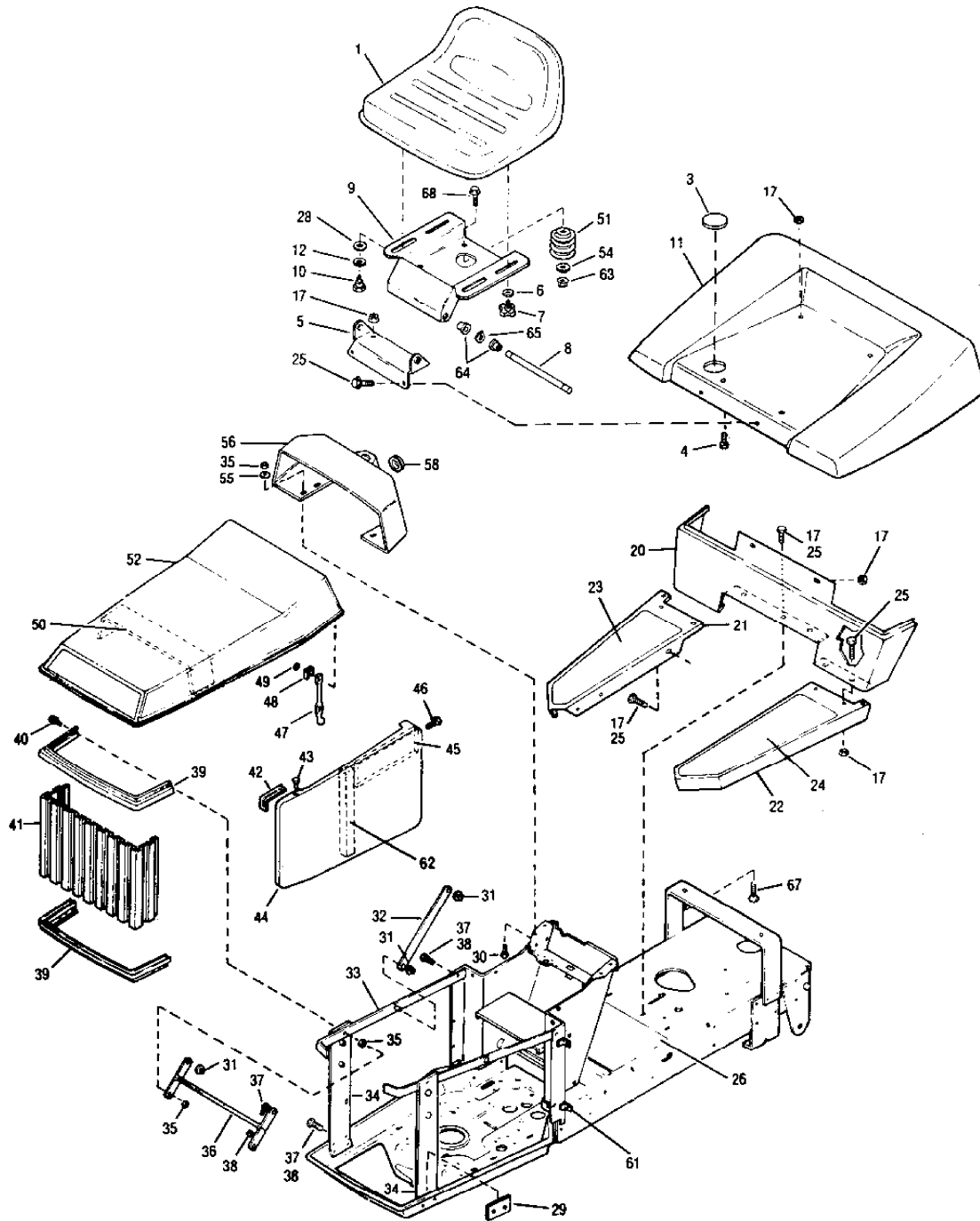


Section: 1236G-1648H TRM107-TRH107 CHASSIS

| Pos. | Quantity | Spare part No | Description | Kit | Notes | New |
|------|----------|---------------|--------------|-----------------------|-------|-----|
| | 8111 | 8131 | | | | |
| | 8119 | 8138 | | | | |
| 1 | 1 | 1 | 1132-0904-01 | Seat | | |
| 3 | | 1 | 1132-0799-01 | Plug | | |
| 4 | 2 | 2 | 9899-3622-16 | Screw | | |
| 5 | 1 | 1 | 1132-0851-01 | Pivot bracket | | |
| 6 | 2 | 2 | 9699-0029-02 | Flat washer | | |
| 7 | 2 | 2 | 1132-0134-01 | Knob | | |
| 8 | 1 | 1 | 1132-0789-01 | Rod | | |
| 9 | 1 | 1 | 1132-0788-01 | Seat support | | |
| 10 | 2 | 2 | 1132-0742-01 | Screw | | |
| 11 | 1 | 1 | 1132-0805-01 | Rear fender | | |
| 12 | 2 | 2 | 1132-0049-01 | Nylon washer | | |
| 17 | 15 | 15 | 9727-3641-22 | Nut | | |
| 20 | 1 | 1 | 1132-0235-01 | Running board support | | |
| 21 | 1 | 1 | 1132-0515-01 | Running board-R.H. | | |
| 22 | 1 | 1 | 1132-0514-01 | Running board-L.H. | | |
| 23 | | 1 | 1132-0195-01 | Foot pad-R.H. | | |
| 23 | 1 | | 1132-0870-01 | Foot pad-R.H. | | |
| 24 | 1 | | 1132-0872-01 | Foot pad-L.H. | | |
| 24 | | 1 | 1132-0797-01 | Foot pad-L.H. | | |
| 25 | 9 | 9 | 1132-0691-01 | Screw | | |
| 26 | 1 | | 1132-0871-01 | Center foot pad | | |
| 26 | | 1 | 1132-0820-01 | Center foot pad | | |
| 28 | 2 | 2 | 1811-0202-01 | Washer | | |
| 29 | 2 | 2 | 1132-0655-01 | Spacer plate | | |
| 30 | 4 | 4 | 9988-3516-16 | Screw | | |
| 31 | 6 | 6 | 1132-0339-01 | Retaining ring | | |
| 32 | 2 | 2 | 1132-0187-01 | Hinge link | | |
| 33 | 2 | 2 | 1132-0895-01 | Hinge strap | | |
| 34 | 2 | 2 | 1132-0551-01 | Grille support | | |
| 35 | 8 | 8 | 9743-3521-32 | Nut | | |
| 36 | 2 | 2 | 1132-0186-01 | Hinge link | | |
| 37 | 12 | 12 | 1132-0690-01 | Screw | | |
| 38 | 12 | 12 | 9727-3541-22 | Nut | | |
| 39 | 2 | 2 | 1132-0188-01 | Grille cap | | |
| 40 | 2 | 2 | 9988-3525-16 | Screw | | |
| 41 | 1 | | 1132-0189-01 | Grille | | |
| 41 | | 1 | 1132-0823-01 | Grille | | |
| 42 | | 4 | 1132-0650-01 | Side cover guide | | |
| 42 | 4 | | 1132-0214-01 | Side cover guide | | |
| 43 | 8 | | 1132-0035-01 | Pop rivet | | |
| 43 | | 8 | 1132-0858-01 | Pop rivet | | |
| 44 | 1 | 1 | 1132-0212-01 | Side cover-R.H. | | |
| 44 | 1 | 1 | 1132-0213-01 | Side cover-L.H. | | |
| 45 | 2 | | 1132-0248-01 | Sealing block | | |
| 46 | 4 | 4 | 1811-0138-01 | Screw | | |
| 47 | 2 | 2 | 1132-0109-01 | Rubber latch | | |
| 48 | 2 | 2 | 1132-0108-01 | Clip | | |
| 49 | 2 | 2 | 1811-0191-01 | Nut | | |
| 50 | 1 | 1 | 1132-0250-01 | Sealing strip | | |
| 51 | 2 | 2 | 1132-0783-01 | Spring | | |
| 52 | 1 | 1 | 1132-0246-01 | Hood | | |
| 54 | 2 | 2 | 1132-0624-01 | Flat washer | | |
| 55 | 4 | 4 | 9699-0026-02 | Flat washer | | |
| 56 | 1 | 1 | 1132-0574-01 | Instrument panel | | |
| 58 | | 2 | 1132-0716-01 | Cap | | |
| 58 | 2 | | 1132-0863-01 | Cap | | |

Section: 1236G-1648H TRM107-TRH107 CHASSIS

| Pos. | Quantity | | Spare part No | Description | Kit | Notes | New |
|------|----------|------|---------------|----------------|-----|-------|-----|
| | 8111 | 8131 | | | | | |
| | 8119 | 8138 | | | | | |
| 61 | 4 | 4 | 1132-0199-01 | Angle bracket | | | |
| 62 | 2 | 2 | 1132-0661-01 | Seal strip | | | |
| 63 | 2 | 2 | 1132-0695-01 | Nut | | | |
| 64 | 4 | 4 | 1132-0800-01 | Flange bearing | | | |
| 65 | 2 | 2 | 1811-0151-01 | Retainer ring | | | |
| 67 | 2 | 2 | 9899-3622-16 | Screw | | | |
| 68 | 2 | 2 | 1132-0693-01 | Screw | | | |



Section: 1236G-1648H TRM107-TRH107 STEERING LIFT

| Pos. | Quantity | Spare part No | Description | Kit | Notes | New |
|------|----------|---------------|--------------|----------------------|-------|-----|
| | 8111 | 8131 | | | | |
| | 8119 | 8138 | | | | |
| 1 | 4 | 4 | 1811-0754-01 | Screw | | |
| 2 | 1 | | 1132-0867-01 | Steering wheel | 1236G | |
| 2 | 1 | 1 | 1132-0770-01 | Steering wheel | | |
| 3 | 1 | 1 | 1132-0018-01 | Roll pin | | |
| 4 | 1 | 1 | 1132-0027-01 | Flange bearing | | |
| 5 | 1 | 1 | 1132-0537-01 | Shaft support | | |
| 6 | 13 | 13 | 9727-3541-22 | Nut | | |
| 7 | 17 | 17 | 1132-0690-01 | Screw | | |
| 8 | 1 | 1 | 1132-0547-01 | Instr. panel support | | |
| 9 | 4 | 4 | 1132-0023-01 | Speed nut | | |
| 10 | 1 | 1 | 1132-0828-01 | Battery support | | |
| 11 | 2 | 2 | 1132-0883-01 | Belt guide | | |
| 12 | 1 | 1 | 1132-0145-01 | Handle grip | | |
| 13 | 4 | 4 | 1811-0182-01 | Washer | | |
| 14 | 33 | 38 | 1132-0691-01 | Screw | | |
| 15 | 2 | 2 | 1132-0487-01 | Lock nut | | |
| 16 | 1 | 1 | 1132-0466-01 | Steering arm | | |
| 17 | 1 | 1 | 1132-0617-01 | Washer | | |
| 18 | 2 | 2 | 1132-0022-01 | Retaining ring | | |
| 19 | 1 | 1 | 1132-0300-01 | Pin | | |
| 19 | 2 | 2 | 9743-5221-32 | Nut | | |
| 20 | 1 | 1 | 1132-0886-01 | Lift guide kit | | |
| 21 | 1 | 1 | 1132-0886-01 | Lift guide kit | | |
| 22 | 2 | 2 | 9699-0038-02 | Flat washer | | |
| 23 | 42 | 42 | 9727-3641-22 | Nut | | |
| 24 | 2 | 2 | 1811-0122-01 | Cotter pin | | |
| 25 | 1 | 1 | 1132-0494-01 | Lift rod | | |
| 26 | 1 | 1 | 1811-0176-01 | Grease fitting | | |
| 27 | 1 | 1 | 1132-0761-01 | Lift shaft | | |
| 28 | 1 | 1 | 1132-0757-01 | Fender support | | |
| 29 | 1 | 1 | 1132-0447-01 | Rear panel | | |
| 30 | 2 | 2 | 1132-0158-01 | Axle support | | |
| 31 | 1 | 1 | 1132-0898-01 | Lift lever | | |
| 32 | 2 | 2 | 1132-0021-01 | Retaining ring | | |
| 33 | 1 | 1 | 9652-0015-04 | Retaining ring | | |
| 34 | 1 | 1 | 1132-0804-01 | Rear frame | | |
| 35 | 4 | 4 | 1132-0199-01 | Angle bracket | | |
| 36 | 1 | 1 | 1132-0498-01 | Steering shaft | | |
| 37 | ERF | ERF | 1132-0125-01 | Shim washer | | |
| 38 | 1 | 1 | 1132-0302-01 | Flange bearing | | |
| 39 | 1 | 1 | 1132-0471-01 | Steering support | | |
| 40 | 1 | 1 | 1132-0058-01 | Thrust washer | | |
| 41 | 1 | 1 | 1132-0468-01 | Sector gear | | |
| 42 | 2 | 2 | 1132-0020-01 | Flange bearing | | |
| 43 | 1 | 1 | 9650-0019-04 | Retainer ring | | |
| 44 | 1 | 1 | 1132-0303-01 | Bracket | | |
| 45 | 1 | 1 | 1132-0470-01 | Steering arm | | |
| 46 | 2 | 2 | 9988-3757-12 | Screw | | |
| 47 | 4 | 4 | 9743-3721-32 | Nut | | |
| 48 | 4 | 4 | 1811-0204-01 | Flat washer | | |
| 50 | 2 | 2 | 1132-0063-01 | Ball joint | | |
| 51 | 2 | 2 | 9743-5421-32 | Nut | | |
| 52 | 1 | 1 | 1132-0467-01 | Steering rod | | |
| 53 | 1 | 1 | 1132-0304-01 | Bracket | | |
| 54 | 1 | 1 | 1132-0481-01 | Attachment bracket | | |
| 55 | 4 | 4 | 9954-3719-16 | Screw | | |

Section: 1236G-1648H TRM107-TRH107 STEERING LIFT

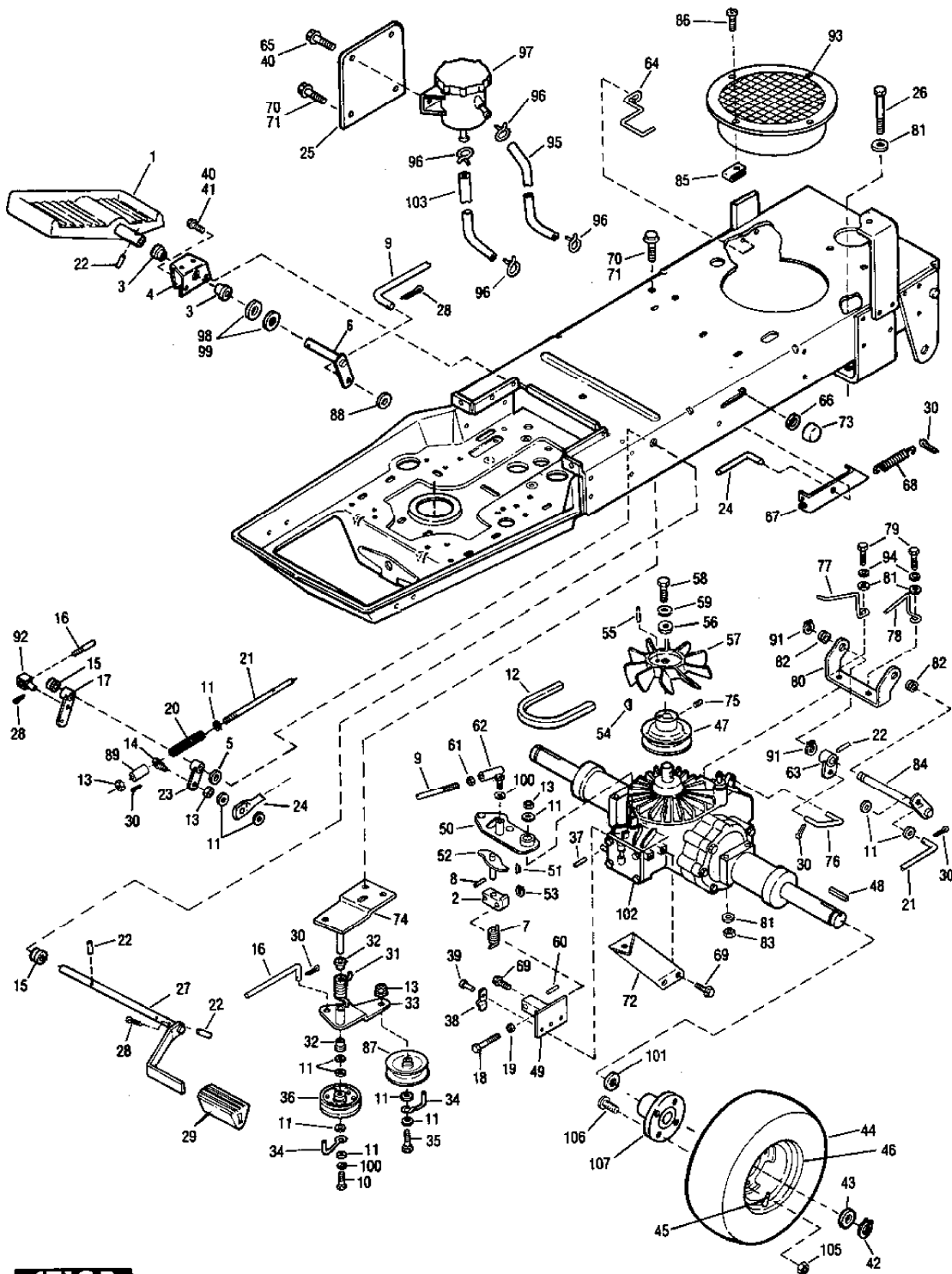
| Pos. | Quantity | Spare part No | Description | Kit | Notes | New |
|------|----------|---------------|--------------|-----|-------------|-----|
| | 8111 | 8131 | | | | |
| | 8119 | 8138 | | | | |
| 56 | 4 | 4 | 1132-0695-01 | | | |
| 57 | 1 | 1 | 9743-4121-12 | | | |
| 58 | 1 | 1 | 1132-0265-01 | | | |
| 59 | 1 | 1 | 1132-0463-01 | | | |
| 60 | 1 | 1 | 1132-0464-01 | | | |
| 61 | 4 | 4 | 1132-0453-01 | | | |
| 62 | 2 | 2 | 9545-0500-00 | | | |
| 63 | 4 | 4 | 1811-0190-01 | | | |
| 64 | 2 | 2 | 1132-0573-01 | | | |
| 65 | 2 | 2 | 1132-0454-01 | | | |
| 66 | 4 | 4 | 1132-0181-01 | | 15 x 6.00-6 | |
| 67 | 4 | 4 | 1132-0021-01 | | | |
| 68 | ERF | ERF | 1811-0200-01 | | | |
| 69 | 1 | 1 | 1132-0465-01 | | | |
| 70 | 1 | 1 | 1132-0483-01 | | | |
| 71 | 1 | 1 | 1132-0185-01 | | | |
| 72 | 1 | 1 | 1132-0259-01 | | | |
| 73 | 2 | 2 | 1132-0264-01 | | | |
| 74 | ERF | ERF | 1811-0182-01 | | | |
| 75 | 2 | 2 | 1132-0305-01 | | | |
| 76 | 2 | 2 | 9988-3732-12 | | | |
| 77 | 2 | 2 | 1132-0837-01 | | | |
| 78 | 2 | 2 | 1132-0307-01 | | | |
| 79 | 2 | 2 | 1132-0510-01 | | | |
| 80 | 1 | 1 | 1132-0538-01 | | | |

Section: 1648H-TRH107 TRANSMISSION

| Pos. | Quantity | Spare part No | Description | Kit | Notes | New |
|------|----------|---------------|---------------------|-----|--------------|-----|
| | 8131 | | | | | |
| | 8138 | | | | | |
| 1 | 1 | 1132-0808-01 | Pedal | | | |
| 2 | 1 | 1132-0733-01 | Pivot block | | | |
| 3 | 2 | 1811-0175-01 | Flange bearing | | | |
| 4 | 1 | 1132-0861-01 | Hydro pedal support | | | |
| 5 | 1 | 9699-0104-02 | Washer | | | |
| 6 | 1 | 1132-0807-01 | Control shaft | | | |
| 7 | 1 | 1132-0735-01 | Torsion spring | | | |
| 8 | 1 | 1132-0009-01 | Roll pin | | | |
| 9 | 1 | 1132-0806-01 | Speed control rod | | | |
| 10 | 1 | 9988-3757-12 | Screw | | | |
| 11 | 12 | 9699-0029-02 | Flat washer | | | |
| 12 | 1 | 1132-0723-01 | V-belt | | | |
| 13 | 4 | 9743-3721-32 | Nut | | | |
| 14 | 1 | 1132-0448-01 | Eye bolt | | | |
| 15 | 2 | 1811-0752-01 | Nylon bushing | | | |
| 16 | 1 | 1132-0290-01 | Clutch rod | | | |
| 17 | 1 | 1132-0724-01 | Clutch arm | | | |
| 18 | 1 | 1132-0732-01 | Adjusting screw | | | |
| 19 | 1 | 9743-5421-32 | Nut | | | |
| 20 | 1 | 1132-0719-01 | Compression spring | | | |
| 21 | 1 | 1132-0730-01 | Brake rod | | | |
| 22 | 4 | 1811-0142-01 | Roll pin | | | |
| 23 | 1 | 1132-0519-01 | Arm | | | |
| 24 | 1 | 1132-0491-01 | Brake lock rod | | | |
| 25 | 1 | 1132-0798-01 | Tank support | | | |
| 26 | 4 | 9988-3670-12 | Screw | | | |
| 27 | 1 | 1132-0826-01 | Brake pedal | | | |
| 28 | 3 | 1811-0122-01 | Cotter pin | | | |
| 29 | 1 | 1132-0119-01 | Foot rest | | | |
| 30 | 6 | 9599-0070-02 | Split pin | | | |
| 31 | 1 | 1132-0517-01 | Torsion spring | | | |
| 32 | 2 | 1132-0059-01 | Nylon bushing | | | |
| 33 | 1 | 1132-0289-01 | Idler arm | | | |
| 34 | 2 | 1132-0906-01 | Belt guide | | | |
| 35 | 1 | 9988-3745-12 | Screw | | | |
| 36 | 1 | 1132-0835-01 | Idler | | | |
| 37 | 1 | 1132-0704-01 | Roll pin | | | |
| 38 | 1 | 1132-0834-01 | Latch | | | |
| 39 | 1 | 1132-0705-01 | Pop rivet | | | |
| 40 | 3 | 1132-0690-01 | Screw | | | |
| 41 | 1 | 9727-3541-22 | Nut | | | |
| 42 | 2 | 1132-0701-01 | Retaining ring | | | |
| 43 | ERF | 1132-0341-01 | Washer | | | |
| 44 | 2 | 1132-0580-01 | Tire | | 20 x 10.00-8 | |
| 45 | 2 | 9545-0500-00 | Valve | | | |
| 46 | 2 | 1132-0561-01 | Wheel disc | | | |
| 47 | 1 | 1132-0722-01 | Hydro sheave | | | |
| 48 | 2 | 1132-0699-01 | Key | | | |
| 49 | 1 | 1132-0731-01 | Adj. block | | | |
| 50 | 1 | 1132-0737-01 | Speed control arm | | | |
| 51 | 1 | 1132-0004-01 | Woodruff key | | | |
| 52 | 1 | 1132-0736-01 | Pivot shaft | | | |
| 53 | 1 | 1132-0702-01 | Retaining ring | | | |
| 54 | 1 | 1811-0189-01 | Key | | | |
| 55 | 1 | 1811-0143-01 | Roll pin | | | |
| 56 | 1 | 1132-0833-01 | Flat washer | | | |

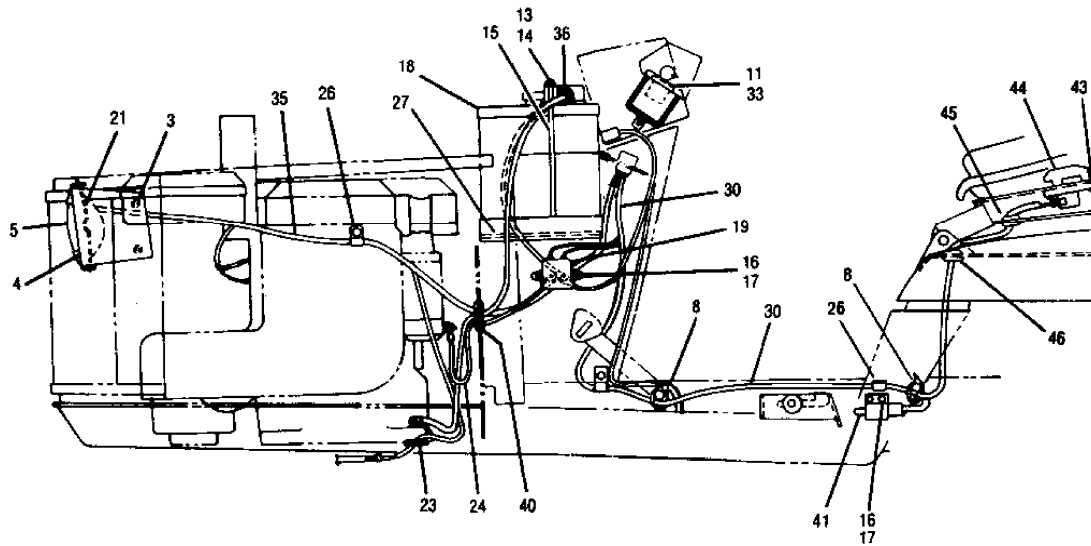
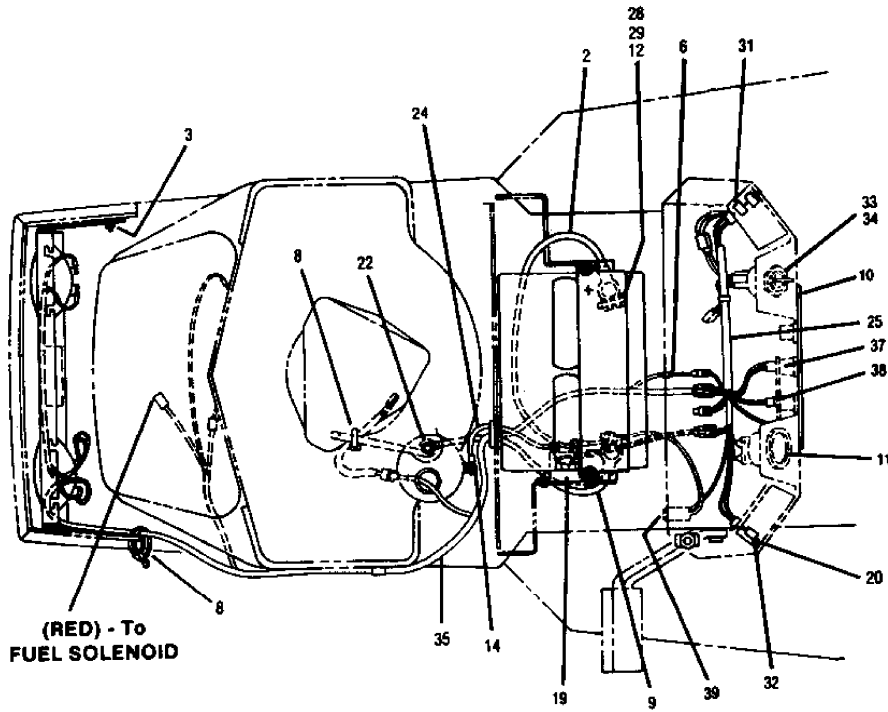
Section: 1648H-TRH107 TRANSMISSION

| Pos. | Quantity | Spare part No | Description | Kit | Notes | New |
|------|----------|---------------|-----------------------|-----|-------|-----|
| | 8131 | | | | | |
| | 8138 | | | | | |
| 57 | 1 | 1132-0738-01 | Fan | | | |
| 58 | 1 | 9988-3525-16 | Screw | | | |
| 59 | 1 | 9683-0025-02 | Lock washer | | | |
| 60 | 1 | 1132-0734-01 | Dowel pin | | | |
| 61 | 1 | 9794-5231-02 | Nut | | | |
| 62 | 1 | 1132-0832-01 | Ball joint | | | |
| 63 | 1 | 1132-0763-01 | Brake arm | | | |
| 64 | 1 | 1132-0857-01 | Guide | | | |
| 65 | 2 | 9743-3521-32 | Nut | | | |
| 66 | 1 | 1811-0808-01 | Washer | | | |
| 67 | 1 | 1132-0838-01 | Interlock bracket | | | |
| 68 | 1 | 1132-0710-01 | Compression spring | | | |
| 69 | 4 | 1811-0195-01 | Screw | | | |
| 70 | 4 | 1132-0691-01 | Screw | | | |
| 71 | 4 | 9727-3641-22 | Nut | | | |
| 72 | 1 | 1132-0758-01 | Bracket | | | |
| 73 | 1 | 1132-0299-01 | Push on cap | | | |
| 74 | 1 | 1132-0516-01 | Idler bracket | | | |
| 75 | 2 | 1132-0298-01 | Set screw | | | |
| 76 | 1 | 1132-0762-01 | Brake link | | | |
| 77 | 1 | 1132-0812-01 | Belt guide-R.H. | | | |
| 78 | 1 | 1132-0813-01 | Belt guide-L.H. | | | |
| 79 | 2 | 9988-3625-16 | Screw | | | |
| 80 | 1 | 1132-0759-01 | Shaft support | | | |
| 81 | 10 | 9699-0028-02 | Flat washer | | | |
| 82 | 2 | 1132-0811-01 | Flange bearing | | | |
| 83 | 4 | 9743-3621-32 | Nut | | | |
| 84 | 1 | 1132-0818-01 | Jackshaft | | | |
| 85 | 4 | 1811-0433-01 | Lock nut | | | |
| 86 | 4 | 1811-0138-01 | Screw | | | |
| 87 | 1 | 1132-0104-01 | Idler pulley | | | |
| 88 | 1 | 9699-0038-02 | Flat washer | | | |
| 89 | 1 | 1132-0055-01 | Spacer | | | |
| 91 | 2 | 9652-0015-04 | Retaining ring | | | |
| 92 | 1 | 1132-0416-01 | Pivot block | | | |
| 93 | 1 | 1132-0760-01 | Fan shroud | | | |
| 94 | 1 | 9683-0030-02 | Lock washer | | | |
| 95 | 1 | 1132-0802-01 | Hose | | | |
| 96 | 4 | 1132-0856-01 | Hose clamp | | | |
| 97 | 1 | 1132-0769-01 | Oil reservoir | | | |
| 98 | ERF | 1811-0529-01 | Washer | | | |
| 99 | ERF | 1132-0047-01 | Flat washer | | | |
| 100 | 2 | 9683-0035-02 | Lock washer | | | |
| 101 | 2 | 1132-0707-01 | Washer | | | |
| 102 | 1 | 1132-0827-01 | Hydrostatic transaxle | | | |
| 103 | 1 | 1132-0803-01 | Hose | | | |
| 104 | 1 | 9743-5321-32 | Nut | | | |
| 105 | 8 | 1132-0566-01 | Wheel nut | | | |
| 106 | 8 | 1132-0567-01 | Wheel stud | | | |
| 107 | 2 | 1132-0901-01 | Wheel hub | | | |



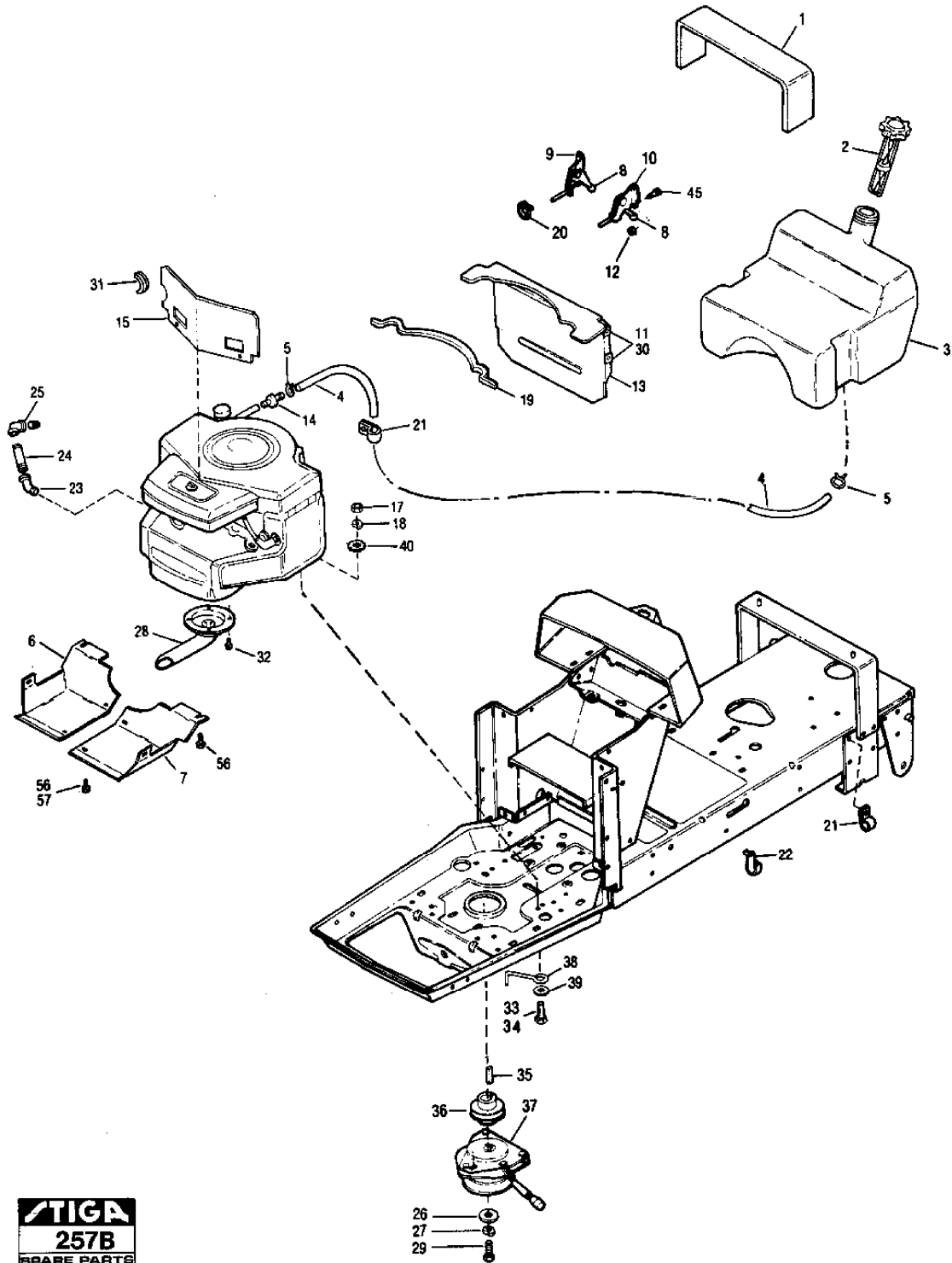
Section: 1648H-TRM107-TRH107 ELECTRICAL SYSTEM

| Pos. | Quantity | Spare part No | Description | Kit | Notes | New |
|------|----------|---------------|----------------------|-----|-----------------|-----|
| | 8119 | | | | | |
| | 8131 | | | | | |
| | 8138 | | | | | |
| 2 | 1 | 1132-0829-01 | Battery cable (+) | | | |
| 3 | 4 | 9727-3541-22 | Nut | | | |
| 4 | 1 | 1132-0237-01 | Light support | | | |
| 5 | 2 | 1132-0103-01 | Headlight | | | |
| 6 | 1 | 1132-0681-01 | Diode | | | |
| 8 | 3 | 1811-0350-01 | Cableholder | | | |
| 9 | 1 | 1132-0830-01 | Battery cable (-) | | | |
| 10 | 1 | 1132-0868-01 | Lense | | | |
| 11 | 1 | 1132-0876-01 | Hour meter kit | | | |
| 12 | 2 | 9795-3531-02 | Nut | | | |
| 13 | 2 | 9699-0026-02 | Flat washer | | | |
| 14 | 3 | 9743-3521-32 | Nut | | | |
| 15 | 2 | 1132-0727-01 | J-bolt | | | |
| 16 | 4 | 1811-0138-01 | Screw | | | |
| 17 | 4 | 1811-0191-01 | Nut | | | |
| 18 | 1 | 1132-0729-01 | Battery | | | |
| 19 | 1 | 1132-0532-01 | Solenoid | | | |
| 20 | 5 | 1132-0489-01 | Screw | | | |
| 21 | 2 | 1132-0238-01 | Retainer | | | |
| 22 | 1 | 9795-3631-02 | Nut | | | |
| 23 | 1 | 1132-0358-01 | Grommet | | | |
| 24 | 1 | 1132-0078-01 | Starter cable | | | |
| 25 | 1 | 1132-0529-01 | Console wire harness | | | |
| 26 | 3 | 1132-0336-01 | J-clip | | | |
| 27 | 1 | 1132-0859-01 | Rubber pad | | | |
| 28 | 2 | 9683-0025-02 | Lock washer | | | |
| 29 | 2 | 9988-3516-16 | Screw | | | |
| 30 | 1 | 1132-0831-01 | Interlock harness | | | |
| 31 | 1 | 1132-0749-01 | Pto switch | | | |
| 32 | 1 | 1132-0753-01 | Light switch | | | |
| 33 | 1 | 1132-0653-01 | Ignition switch | | | |
| 34 | 2 | 1134-2848-01 | Ignition key | | | |
| 35 | 1 | 1132-0550-01 | Lights harness | | | |
| 36 | 1 | 1132-0801-01 | Cover | | | |
| 37 | 3 | 1132-0899-01 | Bulb | | | |
| 38 | 1 | 1132-0034-01 | Screw | | | |
| 39 | 1 | 1132-0211-01 | Fuse | | | |
| 40 | 1 | 1132-0544-01 | Grommet | | | |
| 41 | 1 | 1132-0720-01 | Switch | | | |
| 43 | 2 | 9863-3516-16 | Screw | | | |
| 44 | 1 | 1132-0725-01 | Switch | | | |
| 45 | 1 | 1132-0784-01 | Grommet | | | |
| 46 | 1 | 1132-0756-01 | Grommet | | | |
| 99 | 1 | 1132-0873-01 | Voltage sensor plug | | Ej ill/not ill. | |



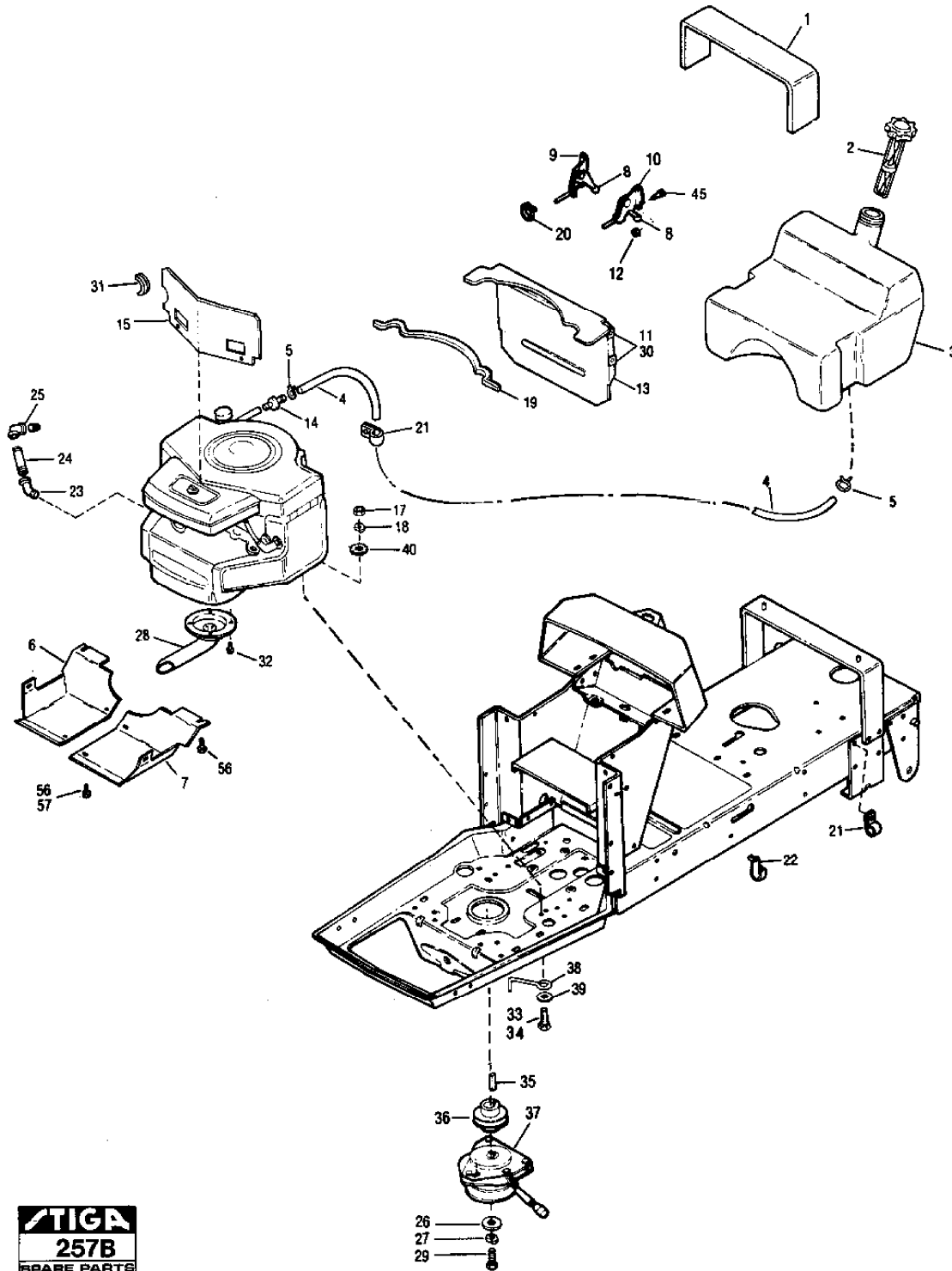
Section: 1648H-TRM107-TRH107 ENGINE

| Pos. | Quantity | | Spare part No | Description | Kit | Notes | New |
|------|----------|-----------|---------------|------------------|-----|-------|-----|
| | | 8131 | | | | | |
| | | 8119 8138 | | | | | |
| 1 | 1 | 1 | 1132-0262-01 | Fuel tank pad | | | |
| 2 | 1 | 1 | 1132-0825-01 | .Fuel tank gauge | | | |
| 3 | 1 | 1 | 1132-0850-01 | Fuel tank | | | |
| 4 | 1 | 1 | 1132-0542-01 | Fuel line | | | |
| 5 | 2 | 2 | 1132-0475-01 | Hose clamp | | | |
| 6 | 1 | 1 | 1132-0658-01 | Heat shield-R.H. | | | |
| 7 | 1 | 1 | 1132-0657-01 | Heat shield-L.H. | | | |
| 8 | 2 | 2 | 1132-0712-01 | Knob | | | |
| 9 | 1 | 1 | 1132-0810-01 | Throttle control | | | |
| 10 | 1 | 1 | 1132-0809-01 | Choke control | | | |
| 11 | 8 | 8 | 1811-0138-01 | Screw | | | |
| 12 | 4 | 4 | 1811-0191-01 | Nut | | | |
| 13 | 1 | 1 | 1132-0549-01 | Heat shield | | | |
| 14 | 1 | 1 | 1132-0111-01 | Fuel filter | | | |
| 15 | 1 | 1 | 1132-0659-01 | Heat shield | | | |
| 17 | 4 | 4 | 9795-3631-02 | Nut | | | |
| 18 | 4 | 4 | 9683-0030-02 | Lock washer | | | |
| 19 | 1 | 1 | 1132-0129-01 | Sealing strip | | | |
| 20 | 5 | 5 | 1811-0350-01 | Cableholder | | | |
| 21 | 2 | 2 | 1132-0336-01 | J-clip | | | |
| 22 | 3 | 3 | 1132-0278-01 | Cable hanger | | | |
| 23 | 1 | 1 | 1132-0220-01 | Elbow | | | |
| 24 | 1 | 1 | 1132-0222-01 | Pipe nipple | | | |
| 25 | 1 | 1 | 1132-0221-01 | Street elbow | | | |
| 26 | 1 | 1 | 1132-0267-01 | Special washer | | | |
| 27 | 1 | 1 | 9683-0045-02 | Washer | | | |
| 28 | 1 | 1 | 1132-0680-01 | Exhaust pipe | | | |
| 29 | 1 | 1 | 1132-0266-01 | Screw | | | |
| 30 | 5 | 5 | 1132-0033-01 | Nut | | | |
| 31 | 1 | 1 | 1132-0660-01 | Trim | | | |
| 32 | 4 | 4 | 1811-0170-01 | Screw | | | |
| 33 | 1 | 1 | 9988-3651-12 | Screw | | 51 mm | |
| 34 | 3 | 3 | 9988-3638-12 | Screw | | 38 mm | |
| 35 | 1 | 1 | 1132-0360-01 | Key | | | |
| 36 | 1 | | 1132-0296-01 | Sheave | | | |
| 36 | | 1 | 1132-0191-01 | Sheave | | | |
| 37 | 1 | 1 | 1132-0685-01 | Electric clutch | | | |
| 38 | 1 | 1 | 1132-0679-01 | Clutch retainer | | | |
| 39 | 1 | 1 | 9699-0028-02 | Flat washer | | | |
| 40 | 1 | 1 | 9678-0009-02 | Lock washer | | | |
| 45 | 4 | 4 | 1132-0488-01 | Screw | | | |
| 56 | 4 | 4 | 1132-0689-01 | Screw | | | |
| 57 | 2 | 2 | 9727-3541-22 | Nut | | | |



Section: 1648H-TRM107-TRH107 ENGINE

| Pos. | Quantity | | Spare part No | Description | Kit | Notes | New |
|------|----------|-----------|---------------|------------------|-----|-------|-----|
| | | 8131 | | | | | |
| | | 8119 8138 | | | | | |
| 1 | 1 | 1 | 1132-0262-01 | Fuel tank pad | | | |
| 2 | 1 | 1 | 1132-0825-01 | .Fuel tank gauge | | | |
| 3 | 1 | 1 | 1132-0850-01 | Fuel tank | | | |
| 4 | 1 | 1 | 1132-0542-01 | Fuel line | | | |
| 5 | 2 | 2 | 1132-0475-01 | Hose clamp | | | |
| 6 | 1 | 1 | 1132-0658-01 | Heat shield-R.H. | | | |
| 7 | 1 | 1 | 1132-0657-01 | Heat shield-L.H. | | | |
| 8 | 2 | 2 | 1132-0712-01 | Knob | | | |
| 9 | 1 | 1 | 1132-0810-01 | Throttle control | | | |
| 10 | 1 | 1 | 1132-0809-01 | Choke control | | | |
| 11 | 8 | 8 | 1811-0138-01 | Screw | | | |
| 12 | 4 | 4 | 1811-0191-01 | Nut | | | |
| 13 | 1 | 1 | 1132-0549-01 | Heat shield | | | |
| 14 | 1 | 1 | 1132-0111-01 | Fuel filter | | | |
| 15 | 1 | 1 | 1132-0659-01 | Heat shield | | | |
| 17 | 4 | 4 | 9795-3631-02 | Nut | | | |
| 18 | 4 | 4 | 9683-0030-02 | Lock washer | | | |
| 19 | 1 | 1 | 1132-0129-01 | Sealing strip | | | |
| 20 | 5 | 5 | 1811-0350-01 | Cableholder | | | |
| 21 | 2 | 2 | 1132-0336-01 | J-clip | | | |
| 22 | 3 | 3 | 1132-0278-01 | Cable hanger | | | |
| 23 | 1 | 1 | 1132-0220-01 | Elbow | | | |
| 24 | 1 | 1 | 1132-0222-01 | Pipe nipple | | | |
| 25 | 1 | 1 | 1132-0221-01 | Street elbow | | | |
| 26 | 1 | 1 | 1132-0267-01 | Special washer | | | |
| 27 | 1 | 1 | 9683-0045-02 | Washer | | | |
| 28 | 1 | 1 | 1132-0680-01 | Exhaust pipe | | | |
| 29 | 1 | 1 | 1132-0266-01 | Screw | | | |
| 30 | 5 | 5 | 1132-0033-01 | Nut | | | |
| 31 | 1 | 1 | 1132-0660-01 | Trim | | | |
| 32 | 4 | 4 | 1811-0170-01 | Screw | | | |
| 33 | 1 | 1 | 9988-3651-12 | Screw | | 51 mm | |
| 34 | 3 | 3 | 9988-3638-12 | Screw | | 38 mm | |
| 35 | 1 | 1 | 1132-0360-01 | Key | | | |
| 36 | 1 | | 1132-0296-01 | Sheave | | | |
| 36 | | 1 | 1132-0191-01 | Sheave | | | |
| 37 | 1 | 1 | 1132-0685-01 | Electric clutch | | | |
| 38 | 1 | 1 | 1132-0679-01 | Clutch retainer | | | |
| 39 | 1 | 1 | 9699-0028-02 | Flat washer | | | |
| 40 | 1 | 1 | 9678-0009-02 | Lock washer | | | |
| 45 | 4 | 4 | 1132-0488-01 | Screw | | | |
| 56 | 4 | 4 | 1132-0689-01 | Screw | | | |
| 57 | 2 | 2 | 9727-3541-22 | Nut | | | |



Section: 1648H-TRM107-TRH107 MOWER DECK 42", 48"

| Pos. | Quantity | | Spare part No | Description | Kit | Notes | New |
|------|----------|------|---------------|--------------|-----|---------------------|-----|
| | | (FR) | | | | | |
| | 8119 | 8119 | | | | | |
| | 8138 | 8138 | 8131 | | | | |
| | | | | 1132-0880-01 | | Roller | |
| 1 | | 1 | | 1132-0687-01 | | Vee-belt | |
| 1 | 1 | 1 | | 1132-0686-01 | | V-belt | |
| 2 | 1 | 1 | | 1132-0245-01 | | Belt cover-L.H. | |
| 2 | | | 1 | 1132-0633-01 | | Belt cover-L.H. | |
| 3 | 1 | 1 | | 1132-0244-01 | | Belt cover-R.H. | |
| 3 | | | 1 | 1132-0632-01 | | Belt cover-R.H. | |
| 4 | 8 | 8 | 8 | 1811-0755-01 | | Screw | |
| 5 | | 1 | | 1132-0508-01 | | Roller shaft | |
| 5 | 1 | | 1 | 1132-0509-01 | | Roller shaft | |
| 6 | 1 | | 1 | 1132-0559-01 | | Shaft | |
| 7 | 8 | 8 | 8 | 9988-3725-16 | | Screw | |
| 8 | 14 | 13 | 14 | 9743-3721-32 | | Nut | |
| 9 | 4 | 2 | 3 | 9699-0029-02 | | Flat washer | |
| 10 | 1 | 1 | 1 | 1132-0450-01 | | Idler pulley | |
| 11 | 1 | 1 | 1 | 9988-3951-12 | | Screw | |
| 12 | 5 | 5 | 5 | 9743-3921-32 | | Nut | |
| 13 | 3 | 4 | 3 | 1132-0693-01 | | Screw | |
| 14 | 2 | 3 | 2 | 1132-0695-01 | | Nut | |
| 15 | 1 | 1 | 1 | 1132-0260-01 | | Support bar | |
| 16 | 1 | 1 | 1 | 1132-0227-01 | | Support bracket | |
| 17 | 5 | 5 | 5 | 9699-0104-02 | | Washer | |
| 18 | 1 | 1 | 1 | 1132-0581-01 | | Latch pin | |
| 19 | 4 | 4 | 4 | 9699-0038-02 | | Flat washer | |
| 20 | 4 | 2 | 2 | 9699-0038-02 | | Flat washer | |
| 21 | 4 | | 4 | 1132-0049-01 | | Nylon washer | |
| 22 | 2 | 2 | 2 | 1132-0880-01 | | Roller | |
| 23 | 2 | 2 | 2 | 1132-0236-01 | | Spacer | |
| 24 | 1 | 1 | 1 | 1132-0446-01 | | Idler pulley | |
| 25 | 1 | 1 | 1 | 1132-0599-01 | | Spring | |
| 26 | 3 | 3 | 3 | 1811-0190-01 | | Grease nipple | |
| 27 | 3 | 3 | 3 | 1132-0015-01 | | Locking nut | |
| 28 | 3 | 3 | 3 | 1132-0536-01 | | Blade sheave | |
| 29 | 2 | 2 | 2 | 1132-0017-01 | | Special washer | |
| 30 | 1 | 1 | 1 | 1132-0226-01 | | Mower support | |
| 31 | 2 | 2 | 2 | 1132-0525-01 | | Cotter ring | |
| 32 | 2 | 2 | 2 | 1132-0535-01 | | Clevis pin | |
| 33 | 2 | 2 | 2 | 1132-0627-01 | | Spacer | |
| 34 | 2 | 2 | 2 | 9988-3932-16 | | Screw | |
| 35 | 12 | 12 | 12 | 1811-0754-01 | | Screw | |
| 36 | 1 | 1 | 1 | 1811-0283-01 | | Pin | |
| 37 | 1 | | 1 | 1132-0589-01 | | Lift rod | |
| 38 | 3 | 1 | 3 | 1811-0122-01 | | Cotter pin | |
| 39 | 1 | | 1 | 1132-0132-01 | | Spacer | |
| 40 | 1 | | 1 | 1132-0554-01 | | Lift link | |
| 41 | 10 | 10 | 10 | 9743-3621-32 | | Nut | |
| 42 | 5 | 5 | 5 | 9699-0028-02 | | Flat washer | |
| 43 | 1 | 1 | 1 | 1132-0114-01 | | Hinge bracket | |
| 44 | 1 | 1 | 1 | 1132-0604-01 | | Discharge deflector | |
| 45 | 2 | 2 | 2 | 1811-0208-01 | | Flat washer | |
| 46 | 6 | 6 | 6 | 1132-0030-01 | | Ball bearing | |
| 47 | 3 | 3 | 3 | 1132-0088-01 | | Spindle housing | |
| 48 | 3 | 3 | 3 | 1132-0286-01 | | Spacer | |
| 49 | 3 | 3 | 3 | 1132-0156-01 | | Special washer | |
| 50 | 3 | 3 | 3 | 1132-0192-01 | | Shaft | |
| 51 | 3 | 3 | 3 | 9600-0050-00 | | Key | |

Section: 1648H-TRM107-TRH107 MOWER DECK 42", 48"

| Pos. | Quantity | | Spare part No | Description | Kit | Notes | New |
|------|----------|------|---------------|--------------|-----|---------------------|-----|
| | | (FR) | | | | | |
| | 8119 | 8119 | | | | | |
| | 8138 | 8138 | 8131 | | | | |
| 52 | 3 | 3 | | 1132-0113-01 | | Cutter blade | |
| 52 | | | 3 | 1132-0628-01 | | Cutter blade | |
| 53 | 3 | 3 | 3 | 1132-0090-01 | | Plate | |
| 54 | 6 | 6 | 6 | 9683-0035-02 | | Lock washer | |
| 55 | 6 | 6 | 6 | 9987-5225-16 | | Screw | |
| 56 | 1 | | 1 | 1132-0593-01 | | Lift shaft | |
| 57 | 1 | | 1 | 1132-0585-01 | | Height adjustm. arm | |
| 57 | | 1 | | 1132-0884-01 | | Height adjustm. arm | |
| 58 | 1 | | 1 | 9988-3764-12 | | Screw | |
| 59 | 1 | 1 | 1 | 1132-0451-01 | | Sleeve bearing | |
| 60 | 3 | 3 | 3 | 1132-0442-01 | | Thrust washer | |
| 61 | 1 | 1 | 1 | 1811-0204-01 | | Flat washer | |
| 62 | 1 | 1 | 1 | 1132-0040-01 | | Spring | |
| 63 | 2 | 2 | 2 | 1132-0233-01 | | Gauge wheel | |
| 64 | 8 | | 8 | 1811-0182-01 | | Washer | |
| 64 | | 9 | | 9699-0042-02 | | Flat washer | |
| 65 | 1 | 1 | | 1132-0596-01 | | Support link | |
| 65 | | | 1 | 1132-0665-01 | | Support link | |
| 66 | 4 | 3 | 4 | 1811-0123-01 | | Cotter pin | |
| 67 | 1 | 1 | | 1132-0587-01 | | Wheel support shaft | |
| 67 | | | 1 | 1132-0664-01 | | Wheel support shaft | |
| 68 | 1 | 1 | 1 | 1132-0586-01 | | Quadrant | |
| 69 | 1 | 1 | 1 | 1132-0062-01 | | Spacer | |
| 70 | 2 | 2 | 2 | 9988-3732-12 | | Screw | |
| 71 | 2 | 2 | 2 | 9988-3619-16 | | Screw | |
| 72 | 1 | 1 | 1 | 1132-0225-01 | | Adjusting rod | |
| 73 | 1 | 1 | 1 | 1132-0080-01 | | Clevis pin | |
| 74 | 2 | 2 | 2 | 9795-4131-02 | | Nut | |
| 75 | 1 | 1 | 1 | 1132-0228-01 | | Pivot block | |
| 76 | 1 | 1 | 1 | 1811-0169-01 | | Retainer | |
| 77 | 1 | | | 1132-0592-01 | | Support bracket | |
| 77 | | 1 | | 1132-0616-01 | | Support bracket | |
| 77 | | | 1 | 1132-0666-01 | | Support bracket | |
| 78 | 3 | 3 | 3 | 1132-0624-01 | | Flat washer | |
| 79 | 1 | 1 | | 1132-0263-01 | | Belt guide | |
| 79 | | | 1 | 1132-0626-01 | | Belt guide | |
| 80 | 2 | 2 | 2 | 1132-0239-01 | | Doubler plate | |
| 81 | 2 | 2 | 2 | 1132-0240-01 | | Shaft support | |
| 82 | 4 | 4 | 4 | 9988-3625-16 | | Screw | |
| 83 | 2 | 2 | 2 | 1132-0524-01 | | Cotter ring | |
| 84 | 1 | 1 | 1 | 1132-0091-01 | | Clevis pin | |
| 85 | 1 | 1 | 1 | 1132-0006-01 | | Clevis pin | |
| 86 | 1 | 1 | 1 | 1132-0297-01 | | Adjustment bracket | |
| 87 | | 1 | | 1132-0306-01 | | Lift cable | |
| 87 | 1 | | 1 | 1132-0597-01 | | Lift cable | |
| 88 | 1 | 1 | 1 | 1132-0441-01 | | Idler arm | |
| 89 | 1 | 1 | 1 | 9988-3757-12 | | Screw | |
| 90 | 1 | 1 | 1 | 1132-0440-01 | | Idler arm | |
| 91 | 1 | 1 | 1 | 1132-0445-01 | | Adjusting knob | |
| 92 | 1 | 1 | 1 | 1132-0444-01 | | Eye bolt | |
| 93 | 1 | 1 | 1 | 1132-0443-01 | | Special washer | |
| 94 | 2 | 2 | 2 | 1132-0449-01 | | Idler pulley | |
| 95 | | 1 | | 1132-0698-01 | | Base | |
| 95 | 1 | | | 1132-0598-01 | | Base | |
| 95 | | | 1 | 1132-0668-01 | | Base | |
| 96 | 6 | | 6 | 1811-0120-01 | | Cotter pin | |

Section: 1648H-TRM107-TRH107 MOWER DECK 42", 48"

| Pos. | Quantity | Spare part No | Description | Kit | Notes | New |
|------|----------|---------------|-------------|--------------|----------------|-----|
| | | (FR) | | | | |
| | 8119 | 8119 | | | | |
| | 8138 | 8138 | 8131 | | | |
| 97 | 1 | 1 | 1 | 1132-0631-01 | Shaft retainer | |
| 98 | 1 | | 1 | 1132-0591-01 | Lift rod | |
| 99 | 1 | 1 | 1 | 9988-3751-12 | Screw | |
| 100 | | | 1 | 1132-0667-01 | Mower guard | |
| 100 | 1 | | | 1132-0603-01 | Mower guard | |
| 101 | 1 | 1 | 1 | 1132-0042-01 | Wave washer | |
| 102 | 2 | 2 | 2 | 9988-3983-12 | Screw | |
| 103 | 2 | 2 | 2 | 1132-0688-01 | Spacer | |
| 104 | 2 | 2 | 2 | 1132-0647-01 | Belt guide | |
| 105 | 2 | 2 | 2 | 1132-0098-01 | Thrust washer | |

