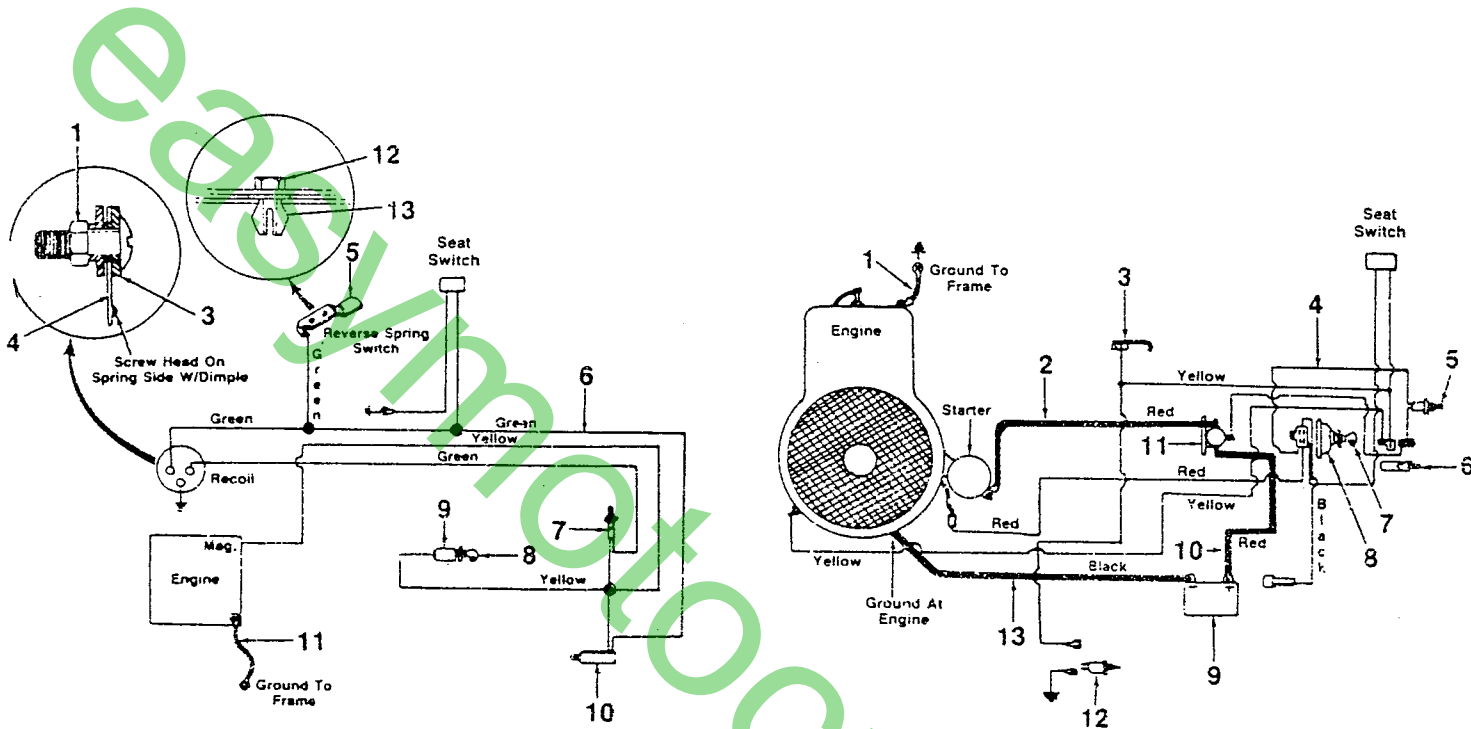


MTD 504

easymicroculture

Models 501, 502, 511 and 512 (Recoil Start)

Models 504 thru 508 and 514 (Electric Start)

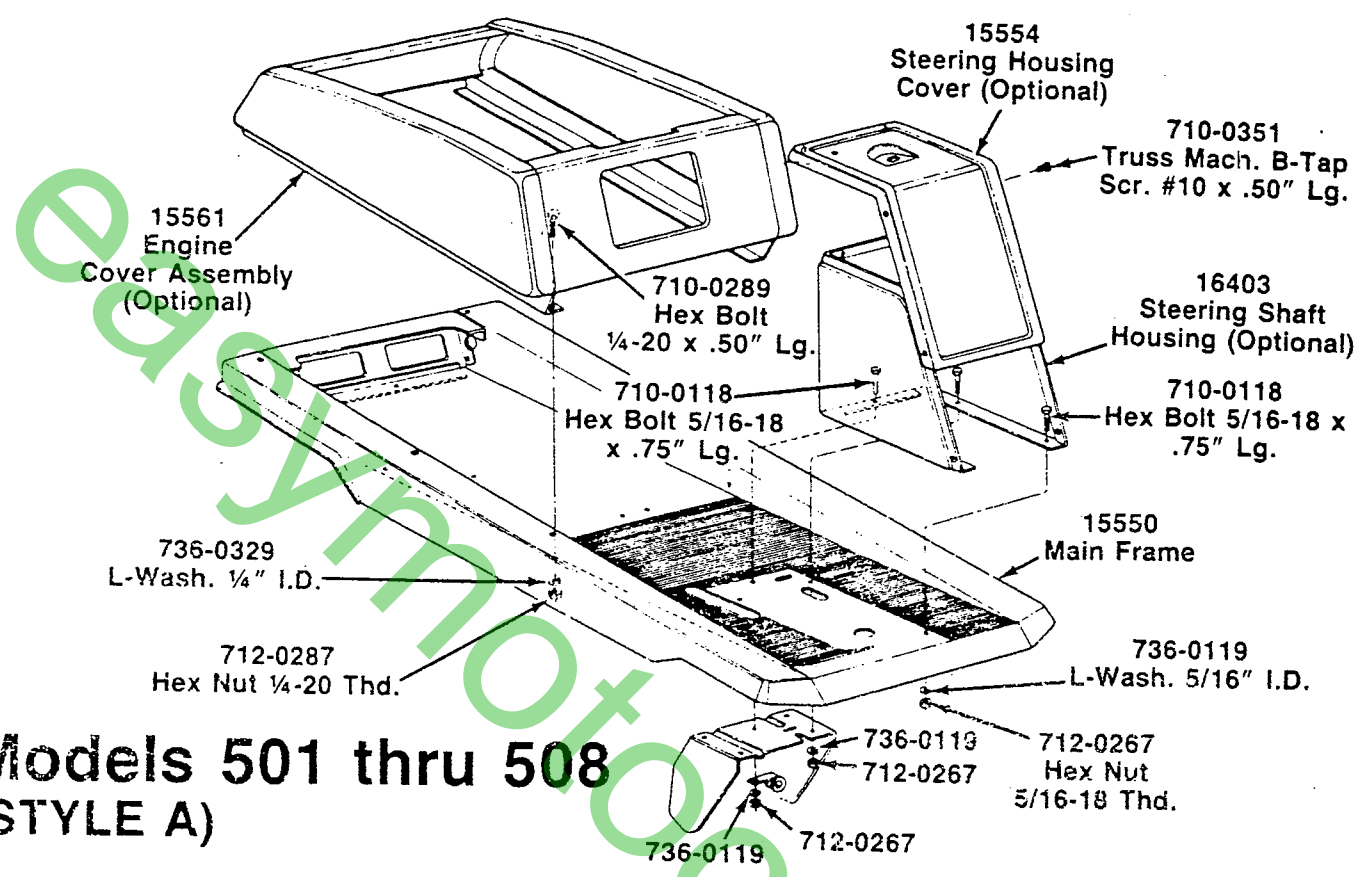


**PARTS LIST FOR ELECTRICAL SYSTEM
MODELS 501, 502, 511 AND 512 RIDING MOWERS**

**PARTS LIST FOR ELECTRICAL SYSTEM
MODELS 504 THRU 508 AND 514 RIDING MOWERS**

REF. NO.	PART NO.	DESCRIPTION	NEW PART
1	712-0121	Hex Nut #10-24 Thd.	
2	710-0425	Truss Mach. Scr. #10-24 x .62" Lg.*	
3	736-0338	Fiber Washer	
4	732-0257	Switch Spring—Recoil	
5	732-0420	Spring Switch—Reverse	
6	725-1182	Wire Harness	
7	725-0269	Safety Switch—Red N.C.—Clutch	
8	725-0201	Ignition Key	
9	725-0464	Ignition Switch	
10	725-0819	Safety Switch—P.T.O.	
11	725-0882	Ground Wire	
12	710-0425	Truss Mach. Scr. #10-24	
13	726-0206	Push-In Nut #10	

REF. NO.	PART NO.	DESCRIPTION	NEW PART
1	725-0977	Elec. Wire 8 Ga.*x 9.0" Lg.	
2	725-0424	Elec. Wire	
3	732-0420	Spring Switch—Reverse	
4	725-1143	Wire Harness	
5	725-0268	Safety Switch—Black N.O.	
6	725-0819	Safety Switch	
7	725-0201	Ignition Key	
8	725-0267	Ignition Switch	
9	725-0514	Battery 12V	
10	725-0927	Elec. Wire Red w/Boot	
11	725-0771	Solenoid	
12	725-0269	Safety Switch Red N.C.	
	725-1001	Safety Switch Red—(36" Deck)	
13	725-0975	Elec. Wire 8 Ga. x 9.0" Lg.	
14	725-0765	Elec. Wire	
15	725-0977	Elec. Wire 11.5" Lg.	



**Models 501 thru 508
(STYLE A)**

Models 501 thru 508, 511 thru 514

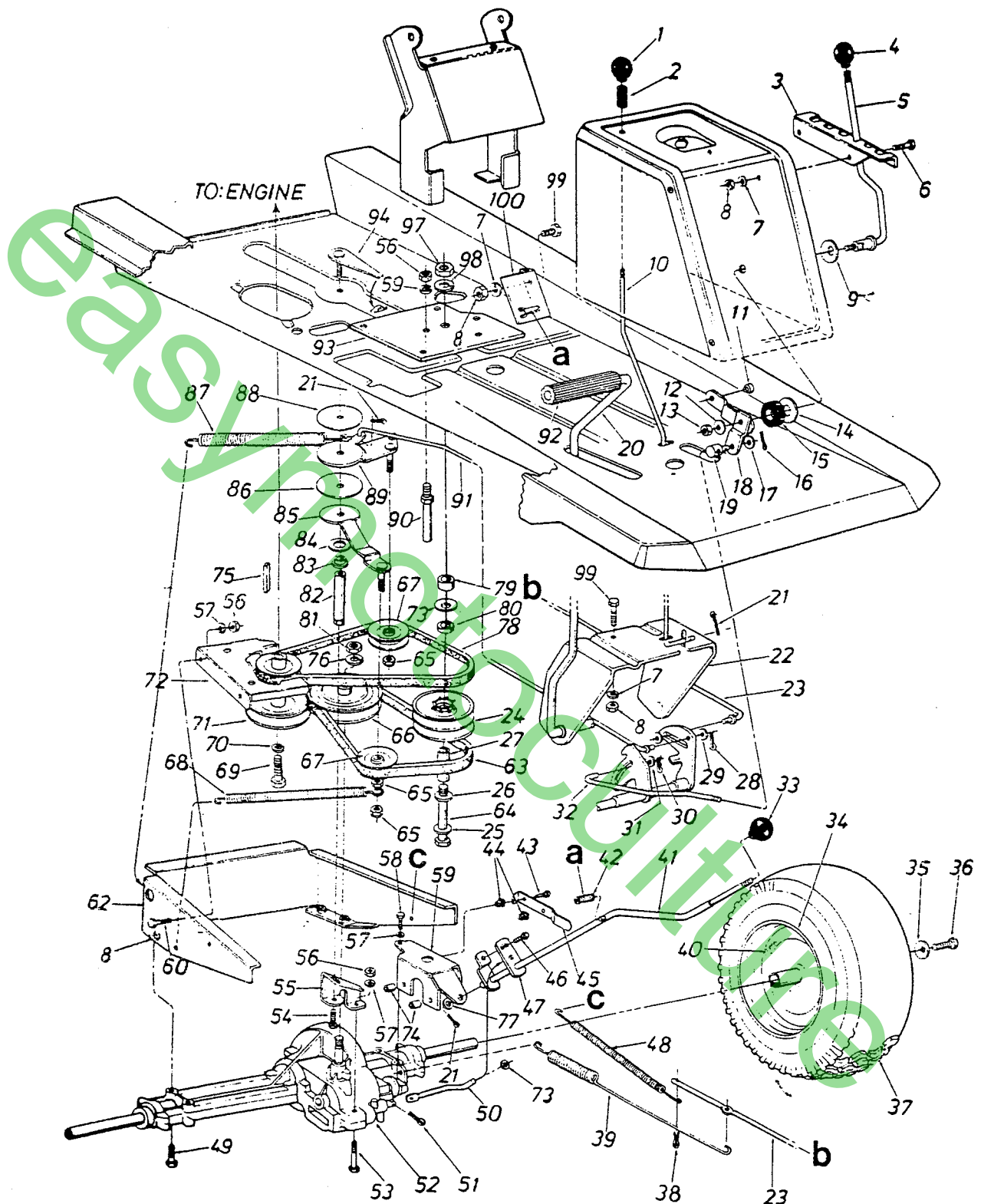
PARTS LIST FOR MODELS 501 THRU 508, 511 THRU 514 RIDING MOWERS

REF. NO.	PART NO.	COLOR CODE	DESCRIPTION	NEW PART	REF. NO.	PART NO.	COLOR CODE	DESCRIPTION	NEW PART
1	—		Engine		46	736-0343		Fl-Wash. .330" I.D. x 1.25" O.D.	
2	15572		Engine Mounting Plate						
3	710-0158		Hex Bolt 5/16-24 x 1.25" Lg.*		47	736-0392		Flange Wash. .320" I.D. x .750" O.D.	
4	736-0231		Fl-Wash. .330" I.D. x 1.125" O.D.		49	15604		Seat Support & Frame Brkt.	
5	722-0153		Engine Mounting Grommet		50	710-0118		Hex Bolt 5/16-18 x .75" Lg.*	
6	750-0539		Spacer .315" I.D. x .50" O.D. x .520" Lg.		55	710-0289		Hex Bolt 1/4-20 x .50" Lg.*	
7	726-0209		Cable Tie 30.6 Lg.		56	—		Refer to Page 14	
8	710-0502		Hex Wash. Hd. Self-Tap Scr. 3/8-16 x 1.25" Lg.		57	831-0796		Throttle Control Box Ass'y. (5 H.P.)	
9	723-0155		Gas Gauge			831-0823		Throttle Control Box Ass'y. (8, 10 & 11 H.P.)	
10	751-0368		Fuel Tank		62	725-0201		Ignition Key	
11	751-0173		Gas Line		63	725-0267		Ignition Switch (Electric Start)	
12	726-0207		Hose Clamp—.406" Dia.			725-0464		Ignition Switch†	
14	—		Refer to Page 14		64	746-0630		Throttle Control Wire—35" (5 H.P.)	
15	—		Refer to Page 14						
16	—		Refer to Page 14			746-0503		Throttle Control Wire (8, 10 & 11 H.P.)	
17	—		Refer to Page 14						
18	—		Refer to Page 14		65	16483		Front Seat Bracket	
19	—		Refer to Page 14		66	15606		Rear Seat Bracket	
20	—		Refer to Page 14		67	736-0242		Bell-Wash. .345" I.D. x .88" O.D.	
21	—		Refer to Page 14						
22	735-0220		Floor Mat		68	710-0118		Hex Bolt 5/16-18 x .75" Lg.*	
23	710-0779		Truss Mach. AB-Tap Scr. #10 x .50" Lg.		69	712-0267		Hex Nut 5/16-18 Thd.*	
24	731-0757		Convolved Conduit		70	710-0601		Hex Self-Tap Scr. 5/16-18 x .75" Lg.	
25	726-0175		Clamp		71	736-0329		L-Wash. 1/4" I.D.*	
26	736-0119		L-Wash. 5/16" I.D.*		72	732-0431		Seat Spring	
27	712-0123		Hex Nut 5/16-24 Thd.*		73	736-0160		Fl-Wash. .531" I.D. x .930" O.D.	
28	15562		Clutch-Brake Pedal Ass'y.						
29	710-0118		Hex Bolt 5/16-18 x .75" Lg.*		74	731-0555		Grommet	
30	712-0267		Hex Nut 5/16-18 Thd.*		75	710-0623		Hex Wash. Hd. Tap Scr. 3/8-16 x 3/4" Lg.	
31	736-0119		L-Wash. 5/16" I.D.*						
32	15588		Mounting Brkt. Variable Speed Pulley		77	710-0118		Hex Bolt 1/4-20 x .75" Lg.*	
33	736-0329		L-Wash. 1/4" I.D.*		78	736-0242		Bell-Wash. .345" I.D. x .88" O.D.	
34	712-0287		Hex Nut 1/4-20 Thd.*						
35	737-0125		90° Elbow Male To Female		79	712-0158		Hex Cent. L-Nut 5/16-18 Thd.	
36	731-0511		Trim Strip 18" Lg.		80	15607		Seat Pivot Bracket	
37	746-0614		Choke Control		81	757-0343		Seat Ass'y. Comp.	
39	15553		Transaxle Support Ass'y.		82	710-0894		Hex Wash. Hd. TT-Tap Scr. 8-32 x .50" Lg. (5 H.P.)	
40	710-0118		Hex Bolt 5/16-18 x .75" Lg.*		83	751-0339		Exhaust Pipe Ass'y. (5 H.P.)	
41	15571		Rear Frame Panel		85	11053		Switch Brkt. Ass'y.†	
42	710-0621		Hex Bolt 5/16-18 x .50" Lg.*		86	712-0147		Speed Nut #10-24 U-Type†	
43	721-0207		Exhaust Gasket (8 H.P.)		87	712-0121		Hex Nut #10-24 Thd.*†	
	721-0208		Exhaust Gasket (10 & 11 H.P.)		88	736-0338		Fiber Washer†	
44	751-0412		Muffler Ass'y. (8 H.P.)		90	710-0351		Truss Mach. Scr. #10 x .50" Lg.*†	
	751-0425		Spark Arrester For 8 H.P. Muffler		91	11263		Plastic Handle (Starter Rope)†	
	751-0413		Muffler Ass'y. (10 & 11 H.P.)		92	15655		Rope Handle Bracket†	
	751-0426		Spark Arrester For 10 & 11 H.P. Muffler		93	712-0267		Hex Nut 5/16-18 Thd.*†	
45	738-0635		Shld. Bolt (8 H.P.)		94	736-0119		L-Wash. 5/16" I.D.*†	
	738-0636		Shld. Bolt (10 & 11 H.P.)		95	732-0257		Switch Spring†	

†Recoil Start Models Only.

*For faster service obtain standard nuts, bolts and washers locally. If these items cannot be obtained locally, order by part number and size as shown on parts list.

Models 501 thru 508, 511 thru 514



****REAR WHEEL CHART**

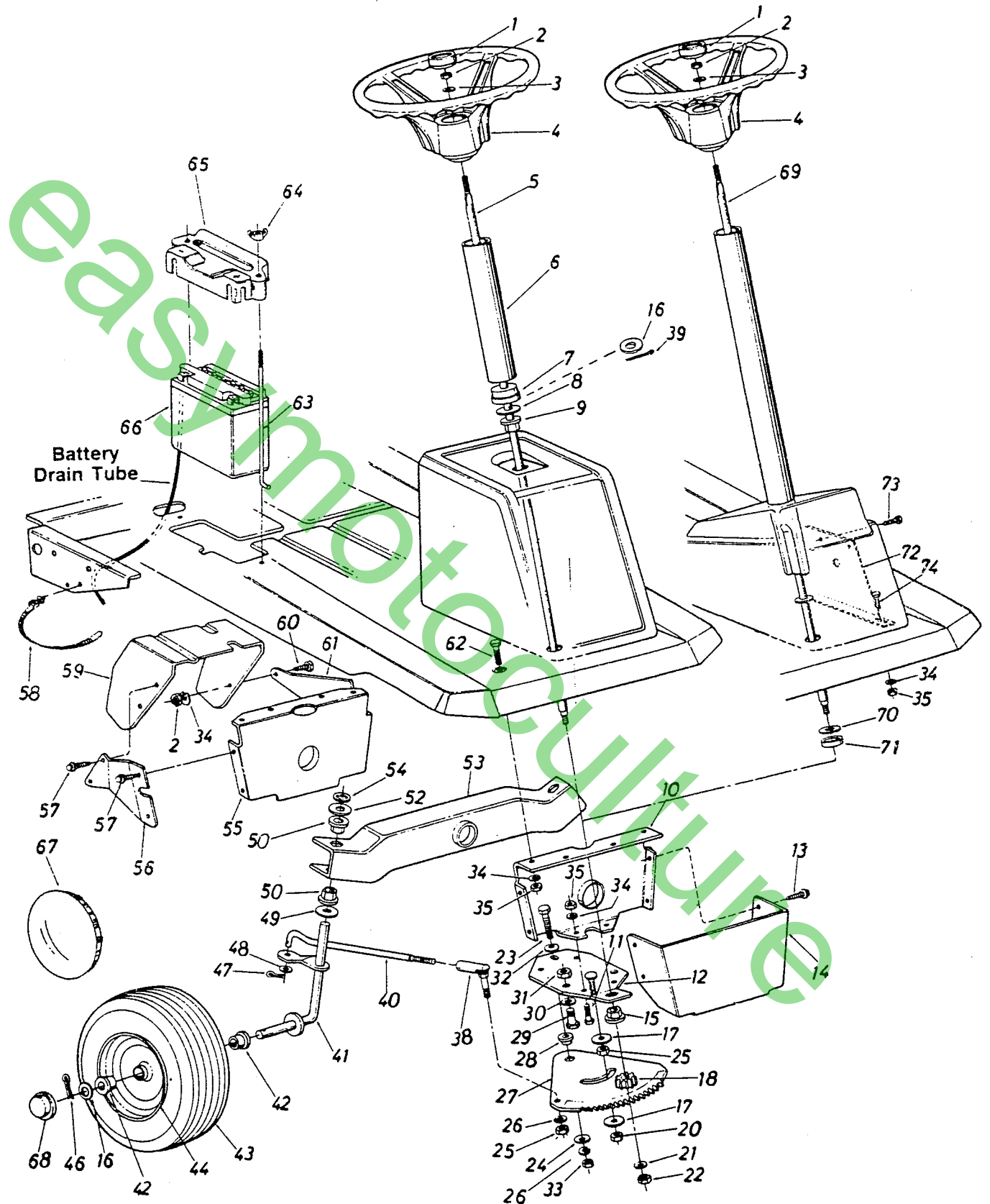
Description	16 x 6.50	15 x 6.0	13 x 5.0
Wheel Assembly Comp.	734-0591	734-0524	734-0523
Tire Only	734-0275	734-0427	734-0298
Rim Only	734-0594	734-0521	734-0517

Models 501 thru 508, 511 thru 514

PARTS LIST FOR MODELS 501 THRU 508, 511 THRU 514 RIDING MOWERS

REF. NO.	PART NO.	COLOR CODE	DESCRIPTION	NEW PART	REF. NO.	PART NO.	COLOR CODE	DESCRIPTION	NEW PART
1	720-0187		Ball Knob 1/4-20 Thd. 1.25"		44	726-0206		Push-in Nut #10	
2	732-0437		Compression Spring		45	732-0420		Spring Switch	
3	16389		Speed Index Bracket		46	710-0289		Hex Bolt 1/4-20 x .50" Lg.*	
4	720-0165		Ball Knob		47	16476		Shift Lever Adjusting Link	
5	747-0652		Speed Control Lever		48	732-0487		Ext. Spring 8 1/4" Lg.	
6	710-0323		Truss Mach. Scr. 5/16-18 x .75" Lg.*		49	710-0378		3/16-18 x 2.50 Hex Bolt	
7	736-0119		L-Wash. 5/16" I.D.*		50	747-0668		Shift Rod	
8	712-0267		Hex Nut 5/16-18 Thd.*		51	714-0149		Intern. Cotter Pin	
9	736-0253		Bell-Wash. .345" I.D. x .88"		52	717-0775V		Transaxle (See Breakdown)	
10	747-0427		Brake Locking Rod (501 thru 508)		53	710-0136		Hex Bolt 1/4-20 x 1.75" Lg.*	
	747-0450		Brake Locking Rod (511 thru 514)		54	710-0180		Hex Bolt 3/8-24 x .75" Lg.*	
11	731-0493		Cap		55	15564		Torque Rod Bracket	
12	736-0242		Bell-Wash. .345" I.D. x .08"		56	712-0287		Hex Nut 1/4-20 Thd.*	
13	712-0158		Hex Cent. L-Nut 5/16-18 Thd.		57	736-0329		L-Wash. 1/4" I.D.*	
14	736-0100		Fl-Wash. .531" I.D. x 1.25" O.D. (501 thru 508)		58	710-0965		Self-Tap Mach. Scr. Type "C" 1/4-20 x 1.37" Lg.	
	736-0154		Fl-Wash. .50" I.D. x 1.5" O.D. (511 thru 514)		59	16478		Shift Lever Support Brkt.	
15	735-0129		Rubber Washer		60	710-0597		Hex Bolt 1/4-20 x 1.00" Lg.*	
16	714-0145		Intern. Cotter Pin 1/2" Dia.		62	15553		Transaxle Support Ass'y.	
17	736-0275		Fl-Wash. .34" I.D. x .68" O.D.		63	754-0240		V-Belt	
18	16396		Speed Control Lever Brkt. Ass'y.		64	710-0693		Hex Bolt 3/8-16 x 4.5" Lg.	
19	711-0677		Ferrule—Engagement		65	712-0116		Hex Ins. L-Nut 3/8-24 Thd.	
20	15562		Clutch/Brake Pedal Ass'y.		66	756-0390		5/8 V-Pulley .500" I.D. x 6"	
21	714-0507		Cotter Pin 3/32" Dia. x .75"*		67	756-0116		V-Belt Idler .38" I.D. x 3.06"	
22	15562		Clutch/Brake Pedal Ass'y.		68	732-0308		Ext. Spring .50" O.D. x 6.37"	
23	747-0431		Brake Rod		69	710-0314		Hex Bolt 7/16-20 x 1.00" Lg.	
24	717-0884		Variable Speed Pulley Ass'y.		70	736-0171		L-Wash. 7/16" I.D.	
25	736-0247		Washer .40" I.D. x 1.25" O.D.		71	756-0391		Engine Pulley .500" O.D. & 3.56" O.D.	
26	741-0405		Thrust Brg. 1.25" O.D. x .56" I.D.		72	15623		Upper Eng. Belt Guard	
27	750-0705		Spacer Sleeve 2.71"		73	736-0219		Bell-Wash. .4" I.D. x 1.12" O.D.	
28	714-0115		Cotter Pin 1/8" Dia. x 1.25"*		74	750-0686		Spacer .256" I.D. x .50" O.D.	
29	736-0275		Fl-Wash. .34" I.D. x .60" O.D.		75	714-0114		Sq.-Key 1/4" x 2.00" Lg.	
30	714-0104		Intern. Cot-Pin 5/16" Dia.		76	736-0921		L-Wash. 1/2" I.D.*	
31	736-0275		Fl-Wash. .34" I.D. x .60" O.D.		77	736-0226		Fl-Wash. .469" I.D. x .88" O.D.	
32	747-0394		Speed Control Rod (501 thru 508)		78	754-0241		V-Belt	
	747-0451		Speed Control Rod (511 thru 514)		79	750-0706		Spacer 1.00" x .380" O.D.	
33	720-0165		Ball Knob		80	736-0405		Washer .56 I.D. x 1.25" O.D.	
34	**		Rear Wheel Rim Only		81	712-0922		Hex Nut 1/2-20 Thd.	
35	736-0242		Bell-Wash. .345" I.D. x .88"		82	711-0676		Torque Rod	
36	710-0627		Hex L-Bolt 5/16-24 x .75" Lg.		83	748-0294		Flange Bearing .378	
37	**		Rear Wheel Ass'y.—Comp.		84	736-0187		Fl-Wash. .640" I.D. x 1.24"	
38	714-0470		Cotter Pin 1/8" Dia. x 1.25"*		85	15569		Idler Bracket Ass'y.	
39	732-0389		Extension Spring 17.0" Lg.		86	736-0283		Thrust Wash. .635" I.D.	
40	734-0255		Air Valve		87	732-0436		Extension Spring 7.58" Lg.	
41	16475		Shift Lever Ass'y.		88	736-0284		Thrust Wash. .385" I.D.	
42	732-0499		Compression Spring 1.50" Lg.		89	15585		Idler Bracket Ass'y. For Clutch	
43	710-0789		C Sink AB S-Tap Scr. #8 x .50" Lg.		90	711-0747		Belt Guard Pin 1/4" Dia.	
					91	747-0422		Clutch Rod	
					92	735-0196		Foot Pad	
					93	17100		Mtg. Brkt. Variable Pulley	
					94	15642		Weld Bolt Brkt. Ass'y.	
					97	712-0798		Hex Nut 3/8-16	
					98	736-0217		L-Wash. 3/8 Heavy Duty	
					99	710-0118		Hex Bolt 5/16-18 x .75" Lg.*	
					100	16482		Shift Lever Spring Brkt.	

Models 501 thru 508, 511 thru 514



Models 501 thru 508, 511 thru 514

PARTS LIST FOR MODELS 501 THRU 508, 511 THRU 514 RIDING MOWERS

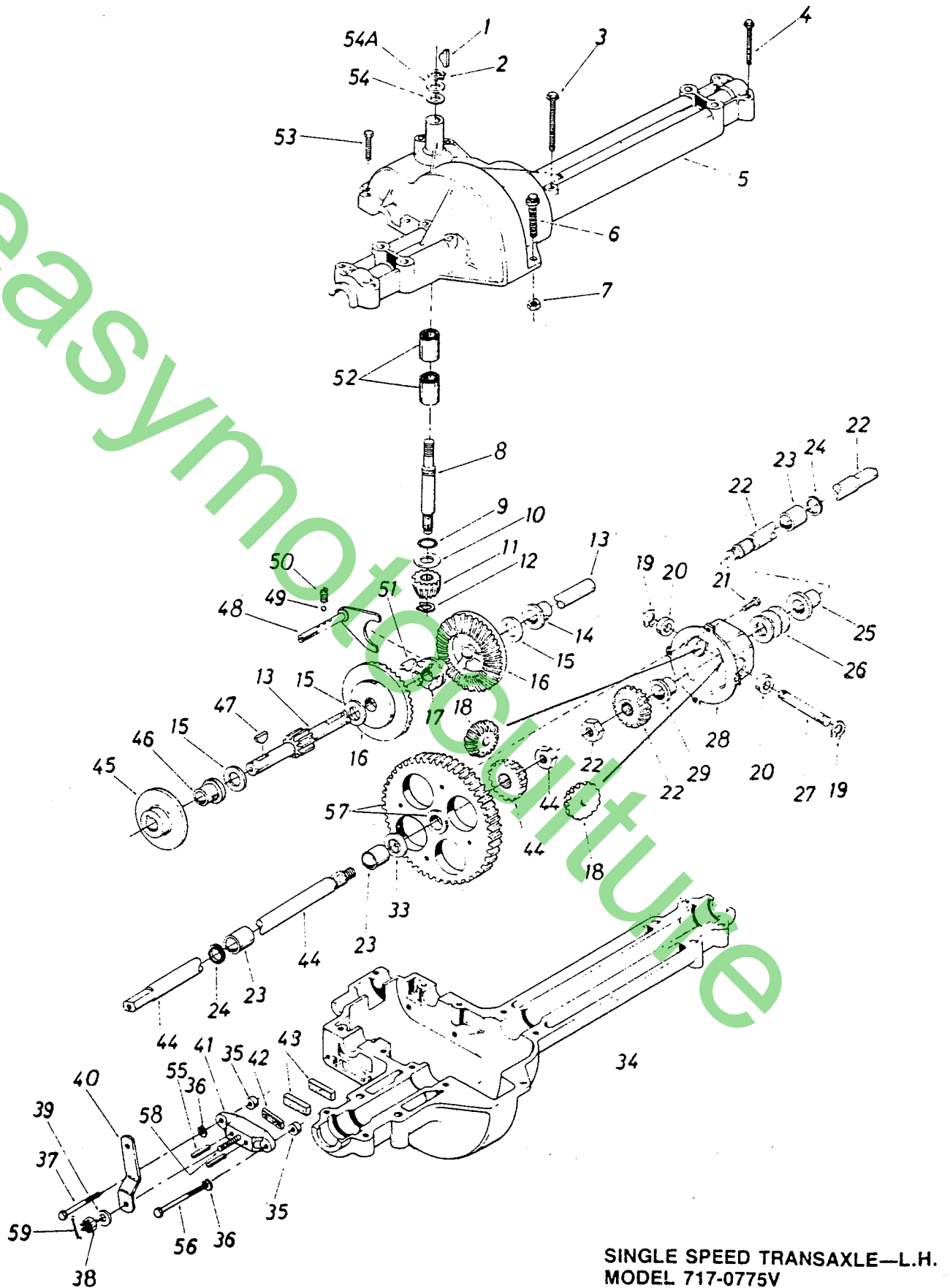
REF. NO.	PART NO.	COLOR CODE	DESCRIPTION	NEW PART	REF. NO.	PART NO.	COLOR CODE	DESCRIPTION	NEW PART
1	731-0220		Steering Wheel Cap		38	723-0156		Ball Joint Ass'y. 3/8-24 Thd.	
2	712-0237		Hex L-Nut 5/16-24 Thd.		39	714-0115		Cotter Pin 1/8" Dia. x 1.00" Lg.* (501 thru 508)	
3	736-0242		Bell-Wash. .345" I.D. x .88" O.D.		40	747-0417		Steering Tie Rod	
4	731-0805		Steering Wheel Ass'y.		41	15616		Front Axle Ass'y.—R.H.	
5	738-0700		Steering Shaft (501 thru 508)			15617		Front Axle Ass'y.—L.H. (Not Shown)	
6	750-0568		Steering Tube Spacer (Chrome) (501 thru 508)		42	741-0487		Flange Bearing .632" I.D.	
7	731-0651		Steering Tube Spacer (501 thru 508)		43	◀		Front Wheel Ass'y. Comp.	
8	736-0187		Fl-Wash. .635" I.D. x 1.24" O.D. (501 thru 508)		44	◀		Front Wheel Rim Only	
9	741-0225		Hex Flange Bearing (501 thru 508)		46	714-0470		Cotter Pin 1/8" Dia. x 1.25" *	
10	15613		Pivot Bar Bracket		47	714-0115		Cotter Pin 1/8" Dia. x 1.00" *	
11	710-0118		Hex Bolt 5/16-18 x .75" Lg. *		48	736-0300		Fl-Wash. .385" I.D. x .87"	
12	17130		Steering Gear Support Brkt.		49	736-0187		Fl-Wash. .635" I.D. x 1.24"	
13	710-0776		Hex Wash. Hd. AB-Tap Scr. 1/4 x .62" Lg.		50	741-0225		Hex Flange Bearing	
14	15608		Steering Gear Cover		52	736-0156		Fl-Wash. .635" I.D. x 1.12"	
15	741-0225		Hex Flange Bearing		53	15610		Pivot Bar Ass'y.	
16	736-0285		Fl-Wash. .640" I.D. x 1.5" O.D.		54	726-0159		Speed Nut 5/8" I.D.	
17	736-0320		Fl-Washer 3/8" I.D. x 1.37" O.D.		55	15613		Pivot Bar Bracket	
18	748-0290		Steering Pinion Gear		56	15694		Bracket Reinforcement—R.H.	
20	712-0116		Hex L-Nut 3/8-24		57	710-0776		Hex Wash. Hd. AB-Tap Scr. 1/4 x .62" Lg.	
21	736-0275		Fl-Wash. .34" I.D. x .68" O.D.		58	726-0154		Cable Tie**	
22	712-0123		Hex Nut 5/16-24 Thd. *		59	15562		Clutch-Brake Pedal Ass'y.	
23	710-0191		Hex Bolt 3/8-24 x 1.25" Lg. (Grade 5)		60	710-0118		Hex Bolt 5/16-18 x .75" Lg. *	
24	736-0320		Fl-Wash. .385" I.D. x 1.38"		61	15699		Bracket Reinforcement—L.H.	
25	712-0241		Hex Nut 3/8-24 Thd. *		62	710-0118		Hex Bolt 5/16-18 x .75" Lg. *	
26	736-0169		L-Wash. 3/8" I.D. *		63	711-0222		Battery Hold Down Rod**	
27	717-0472		Steering Gear Segment		64	712-0113		Wing Nut Solid 1/4-20 Thd.**	
28	738-0541		Shoulder Spacer .622" Dia. x .218		65	731-0708		Battery Hold Down Cover**	
29	710-0689		Hex Bolt (Nylon) 1/2-13 x .75"		66	725-0514		12V Battery**	
30	736-0160		Fl-Wash. .530" I.D. x .930"		67	734-1219		Chrome Hub Cap (Optional)	
31	712-0206		Hex Nut 1/2-13 Thd. *		68	731-0484		Plastic Hub Cap (Optional)	
32	736-0105		Bell-Wash. .385" I.D. x .88"		69	16513		Steering Shaft Ass'y. (511 thru 514)	
33	712-0241		Hex Nut 3/8-24 Thd. *		70	736-0187		Fl-Wash. .635" I.D. x 1.24" O.D. (511 thru 514)	
34	736-0119		L-Wash. 5/16" I.D. *		71	750-0532		Spacer (Plastic) (511 thru 514)	
35	712-0267		Hex Nut 5/16-18 Thd. *		72	16069		Reinf. Brkt. Ass'y. (511 thru 514)	
					73	710-0323		Truss Mach. Scr. 5/16-18 (511 thru 514)	
					74	710-0116		Hex Bolt 5/16-18 x 2.00" Lg. (511 thru 514)	

**Electric Start Models only.

◀FRONT WHEEL CHART

Description	11 x 4.0	11 x 4.0	10.5 x 3.5
Wheel Assembly Comp.	734-1454	734-1404	734-1000
Tire Only	734-1382	734-1382	—
Rim Only	734-1455	734-1405	—
Bearing	741-0487	741-0155	741-0487
Air Valve	734-0255	734-0255	—
Grease Fitting	737-0146	737-0146	—

Models 501 thru 508, 511 thru 514



SINGLE SPEED TRANSAXLE—L.H.
MODEL 717-0775V

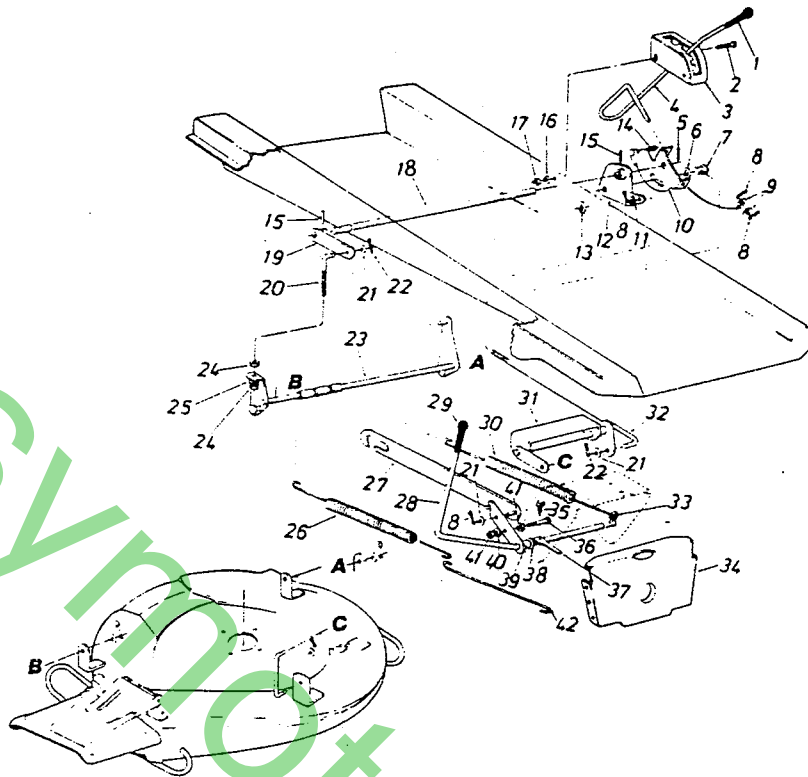
Models 501 thru 508, 511 thru 514

PARTS LIST FOR SINGLE SPEED TRANSAXLE LEFT HAND 717-0775V

REF. NO.	PART NO.	COLOR CODE	DESCRIPTION	NEW PART	REF. NO.	PART NO.	COLOR CODE	DESCRIPTION	NEW PART
1	714-0129		#4 Hi-Pro Key 3/32 x 5/8" Dia.		34	717-0761		Lower Housing	
2	716-0115		Snap Ring .625" Shaft		35	750-0555		Spacer .53" O.D. x 3/8" Lg.	
3	710-0854		Hex Bolt 1/4-20 x 1.75" Lg.*		36	736-0329		L-Wash. 1/4" I.D.*	
4	710-0378		Hex Bolt 5/16-18 x 2.5"		37	710-0886		Hex Bolt 1/4-20 x 1.50" Lg.	
5	717-0764		Upper Housing					(Grade 5)	
6	710-0889		Hex Fl-Bolt 1/4-20 x .88" Lg.*		38	712-0335		Castle Nut 5/16-24 Thd.	
7	712-0287		Hex Nut 1/4-20 Thd.*		39	736-0159		Fl-Wash. .344" I.D. x .875" O.D.	
8	717-0634		Input Shaft					Actuating Arm	
9	721-0178		Square Seal 5/8" I.D.		40	717-0772		Brake Yoke	
10	736-0335		Thrust Washer 5/8" I.D. x 1.25" O.D.		41	717-0679		Puck Plate	
11	717-0633		Pinion Input 14T		42	717-0682		Brake Puck	
12	716-0108		Retaining Ring 7/16" Ext.		43	717-0678		Axle L.H. Ass'y.—Kit	
13	717-0768		Drive Shaft		44	717-0765		Brake Disc	
14	741-0336		Flange Brg. 5/8" I.D. x 3/4" Lg.*		45	717-0677		Flange Bearing 5/8" I.D. x 15/16" Lg.	
15	**		Fl-Wash. (See Below)		46	741-0337		Woodruff Key 3/16 x 5/8 HT	
16	717-0757		Bevel Gear 42T		47	714-0161		Shift Fork Ass'y.	
17	717-0667		Clutch Collar		48	717-0754		Ball Detent .250" Dia.	
18	717-1020		Miter Gear 15T (H.D.)		49	741-0862		Spring Detent	
19	716-0142		Snap Ring		50	732-0863		#9 Hi-Pro Key 3/16" x 3/4" Dia. HT	
20	717-0690		Thrust Bearing 1/2" I.D. x 1.0" O.D.		51	714-0169		Needle Brg. 5/8" I.D. x 1/2" Lg.	
21	710-0862		Pan Head Scr. 1/4-20 x .50" Lg. w/Patch		52	741-0335		Hex Bolt 1/4-20 x 1.00" Lg.	
22	717-0766		Axle R.H. Ass'y.—Kit		53	710-0855		Fl-Wash. 5/8" I.D. x .030	
23	741-0340		Sleeve Bearing 3/4" I.D. x 1.0" Lg.		54A	736-0336		Fl-Wash. 5/8" I.D. x .040	
24	721-0179		Oil Seal 3/4" I.D.		55	741-0343		Actuating Pin 5/16" Dia.	
25	741-0339		Flange Bearing 3/4" I.D. x 15/16" Lg.		56	710-0966		Hex Bolt 1/4-20 x 2.50" Lg.	
26	736-0188		Fl-Wash. .760" I.D. x 1.49" O.D.		57	717-0767		(Grade 5)	
27	717-0673		Cross Shaft					Differential Gear 72T Ass'y. w/Bearing	
28	717-0777		Differential Housing Ass'y.		58	717-0681		Sq. Hd. Bolt 5/16-24 Thd.	
29	—		Part of Ref. 28		59	1544-013		Cotter Pin 3/32" Dia. x .50" Lg.	
33	736-0188		Fl-Wash. .760" I.D. x 1.49" O.D.		—	737-0148		Grease—Shell (10 oz.)	

**Ref. No. 15 736-0349 Fl-Wash. 5/8" I.D. x 1.0" O.D. x .020" Thk.
736-0336 Fl-Wash. 5/8" I.D. x 1.0" O.D. x .030" Thk.
736-0337 Fl-Wash. 5/8" I.D. x 1.0" O.D. x .040" Thk.

Models 501 thru 508, 511 thru 514



PARTS LIST FOR 501 THRU 508, 511 THRU 514 RIDING MOWERS

REF. NO.	PART NO.	COLOR CODE	DESCRIPTION	NEW PART	REF. NO.	PART NO.	COLOR CODE	DESCRIPTION	NEW PART
1	720-0143		Grip		21	736-0300		Fl-Wash. .385" I.D. x .87" O.D.	
2	710-0323		Truss Mach. Scr. 5/16-18 x .75" Lg.*		22	714-0145		Intern. Cotter Pin 1/2" Dia.	
3	16397		Deck Index Bracket		23	15600		Deck Link Ass'y.—Rear	
4	747-0651		Deck Lift Handle		24	712-0798		Hex Nut 3/8-16 Thd.*	
5	715-0134		Spring Pin Spir. 3/16" Dia. x 1.50" Lg.		25	736-0169		L-Wash. 3/8" I.D.*	
6	736-0187		Fl-Wash. .385" I.D. x .87" O.D.		26	732-0540		Extension Spring .73" O.D. x 13.84" Lg.	
7	711-0749		Adj. Ferrule Deck Lift Handle		27	15644		Deck Drive Control Bracket	
8	714-0115		Cotter Pin 1/8" Dia. x 1.00" Lg.*		28	15568		Blade Engagement Lever Ass'y.	
9	736-0160		Fl-Wash. .531" I.D. x .930" O.D.		29	720-0143		Grip	
10	16402		Deck Lift Handle Retainer Ass'y.		30	732-0540		Extension Spring .73" O.D. x 13.89" Lg.	
11	736-0300		Fl-Wash. .385" I.D. x .87" O.D.		31	15573		Deck Lift Ass'y.—Front	
12	15578		Deck Lift Brkt. Ass'y.—L.H.		32	747-0426		Deck Lift Connecting Rod	
13	736-0162		Fl-Wash. .635" I.D. x 1.04" O.D.		33	711-0753		Clevis Pin Special .250" Dia.	
14	732-0430		Compression Spring .50" Dia. x 1.0" Lg.		34	15613		Pivot Bar Bracket	
15	715-0114		Spring Pin Spir. 1/4" Dia. x 1.50" Lg.		35	710-0642		Hex TT-Tap Scr. 1/4-20 x .75" Lg.	
16	736-0119		L-Wash. 5/16" I.D.*		36	710-0805		Hex Bolt 5/16-18 x 1.50" Lg. (Grade 5)	
17	712-0267		Hex Nut 5/16-18 Thd.*		37	732-0435		Switch Actuator	
18	738-0550		Rear Hgt. Adj. Shaft		38	736-0160		Fl-Wash. .531" I.D. x .930" O.D.	
19	15609		Deck Lift Brkt. Ass'y.—R.H.		39	750-0515		Spacer .511" I.D. x .70" O.D. x .38" Lg.	
20	710-0866		Deck Adj. Scr. 3/8-16 Thd.		40	736-0119		L-Wash. 5/16" I.D.*	
					41	712-0267		Hex Nut 5/16-18 Thd.*	
					42	732-0451		Spring Hook	

PARTS LIST FOR 30" REAR DISCHARGE MOWING DECK

REF. NO.	PART NO.	COLOR CODE	DESCRIPTION	NEW PART	REF. NO.	PART NO.	COLOR CODE	DESCRIPTION	NEW PART
①	16760		30" R.D. Deck Ass'y. Comp. (Service Only)		33	714-0174		Internal Cotter Pin	
2	712-0318		Hex Jam Nut 5/8-18 Thd.		34	731-0715		R.D. Chute Deflector	
3	736-0317		Bell-Wash. .630" I.D. x 1.25"		36	736-0271		L-Wash. .32" I.D. x .62" O.D.	
4	756-0430		5/8 V-Pulley .75" I.D. x .7"		37	747-0474		90° Rod 5/16-18 Thd.	
9	711-0640		Stud 3/8-16 x 2.75" Lg.		41	732-0157		Extension Spring	
10	712-0342		Hex Jam Nut 3/8-16 Thd.		42	726-0201		Push Speed Nut	
11	736-0119		L-Wash. 5/16" I.D.*		45	710-0118		Hex Bolt 5/16-18 x .75"*	
12	712-0158		Hex L-Nut 5/16-18 Thd.		46	16053		Blade Brake Brkt. Ass'y.	
13	16706		Hanger Brkt. 3.25"		47	748-0234		Shoulder Spacer .500" Dia.	
14	15906		30" R.D. Deck Ass'y.		49	754-0264		"V"-Belt 1/2" x 52" Lg.	
17	16705		Hanger Brkt. 2.25"		51	710-0176		Hex Bolt 5/16-18 x 2.75"	
18	710-0323		Truss Mach. Scr. 5/16-18 x .75" Lg.*		53	15625		Lower Outside Belt Guard	
19	742-0280		30" High Lift Blade		54	710-0258		Hex Bolt 1/4-20 x .62" Lg.*	
20	748-0300		Blade Adapter		55	736-0329		L-Wash. 1/4" I.D.*	
21	07919		Scaip Plate (Optional)		56	714-0104		Int. Cot. Pin 5/16" Dia.	
22	736-0169		L-Wash. 3/8" I.D.*		57	727-0290		Brake Cable 11.75" Lg.	
23	710-0152		Hex Bolt 3/8-24 x 1.0"		58	736-0142		Fl-Wash. .281" I.D. x .50"	
24	710-0888		Hex Bolt 5/16-24 x 1.0" Lg.		59	711-0701		Clevis Pin 1/4" Dia.	
26	712-0123		Hex Nut 5/16-24 Thd.*		60	15626		Lower Inside Belt Guard	
29	725-0765		Electrical Wire		61	726-0106		Cap Speed Nut 1/4" Rod	
30	710-0289		Hex Bolt 1/4-20 x .50" Lg.*		63	714-0145		Int. Cotter Pin 1/2" Dia.	
31	725-0269		Safety Switch		64	736-0160		Fl-Wash. .531" I.D. x .930"	
32	712-0287		Hex Nut 1/4-20 Thd.*		65	747-0428		Deck Link 3.9" Lg.	
					66	725-1037		Wire Lead	
					67	717-0916		Blade Spindle Ass'y. Comp.	N

① 16760