

TO: KME
 ATTN: Anita Boggers
 FROM: KHI Parts Dept.

311925A TA33RJT
 E-1 ENGINE

38

(18)

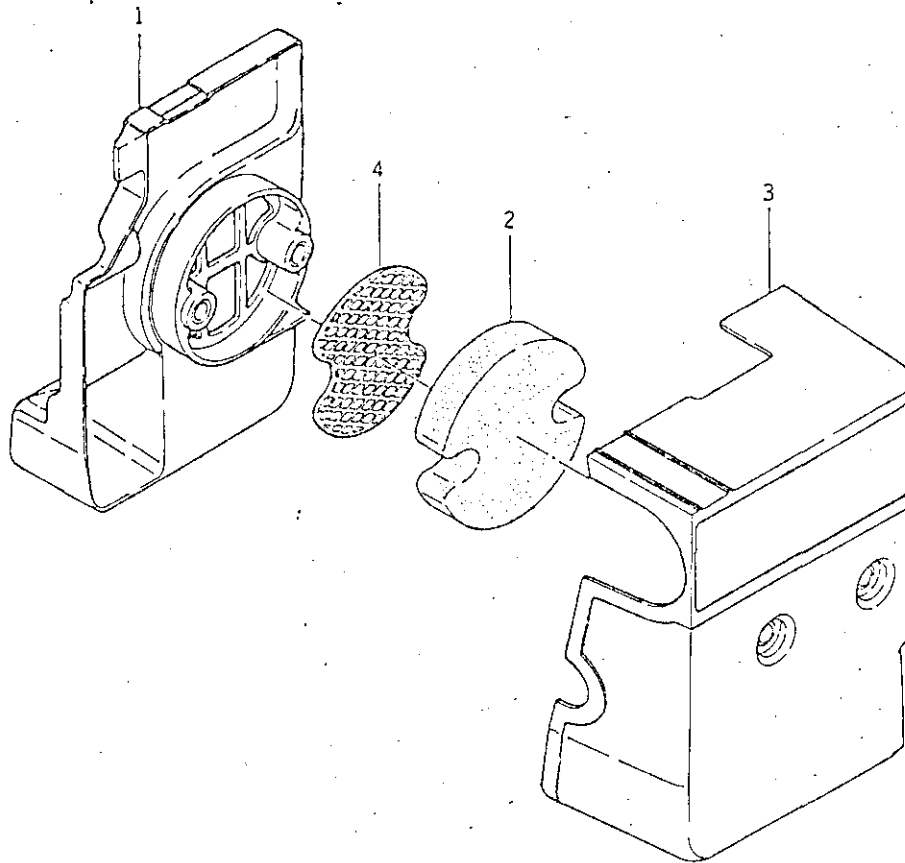
Ref No	Parts No	Parts Name	Q'ty	Remarks
1	311901-3111D	PISTON	1	
2	311901-3010A	PISTON RING SET	1	
3	311702-3121-00	PIN,piston	1	
4	311703-3122A	RING,snap	2	
5	311501-3231-00	SHIM	AR	t=0.1
	311501-3232-00	SHIM	AR	t=0.2
	311501-3233-00	SHIM	AR	t=0.4
	311501-3234-00	SHIM	AR	t=0.6
6	311702-4211-00	BEARING,ball (6201C3)	2	
7	311501-4231-00	SEAL,oil	2	
8	311501-8410-00	PLUG,spark (NGK BM7)	1	
9	3119AA-8418D	CAP,plug	1	
10	311509-8419B	SPRING	1	
11	311901-3430A	RECOIL STARTER ASS'Y	1	See Fig R-1
12	311901-3432A	PULLEY	1	
13	232B0514A	SCREW (5X14)	2	
14	242B0516	SCREW (5X16)	2	
15	315B0800	NUT (8mm)	1	
16	410B0800	WASHER	1	
17	311901-1310D	AIR CLEANER ASS'Y	1	See Fig A-1
18	242B0428	SCREW (4X28)	2	
19	311901-6100M	CARBURETOR ASS'Y	1	See Fig C-1
20	311901-6181B	INSULATOR,carburetor	1	
21	311901-6184B	GASKET	1	
22	311901-6185A	GASKET	1	
23	311901-6186A	GASKET	1	
24	234B0545	SCREW (5X45)	2	
25	311901-1410C	MUFFLER ASS'Y	1	
26	171G0561A	STUD	2	
27	311B0500A	NUT (5mm)	2	
28	410B0500	WASHER	2	
29	242B0512	SCREW (5X12)	1	
30	311901-1431C	COVER,muffler	1	
31	234B0410	SCREW (4X10)	3	
32	311501-1443-03	GASKET	1	
33	311901-1211D	CYLINDER	1	
34	311901-1221A	GASKET,cylinder	1	
35	233B0518	SCREW (5X18)	4	

Ref No	Parts No	Parts Name	Q'ty	Remarks
36	311703-3544-00	PIN, clutch	2	
37	311703-3552-00	SHOE, clutch	2	
38	311703-3554-00	SPRING	1	
39	311703-3595-00	WASHER	2	
40	311901-6610G	TANK, fuel	1	
41	311901-6641D	.CAP, tank	1	
42	311901-6646B	.BREATHER	1	
43	311901-6662A	.FILTER	1	
44	311901-6663B	.GASKET	1	
45	310101-6711C	BRACKET, tank	1	
46	311901-6712A	BRACKET, tank	1	
47	214B0406A	SCREW (4X6)	2	
48	3119AA-6715A	DAMPER	4	
49	311902-6721B	BAND, tank	1	
50	316677-6812A	CLIP	1	
51	311901-6811B	TUBE	1	
52	311901-3210B	CRANK SHAFT ASS'Y	1	
53	311702-3242-01	.BEARING, needle	1	
54	311901-4111E	CRANK CASE	1	
55	311901-4112C	CRANK CASE	1	
56	311901-4113A	GASKET	1	
57	551A0410	PIN, dowel	2	
58	551A0610	PIN, dowel	2	
59	311501-4174-00	SCREW	4	
60	214B0406A	SCREW (4X6)	2	
61	311901-0814A	LABEL	1	**
62	311901-0845A	LABEL	1	**
63	✓ 311182-5431-00	LEVER, throttle	1	
64	311901-5432A	CABLE, throttle	1	
65	311908-1611D	CASE, spiral	1	
66	234B0516A	SCREW (5X16)	4	
67	311907-1632G	COVER, cylinder	1	
68	234B0410	SCREW (4X10)	5	
69	311901-8111D	FLYWHEEL	1	
70	311901-8465D	IGNITER	1	
71	180B0520	BOLT (5X20)	2	
72	315B0800	NUT (8mm)	1	
73	410B0800	WASHER	1	

Ref No	Parts No	Parts Name	Q'ty	Remarks
74	461F0800	WASHER, spring	1	
75	510A3100	KEY	1	
76	311501-8164-01	GROMMET	1	
77	311901-8164A	GROMMET	1	
78	310101-8511B	SWITCH, stop	1	
79	311901-8512B	BRACKET, switch	1	
80	311901-6510A	STRAINER	1	
81	311901-6812A	CLIP	1	
82	311702-8161-00	CLAMP	1	
83	311901-8161A	CLAMP	1	
84	214B0406A	SCREW (4X6)	1	
85	310101-6723A	DAMPER	1	
86	311902-6724A	DAMPER	1	
		ACCESSORY		
	311920-0900A	TOOL ASS'Y	1	**
	311920-0951A	.DRIVER	1	**
	314490-0931A	.WRENCH, socket	1	**

5/8

Fig A-1 AIRCLEANER



Ref No	Parts No	Parts Name	Q'ty	Remarks
	311901-1310D	AIRCLEANER ASS'Y.	1	
A-1- 1	311901-1311C	.CASE,air cleaner	1	
A-1- 2	311901-1312A	.ELEMENT	1	
A-1- 3	311901-1316C	.CAP,air cleaner	1	
A-1- 4	311901-1317A	.SCREEN	1	

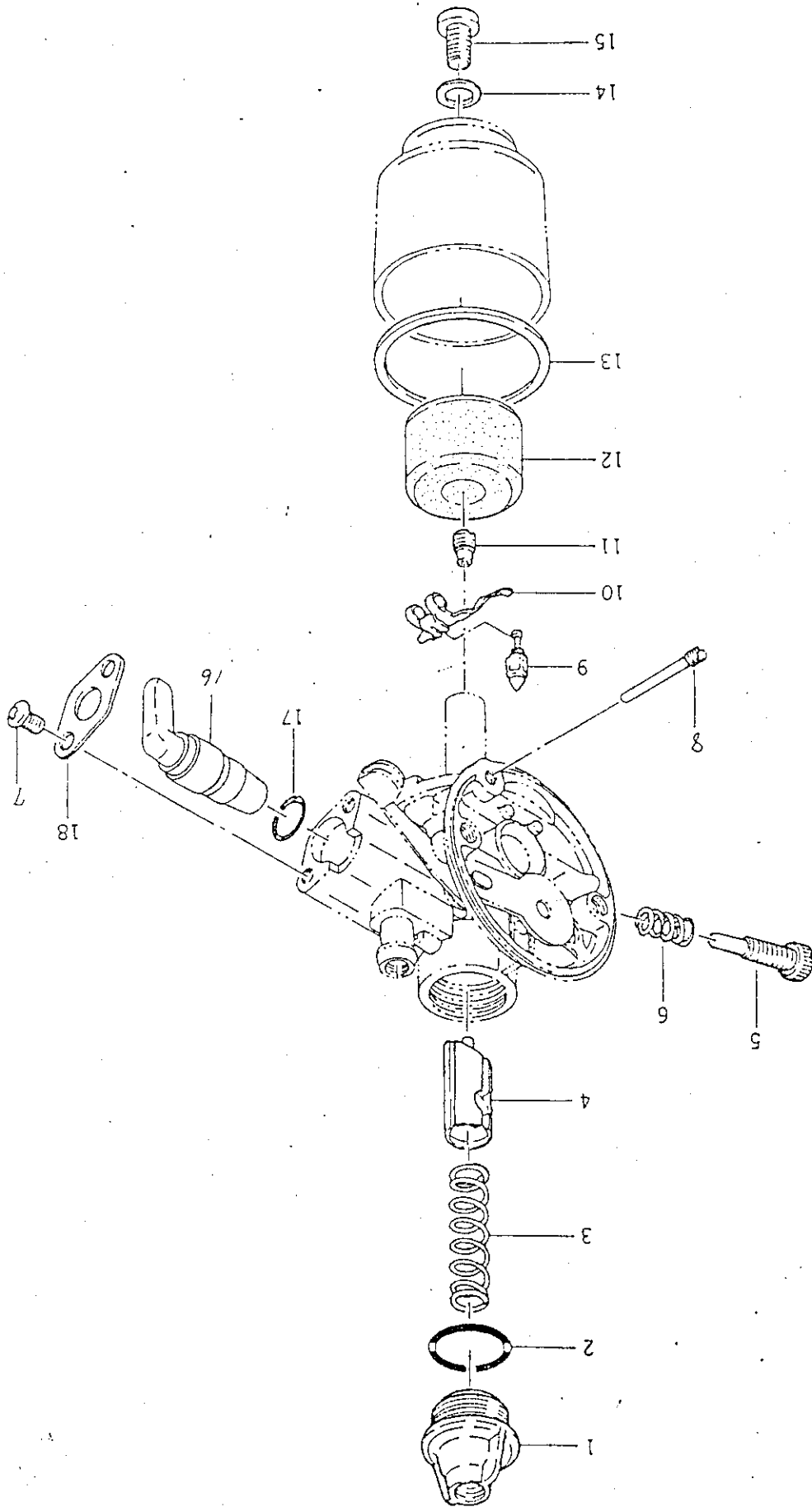


Fig C-1 CARBURETOR

(24)

(31190/6100 M)

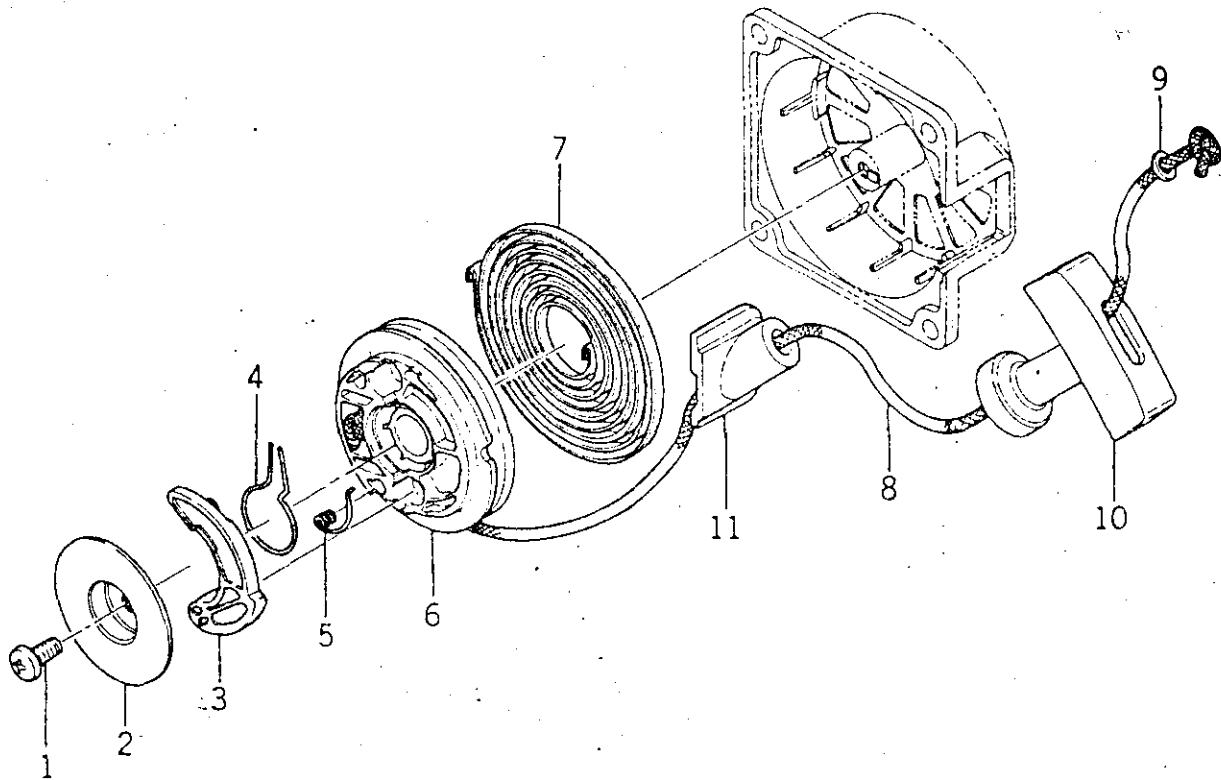
7/8

Fig C-1 CARBURETOR

Ref No	Parts No	Parts Name	Q'ty	Remarks
✓	311901-6100M	CARBURETOR ASS'Y	1	
C-1- 1	311901-6105A	.CAP,carburetor body	1	
C-1- 2	311901-6177A	.O-RING	1	
C-1- 3	311901-6103A	.SPRING,throttle	1	
C-1- 4	311901-6101A	.VALVE,throttle	1	
C-1- 5	311528-6114-00	.SCREW,slow stop	1	
C-1- 6	311502-6116-00	.SPRING,adjuster	1	
C-1- 7	✓312210-6137-10	.SCREW	2	
C-1- 8	311901-6127B	.PIN,float	1	
C-1- 9	311901-6122A	.VALVE,needle	1	
C-1-10	311901-6178A	.HING,float	1	
C-1-11	311901-6132B	.JET,main #51	1	
C-1-12	311702-6126-06	.FLOAT	1	
C-1-13	311901-6128A	.GASKET	1	
C-1-14	311901-6149A	.GASKET	1	
✓ C-1-15	311901-6143B	.SCREW	1	
✓ C-1-16	311901-6173B	.VALVE	1	
C-1-17	311901-6119A	.O-RING	1	
✓ C-1-18	311901-6176B	.PLATE	1	

R-1 RECOIL STARTER

2/2



見出番号 Ref No.	部品番号 Parts No.	部 品 名 Parts Name	個数 Q'ty	標準小売/個 Standard Price	備 考 Remarks
	311901-3430A	RECOIL STARTER ASS'Y	1		
R-1- 1	311400-3447-00	.SCREW	1		
R-1- 2	311901-3449A	.RETAINER	1		
R-1- 3	311400-3445-00	.PAWL, recoil	1		
R-1- 4	311400-3446-00	.SPRING	1		
R-1- 5	311400-3444B	.SPRING, return	1		
R-1- 6	311901-3441A	.REEL, recoil	1		
R-1- 7	311901-3452A	.SPRING, spiral	1		
R-1- 8	311901-3453A	.ROPE (3.8x890)	1		
R-1- 9	311901-3455A	.WASHER	1		
R-1-10	311901-3454A	.HANDLE, recoil starter	1		
R-1-11	311901-3435A	.GUIDE, rope	1		