

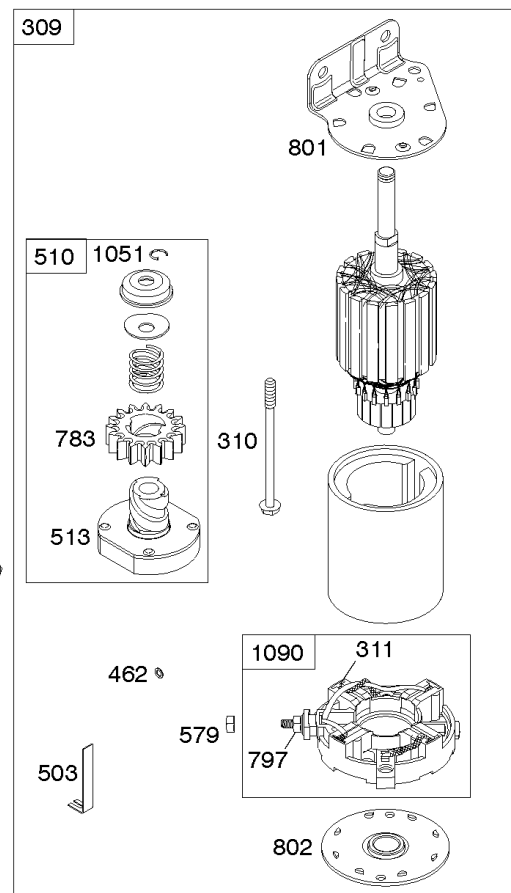
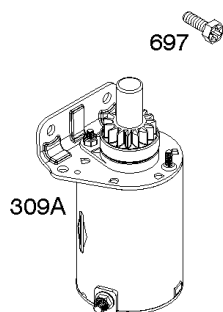
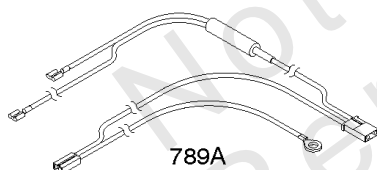
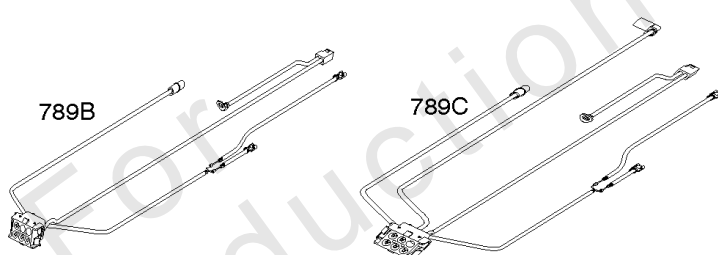
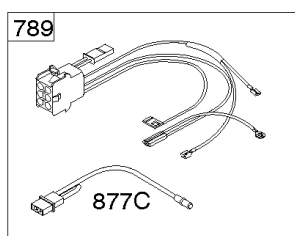
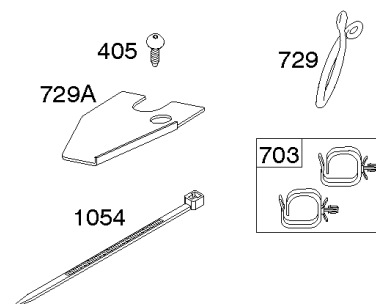
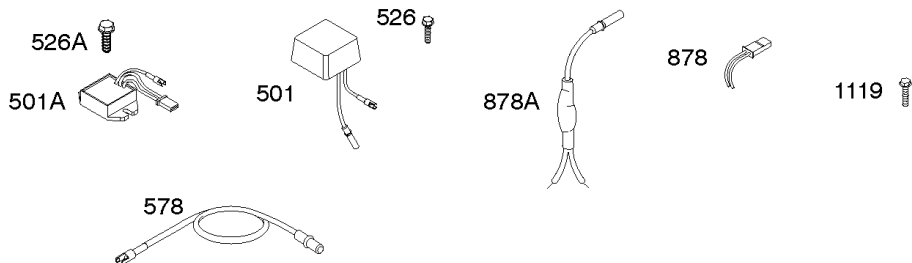
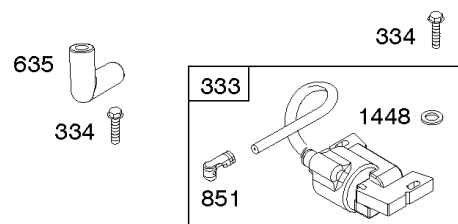
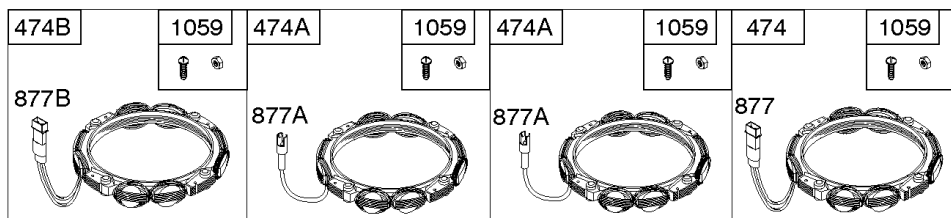


Parts Manual

Mfg. No: 406777-0154-E1

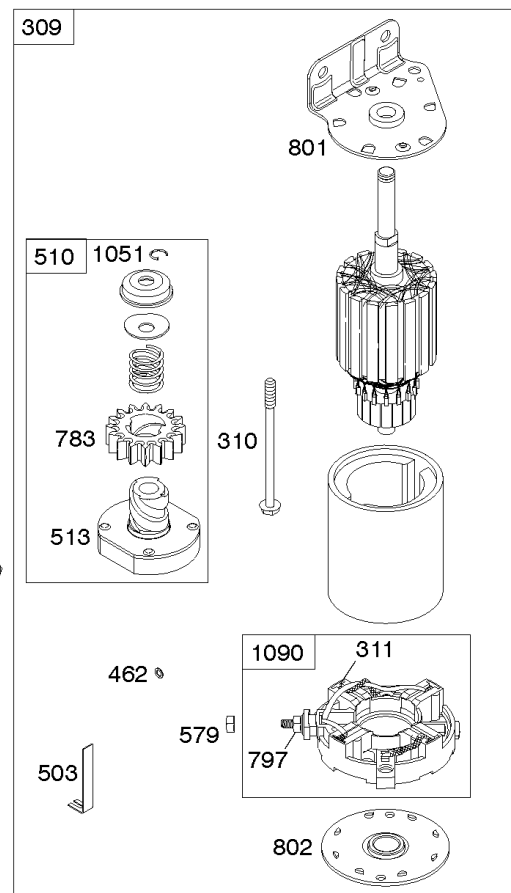
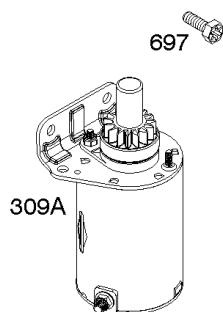
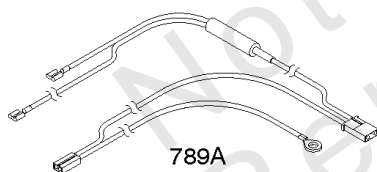
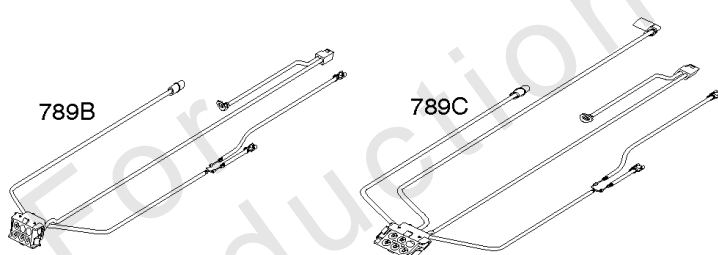
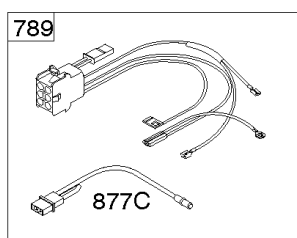
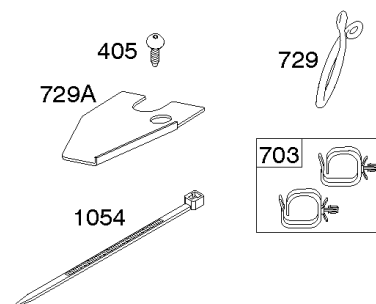
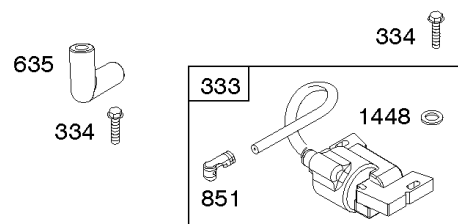
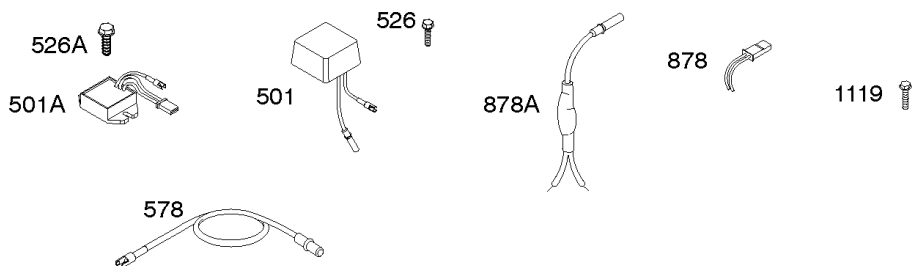
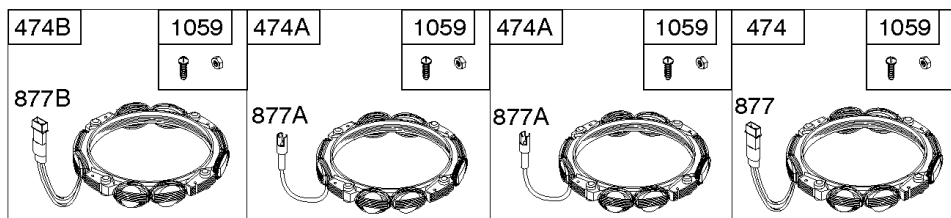
Model Components	Page
Alternator, Wire Harness, Starter, Ignition.....	4
Blower Housing, Air Cleaner.....	8
Carburetor, Fuel Supply.....	10
Cylinder Head, Rocker Arm Cover, Intake Manifold.....	16
Cylinder, Crankshaft, Camshaft, Air Guides, Pistons, Rings, Connecting Rod.....	20
Engine Sump, Oil Pump, Dipstick/Tube Assembly.....	24
Engine/Valve Gasket Set, Carburetor Overhaul Kit.....	28
Flywheel, Controls.....	30

Not For
Reproduction



Alternator, Wire Harness, Starter, Ignition

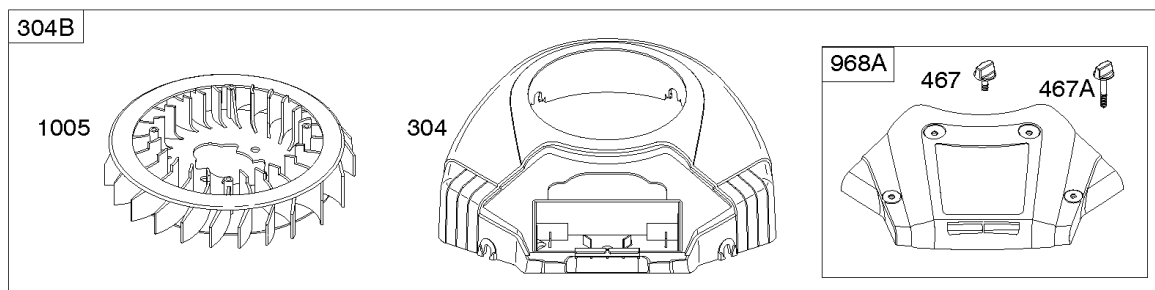
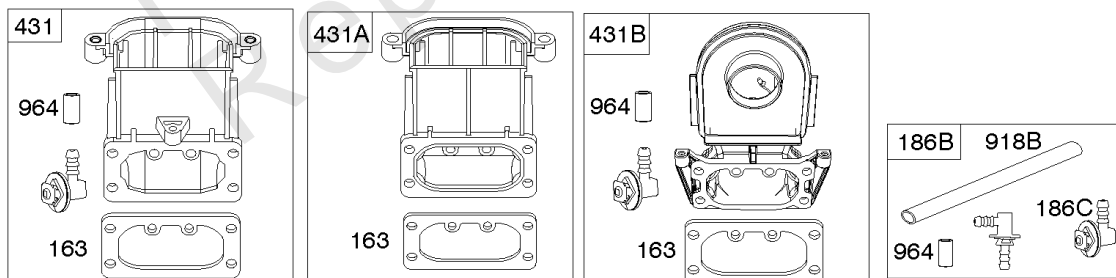
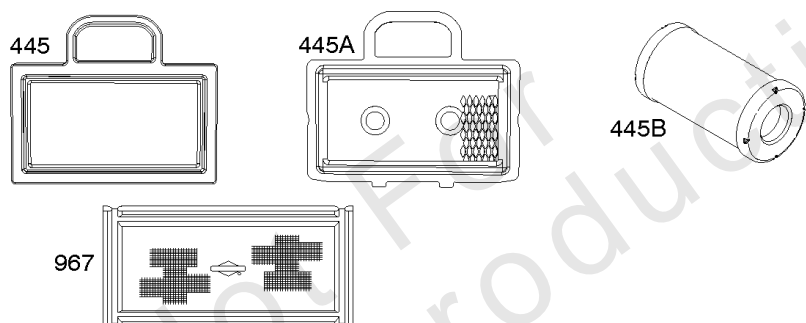
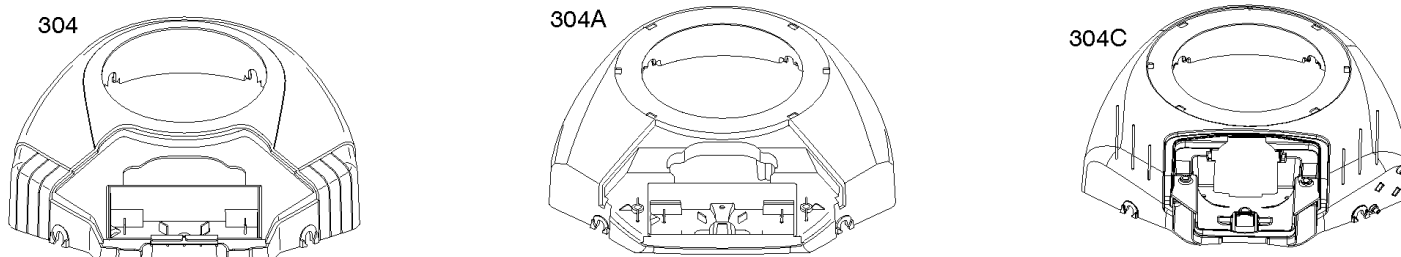
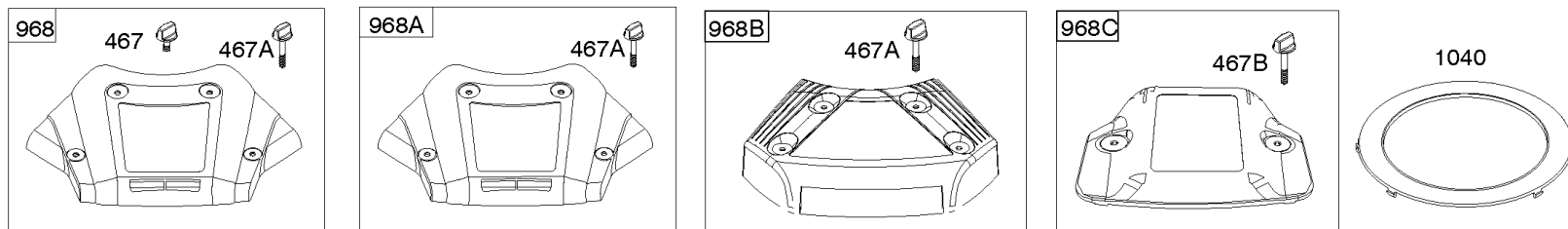
REF NO	PART NO	QTY	DESCRIPTION
309	795121		Motor-Starter
310	691263		Screw -(Starter Motor)
311	497608		Brush Set
333	691060		Armature-Magneto
334	691061		SCREW -(Magneto Armature)
405	697820		SCREW -(Back Plate) (Mounting)
462	691261		WASHER -(Starter Cable)
474B	696458		Alternator -(10-16 Amp Regulated)
501	794360		REGULATOR -(5/9 Amp. Regulated)
501A	797375		Regulator -(10-16 Amp Regulated)
503	691532		STRAP, Starter
510	696541		Drive-Starter
513	692024		ARMATURE, Starter
526	691129		SCREW -(Regulator)
526A	691108		SCREW -(Regulator)
578	691208		Wire Assembly -(18" Long-Used On Cylinder 2 Mounted Regulator)
578	797463		Wire Assembly -(14" Long-Used On Cylinder 1 Mounted Regulator)
579	691029		NUT -(Starter Cable)
635	692076		BOOT, Spark Plug
697	591909		SCREW -(Drive Cap)
703	691010		CLIP
729	694123		Clip-Wire
729A	797454		CLIP, Wire
783	695708		Gear-Pinion
789	698330		HARNESS, Wiring -(6 Pin, #2 Side Regulator. Without EFM. Wire Assembly Includes Green Oil Pressure Switch Wire. Remove If Not Needed. Service Kit Includes Red Regulator To 2 Pin Jumper Wire.)
789A	591391		Harness-Wiring -(2 Pin, #1 And #2 Side Regulator. Without EFM.) -Used After Code Date 12042200
789A	691220		Harness-Wiring -(2 Pin, #1 And #2 Side Regulator. Without EFM.) -Used Before Code Date 12042300
789B	591392		HARNESS, Wiring -(6 Pin, #1 Side Regulator. Without EFM. Without Oil Pressure Switch.) -Used After Code Date 12042200
789C	591393		HARNESS, Wiring -(6 Pin, #1 Side Regulator. Without EFM. Without Oil Pressure Switch. Wire Assembly Includes Green Oil Pressure Switch Wire.) -Used After Code Date 12042200
789B	797424		Harness-Wiring -(6 Pin, #1 Side Regulator. Without EFM. Without Oil Pressure Switch.) -Used Before Code Date 12042300



Alternator, Wire Harness, Starter, Ignition

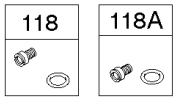
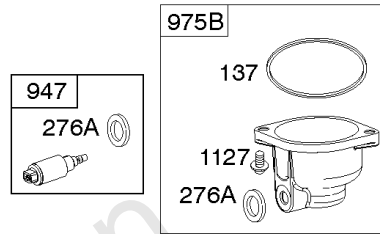
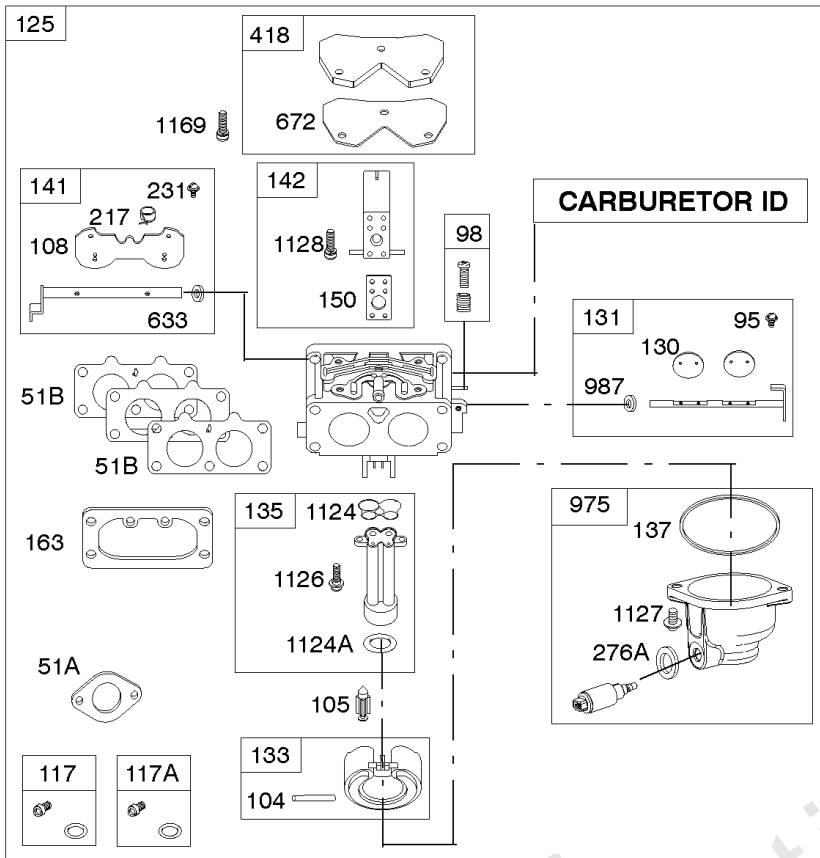
REF NO	PART NO	QTY	DESCRIPTION
789C	797460		Harness-Wiring -(6 Pin, #1 Side Regulator. Without EFM. Without Oil Pressure Switch. Wire Assembly Includes Green Oil Pressure Switch Wire.) -Used Before Code Date 12042300
797	693167		Nut -(Brush Retainer)
801	691283		Cap-Drive
802	691286		CAP, End
851	493880S		TERMINAL, Spark Plug
877	393456		Wire/Connector-Alternator
877A	393537		Wire/Connector-Alternator
877B	399916		Wire/Connector-Alternator
877C	790544		WIRE/CONNECTOR, Alternator
878	398661		Harness-Alternator
878A	691955		Harness-Alternator
1051	691265		RING, Retaining
1054	280275		Tie-Cable
1059	698516		KIT, Screw/Washer
1090	691293		RETAINER, Brush
1119	691183		SCREW -(Alternator)
1448	690260		Washer -(Magneto Armature)

Not For
Reproduction

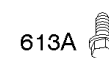
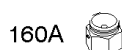
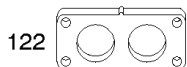
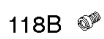
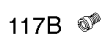
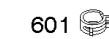
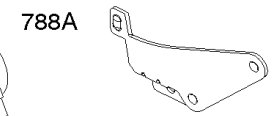
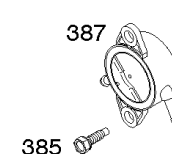
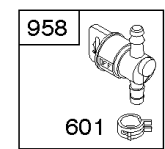
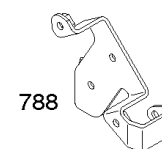
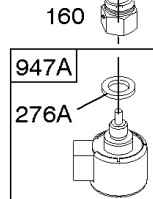
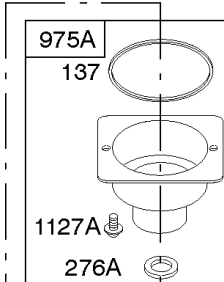
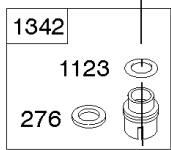
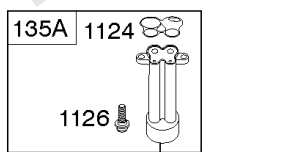
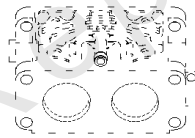
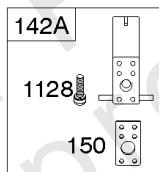
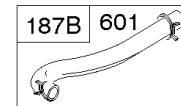
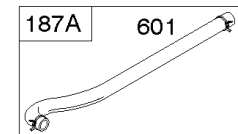
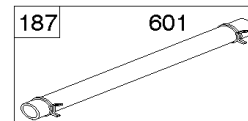
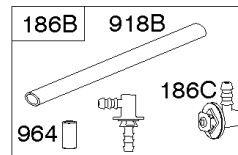


Blower Housing, Air Cleaner

REF NO	PART NO	QTY	DESCRIPTION
163	691001		GASKET, Air Cleaner
186B	799158		CONNECTOR, Hose -(EVAP)
186C	845141		CONNECTOR, Hose -(EVAP)
304	790688		Housing-Blower -(Black-Compatible With Panel Style Filter) -Used After Code Date 04100500 -Used Before Code Date 06103000
304A	799954		Housing-Blower -(Black-Compatible With Panel Style Filter) -Used After Code Date 06102900
304B	790692		Housing-Blower -(Black-Compatible With Panel Style Filter) -Used Before Code Date 04100600
305	691005		Screw -(Blower Housing)
305B	790690		SCREW -(Blower Housing) (Blower Housing To Intake Elbow)
431	798859		Elbow-Intake -(EVAP) -Used After Code Date 04080300
431A	691011		Elbow-Intake -Used Before Code Date 04080400
445	499486S		Filter-A/C Cartridge -(Flat Panel)
467	790697		KNOB, Air Cleaner Cover -(1 1/2" Long)
467A	691008		Knob-Air Cleaner Cover -(1 1/2" Long)
467B	591660		KNOB, Air Cleaner Cover -(7/8" Long)
918B	799160		HOSE, Vacuum -(Length 9.4 Inches)
964	799159		CAP, Connector
967	273638S		Filter-Pre Cleaner
968	790689		Cover-Air Cleaner -(Black-Compatible With Panel Style Filter) -Used After Code Date 04100500 -Used Before Code Date 06103000
968A	-		Cover-Air Cleaner -(No Longer Available) (See Reference 304B For Service) -Used Before Code Date 04100600
1005	791236		FAN, Flywheel -Used After Code Date 06102900
1005	499603		Fan-Flywheel -Used Before Code Date 04072000
1005	790698		Fan-Flywheel -Used After Code Date 04071900 -Used Before Code Date 06103000
1040	791237		PLATE, Trim

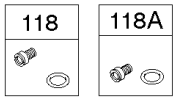
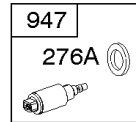
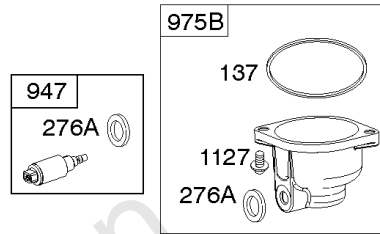
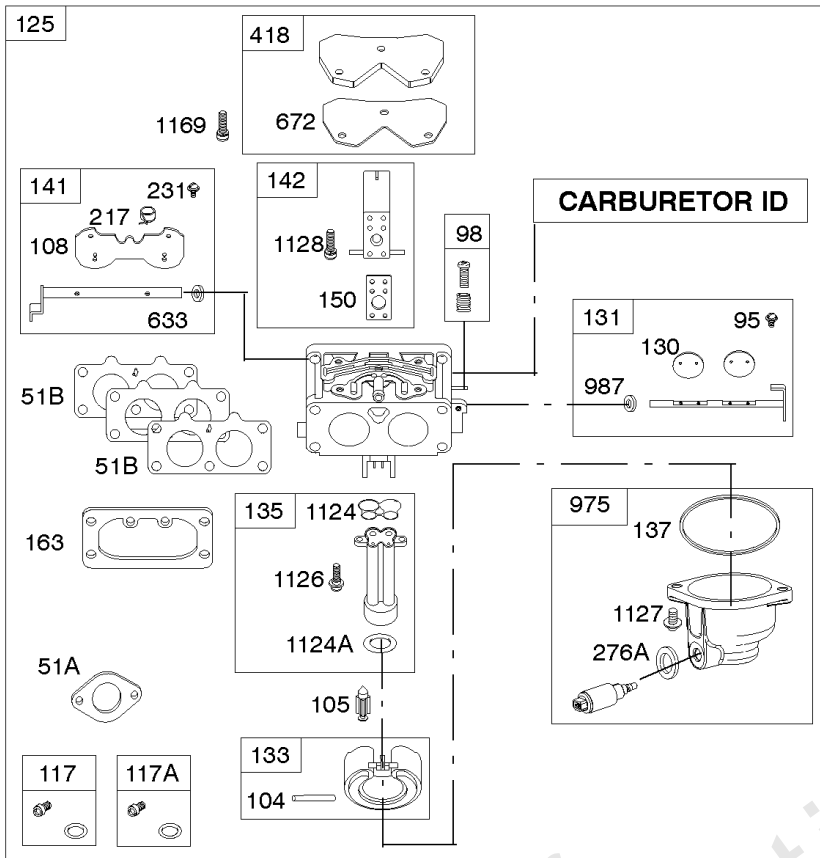


NOTE: Carburetor Illustrations Represents Several Carburetors. Parts Shown In The Service Box May Not Be Included In All Kits.

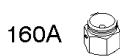
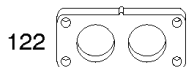
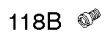
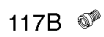
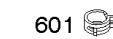
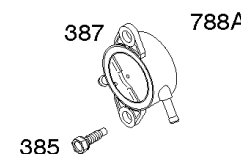
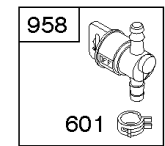
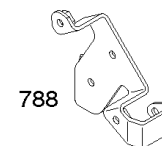
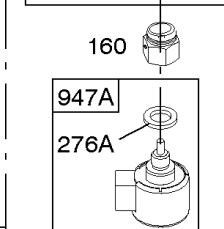
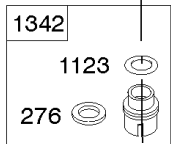
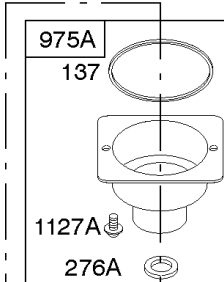
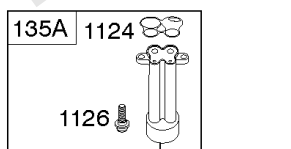
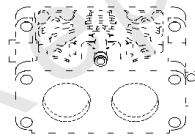
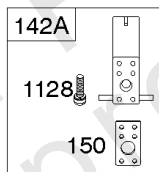
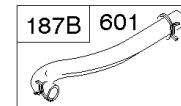
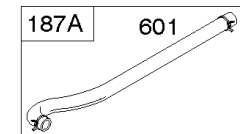
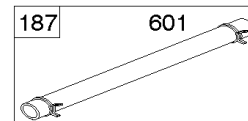
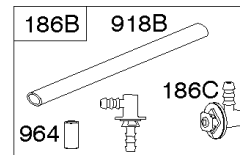


Carburetor, Fuel Supply

REF NO	PART NO	QTY	DESCRIPTION
51A	690949		GASKET, Intake
51B	690950		GASKET, Intake
95	690718		SCREW -(Throttle Valve)
98	699721		KIT, Idle Speed
104	694918		PIN, Float Hinge
105	797410		Valve-Float Needle
108	699723		VALVE, Choke
117	791501		Jet-Main -(Standard) (Left)(Nikki) -Used After Code Date 04091400
117A	791502		JET, Main -(Standard) (Right)(Nikki) -Used After Code Date 04091400
117B	690232		Jet-Main -(Standard) -Used Before Code Date 04091500
118	695415		Jet-Main -(High Altitude) (Left)(Nikki) -Used After Code Date 04091400
118A	843099		Jet-Main -(High Altitude) (Right)(Nikki) -Used After Code Date 04091400
118B	690989		Jet-Main -(High Altitude) -Used Before Code Date 04091500
122	690952		Spacer-Carburetor
125	791230		Carburetor -(Manual Choke)
130	690993		VALVE, Throttle
131	499805		Kit-Throttle Shaft
133	699724		FLOAT, Carburetor
135	699729		TUBE, Fuel Transfer -Used After Code Date 04091400
135A	499803		Tube-Fuel Transfer -Used Before Code Date 04091500
137	690994		GASKET, Float Bowl
141	796228		KIT, Choke Shaft
142	699726		Nozzle-Carburetor -(Standard) -Used After Code Date 04091400
142A	499808		Nozzle-Carburetor -(Standard) -Used Before Code Date 04091500
150	841649		GASKET, Nozzle
160	699727		Retainer-Solenoid -Used After Code Date 04091400
160A	690996		Retainer-Solenoid -Used Before Code Date 04091500
163	691001		GASKET, Air Cleaner
186B	799158		CONNECTOR, Hose -(EVAP)
186C	845141		CONNECTOR, Hose -(EVAP)
187	791766		LINE, Fuel -(Cut To Required Length)
187A	791744		Line-Fuel -(Formed)(Cut To Required Length)
187B	791801		Line-Fuel -(Formed)(Cut To Required Length)

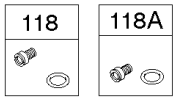
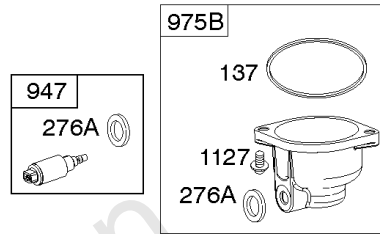
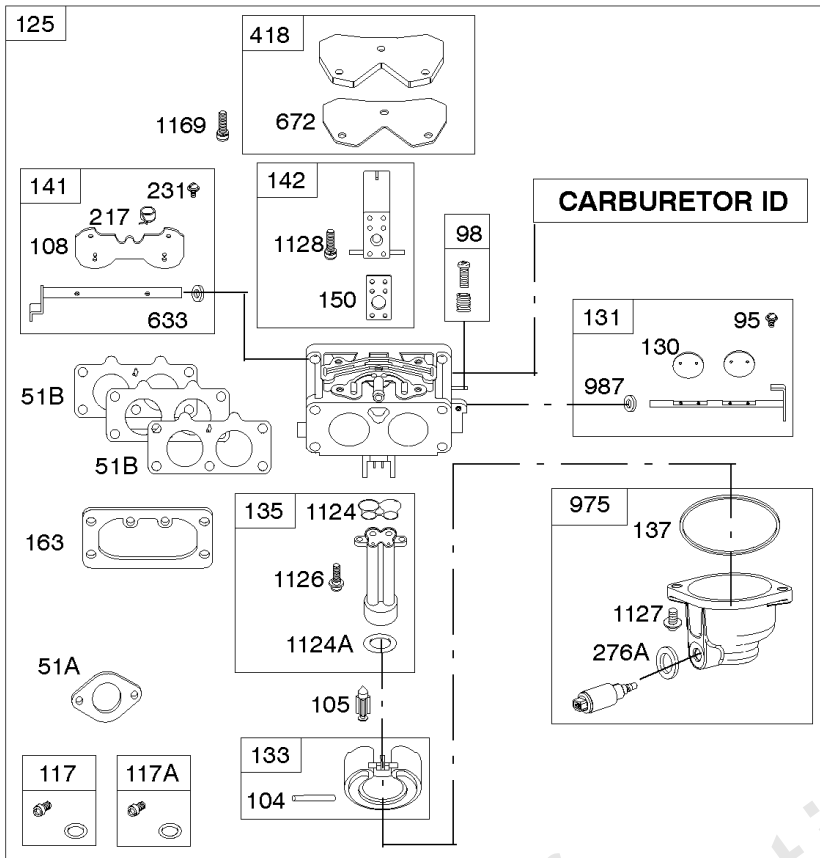


NOTE: Carburetor Illustrations Represents Several Carburetors. Parts Shown In The Service Box May Not Be Included In All Kits.

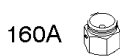
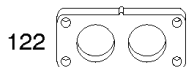
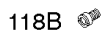
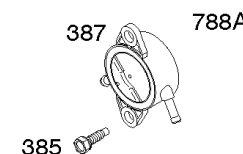
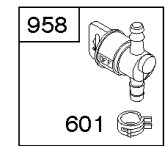
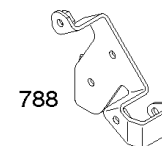
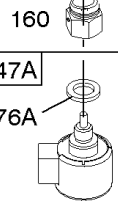
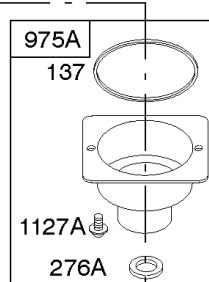
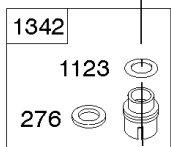
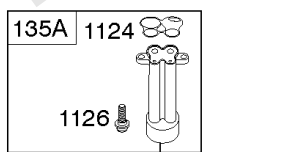
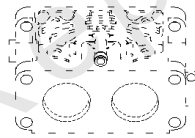
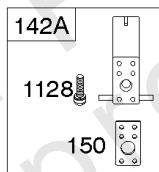
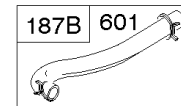
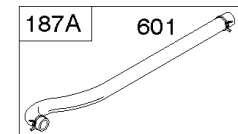
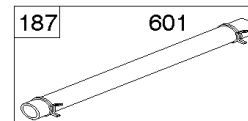
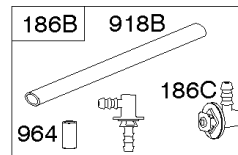


Carburetor, Fuel Supply

REF NO	PART NO	QTY	DESCRIPTION
217	799771		SPRING, Choke Return
231	690718		SCREW -(Choke Valve)
240	691035		Filter-Fuel -(Includes Paper Element With A 40 Micron Rating)
240A	695666		Filter-Fuel -(Includes Paper Element With A 30 Micron Rating)
276	690997		Washer-Sealing -Fiber
276A	794271		Washer-Sealing -Steel Float Bowl
276A	695410		WASHER, Sealing -Aluminum Float Bowl
385	691108		SCREW -(Fuel Pump) (Fuel Pump Mounted To Fuel Pump Bracket)
385	797409		SCREW -(Fuel Pump) (Fuel Pump Mounted To Blower Housing)
387	808656		PUMP, Fuel
418	795912		PLATE, Carburetor Cover
601	691038		CLAMP, Hose -(Black)
601	791850		CLAMP, Hose -(Green)
613	690341		SCREW -(Muffler)
613A	690297		Screw -(Muffler)
633	690998		Seal-Choke/Thr Shaft -(Manual Choke)
633	699813		SEAL, Choke/Throttle Shaft -(Choke A Matic)
672	690234		Gasket-Carburetor Plate
788	691039		Bracket-Fuel Pump -Used Before Code Date 06072800
788A	793145		Bracket-Fuel Pump -Used After Code Date 06072700
918B	799160		HOSE, Vacuum -(Length 9.4 Inches)
947	-		Solenoid-Fuel -(No Longer Available. Used On Double Barrel Steel Bowl Carburetors. Must Service With Reference 975 Bowl/Solenoid Kit.) -Used After Code Date 04080300
947	798779		Solenoid-Fuel -(Used On Double Barrel Aluminum Bowl Carburetors)
947A	499809		Solenoid-Fuel -(Used On Double Barrel Steel Bowl Carburetors) -Used Before Code Date 04080400
958	698183		Valve-Fuel Shut Off -(Plastic)
964	799159		CAP, Connector
975	798778		Bowl-Float -(Used On Double Barrel Steel And Aluminum Bowl Carburetors) -Used After Code Date 04080300
975A	499810		Bowl-Float -(Used On Double Barrel Steel Bowl Carburetors) -Used Before Code Date 04080400
987	691000		SEAL, Throttle Shaft
1123	690987		Seal-O Ring -(Solenoid Retainer) -Used Before Code Date 04091500



NOTE: Carburetor Illustrations Represents Several Carburetors. Parts Shown In The Service Box May Not Be Included In All Kits.



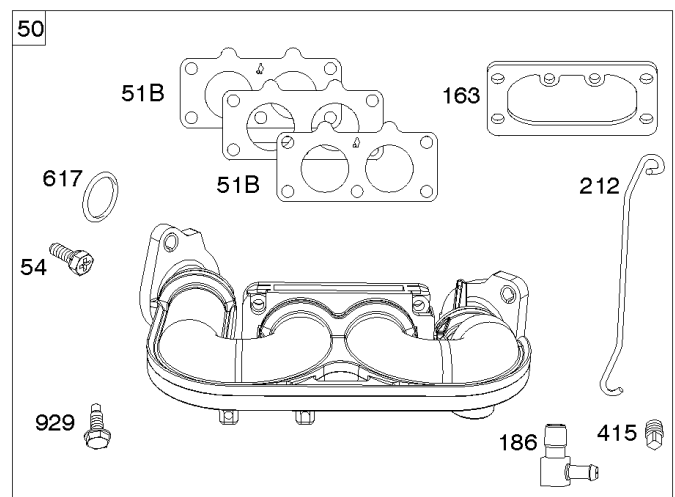
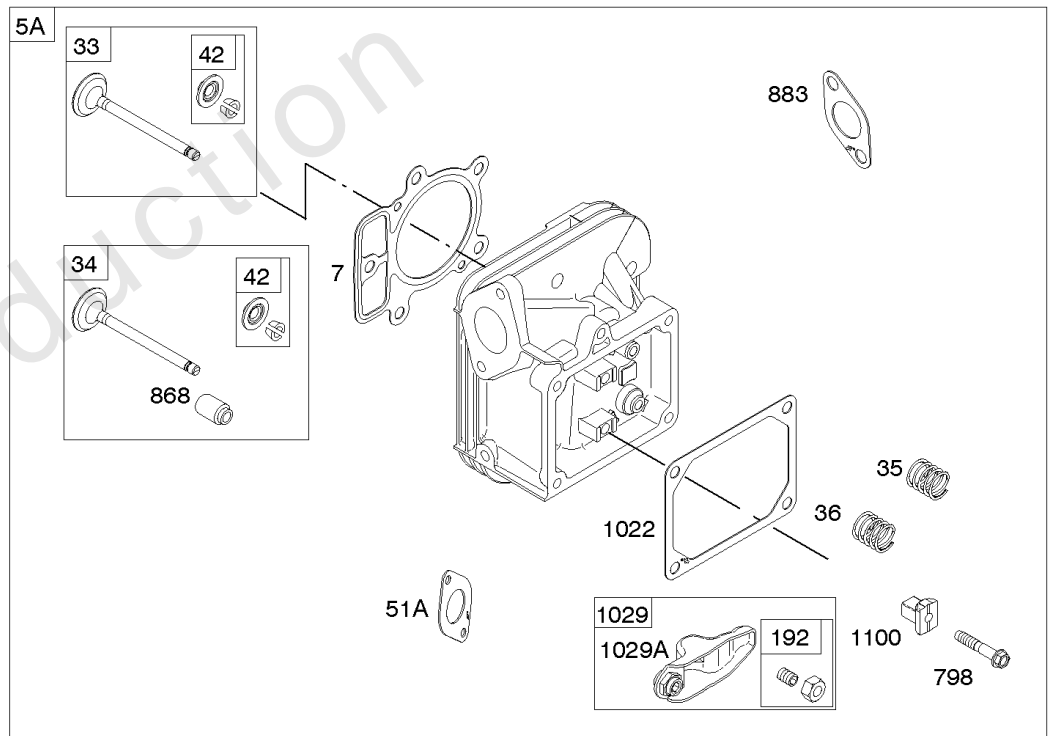
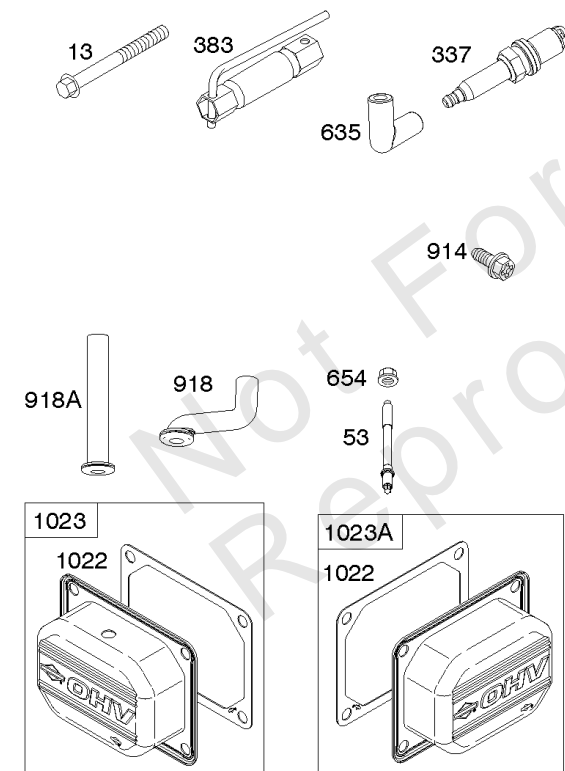
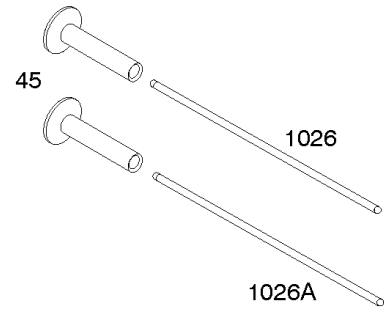
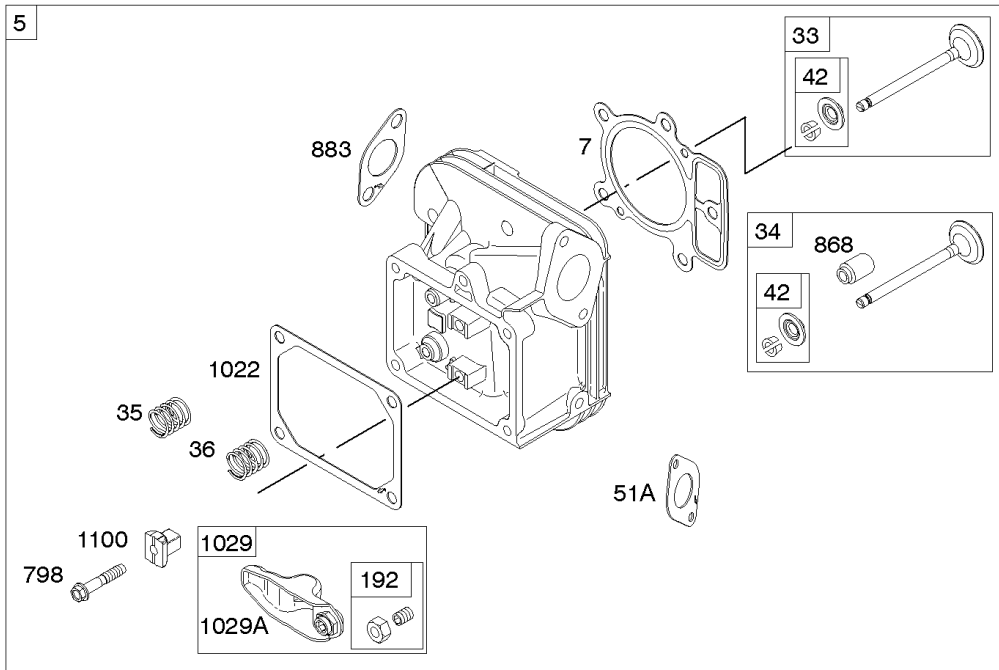
Carburetor, Fuel Supply

REF NO	PART NO	QTY	DESCRIPTION
1123	699725		Seal-O Ring -(Solenoid Retainer) -Used After Code Date 04091400
1124	690988		SEAL, O-Ring -(Fuel Transfer Tube)
1124A	841653		SEAL, O-Ring -(Fuel Transfer Tube)
1126	690991		SCREW -(Fuel Transfer Tube)
1127	695407		SCREW, Float Bowl -(Float Bowl to Carburetor Body) Aluminum Float Bowl
1127A	690992		Screw -(Float Bowl to Carburetor Body) Steel Float Bowl
1128	690990		SCREW -(Carburetor Nozzle)
1169	690990		SCREW -(Carburetor Cover Plate)
1342	699731		Extension-Fuel Transfer Tube -(Used On Double Barrel Steel Bowl Carburetors)

Not For
Reproduction

Cylinder Head, Rocker Arm Cover, Intake Manifold

Mfg. No: 406777-0154-E1

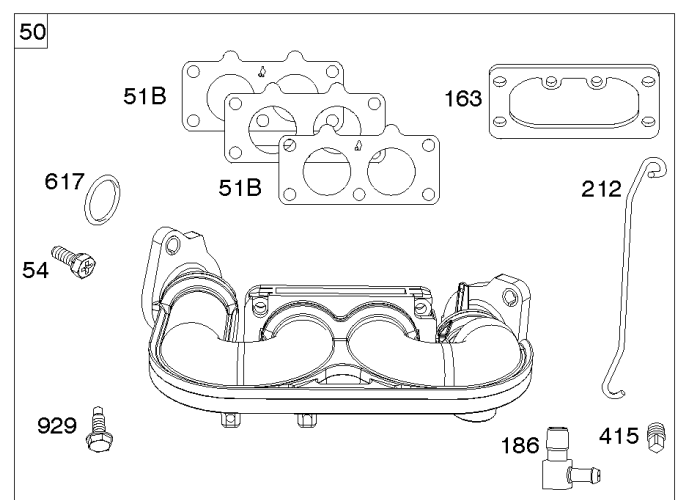
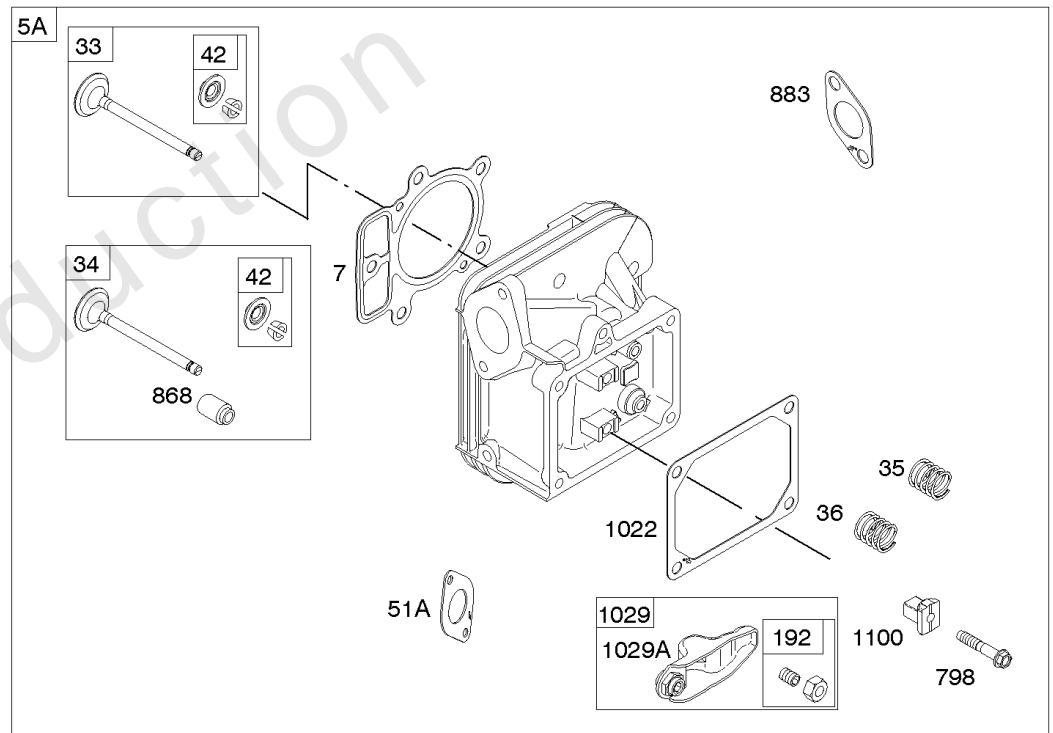
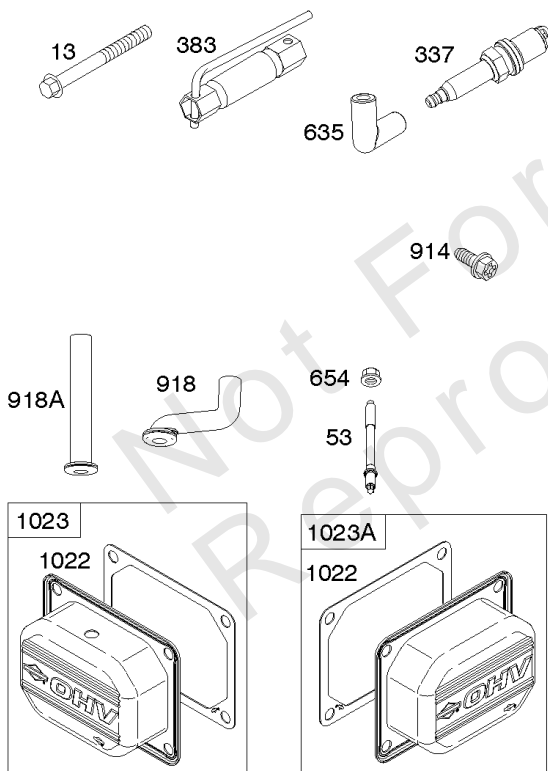
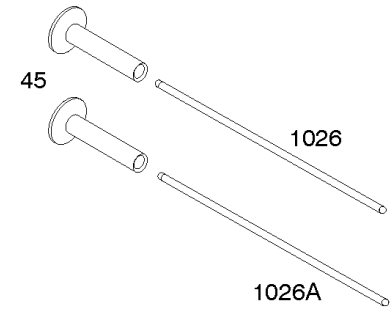
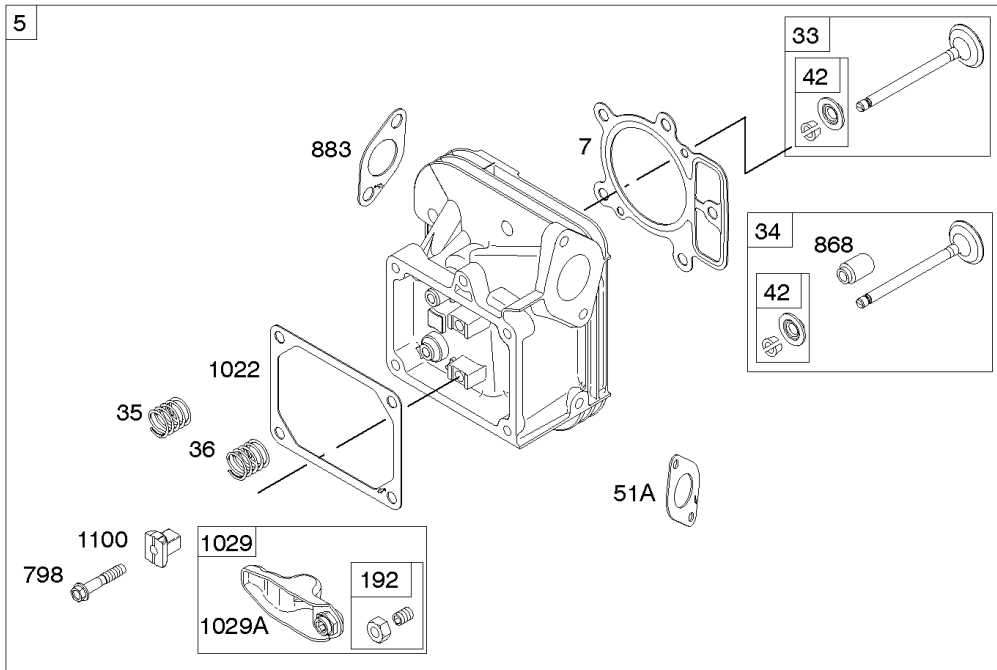


Cylinder Head, Rocker Arm Cover, Intake Manifold

REF NO	PART NO	QTY	DESCRIPTION
5	796231		HEAD, Cylinder -(Cylinder #1)
5A	796232		HEAD, Cylinder -(Cylinder #2)
7	693997		GASKET, Cylinder Head
13	793988		Screw -(Cylinder Head) -Used After Code Date 08063000
13	791130		Screw -(Cylinder Head) -Used Before Code Date 08070100
33	697576		VALVE, Exhaust
34	792200		VALVE, Intake
35	694865		SPRING, Valve -(Intake)
36	694865		SPRING, Valve -(Exhaust)
42	499586		KEEPER, Valve
45	690977		TAPPET, Valve
50	695241		Manifold-Intake -Used Before Code Date 12040300
50	591784		Manifold-Intake -Used After Code Date 12040200
51A	690949		GASKET, Intake
51B	690950		GASKET, Intake
53	690951		STUD -(Carburetor)
54	699816		SCREW -(Intake Manifold)
163	691001		GASKET, Air Cleaner
186	795985		CONNECTOR, Hose -(Intake Manifold)
192	690083		ADJUSTER, Rocker Arm
212	695238		LINK, Throttle -Used After Code Date 08071300
212	792265		LINK, Throttle -Used Before Code Date 08071400
337	691043		PLUG, Spark
383	19576S		WRENCH, Spark Plug
415	794903		PLUG
617	697891		Seal-O Ring -(Intake Manifold)
635	692076		BOOT, Spark Plug
654	690958		NUT -(Carburetor)
798	697890		SCREW -(Rocker Arm)
868	690968		SEAL, Valve
883	690970		Gasket-Exhaust
914	691127		SCREW -(Rocker Cover)
918	793147		Hose-Vacuum -(Formed Hose)
918A	694000		Hose-Vacuum -(Length 1.6 Inches)
918A	797408		Hose-Vacuum -(Length 3.2 Inches)
929	695239		SCREW -(Choke Control Bracket)

Cylinder Head, Rocker Arm Cover, Intake Manifold

Mfg. No: 406777-0154-E1



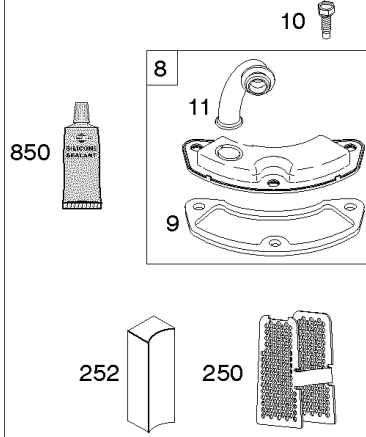
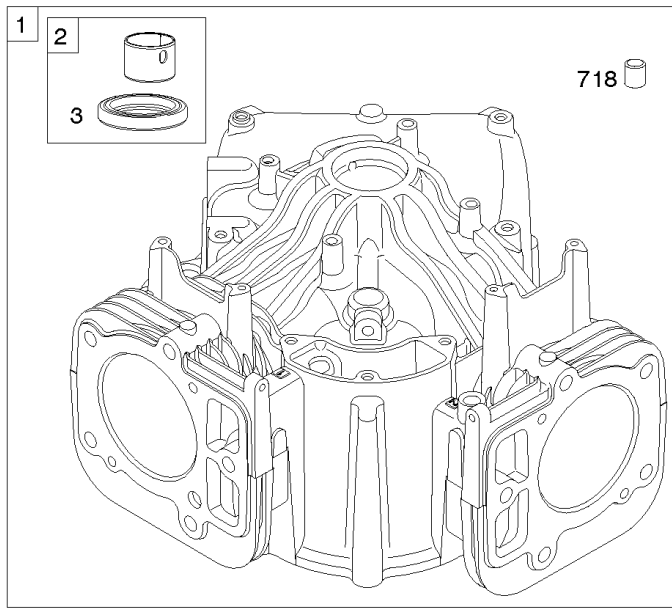
Cylinder Head, Rocker Arm Cover, Intake Manifold

REF NO	PART NO	QTY	DESCRIPTION
1022	690971		GASKET, Rocker Cover
1023	793146		COVER, Rocker -(Cylinder #1) -Used After Code Date 06090400
1023	499599		Cover-Rocker -(Cylinder #1) -Used Before Code Date 06090500
1023A	499600		COVER, Rocker -(Cylinder #2)
1026	690981		ROD, Push -(Steel)
1026A	690982		ROD, Push -(Aluminum)
1029	690972		ARM, Rocker
1029A	807323		ARM, Rocker
1100	791959		PIVOT, Rocker Arm

Not For
Reproduction

Cylinder, Crankshaft, Camshaft, Air Guides, Pistons, Rings, Connecting Rod

Mfg. No: 406777-0154-E1



1319 WARNING LABEL

REQUIRED when replacing parts with warning labels affixed.

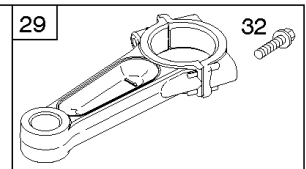
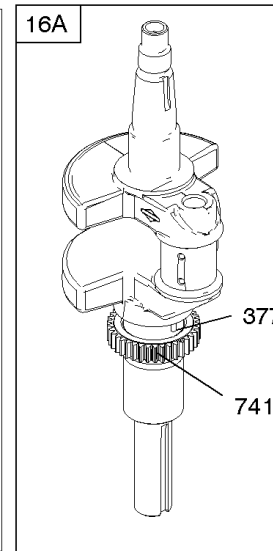
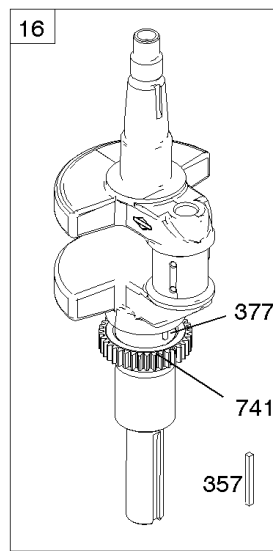
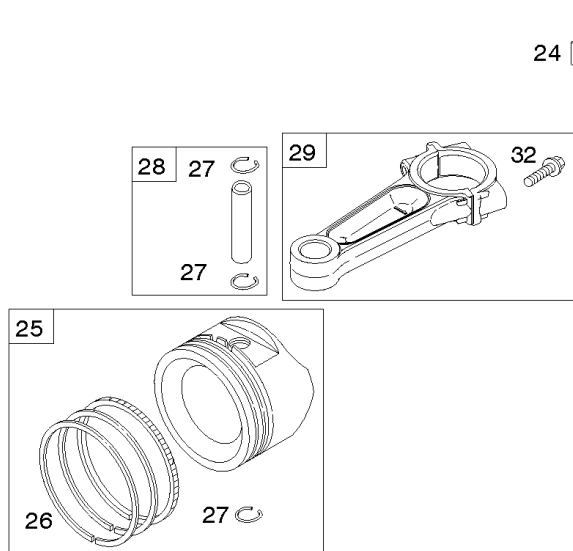
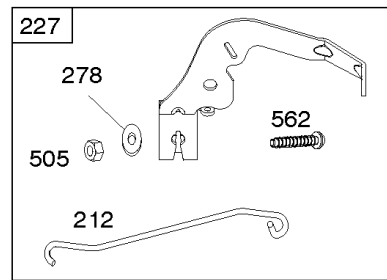
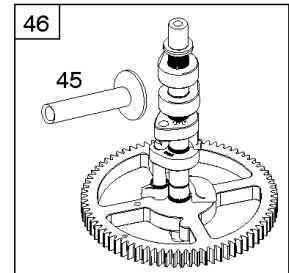
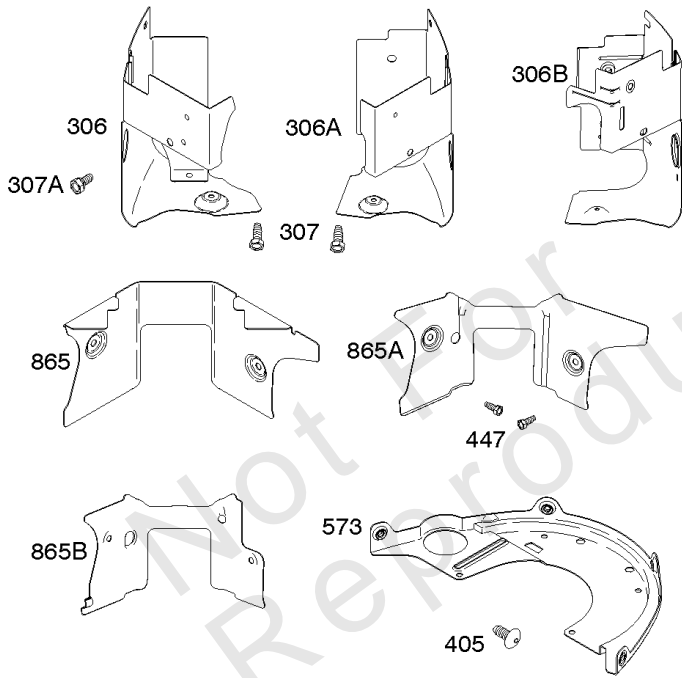
1319A WARNING LABEL

REQUIRED when replacing parts with warning labels affixed.

1058 OPERATOR'S MANUAL

1330 REPAIR MANUAL

1036 EMISSIONS LABEL

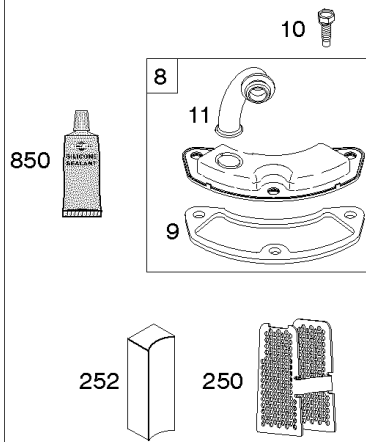
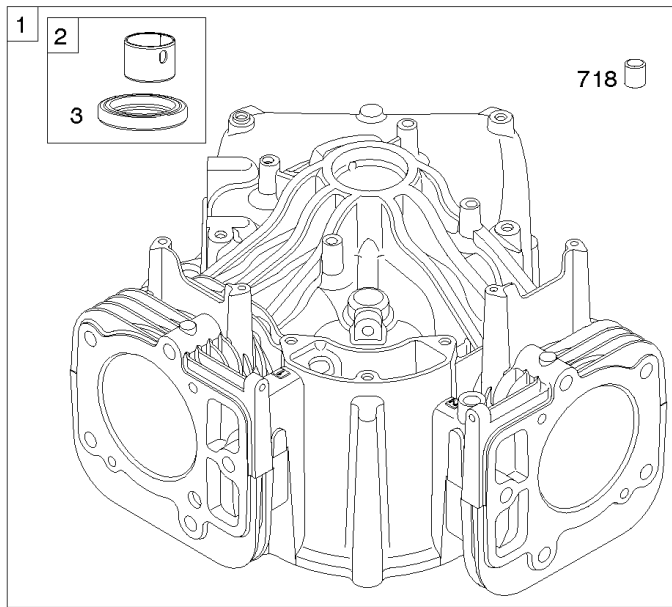


Cylinder, Crankshaft, Camshaft, Air Guides, Pistons, Rings, Connecting Rod

REF NO	PART NO	QTY	DESCRIPTION
1	699751		Cylinder Assembly -Used After Code Date 03082800 -Used Before Code Date 07071000
1	795118		Cylinder Assembly -Used After Code Date 07070900
2	797673		KIT, Bushing/Seal -(Magneto Side)
3	391086S		SEAL, Oil -(Magneto Side)
8	792185		Breather Assembly
9	690937		Gasket-Breather
10	691108		SCREW -(Breather Assembly)
11	792184		Tube-Breather
16	796237		CRANKSHAFT -Used After Code Date 04010800
16A	699701		Crankshaft -(Includes Connecting Rod) -Used Before Code Date 04010900
24	222698S		KEY, Flywheel
25	793647		PISTON ASSEMBLY -(Standard)
25	793648		PISTON ASSEMBLY -(.020" Oversize) -Used After Code Date 06082300
26	499606		Ring Set-STD -(.020" Oversize) -Used Before Code Date 06082400
26	499604		Ring Set-STD -(Standard) -Used Before Code Date 06082400
26	791787		SET, Ring -(Standard) -Used After Code Date 06082300
26	793650		Ring Set-STD -(.020" Oversize) -Used After Code Date 06082300
27	690975		LOCK, Piston Pin
28	690229		Pin-Piston (STD) -(Standard)
29	-		Rod-Connecting -(For Replacement Connecting Rod, See Reference 16A) -Used Before Code Date 04010900
29	796209		ROD, Connecting -(Standard) -Used After Code Date 04010800
32	690976		SCREW -(Connecting Rod)
45	690977		TAPPET, Valve
46	790562		CAMSHAFT
212	792265		LINK, Throttle -Used Before Code Date 08071400
212	695238		LINK, Throttle -Used After Code Date 08071300
227	798856		LEVER, Governor Control
250	690957		Retainer-Breather
252	794389		Collector-Oil
278	792651		Washer -(Governor Control Lever)
306	796852		SHIELD, Cylinder -(Cylinder #1)

Cylinder, Crankshaft, Camshaft, Air Guides, Pistons, Rings, Connecting Rod

Mfg. No: 406777-0154-E1



1319 WARNING LABEL

REQUIRED when replacing parts with warning labels affixed.

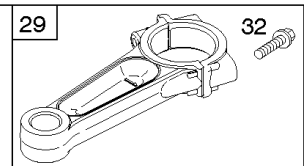
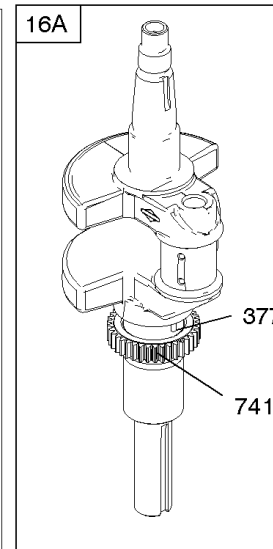
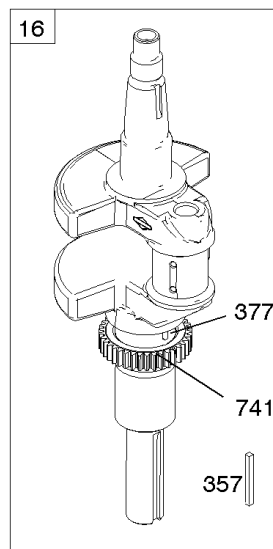
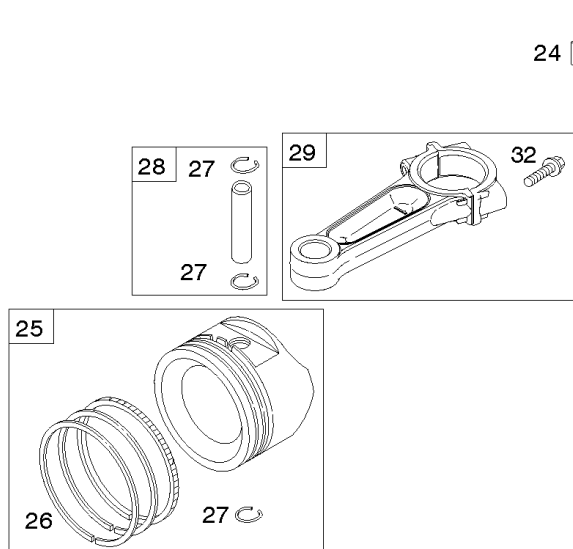
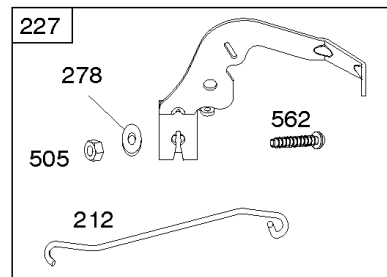
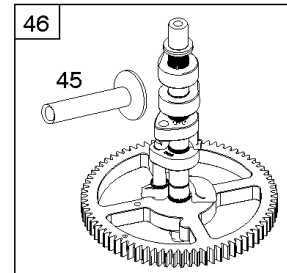
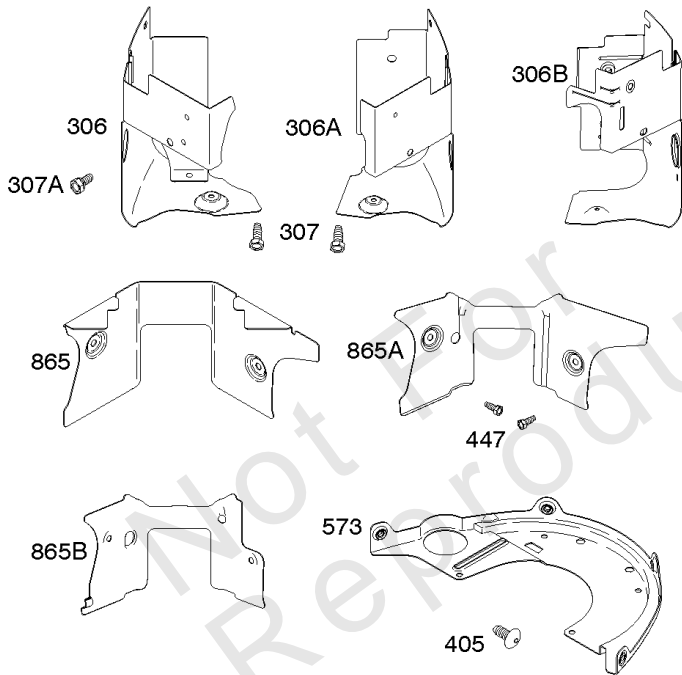
1319A WARNING LABEL

REQUIRED when replacing parts with warning labels affixed.

1058 OPERATOR'S MANUAL

1330 REPAIR MANUAL

1036 EMISSIONS LABEL

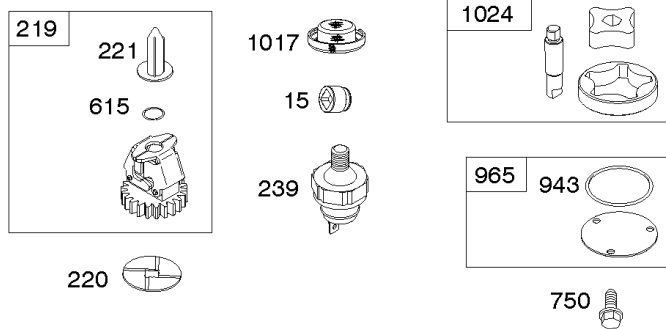
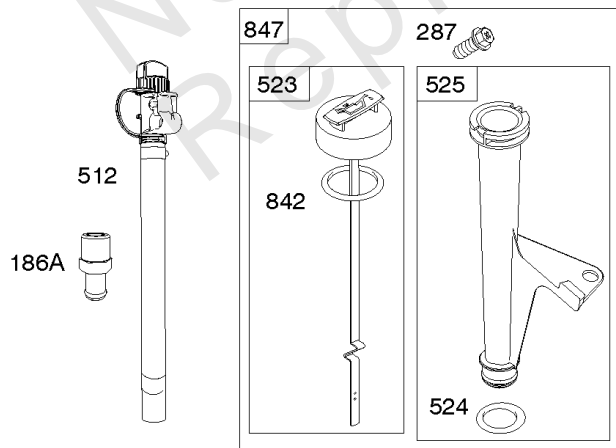
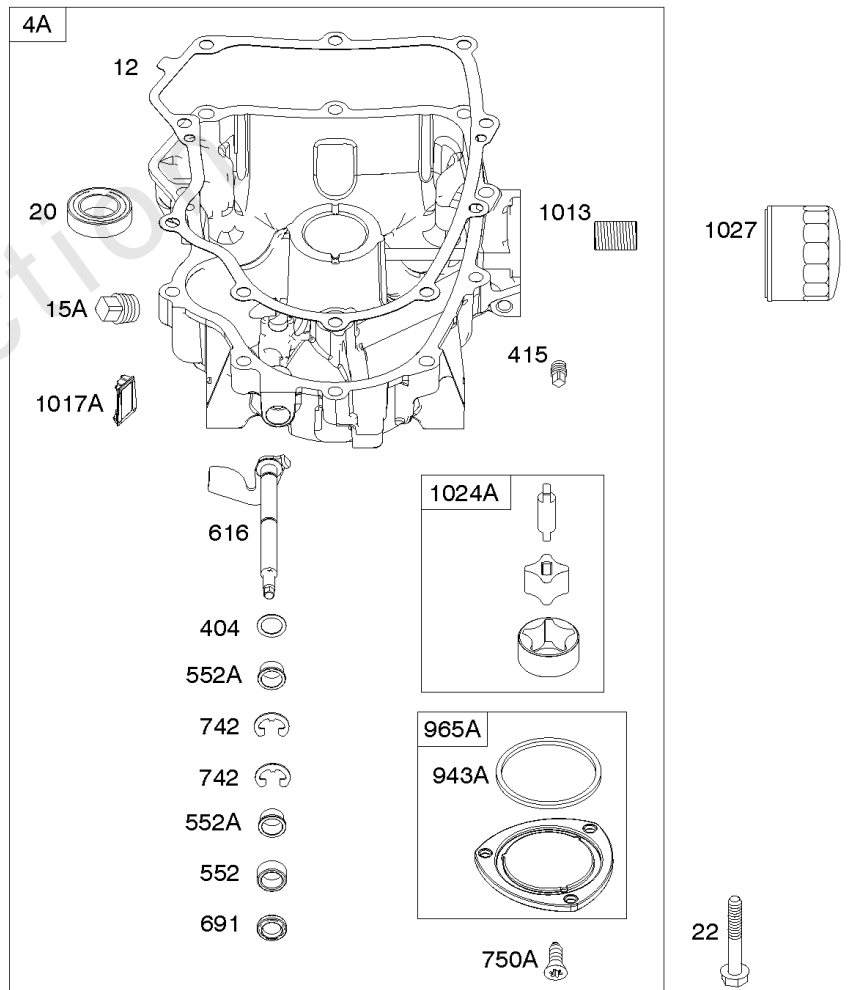
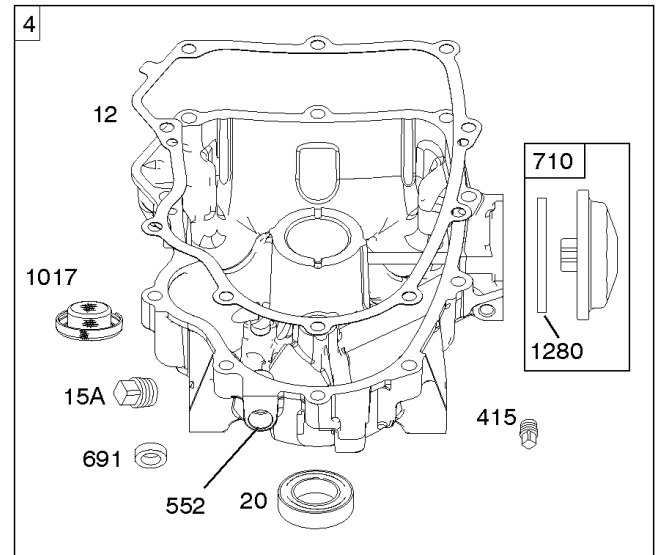
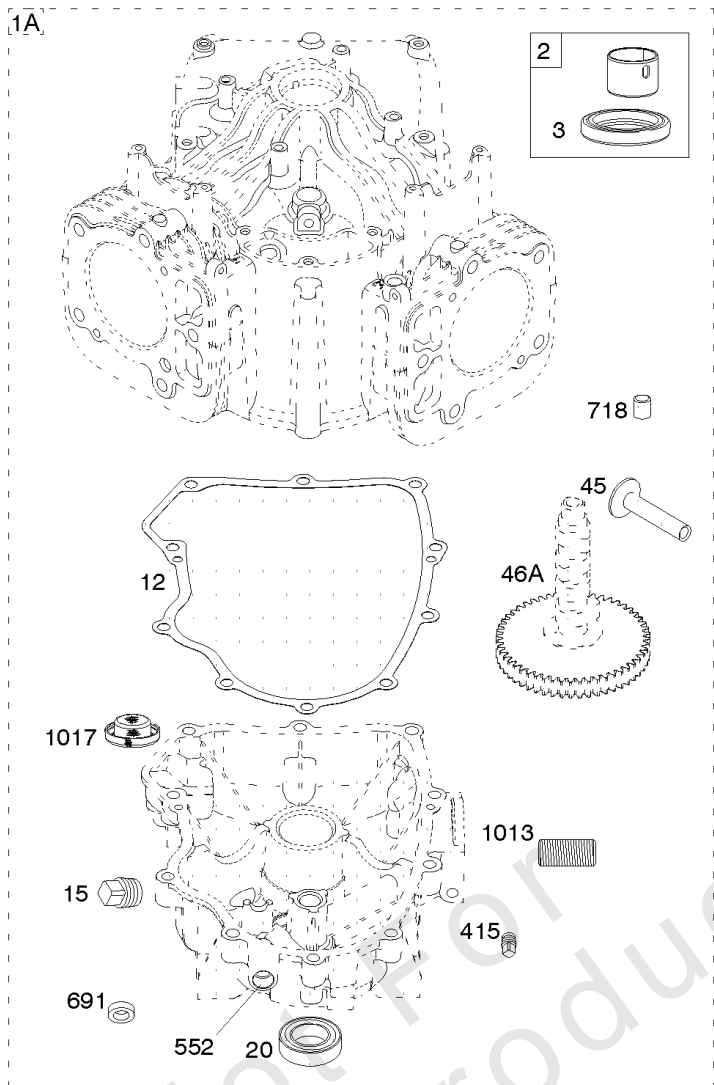


Cylinder, Crankshaft, Camshaft, Air Guides, Pistons, Rings, Connecting Rod

REF NO	PART NO	QTY	DESCRIPTION
306A	798855		Shield-Cylinder -(EVAP Fitting Compatible) -Used After Code Date 10052300
306A	796541		Shield-Cylinder -(Cylinder #2) -Used After Code Date 08080300 -Used Before Code Date 10052400
306A	793205		Shield-Cylinder -(Cylinder #2) -Used Before Code Date 08080400
307	691003		SCREW -(Cylinder Shield)
307A	691108		SCREW -(Cylinder Shield)
357	691483		Key-Drive Pulley
377	690979		KEY, Woodruff
405	697820		SCREW -(Back Plate) (Mounting)
447	691003		SCREW -(Air Guide Cover)
505	691029		NUT -(Governor Control Lever)
562	690311		BOLT -(Governor Control Lever)
573	790444		Plate-Back
718	690959		PIN, Locating
741	690980		GEAR, Timing
850	100106		SEALANT, Liquid
865	691015		Cover-Air Guide -(Valley)
1036	-		Label-Emissions
1058	381258TRI		Operator's Manual
1319	794467		LABEL, Warning
1319A	797669		LABEL, Warning
1330	273521		Repair Manual

Engine Sump, Oil Pump, Dipstick/Tube Assembly

Mfg. No: 406777-0154-E1

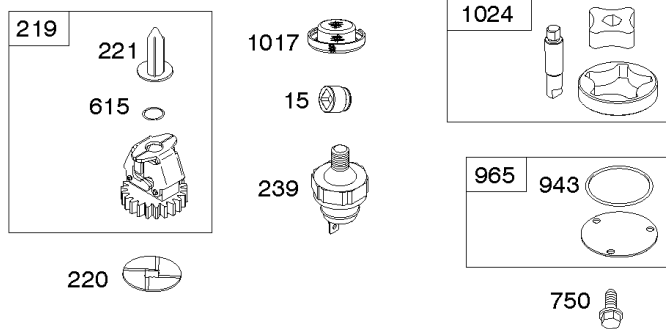
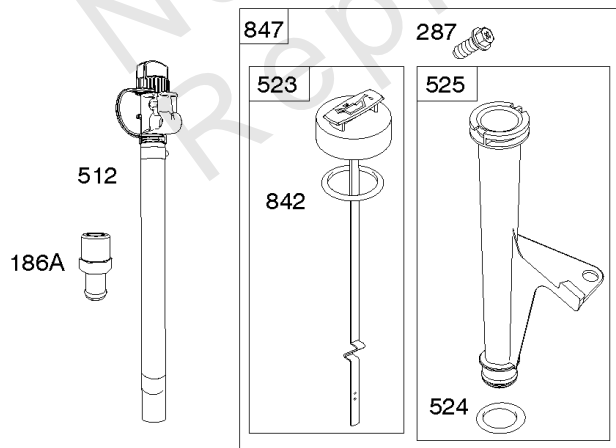
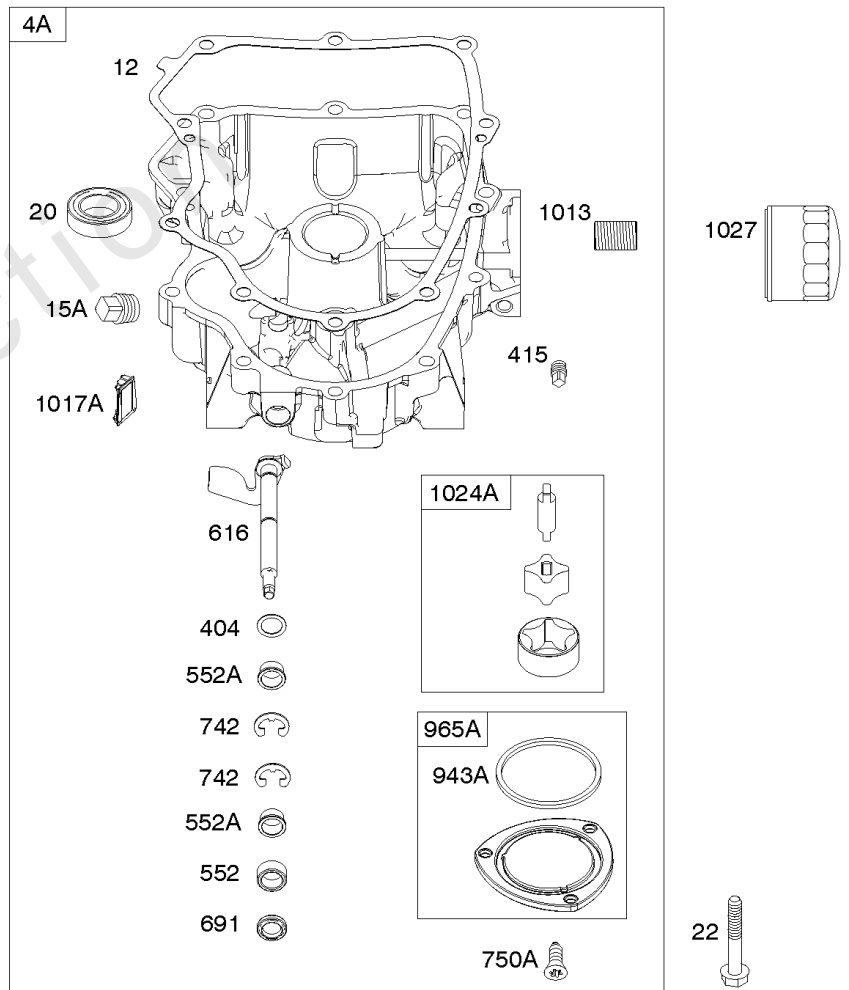
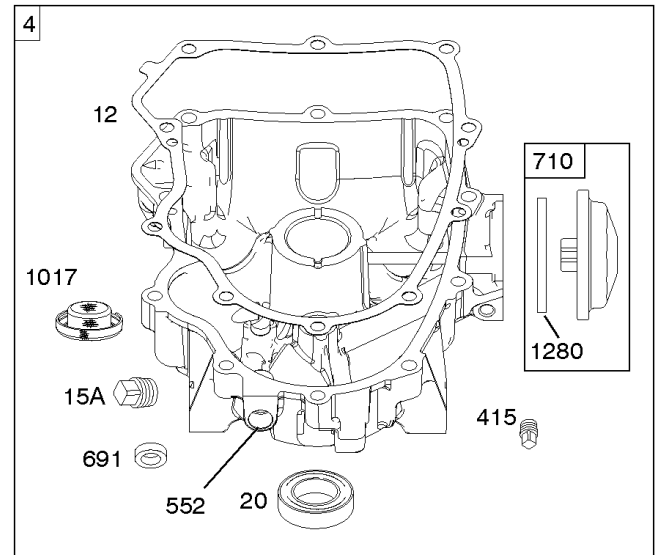
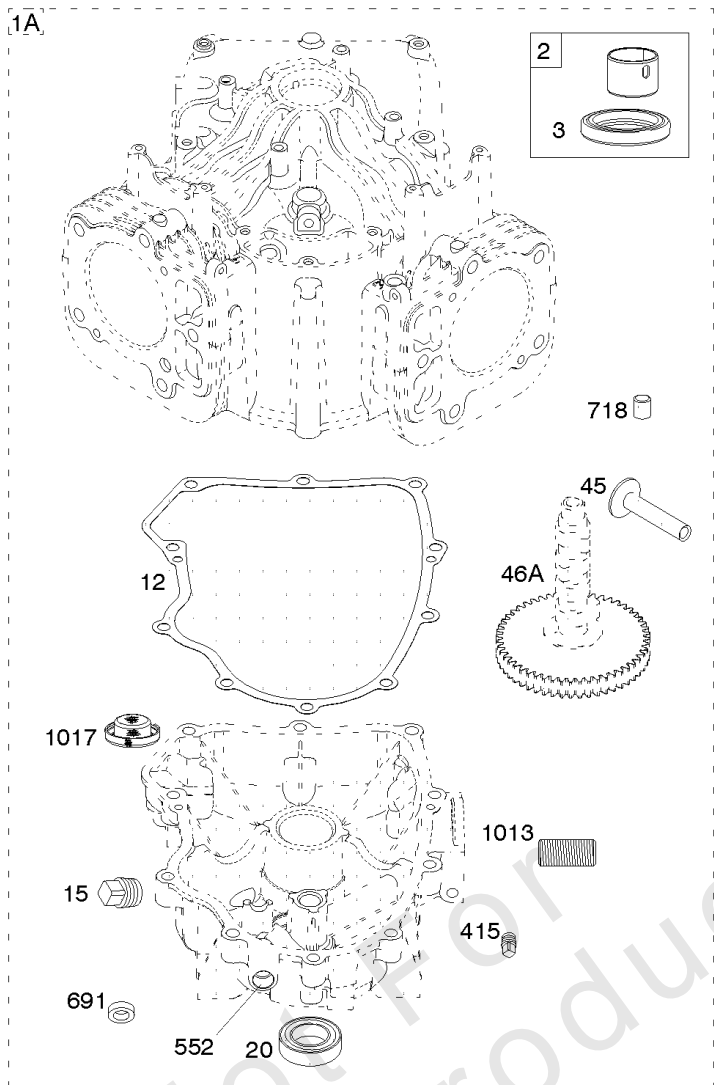


Engine Sump, Oil Pump, Dipstick/Tube Assembly

REF NO	PART NO	QTY	DESCRIPTION
1A	-		Cylinder Assembly -(No Longer Available-Contact A Briggs & Stratton Authorized Dealer for Replacement Short Block) -Used Before Code Date 03082900
2	797673		KIT, Bushing/Seal -(Magneto Side)
3	391086S		SEAL, Oil -(Magneto Side)
4A	-		Sump-Engine -(No Longer Available-Contact A Briggs & Stratton Authorized Dealer for Replacement Short Block) -Used Before Code Date 03082900
4A	796307		Sump-Engine -Used After Code Date 03082800
12	697227		Gasket-Crankcase
15	691680		Plug-Oil Drain -Used Before Code Date 08071800
15A	690946		PLUG, Oil Drain -Used After Code Date 08071700
20	795387		SEAL, Oil -(PTO Side)
22	694966		SCREW -(Crankcase Cover/Sump)
45	690977		TAPPET, Valve
46A	-		Camshaft -(No Longer Available-Contact A Briggs & Stratton Authorized Dealer for Replacement Short Block) -Used Before Code Date 03082900
186A	796532		CONNECTOR, Hose -(EVAP)
219	793338		GEAR, Governor
220	799772		WASHER -(Governor Gear)
221	841026		CUP, Governor
239	792028		Switch-Oil Pressure
287	697820		SCREW -(Dipstick Tube)
404	690442		WASHER -(Governor Crank)
415	794903		PLUG
512	796530		Hose-Oil Drain
523	691036		Dipstick
524	691032		SEAL, O-Ring
525	691037		TUBE, Dipstick
552	796638		BUSHING, Governor Crank
552A	690553		BUSHING, Governor Crank
615	698290		RETAINER, Governor Shaft
616	691045		CRANK, Governor
691	790574		SEAL, Governor Shaft
718	690959		PIN, Locating
742	690328		RETAINER, E Ring
750	696999		Screw -(Oil Pump Cover) -Used Before Code Date 08071800
750A	796208		SCREW -(Oil Pump Cover) -Used After Code Date 08071700
842	691031		SEAL, O-Ring -(Dipstick Tube)

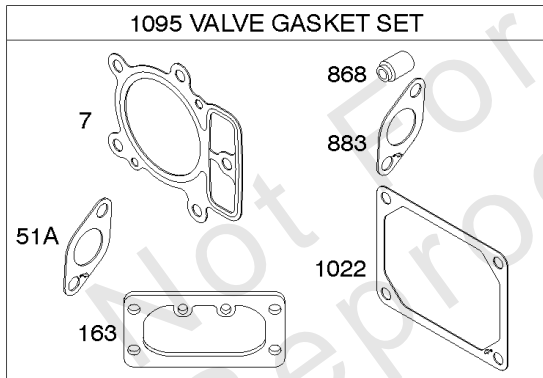
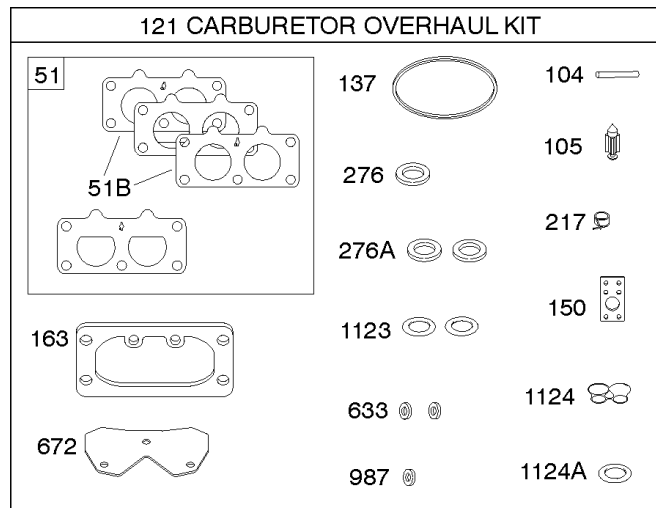
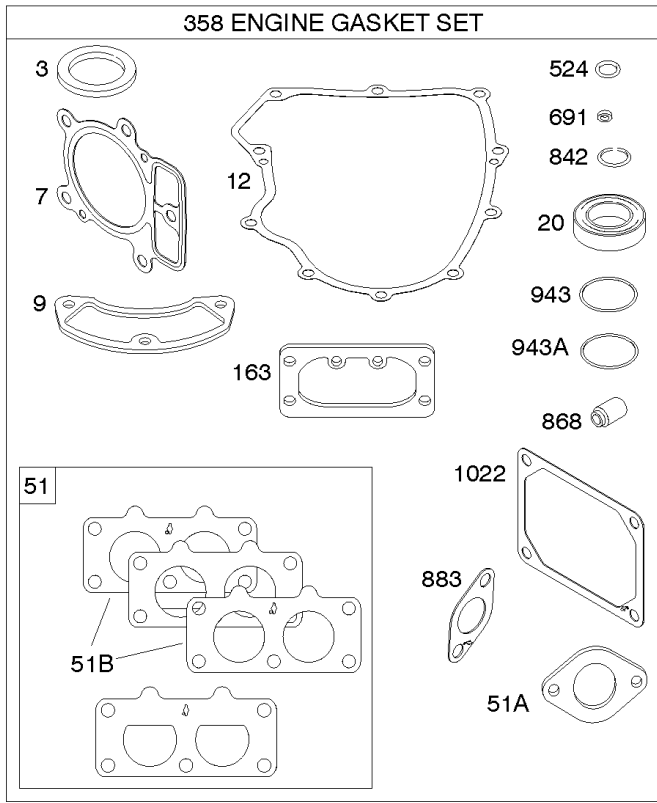
Engine Sump, Oil Pump, Dipstick/Tube Assembly

Mfg. No: 406777-0154-E1



Engine Sump, Oil Pump, Dipstick/Tube Assembly

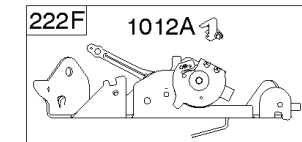
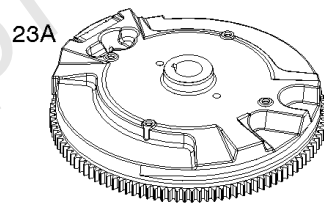
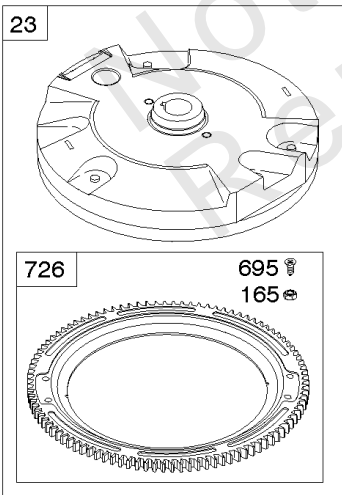
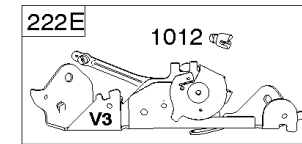
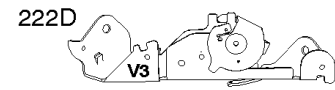
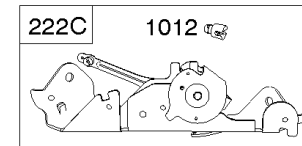
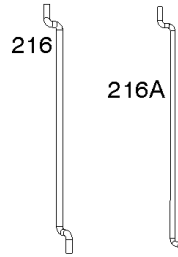
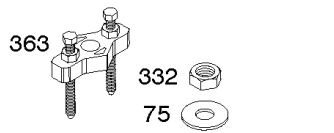
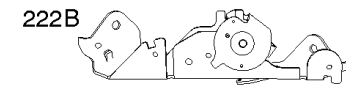
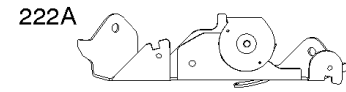
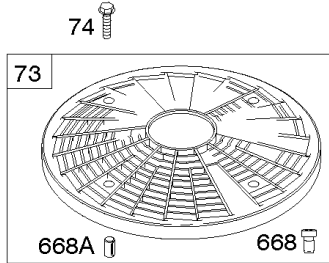
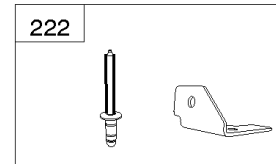
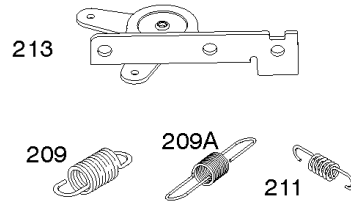
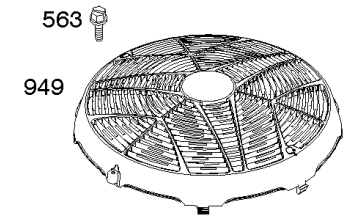
REF NO	PART NO	QTY	DESCRIPTION
847	499602		Dipstick/Tube Assembly
943	690589		Seal-O Ring -(Oil Pump Cover) -Used Before Code Date 08071800
943A	796222		SEAL, O-Ring -(Oil Pump Cover) -Used After Code Date 08071700
965	499613		Cover-Oil Pump -Used Before Code Date 08071800
965A	796221		COVER, Oil Pump -Used After Code Date 08071700
1013	690954		NIPPLE, Oil Filter
1017	690770		Screen-Oil Pump -Used Before Code Date 08071800
1017A	796214		SCREEN, Oil Pump -Used After Code Date 08071700
1024	794644		Pump-Oil -Used Before Code Date 08071800
1024A	796220		PUMP, Oil -Used After Code Date 08071700
1027	795890		Filter-Oil -(Yellow)
1027	492932S		Filter-Oil -(Black)
1280	697475		Seal-O Ring -(Oil Filter Cover)



Reproduction

Engine/Valve Gasket Set, Carburetor Overhaul Kit

REF NO	PART NO	QTY	DESCRIPTION
3	391086S		SEAL, Oil -(Magneto Side)
7	693997		GASKET, Cylinder Head
9	690937		Gasket-Breather
12	697227		Gasket-Crankcase
20	795387		SEAL, Oil -(PTO Side)
51	795123		GASKET, Intake
51A	690949		GASKET, Intake
51B	690950		GASKET, Intake
104	694918		PIN, Float Hinge
105	797410		Valve-Float Needle
121	797890		KIT, Carburetor Overhaul
137	690994		GASKET, Float Bowl
150	841649		GASKET, Nozzle
163	691001		GASKET, Air Cleaner
217	799771		SPRING, Choke Return
276	690997		Washer-Sealing -Fiber
276A	794271		Washer-Sealing -Steel Float Bowl
276A	695410		WASHER, Sealing -Aluminum Float Bowl
358	694012		GASKET SET, Engine
524	691032		SEAL, O-Ring
633	699813		SEAL, Choke/Throttle Shaft -(Choke A Matic)
633	690998		Seal-Choke/Thr Shaft -(Manual Choke)
672	690234		Gasket-Carburetor Plate
691	790574		SEAL, Governor Shaft
842	691031		SEAL, O-Ring -(Dipstick Tube)
868	690968		SEAL, Valve
883	690970		Gasket-Exhaust
943	690589		Seal-O Ring -(Oil Pump Cover) -Used Before Code Date 08071800
943A	796222		SEAL, O-Ring -(Oil Pump Cover) -Used After Code Date 08071700
987	691000		SEAL, Throttle Shaft
1022	690971		GASKET, Rocker Cover
1095	694013		SET, Valve Gasket
1123	690987		Seal-O Ring -(Solenoid Retainer) -Used Before Code Date 04091500
1123	699725		Seal-O Ring -(Solenoid Retainer) -Used After Code Date 04091400
1124	690988		SEAL, O-Ring -(Fuel Transfer Tube)
1124A	841653		SEAL, O-Ring -(Fuel Transfer Tube)



Flywheel, Controls

REF NO	PART NO	QTY	DESCRIPTION
23	691053		Flywheel
73	494439		SCREEN, Rotating
74	698425		SCREW -(Rotating Screen)
75	691056		WASHER -(Flywheel)
165	693148		Nut -(Ring Gear)
188	691108		SCREW -(Control Bracket)
209	693102		Spring-Governor -(Orange)
211	691019		Spring-Governed Idle -(No Color)
213	691021		BRACKET, Choke Control
216	691022		LINK, Choke -(Manual Choke)
216A	796229		LINK, Choke -(Choke A Matic)
222A	698761		Bracket-Control -(Manual Choke)
265	691024		CLAMP, Casing
267	792629		SCREW -(Casing Clamp)
332	691059		NUT -(Flywheel)
363	19203		PULLER, Flywheel
563	799359		Screw -(Debris Screen Guard)
668	691500		Spacer
668A	691215		Spacer
695	693149		Screw -(Ring Gear)
726	499612		Gear-Ring
934	592604		Screw -(Fan Retainer)
949	798767		Guard-Debris Screen
1005	499603		Fan-Flywheel -Used Before Code Date 04072000
1005	790698		Fan-Flywheel -Used After Code Date 04071900 -Used Before Code Date 06103000
1005	791236		FAN, Flywheel -Used After Code Date 06102900
1012	797926		Retainer-Link
1070	791680		Screw -(Flywheel Fan)

