



# Parts Manual

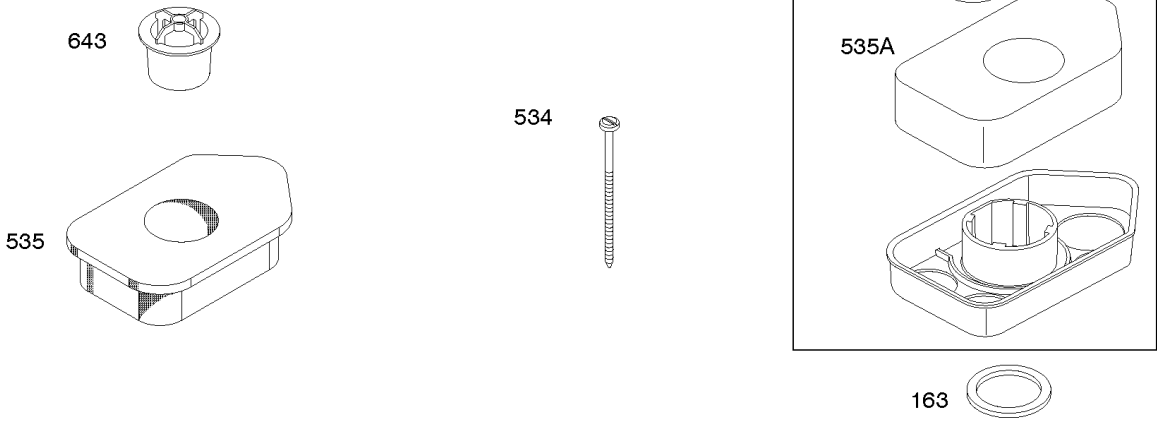
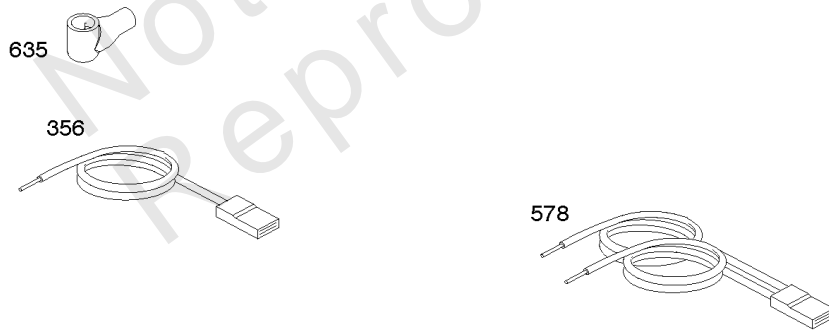
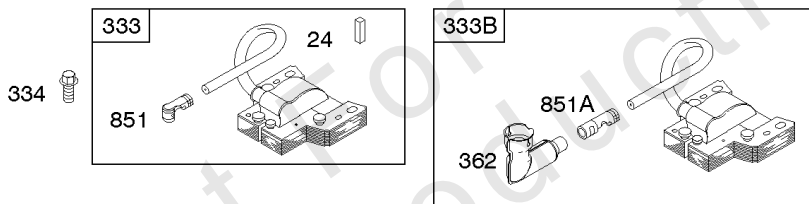
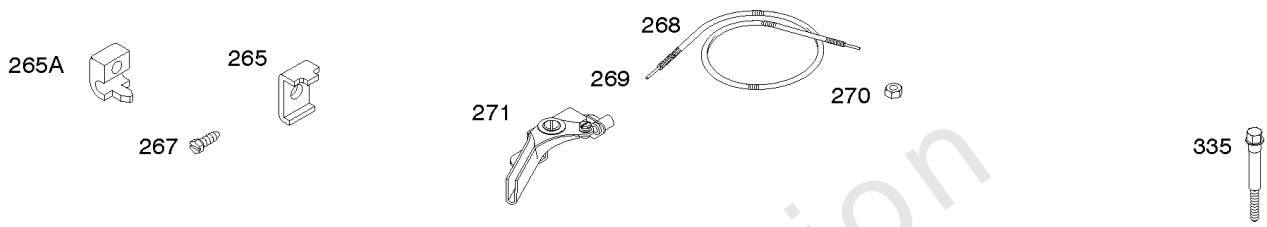
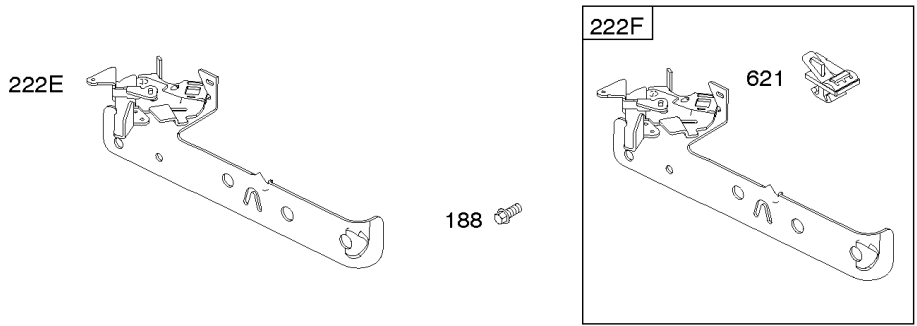
Mfg. No: 10A902-2272-E1



---

<b>Model Components</b>	<b>Page</b>
Air Cleaner, Controls, Governor Spring, Ignition.....	4
Blower Housing/Shrouds, Brake, Flywheel.....	6
Camshaft, Crankcase Cover/Sump, Crankshaft, Piston/Rings/Connecting Rod.....	10
Carburetor, Fuel Supply.....	14
Cylinder, Cylinder Head, Gasket Set - Engine, Gasket Set - Valve, Lubrication, Operator's Manual, Warning	16
Exhaust System.....	20
Replacement Engine.....	22
Rewind Starter.....	23

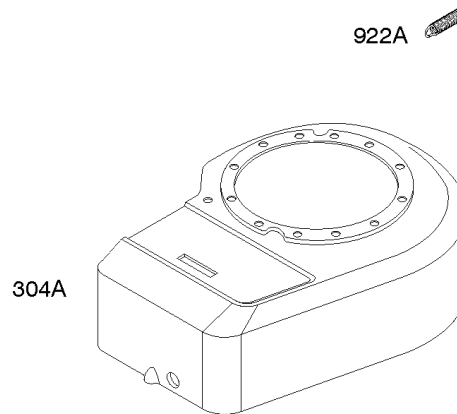
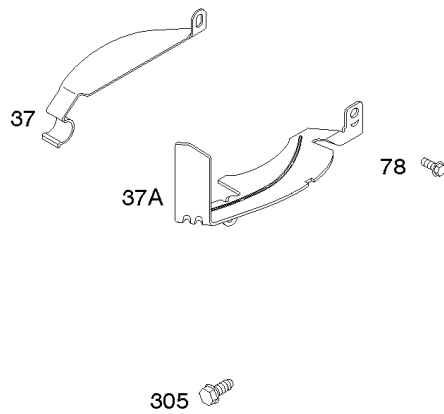
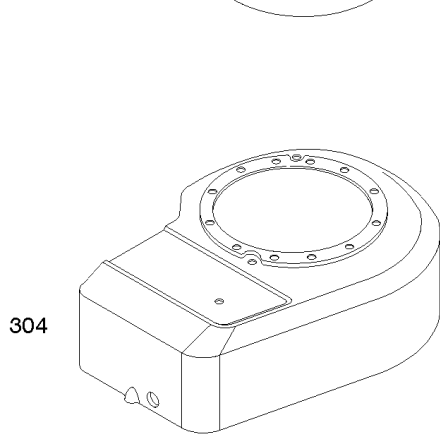
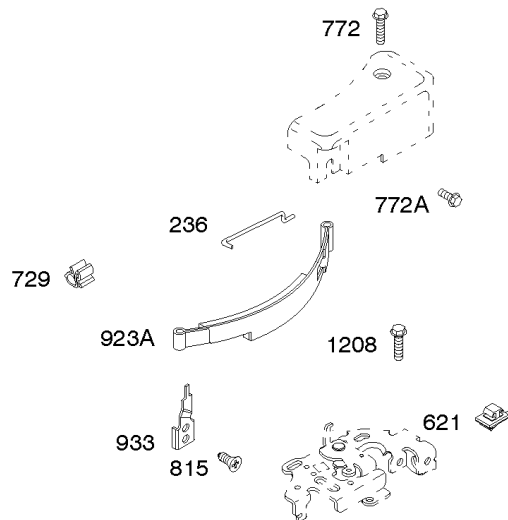
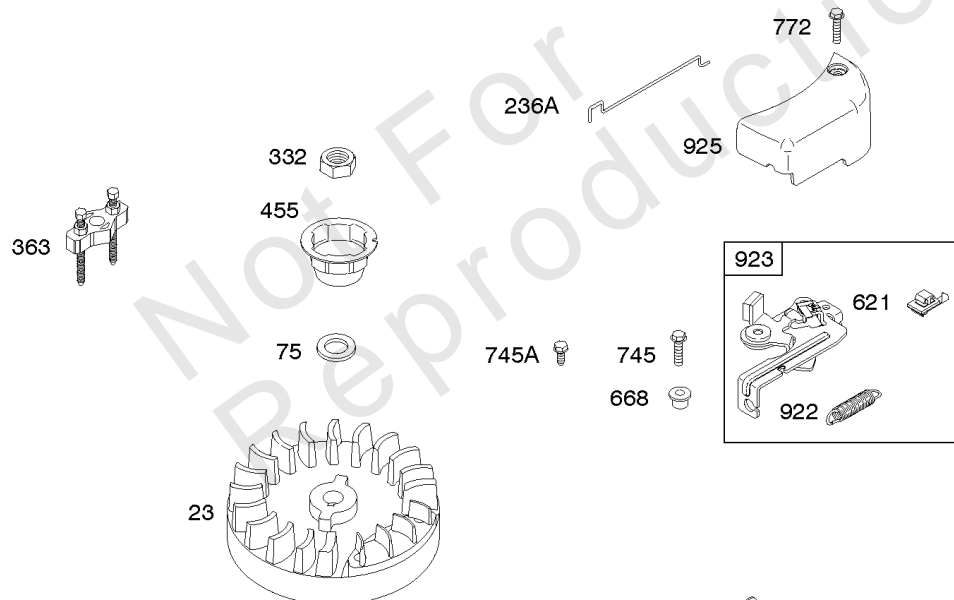
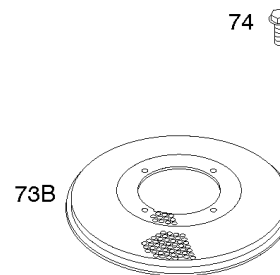
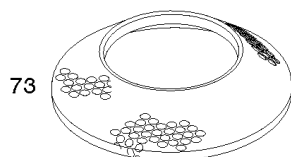
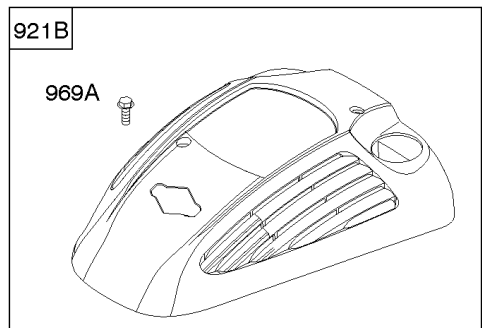
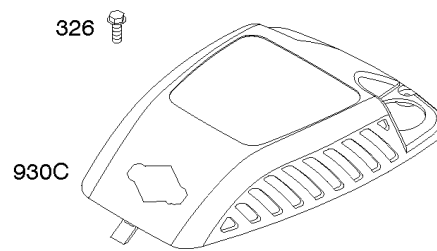
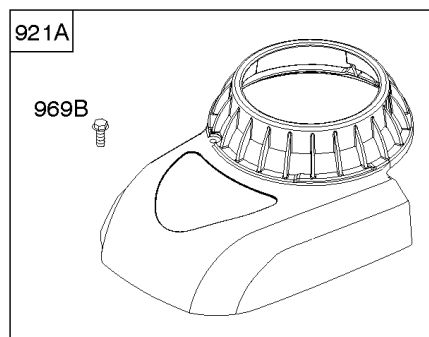
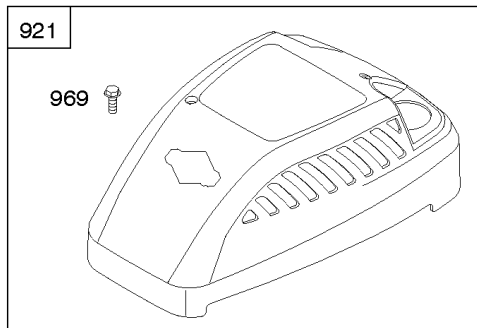
Not For  
Reproduction



## Air Cleaner, Controls, Governor Spring, Ignition

REF NO	PART NO	QTY	DESCRIPTION
24	222698S		KEY, Flywheel
163	271139S		Gasket-Air Cleaner
188	692198		Screw -(Control Bracket)
201	690347		Link-Air Vane
209	690254		Spring-Governor -Used After Code Date 96051900
211	691859		Spring-Governed Idle
222E	691446		Bracket-Control
222F	691445		Bracket-Control
265	691024		CLAMP, Casing
265A	690798		Clamp-Casing
267	691044		SCREW -(Casing Clamp)
268	691025		CASING, Control Wire -(72" Long)(Cut To Required Length)
269	691026		WIRE, Control -(78" Long)(Cut To Required Length)
270	691027		NUT -(Control Wire Casing)
271	691028		Lever-Control
333	793281		Armature-Magneto
333B	793352		Armature-Magneto
334	691061		SCREW -(Magneto Armature) (1" Long)
335	691107		Screw -(Magneto Armature With Air Vane) (1 15/16" Long)
356	692390		Wire-Stop
534	691417		Screw -(Air Cleaner)
535	272235S		Filter-Air Cleaner Foam -Used Before Code Date 02090100
535A	698369		Filter-Air Cleaner Foam -Used After Code Date 02083000
536	698472		Cleaner-Air
621	692310		Switch-Stop
635	66538S		BOOT, Spark Plug
643	691911		Retainer-Air Filter -Used Before Code Date 97100600
851	493880S		TERMINAL, Spark Plug
851A	692424		Terminal-Spark Plug

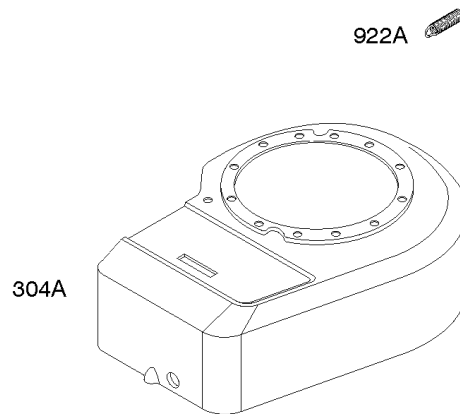
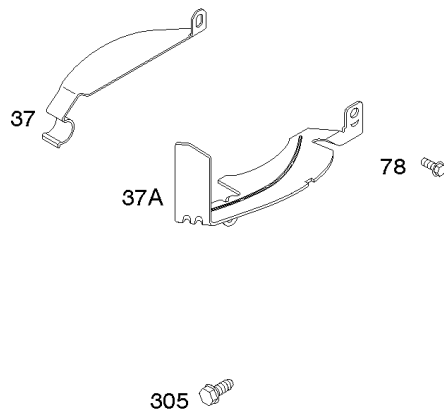
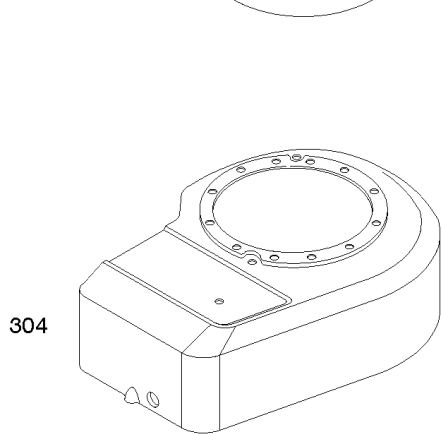
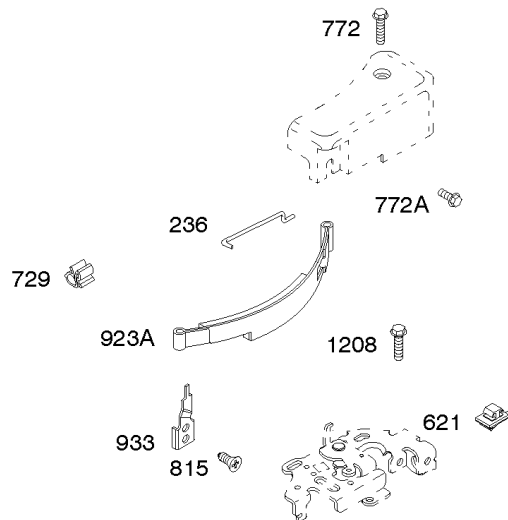
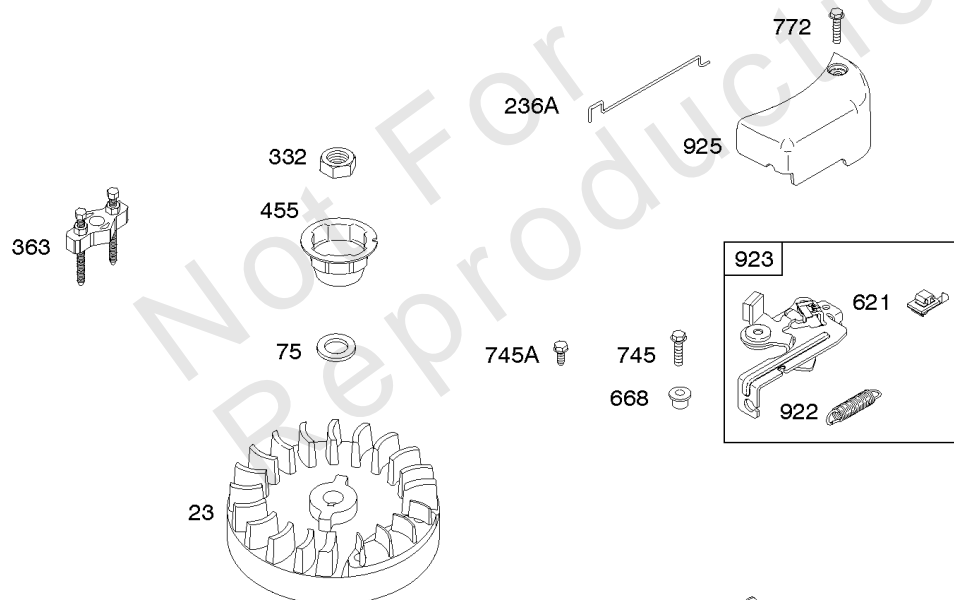
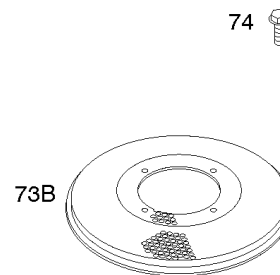
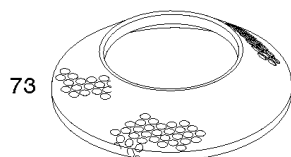
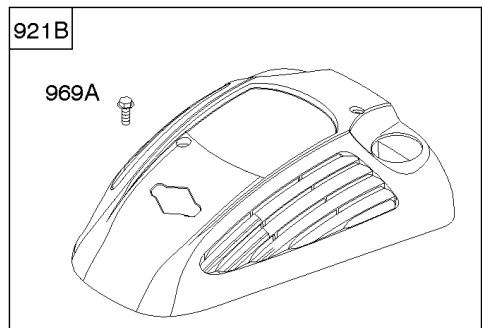
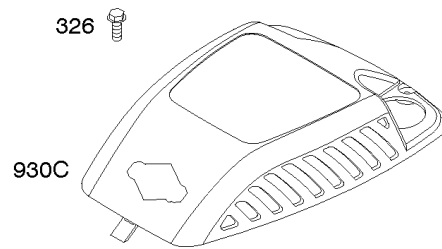
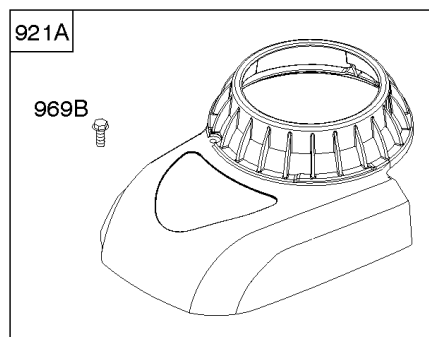
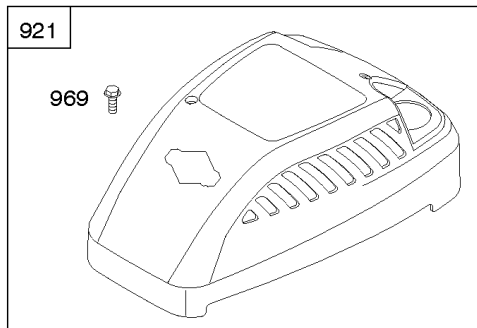
1036 EMISSIONS LABEL



## Blower Housing/Shrouds, Brake, Flywheel

REF NO	PART NO	QTY	DESCRIPTION
23	795549		Flywheel
37	690482		Guard-Flywheel -(Carburetor Side)
37A	691209		Guard-Flywheel -(Muffler Side)
73	699850		Screen-Rotating -Used After Code Date 97052500
73B	691725		Screen-Rotating -Used Before Code Date 97052600
74	690345		Screw -(Rotating Screen)
75	691736		Washer -(Flywheel)
78	692198		Screw -(Flywheel Guard)
304	691484		Housing-Blower -(Compliance Engines) -Used Before Code Date 99010400
304	692536		Housing-Blower -(Non Compliance Engines) -Used Before Code Date 99010400
304A	694236		Housing-Blower -(Compliance Engines) -Used After Code Date 99010300
304A	694051		Housing-Blower -(Non Compliance Engines) -Used After Code Date 99010300
305	692198		Screw -(Blower Housing)
326	694046		Screw -(Rewind Guard) (2 1/4" Long) -Used After Code Date 99010300
326	691141		Screw -(Rewind Guard) (1/2" Long) -Used Before Code Date 99010400
332	690662		Nut -(Flywheel)
363	19069		Puller-Flywheel
455	691236		Cup-Flywheel
621	692310		Switch-Stop
668	692889		Spacer
729	690586		Clip-Wire
745	691146		Screw -(Brake) (7/8" Long)
745A	690859		Screw -(Brake) (1/2" Long)
772	691111		Screw -(Linkage Cover) (1 1/8" Long)
772	691183		SCREW -(Linkage Cover) (3/4" Long)
772A	690345		Screw -(Linkage Cover) (1/2" Long)
815	690324		Screw -(Band Brake Pivot)
921	694044		Cover-Blower Housing
922	692135		Spring-Brake -Used After Code Date 97071300
922A	691809		Spring-Brake -Used Before Code Date 97071400
923	691487		Brake -Used After Code Date 97071300

1036 EMISSIONS LABEL





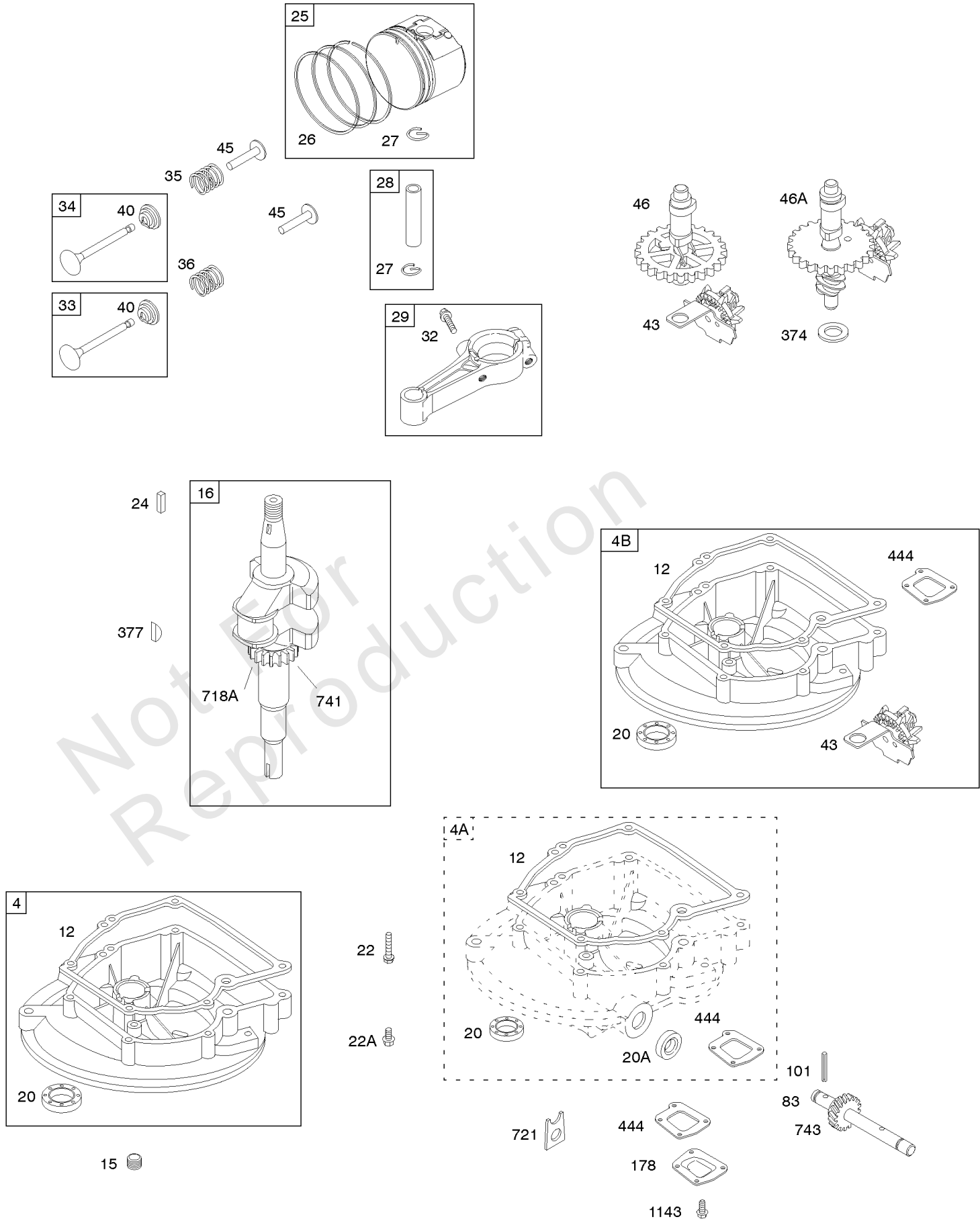
## ***Blower Housing/Shrouds, Brake, Flywheel***

REF NO	PART NO	QTY	DESCRIPTION
923A	394867		Brake -Used Before Code Date 97071400
930C	691932		Guard-Rewind
933	690428		Pivot-Band Brake
969	692198		Screw -(Blower Housing Cover) (1/2" Long)
969A	694046		Screw -(Blower Housing Cover) (2 1/4" Long)
1036	-----		Label-Emissions -(Available From A Briggs & Stratton Authorized Dealer)
1208	690859		Screw -(Brake Bracket)

Not For  
Reproduction

# Camshaft, Crankcase Cover/Sump, Crankshaft, Piston/Rings/Connecting Rod

Mfg. No: 10A902-2272-E1

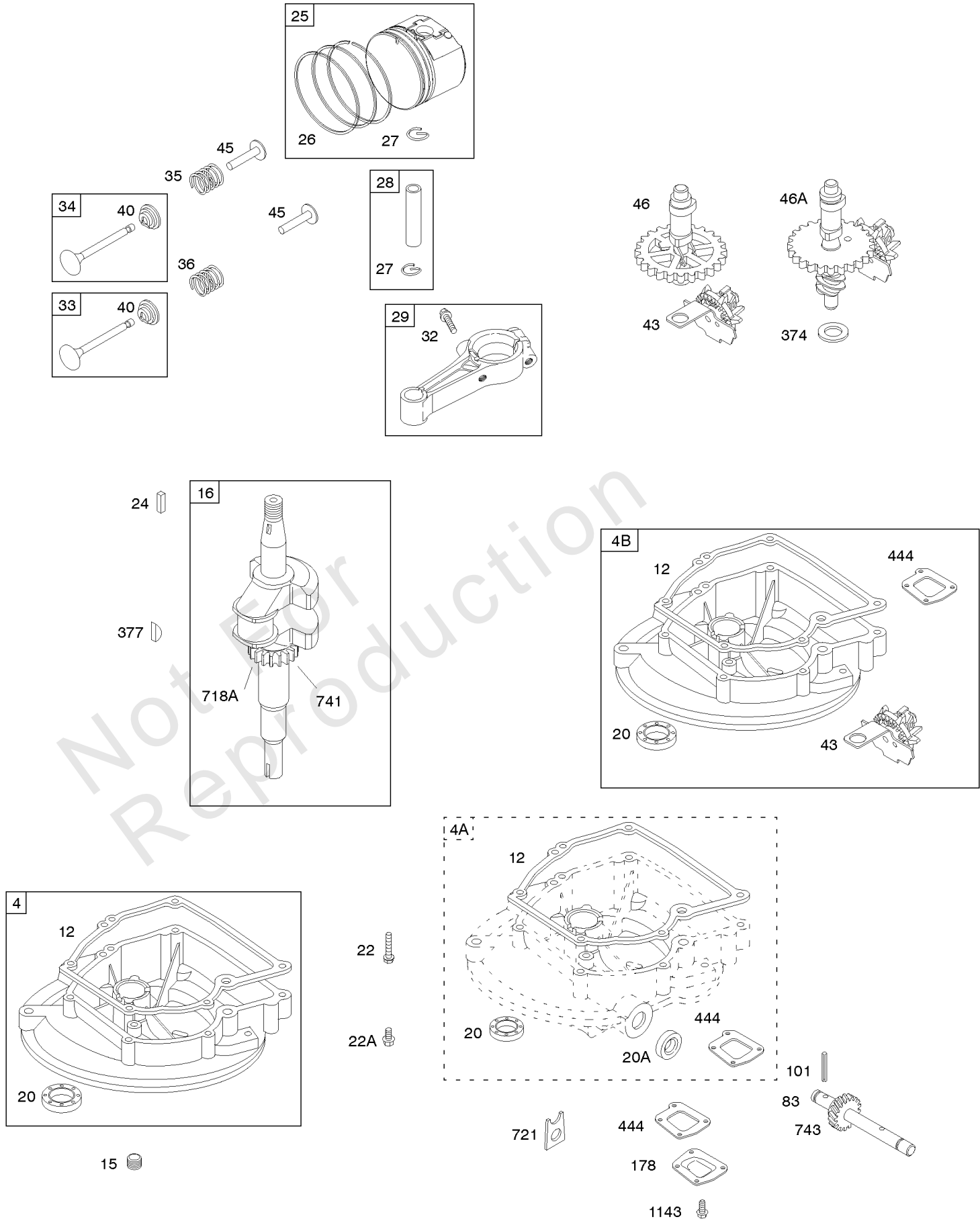


## Camshaft, Crankcase Cover/Sump, Crankshaft, Piston/Rings/Connecting Rod

REF NO	PART NO	QTY	DESCRIPTION
4	395384		Sump-Engine -Used Before Code Date 02111300
4	698691		Sump-Engine -Used After Code Date 02111200
12	270895		Gasket-Crankcase -(.005" Thick)
12	270896		Gasket-Crankcase -(.009" Thick)
12	692218		Gasket-Crankcase -(.015" Thick)(Standard)
15	691680		PLUG, Oil Drain
16	691471		Crankshaft
20	391483S		Seal-Oil -(PTO Side)
20A	691952		Seal-Oil -(PTO Side) (Auxiliary PTO)
22	692551		Screw -(Crankcase Cover/Sump) (1 1/4" Long)
22A	691108		SCREW -(Crankcase Cover/Sump) (3/4" Long)
24	222698S		KEY, Flywheel
25	792532		Piston Assembly -(.020 Oversize) -Used After Code Date 96020500
25	298906		Piston Assembly -(.020 Oversize) -Used Before Code Date 96020600
25	298907		Piston Assembly -(.030" Oversize) -Used Before Code Date 96020600
25	699657		Piston Assembly -(Standard) -Used Before Code Date 04111500
25	790908		Piston Assembly -(Standard) -Used After Code Date 04111400
26	795134		Ring Set -(.020 Oversize) -Used After Code Date 04111400
26	298982		Ring Set -(Standard) -Used Before Code Date 96020600
26	298984		Ring Set -(.020 Oversize) -Used Before Code Date 96020600
26	498680		Ring Set -(Standard) -Used After Code Date 96020500 -Used Before Code Date 03080400
26	498682		Ring Set -(.020 Oversize) -Used After Code Date 96020500 -Used Before Code Date 04111500
26	498683		Ring Set -(.030" Oversize) -Used After Code Date 96020500 -Used Before Code Date 04111500
26	699658		Ring Set -(Standard) -Used After Code Date 03080300 -Used Before Code Date 04111500
26	790909		Ring Set -(Standard) -Used After Code Date 04111400

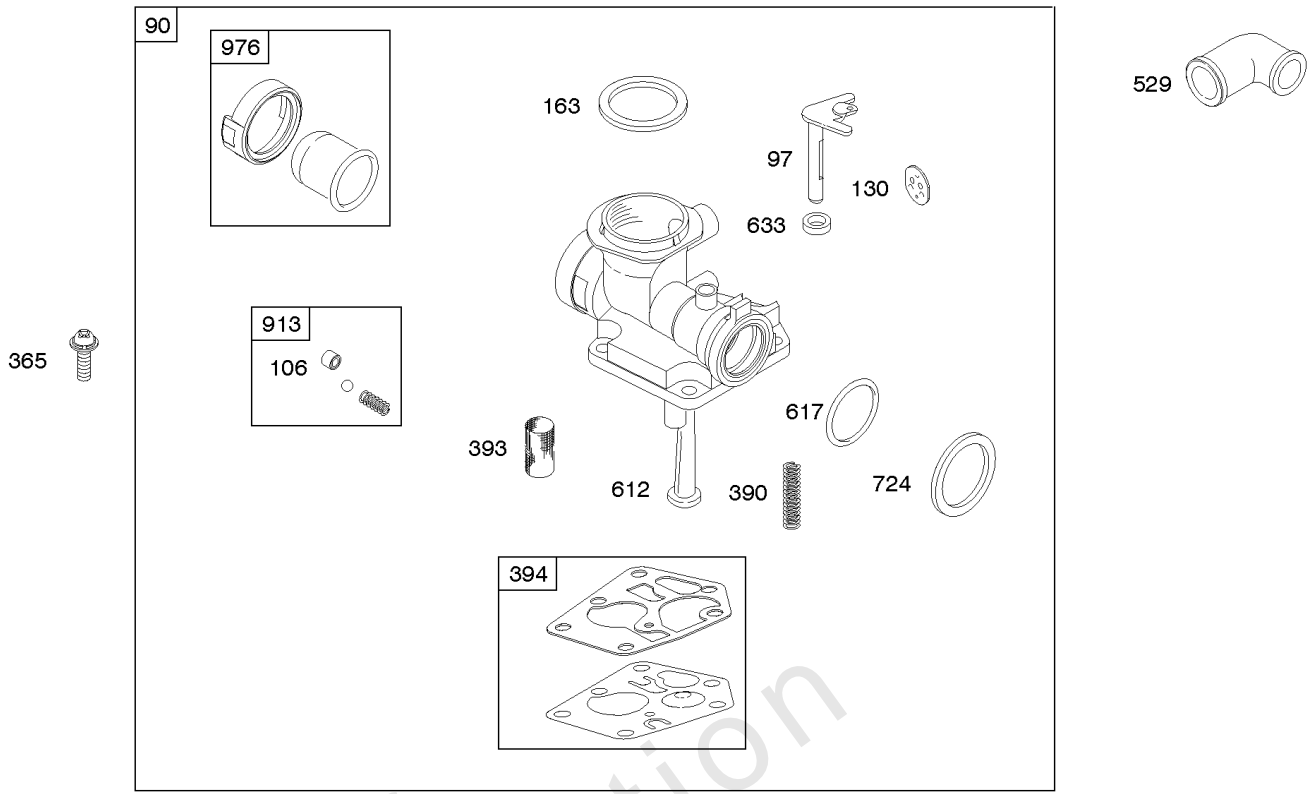
# Camshaft, Crankcase Cover/Sump, Crankshaft, Piston/Rings/Connecting Rod

Mfg. No: 10A902-2272-E1

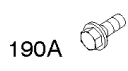
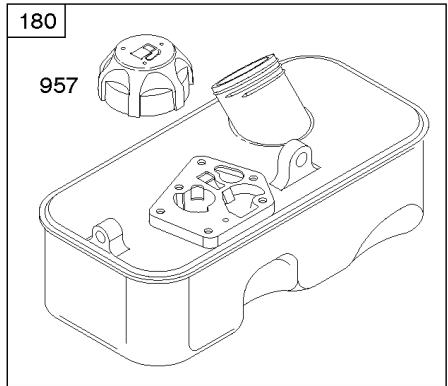
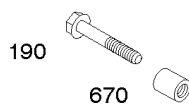
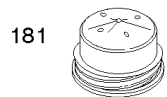


## Camshaft, Crankcase Cover/Sump, Crankshaft, Piston/Rings/Connecting Rod

REF NO	PART NO	QTY	DESCRIPTION
27	691588		Lock-Piston Pin
28	298908		Pin-Piston -(.005" Oversize) -Used Before Code Date 03100100
28	298909		Pin-Piston -(Standard) -Used Before Code Date 03100100
28	699659		Pin-Piston -(Standard) -Used After Code Date 03093000
29	699654		Rod-Connecting
32	691664		Screw -(Connecting Rod)
33	296676		Valve-Exhaust
34	296677		Valve-Intake
35	690520		Spring-Valve -(Intake)
36	690520		Spring-Valve -(Exhaust)
40	692194		Retainer-Valve
43	691983		Slinger-Governor/Oil -Used Before Code Date 02110500
43	698690		Slinger-Governor/Oil -Used After Code Date 02110400
45	691762		Tappet-Valve
46	691998		Camshaft
46A	690644		Camshaft -(Counterclockwise)
101	691623		Pin-Shaft
178	690398		Cover-Drive Gear
374	691074		Washer -(Camshaft)
444	691868		Gasket-Drive Gear Cover
718A	499047		Pin-Locating -(Crankshaft)
721	690397		Stop-Shaft
741	691805		Gear-Timing
743	691772		Gear-Drive
1143	691141		Screw -(Drive Gear Cover)

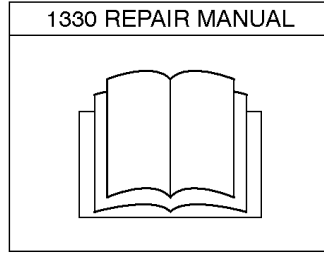
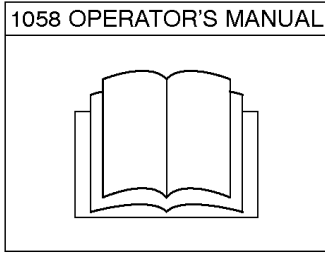


Not For  
Reproduction



## Carburetor, Fuel Supply

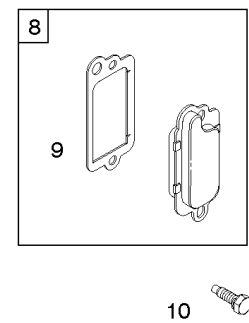
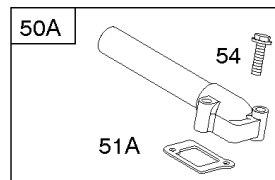
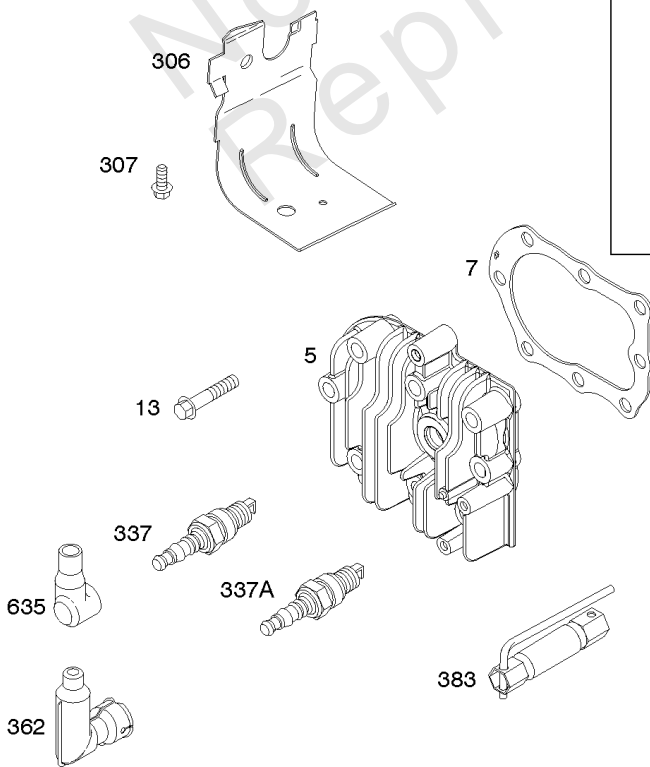
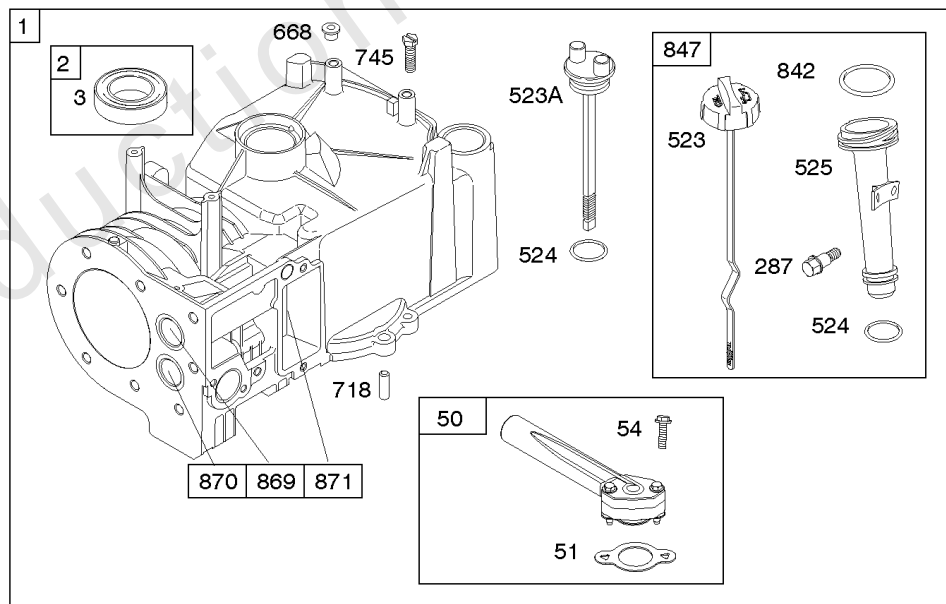
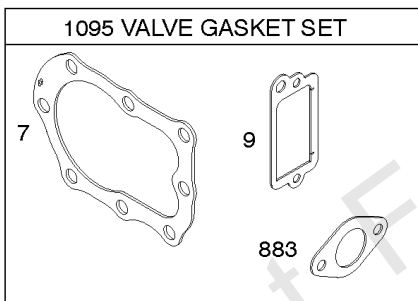
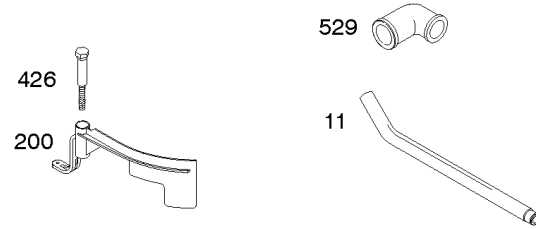
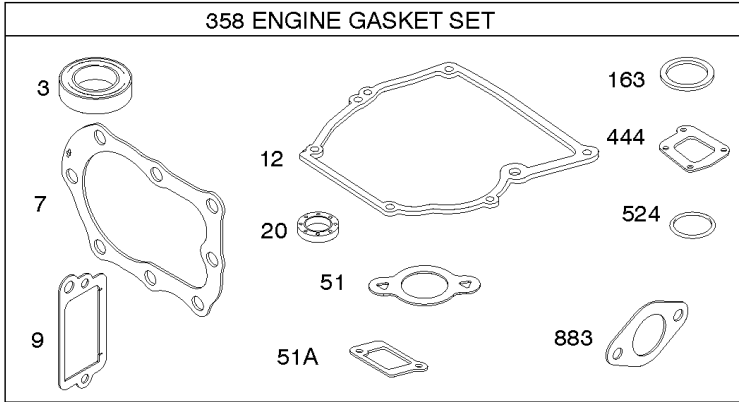
REF NO	PART NO	QTY	DESCRIPTION
90	497619		Carburetor -Used Before Code Date 96052000
90	794161		Carburetor -Used After Code Date 96051900
97	691931		Shaft-Throttle
106	691901		Seat-Inlet
130	691190		Valve-Throttle
163	271139S		Gasket-Air Cleaner
180	494406		Tank-Fuel -(Metal)
181	493982S		Cap-Fuel Tank -(Metal)
190	691640		Screw -(Fuel Tank) (1 3/4" Long)
190A	691108		SCREW -(Fuel Tank) (9/16" Long)
365	790029		Screw -(Carburetor)
390	691839		Spring-Choke Diaphragm
393	691837		Screen-Carburetor
394	795083		Diaphragm-Carburetor -Used After Code Date 07080800
394	495770		Diaphragm-Carburetor -Used Before Code Date 07080900
529	692189		Grommet
612	496046S		Tube-Pick Up
617	270344S		Seal-O Ring -(Intake Manifold)
633	691321		Seal-Choke/Thr Shaft -(Throttle)
670	691631		Spacer-Fuel Tank -Used Before Code Date 97071400
670	691633		Spacer-Fuel Tank -Used After Code Date 97071300
724	697478		Retainer-Seal
913	494409		Seat-Check Valve
957	497929S		Cap-Fuel Tank -(Plastic)
976	694394		Primer-Carburetor



1319 WARNING LABEL

	<b>WARNING</b>
	Read and follow Operating Instructions before running engine.
	Gasoline is flammable. Allow engine to cool at least 2 minutes before refueling.
	Engines emit carbon monoxide, DO NOT run in enclosed area.
	Muffler area temperature may exceed 150°F. Do not touch hot parts.

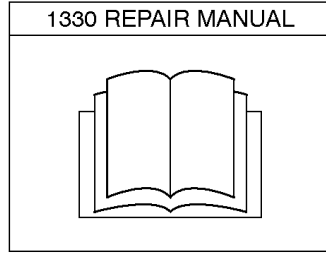
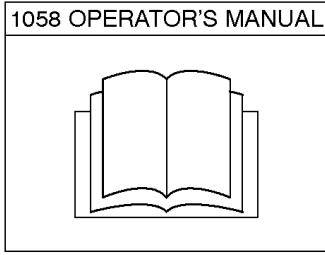
**REQUIRED** when replacing parts with warning labels affixed.





## Cylinder, Cylinder Head, Gasket Set - Engine, Gasket Set - Valve, Lubrication, Operator's

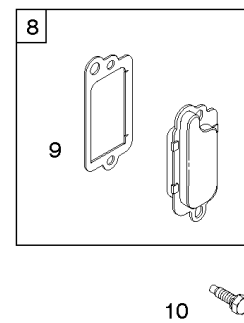
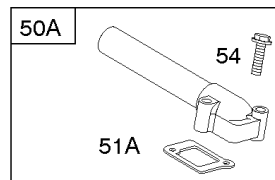
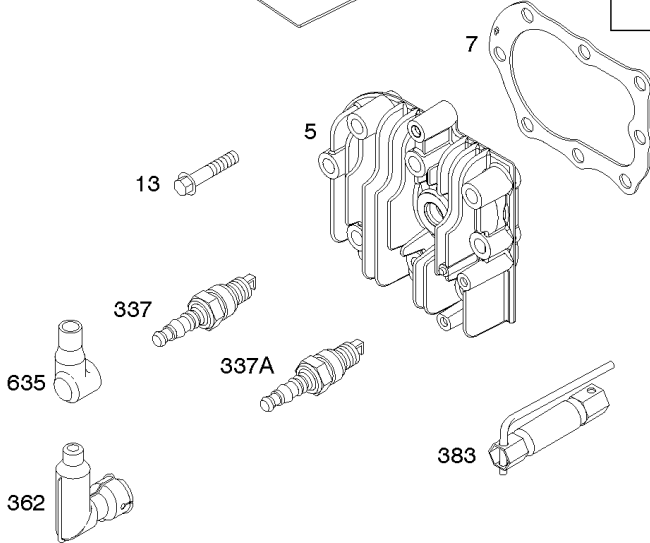
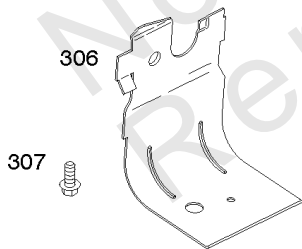
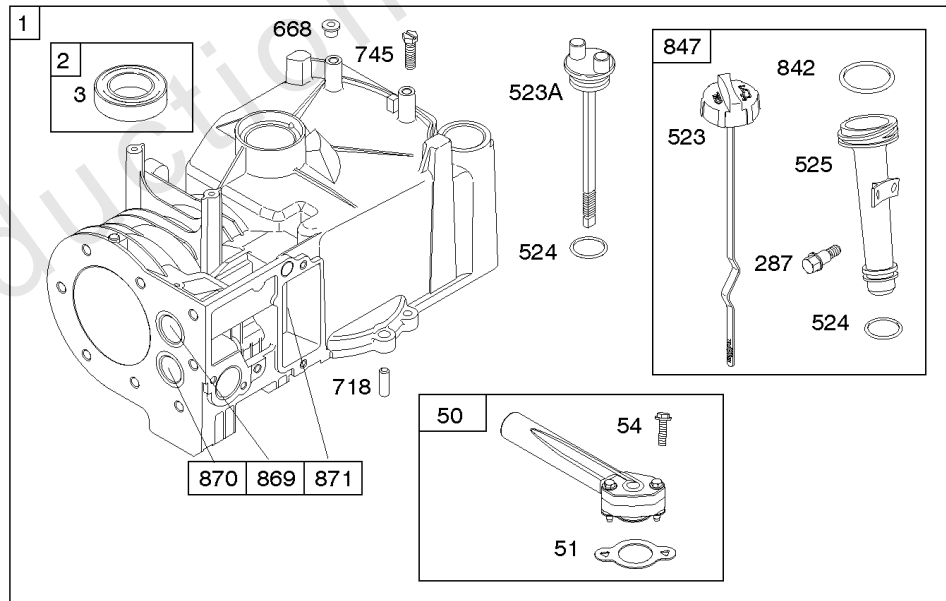
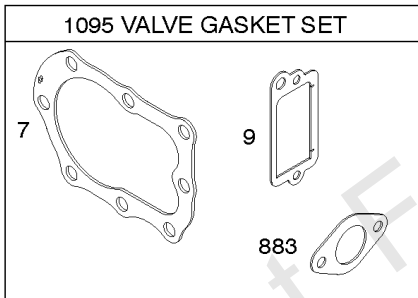
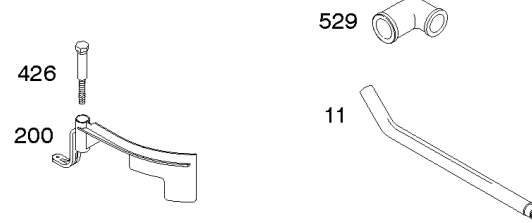
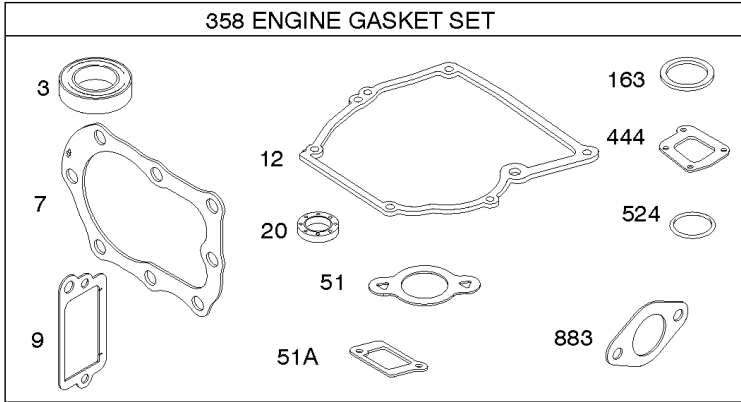
REF NO	PART NO	QTY	DESCRIPTION
1	699653		Cylinder Assembly
2	399269		Kit-Bushing/Seal -(Magneto Side)
3	299819S		SEAL, Oil -(Magneto Side)
5	790169		Head-Cylinder
7	698717		Gasket-Cylinder Head
8	791781		Breather Assembly
9	695890		Gasket-Breather
10	691666		Screw -(Breather Assembly)
11	691245		Tube-Breather
12	270896		Gasket-Crankcase -(.009" Thick)
12	692218		Gasket-Crankcase -(.015" Thick)(Standard)
12	270895		Gasket-Crankcase -(.005" Thick)
13	691640		Screw -(Cylinder Head)
20	391483S		Seal-Oil -(PTO Side)
50	699644		Manifold-Intake -Used After Code Date 03080300
50A	693446		Manifold-Intake -Used Before Code Date 03080400
51	699649		Gasket-Intake -Used After Code Date 03080300
51A	270345S		Gasket-Intake -Used Before Code Date 03080400
54	691111		Screw -(Intake Manifold)
163	271139S		Gasket-Air Cleaner
200	691912		Blade-Governor
287	691002		Screw -(Dipstick Tube)
306	690400		Shield-Cylinder -Used Before Code Date 04071400
307	690345		Screw -(Cylinder Shield) -Used Before Code Date 04071400
337	802592S		Plug-Spark
358	794209		Gasket Set-Engine
383	89838S		Wrench-Spark Plug
426	691107		Screw -(Governor Blade)
444	691868		Gasket-Drive Gear Cover
523	692040		Dipstick
524	691876		Seal-O Ring
525	691320		Tube-Dipstick
529	692189		Grommet
635	66538S		BOOT, Spark Plug
668	692889		Spacer
718	690959		PIN, Locating -(Cylinder)
745	691146		Screw -(Brake) (7/8" Long)



1319 WARNING LABEL

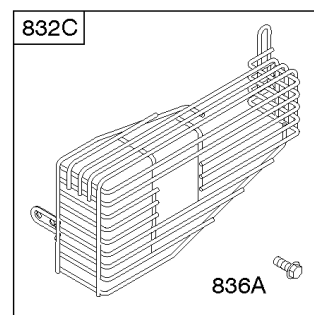
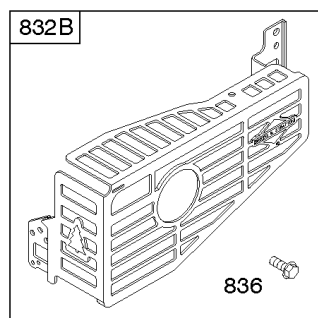
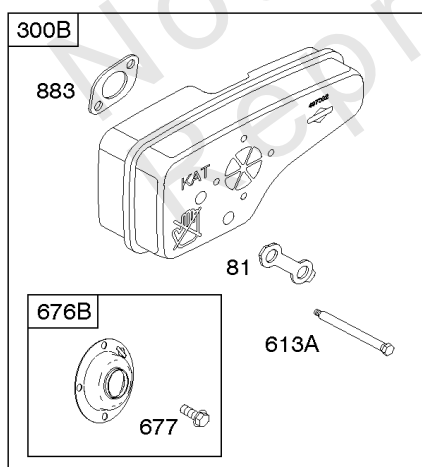
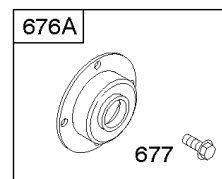
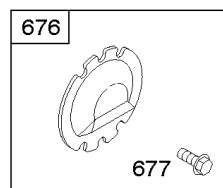
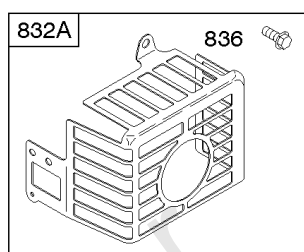
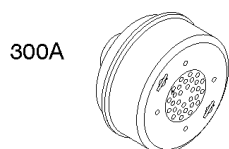
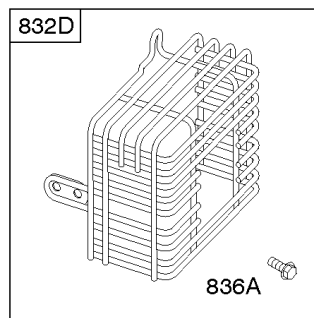
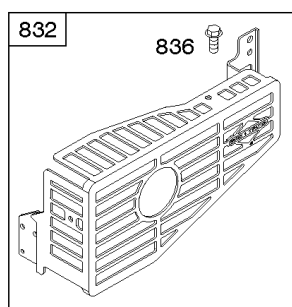
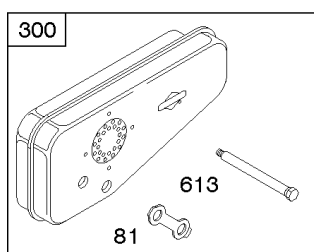
	<b>WARNING</b>
	Read and follow Operating Instructions before running engine.
	Gasoline is flammable. Allow engine to cool at least 2 minutes before refueling.
	Engines emit carbon monoxide, DO NOT run in enclosed area.
	Muffler area temperature may exceed 150°F. Do not touch hot parts.

**REQUIRED** when replacing parts with warning labels affixed.



## ***Cylinder, Cylinder Head, Gasket Set - Engine, Gasket Set - Valve, Lubrication, Operator's***

<b>REF NO</b>	<b>PART NO</b>	<b>QTY</b>	<b>DESCRIPTION</b>
842	691870		Seal-O Ring -(Dipstick Tube)
847	691440		Dipstick/Tube Assembly
869	699641		Seat-Valve -(Intake) -Used After Code Date 03080300
869	691701		Seat-Valve -(Intake) -Used Before Code Date 03080400
870	699642		Seat-Valve -(Exhaust) -Used After Code Date 03080300
870	691702		Seat-Valve -(Exhaust) -Used Before Code Date 03080400
871	231348		Bushing-Valve Guide -(Exhaust Valve) -Used Before Code Date 03080400
871	699643		Bushing-Valve Guide -(Exhaust Valve) -Used After Code Date 03080300
871	63709		Bushing-Valve Guide -(Intake Valve)
883	691880		Gasket-Exhaust
1058	277038		Operator's Manual
1095	498526		Gasket Set-Valve
1319	794467		LABEL, Warning
1330	270962		Repair Manual



## Exhaust System

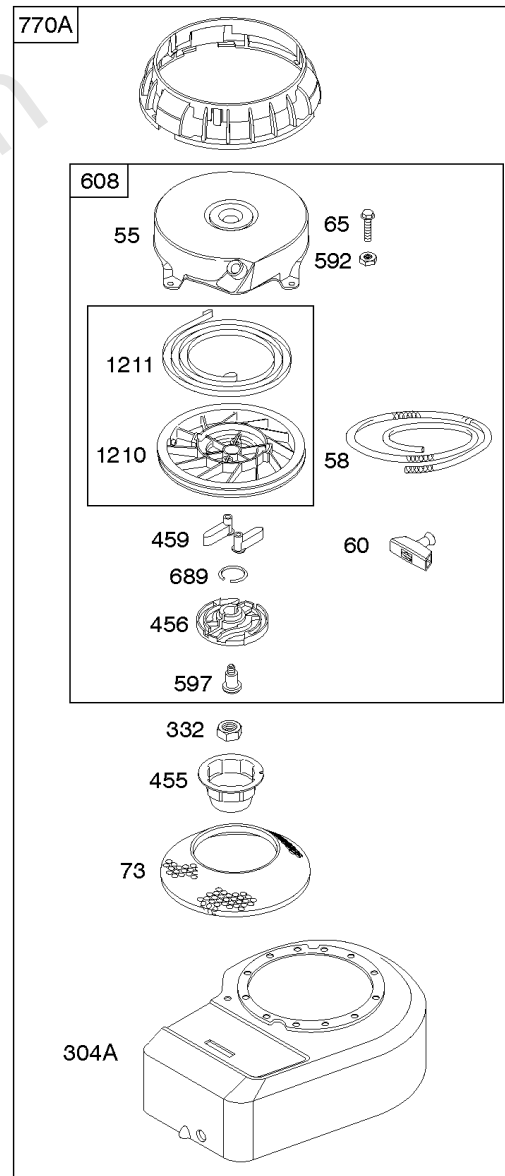
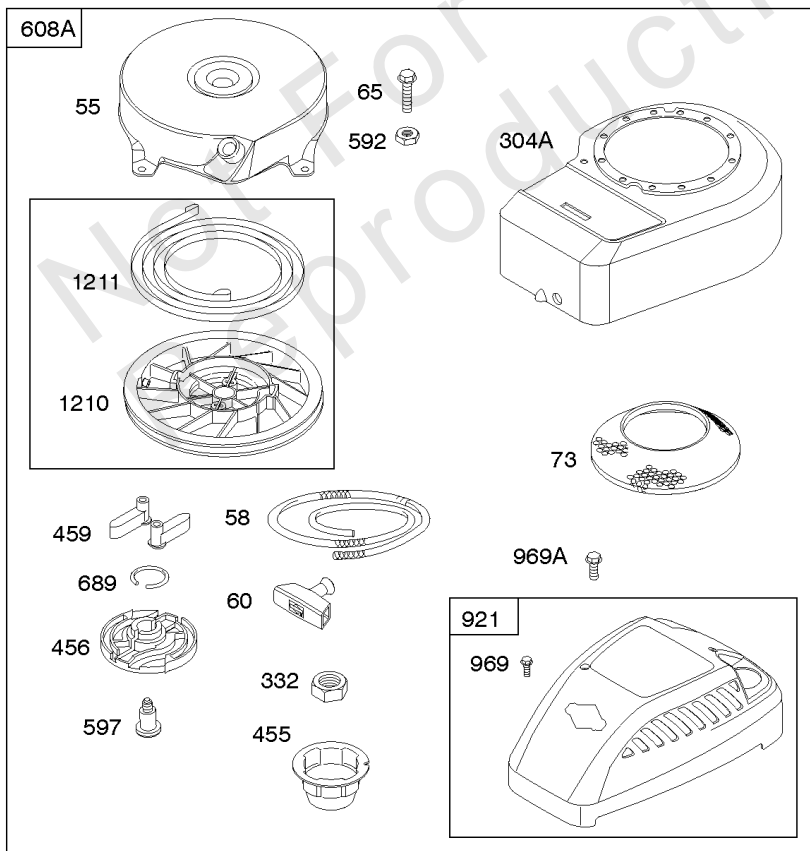
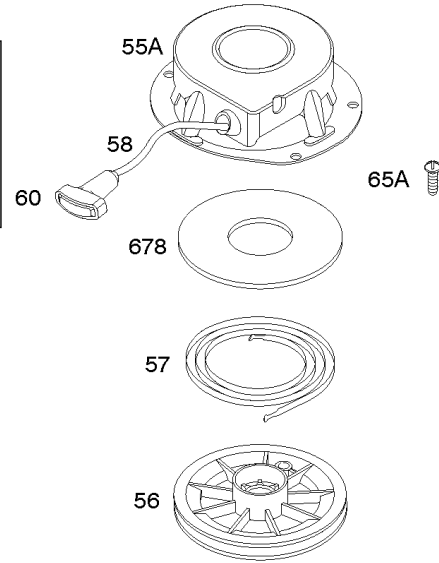
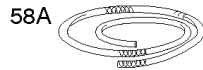
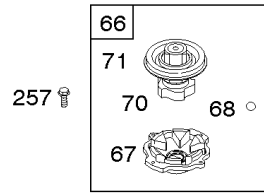
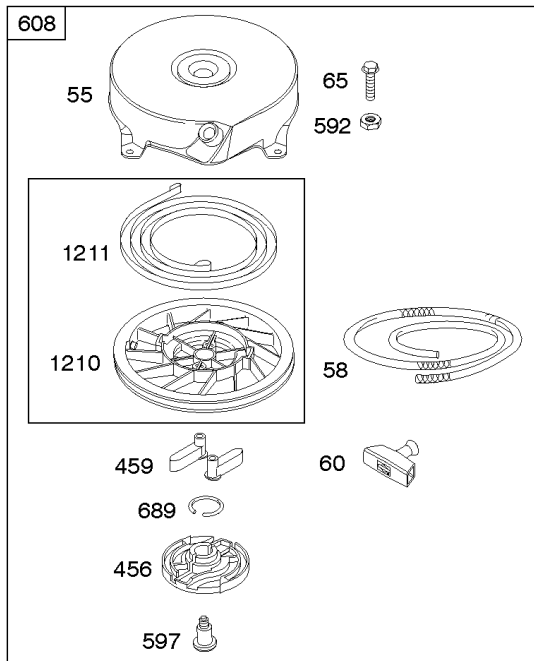
REF NO	PART NO	QTY	DESCRIPTION
81	691179		Lock-Muffler Screw
300	692307		Muffler -(Super Lo Tone)
300A	394569S		Muffler -(Round Lo Tone)
613	691413		Screw -(Muffler) (Super Lo Tone)
676	393756		Deflector-Muffler -(Side Out)
677	690661		SCREW -(Muffler Deflector)
832	699299		Guard-Muffler -(Super Lo Tone)
832A	699670		Guard-Muffler -(Round Lo Tone)
836	690664		Screw -(Muffler Guard) (13/32" Long)
836A	790745		Screw -(Muffler Guard) (1/2" Long)
883	691880		Gasket-Exhaust

Not For  
Reproduction

## Replacement Engine

REF NO	PART NO	QTY	DESCRIPTION
	10T8020016	1	Replacement Engine
	398211	1	Replacement Short Block
	-----		Top No-Load Speed: 3000 -Trim: ALL
	-----		Service Note: Replacement engine listed is not available in the State of California. Repair with Short Block and individual parts.

Not For  
Reproduction



## Rewind Starter

REF NO	PART NO	QTY	DESCRIPTION
55	692144		Housing-Rewind Starter
55A	393576		Housing-Rewind Starter
56	280439S		Pulley-Starter
57	490179		Spring-Rewind Starter
58	691921		Rope-Starter -(70" Long)
58A	697316		Rope-Starter -(88 5/8" Long)
60	691915		GRIP, Starter Rope
65	690837		Screw -(Rewind Starter)
65A	690338		Screw -(Rewind Starter) (3/8" Long)
66	399671		Clutch-Starter
67	394897		Housing-Clutch
68	691604		Ball-Clutch
70	691945		Ratchet-Clutch
71	691359		Cover-Ratchet
73	699850		Screen-Rotating -Used After Code Date 97052500
257	691660		Screw -(Starter Clutch)
304A	694236		Housing-Blower -(Compliance Engines) -Used After Code Date 99010300
304A	694051		Housing-Blower -(Non Compliance Engines) -Used After Code Date 99010300
305	692198		Screw -(Blower Housing)
332	690662		Nut -(Flywheel)
455	691236		Cup-Flywheel
456	692299		Plate-Pawl Friction
459	281505S		PAWL, Ratchet
592	690800		Nut -(Rewind Starter)
597	691696		Screw -(Pawl Friction Plate)
608	499706		Starter-Rewind -(88 5/8" Rope) -Used After Code Date 97071300
608A	499926		Starter-Rewind -(Non Compliance Engines) (70" Rope)
678	490817		Spacer-Rewind
689	691855		SPRING, Friction
770A	499915		Kit-Rewind/Blower Housing -(Compliance Engines) -Used Before Code Date 97100600
921	694044		Cover-Blower Housing
969	692198		Screw -(Blower Housing Cover) (1/2" Long)
969A	694046		Screw -(Blower Housing Cover) (2 1/4" Long)
1210	499901		Pulley/Spring Assembly -(Pulley)
1211	499901		Pulley/Spring Assembly -(Spring)



