

PNC-ML
967303701-00

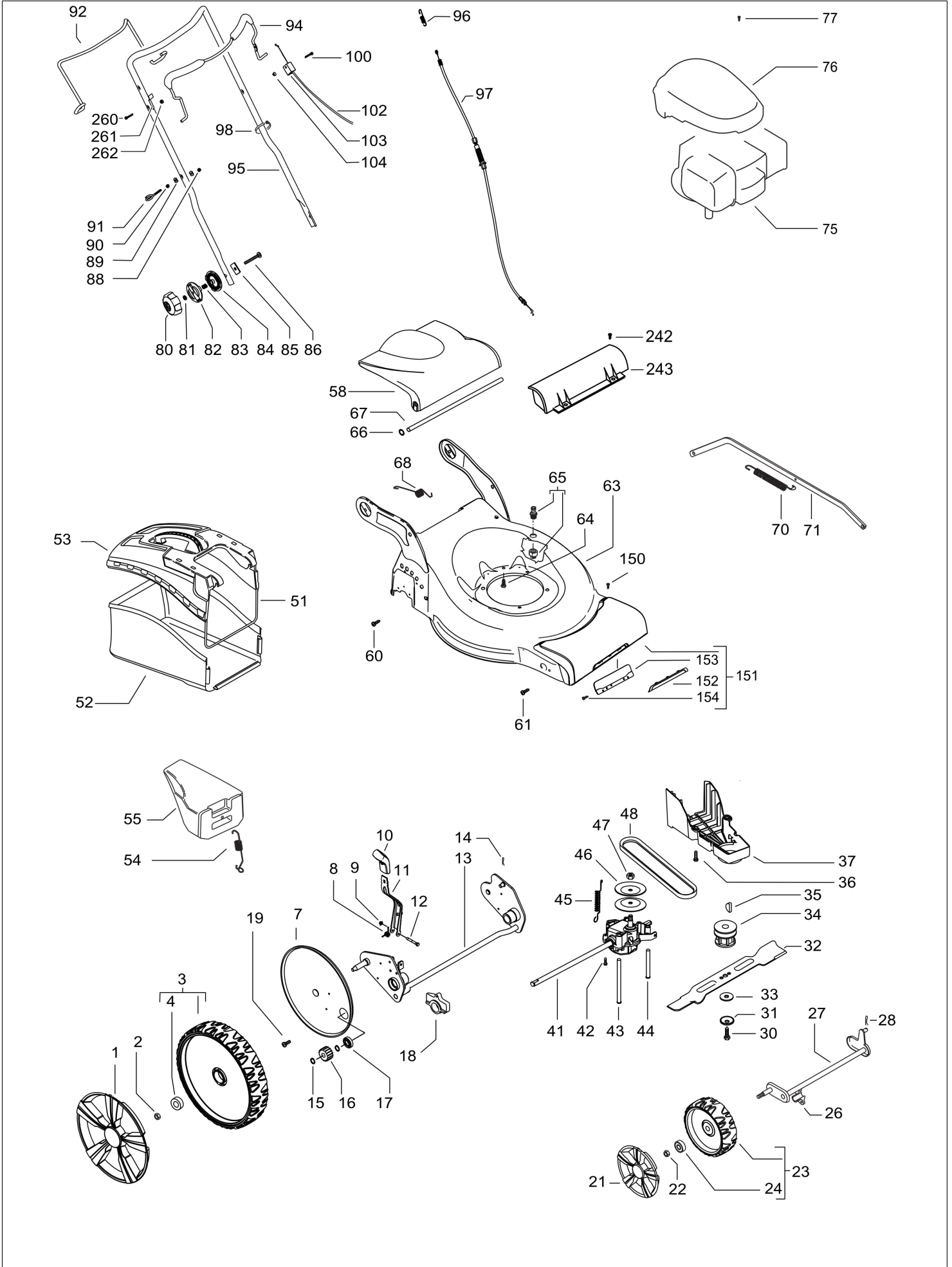
Model
M51-150WRPX

Brand
McCulloch

Number of Pages 1 of 3

Factory:	IIQ - Valmadrera	Product Group:	OP 93
Publication Number:	MIPL2015_V08000001	Petrol Portable	
Publication Date:	17/02/15	Sub Group	1071

HUSQVARNA ITALIA SPA



HUSQVARNA ITALIA SPA

Item	PN	Description	Qty	Item	PN	Description	Qty
1	574 39 66-01	wheel cover Ø280	2	60	531 20 66-77	screw 4.8x19, self threading	2
2	504 85 78-01	nut M8, self locking, flanged	2	61	525 43 31-01	screw 4x16, self threading	4
3	574 45 12-02	wheel assy Ø280	2	63	581 29 21-02	deck	1
4	531 20 87-78	ball bearing	4	64	531 21 28-51	screw 3/8" + split washer	3
7	504 53 99-01	dust shield Ø280	2	65	531 20 58-48	snap on connector 1/2"	1
8	583 95 13-02	spring, wheel regulator lever	1	66	584 81 69-03	starlock	2
9	531 20 84-92	nut M5, self locking	1	67	531 21 14-41	safety flap bar	1
10	580 46 24-01	handle, wheel regulator	1	68	531 21 18-40	spring	1
11	581 17 86-01	wheel regulator lever	1	70	579 24 53-02	wheel regulation spring	1
12	538 23 58-07	screw M5x45	1	71	580 96 32-01	wheel regulation bar	1
13	510 09 28-01	rear axle	1	75	————	engine, Briggs & Stratton, model number 093J020026H1	1
14	531 20 66-53	cotter pin	1	76	580 44 56-01	engine shroud	1
15	531 20 87-72	seeger	4	77	581 79 50-01	engine shroud screw	2
16	544 34 23-01	gear	2	80	580 42 43-01	knob	2
17	531 20 87-78	ball bearing	2	81	531 20 49-22	washer	2
18	531 20 59-44	rear axle housing	2	82	531 21 14-74	locking disc, outer	2
19	531 20 78-56	screw M5x10	4	83	531 21 14-76	spring	2
21	574 39 64-01	wheel cover Ø190	2	84	531 21 14-73	locking disc, inner	2
22	504 85 78-01	nut M8, self locking, flanged	2	85	531 21 15-81	plate	2
23	574 45 09-02	wheel assy Ø190	2	86	581 25 95-01	screw M8x55	2
24	531 20 87-78	ball bearing	4	88	531 20 84-91	nut M6 self	1
26	577 38 42-01	front axle housing	2	89	531 20 49-61	washer	2
27	504 85 65-01	front axle	1	90	531 20 71-65	nut M6	1
28	531 20 66-53	cotter pin	1	91	531 20 51-69	starter cable guide	1
30	531 20 80-08	screw, 3/8"	1	92	580 65 43-01	clutch lever	1
31	531 20 72-37	spring washer	1	94	580 84 91-04	brake lever	1
32	580 25 85-02	blade	1	95	580 41 23-02	handle	1
33	531 20 72-43	washer	1	96	580 76 19-01	spring, clutch	1
34	581 84 30-01	blade support	1	97	544 90 80-05	clutch cable	1
35	505 29 09-01	key	1	98	531 20 55-81	zip tie	2
36	531 20 78-56	screw 5x10	3	100	580 83 36-01	screw	1
37	544 46 23-02	belt cover	1	102	580 85 34-01	brake cable	1
41	504 54 14-03	gear box	1	103	531 20 80-43	cable support	1
42	510 03 75-01	screw 4x16, self threading	2	104	581 55 12-01	nut	1
43	504 10 31-01	belt guide	1	150	576 04 74-01	screw M5x16	2
44	544 93 43-01	belt guide	1	151	575 56 22-04	front cover	1
45	544 93 47-01	gear box spring	1	152	574 37 52-01	front cover plate	1
46	504 54 79-01	pulley plate	2	153	574 72 17-01	back plate	1
47	504 54 80-01	nut	1	154	575 95 57-01	screw	2
48	504 10 33-01	belt Z30 10X765	1	242	576 13 60-06	screw M5x8	2
51	531 21 35-88	sack frame	1	243	579 30 09-01	grass seal	1
52	577 58 66-05	sack	1	260	580 83 36-02	screw	1
53	577 87 67-01	hard top	1	261	532 43 00-34	brake lever support	1
54	531 21 11-91	spring, mulching plug	1	262	581 55 12-01	nut	1
55	531 21 33-93	mulching plug	1				
58	544 25 55-01	safety flap	1				