



# Parts Manual

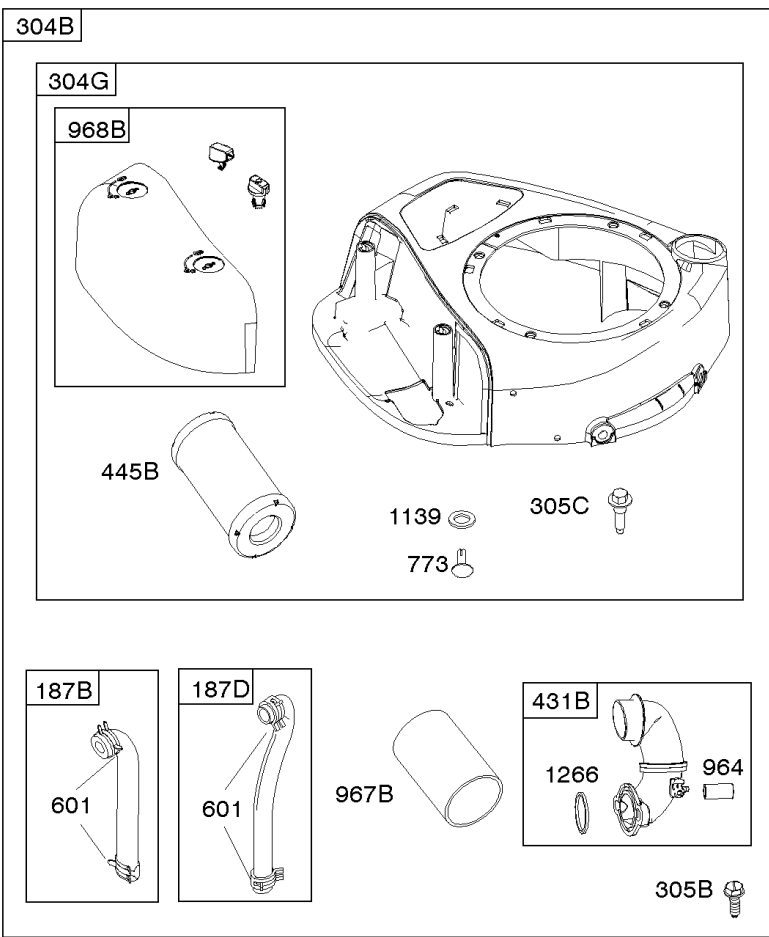
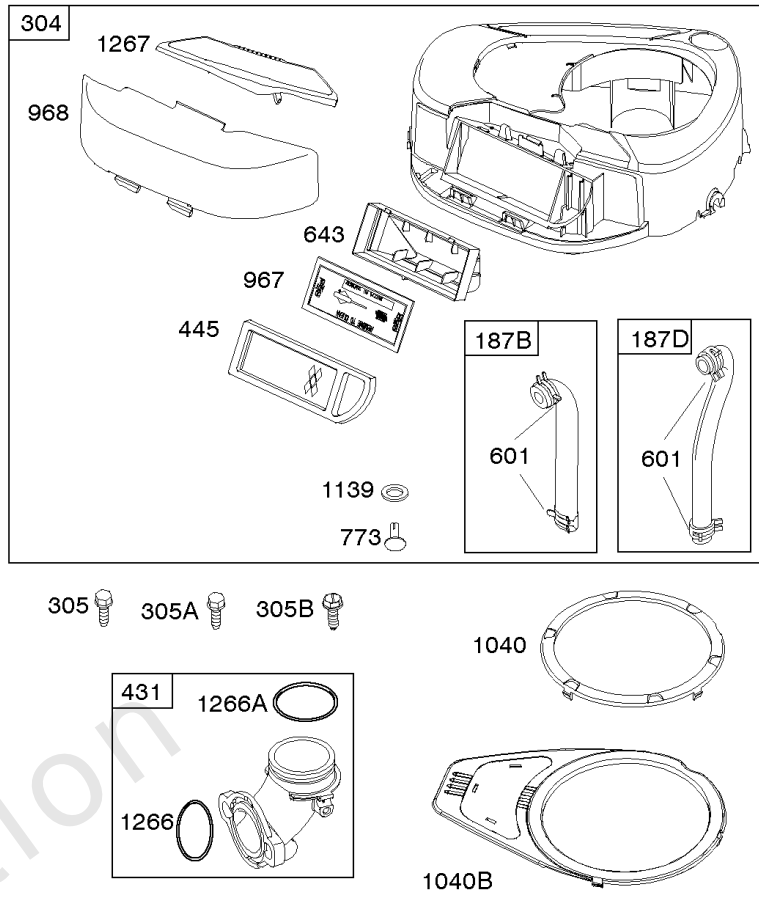
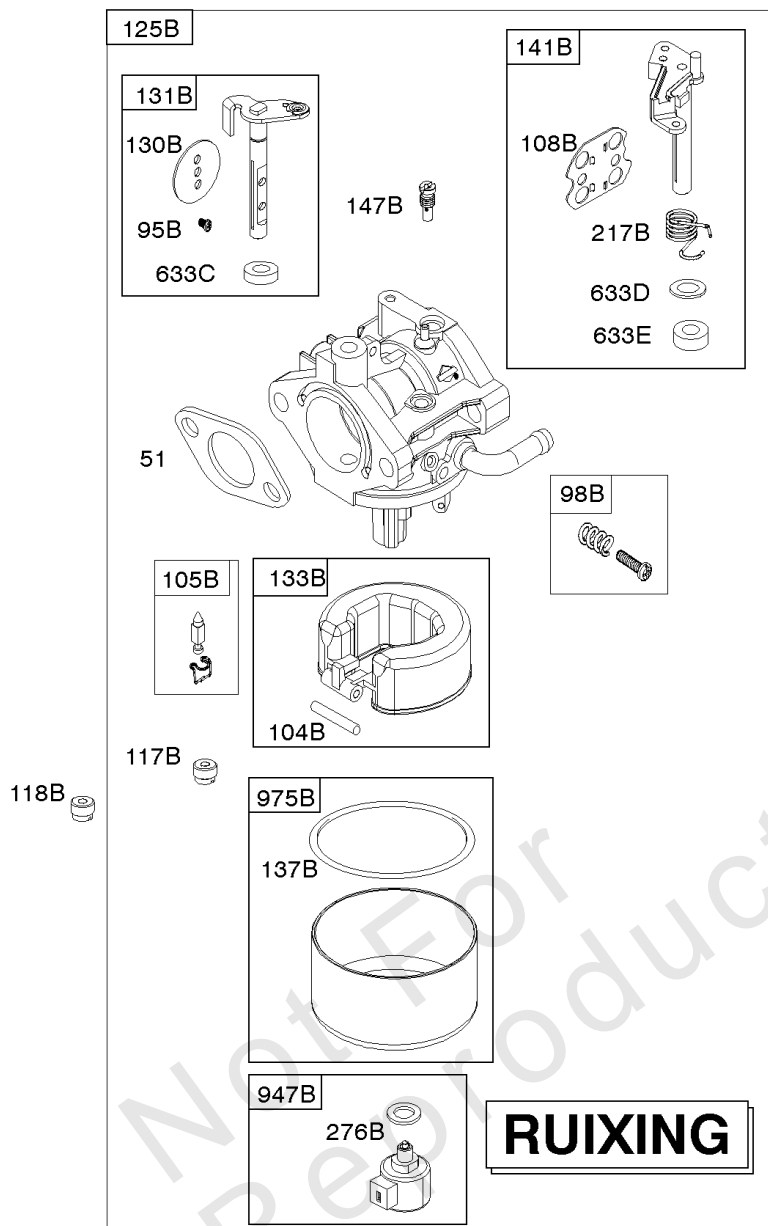
Mfg. No: 31P707-0140-B1



---

<b>Model Components</b>	<b>Page</b>
Air Cleaner, Blower Housing, Exhaust System, Fuel Supply. ....	4
Alternator, Controls, Electric Starter, Governor Spring, Ignition. ....	8
Camshaft, Crankshaft, Counterweight, Cylinder, Engine Sump, Gasket Set - Engine, Operator's Manual, Piston, Carburetor, Kit - Carburetor Overhaul. ....	12
Carburetor, Kit - Carburetor Overhaul. ....	18
Cylinder Head, Gasket Set - Valve, Intake Manifold, Lubrication, Valves. ....	24
Flywheel. ....	28
Replacement Engine. ....	32

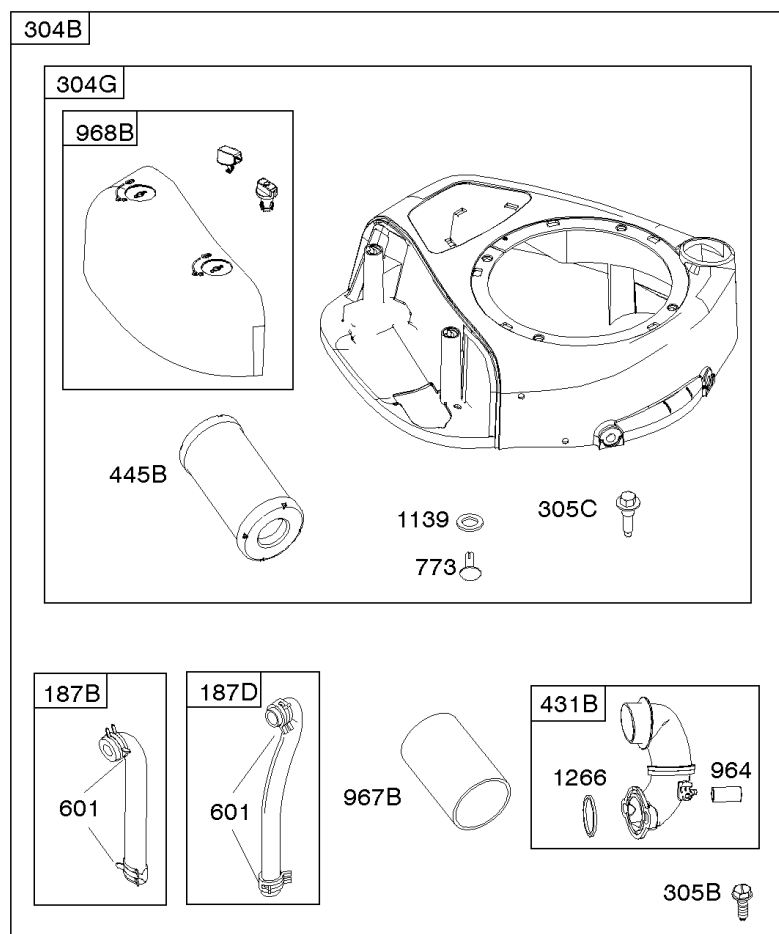
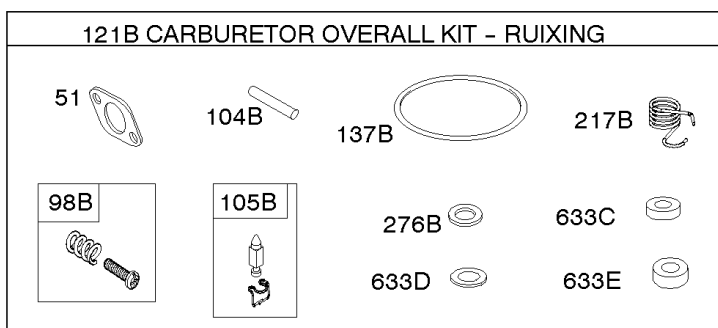
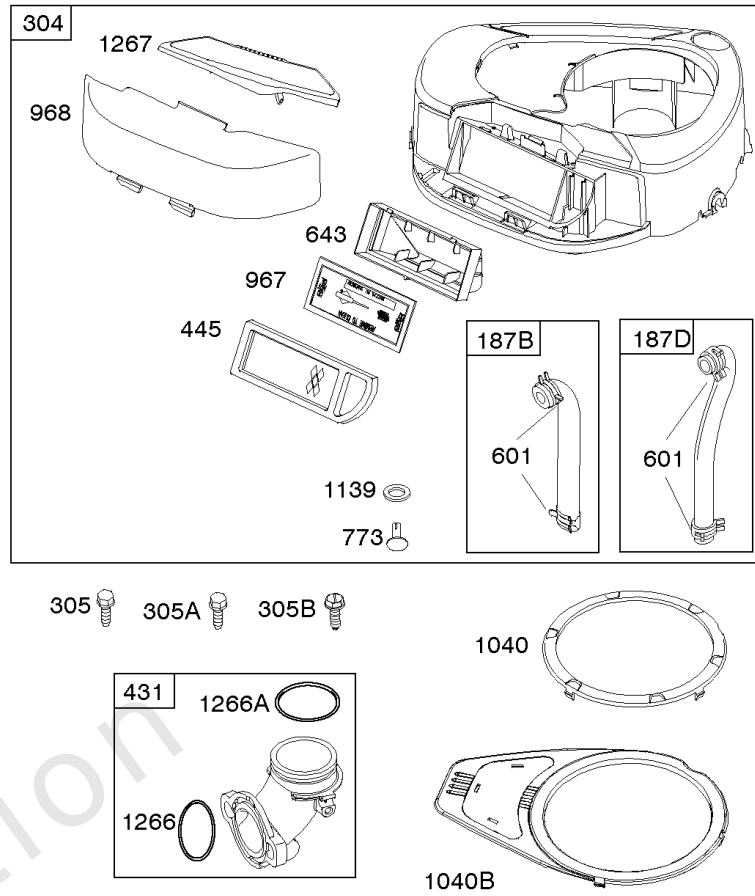
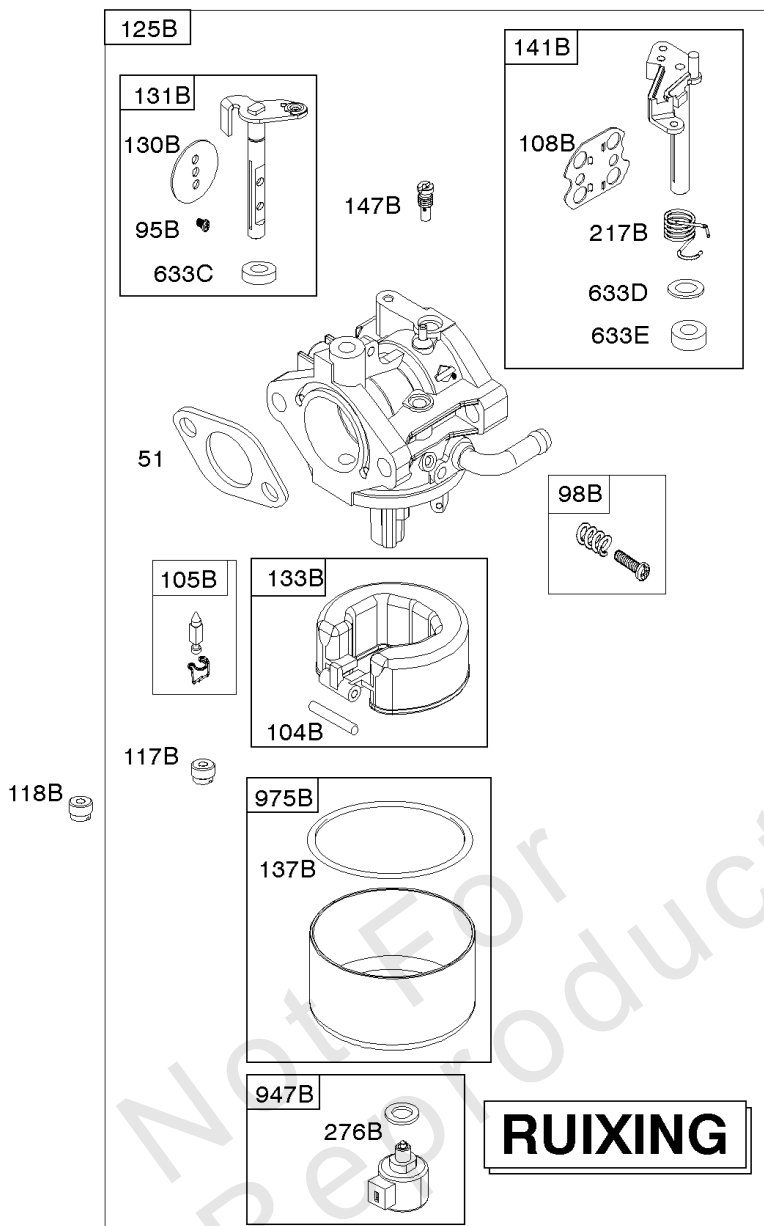
Not For  
Reproduction



121B CARBURETOR OVERALL KIT - RUIXING			
51	104B	137B	217B
98B	105B	276B	633C
		633D	633E

## Air Cleaner, Blower Housing, Exhaust System, Fuel Supply

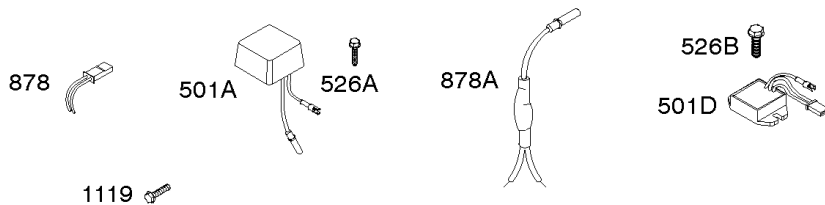
REF NO	PART NO	QTY	DESCRIPTION
51	692137		GASKET, Intake
95B	593897		SCREW -(Throttle Valve) (Ruixing) -Used After Code Date 15112900
98B	846817		Kit-Idle Speed -(Ruixing) -Used After Code Date 15112900
104B	594860		PIN, Float Hinge -(Ruixing) -Used After Code Date 15112900
105B	594868		VALVE, Float Needle -(Ruixing) -Used After Code Date 15112900
108B	594863		VALVE, Choke -(Ruixing) -Used After Code Date 15112900
117B	597458		Jet-Main -(Standard) (Ruixing) -Used After Code Date 15112900
118B	595070		Jet-Main -(High Altitude) (Ruixing) -Used After Code Date 15112900
121B	594886		KIT, Carburetor Overhaul -(Ruixing) -Used After Code Date 15112900
125B	594593		Carburetor -(Ruixing) -Used After Code Date 15112900
130B	594857		Valve-Throttle -(Ruixing) -Used After Code Date 15112900
131B	594855		KIT, Throttle Shaft -(Ruixing) -Used After Code Date 15112900
133B	594859		FLOAT, Carburetor -(Ruixing) -Used After Code Date 15112900
137B	594861		GASKET, Float Bowl -(Ruixing) -Used After Code Date 15112900
141B	594862		KIT, Choke Shaft -(Ruixing) -Used After Code Date 15112900
147B	594870		Jet-Pilot -(Ruixing) -Used After Code Date 15112900
187B	791805		LINE, Fuel -(Formed)(Cut To Required Length)
187D	791744		LINE, Fuel -(Formed)(14 Inches Long)(Cut To Required Length)
217B	594864		SPRING, Choke Return -(Ruixing) -Used After Code Date 15112900
276B	846640		WASHER, Sealing -(Ruixing) -Used After Code Date 15112900
304	796416		Housing-Blower -(No Longer Available) (See Reference 304B For Service)
304B	591907		Housing-Blower -(Black-Compatible With Canister Style Filter)
304G	591643		HOUSING, Blower -(Black w/threaded inserts-Compatible With Canister Style Filter)
304G	591642		HOUSING, Blower -(Black-Compatible With Canister Style Filter)



## Air Cleaner, Blower Housing, Exhaust System, Fuel Supply

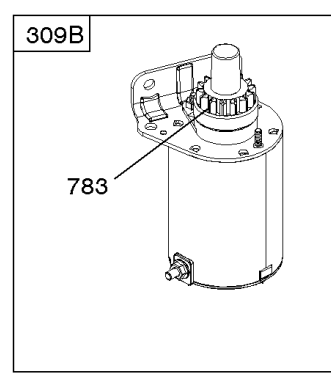
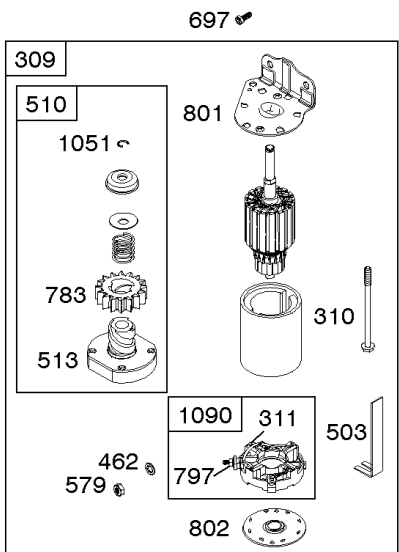
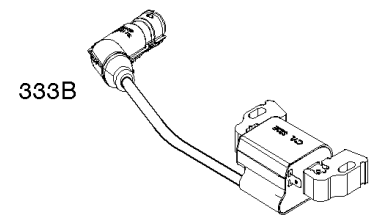
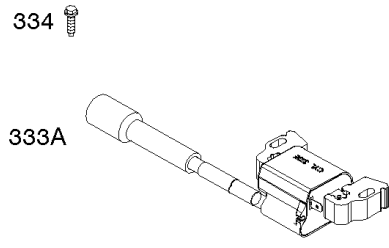
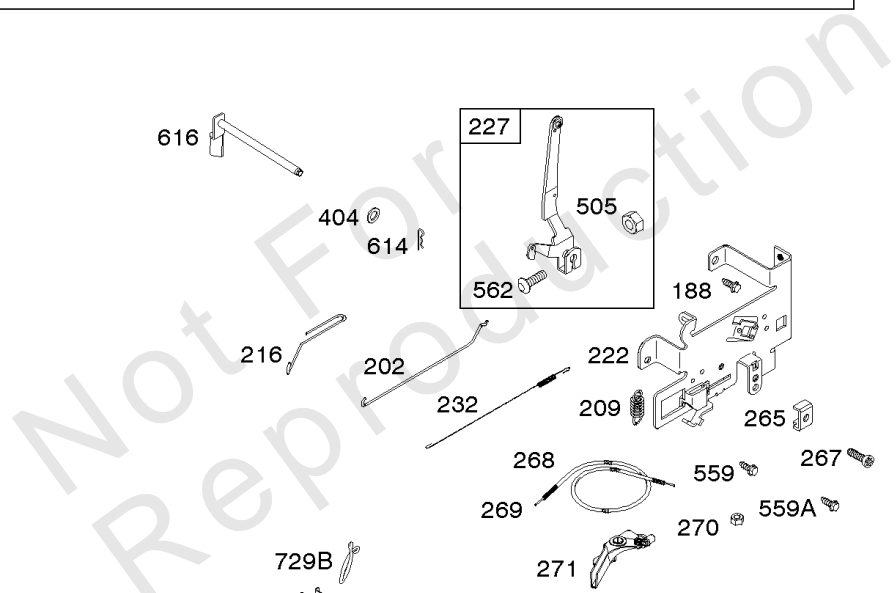
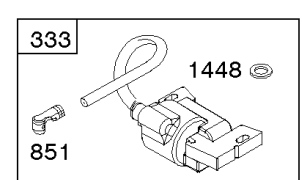
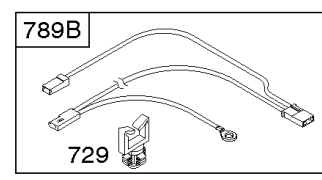
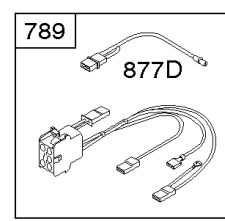
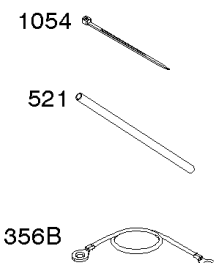
REF NO	PART NO	QTY	DESCRIPTION
305	697102		Screw -(Blower Housing)
305A	793376		Screw -(Blower Housing) (Used On Non-Grommet Style Blower Housings)
305B	795891		SCREW -(Blower Housing) (Blower Housing To Intake Elbow)
305C	799370		SCREW -(Blower Housing) (Used On Grommet Style Blower Housings)
431	697122		Elbow-Intake
445	794422		Filter-A/C Cartridge -(Use with 1.97" Long Piston Pin)
445	795115		Filter-A/C Cartridge -(Premium)
445B	594201		FILTER, A/C Cartridge -(Canister)
601	791850		CLAMP, Hose -(Green)
633C	594866		SEAL, Choke/Throttle Shaft -(Ruixing) -Used After Code Date 15112900
633D	594865		SEAL, Choke/Throttle Shaft -(Ruixing) -Used After Code Date 15112900
633E	797629		SEAL, Choke/Throttle Shaft -(Ruixing) -Used After Code Date 15112900
643	698401		Retainer-Air Filter
773	796448		RETAINER
947B	846639		SOLENOID, Fuel -(Ruixing) -Used After Code Date 15112900
964	799159		CAP, Connector
967	697015		Filter-Pre Cleaner -(Compatible with Flat Panel Style Filter)
967B	797704		FILTER, Pre Cleaner -(Compatible with Canister Style Filter)
968	698403		Cover-Air Cleaner -(Red) -Used After Code Date 08082400
968	699986		Cover-Air Cleaner -(Black) -Used Before Code Date 08082500
968	699848		Cover-Air Cleaner -(Red) -Used Before Code Date 08082500
975B	594867		BOWL, Float -(Ruixing) -Used After Code Date 15112900
1040	698368		PLATE, Trim
1040B	699852		PLATE, Trim
1139	796449		WASHER -(Fuel Pump Bracket)
1266	691917		SEAL, O-Ring -(Intake Elbow)
1266A	697123		Seal-O Ring -(Intake Elbow)
1267	697419		Latch-Blower Housing

DUAL CIRCUIT		5/9 AMP		TRI CIRCUIT		10/16 AMP	
474B	1059	474C	1059	474C	1059	474D	1059



**NOTE:** All stators use a No. 1119 mounting screw.

**NOTE:** The proper flywheel part number and/or the alternator magnet size will determine the alternator type or output. See repair instruction manual for additional information.

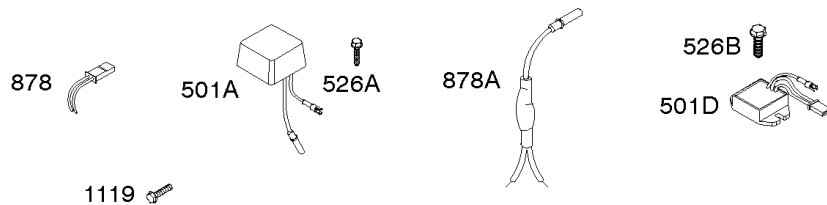




## Alternator, Controls, Electric Starter, Governor Spring, Ignition

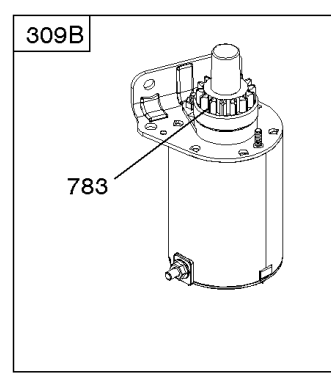
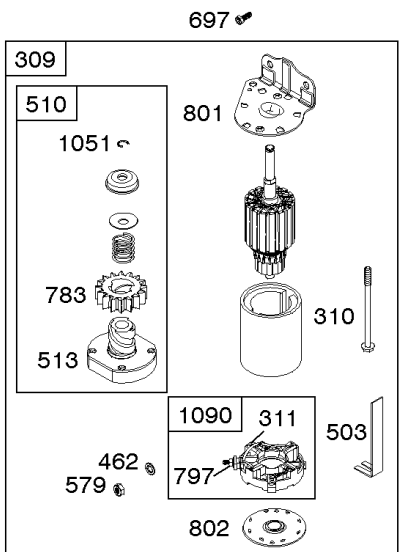
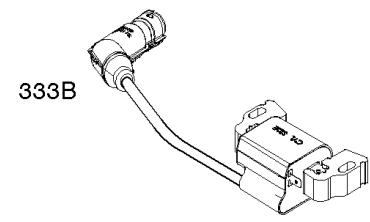
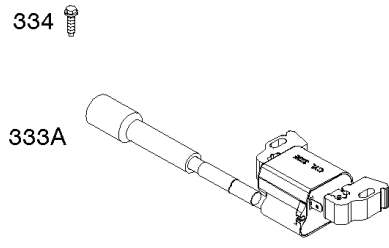
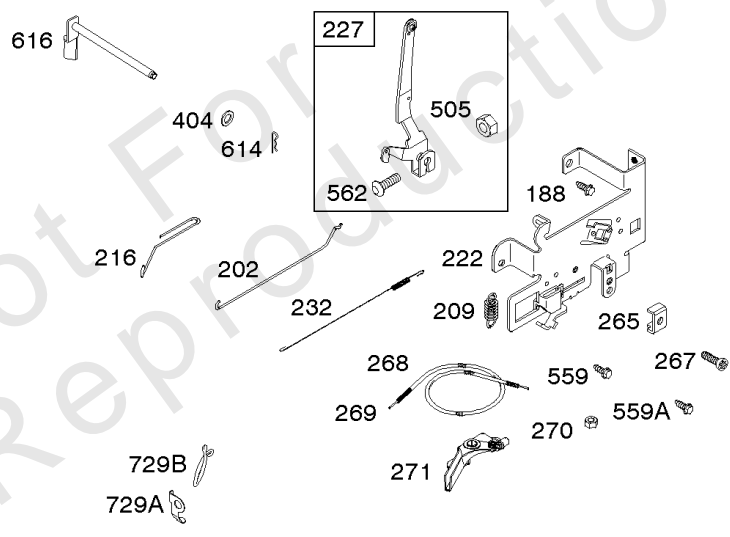
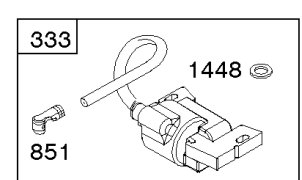
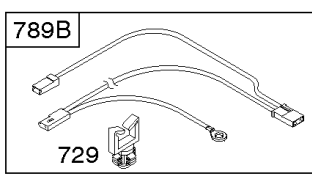
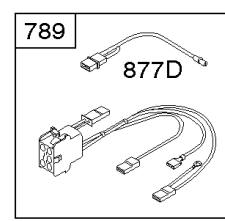
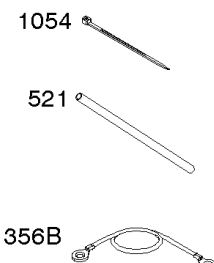
REF NO	PART NO	QTY	DESCRIPTION
188	691693		SCREW -(Control Bracket)
202	691841		LINK, Mechanical Governor
209	796261		Spring-Governor
216	691840		LINK, Choke
222	694042		Bracket-Control
227	691374		LEVER, Governor Control
232	691842		SPRING, Governor Link
265	691024		CLAMP, Casing
267	794904		SCREW -(Casing Clamp)
268	691025		CASING, Control Wire -(Cut To Required Length)
269	691026		WIRE, Control -(Cut To Required Length)
270	691027		NUT -(Control Wire Casing)
271	691028		Lever-Control
309	593934		MOTOR, Starter
310	690323		BOLT -(Starter Motor)
311	497608		Brush Set
333	799650		Armature-Magneto -Used Before Code Date 16070100
333A	594626		ARMATURE, Magneto -Used After Code Date 16063000
334	691061		SCREW -(Magneto Armature)
356B	697089		WIRE, Stop
404	691691		WASHER -(Governor Crank)
462	691261		WASHER -(Starter Cable)
474C	592829		ALTERNATOR -(5 or 9 Amp. Tri Circuit, Regulated)
501A	794360		REGULATOR -(5/9 Amp.)
501D	845907		REGULATOR -(10-16 AMP.)
503	691532		STRAP, Starter
505	691251		NUT -(Governor Control Lever)
510	693699		DRIVE, Starter
513	692024		CLUTCH, Drive
521	690581		Shield-Cable
526A	697088		SCREW -(Regulator)
526B	697348		SCREW -(Regulator)
559	697561		Screw -(Remote Choke Stop) (Length .375 Inches)
559A	693675		Screw -(Remote Choke Stop) (Length .419 Inches)
562	691119		BOLT -(Governor Control Lever)
579	691029		NUT -(Starter Cable)

DUAL CIRCUIT		5/9 AMP		TRI CIRCUIT		10/16 AMP	
474B	1059	474C	1059	474C	1059	474D	1059



**NOTE:** All stators use a No. 1119 mounting screw.

**NOTE:** The proper flywheel part number and/or the alternator magnet size will determine the alternator type or output. See repair instruction manual for additional information.



## Alternator, Controls, Electric Starter, Governor Spring, Ignition

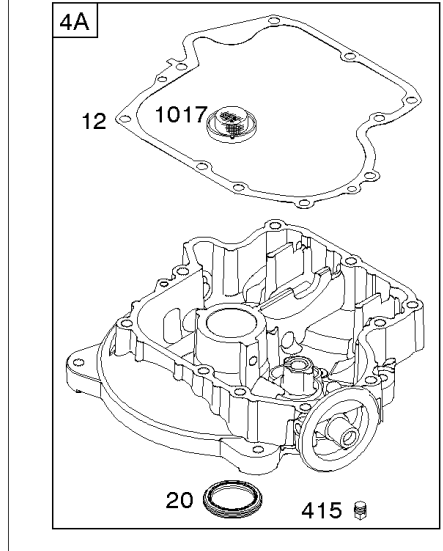
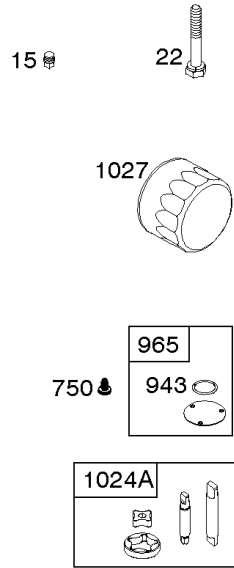
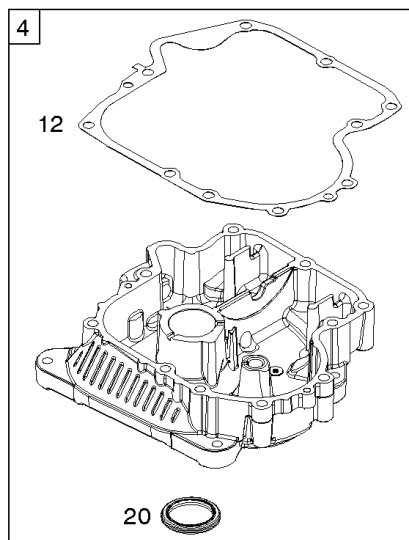
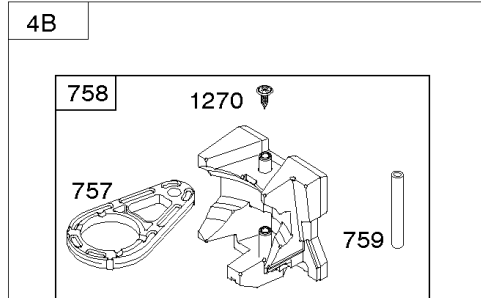
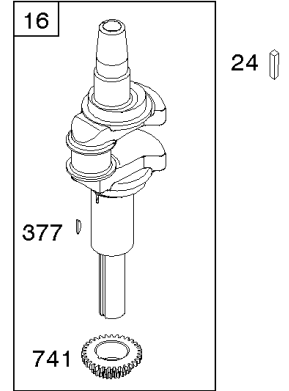
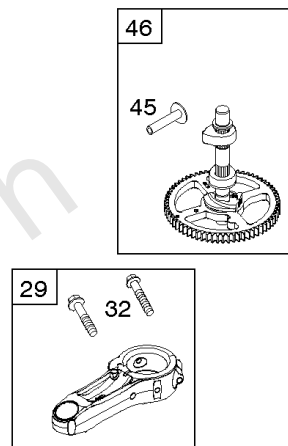
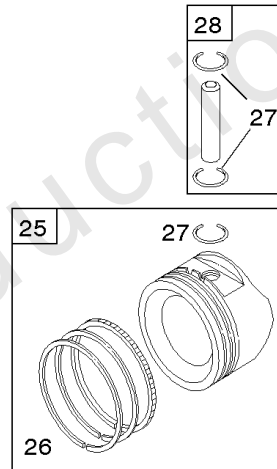
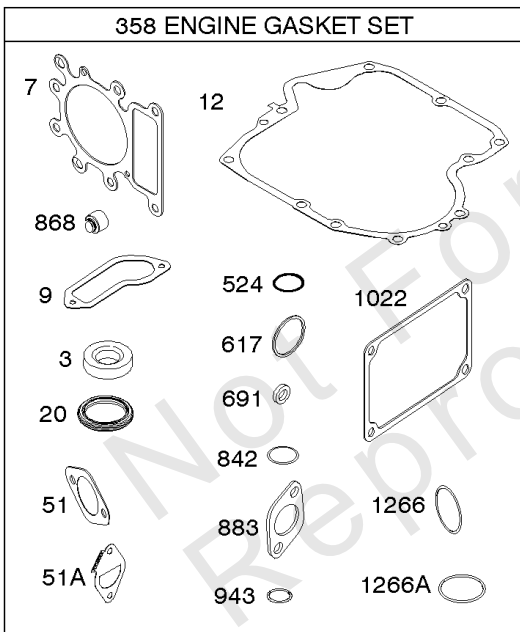
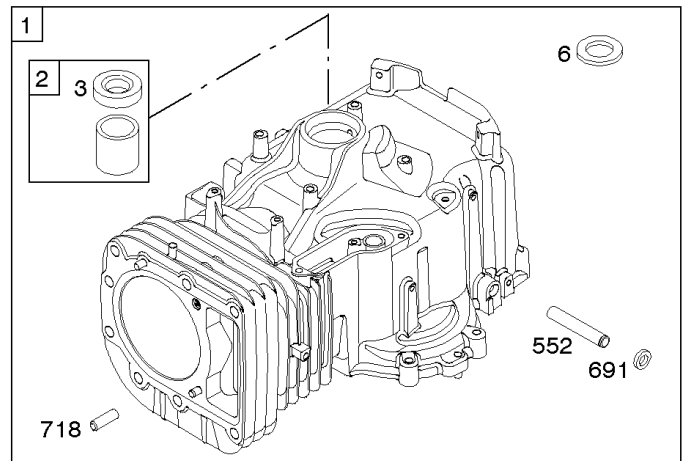
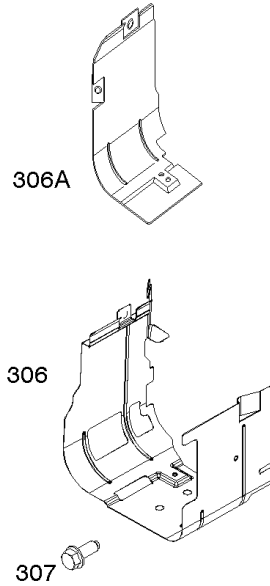
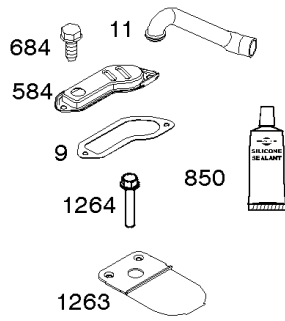
REF NO	PART NO	QTY	DESCRIPTION
614	691620		PIN, Cotter
616	692012		CRANK, Governor
697	791680		SCREW -(Starter Motor) (Drive Cap)
729	691335		Clip-Wire
729A	691224		CLIP, Wire
729B	694123		Clip-Wire
783	593935		GEAR, Pinion
789	698329		HARNESS, Wiring
789B	692037		HARNESS, Wiring
797	693167		NUT -(Brush Retainer)
801	691283		CAP, Drive
802	691286		CAP, End
851	692424		Terminal-Spark Plug
877	393456		WIRE/CONNECTOR, Alternator -(Dual Circuit)
877C	399916		Wire/Connector-Alternator
877D	790544		WIRE/CONNECTOR, Alternator
878	398661		Harness-Alternator -(Dual Circuit)
878A	691955		Harness-Alternator -(Tri Circuit)
1051	691265		RING, Retaining
1054	280275		Tie-Cable
1059	698516		KIT, Screw/Washer
1090	691293		RETAINER, Brush
1119	691183		SCREW -(Alternator)
1448	690260		Washer -(Magneto Armature)

# Camshaft, Crankshaft, Counterweight, Cylinder, Engine Sump, Gasket Set - Engine,

Mfg. No: 31P707-0140-B1

1036 EMISSIONS LABEL

1319 WARNING LABEL



## Camshaft, Crankshaft, Counterweight, Cylinder, Engine Sump, Gasket Set - Engine,

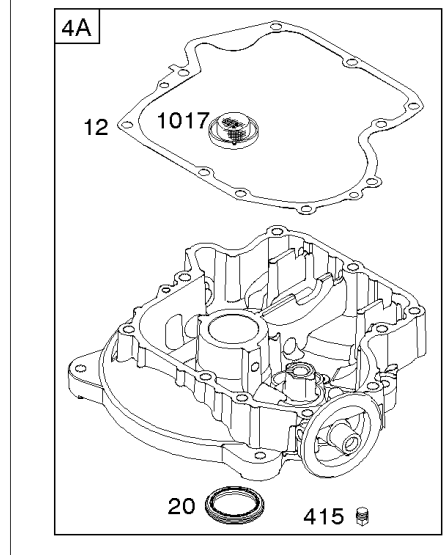
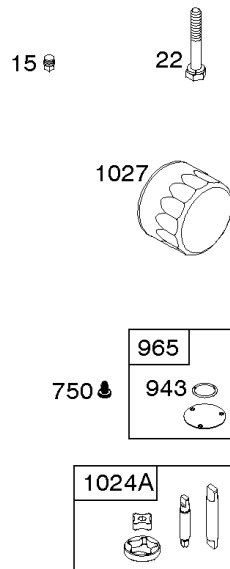
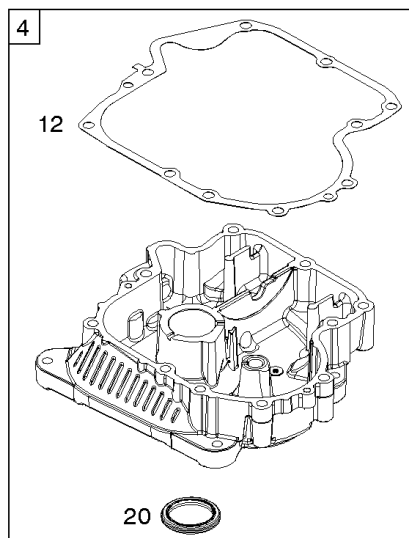
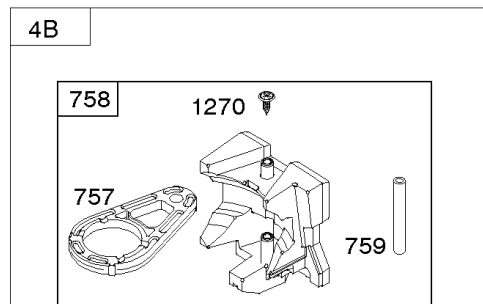
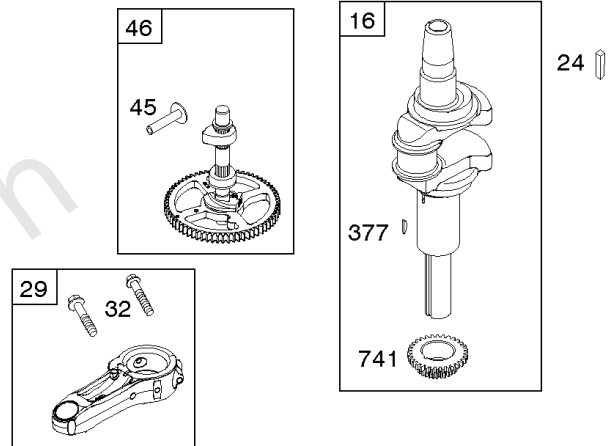
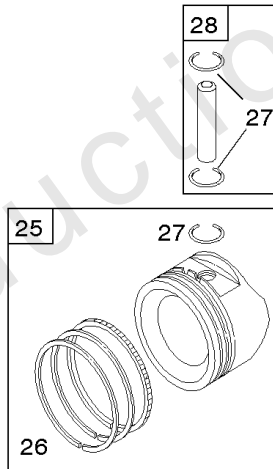
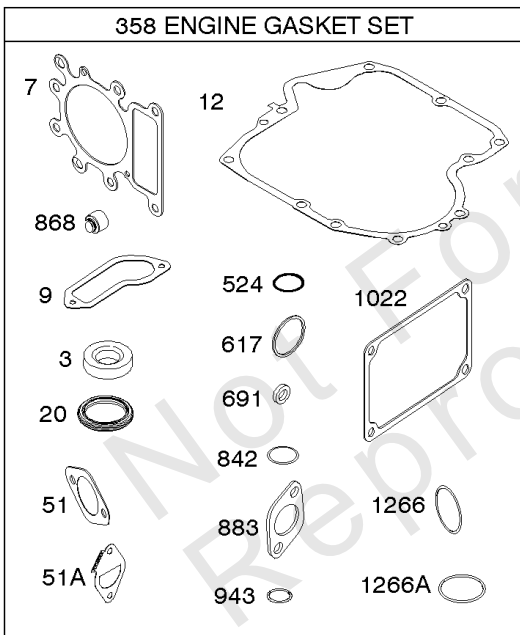
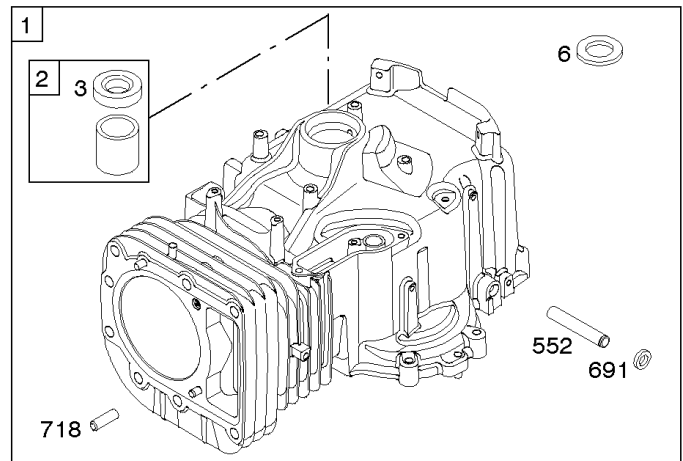
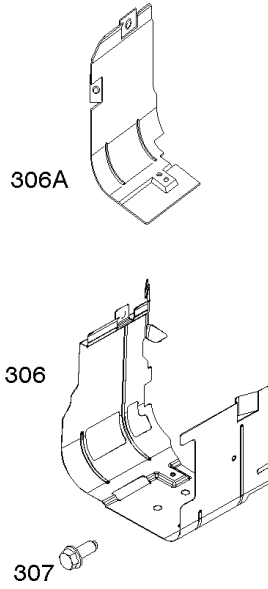
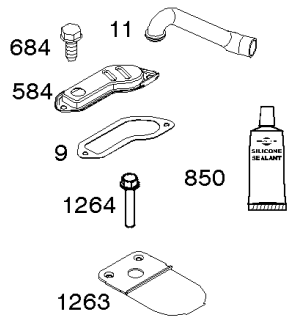
REF NO	PART NO	QTY	DESCRIPTION
1	796010		CYLINDER ASSEMBLY
1	796010		CYLINDER ASSEMBLY -MUST BE USED WITH THE AFTER 4/27/08 CYLINDER SHIELD, REF 306 -Used Before Code Date 08042800
2	797673		KIT, Bushing/Seal -(Magneto Side)
3	391086S		SEAL, Oil -(Magneto Side)
4	697106		SUMP, Engine
6	690310		Washer -(Cylinder Head) -Used After Code Date 07010900
7	796584		GASKET, Cylinder Head
9	697109		Gasket-Breather -(After Date Code Use Liquid Sealant Reference 850) -Used Before Code Date 07071900
11	794683		TUBE, Breather
12	697110		GASKET, Crankcase -(.015" Thick)(Standard)
15	690946		PLUG, Oil Drain -(Square Head)
15	691680		PLUG, Oil Drain -(Flush)
16	595339		Crankshaft -(Straight Cut Keyway) -Used Before Code Date 12071800
16	596006		CRANKSHAFT -(Angled Cut Keyway) -Used After Code Date 12071700
20	795387		SEAL, Oil -(PTO Side)
22	692125		SCREW -(Crankcase Cover/Sump)
24	591757		KEY, Flywheel -Used After Code Date 12071700
24	796335		KEY, Flywheel -Used Before Code Date 12071800
25	594435		PISTON ASSEMBLY -(Use with 1.97" Long Piston Pin) -Used After Code Date 14093000
25	796172		Piston Assembly -(Use with 1.97" Long Piston Pin) -Used Before Code Date 14100100
25	796173		Piston Assembly -(.020" Oversize)(Use with 1.97" Long Piston Pin) -Used Before Code Date 14100100
25	594436		PISTON ASSEMBLY -(.020" Oversize)(Use with 1.97" Long Piston Pin) -Used After Code Date 14093000
26	594438		RING SET -(.020" Oversize)(Use with 1.97" Long Piston Pin) -Used After Code Date 14093000
26	697559		Ring Set -(.020" Oversize)(Use with 1.97" Long Piston Pin) -Used Before Code Date 06010200
26	792649		Ring Set -(.020" Oversize)(Use with 1.97" Long Piston Pin) -Used After Code Date 06010100 -Used Before Code Date 14100100
26	594437		RING SET
27	698469		LOCK, Piston Pin

# Camshaft, Crankshaft, Counterweight, Cylinder, Engine Sump, Gasket Set - Engine,

Mfg. No: 31P707-0140-B1

1036 EMISSIONS LABEL

1319 WARNING LABEL

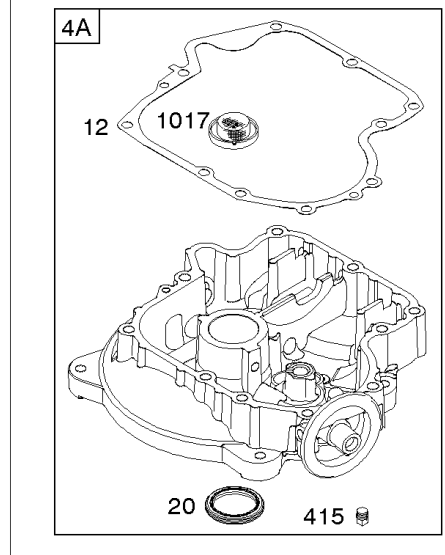
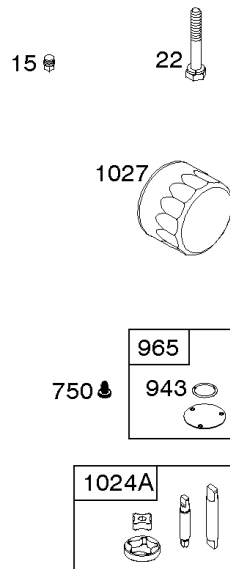
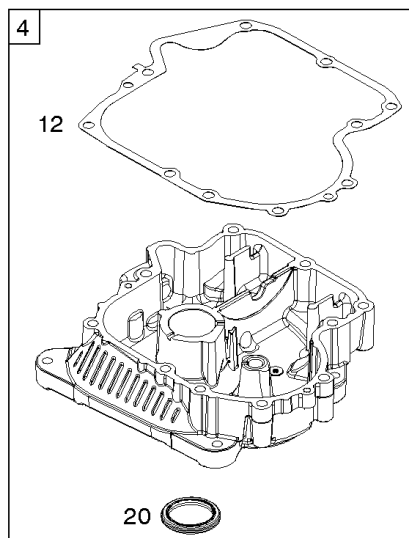
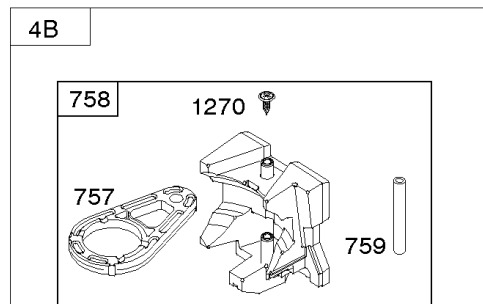
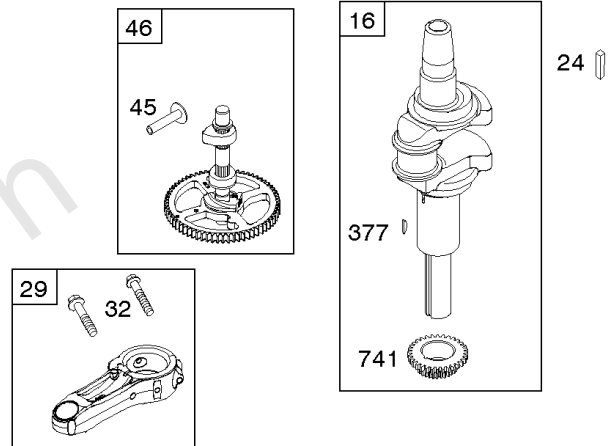
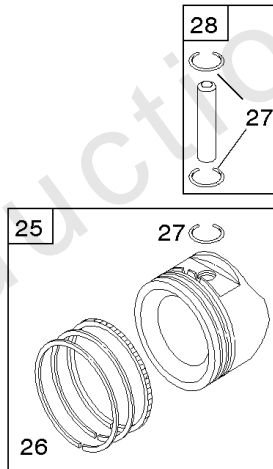
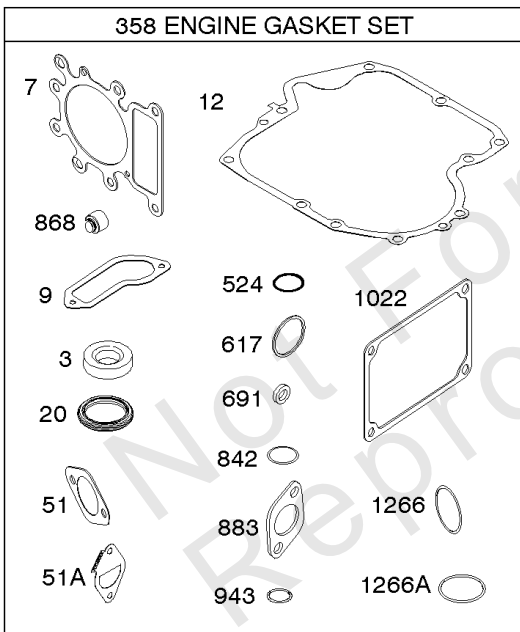
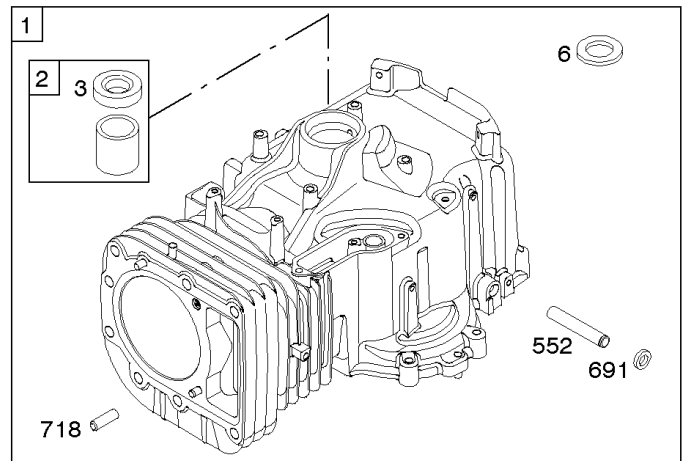
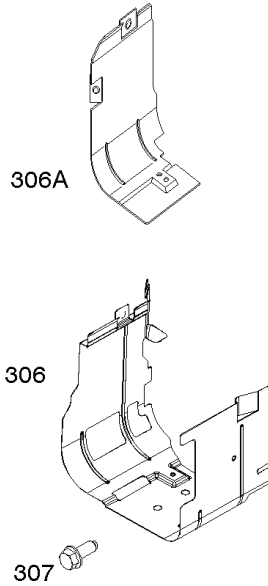
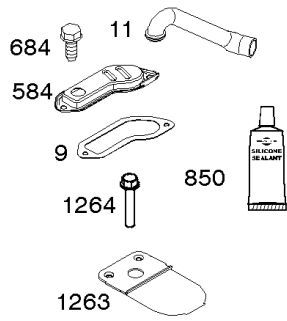


## Camshaft, Crankshaft, Counterweight, Cylinder, Engine Sump, Gasket Set - Engine,

REF NO	PART NO	QTY	DESCRIPTION
28	796007		Pin-Piston -(1.97" Long) -Used After Code Date 08042700 -Used Before Code Date 14100100
28	594439		PIN, Piston -(1.62" Long) -Used After Code Date 14093000
28	697099		Pin-Piston -(Use with 1.97" Long Piston Pin) -Used Before Code Date 08042800
29	794122		ROD, Connecting -(Use with 1.97" Long Piston Pin)
32	791118		SCREW -(Connecting Rod)
43	691968		SLINGER, Governor/Oil
45	690564		TAPPET, Valve
46	793880		CAMSHAFT
51	692137		GASKET, Intake
51A	796081		Gasket-Intake
306	697107		Shield-Cylinder -Used Before Code Date 08042800
306	592777		SHIELD, Cylinder -Used After Code Date 08042700
306A	794953		Shield-Cylinder
307	691693		SCREW -(Cylinder Shield)
358	796187		Gasket Set-Engine
377	691639		KEY, Woodruff
415	794903		PLUG -(Sump)
524	691032		SEAL, O-Ring
552	697144		BUSHING, Governor Crank
584	794682		COVER, Breather Passage -(Use with Liquid Sealant Reference 850)
617	692138		SEAL, O-Ring -(Intake Manifold)
684	697157		SCREW -(Breather Passage Cover)
691	692407		SEAL, Governor Shaft
718	690959		PIN, Locating
741	697128		GEAR, Timing
750	790832		SCREW -(Oil Pump Cover)
757	793242		LINK, Counterweight
758	793763		Counterweight -Used After Code Date 05100200 -Used Before Code Date 14100100
758	795938		Counterweight -(Must Use Kit 795938, Includes Sump And Counterweight) -Used Before Code Date 05100300
758	-----		Counterweight -(Must Use Kit 795938, Includes Sump And Counterweight) -Used Before Code Date 05100300
758	594443		COUNTERWEIGHT -Used After Code Date 14093000
759	697392		PIN, Counterweight
842	691031		SEAL, O-Ring -(Dipstick Tube)

1036 EMISSIONS LABEL

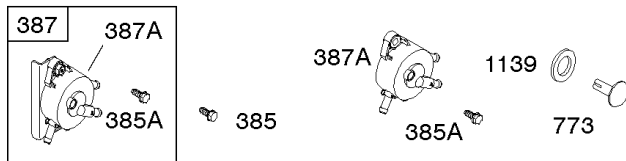
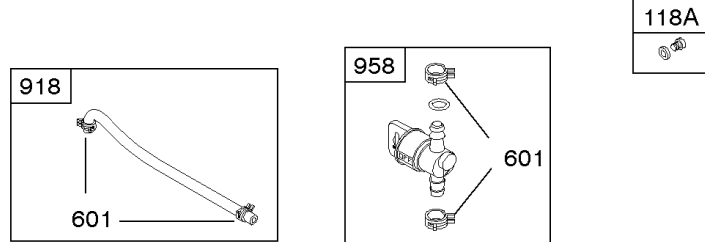
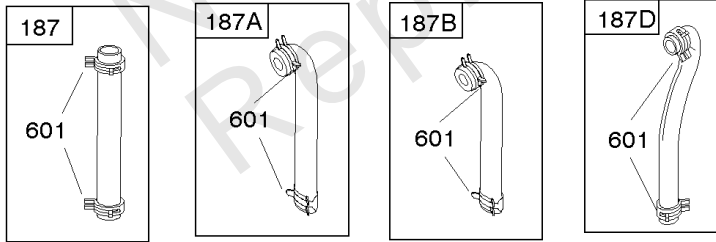
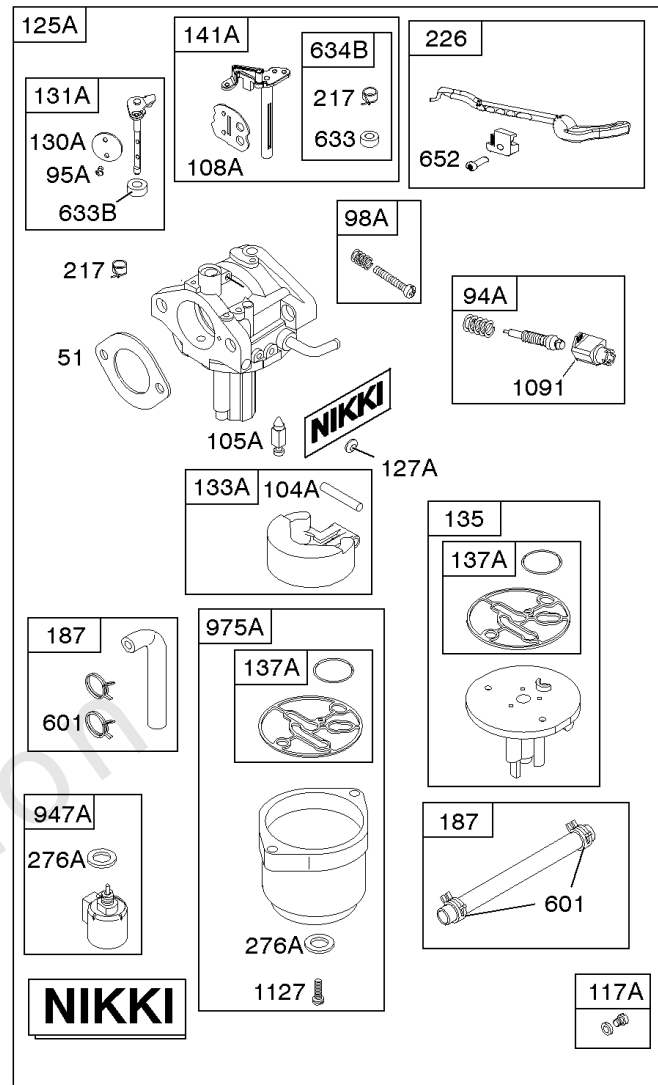
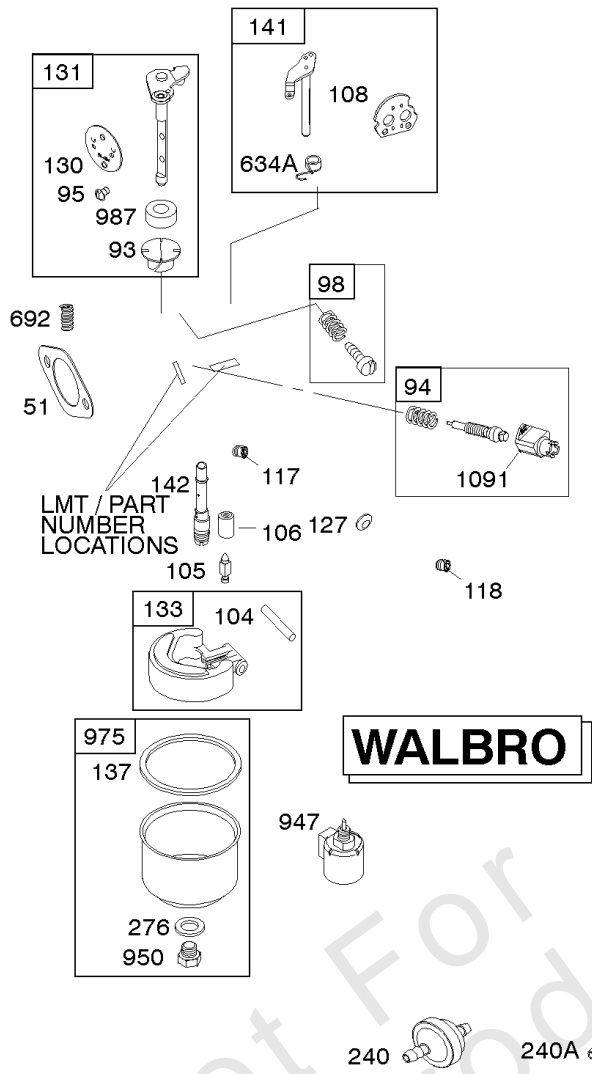
1319 WARNING LABEL





## Camshaft, Crankshaft, Counterweight, Cylinder, Engine Sump, Gasket Set - Engine,

REF NO	PART NO	QTY	DESCRIPTION
850	100106		SEALANT, Liquid -(Rocker Cover Gasket and Breather Gasket)
868	690968		SEAL, Valve
883	692236		GASKET, Exhaust
943	690589		SEAL, O-Ring -(Oil Pump Cover)
965	499613		COVER, Oil Pump
1017	796981		SCREEN, Oil Pump
1022	272475S		GASKET, Rocker Cover -(After Date Code Use Liquid Sealant Reference 850) -Used Before Code Date 07091000
1024A	794644		SHAFT, Pump
1027	696854		FILTER, Oil -(Premium)(Yellow)
1027	492932S		FILTER, Oil -(Standard)(Black)
1036	-----		Label-Emissions -(Available From A Briggs & Stratton Authorized Dealer)
1263	697124		REED, Breather
1264	697104		SCREW -(Breather Reed)
1266	691917		SEAL, O-Ring -(Intake Elbow)
1266A	697123		Seal-O Ring -(Intake Elbow)
1270	793243		PLUG, AVS Counterweight
1319	794467		LABEL, Warning

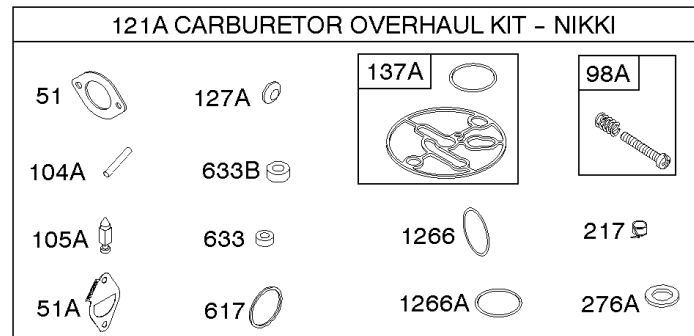
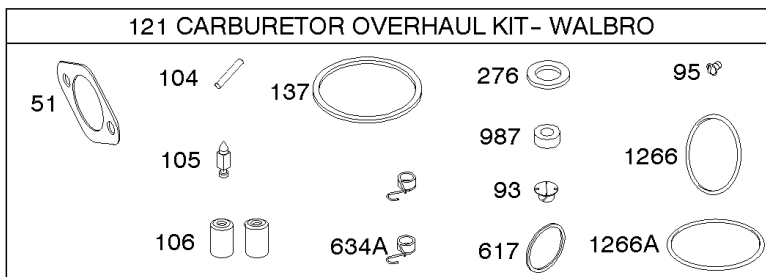
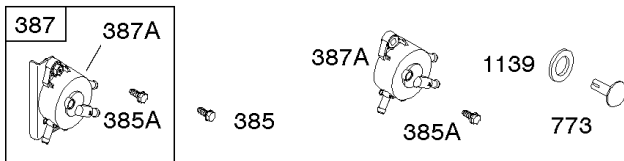
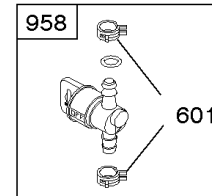
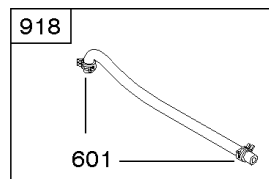
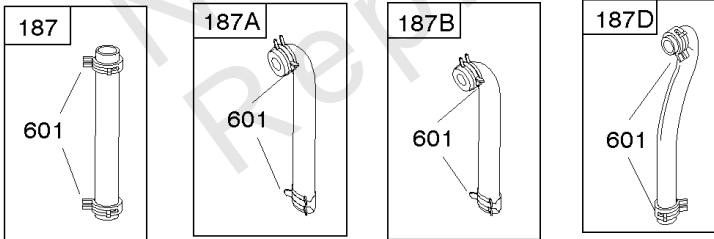
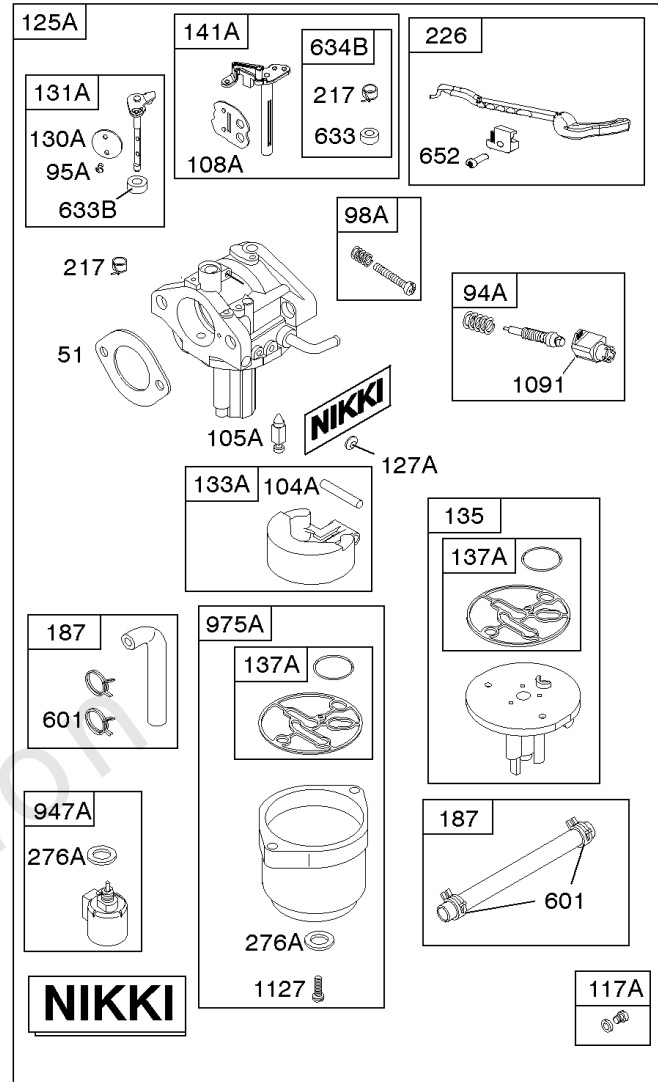
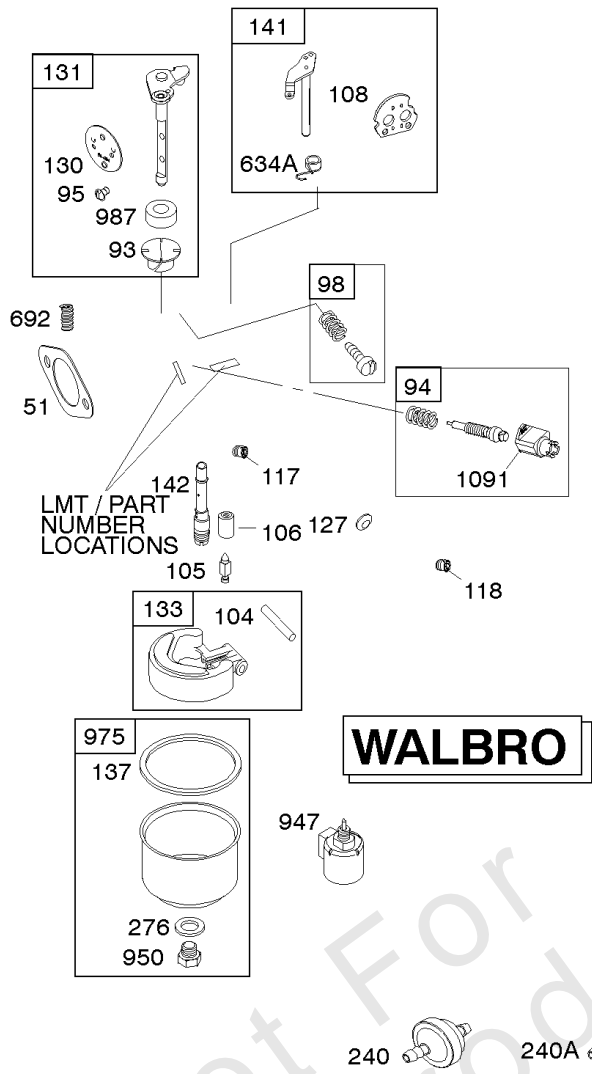


121 CARBURETOR OVERHAUL KIT - WALBRO				
51	104	137	276	95
	105		987	1266
	106	634A	93	1266A
			617	

121A CARBURETOR OVERHAUL KIT - NIKKI			
51	127A	137A	98A
104A	633B		
105A	633	1266	217
51A	617	1266A	276A

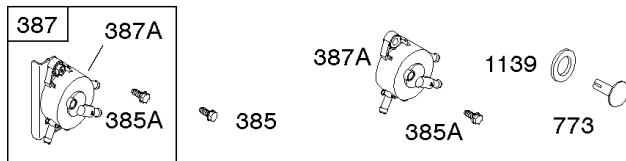
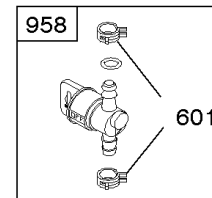
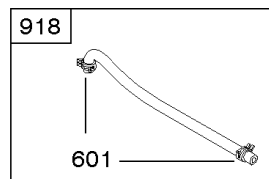
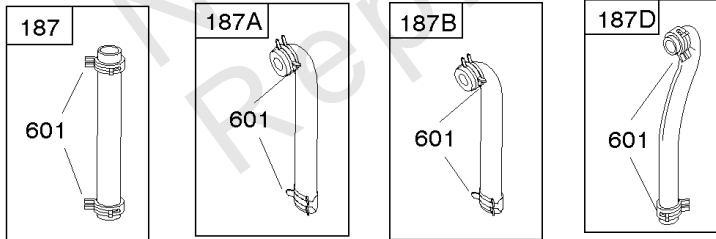
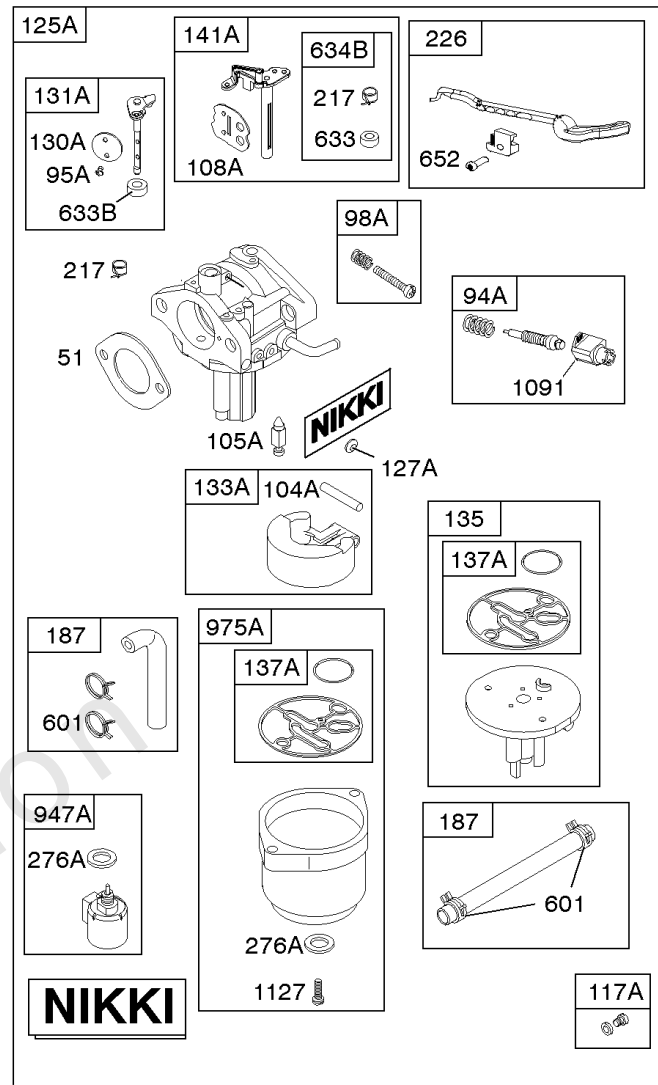
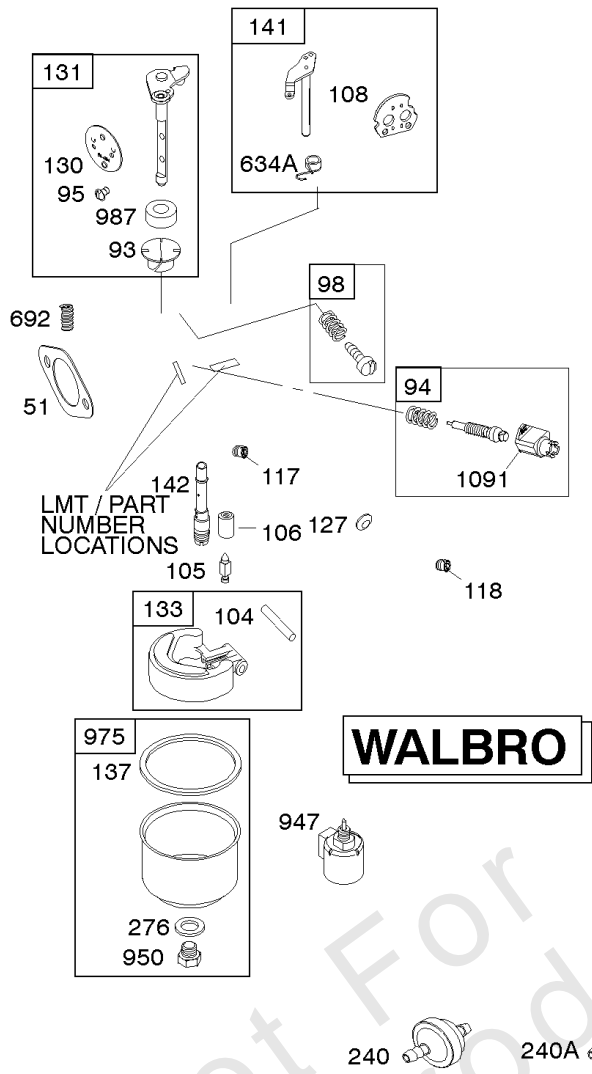
## Carburetor, Kit - Carburetor Overhaul

REF NO	PART NO	QTY	DESCRIPTION
51	692137		GASKET, Intake
51A	796081		Gasket-Intake
93	690602		Bushing-Throttle Shaft
94	794176		Kit-Idle Mixture -(Walbro)
94A	793610		KIT, Idle Mixture -(No Longer Available, For Replacement See Reference 125B)
95	691636		Screw -(Throttle Valve) (Walbro)
95A	690718		SCREW -(Throttle Valve) (No Longer Available, For Replacement See Reference 125B) -Used Before Code Date 15113000
98	495800		Kit-Idle Speed -(Walbro)
98A	695408		KIT, Idle Speed -(No Longer Available, For Replacement See Reference 125B) -Used Before Code Date 15113000
104	690525		Pin-Float Hinge -(Walbro)
104A	694918		PIN, Float Hinge -(No Longer Available, For Replacement See Reference 125B) -Used Before Code Date 15113000
105	231855S		Valve-Float Needle -(Walbro)
105A	696136		VALVE, Float Needle -(No Longer Available, For Replacement See Reference 125B) -Used Before Code Date 15113000
106	690577		Seat-Inlet -(Gravity Feed)
106	691780		Seat-Inlet -(Pump Feed)
108	692344		Valve-Choke -(Walbro)
108A	695419		Valve-Choke -(No Longer Available, For Replacement See Reference 125B) -Used Before Code Date 15113000
117A	699457		Jet-Main -(Standard) (No Longer Available, For Replacement See Reference 125B) -Used Before Code Date 15113000
118A	695415		Jet-Main -(High Altitude) (No Longer Available, For Replacement See Reference 125B) -Used Before Code Date 15113000
121	697241		Kit-Carburetor Overhaul -(Walbro Carburetor)
121A	796184		KIT, Carburetor Overhaul -(Nikki Carburetor) -Used Before Code Date 15113000
125A	591731		Carburetor -(No Longer Available, For Replacement See Reference 125B) -Used Before Code Date 15113000
127	695005		Plug-Welch -(5/16" Diameter)
127A	690727		PLUG, Welch -(No Longer Available, For Replacement See Reference 125B)
130	691750		Valve-Throttle -(Walbro)
130A	699500		Valve-Throttle -(No Longer Available, For Replacement See Reference 125B) -Used Before Code Date 15113000
131	790901		Kit-Throttle Shaft -(Walbro)



## Carburetor, Kit - Carburetor Overhaul

REF NO	PART NO	QTY	DESCRIPTION
131A	699501		Kit-Throttle Shaft -(No Longer Available, For Replacement See Reference 125B) -Used Before Code Date 15113000
133	494381		Float-Carburetor -(Walbro)
133A	694914		FLOAT, Carburetor -(No Longer Available, For Replacement See Reference 125B) -Used Before Code Date 15113000
135	698780		Tube-Fuel Transfer -(Nikki)(Gravity Feed)(Does Not Include Jet)
135	796400		TUBE, Fuel Transfer -(Pump Feed Carburetor) -Used After Code Date 13071800
135	792022		Tube-Fuel Transfer -(Pump Feed)(Does Not Include Jet) -Used Before Code Date 13071900
137	281165S		Gasket-Float Bowl -(Walbro)
137A	698781		GASKET, Float Bowl -(No Longer Available, For Replacement See Reference 125B) -Used Before Code Date 15113000
141	790902		Kit-Choke Shaft
141A	792777		Kit-Choke Shaft -(No Longer Available, For Replacement See Reference 125B) -Used Before Code Date 15113000
142	697140		Nozzle-Carburetor
187	791766		LINE, Fuel -(Straight)(Cut To Required Length)
187A	791806		Line-Fuel -(Formed)(21" Long)(Cut to Required Length)
187B	791805		LINE, Fuel -(Formed)(Cut To Required Length)
187D	791744		LINE, Fuel -(Formed)(14 Inches Long)(Cut To Required Length)
217	695409		SPRING, Choke Return -(No Longer Available, For Replacement See Reference 125B) -Used Before Code Date 15113000
226	793386		KIT, Choke Shaft
240	394358S		FILTER, Fuel -(White, 75 Microns)
240A	691035		FILTER, Fuel -(Includes Paper Element With A 40 Micron Rating)
276	692255		Washer-Sealing -(Walbro)
276A	695410		WASHER, Sealing -(No Longer Available, For Replacement See Reference 125B) -Used Before Code Date 15113000
385	694476		Screw -(Fuel Pump)
385A	690297		Screw -(Fuel Pump)
387	697090		Pump-Fuel -Used Before Code Date 08082500
387A	808656		PUMP, Fuel -Used After Code Date 08082400
601	791850		CLAMP, Hose -(Green)
617	692138		SEAL, O-Ring -(Intake Manifold)
633	699813		SEAL, Choke/Throttle Shaft



121 CARBURETOR OVERHAUL KIT - WALBRO				
51	104	137	276	95
	105		987	1266
	106	634A	93	617
			617	1266A

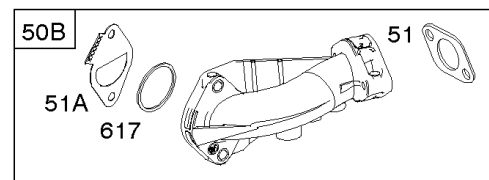
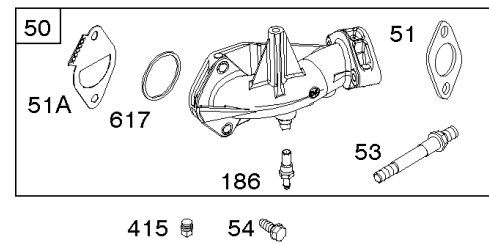
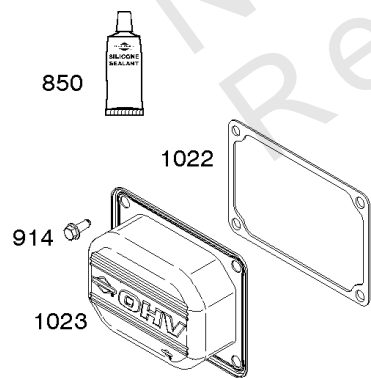
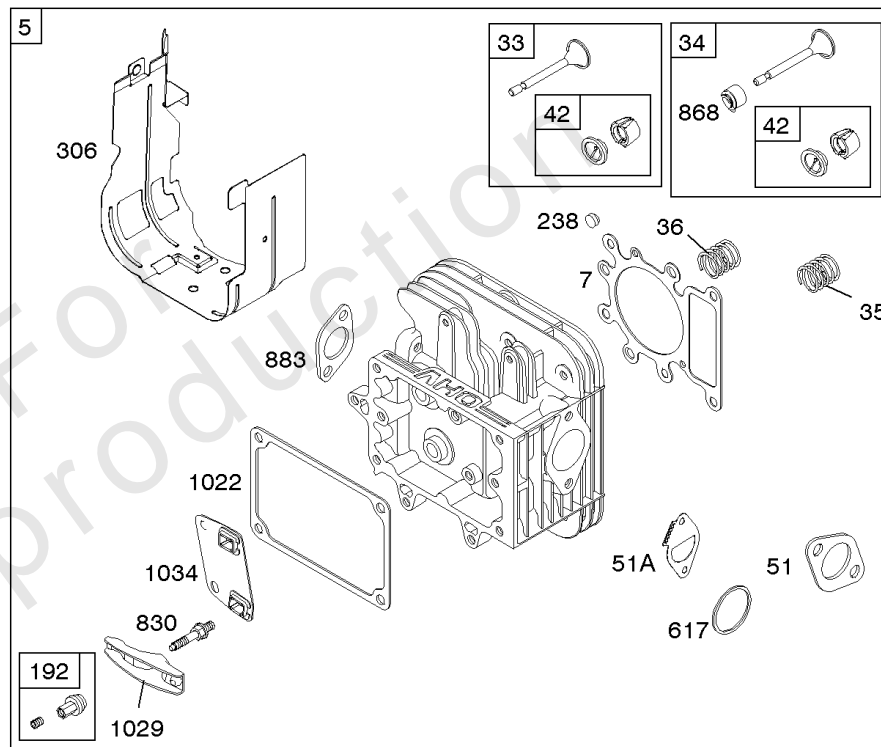
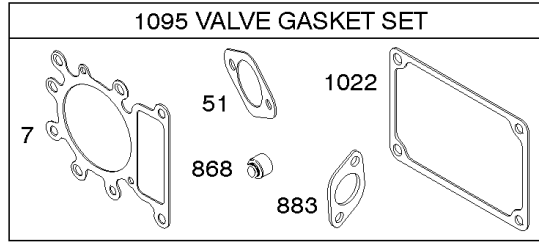
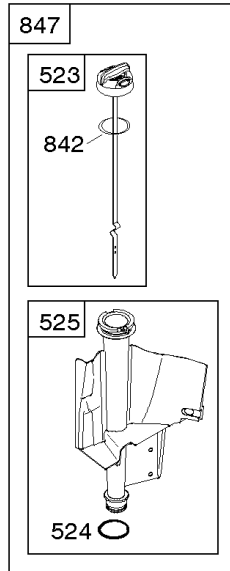
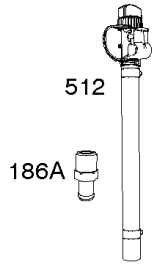
121A CARBURETOR OVERHAUL KIT - NIKKI			
51	127A	137A	98A
104A	633B		
105A	633	1266	217
51A	617	1266A	276A

## Carburetor, Kit - Carburetor Overhaul

REF NO	PART NO	QTY	DESCRIPTION
633B	690998		SEAL, Choke/Throttle Shaft -(No Longer Available, For Replacement See Reference 125B) -Used Before Code Date 15113000
634A	690802		Spring/Seal Assembly -(Walbro)
634B	698779		Spring/Seal Assembly -(No Longer Available, For Replacement See Reference 125B)
652	793380		SCREW -(Support Bracket)
692	590931		Spring-Detent
773	796448		RETAINER
918	791851		Hose-Vacuum
947	694393		Solenoid-Fuel -(Walbro)
947A	699915		Solenoid-Fuel -(No Longer Available, For Replacement See Reference 125B) -Used Before Code Date 15113000
950	691657		Screw-Float Bowl
958	698183		VALVE, Fuel Shut Off(PLT)
975	495933		Bowl-Float
975A	699502		BOWL, Float -(No Longer Available, For Replacement See Reference 125B) -Used Before Code Date 15113000
987	691326		Seal-Throttle Shaft
1091	691333		Cap-Limiter
1127	695407		SCREW, Float Bowl -(Float Bowl to Carburetor Body)
1139	796449		WASHER -(Fuel Pump Bracket)
1266	691917		SEAL, O-Ring -(Intake Elbow)
1266A	697123		Seal-O Ring -(Intake Elbow)

# Cylinder Head, Gasket Set - Valve, Intake Manifold, Lubrication, Valves

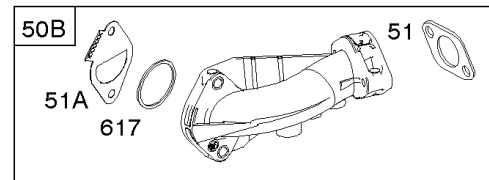
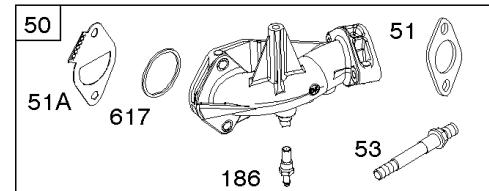
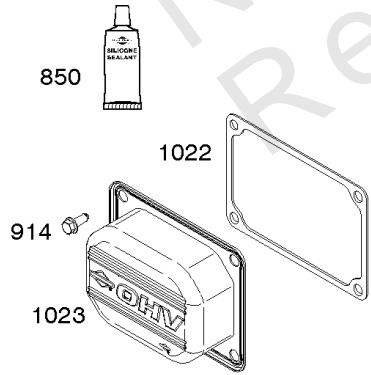
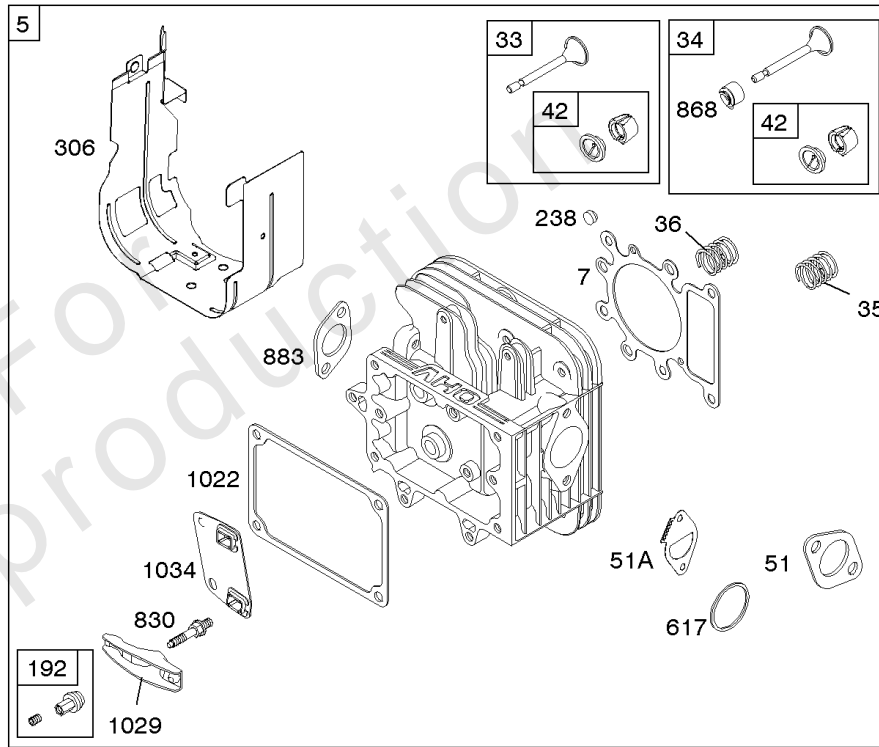
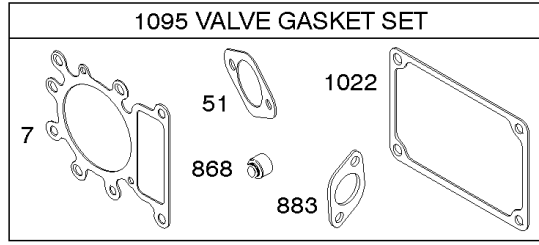
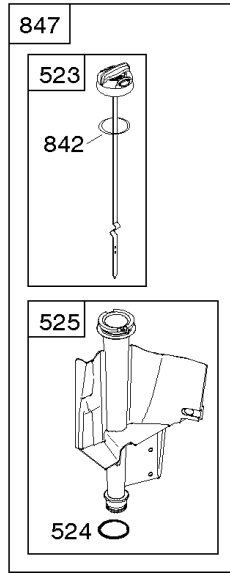
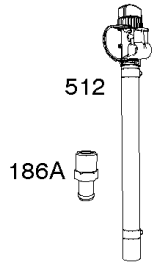
Mfg. No: 31P707-0140-B1





## Cylinder Head, Gasket Set - Valve, Intake Manifold, Lubrication, Valves

REF NO	PART NO	QTY	DESCRIPTION
5	796026		HEAD, Cylinder
7	796584		GASKET, Cylinder Head
13	592244		SCREW -(Cylinder Head) (5/16-18 x 2.69) -Used After Code Date 07010900
13	690360		SCREW -(Cylinder Head) (5/16-18 x 2.25) -Used Before Code Date 07011000
33	792868		VALVE, Exhaust
34	791935		VALVE, Intake
35	691279		SPRING, Valve -(Intake)
36	691279		SPRING, Valve -(Exhaust)
42	499586		KEEPER, Valve
45	690564		TAPPET, Valve
50	591248		Manifold-Intake
50B	592842		MANIFOLD, Intake
51	692137		GASKET, Intake
51A	796081		Gasket-Intake
53	591260		STUD -(Carburetor) -Used After Code Date 11121800
53	690227		Stud -(Carburetor) -Used Before Code Date 11121900
54	691148		SCREW -(Intake Manifold)
186	794873		Connector-Hose
186A	796532		CONNECTOR, Hose
192	691986		ADJUSTER, Rocker Arm
238	691843		CAP, Valve
306	592777		SHIELD, Cylinder -Used After Code Date 08042700
306	697107		Shield-Cylinder -Used Before Code Date 08042800
307	691693		SCREW -(Cylinder Shield)
337	491055S		PLUG, Spark -(Resistor)
383	89838S		Wrench-Spark Plug
415	794903		PLUG -(Sump)
512	594200		HOSE, Oil Drain
523	699908		DIPSTICK
524	691032		SEAL, O-Ring
525	697085		TUBE, Dipstick
617	692138		SEAL, O-Ring -(Intake Manifold)
635	691909		BOOT, Spark Plug
654	690958		NUT -(Carburetor)
830	691095		STUD, Rocker Arm
842	691031		SEAL, O-Ring -(Dipstick Tube)
847	790443		DIPSTICK/TUBE ASSEMBLY
850	100106		SEALANT, Liquid -(Rocker Cover Gasket and Breather Gasket)



## ***Cylinder Head, Gasket Set - Valve, Intake Manifold, Lubrication, Valves***

REF NO	PART NO	QTY	DESCRIPTION
868	690968		SEAL, Valve
883	692236		GASKET, Exhaust
914	691108		SCREW -(Rocker Cover)
1022	272475S		GASKET, Rocker Cover -(After Date Code Use Liquid Sealant Reference 850) -Used Before Code Date 07091000
1023	797421		COVER, Rocker
1026	692011		ROD, Push -(Exhaust)
1026	692003		ROD, Push -(Intake)
1029	691751		ARM, Rocker
1034	690822		GUIDE, Push Rod
1095	794152		Gasket Set-Valve

Not For  
Reproduction

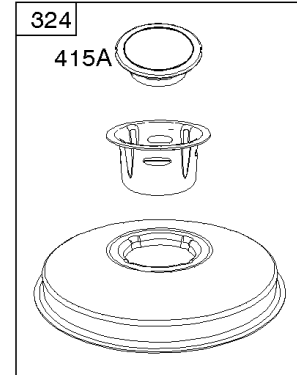
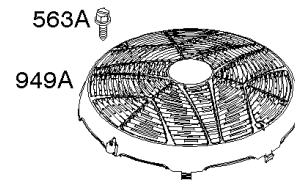
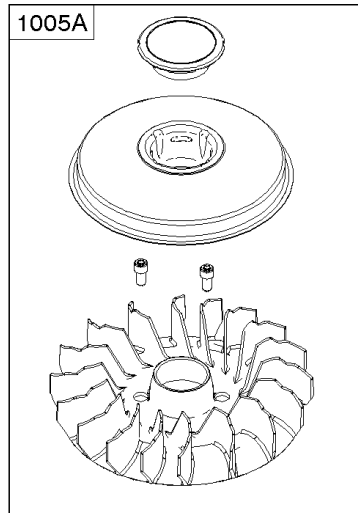
74 

73B

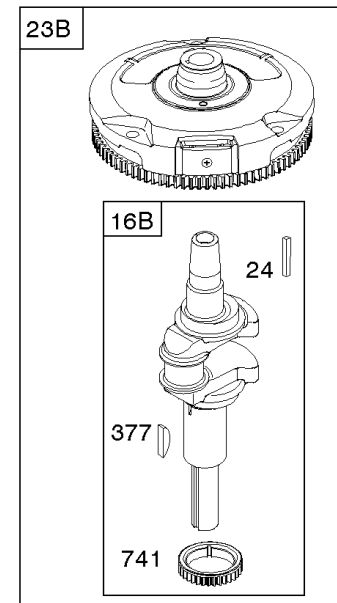
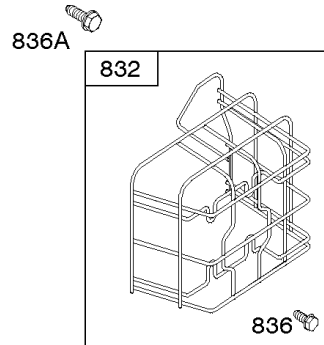
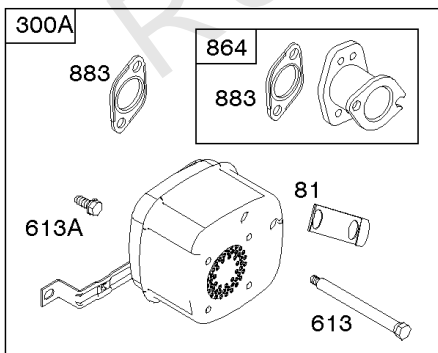
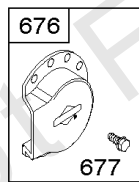
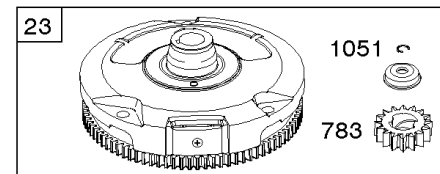
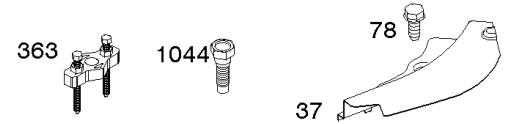
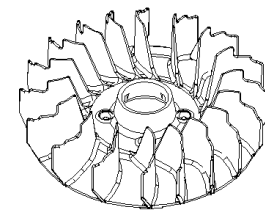
1070 

1005B

1070A  



1005





## Flywheel

REF NO	PART NO	QTY	DESCRIPTION
16B	596006		CRANKSHAFT -(Angled Cut Keyway)
23	698282		Flywheel -Used Before Code Date 12071800
23	591758		Flywheel -Used After Code Date 12071700
24	796335		KEY, Flywheel -Used Before Code Date 12071800
24	591757		KEY, Flywheel -Used After Code Date 12071700
37	697352		GUARD, Flywheel
73B	-----		Screen-Rotating -(No Longer Available)(See Reference 1005A for Service Flywheel Fan) -Used Before Code Date 07040900
74	697897		Screw -(Rotating Screen) -Used Before Code Date 07040900
78	691693		SCREW -(Flywheel Guard)
81	691178		LOCK, Muffler Screw
300A	795998		MUFFLER
363	19203		PULLER, Flywheel
377	691639		KEY, Woodruff
415A	794129		PLUG -(Cover/Retainer) -Used After Code Date 07040800
563A	799359		Screw -(Debris Screen Guard)
613	691416		SCREW -(Muffler) (Muffler)
613A	691678		SCREW -(Muffler) (Muffler)
676	795036		DEFLECTOR, Muffler
676A	396903		DEFLECTOR, Muffler -(Direct Out)
677	690661		SCREW -(Muffler Deflector)
741	697128		GEAR, Timing
783	593935		GEAR, Pinion
823	698941		SCREW -(Muffler Adapter)
832	790293		GUARD, Muffler
836	691676		Screw -(Muffler Guard)
836A	690367		Screw -(Muffler Guard)
864	796002		ADAPTER, Muffler -(2 1/4" Long)
883	692236		GASKET, Exhaust
949A	799358		Guard-Debris Screen
1005	796083		FAN, Flywheel -Used After Code Date 07040800
1005A	796201		Fan-Flywheel -Used Before Code Date 07040900
1005B	-----		Fan-Flywheel -(No Longer Available)(See Reference 1005A for Service Flywheel Fan)
1044	698139		SCREW -(Flywheel)

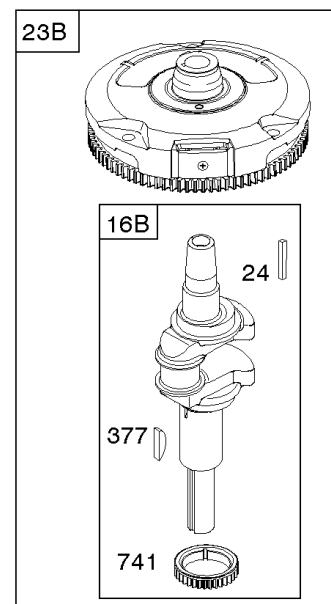
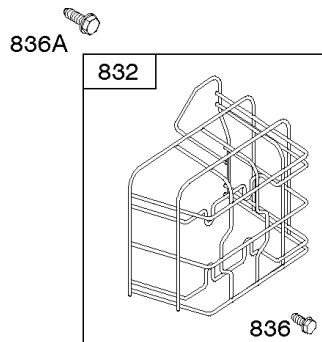
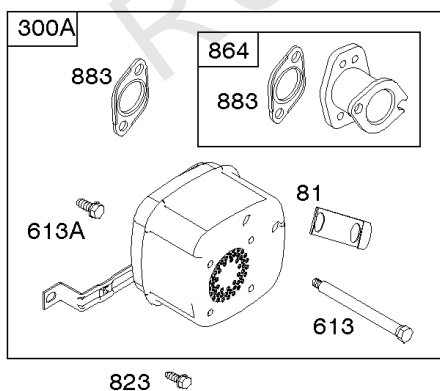
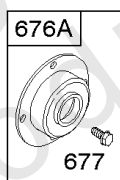
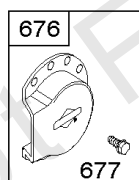
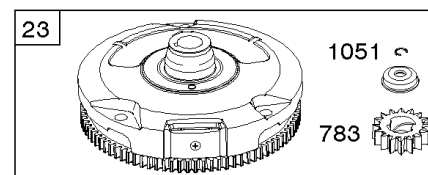
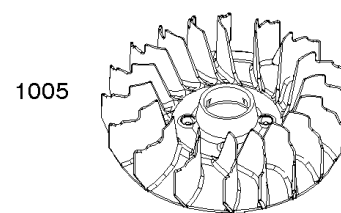
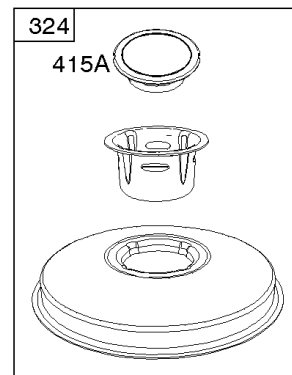
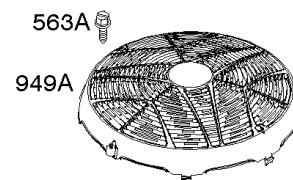
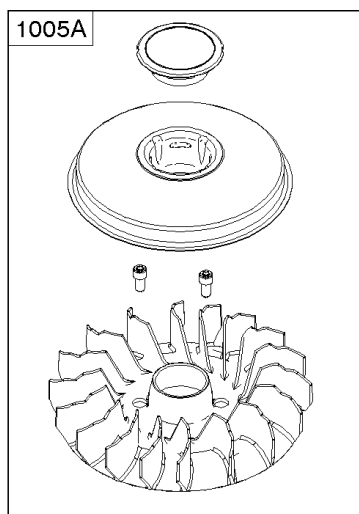
74 

73B

1070 

1070A  

1005B



## *Flywheel*

REF NO	PART NO	QTY	DESCRIPTION
1051	691265		RING, Retaining
1070	791680		SCREW -(Flywheel Fan) -Used Before Code Date 07040900
1070A	690363		Screw -(Flywheel Fan) -Used After Code Date 07040800 -Used Before Code Date 08061000

Not For  
Reproduction

## Replacement Engine

REF NO	PART NO	QTY	DESCRIPTION
	31N7073026	1	Replacement Engine
	592059	1	Replacement Short Block
	-----		Top No-Load Speed: 3150 -Trim: ALL
	-----		Short Block Note: Engines Built Prior to 07/12/2012 should use short block 697761. Engines built on or after 07/12/2012 should use short block 592059.

Not For  
Reproduction



