

GENERAL PURPOSE ENGINE

**GXV520U
GXV530U
GXV530R**

PARTS CATALOGUE

2



GXV520U



GXV530U

FOREWORD INDEX

1

ENGINE GROUP

2

PART NUMBER INDEX

3

PART NAME INDEX

4

Instruction for use of parts catalogue

- **This parts catalogue was prepared based on the latest information available as of June 30, 2008.**
- See the parts catalogue news for any revision that is made after June 30, 2008.
- **Always specify the part number when ordering a part.**
- Check the model, type, serial numbers, color, maker, and the size as needed before ordering a part.
- Note that the illustrations (part drawings) can differ from the actual parts in shape. They are given just to help you to refer to the parts.
- **When modifications or additions to this parts catalogue are made, a revised edition will be issued at an appropriate time, with successively progressing revision numbers on the cover. We recommend obtaining such revisions in order to keep your parts catalogue up-to-date at all times. To check whether a parts catalogue revision has been issued, please contact your Honda distributor.**

Initial version issue date July 01, 2005
Honda Motor Co., Ltd.

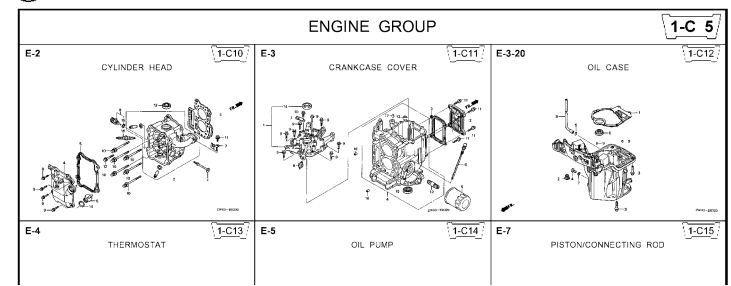
CONTENTS

	Page	Address No.	
● Instruction for use of parts catalogue	1	B 1	1
● How to refer to the part information	2	B 2	
● Part catalogue structure	3	B 3	
● When the parts were revised	4	B 4	
● Abbreviations used in the parts catalogue	4	B 4	
● How to check the part block and serial numbers	5	B 5	
● Models, parts catalogue codes and applicable serial numbers	6	B 6	
● Features of each type	8	B 8	
● Fuel hose, general purpose hoses and vinyl hose	10	B10	
● FLAT RATE SERVICE TIME	11	B11	
● Illustrated index	16	B16	
● ENGINE GROUP	19	D 1	2
● PART NO. INDEX	49	F 1	3
● PART NAME INDEX	51	G 1	4

How to refer to the part information

1

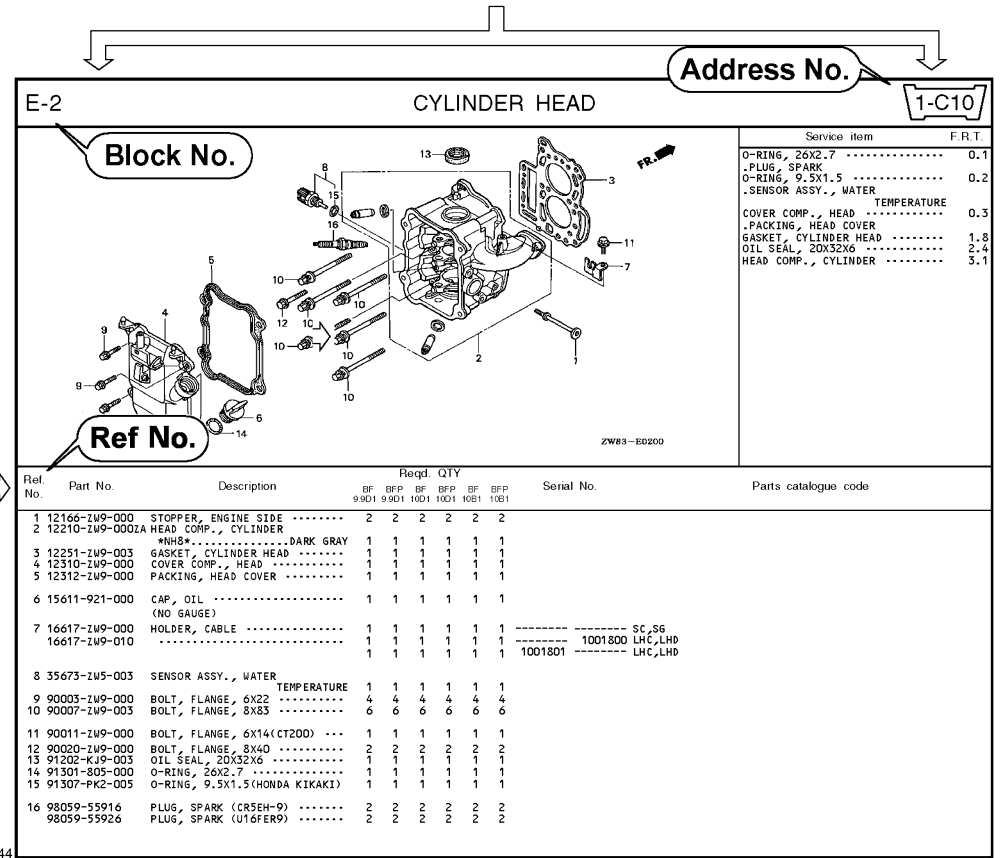
A Reference with "Illustrated index"



B Reference with "Part number index"

PART NO. INDEX

Part Number	Address	Page	Ref.	Part Number	Address	Page
06000				15212-ZW9-000	1-C14	3C
06316-ZW9-000	1-69	88	1	15220-ZW9-003	1-C14	3C
11000				15332-ZW9-000	1-E8	55
11300-ZW9-405	1-C11	27	1	15332-ZW9-A30	1-E11	5E
11300-ZW9-406	1-C11	27	1	15400-PF8-004	1-C11	27
11340-ZW9-000	1-C11	27	2	15422-ZW9-000	1-C14	3C
11342-ZW9-000	1-C11	27	3	15473-881-000	1-C14	3C
11381-ZW9-003	1-C12	28	1	15474-ZW9-000	1-C14	3C
				15611-921-000	1-C10	2E
				15655-ZW9-000	1-C11	27
12000				16000		
12000-ZW9-405ZA	1-C11	27	4	16010-ZV4-005	1-D4	3E
12155-ZV4-A00	1-C13	29	1	16011-ZV4-005	1-D4	3E
12166-ZW9-000	1-C10	26	1	16013-ZW9-003	1-D4	3E
12209-GB4-681	1-C16	32	1	16016-ZW9-003	1-D4	3E
12210-ZW9-405ZA	1-C10	26	2	16016-ZW9-721	1-D4	3E
12216-ZE2-300	1-E8	55	1	16023-ZW9-003	1-D4	3E
	1-E11	58	1	16024-ZV4-650	1-D4	3E
				16028-ZV4-650	1-D4	3E

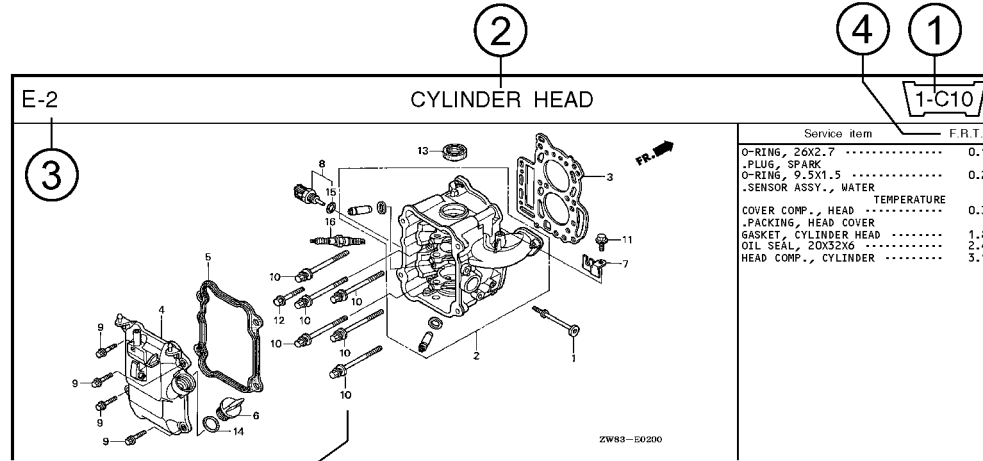


C Reference with "Part name index"

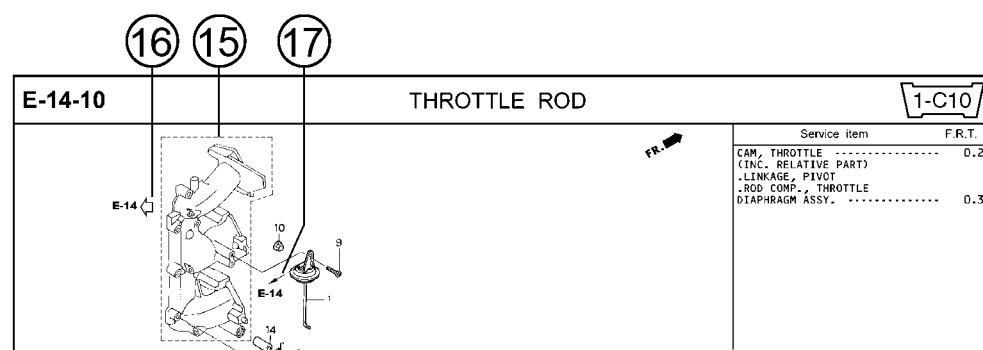
PART NAME INDEX

Part name	Address	Page	Ref.
[A]			
ABSORBER , FUEL	1-E15	62	5
ARMATURE COMP.	1-D11	43	7
ARM COMP. , LINK JOINT	1-G6	85	18
ARM COMP. , SHIFT LINK	1-G6	85	14
ARM COMP. , TILT	1-F15	79	20
ARM , FUEL PUMP ROCKER	1-C16	32	4
ARM , REVERSE LOCK	1-F15	79	18
ARM , SHIFT LINK	1-F11	74	7
ARM , STOPPER	1-D1	33	12
ARM , THROTTLE REMOTE	1-F11	74	6
ARM , VALVE ROCKER	1-C16	32	3
[B]			
BAG , TOOL , 160MM	1-G5	84	10
BAND	1-G6	86	37
BAND B1 , WIRE	1-F6	69	1
BAND , CORD	1-F3	67	18
BAND , TUBE CLIP , 11MM	1-E15	63	20
BAND , TUBE CLIP , 12.5MM	1-E15	63	19

Part catalogue structure

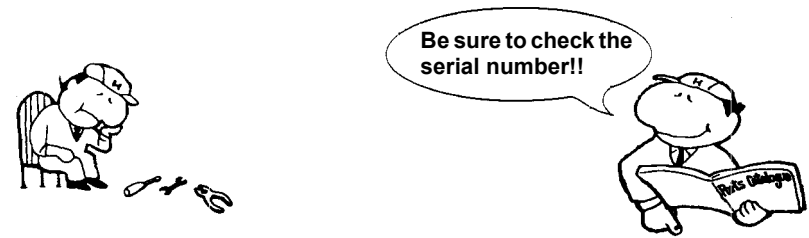


Ref. No.	Part No.	Description	Reqd. QTY						Serial No.	Parts catalogue code
			BF 9/9D1	BFP 9/9D1	BF 10D1	BFP 10D1	BF 10B1	BFP 10B1		
1	12166-ZW9-000	STOPPER, ENGINE SIDE	2	2	2	2	2	2		
2	12210-ZW9-000ZA	HEAD COMP., CYLINDER *NHS* DARK GRAY	1	1	1	1	1	1		
3	12251-ZW9-003	GASKET, CYLINDER HEAD	1	1	1	1	1	1		
4	12310-ZW9-000	COVER COMP., HEAD	1	1	1	1	1	1		
5	12312-ZW9-000	PACKING, HEAD COVER	1	1	1	1	1	1		
6	15611-921-000	CAP, OIL (NO GAUGE)	1	1	1	1	1	1		
7	16617-ZW9-000	HOLDER, CABLE	1	1	1	1	1	1	SC,SG	
	16617-ZW9-010		1	1	1	1	1	1	1001800 LHC,LHD	



- ① **Address number**
 - Address No. is provided (in place of the page No.) to help you refer to the part with the part No. or part name.
- ② **Block title** ③ **Block number**
- ④ **Service item/Flat rate time**
- ⑤ **Reference number**
 - Title number marked with the parenthesis or parentheses indicates that it continues from the previous page.
- ⑥ **Part number** ⑦ **Honda color code**
- ⑧ **Description**
- ⑨ **Assemblies**
 - Sections framed with broken lines in the exploded view drawings are available as complete assemblies. (Their individual parts can also be obtained.)
- ⑩ **Color description**
- ⑪ **Note**
 - Notes are shown with the parentheses in the part name column.
- ⑫ **Required quantity**
 - Required QTY shown in the parenthesis or parentheses indicates the optional part.
 - Required QTY marked with "N" Indicates the optional part that should be selected as needed.
 - Required QTY indicates the number of the part used in the block.
- ⑬ **Serial number**
- ⑭ **Type**
 - When the type column is blank, it indicates that the part is applicable to all types.
 - As the type of the actual unit may differ from the "parts catalogue, type" please refer to "Models, types and applicable serial numbers" for confirmation.
- ⑮ **[Dotted line]**
 - Parts enclosed within a dotted line [] are covered in a different block.
- ⑯ **[Hollow arrow]**
 - A hollow arrow [] indicates the block No. for the parts enclosed within a dotted line [] .
- ⑰ **[Solid arrow]**
 - A solid arrow [] indicates the block No. the part in question is connected to.

When the parts were revised



Ref. No.	Part No.	Description	Reqd. QTY						Serial No.
			BF 99D1	BFP 9.9D1	BF 10D1	BFP 10D1	BF 10B1	BFP 10B1	
1	12166-ZW9-000	STOPPER, ENGINE SIDE	2	2	2	2	2	2	
2	12210-ZW9-000ZA	HEAD COMP., CYLINDER *NHS* DARK GRAY	1	1	1	1	1	1	
3	12251-ZW9-003	GASKET, CYLINDER HEAD	1	1	1	1	1	1	
4	12310-ZW9-000	COVER COMP., HEAD	1	1	1	1	1	1	
5	12312-ZW9-000	PACKING, HEAD COVER	1	1	1	1	1	1	
6	15611-921-000	CAP, OIL (NO GAUGE)	1	1	1	1	1	1	
7	16617-ZW9-000	HOLDER, CABLE (###)	1	1	1	1	1	1	SC, SG LHC, LHD LHC, LHD
	16617-ZW9-010	1	1	1	1	1	1	

The number has been used from the initial model without revision.

When shown at the left side, it is applicable to the models of No.1001801 and the subsequent numbers.

When shown at the right side, it is applicable to the models up to No.1001800.

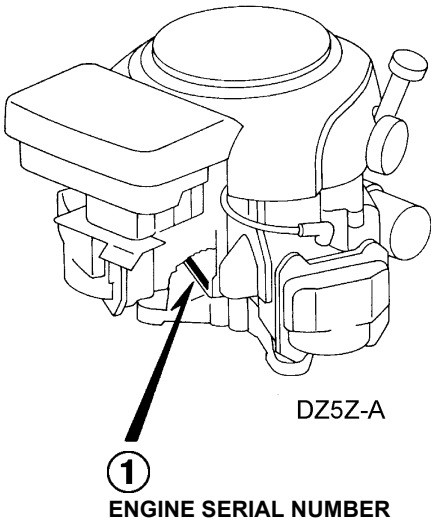
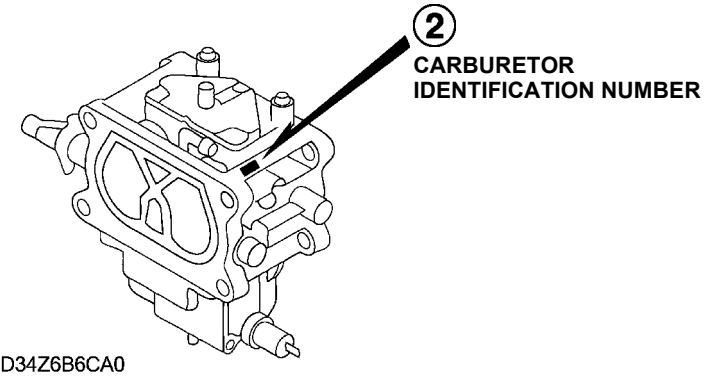
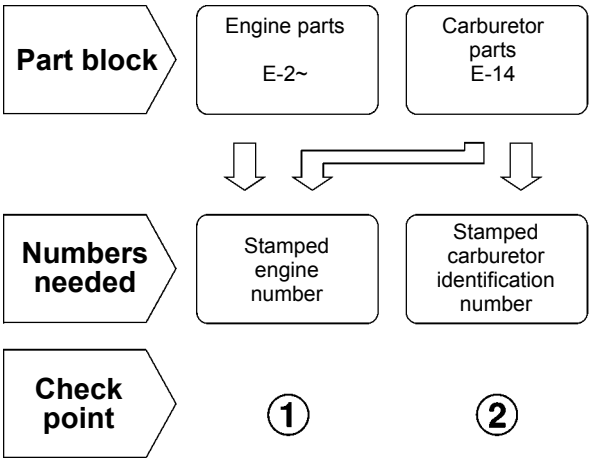
• The parts listed with "###" at the end of the parts name have limited supply period (parts not for sale).

Abbreviations used in the parts catalogue

• The following abbreviations are used in the parts name column.

- A Ampere
- A.C. Alternating current
- ASSY. Assembly
- AT. Automatic transmission
- C.D.I. Capacitive discharge ignition
- COMP. ... Complete
- D.C. Direct current
- EX. Exhaust
- G.F.C.I ... Ground fault circuit interruptor
- HEX. Hexagonal
- H.S.T. Hydrostatic transmission
- FR.Front
- IN.Inlet
- L (100L) .Link (100 Links)
- L.Left
- MMMillimeter
- MT.Manual Transmission
- P.T.O.Power take off
- R.Right
- RR.Rear
- STD.Standard
- T (22T) ...Tooth (22 Teeth)
- VVolt
- WWatt

How to check the part block and serial numbers



Models, parts catalogue codes and applicable serial numbers

- Models, parts catalogue codes and applicable serial Nos. given in this parts catalogue can be identified as follows.

Model	Type	Parts catalogue type	Applicable engine serial No.	Applicable carburetor identification No.
GXV520U	QEA3	QEA3	GJACK-1000001~	BW04B C
	QRA4	QRA4		BW04A C
	QRA5	QRA5		
	QXA4	QXA4		
	QXA5	QXA5		
GXV530U	DXA1	DXA1	GJAEK-1000001~	BW02B C
	DXA2	DXA2		BW02C A
	EEA1	EEA1		
	EXA1	EXA1		BW02B C
	EXA2	EXA2		BW02C A
	JXA3	JXA3		BW02B C
	PXA1	PXA1		
	QEA3	QEA3		
	QRA4	QRA4		BW02A C
	QRA5	QRA5		
	QXA4	QXA4		
	QXA5	QXA5		BW02B C
	QXU3	QXU3		
	QXU4	QXU4		
	SXE2	SXE2		
	SXE3	SXE3		
UXE3	UXE3			

Model	Type	Parts catalogue type	Applicable engine serial No.	Applicable carburetor identification No.
GXV530R	DXA1	DXA1	GJAEK-1000001~	BW02B C
	DXA2	DXA2		BW02C A
	EEA1	EEA1		BW02B C
	EXA1	EXA1		
	JXA3	JXA3		BW02A C
	PXA1	PXA1		
	QEA3	QEA3		BW02B C
	QRA4	QRA4		
	QRA5	QRA5		BW02A C
	QXA4	QXA4		
	QXA5	QXA5		BW02B C
	QXU3	QXU3		
	QXU4	QXU4		
	SXE2	SXE2		
UXE3	UXE3			

* Of carburetor identification numbers, only the portions underlined in the example below are used for registration.

BW04B-C

Features of each type

• See the following table for the features of each type.

Model Type		GXV520U					GXV530U					
		QEA3	QRA4	QRA5	QXA4	QXA5	DXA1	DXA2	EEA1	EXA1	EXA2	JXA3
Recoil starter spacer			●	●	●	●						
Exhaust pipe		●										●
Exhaust pipe (Flange)			●	●	●	●						
Charge coil	(12V-3A)		●	●	●	●						
	(12V-12A)						●	●	●	●	●	
	(12V-18A)	●										●

Model Type		GXV530U										
		PXA1	QEA3	QRA4	QRA5	QXA4	QXA5	QXU3	QXU4	SXE2	SXE3	UXE3
Recoil starter spacer				●	●	●	●					
Exhaust pipe			●					●	●			
Exhaust pipe (Flange)				●	●	●	●					
Charge coil	(12V-3A)			●	●	●	●					
	(12V-12A)	●						●	●	●	●	
	(12V-18A)		●									●

Model Type		GXV530R										
		DXA1	DXA2	EEA1	EXA1	JXA3	PXA1	QEA3	QRA4	QRA5	QXA4	QXA5
Recoil starter spacer									●	●	●	●
Exhaust pipe						●		●				
Exhaust pipe (Flange)									●	●	●	●
Charge coil	(12V-3A)								●	●	●	●
	(12V-12A)	●	●	●	●		●					
	(12V-18A)					●		●				

Model Type		GXV530R			
		QXU3	QXU4	SXE2	UXE3
Recoil starter spacer					
Exhaust pipe		●	●		
Exhaust pipe (Flange)					
Charge coil	(12V-3A)				
	(12V-12A)	●	●	●	
	(12V-18A)				●

Fuel hose, general purpose hoses and vinyl hose

- The standard part fuel hose, general purpose hose and vinyl hose may be substituted by the coiled bulk part.
- When ordering the standard part fuel hose, general purpose hose and vinyl hose use the bulk part number written in the parts catalog in brackets () underneath the part name.
- When exchanging the hose, cut and use at the specified length as mentioned in the part name.
(For the method of cutting the bulk part, and method of filling out orders etc., please refer to the instructions issued with the bulk part.)

Bulk part number of fuel hose, general purpose hose and vinyl hose.

Example: 9 5 0 0 1 - 7 5 0 0 1 - 5 0 M

Bulk part number:
Refers to the bulk part.

Marking code (fuel hose and general purpose hose)

Change code (Vinyl hose)

Indicates number mark or change sequence, however, the code for the bulk part must be strictly 0 (zero).

Types of code:

- Fuel hose
 - 2: Red outside braid (3 mm inside dia. only)
 - 5: Black inside braid
 - 3: Red (3 mm inside dia. only)
 - 4: Ash gray with red stripe (3 mm inside dia. only)
 - 6: Black

- General hose
 - 1: Ash gray
 - 2: Ash gray
 - 3: Black
 - 5: Black

- Vinyl hose
 - 1: Clear
 - 2: Black
 - 3: Light red
 - 6: Light red
 - 7: Pale black

Lengths:

- 001: 1 m (standard)
 - 003: 3 m
 - 008: 8 m
- Application or specification of some parts is not settled.

I.D code: (fuel hose and general purpose hose)

- | | | | | |
|------------|--------------------|--------------------|-----------------------------|-----------------------------|
| 30: 3.0 mm | 50: 5.0 mm | 70: 7.0 mm | 11: 11 mm | 12: 12 (outside dia. 17) mm |
| 35: 3.5 mm | 55: 5.3 mm, 5.5 mm | 75: 7.3 mm, 7.5 mm | 91: 12 (outside dia. 15) mm | 14: 14 mm |
| 45: 4.5 mm | 65: 6.5 mm | 80: 8.0 mm | 92: 12 (outside dia. 16) mm | 17: 17 mm |

ID./OD. code: (vinyl hose)

- | | | | | |
|-------------------------|--------------------------|---------------------------|---------------------------|---------------------------|
| 01: ID. 2.9, OD. 6.8 mm | 12: ID. 5.0, OD. 7.0 mm | 21: ID. 8.0, OD. 9.0 mm | 37: ID. 11.0, OD. 15.0 mm | 50: ID. 16.0, OD. 19.0 mm |
| 03: ID. 3.0, OD. 6.0 mm | 10: ID. 5.0, OD. 8.0 mm | 23: ID. 8.0, OD. 12.0 mm | 38: ID. 12.0, OD. 13.0 mm | 55: ID. 17.5, OD. 20.5 mm |
| 05: ID. 3.5, OD. 6.5 mm | 11: ID. 5.0, OD. 9.0 mm | 25: ID. 9.0, OD. 11.0 mm | 39: ID. 12.0, OD. 14.0 mm | 60: ID. 22.0, OD. 27.0 mm |
| 07: ID. 4.0, OD. 7.0 mm | 14: ID. 6.0, OD. 9.0 mm | 27: ID. 9.0, OD. 13.0 mm | 40: ID. 12.0, OD. 16.0 mm | |
| 08: ID. 4.5, OD. 6.5 mm | 17: ID. 7.0, OD. 9.0 mm | 33: ID. 10.0, OD. 14.0 mm | 43: ID. 13.0, OD. 15.0 mm | |
| 09: ID. 4.5, OD. 8.0 mm | 19: ID. 7.0, OD. 11.0 mm | 36: ID. 11.0, OD. 13.0 mm | 45: ID. 14.0, OD. 18.0 mm | |

Hose type:

- 1: Fuel hose
- 3: Vinyl hose
- 5: General hose

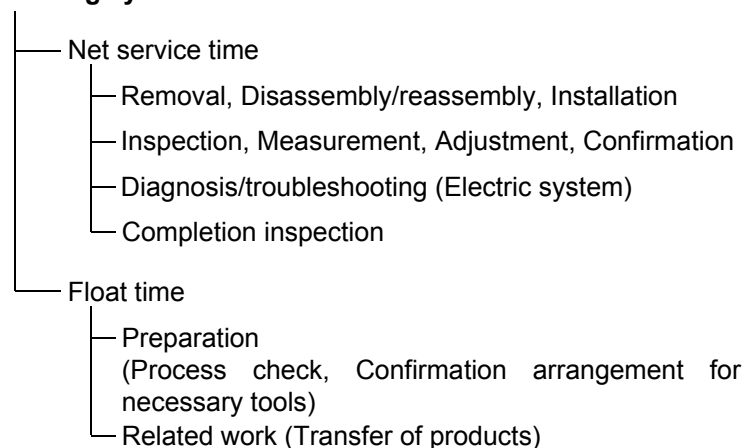
⊙ **CAUTION: It is DANGEROUS to confuse the fuel hose with the general purpose hose or vinyl hose.**

Never use a general purpose hose or vinyl hose in place of a fuel hose or vice versa. Always use the correct bulk part in the parts catalogue, according to the service manual or the instructions issued with the bulk part.

FLAT RATE SERVICE TIME

Flat rate service time (FRT) means the standard time required to service a product, which is listed in this manual to help the dealers control the actual working process and calculate the service charge by using it as a guide.

FRT setting system



* Float time is set by multiplying the net service time by a given coefficient.

Editorial style

The service items shown in the text are listed with the exchange work time for the repair sales parts as the subject. Other representative service items not using repair parts (removal/installation, adjustment, inspection/measuring, and other work) are listed collectively in the list in the preface, classified according to the work.

FRT setting standard

- Decimal system (in unit of 0.1) is adopted to set FRT as it is convenient to calculate the wage.
Example: (0.1) → 6 minutes, (0.2) → 12 minutes
[Labor cost per hour] x [FRT] = [Wage]
- FRT is set with a hand tool.
- Service items and FRT can be subject to change depending on development of tools and service equipment and improvement in service procedure.

Work procedure

- As the work procedure is set with the work time according to the method in the separate Service Manual, refer to this Manual as required.
- Work methods permitting servicing in the shortest time still permitting assurance of safe work and product warranty are used for the setting of service items not listed in the Service Manual.
- Work basically is to be performed by one person, and when two or more people are required, setting is done as the total time for the number of people.
- The set value for the technological level of the workers uses a person with three years of experience in the repair of Honda products as the standard.
- Special tools and service equipment used to set FRT are those specified or recommended in Service Manual.

Service item whose FRT is not presented

- Accessories and service parts that are not listed to use in this manual.
 - Locations with little aging deterioration or breakage during normal use.
 - Service work that can be finished by one touch.
 - Service work that is seldom done (i.e. extremely small causes of trouble and service frequency).
 - Products and parts whose location for installation differs according to its status of use and application.
- * When FRT is not presented, please calculate wages based on appropriate actual work time.

Operation not included of FRT

- Oil and coolant water draining, Waiting time for warming up operation and etc..
- Additional operation that involves removal/installation of standard exterior equipment.
- Indirect time spent for service by visiting the customer, trade-in, and delivery.
- Indirect time required for ordering and delivery of parts.
- Cost for grease, adhesive agent, etc. used for service work.

**Explanation of FRT by using an example
(The example may differ from the actual presented items)**

Ref. No.	L.O.N.	(Relative ref. Number) Description	F.R.T.
①	1111L1	④ (1, 3, 4, 7) VALVE, INTAKE4.1	②
②		• NOTE: OHV type ⑥	⑦
③	1111L1A	• Includes: Engine removal and installation ⑤ One head (intake all) add 1.4	

- ① Reference No. of the illustration of part that shows location of the replacement work.
- ② FRT is an abbreviation of Flat Rate Time indicating the standard service time required for the replacement.
- ③ LON is an abbreviation of Labor Operation Number, and it is a classification of the service items by the work unit code.

The same operation code is used regardless of the models.

Standard operation is indicated with 6 digits code, and additional operation is indicated with 7 digits code.

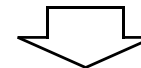
- ④ Indicating the intake valve replacement and FRT4.1.
- ⑤ Indicating FRT1.4 that will be added when additional operation (whole intake side of one cylinder head) is done in association with intake valve replacement.

- ⑥ Indicating work condition or application condition of the service item.
- ⑦ Indicating work contents that are included in the service item.
- ⑧ Indicating a reference No. whose operation and time are the same as FRT4.1 for the intake valve.

(The application range is limited to the service items without an LON setting within a same block.)

**How to refer to the service item by using the sample
(intake valve replacement)**

Open to the page of the block where the intake valve's spare part illustration is shown.



Look for the intake valve illustration, and refer to the service item and FRT that agree with the reference No.

Indication mark for the listing of service items that continues to the following page

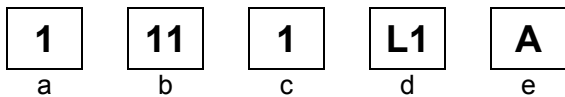
Ref. No.	L.O.N.	(Relative ref. Number) Description	F.R.T.
2	1111L1	VALVE, INTAKE	4.1
	.	.	.
	.	.	.

+
Mark indicated at the last line.

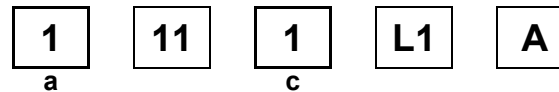
Indication of the block with no setting of FRT

Ref. No.	L.O.N.	(Relative ref. Number) Description	F.R.T.
NO INFORMATION			

• LON code system



- a) Category code..... Engine
- b) Location/function code Engine upper
- c) Operation code..... Replace
- d) Operation sequence number (Unit code can be shown with alphabet)
..... Intake valve
(No regular rule of code)
- e) Additional code One head (intake all)
(No regular rule of code)



a) Category codes and classification

Code	Category
1	Engine
2	Power drive
3	Fuel & Exhaust
4	Frame & Body
5	Steering
6	Electrical
7	Axle & Brake
8	Control system
9	-
0	Attachments

c) Operation codes and classification

Code	Operation category
1	Replace, Removal/Installation, Change
2	Overhaul
3	Adjust, Rotation
4	(Paint-related work: Top-coat)
5	Test, Inspect/diagnose, Measurement
6	(Overhaul-related work: Rebore)
7	(Overhaul-related work: Reseal)
8	(Resurface)
9	(Paint-related work: Refinish)
0	Repair, Cleaning, Air bleeding

Major service items without using spare parts

(1) Removal/Installation, (2) Adjustment,
(3) Inspection/Measurement, (4) Overhaul, (5) Other work

E: Engine, T: Transmission, D: Drive system,
B: Body and related parts

(2) Adjustment

	LON	DESCRIPTION	FRT
E	1113A1	VALVE CLEARANCE-ADJUSTMENT NOTE: For 1 product	0.8
	1163A0	CONTROL, THROTTLE/GOVERNOR-ADJUSTMENT	0.3
	3113A2	CARBURETOR IDLE-ADJUSTMENT	0.3

(3) Inspection, Measurement, Cleaning

	LON	DESCRIPTION	FRT
E	1105A0	ENGINE OIL-INSPECTION	0.1
	3120A0	AIR CLEANER-CLEANING INCLUDES: Air cleaner-inspection	0.2
	3130A0	SPARK ARRESTER-CLEANING INCLUDES: Spark arrester-inspection	0.2
	6140A0	SPARK PLUG-ADJUSTMENT/CLEANING INCLUDES: Spark plug check NOTE: For 1 product	0.2

(4) Overhaul

Work condition: The required Measurements, inspections, adjustments, and cleaning/washing of each part are performed, including the main body removal/installation work and the replacement of defective parts.

	LON	DESCRIPTION	FRT
E	3112A0	CARBURETOR-OVERHAUL INCLUDES: All necessary adjustment	0.7

(5) Other work

	LON	DESCRIPTION	FRT
E	1101E1	ENGINE OIL-CHANGE INCLUDES: Engine oil-inspection	0.1

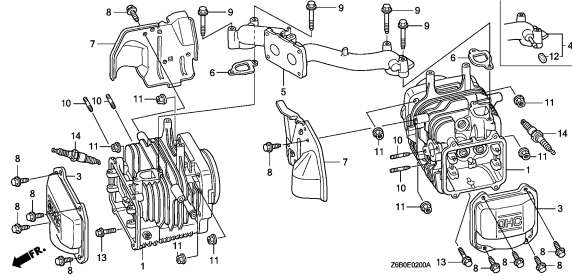
ENGINE GROUP

B16

E-2

CYLINDER

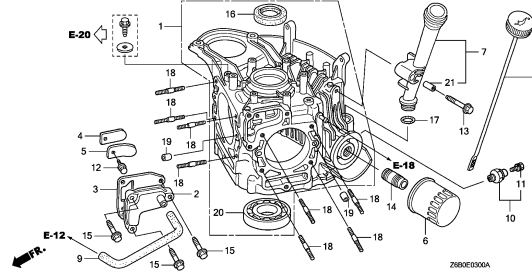
D 1



E-3

CRANKCASE

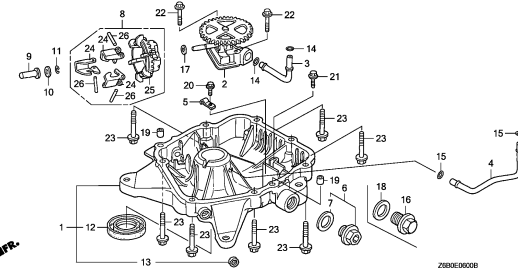
D 3



E-6

OIL PAN

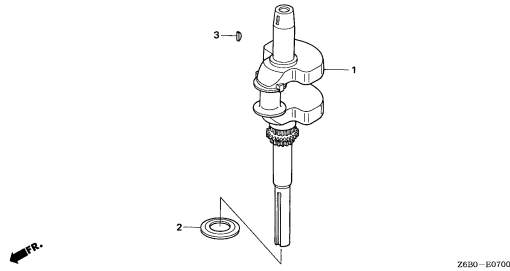
D 5



E-7

CRANKSHAFT

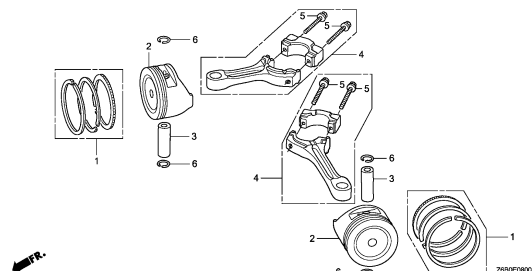
D 7



E-8

PISTON/CONNECTING ROD

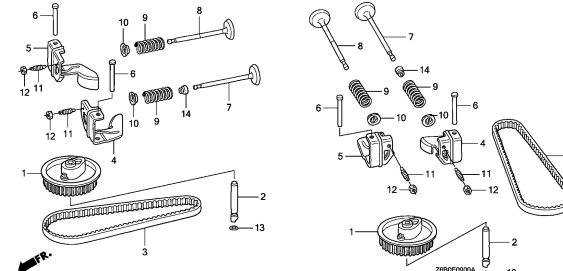
D 8



E-9

CAMSHAFT

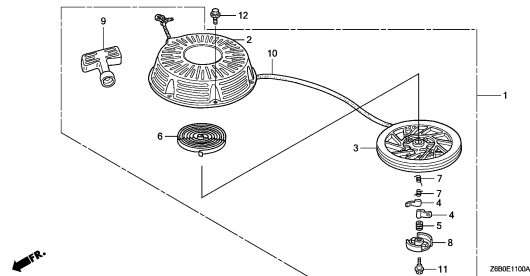
D 9



E-11

RECOIL STARTER

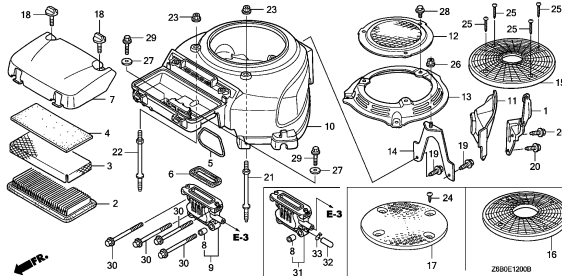
D13



E-12

FAN COVER

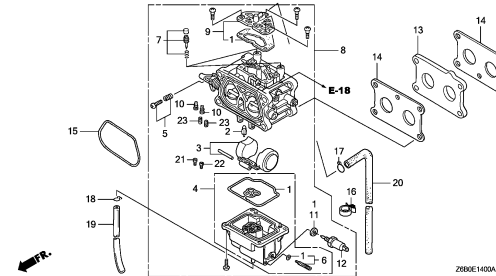
D14



E-14

CARBURETOR

D16



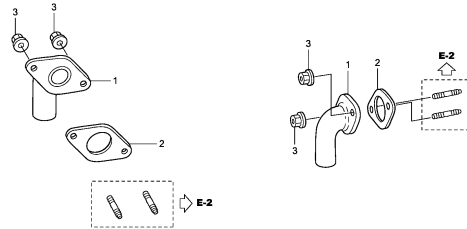
ENGINE GROUP

C 1

E-16

EXHAUST PIPE

E 2

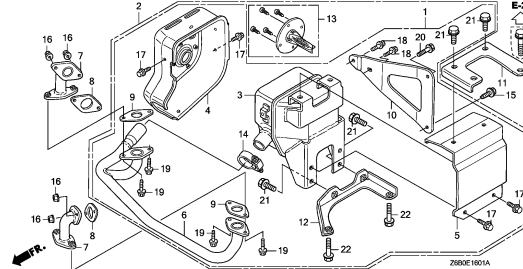


Z680E1600A

E-16-1

MUFFLER

E 3

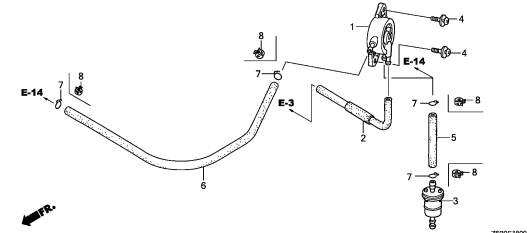


Z680E1601A

E-18

FUEL PUMP

E 4

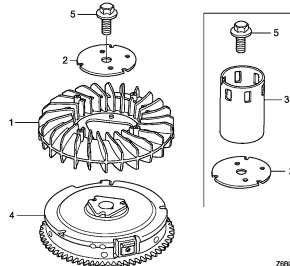


Z680E1800B

E-19

FLYWHEEL

E 5

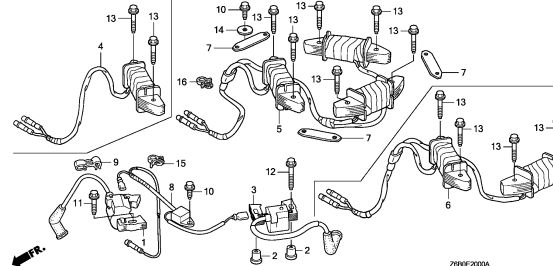


Z680E1900A

E-20

IGNITION COIL

E 6

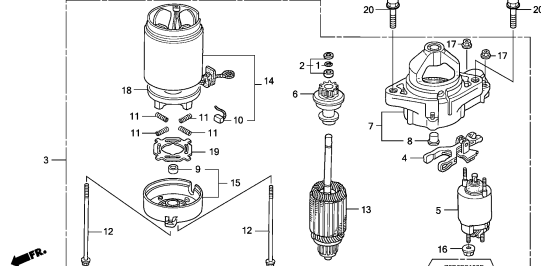


Z680E2000A

E-21

STARTER MOTOR

E 7

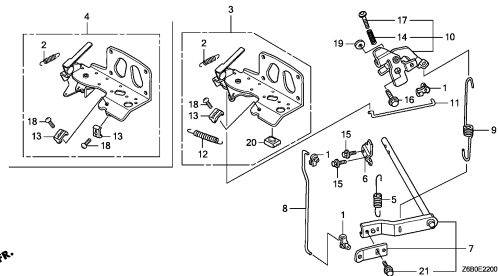


Z680E2100B

E-22

CONTROL

E 9

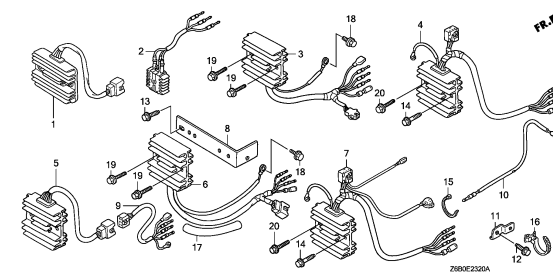


Z680E2200B

E-23-20

REGULATOR RECTIFIER/SUB WIRE HARNESS

E11

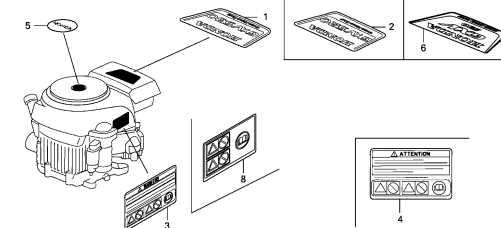


Z680E2300A

E-28

LABEL

E13



Z680E2800B

2

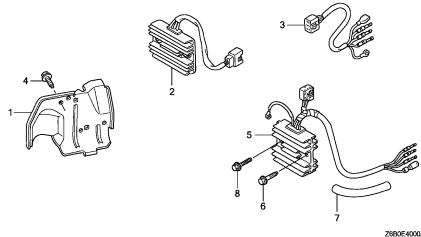
ENGINE GROUP

C 2

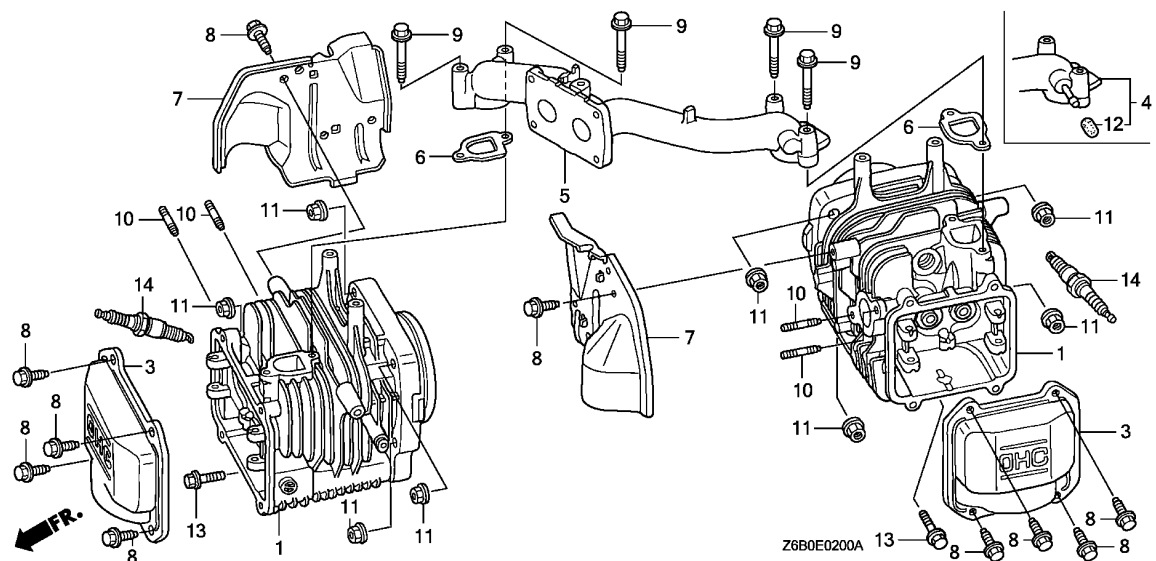
E-40

E14

SUB WIRE HARNESS/SHROUD



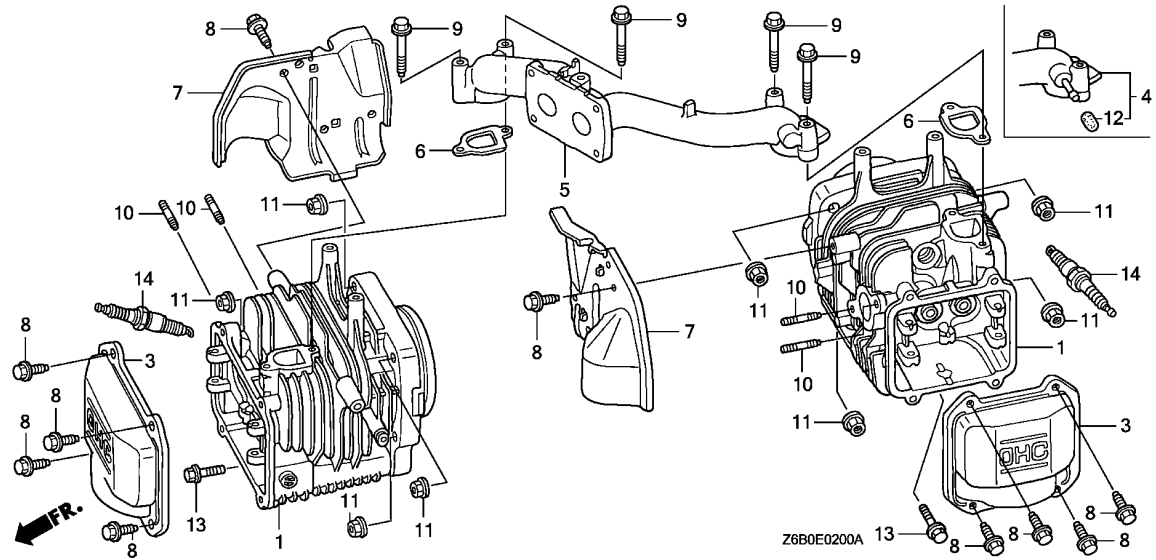
2



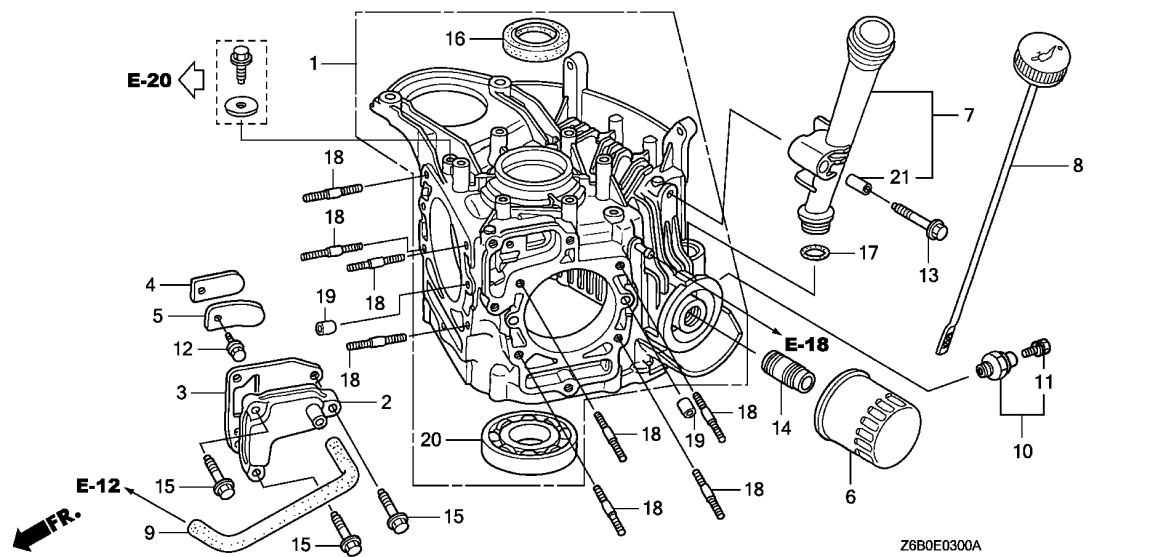
Ref. No.	L.O.N.	(Relative ref. Number) Description	F.R.T.
1	1111F2	HEAD, CYLINDER :LEFT BANKINCLUDES: Valve clearance adjustment and reface	1.5
	1111F3	HEAD, CYLINDER :RIGHT BANKINCLUDES: Valve clearance adjustment and reface	1.5
	1111L4	HEAD, CYLINDER :BOTH BANKSINCLUDES: Valve clearance adjustment and reface	2.0
3	1111D3	COVER, CYLINDER HEAD AND/OR PACKING, HEAD COVER :LEFT ...	0.1
	1111D4	COVER, CYLINDER HEAD AND/OR PACKING, HEAD COVER :RIGHT ..	0.1
	1111L5	COVER, CYLINDER HEAD AND/OR PACKING, HEAD COVER :BOTH ... (4)	0.2
5	3111C4	MANIFOLD, INTAKE	0.6
6	3111M6	PACKING, INTAKE MANIFOLD :LEFT .NOTE: Same time for two units	0.6
	3111M7	PACKING, INTAKE MANIFOLD :RIGHT	0.6
		.NOTE: Same time for two units	
7	4141D9	SHROUD, ENGINE :LEFT	0.1
	4141E1	SHROUD, ENGINE :RIGHT	0.1
+14	6141E6	PLUG, SPARK :LEFT BANK	0.1

Ref. No.	Part No.	Description	Reqd. QTY			Serial No.	Parts catalogue code
			GXV 520	GXV 530	GXV 530 R		
1	12100-Z0A-406	CYLINDER COMP.	2	2	2		
3	12311-Z0A-000	COVER, HEAD	2	2	2		
4	17100-Z0A-000	MANIFOLD ASSY., INTAKE	-	1	1	-----	DXA2,SXE2
5	17101-Z0A-000	MANIFOLD, INTAKE	1	-	-		
			-	1	1	-----	DXA1,EEA1,EXA1,EXA2,JXA3,PXA1,QEA3,QRA4,QRA5,QXA4,QXA5,QXU3,QXU4,SXE3,UXE3
6	17151-Z0A-000	PACKING, INTAKE MANIFOLD	2	2	2		
7	19631-Z0A-000	SHROUD	2	-	-		
			-	2	2	-----	DXA1,DXA2,EXA1,EXA2,JXA3,QEA3,QRA4,QRA5,QXA4,QXA5,QXU3,QXU4,SXE3,UXE3
8	90013-883-000	BOLT, FLANGE, 6X12(CT200) ...	10	-	-		
			-	8	8	-----	EEA1,PXA1
			-	10	10	-----	DXA1,DXA2,EXA1,EXA2,JXA3,QEA3,QRA4,QRA5,QXA4,QXA5,QXU3,QXU4,SXE2,SXE3,UXE3
9	90016-ZE8-000	BOLT, FLANGE, 6X45(CT200) ...	4	4	4		
10	90045-892-000	BOLT, STUD, 6X28(CT200)	4	4	4		
11	90201-Z0A-000	NUT, FLANGE, 8MM	8	8	8		
12	90634-ZL8-H00	CAP, SEALING	-	1	1	-----	DXA2,SXE2
13	95701-06030-00	BOLT, FLANGE, 6X30	2	2	2		
14	98079-54846	PLUG, SPARK (BPR4ES)(NGK) ...	(2)	(2)	(2)		
	98079-54855	PLUG, SPARK (W14EPR-U)(DENSO)	(2)	(2)	(2)		
	98079-55846	PLUG, SPARK (BPR5ES)(NGK) ...	2	2	2		
	98079-55855	PLUG, SPARK (W16EPR-U)(DENSO)	2	2	2		





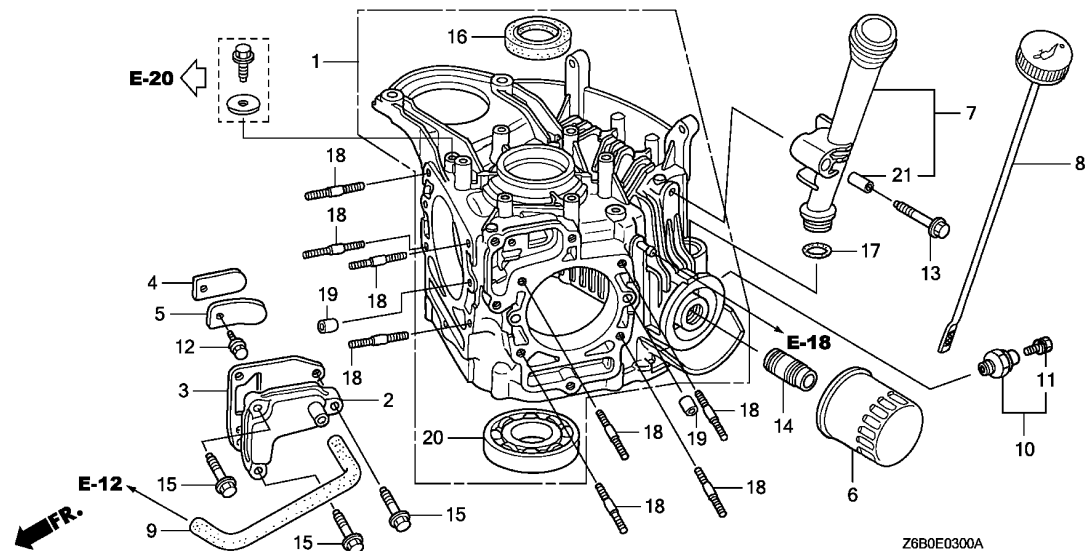
Ref. No.	L.O.N.	(Relative ref. Number) Description	F.R.T.
+14		.INCLUDES: Spark plug check	
6141E7		PLUG, SPARK :RIGHT BANK	0.1
6141E8		.INCLUDES: Spark plug check	
		PLUG, SPARK :BOTH BANKS	0.2
		.INCLUDES: All spark plug check	



Ref. No.	L.O.N.	(Relative ref. Number) Description	F.R.T.
1	1101B7	CRANKCASE (3,4,5,12)	3.2
2	1111D1	COVER, BREATHER AND/OR PACKING, BREATHER COVER	0.7
6	110175	CARTRIDGE, OIL FILTER .EXCLUDES: Engine oil-change (17)	0.1
7	1101B9	EXTENSION, OIL FILLER AND/OR PACKING, OIL FILLER EXTENSION	0.2
9	1111K5	TUBE, BREATHER	0.3
16	1101E6	OIL SEAL, CRANKSHAFT :UPPER	2.0
20	1101J6	BEARING, CRANKSHAFT :UPPER	2.1

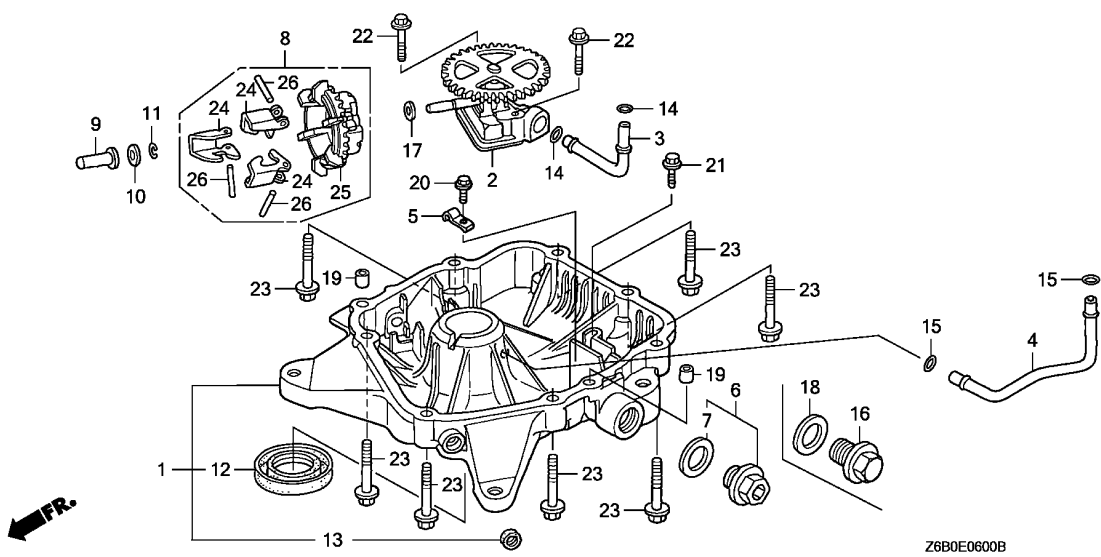
Ref. No.	Part No.	Description	Reqd. QTY			Serial No.	Parts catalogue code
			GXV 520 U	GXV 530 U	GXV 530 R		
1	11100-ZOA-409	CRANKCASE ASSY.	-	1	1	----- DXA1,DXA2,EEA1,EXA2,PXA1,SXE2	
	11100-ZOA-416	-	1	1	----- QRA4,QRA5,QXA4,QXA5	
	11100-ZOA-417	-	1	1	----- EXA1,JXA3,QEA3,QXU3,QXU4,SXE3,UXE3	
2	12356-ZOA-000	COVER, BREATHER	-	1	1		
3	12358-ZOA-000	PACKING, BREATHER COVER	-	1	1		
4	12372-ZAO-701	PLATE, VALVE	-	1	1		
5	12374-ZOA-000	STOPPER, VALVE	-	1	1		
6	15400-PFB-004	CARTRIDGE, OIL FILTER (TOYO ROKI)	1	-	-		
	15410-MCJ-000	-	1	-	1001030 EXA1,JXA3,QEA3,QRA4,QRA5,QXA4,QXA5,QXU3,QXU4,SXE3,UXE3	
	15400-PFB-014	-	1	-	1006029 DXA1,DXA2,EEA1,EXA2,PXA1,SXE2	
	15400-PLM-A01	CARTRIDGE, OIL FILTER (FILTECH TOYO ROKI)	(1)	-	-	1001031 EXA1,JXA3,QEA3,QRA4,QRA5,QXA4,QXA5,QXU3,QXU4,SXE3,UXE3	
	15400-PLM-A02	CARTRIDGE, OIL FILTER (HONEYWELL)	-	(1)	(1)	----- JXA3,QEA3,QRA4,QRA5,QXA4,QXA5	
	15410-MFJ-D01	CARTRIDGE, OIL FILTER (TOYO ROKI)	-	(1)	(1)	----- JXA3,QEA3,QRA4,QRA5,QXA4,QXA5	
	15631-ZOA-000	EXTENSION, OIL FILLER	-	1	-	1006030 DXA1,DXA2,EEA1,EXA2,PXA1,SXE2	
7	15631-ZOA-000	EXTENSION, OIL FILLER	1	1	1	----- DXA1,DXA2,EEA1,PXA1,SXE2	
8	15655-ZOA-000	GAUGE COMP., OIL LEVEL	-	1	-		
	15655-ZOA-800	-	1	1	----- EXA1,JXA3,QEA3,QRA4,QRA5,QXA4,QXA5,QXU3,QXU4,SXE3,UXE3	
	15721-ZOA-000	TUBE, BREATHER	-	1	1	----- DXA1,DXA2,EEA1,EXA2,PXA1,SXE2	
9	15721-ZOA-000	TUBE, BREATHER	1	1	1		
10	35490-ZOA-003	SWITCH ASSY., OIL PRESSURE	-	1	1	----- DXA1,DXA2,EEA1,EXA2,PXA1,SXE2	





Z6B0E0300A

Ref. No.	Part No.	Description	Reqd. QTY			Serial No.	Parts catalogue code
			GXV 520	GXV 530	GXV 530 R		
11	90002-PA6-003	BOLT-WASHER, 4X8(DENSO)	-	1	1	-----	DXA1,DXA2,EEA1,EXA2,PXA1,SXE2
12	90002-892-000	BOLT, FLANGE, 5X10	1	1	1		
13	90016-ZE8-000	BOLT, FLANGE, 6X45(CT200) ...	1	1	1		
14	90018-PN3-000	HOLDER, OIL FILTER	1	1	1		
15	90121-952-000	BOLT, FLANGE, 6X25(CT200) ...	3	3	3		
16	91201-ZE3-004	OIL SEAL, 35X52X8	1	1	1		
17	91301-ZE9-003	O-RING, 22.1X2.2	1	1	1		
18	92900-08028-0E	BOLT, STUD, 8X28	8	8	8		
19	94301-08140	DOWEL PIN, 8X14	4	4	4		
20	96100-62070-00	BEARING, RADIAL BALL, 6207 ..	1	1	1		
21	15633-Z0A-300	COLLAR, EXTENSION	1	1	1		

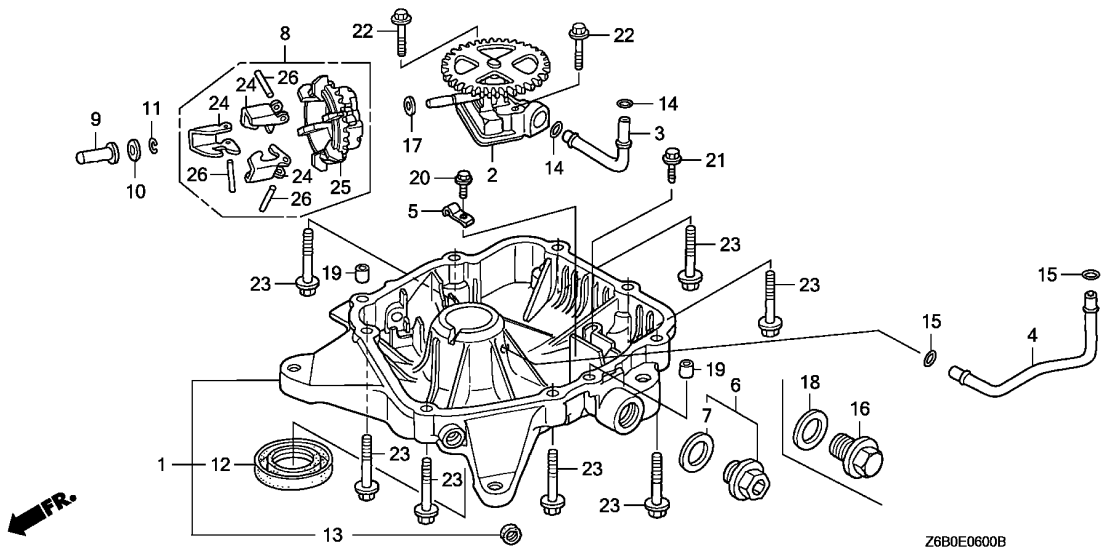


Ref. No.	L.O.N.	(Relative ref. Number) Description	F.R.T.
1	1131C1	PAN, OIL	0.7
2	1131D0	PUMP, OIL AND/OR SHAFT, GOVERNOR	0.7
3		(14)	
1131C7		PIPE, OIL PUMP	0.6
4		(15)	
1131C8		PIPE, OIL SUPPLY	0.6
7		(18)	
1101D5		WASHER, DRAIN PLUG	0.1
8	1161C4	GOVERNOR ASSEMBLY	0.7
12	1101E7	OIL SEAL, CRANKSHAFT :LOWER ..	0.4
13	1101C4	OIL SEAL, GOVERNOR ARM SHAFT ..	0.5
25		(24,26)	
1161A7		HOLDER, GOVERNOR WEIGHT	0.8

Z6B0E0600B

Ref. No.	Part No.	Description	Reqd. QTY			Serial No.	Parts catalogue code
			GXV 520	GXV 530	GXV 530 R		
1	11300-Z0A-010	PAN ASSY., OIL	1	1	1	JXA3,QEA3,QXU4	
	11300-Z0A-801	-	1	1	DXA1,DXA2	
	11300-Z0A-811	-	1	1	EXA1,QXU3,SXE3,UXE3	
	11300-Z0A-820	1	1	1	QRA4,QXA4	
	11300-Z0A-830	1	1	1	EEA1,EXA2,PXA1,QRA5,QXA5,SXE2	
2	15100-Z0A-801	PUMP ASSY., OIL	1	1	1	EXA1,JXA3,QEA3,QXU3,QXU4,SXE3,UXE3	
	15100-Z0A-811	1	1	1	DXA1,DXA2,EEA1,EXA2,PXA1,QRA4,QRA5,QXA4,QXA5,SXE2	
3	15161-Z0A-000	PIPE, OIL PUMP	1	1	1		
4	15162-Z0A-800	PIPE, OIL SUPPLY	1	1	1	DXA1,DXA2,EEA1,EXA2,PXA1,QRA4,QRA5,QXA4,QXA5,SXE2	
5	15163-Z0A-000	HOLDER, OIL PIPE	1	1	1	DXA1,DXA2,EEA1,EXA2,PXA1,QRA4,QRA5,QXA4,QXA5,SXE2	
6	15550-Z0A-800	CAP ASSY., DRAIN	-	1	1	DXA1,DXA2	
	15550-Z0A-810	1	1	1	EEA1,EXA1,EXA2,PXA1,QRA5,QXA5,QXU3,SXE2,SXE3,UXE3	
7	15625-ZE1-003	PACKING, OIL FILLER CAP	1	1	1	DXA1,DXA2,EEA1,EXA1,EXA2,PXA1,QRA5,QXA5,QXU3,SXE2,SXE3,UXE3	
8	16510-Z0A-000	GOVERNOR ASSY.	1	1	1		
9	16531-Z0A-000	SLIDER, GOVERNOR	1	1	1		
10	90473-147-000	WASHER, 6X16	1	1	1		
11	90602-ZE1-000	CLIP, GOVERNOR HOLDER	1	1	1		
12	91202-Z0A-003	OIL SEAL, 31X50X8	1	1	1		
13	91206-333-003	OIL SEAL, 10X16X4.5	1	1	1		
14	91301-Z0A-003	O-RING, 7.5X2.3	2	2	2		
15	91302-Z0A-003	O-RING, 5.8X2	2	2	2	DXA1,DXA2,EEA1,EXA2,PXA1,QRA4,QRA5,QXA4,QXA5,SXE2	
16	92800-20000	BOLT, DRAIN PLUG, 20MM	1	1	1	JXA3,QEA3,QRA4,QXA4,QXU4	
17	94101-06800	WASHER, PLAIN, 6MM	1	1	1		
18	94109-20000	WASHER, DRAIN PLUG, 20MM	1	1	1	JXA3,QEA3,QRA4,QXA4,QXU4	
19	94301-08140	DOWEL PIN, 8X14	2	2	2		
20	95701-06012-00	BOLT, FLANGE, 6X12	1	1	1	DXA1,DXA2,EEA1,EXA2,PXA1,QRA4,QRA5,QXA4,QXA5,SXE2	



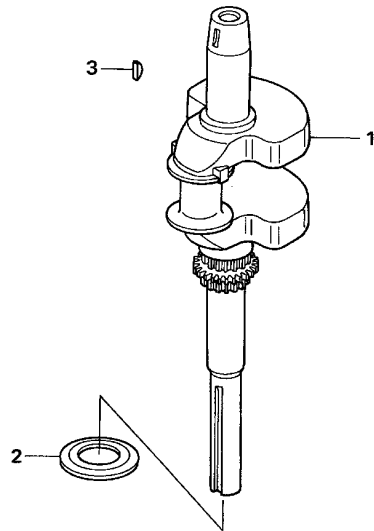


Ref. No.	Part No.	Description	Reqd. QTY			Serial No.	Parts catalogue code
			GXV 520	GXV 530	GXV 530 R		
21	95701-06022-00	BOLT, FLANGE, 6X22	1	1	1	-----	EXA1,JXA3,QEA3,QXU3,QXU4,SXE3,UXE3
22	95701-06030-00	BOLT, FLANGE, 6X30	2	2	2	-----	EXA1,JXA3,QEA3,QXU3,QXU4,SXE3,UXE3
	95701-06035-00	BOLT, FLANGE, 6X35	2	2	2	-----	DXA1,DXA2,EEA1,EXA2,PXA1,QRA4,QRA5,QXA4,QXA5,SXE2
23	95701-08040-00	BOLT, FLANGE, 8X40	7	7	7		
24	16511-Z0A-000	WEIGHT, GOVERNOR	3	3	3		
25	16512-Z0A-000	HOLDER, GOVERNOR WEIGHT	1	1	1		
26	16513-ZE2-000	PIN, GOVERNOR WEIGHT	3	3	3		

E-7

CRANKSHAFT

D 7

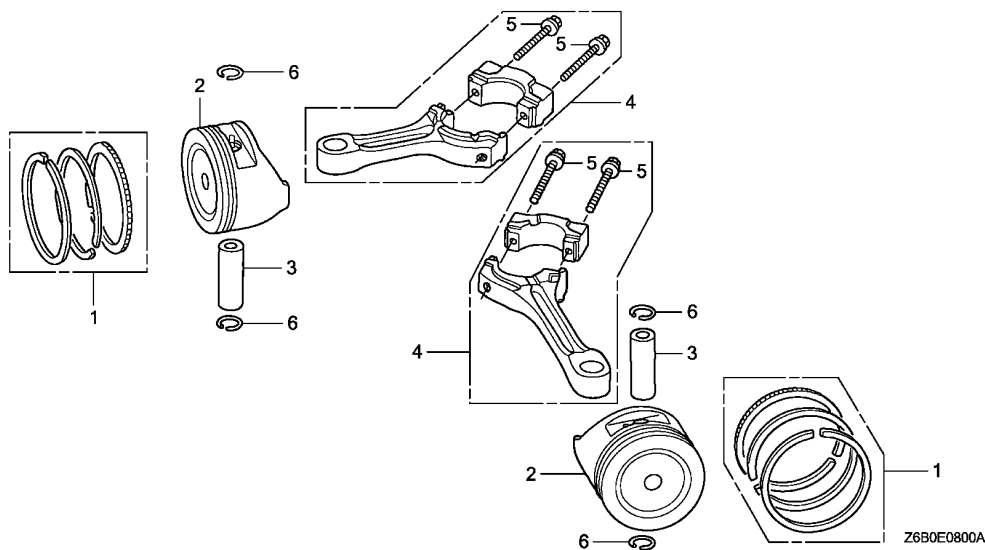


Z6B0-E0700

Ref. No.	L.O.N.	(Relative ref. Number) Description	F.R.T.
1	1101F0	CRANKSHAFT	1.9

Ref. No.	Part No.	Description	Reqd. QTY			Serial No.	Parts catalogue code
			GXV 520	GXV 530	GXV 530 R		
1	13310-Z0A-000	CRANKSHAFT COMP.	1	1	1	-----	EXA1,JXA3,QEA3,QXU3,QXU4,SXE3,UXE3
	13310-Z0A-800	1	1	1	-----	DXA1,DXA2,EEA1,EXA2,PXA1,QRA4,QRA5,QXA4,QXA5,SXE2
2	90401-Z0A-000	WASHER, THRUST	1	1	1		
3	90741-ZE2-000	KEY, SPECIAL WOODRUFF, 25X18	1	1	1		

2



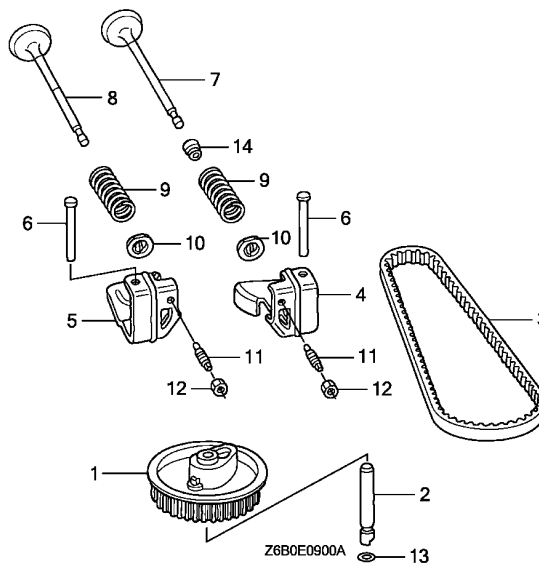
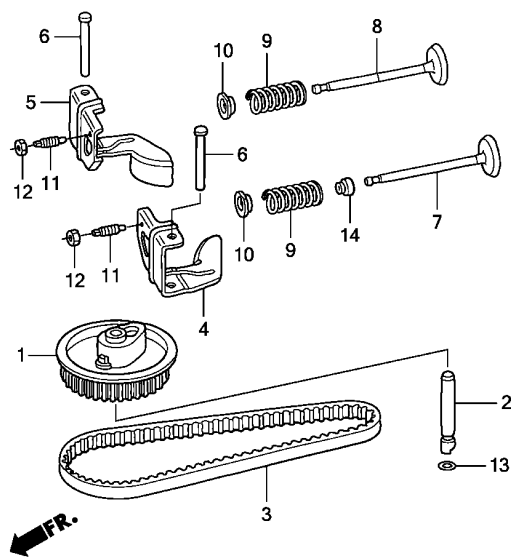
Ref. No.	L.O.N.	(Relative ref. Number) Description	F.R.T.
2		(1,3,4)	
1111R2		PISTON AND/OR RING SET AND/OR BEARING AND/OR ROD (1 CYLINDER) :LEFT BANKINCLUDES: Inspection/Measurement/Cleaning	2.3
1111R3		PISTON AND/OR RING SET AND/OR BEARING AND/OR ROD (1 CYLINDER) :RIGHT BANKINCLUDES: Inspection/Measurement/Cleaning	2.3
1111R4		PISTON AND/OR RING SET AND/OR BEARING AND/OR ROD (ALL CYLINDERS) :BOTH BANKS . .INCLUDES: Inspection/Measurement/Cleaning	2.8

Ref. No.	Part No.	Description	Reqd. QTY			Serial No.	Parts catalogue code	
			GXV 520 U	GXV 530 U	GXV 530 R			
1	13010-Z0A-003	RING SET, PISTON (STD.) (NIPPON)	2	-	-			
			-	2	-	-----	EXA2	
			-	2	-	1068194	DXA1,DXA2,EEA1,EXA1,JXA3,PXA1,QEA3,QRA4,QRA5,QXA4,QXA5,QXU3,QXU4,SXE2,SXE3,UXE3	
	13010-Z0A-014	RING SET, PISTON (STD.) (TEIKOKU)	2	-	-			
			-	2	-	-----	EXA2	
			-	2	-	1068194	DXA1,DXA2,EEA1,EXA1,JXA3,PXA1,QEA3,QRA4,QRA5,QXA4,QXA5,QXU3,QXU4,SXE2,SXE3,UXE3	
	13010-Z5Z-004	-	2	-	1068195	-----	DXA1,DXA2,EEA1,EXA1,JXA3,PXA1,QEA3,QRA4,QRA5,QXA4,QXA5,QXU3,QXU4,SXE2,SXE3,UXE3
2	13101-Z0A-800	PISTON (STD.)	-	-	2			
			2	-	-			
			-	2	-	-----	EXA2	
			-	2	-	1068194	DXA1,DXA2,EEA1,EXA1,JXA3,PXA1,QEA3,QRA4,QRA5,QXA4,QXA5,QXU3,QXU4,SXE2,SXE3,UXE3	
	13101-Z0A-801	-	2	-	1068195	-----	DXA1,DXA2,EEA1,EXA1,JXA3,PXA1,QEA3,QRA4,QRA5,QXA4,QXA5,QXU3,QXU4,SXE2,SXE3,UXE3
3	13111-ZJ1-840	PIN, PISTON	-	-	2			
4	13200-Z0A-003	ROD ASSY., CONNECTING	2	2	2	-----	EXA1,JXA3,QEA3,QXU3,QXU4,SXE3,UXE3	
	13200-Z0A-801	2	2	2	-----	DXA1,DXA2,EEA1,EXA2,PXA1,QRA4,QRA5,QXA4,QXA5,SXE2	
5	90001-ZN1-000	BOLT, CONNECTING ROD, 6X37 ..	4	4	4			
6	90551-ZE1-000	CLIP, PISTON PIN, 18MM	4	4	4			

E-9

CAMSHAFT

D 9



Ref. No.	L.O.N.	(Relative ref. Number) Description	F.R.T.
1		(2,13)	
		1111S7 PULLEY, CAMSHAFT :LEFT BANK ..	0.4
		1111S7B .Replace right bank side add ..	0.3
		1111S8 PULLEY, CAMSHAFT :RIGHT BANK ..	0.4
		1111S8B .Replace left bank side add ..	0.3
3		1111S9 BELT, TIMING :LEFT BANK	0.6
		1111S9A .Replace right bank side add ..	0.4
		1111T0 BELT, TIMING :RIGHT BANK	0.6
		1111T0A .Replace left bank side add ..	0.4
4		1111T1 ARM, ROCKER :LEFT BANK INTAKE ..	0.4
		.INCLUDES: Valve clearance adjustment	
		1111T1A .Replace left bank exhaust rocker arm add	0.1
		1111T1B .Replace both heads (intake and exhaust all) add ..	0.3
		1111T2 ARM, ROCKER :RIGHT BANK INTAKE ..	0.4
		.INCLUDES: Valve clearance adjustment	
		1111T2A .Replace right bank exhaust rocker arm add	0.1
		1111T2B .Replace both heads (intake and exhaust all) add ..	0.3
+ 5		1111U3 ARM, ROCKER :LEFT BANK EXHAUST ..	0.4

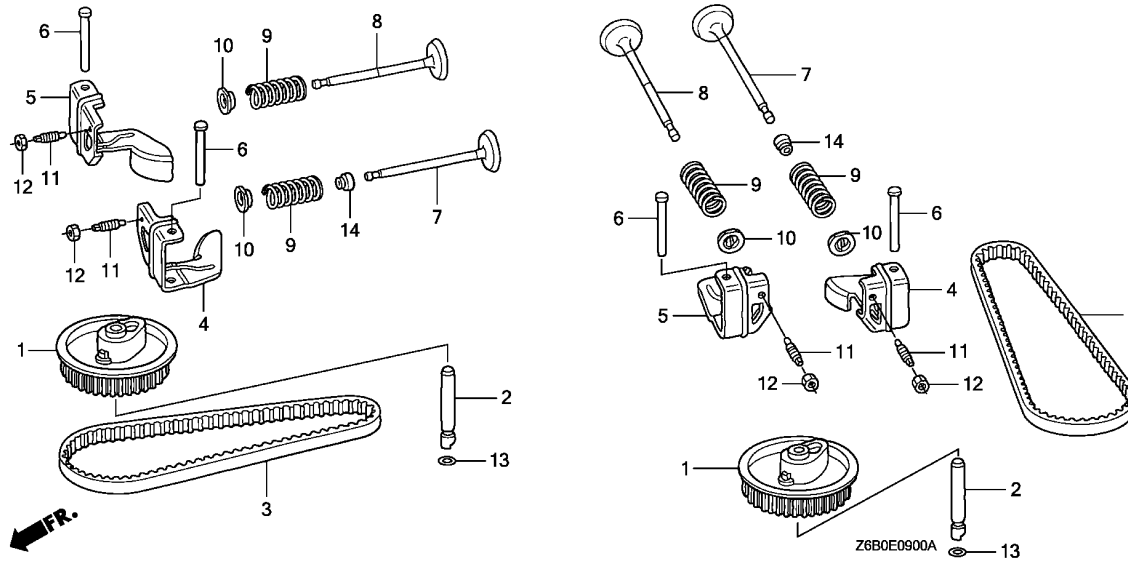
Ref. No.	Part No.	Description	Reqd. QTY			Serial No.	Parts catalogue code
			GXV 520 U	GXV 530 U	GXV 530 R		
1	14320-Z0A-000	PULLEY COMP., CAMSHAFT	2	2	2		
2	14324-ZL8-000	SHAFT, CAM PULLEY	2	2	2		
3	14400-Z0A-003	BELT, TIMING (97HU8 G-200) ..	2	2	2		
4	14431-Z0A-000	ARM, IN. VALVE ROCKER	2	2	2		
5	14441-Z0A-000	ARM, EX. VALVE ROCKER	2	2	2		
6	14461-Z0A-000	SHAFT, ROCKER ARM	4	4	4		
7	14711-Z0A-000	VALVE, IN.	2	2	2		
8	14721-Z0A-000	VALVE, EX.	2	2	2		
9	14751-ZE1-000	SPRING, VALVE	4	4	4		
10	14771-ZE1-000	RETAINER, IN. VALVE SPRING ..	4	4	4		
11	90012-333-000	SCREW, TAPPET ADJUSTING	4	4	4		
12	90206-001-000	NUT, TAPPET ADJUSTING	4	4	4		
13	91301-ZM0-V31	O-RING, 6.8X1.9(ARAI)	2	2	2		
14	12209-422-005	SEAL, VALVE STEM	2	2	2		

2

E-9

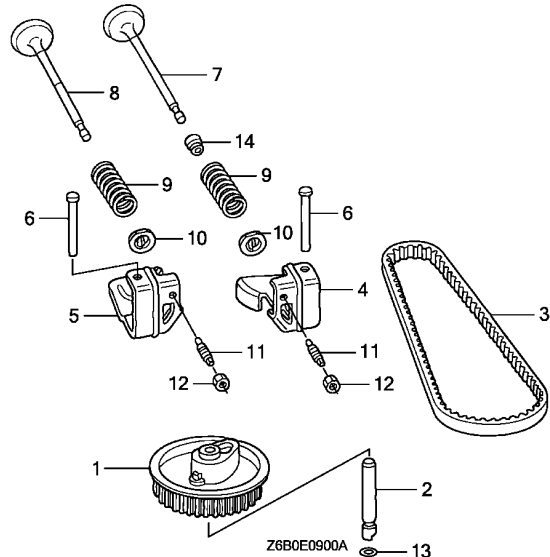
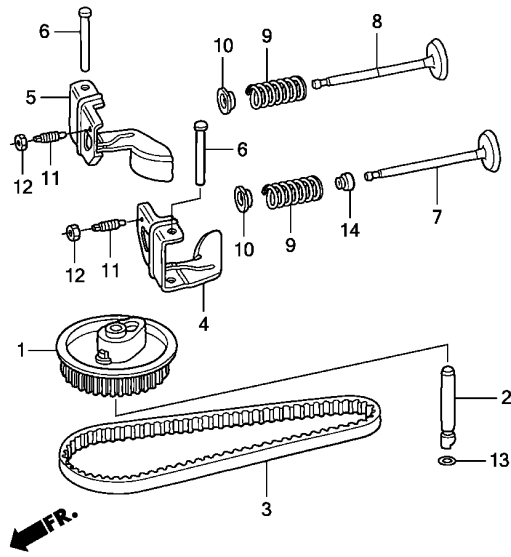
CAMSHAFT

D10

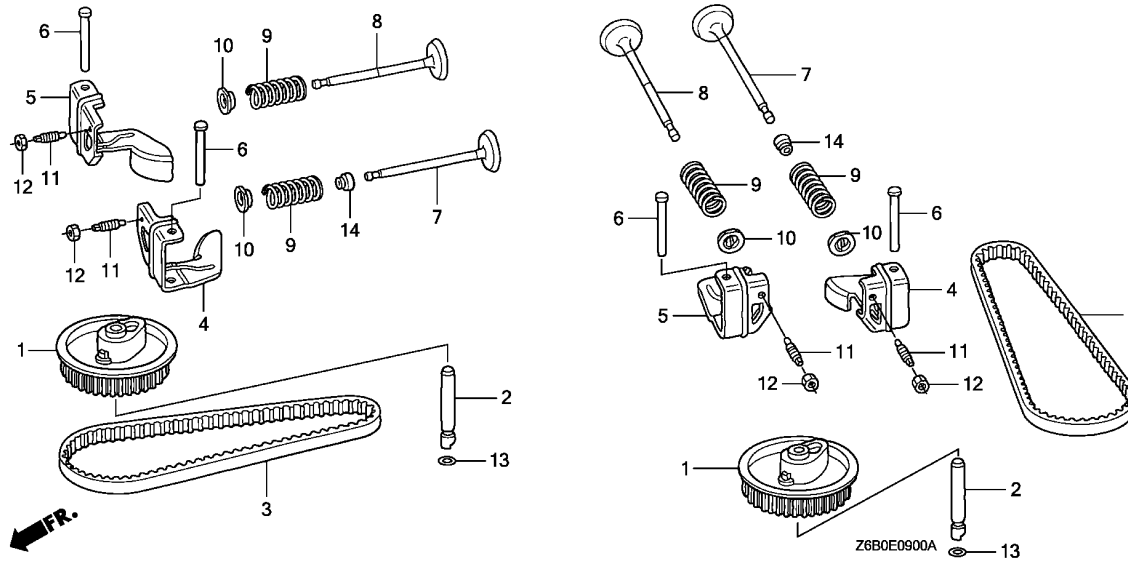


Ref. No.	L.O.N.	(Relative ref. Number) Description	F.R.T.
+ 5		.INCLUDES: Valve clearance adjustment	
1111U3A		.Replace left bank intake rocker arm add	0.1
1111U3B		.Replace both heads (intake and exhaust all) add	0.3
1111U4		ARM, ROCKER :RIGHT BANK EXHAUST	0.4
		.INCLUDES: Valve clearance adjustment	
1111U4A		.Replace right bank intake rocker arm add	0.1
1111U4B		.Replace both heads (intake and exhaust all) add	0.3
7 1111T9		VALVE, INTAKE(ONE) :LEFT BANK .INCLUDES: Valve clearance adjustment and reface	1.5
1111T9B		.Replace one head(intake and exhaust all) add	0.1
1111U1		VALVE, INTAKE(ONE) :RIGHT BANK .INCLUDES: Valve clearance adjustment and reface	1.5
1111U1B		.Replace one head(intake and exhaust all) add	0.1
+ 8	1111U0	VALVE, EXHAUST(ONE) :LEFT BANK	1.5

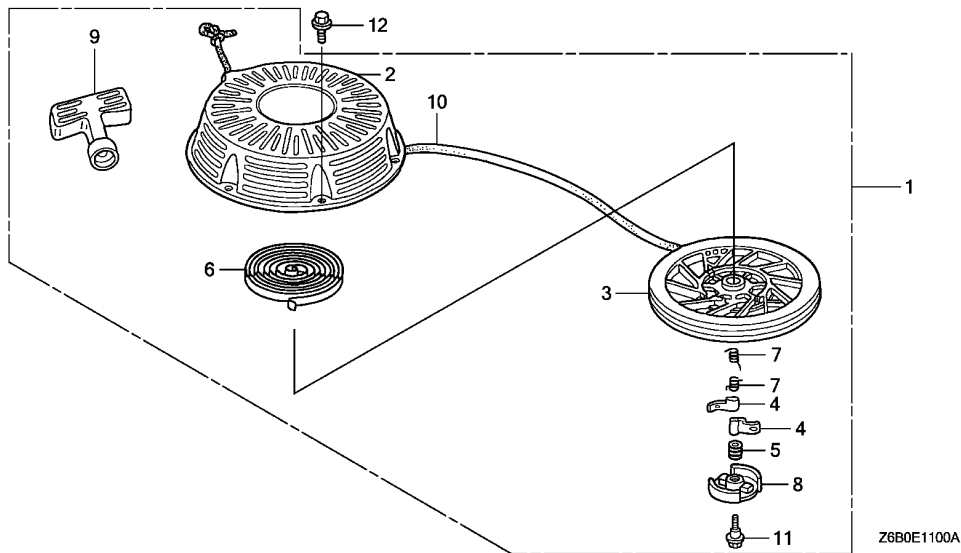
2



Ref. No.	L.O.N.	(Relative ref. Number) Description	F.R.T.
+ 8		.INCLUDES: Valve clearance adjustment and reface	
1111U0B		.Replace one head(intake and exhaust all) add	0.1
1111U2		VALVE, EXHAUST(ONE) :RIGHT BANK	1.5
		.INCLUDES: Valve clearance adjustment and reface	
1111U2B		.Replace one head(intake and exhaust all) add	0.1
9 1111V9		SPRING, VALVE(ONE) :INTAKE LEFT BANK	1.4
		.INCLUDES: Valve clearance adjustment	
1111V9A		.Replace one head(intake and exhaust all) add	0.1
1111W0		SPRING, VALVE(ONE) :INTAKE RIGHT BANK	1.4
		.INCLUDES: Valve clearance adjustment	
1111W0A		.Replace one head(intake and exhaust all) add	0.1
1111W1		SPRING, VALVE(ONE) :EXHAUST LEFT BANK	1.4



Ref. No.	L.O.N.	(Relative ref. Number) Description	F.R.T.
+ 9		.INCLUDES: Valve clearance adjustment	
1111W1A		.Replace one head(intake and exhaust all) add	0.1
1111W2		SPRING, VALVE(ONE) :EXHAUST RIGHT BANK	1.4
		.INCLUDES: Valve clearance adjustment	
1111W2A		.Replace one head(intake and exhaust all) add	0.1
14 1111K2		SEAL, INTAKE VALVE STEM	1.4
		.INCLUDES: Valve clearance adjustment	



Ref. No.	L.O.N.	(Relative ref. Number) Description	F.R.T.
1	1121B9	STARTER, RECOIL	0.1
3	1121B1	REEL, RECOIL STARTER	0.3
4		(7)	
	1121B0	RATCHET, STARTER AND/OR SPRING, RATCHET	0.2
		.NOTE: Same time for two units	
6	1121B7	SPRING, RECOIL STARTER RETURN (5)	0.3
8	1121B2	RETAINER, SPRING	0.2
9	1121A3	GRIP, RECOIL STARTER	0.1
10	1121B3	ROPE, RECOIL STARTER	0.3

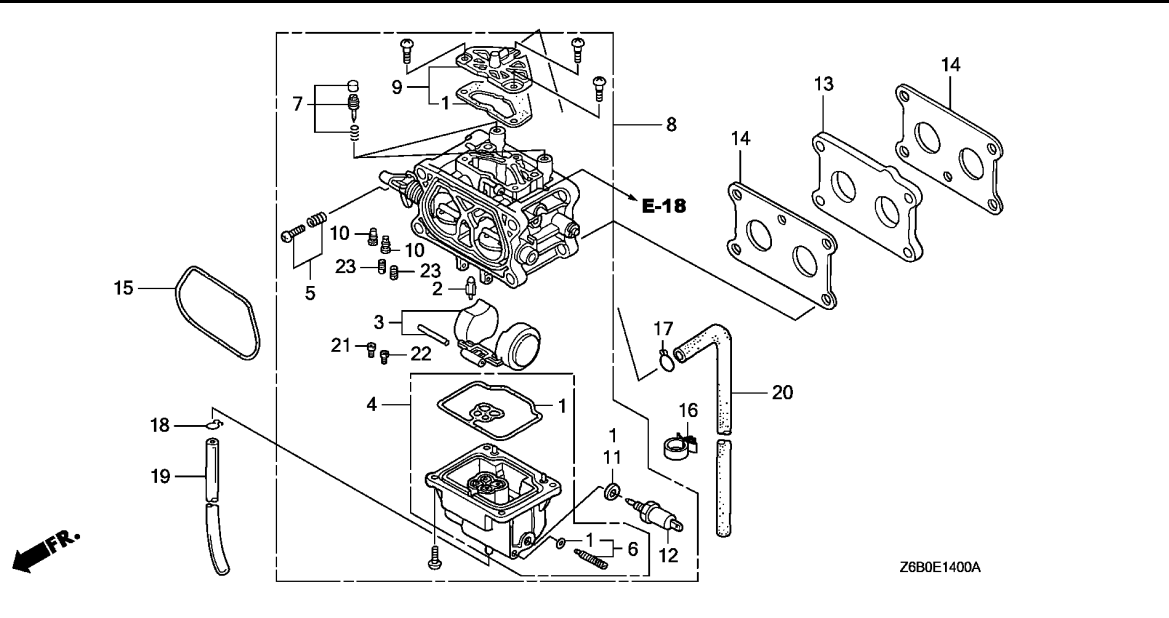


Z680E1100A

Ref. No.	Part No.	Description	Reqd. QTY			Serial No.	Parts catalogue code
			GXV 520	GXV 530	GXV 530		
1	28400-ZE3-W01ZH	STARTER ASSY., RECOIL					
		NH105...MAT BLACK (#15-#20)	1	1	1	-----	QRA4,QRA5
	28400-ZE3-W01ZP	*R280*.....POWER RED	1	1	1	-----	QRA4,QRA5
2	28410-ZE3-W01ZH	CASE COMP., RECOIL STARTER					
		NH105...MAT BLACK (#15-#20)	1	1	1	-----	QRA4,QRA5
	28410-ZE3-W01ZP	*R280*.....POWER RED	1	1	1	-----	QRA4,QRA5
3	28421-ZE3-W01	PULLEY, RECOIL STARTER	1	1	1	-----	QRA4,QRA5
4	28422-ZE2-W01	RATCHET, STARTER	2	2	2	-----	QRA4,QRA5
5	28441-ZE2-W01	SPRING, FRICTION	1	1	1	-----	QRA4,QRA5
6	28442-ZE2-W01	SPRING, STARTER RETURN	1	1	1	-----	QRA4,QRA5
7	28443-ZE2-W01	SPRING, RATCHET	2	2	2	-----	QRA4,QRA5
8	28444-ZE2-W01	RETAINER, SPRING	1	1	1	-----	QRA4,QRA5
9	28461-ZE2-W02	GRIP, STARTER	1	1	1	-----	QRA4,QRA5
10	28462-ZE3-W01	ROPE, RECOIL STARTER	1	1	1	-----	QRA4,QRA5
11	90004-ZE2-W01	SCREW, CENTER	1	1	1	-----	QRA4,QRA5
12	95701-06008-07	BOLT, FLANGE, 6X8	3	3	3	-----	QRA4,QRA5

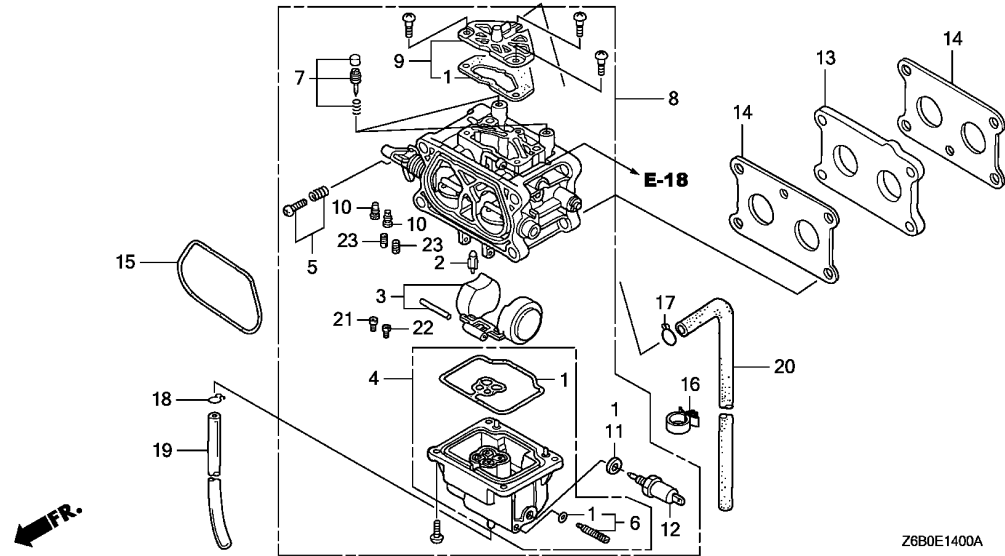


Ref. No.	Part No.	Description	Reqd. QTY			Serial No.	Parts catalogue code
			GXV 520 U	GXV 530 U	GXV 530 R		
15	28452-Z0A-000ZA	GRID, SCREEN (D50)					
		NH1.....BLACK	1	1	1	-----	DXA1,DXA2,EXA1,EXA2,PXA1,QEA3,QXA4,QXA5,QXU3,SXE3
	28452-Z0A-000ZC	*R280*.....POWER RED	1	1	1	-----	DXA1,DXA2,EEA1,EXA1,JXA3,PXA1,QEA3,QXA4,QXA5,QXU3,QXU4,SXE3
16	28452-Z0A-800ZA	GRID, SCREEN (D80)					
		NH1.....BLACK	1	1	1	-----	QRA4,QRA5
	28452-Z0A-800ZC	*R280*.....POWER RED	1	1	1	-----	QRA4,QRA5
17	28452-Z0A-810	GRID, SCREEN (STIGA)	-	1	1	-----	SXE2,UXE3
18	90004-Z0A-000	BOLT, AIR CLEANER, 6MM	2	2	2		
19	90013-ZL8-000	BOLT, FLANGE, 6X14(CT200) ...	2	2	2		
20	90014-952-000	BOLT, FLANGE, 6X14(CT200) ...	1	1	1	-----	QRA4,QRA5,QXA4,QXA5
			2	2	2	-----	DXA1,DXA2,EEA1,EXA1,EXA2,JXA3,PXA1,QEA3,QXU3,QXU4,SXE2,SXE3,UXE3
21	90044-Z0A-000	BOLT, L. STUD (IGNITION COIL)	1	1	1		
22	90045-Z0A-000	BOLT, R. STUD (IGNITION COIL)	1	1	1		
23	90201-ZM0-000	NUT, FLANGE, 6MM	2	2	2	-----	DXA1,DXA2,EEA1,EXA1,EXA2,JXA3,PXA1,QEA3,QXU3,QXU4,SXE2,SXE3,UXE3
	94050-06070	2	2	2	-----	QRA4,QRA5,QXA4,QXA5
24	93913-24410	SCREW, TAPPING, 4X16(P0)	-	4	4	-----	SXE2,UXE3
25	93913-24780	SCREW, TAPPING, 4X30(P0)	4	-	-		
			-	4	4	-----	DXA1,DXA2,EEA1,EXA1,EXA2,JXA3,PXA1,QEA3,QRA4,QRA5,QXA4,QXA5,QXU3,QXU4,SXE3
26	94050-06070	NUT, FLANGE, 6MM	1	1	1	-----	QRA4,QRA5,QXA4,QXA5
27	94103-06800	WASHER, PLAIN, 6MM	2	2	2		
28	95701-06008-07	BOLT, FLANGE, 6X8	3	3	3	-----	QXA4,QXA5
29	95701-06012-00	BOLT, FLANGE, 6X12	2	2	2		
30	95801-06100-00	BOLT, FLANGE, 6X100	4	4	4		
31	17410-Z6A-000	ELBOW COMP., AIR CLEANER	-	1	-	1008351	----- DXA1,DXA2,EEA1,EXA1,JXA3,PXA1,QEA3,QRA4,QRA5,QXA4,QXA5,QXU3,QXU4,SXE2,UXE3
			-	-	1		
32	90634-ZL8-H00	CAP, SEALING	-	1	-	1008351	----- DXA1,DXA2,EEA1,EXA1,JXA3,PXA1,QEA3,QRA4,QRA5,QXA4,QXA5,QXU3,QXU4,SXE2,UXE3
			-	-	1		
33	95002-02100	CLIP, TUBE (B10)	-	1	-	1008351	----- DXA1,DXA2,EEA1,EXA1,JXA3,PXA1,QEA3,QRA4,QRA5,QXA4,QXA5,QXU3,QXU4,SXE2,UXE3
			-	-	1		

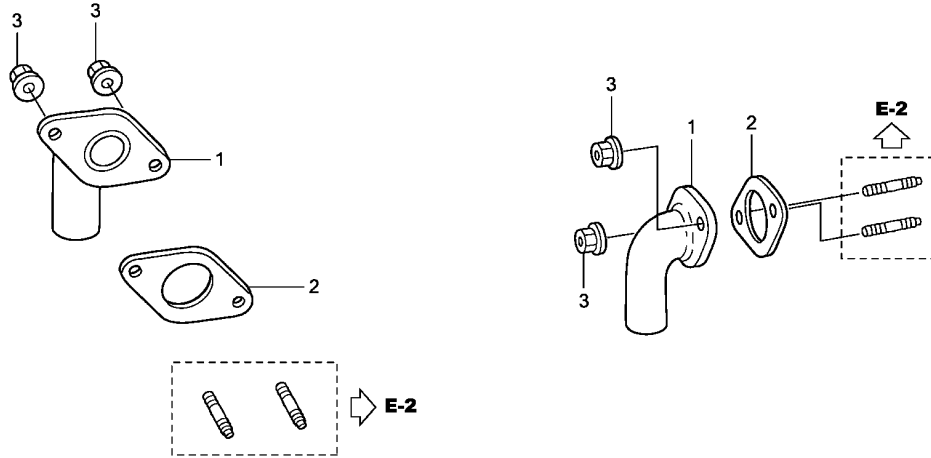


Ref. No.	L.O.N.	(Relative ref. Number) Description	F.R.T.
1	3111B1	GASKET SET, CARBURETOR (3)	0.6
2	3111E1	VALVE SET, FLOAT AND/OR FLOAT SET	0.6
4	3111A3	CHAMBER SET, FLOAT AND/OR GASKET, FLOAT CHAMBER	0.6
7	3111D7	SCREW SET, PILOT	0.2
8	3111F3	CARBURETOR	0.5
9	3111J9	COVER SET, AIR VENT (11)	0.3
12	6211C0	VALVE, CARBURETOR SOLENOID (14)	0.1
13	3111C0	INSULATOR, CARBURETOR AND/OR PACKING, INSULATOR	0.4
15	3121H2	PACKING, AIR CLEANER(A)	0.4
19	3111H8	TUBE, FLOAT CHAMBER	0.1
20	3101F6	TUBE, FUEL	0.3
21	3111C3	JET, MAIN	0.6

Ref. No.	Part No.	Description	Reqd. QTY			Serial No.	Parts catalogue code
			GXV 520 U	GXV 530 U	GXV 530 R		
1	16010-Z0A-802	GASKET SET	1	1	1		
2	16011-Z0A-004	VALVE, FLOAT	1	1	1		
3	16013-Z0A-004	FLOAT SET	1	1	1		
4	16015-Z0A-802	CHAMBER SET, FLOAT	1	1	1		
5	16016-Z0A-004	SCREW SET	1	1	1		
6	16024-Z0A-004	SCREW SET, DRAIN	1	1	1		
7	16028-Z0N-004	SCREW SET, PILOT	2	-	-		
	16028-Z0A-004		-	2	2		
8	16100-Z0N-805	CARBURETOR ASSY. (BW04A C)	1	-	-	-----	----- QRA4,QRA5,QXA4,QXA5
	16100-Z0N-815	CARBURETOR ASSY. (BW04B C)	1	-	-	-----	----- QEA3
	16100-Z0A-805	CARBURETOR ASSY. (BW02A C)	-	1	1	-----	----- QRA4,QRA5,QXA4,QXA5
	16100-Z0A-815	CARBURETOR ASSY. (BW02B C)	-	1	1	-----	----- DXA1,DXA2,EXA1,JXA3,PXA1,QEA3,QXU3,QXU4,SXE2,SXE3,UXE3
	16100-Z0P-V02	CARBURETOR ASSY. (BW02C A)	-	1	1	-----	----- EEA1,EXA2
9	16139-Z0A-004	COVER SET, AIR VENT	1	1	1		
10	16168-Z0A-004	CAP	2	2	2		
11	16178-Z0A-802	GASKET	1	1	1		
12	16200-Z0A-802	VALVE ASSY., SOLENOID	1	1	1		
13	16211-Z0A-000	INSULATOR, CARBURETOR	1	1	1		
14	16212-Z0A-000	PACKING, INSULATOR	2	2	2		
15	17228-Z0A-003	PACKING, AIR CLEANER	1	1	1		
16	90659-680-013	CLIP, WIRE HARNESS	1	-	-		
			-	1	1	-----	----- DXA1,DXA2,EXA1,EXA2,JXA3,QEA3,QRA4,QRA5,QXA4,QXA5,QXU3,QXU4,SXE2,SXE3,UXE3
17	95002-02080	CLIP, TUBE (B8)	1	1	1		
18	95002-02650	CLIP, TUBE (B6.5)	1	1	1		



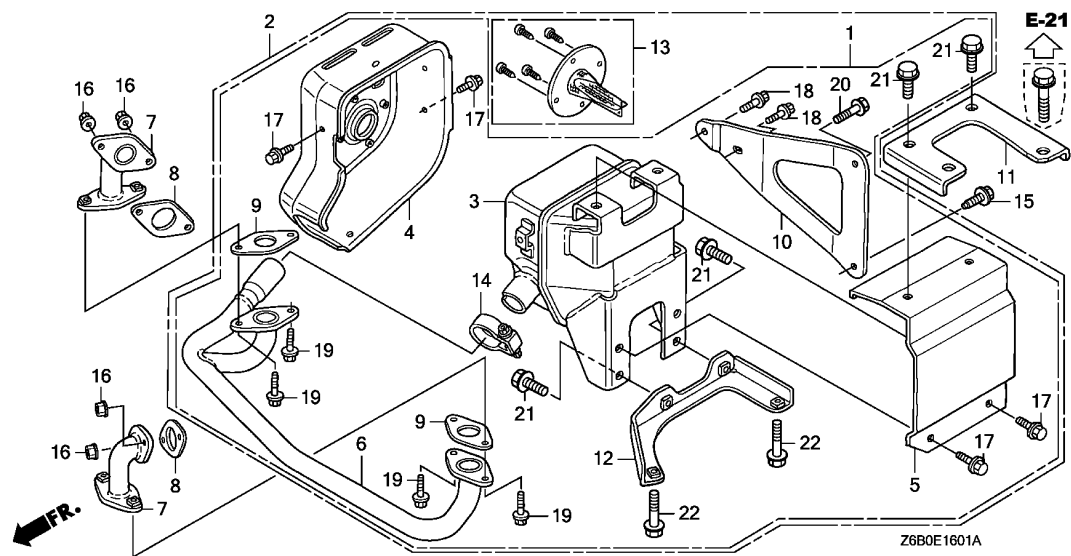
Ref. No.	Part No.	Description	Reqd. QTY			Serial No.	Parts catalogue code
			GXV 520 U	GXV 530 U	GXV 530 R		
19	95003-07030-31	TUBE, VINYL, 4X7X300 (95003-07001-60M)	1	1	1		
20	95005-45400-20	TUBE, 4.5X400(95005-45001-20M)	1	1	1		
21	99131-Z0A-0710	JET, MAIN, #71.3	(1)	-	-		
	99131-Z0A-0730	JET, MAIN, #73.8	(1)	-	-		
	99131-Z0A-0760	JET, MAIN, #76.3	1	-	-		
	99131-Z0A-0820	JET, MAIN, #82.5	-	(1)	(1)		
	99131-Z0A-0850	JET, MAIN, #85	-	(1)	(1)		
	99131-Z0A-0870	JET, MAIN, #87.5	-	1	1		
22	99131-Z0A-0730	JET, MAIN, #73.8	(1)	-	-		
	99131-Z0A-0760	JET, MAIN, #76.3	(1)	-	-		
	99131-Z0A-0780	JET, MAIN, #78.8	1	-	-		
	99131-Z0A-0850	JET, MAIN, #85	-	(1)	(1)		
	99131-Z0A-0870	JET, MAIN, #87.5	-	(1)	(1)		
	99131-Z0A-0900	JET, MAIN, #90	-	1	1		
23	99134-Z0A-0350	JET, PILOT, #35	2	-	-		
	99134-Z0A-0370	JET, PILOT, #37.5	-	2	2		



Z6B0E1600A

Ref. No.	L.O.N.	(Relative ref. Number) Description	F.R.T.
1	3131C7	PIPE, EXHAUST :LEFT	0.2
	3131C8	PIPE, EXHAUST :RIGHT	0.2
2	3131J1	GASKET, EXHAUST PIPE :LEFT ...	0.2
	3131J2	GASKET, EXHAUST PIPE :RIGHT ..	0.2

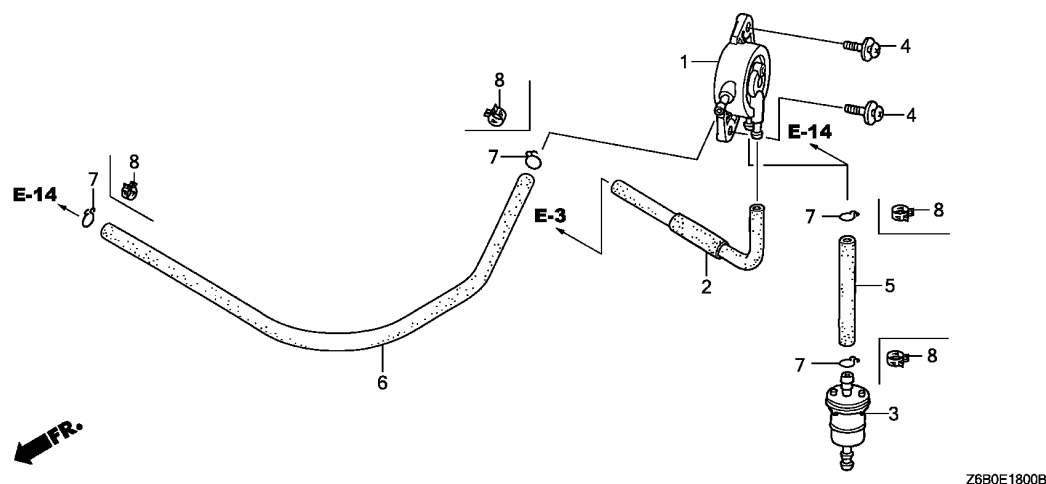
Ref. No.	Part No.	Description	Reqd. QTY			Serial No.	Parts catalogue code
			GXV 520 U	GXV 530 U	GXV 530 R		
1	18331-Z0A-000	PIPE, EX.	2	2	2	-----	JXA3,QEA3,QXU3,QXU4
2	18333-Z0A-000	GASKET, EX. PIPE	2	2	2	-----	DXA1,DXA2,EEA1,EXA1,EXA2,JXA3,PXA1,QEA3,QXU3,QXU4,SXE2,SXE3,UXE3
3	94050-06000	NUT, FLANGE, 6MM	4	-	-	-----	EXA1,EXA2,JXA3,QEA3,QXU3,QXU4,SXE3,UXE3
			-	4	4	-----	



Ref. No.	L.O.N.	(Relative ref. Number) Description	F.R.T.
2	3131C4	MUFFLER KIT	0.2
3	3131C5	MUFFLER, EXHAUST	0.3
6	3131C9	PIPE, EXHAUST	0.3
7	3131C7	PIPE, EXHAUST :LEFT	0.2
	3131C8	PIPE, EXHAUST :RIGHT	0.2
8	3131J9	GASKET, EXHAUST PIPE(A) :LEFT	0.3
	3131K0	GASKET, EXHAUST PIPE(A) :RIGHT	0.3
9	3131J1	GASKET, EXHAUST PIPE :LEFT ...	0.2
	3131J2	GASKET, EXHAUST PIPE :RIGHT ..	0.2
13	3131A1	ARRESTER, SPARK	0.2

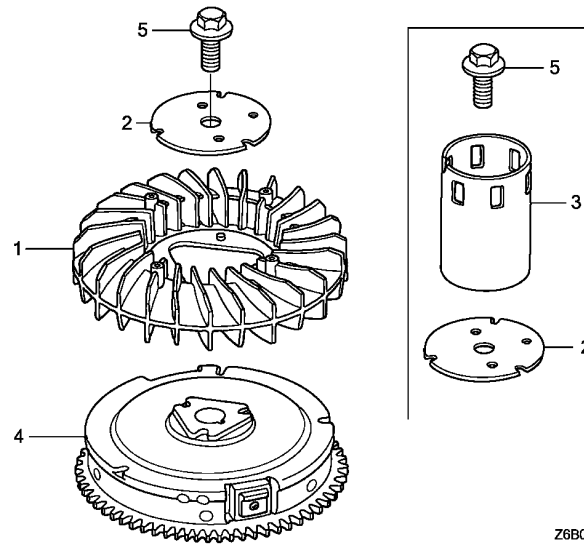
Ref. No.	Part No.	Description	Reqd. QTY			Serial No.	Parts catalogue code
			GXV 520 U	GXV 530 U	GXV 530 R		
1	06183-Z0A-800	MUFFLER KIT (A)	(1)	(1)	(1)	-----	QRA4,QRA5,QXA4,QXA5
2	06183-Z0A-810	MUFFLER KIT (B)	(1)	(1)	(1)	-----	QRA4,QRA5,QXA4,QXA5
3	18310-Z0A-801	MUFFLER COMP.	(1)	(1)	-	-----	EEA1,JXA3,QRA4,QRA5,QXA4,QXA5,SXE2
			-	-	(1)	-----	
4	18321-ZJ1-841	PROTECTOR, MUFFLER (SIDE-L) ..	(1)	(1)	(1)	-----	QRA4,QRA5,QXA4,QXA5
5	18325-Z0A-800	PROTECTOR, RR. MUFFLER	(1)	(1)	(1)	-----	QRA4,QRA5,QXA4,QXA5
6	18330-Z0A-801	PIPE COMP., EX.	(1)	(1)	(1)	-----	QRA4,QRA5,QXA4,QXA5
7	18331-Z0A-800	PIPE, EX. (FLANGE)	2	2	2	-----	QRA4,QRA5,QXA4,QXA5
8	18333-Z0A-000	GASKET, EX. PIPE	2	2	2	-----	QRA4,QRA5,QXA4,QXA5
9	18333-Z0A-000	GASKET, EX. PIPE	(2)	(2)	(2)	-----	QRA4,QRA5,QXA4,QXA5
10	18337-Z0A-800	BRACKET, MUFFLER	(1)	(1)	(1)	-----	QRA4,QRA5,QXA4,QXA5
11	18338-Z0A-800	BRACKET, UPPER MUFFLER	1	1	1	-----	QRA4,QRA5,QXA4,QXA5
12	18339-Z0A-801	BRACKET, LOWER MUFFLER	(1)	(1)	(1)	-----	QRA4,QRA5,QXA4,QXA5
13	18355-ZJ1-801	ARRESTER, SPARK	(1)	(1)	-	-----	EEA1,JXA3,QRA4,QRA5,QXA4,QXA5,SXE2
			-	-	(1)	-----	
14	18396-ZJ1-003	BAND ASSY.	(1)	(1)	(1)	-----	QRA4,QRA5,QXA4,QXA5
15	90014-952-000	BOLT, FLANGE, 6X14(CT200) ...	(1)	(1)	(1)	-----	QRA4,QRA5,QXA4,QXA5
16	94050-06000	NUT, FLANGE, 6MM	4	4	4	-----	QRA4,QRA5,QXA4,QXA5
17	95701-06008-00	BOLT, FLANGE, 6X8	(4)	(4)	(4)	-----	QRA4,QRA5,QXA4,QXA5
18	95701-06010-00	BOLT, FLANGE, 6X10	(2)	(2)	(2)	-----	QRA4,QRA5,QXA4,QXA5
19	95701-06016-00	BOLT, FLANGE, 6X16	(4)	(4)	(4)	-----	QRA4,QRA5,QXA4,QXA5
20	95701-06020-00	BOLT, FLANGE, 6X20	(1)	(1)	-	-----	QRA4,QRA5,QXA4,QXA5
	90022-888-010	BOLT, FLANGE, 6X20(CT200) ...	-	-	(1)	-----	QRA4,QRA5,QXA4,QXA5
21	95701-08014-00	BOLT, FLANGE, 8X14	(4)	(4)	(4)	-----	QRA4,QRA5,QXA4,QXA5
22	95701-08035-00	BOLT, FLANGE, 8X35	(2)	(2)	(2)	-----	QRA4,QRA5,QXA4,QXA5





Ref. No.	L.O.N.	(Relative ref. Number) Description	F.R.T.
1	3101H9	PUMP, FUEL	0.2
2	3101E5	TUBE, DIAPHRAGM	0.1
3	3101H8	STRAINER, FUEL	0.1
5	3101G0	TUBE, FUEL STRAINER	0.1
6	3101K7	TUBE, FUEL PUMP	0.2

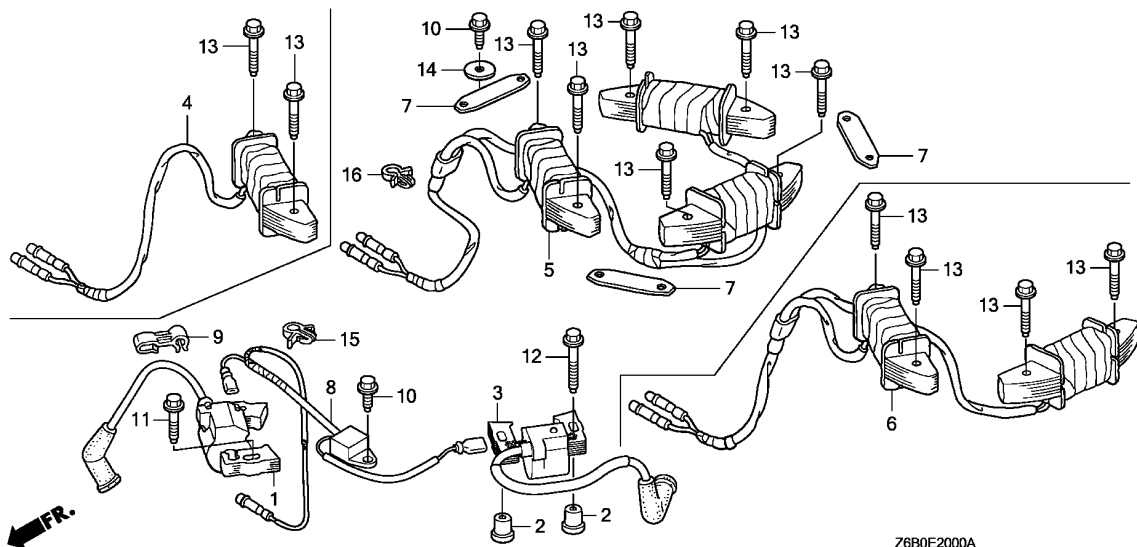
Ref. No.	Part No.	Description	Reqd. QTY			Serial No.	Parts catalogue code
			GXV 520 U	GXV 530 U	GXV 530 R		
1	16700-ZL8-013	PUMP ASSY., FUEL	1	1	1	-----	DXA1,DXA2,EEA1,EXA1,EXA2,JXA3,PXA1,QEA3,QXU3,QXU4,SXE2,SXE3,UXE3
2	16882-Z0A-000	TUBE, DIAPHRAGM	1	1	1	-----	DXA1,DXA2,EEA1,EXA1,EXA2,JXA3,PXA1,QEA3,QXU3,QXU4,SXE2,SXE3,UXE3
3	16910-ZV4-015	STRAINER COMP., FUEL	1	1	1	-----	DXA1,DXA2,EEA1,EXA1,EXA2,JXA3,PXA1,QEA3,QXU3,QXU4,SXE2,SXE3,UXE3
4	93894-05016-00	SCREW-WASHER, 5X16	2	2	2	-----	DXA1,DXA2,EEA1,EXA1,EXA2,JXA3,PXA1,QEA3,QXU3,QXU4,SXE2,SXE3,UXE3
5	95001-55100-40	TUBE, FUEL, 5.3X100 (95001-55001-60M)	1	-	-	-----	DXA1,DXA2,EEA1,EXA1,EXA2,JXA3,PXA1,QEA3,QRA4,QRA5,QXA4,QXA5,QXU3,QXU4,SXE3,UXE3
	91425-Z5Y-801	TUBE, FUEL, 5.3X100(FKM)	-	1	-	-----	SXE2
	91425-Z5Y-802	-	1	-	1001842	DXA1,DXA2,EEA1,EXA1,EXA2,JXA3,PXA1,QEA3,QRA4,QRA5,QXA4,QXA5,QXU3,QXU4,SXE3,UXE3
6	95001-55350-40	TUBE, FUEL, 5.3X350 (95001-55001-60M)	1	-	-	-----	QEA3
	91425-Z5Y-811	TUBE, FUEL, 5.3X350(FKM)	-	1	-	1001841	DXA1,DXA2,EEA1,EXA1,EXA2,JXA3,PXA1,QEA3,QXU3,QXU4,SXE3,UXE3
	91425-Z5Y-812	-	1	-	1001842	SXE2
7	95002-02100	CLIP, TUBE (B10)	2	-	-	-----	DXA1,DXA2,EEA1,EXA1,EXA2,JXA3,PXA1,QEA3,QXU3,QXU4,SXE2,UXE3
			4	-	-	-----	QRA4,QRA5,QXA4,QXA5
			-	2	-	1001841	QEA3
			-	4	-	1001841	QRA4,QRA5,QXA4,QXA5
8	95002-41000-08	CLAMP, TUBE (D10)	-	2	-	1001842	DXA1,DXA2,EEA1,EXA1,EXA2,JXA3,PXA1,QEA3,QXU3,QXU4,SXE3,UXE3
			-	4	-	-----	QRA4,QRA5,QXA4,QXA5
			-	4	-	1001842	SXE2
			-	4	-	-----	DXA1,DXA2,EEA1,EXA1,EXA2,JXA3,PXA1,QEA3,QXU3,QXU4,SXE3,UXE3
			-	2	-	-----	QRA4,QRA5,QXA4,QXA5
			-	4	-	-----	DXA1,DXA2,EEA1,EXA1,JXA3,PXA1,QEA3,QXU3,QXU4,UXE3



Ref. No.	L.O.N.	(Relative ref. Number) Description	F.R.T.
1	1141G7	FAN, ENGINE COOLING	0.3
2	1141H0	PLATE, COOLING FAN SETTING ...	0.3
3	1121A9	PULLEY, RECOIL STARTER	0.3
4	2161B5	FLYWHEEL	0.4

Ref. No.	Part No.	Description	Reqd. QTY			Serial No.	Parts catalogue code
			GXV 520	GXV 530	GXV 530		
1	19511-Z0A-000	FAN, COOLING	1	1	1		
2	19513-Z0A-000	PLATE, COOLING FAN SETTING ..	1	1	1		
3	28451-Z0A-003	PULLEY, STARTER	1	1	1	-----	QRA4,QRA5
4	31110-Z0A-000	FLYWHEEL COMP.	1	1	1	-----	QRA4,QRA5,QXA4,QXA5
	31110-Z0A-800	FLYWHEEL COMP. (6P)	1	1	1	-----	DXA1,DXA2,EEA1,EXA1,EXA2,JXA3,PXA1,QEA3,QXU3,QXU4,SXE2,SXE3,UXE3
5	90011-Z0A-000	BOLT, FLANGE, 16X35	1	1	1		

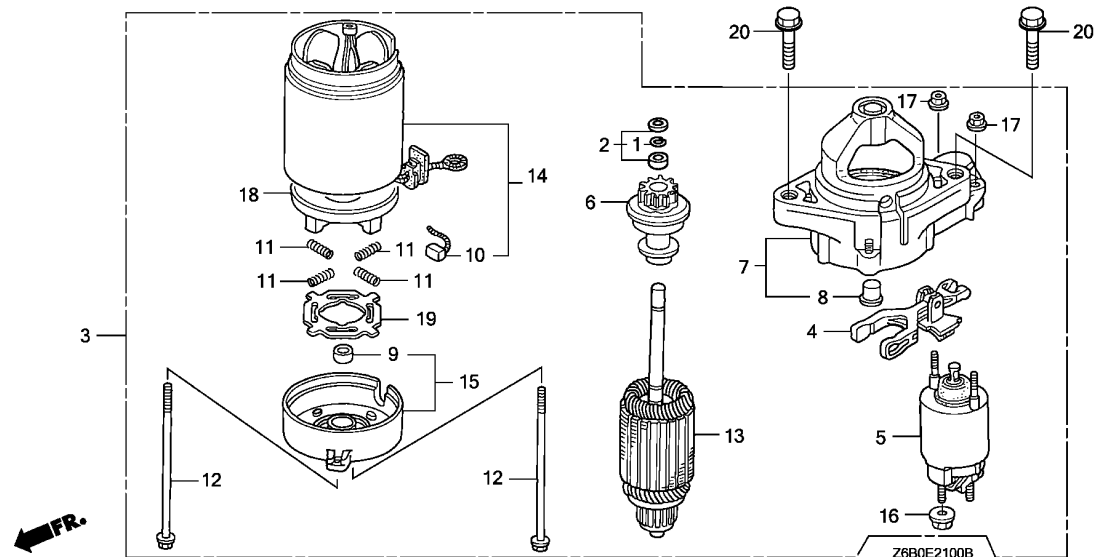




Ref. No.	L.O.N.	(Relative ref. Number) Description	F.R.T.
1	6141A4	COIL, IGNITION :RIGHT	0.4
3	6141A3	COIL, IGNITION :LEFT	0.4
4		(5,6)	
	6131C3	COIL, CHARGE	0.5
8	614106	DIODE, ENGINE STOP	0.4

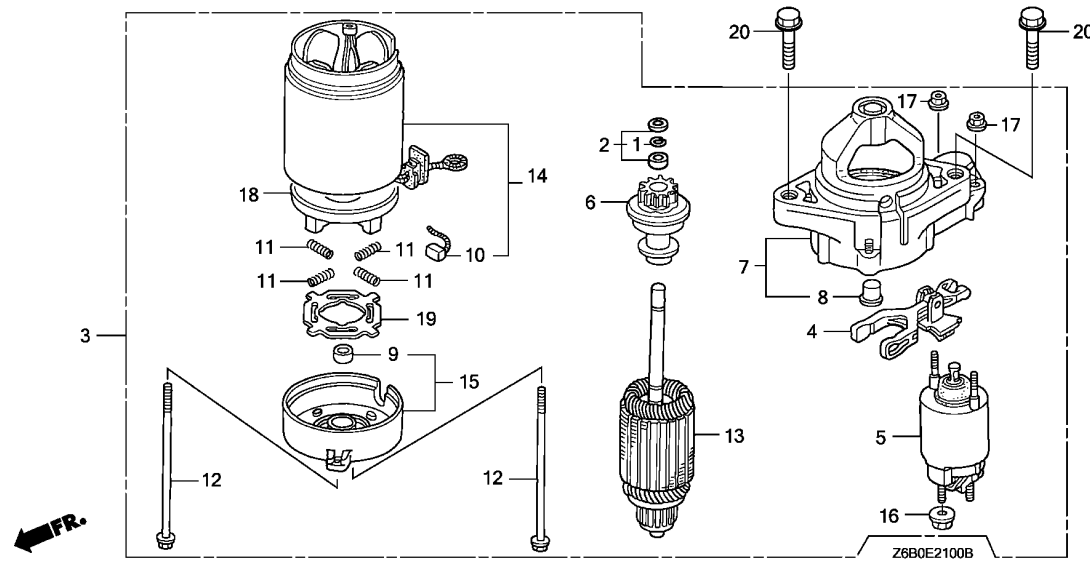
2

Ref. No.	Part No.	Description	Reqd. QTY			Serial No.	Parts catalogue code
			GXV 520 U	GXV 530 U	GXV 530 R		
1	30500-Z0A-033	COIL ASSY., IGNITION (#1) ...	1	1	1		
2	30509-Z0A-000	COLLAR, IGNITION COIL	2	2	2		
3	30550-Z0A-033	COIL ASSY., IGNITION (#2) ...	1	1	1		
4	31630-Z0A-003	COIL ASSY., CHARGE (12V/3A) -	1	1	1	-----	QRA4,QRA5,QXA4,QXA5
5	31630-Z0A-801	COIL ASSY., CHARGE (12V/18A)	1	1	1	-----	JXA3,QEA3,UXE3
6	31630-Z0A-811	COIL ASSY., CHARGE (12V/12A)	-	1	1	-----	DXA1,DXA2,EEA1,EXA1,EXA2,PXA1,QXU3,QXU4,SXE2,SXE3
7	31635-Z0A-000	PLATE, COIL SETTING	-	3	3	-----	UXE3
8	31740-Z0A-003	DIODE ASSY., ENGINE STOP	1	1	1		
9	32768-PJ7-000	CLAMP, CENTER CORD	1	1	1		
10	90013-883-000	BOLT, FLANGE, 6X12(CT200) ...	2	2	2		
11	90015-883-000	BOLT, FLANGE, 6X28(CT200) ...	1	1	1		
12	90016-ZE8-000	BOLT, FLANGE, 6X45(CT200) ...	1	1	1		
13	90031-ZE1-000	BOLT, FLANGE, 6X32(CT200) ...	2	2	2	-----	QRA4,QRA5,QXA4,QXA5
			6	6	6	-----	JXA3,QEA3,UXE3
			-	4	4	-----	DXA1,DXA2,EEA1,EXA1,EXA2,PXA1,QXU3,QXU4,SXE2,SXE3
14	90136-428-870	WASHER, TANK SETTING	1	1	1		
15	90654-SA4-003	CLIP, WIRE HARNESS, 6MM(WHITE)	1	1	1		
16	90659-PG6-000	CLIP, WIRE HARNESS	1	1	1		

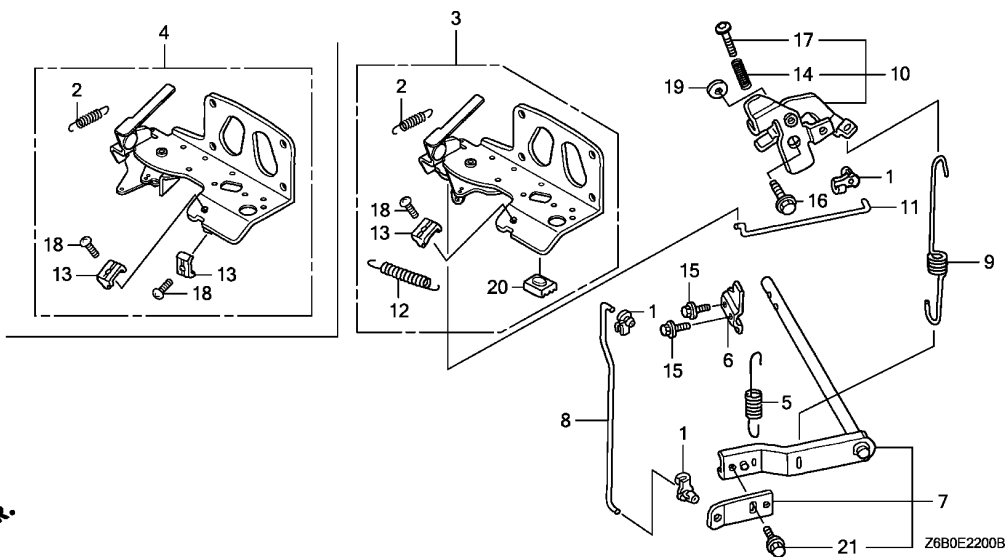


Ref. No.	L.O.N.	(Relative ref. Number) Description	F.R.T.
3	6121D5	MOTOR, STARTER	0.3
4	6121B7	LEVER, PINION DRIVE	0.4
5	6121C9	SWITCH, STARTER MAGNETIC	0.2
6	6121B0	CLUTCH, OVERRUNNING	0.5
7	6121C2	HOUSING, DRIVE SIDE	0.4
10	6121A9	BRUSH, STARTER	0.4
13	6121A0	ARMATURE, STARTER	0.5
14	6121D1	YOKE, STARTER	0.5

Ref. No.	Part No.	Description	Reqd. QTY			Serial No.	Parts catalogue code
			GXV 520 U	GXV 530 U	GXV 530 R		
1	30201-PH9-004	RING, SNAP (DENSO)	1	1	1		
2	30202-PZ1-003	COLLAR SET, CLUTCH STOP	1	1	1		
3	31200-Z0A-003	MOTOR ASSY., STARTER	1	-	-	1007757	
	31200-Z0A-013	-	1	-	1007758	
4	31203-PH9-004	LEVER, PINION DRIVE	1	-	-		
5	31204-ZG4-801	SWITCH ASSY., MAGNETIC	1	-	-	1007757	
	31204-Z0A-013	SWITCH ASSY., MAGNET	-	1	-	1007758	
6	31207-Z0A-003	CLUTCH COMP., OVERRUNNING ...	1	1	1		
7	31208-Z0A-003	HOUSING COMP., DRIVE SIDE ...	1	1	1		
8	31209-PH9-004	BEARING A	1	1	1		
9	31210-PH9-004	BEARING B	1	-	-		
10	31211-PH9-004	BRUSH	4	4	4	1007757	
11	31212-PH9-004	SPRING, BRUSH	4	4	4		
12	31214-PH9-004	BOLT, THROUGH	2	2	2		
13	31217-Z0A-003	ARMATURE COMP.	1	1	1		
14	31218-P64-N01	YOKE COMP.	1	-	-		
	31218-PH9-004	-	1	-	1007757	
	31218-PH9-004	-	1	-	1007758	
15	31219-Z0A-003	FRAME COMP., COMMUTATOR END .	1	1	1		



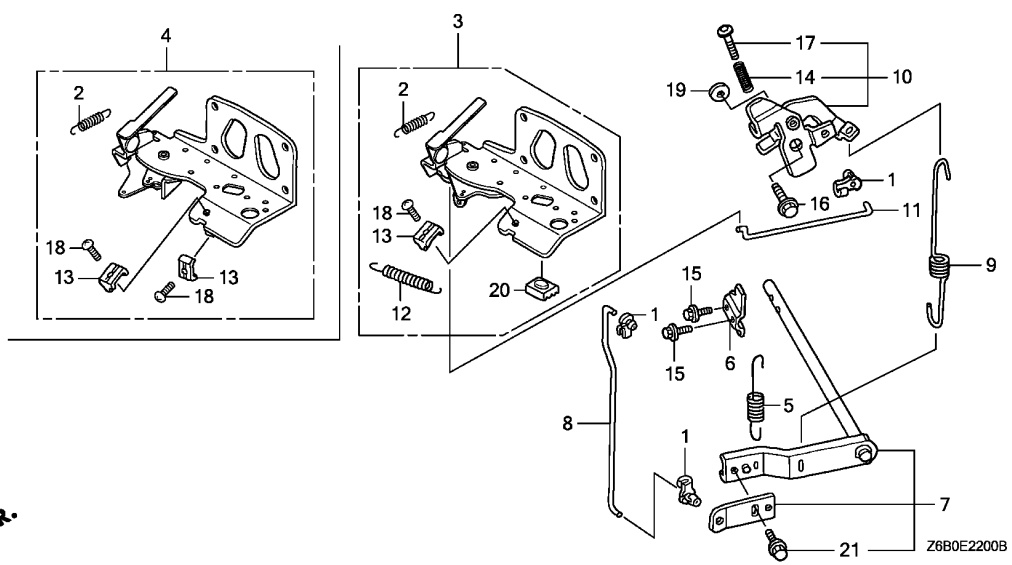
Ref. No.	Part No.	Description	Reqd. QTY			Serial No.	Parts catalogue code
			GXV 520 U	GXV 530 U	GXV 530 R		
16	31220-PH9-004	NUT, HEX., 8MM	1	1	1		
17	31223-PA0-006	NUT, HEX.	2	2	2		
18	31231-PH9-004	HOLDER, BRUSH	1	1	1		
19	31233-PH9-004	INSULATOR, BRUSH HOLDER	1	1	1		
20	95701-10040-00	BOLT, FLANGE, 10X40	2	2	2		



Ref. No.	L.O.N.	(Relative ref. Number) Description	F.R.T.
2	8101Q9	SPRING, CHOKE RETURN	0.1
3	(4)		
	1161A5	CONTROL, THROTTLE/GOVERNOR	0.2
5	1161C1	SPRING, STARTER	0.1
7	1161A0	ARM, GOVERNOR	0.5
8	1161B1	ROD, GOVERNOR	0.2
9	1161C5	SPRING, GOVERNOR	0.1
10	1161E5	LINK, GOVERNOR	0.2
11	1161E6	ROD, GOVERNOR LINK	0.1
12	1161C0	SPRING, LEVER	0.1

Ref. No.	Part No.	Description	Reqd. QTY			Serial No.	Parts catalogue code
			GXV 520	GXV 530	GXV 530 R		
1	16263-ZJ7-871	ROD, JOINT	3	3	3		
2	16268-ZOA-300	SPRING, CHOKE RETURN	1	1	1		
3	16500-ZOA-000	CONTROL ASSY. (1-LEVER)	1	1	1	-----	JXA3,QEA3,QXU3,QXU4,SXE3,UXE3
4	16500-ZOA-800	CONTROL ASSY. (2-LEVER)	1	1	1	-----	DXA1,DXA2,EEA1,EXA1,PXA1,QRA4,QRA5,QXA4,QXA5,SXE2
	16500-ZOA-V00		-	1	-	-----	EXA2
5	16534-ZOA-000	SPRING, STARTER	1	-	-		
	16534-ZOP-V00		-	1	1	-----	DXA1,DXA2,EXA1,JXA3,PXA1,QEA3,QRA4,QRA5,QXA4,QXA5,QXU3,QXU4,SXE2 SXE3,UXE3 EEA1,EXA2
6	16542-ZOA-000	FORK, GOVERNOR	1	1	1		
7	16550-ZOA-000	ARM COMP., GOVERNOR	1	1	1		
8	16555-ZOA-000	ROD, GOVERNOR	1	1	1		
9	16561-ZOA-000	SPRING, GOVERNOR	1	1	1		
10	16565-ZOA-000	LINK COMP., GOVERNOR	1	1	1		
11	16566-ZOA-000	ROD, GOVERNOR LINK	1	1	1		
12	16574-ZOA-300	SPRING, LEVER	1	1	1	-----	JXA3,QEA3,QXU3,QXU4,SXE3,UXE3
13	16576-891-000	HOLDER, CABLE	1	1	1	-----	JXA3,QEA3,QXU3,QXU4,SXE3,UXE3
			2	2	2	-----	DXA1,DXA2,EEA1,EXA1,EXA2,PXA1,QRA4,QRA5,QXA4,QXA5,SXE2
14	16584-883-300	SPRING, CONTROL ADJUSTING	1	1	1		
15	90002-892-000	BOLT, FLANGE, 5X10	2	2	2		
16	90015-ZOA-000	BOLT, FLANGE, 6MM(CT200)	1	1	1		
17	90016-ZG9-N30	SCREW, RECESSED, 5X25	1	1	1		
18	93500-05016-0A	SCREW, PAN, 5X16	1	1	1	-----	JXA3,QEA3,QXU3,QXU4,SXE3,UXE3
	90016-ZOA-V00	SCREW, RECESSED, 5X18	-	2	-	-----	DXA1,DXA2,EEA1,EXA1,PXA1,QRA4,QRA5,QXA4,QXA5,SXE2
19	94101-06000	WASHER, PLAIN, 6MM	1	1	1	-----	EXA2

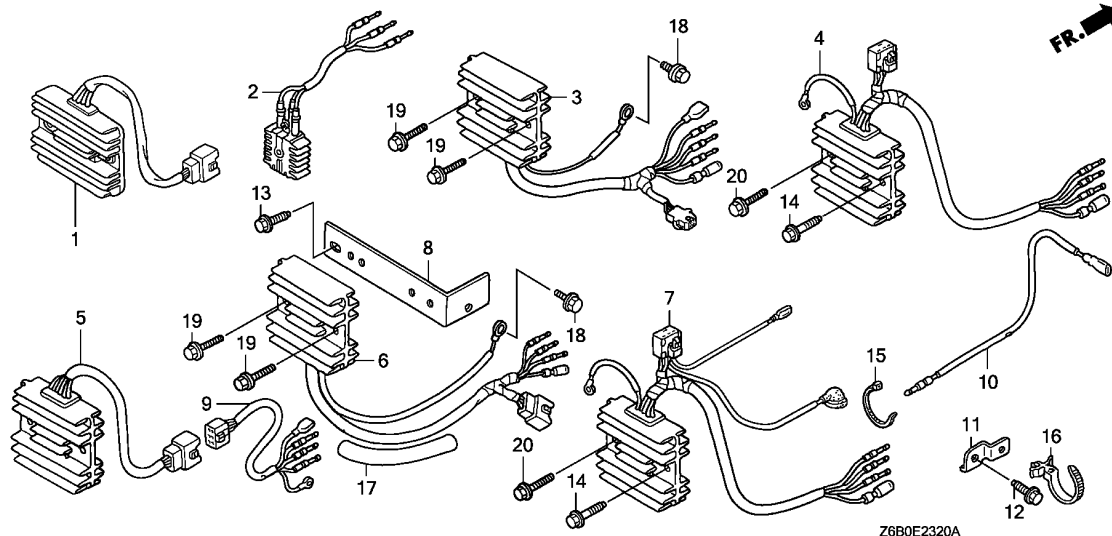




FR.

2

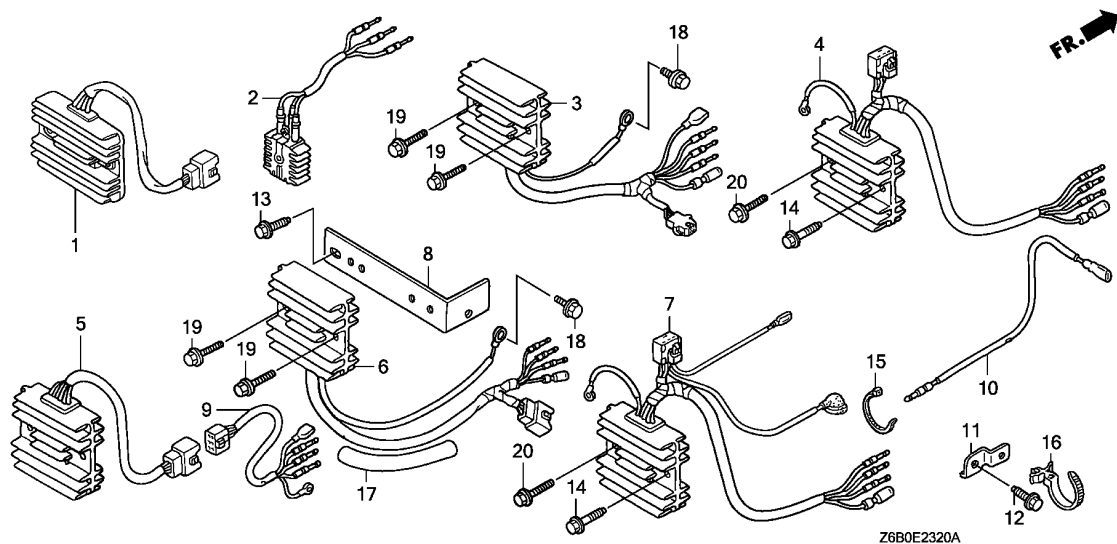
Ref. No.	Part No.	Description	Reqd. QTY			Serial No.	Parts catalogue code
			GXV 520 U	GXV 530 U	GXV 530 R		
20	95011-61000	RUBBER A, STAND STOPPER	1	1	1	-----	JXA3,QEA3,QXU3,QXU4,SXE3,UXE3
21	95701-06010-00	BOLT, FLANGE, 6X10	1	1	1		



Ref. No.	L.O.N.	(Relative ref. Number) Description	F.R.T.
1		(3,4,5,6,7)	
1	6131B7	RECTIFIER, REGULATOR	0.2
2	6131C7	RECTIFIER, REGULATOR(A)	0.1
10	6111E6	HARNESS, REGULATOR RECTIFIER ..	0.1

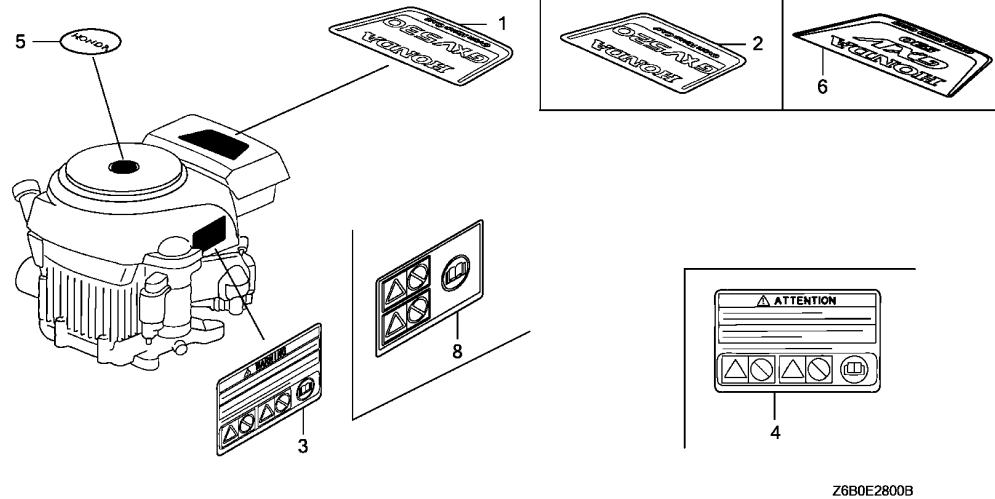
Ref. No.	Part No.	Description	Reqd. QTY			Serial No.	Parts catalogue code
			GXV 520 U	GXV 530 U	GXV 530 R		
1	31620-ZG5-013	RECTIFIER ASSY., REGULATOR (20A)	(1)	-	-	----- QEA3 ----- 1007757 UXE3 ----- 1007757 QEA3	
	31620-ZG5-033	-	(1)	-	----- 1007758 UXE3 ----- 1007758 QEA3 ----- 1 UXE3 ----- (1) QEA3	
2	31710-ZJ1-812	RECTIFIER ASSY. (10A)	(1)	(1)	(1)	----- QRA4,QRA5,QXA4,QXA5	
3	31750-Z0A-V01	RECTIFIER ASSY., REGULATOR ..	-	1	-	----- EXA2	
4	31750-Z0A-801	RECTIFIER ASSY., REGULATOR ..	-	1	1	----- DXA1,DXA2,EEA1	
5	31750-Z0A-811	RECTIFIER ASSY., REGULATOR ..	-	1	1	----- QXU3,QXU4,SXE3	
6	31750-Z0A-841	RECTIFIER ASSY., REGULATOR ..	-	1	1	----- EXA1	
7	31750-Z0A-851	RECTIFIER ASSY., REGULATOR ..	-	1	1	----- PXA1	
8	31758-Z0A-800	BRACKET, REGULATOR	-	1	1	----- EXA1,EXA2	
9	32105-ZJ1-800	HARNESS ASSY., SUB WIRE	(1)	(1)	(1)	----- QEA3 ----- SXE3,UXE3	
10	32105-Z0A-000	HARNESS ASSY., SUB WIRE	1	1	1		
11	35806-752-630	BASE, CLIP	-	1	1	----- DXA1,DXA2,EEA1,EXA1,EXA2,PXA1	
12	90013-883-000	BOLT, FLANGE, 6X12(CT200) ...	-	1	1	----- DXA1,DXA2,EEA1,EXA1,EXA2,PXA1	
13	90014-952-000	BOLT, FLANGE, 6X14(CT200) ...	-	2	2	----- EXA1,EXA2	
14	90121-952-000	BOLT, FLANGE, 6X25(CT200) ...	-	1	1	----- DXA1,DXA2,EEA1,PXA1	
15	90650-GEV-003	BAND, HARNESS	-	1	1	----- PXA1	
16	90672-SB2-003	STRAP, CABLE, 105MM(BLACK) ..	-	1	1	----- DXA1,DXA2,EEA1,EXA1,EXA2,PXA1	
17	91406-ZB3-740	TUBE, CORD	-	1	1	----- DXA1,DXA2,EEA1,EXA1,EXA2,PXA1	
18	95701-06008-00	BOLT, FLANGE, 6X8	-	1	1	----- EXA1,EXA2	





Ref. No.	Part No.	Description	Reqd. QTY			Serial No.	Parts catalogue code
			GXV 520 U	GXV 530 U	GXV 530 R		

19	95701-06020-00	BOLT, FLANGE, 6X20	-	2	2	----- EXA1,EXA2
20	95701-06025-00	BOLT, FLANGE, 6X25	-	1	1	----- DXA1,DXA2,EEA1,PXA1



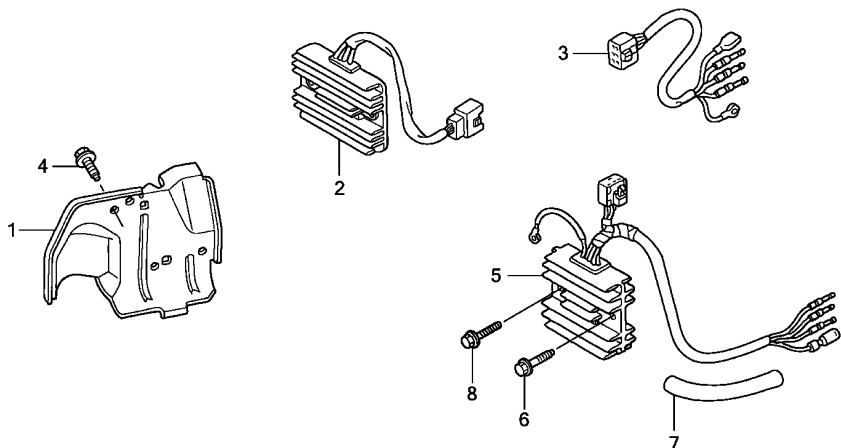
Ref. L.O.N. (Relative ref. Number) F.R.T.
No. Description

NO INFORMATION

Z6B0E2800B

Ref. No.	Part No.	Description	Reqd. QTY			Serial No.	Parts catalogue code
			GXV 520 U	GXV 530 U	GXV 530 R		
1	87101-ZOP-010	MARK, EMBLEM (GXV530)	-	1	-	1006563	EEA1,EXA1,EXA2,JXA3,PXA1,QEA3,QRA4,QRA5,QXA4,QXA5,QXU3,QXU4,SXE3
2	87101-ZOR-010	MARK, EMBLEM (GXV520)	-	1	-	1005498	1006563 SXE2
3	87516-ZH7-000	MARK, OPERATOR CAUTION (ENGLISH)(MADE IN JAPAN)	1	-	-		
			-	1	1	-----	----- DXA1,DXA2,EEA1,EXA1,EXA2,JXA3,QEA3,QRA4,QRA5,QXA4,QXA5,QXU3,QXU4,SXE2,SXE3,UXE3
4	87516-ZH7-800	MARK, OPERATOR CAUTION (FRENCH)(MADE IN JAPAN)	1	1	1		
	87516-ZH7-000	MARK, OPERATOR CAUTION (ENGLISH)(MADE IN JAPAN)	-	1	1	-----	----- PXA1
5	87531-ZOA-010	MARK, HONDA	1	1	1	-----	----- EEA1,EXA1,EXA2,JXA3,PXA1,QEA3,QXU3,QXU4,SXE3
6	87101-ZOP-020	MARK, EMBLEM (GXV530)	-	1	-	1006564	----- EEA1,EXA1,EXA2,JXA3,PXA1,QEA3,QRA4,QRA5,QXA4,QXA5,QXU3,QXU4,SXE2,SXE3
			-	-	1	-----	----- EEA1,EXA1,JXA3,PXA1,QEA3,QRA4,QRA5,QXA4,QXA5,QXU3,QXU4,SXE2
8	87516-ZH7-810	MARK, OPERATOR CAUTION (PICTOGRAPH)(MADE IN JAPAN)	(1)	(1)	(1)		





Z6B0E4000A

Ref. No.	L.O.N.	(Relative ref. Number) Description	F.R.T.
----------	--------	------------------------------------	--------

NO INFORMATION

Ref. No.	Part No.	Description	Reqd. QTY			Serial No.	Parts catalogue code
			GXV 520 U	GXV 530 U	GXV 530 R		
1	19631-Z0A-000	SHROUD	-	1	1	-----	EEA1
2	31620-ZG5-013	RECTIFIER ASSY., REGULATOR (20A)	-	2	2	-----	SXE2
	31620-ZG5-033	-	1	-	1007757	JXA3
			-	1	-	1007758	JXA3
3	32105-ZJ1-800	HARNESS ASSY., SUB WIRE	-	1	1	-----	JXA3,UXE3
4	90013-883-000	BOLT, FLANGE, 6X12(CT200) ...	-	1	1	-----	JXA3,QXU3,QXU4
5	31750-Z0A-801	RECTIFIER ASSY., REGULATOR ..	-	1	1	-----	EEA1
			-	1	1	-----	SXE2
6	90121-952-000	BOLT, FLANGE, 6X25(CT200) ...	-	1	1	-----	SXE2
7	91406-ZB3-740	TUBE, CORD	-	1	1	-----	SXE2
8	95701-06025-00	BOLT, FLANGE, 6X25	-	1	1	-----	SXE2

PART NO. INDEX

F 1

Part Number	Address	Page	Ref.	Part Number	Address	Page	Ref.	Part Number	Address	Page	Ref.	Part Number	Address	Page	Ref.
06000				15400-PFB-004	D3	21	6	16882-Z0A-000	E4	38	2	28421-ZE3-W01	D13	31	3
06183-Z0A-800	E3	37	1	15400-PFB-014	D3	21	6	16910-ZV4-015	E4	38	3	28422-ZE2-W01	D13	31	4
06183-Z0A-810	E3	37	2	15400-PLM-A01	D3	21	6					28441-ZE2-W01	D13	31	5
				15400-PLM-A02	D3	21	6	17000				28442-ZE2-W01	D13	31	6
				15410-MCJ-000	D3	21	6					28443-ZE2-W01	D13	31	7
				15410-MFJ-D01	D3	21	6	17100-Z0A-000	D1	19	4	28444-ZE2-W01	D13	31	8
11000				15550-Z0A-800	D5	23	6	17101-Z0A-000	D1	19	5	28451-Z0A-003	E5	39	3
11100-Z0A-409	D3	21	1	15550-Z0A-810	D5	23	6	17151-Z0A-000	D1	19	6	28452-Z0A-000ZA	D15	33	15
11100-Z0A-416	D3	21	1	15625-ZE1-003	D5	23	7	17211-Z0A-013	D14	32	2	28452-Z0A-000ZC	D15	33	15
11100-Z0A-417	D3	21	1	15631-Z0A-000	D3	21	7	17212-Z0A-000	D14	32	3	28452-Z0A-800ZA	D15	33	16
11300-Z0A-010	D5	23	1	15633-Z0A-300	D4	22	21	17218-Z0A-810	D14	32	4	28452-Z0A-800ZC	D15	33	16
11300-Z0A-801	D5	23	1	15655-Z0A-000	D3	21	8	17228-Z0A-003	D14	32	5	28452-Z0A-810	D15	33	17
11300-Z0A-811	D5	23	1	15655-Z0A-800	D3	21	8					28461-ZE2-W02	D13	31	9
11300-Z0A-820	D5	23	1	15721-Z0A-000	D3	21	9	17229-Z0A-000	D14	32	6	28462-ZE3-W01	D13	31	10
11300-Z0A-830	D5	23	1					17231-Z0A-000	D14	32	7				
				16000				17238-ZJ4-830	D14	32	8	30000			
				16010-Z0A-802	D16	34	1	17410-Z0A-010	D14	32	9				
12000				16011-Z0A-004	D16	34	2	17410-Z6A-000	D15	33	31	30201-PH9-004	E7	41	1
12100-Z0A-406	D1	19	1	16013-Z0A-004	D16	34	3					30202-PZ1-003	E7	41	2
12209-422-005	D9	27	14	16015-Z0A-802	D16	34	4	18000				30500-Z0A-033	E6	40	1
12311-Z0A-000	D1	19	3	16016-Z0A-004	D16	34	5	18310-Z0A-801	E3	37	3	30509-Z0A-000	E6	40	2
12356-Z0A-000	D3	21	2	16024-Z0A-004	D16	34	6	18321-ZJ1-841	E3	37	4	30550-Z0A-033	E6	40	3
12358-Z0A-000	D3	21	3	16028-Z0A-004	D16	34	7	18325-Z0A-800	E3	37	5				
12372-ZA0-701	D3	21	4	16028-Z0N-004	D16	34	7	18330-Z0A-801	E3	37	6	31000			
12374-Z0A-000	D3	21	5	16100-Z0A-805	D16	34	8	18331-Z0A-000	E2	36	1	31110-Z0A-000	E5	39	4
				16100-Z0A-815	D16	34	8	18331-Z0A-800	E3	37	7	31110-Z0A-800	E5	39	4
				16100-Z0N-805	D16	34	8	18333-Z0A-000	E2	36	2	31200-Z0A-003	E7	41	3
				16100-Z0N-815	D16	34	8					31200-Z0A-013	E7	41	3
13000				16100-Z0P-V02	D16	34	8	18337-Z0A-800	E3	37	10	31203-PH9-004	E7	41	4
13010-Z0A-003	D8	26	1	16139-Z0A-004	D16	34	9	18338-Z0A-800	E3	37	11	31204-Z0A-013	E7	41	5
13010-Z0A-014	D8	26	1	16168-Z0A-004	D16	34	10	18339-Z0A-801	E3	37	12	31204-ZG4-801	E7	41	5
13010-Z5Z-004	D8	26	1	16178-Z0A-802	D16	34	11	18355-ZJ1-801	E3	37	13	31207-Z0A-003	E7	41	6
13101-Z0A-800	D8	26	2	16200-Z0A-802	D16	34	12	18396-ZJ1-003	E3	37	14	31208-Z0A-003	E7	41	7
13101-Z0A-801	D8	26	2	16211-Z0A-000	D16	34	13					31209-PH9-004	E7	41	8
13111-ZJ1-840	D8	26	3	16212-Z0A-000	D16	34	14	19000				31210-PH9-004	E7	41	9
13200-Z0A-003	D8	26	4	16263-ZJ7-871	E9	43	1	19511-Z0A-000	E5	39	1	31211-PH9-004	E7	41	10
13200-Z0A-801	D8	26	4	16268-ZJ7-300	E9	43	2	19513-Z0A-000	E5	39	2	31212-PH9-004	E7	41	11
13310-Z0A-000	D7	25	1	16500-Z0A-000	E9	43	3	19611-Z0A-010ZA	D14	32	10	31214-PH9-004	E7	41	12
13310-Z0A-800	D7	25	1	16500-Z0A-800	E9	43	4	19611-Z0A-010ZC	D14	32	10	31217-Z0A-003	E7	41	13
				16500-Z0A-V00	E9	43	4	19611-Z0A-010ZC	D14	32	10	31218-P64-N01	E7	41	14
				16510-Z0A-000	D5	23	8	19611-Z0A-010ZC	D14	32	10	31218-P64-N01	E7	41	14
14000				16511-Z0A-000	D6	24	24	19612-Z0A-000	D14	32	11	31219-PH9-004	E7	41	15
14320-Z0A-000	D9	27	1	16512-Z0A-000	D6	24	25	19612-Z0A-000	D14	32	11	31219-Z0A-003	E7	41	15
14324-ZL8-000	D9	27	2	16513-ZE2-000	D6	24	26	19620-ZE3-L60ZC	D14	32	12	31220-PH9-004	E8	42	16
14400-Z0A-003	D9	27	3	16531-Z0A-000	D5	23	9	19620-ZE3-L60ZD	D14	32	12	31223-PA0-006	E8	42	17
14431-Z0A-000	D9	27	4	16534-Z0A-000	E9	43	5	19631-Z0A-000	D1	19	7	31233-PH9-004	E8	42	19
14441-Z0A-000	D9	27	5	16534-Z0P-V00	E9	43	5					31620-ZG5-013	E11	45	1
14461-Z0A-000	D9	27	6	16542-Z0A-000	E9	43	6						E14	48	2
14711-Z0A-000	D9	27	7	16550-Z0A-000	E9	43	7	28000				31620-ZG5-033	E11	45	1
14721-Z0A-000	D9	27	8	16555-Z0A-000	E9	43	8						E14	48	2
14751-ZE1-000	D9	27	9	16561-Z0A-000	E9	43	9	28400-ZE3-W01ZH	D13	31	1	31630-Z0A-003	E6	40	4
14771-ZE1-000	D9	27	10	16565-Z0A-000	E9	43	10	28400-ZE3-W01ZP	D13	31	1	31630-Z0A-801	E6	40	5
				16566-Z0A-000	E9	43	11	28405-Z0A-000ZA	D14	32	13	31630-Z0A-811	E6	40	6
				16574-Z0A-300	E9	43	12	28405-Z0A-000ZC	D14	32	13	31635-Z0A-000	E6	40	7
15000				16576-891-000	E9	43	13	28406-Z0A-000	D14	32	14	31710-ZJ1-812	E11	45	2
15100-Z0A-801	D5	23	2	16584-883-300	E9	43	14	28410-ZE3-W01ZH	D13	31	2	31740-Z0A-003	E6	40	8
15100-Z0A-811	D5	23	2	16700-ZL8-013	E4	38	1	28410-ZE3-W01ZP	D13	31	2	31750-Z0A-801	E11	45	4
15161-Z0A-000	D5	23	3	16711-Z0A-000	D14	32	1						E14	48	5
15162-Z0A-800	D5	23	4												
15163-Z0A-000	D5	23	5												

3

PART NO. INDEX

F 2

Part Number	Address	Page	Ref.	Part Number	Address	Page	Ref.	Part Number	Address	Page	Ref.	Part Number	Address	Page	Ref.
90045-Z0A-000	D15	33	22	94301-08140	D4	22	19								
90121-952-000	D4	22	15		D5	23	19	99131-Z0A-0870	E1	35	21				
	E11	45	14												
	E14	48	6	95000				99131-Z0A-0900	E1	35	22				
90136-428-870	E6	40	14					99134-Z0A-0350	E1	35	23				
90201-Z0A-000	D1	19	11	95001-55100-40	E4	38	5	99134-Z0A-0370	E1	35	23				
90201-ZM0-000	D15	33	23	95001-55350-40	E4	38	6								
90206-001-000	D9	27	12	95002-02080	D16	34	17								
90401-Z0A-000	D7	25	2	95002-02100	D15	33	33								
90473-147-000	D5	23	10		E4	38	7								
90551-ZE1-000	D8	26	6	95002-02650	D16	34	18								
90602-ZE1-000	D5	23	11	95002-41000-08	E4	38	8								
90634-ZL8-H00	D1	19	12	95003-07030-31	E1	35	19								
	D15	33	32	95005-45400-20	E1	35	20								
90650-GEV-003	E11	45	15	95011-61000	E10	44	20								
90654-SA4-003	E6	40	15	95701-06008-00	E3	37	17								
90659-680-013	D16	34	16		E11	45	18								
90659-PG6-000	E6	40	16	95701-06008-07	D13	31	12								
90672-SB2-003	E11	45	16		D15	33	28								
90741-ZE2-000	D7	25	3	95701-06010-00	E3	37	18								
					E10	44	21								
91000				95701-06012-00	D5	23	20								
					D15	33	29								
91201-ZE3-004	D4	22	16	95701-06016-00	E3	37	19								
91202-Z0A-003	D5	23	12	95701-06020-00	E3	37	20								
91206-333-003	D5	23	13		E12	46	19								
91301-Z0A-003	D5	23	14	95701-06022-00	D6	24	21								
91301-ZE9-003	D4	22	17	95701-06025-00	E12	46	20								
91301-ZM0-V31	D9	27	13		E14	48	8								
91302-Z0A-003	D5	23	15	95701-06030-00	D1	19	13								
91406-ZB3-740	E11	45	17		D6	24	22								
	E14	48	7	95701-06035-00	D6	24	22								
91425-Z5Y-801	E4	38	5	95701-08014-00	E3	37	21								
91425-Z5Y-802	E4	38	5	95701-08035-00	E3	37	22								
91425-Z5Y-811	E4	38	6	95701-08040-00	D6	24	23								
91425-Z5Y-812	E4	38	6	95701-10040-00	E8	42	20								
				95801-06100-00	D15	33	30								
92000				96000											
92800-20000	D5	23	16												
92900-08028-OE	D4	22	18	96100-62070-00	D4	22	20								
93000				98000											
93500-05016-OA	E9	43	18	98079-54846	D1	19	14								
93894-05016-00	E4	38	4	98079-54855	D1	19	14								
93913-24410	D15	33	24	98079-55846	D1	19	14								
93913-24780	D15	33	25	98079-55855	D1	19	14								
94000				99000											
94050-06000	E2	36	3	99131-Z0A-0710	E1	35	21								
	E3	37	16	99131-Z0A-0730	E1	35	21								
94050-06070	D15	33	23												
				99131-Z0A-0760	E1	35	21								
94101-06000	E9	43	19												
94101-06800	D5	23	17	99131-Z0A-0780	E1	35	22								
94103-06800	D15	33	27	99131-Z0A-0820	E1	35	21								
94109-20000	D5	23	18	99131-Z0A-0850	E1	35	21								

3

PART NAME INDEX

G 1

Part name	Address	Page	Ref.	Part name	Address	Page	Ref.	Part name	Address	Page	Ref.
[A]								[D]			
ARMATURE COMP.	E7	41	13	BOLT, FLANGE, 6X8	E11	45	18	DIODE ASSY., ENGINE STOP.....	E6	40	8
ARM COMP., GOVERNOR	E9	43	7	BOLT, FLANGE, 8X14	E3	37	21	DOWEL PIN, 8X14.....	D4	22	19
ARM, EX. VALVE ROCKER	D9	27	5	BOLT, FLANGE, 8X35	E3	37	22		D5	23	19
ARM, IN. VALVE ROCKER	D9	27	4	BOLT, FLANGE, 8X40	D6	24	23	[E]			
ARRESTER, SPARK	E3	37	13	BOLT, L. STUD	D15	33	21	ELBOW COMP., AIR CLEANER.....	D14	32	9
[B]				BOLT, R. STUD	D15	33	22		D15	33	31
BAND ASSY.	E3	37	14	BOLT, STUD, 6X28	D1	19	10	ELEMENT, AIR CLEANER.....	D14	32	2
BAND, HARNESS	E11	45	15	BOLT, STUD, 8X28	D4	22	18	EXTENSION, OIL FILLER.....	D3	21	7
BASE, CLIP	E11	45	11	BOLT, THROUGH	E7	41	12	[F]			
BEARING A	E7	41	8	BRACKET, LOWER MUFFLER	E3	37	12	FAN, COOLING.....	E5	39	1
BEARING B	E7	41	9	BRACKET, MUFFLER	E3	37	10	FILTER, OUTER.....	D14	32	4
BEARING, RADIAL BALL, 6207 ...	D4	22	20	BRACKET, RECOIL MOUNT	D14	32	14	FLOAT SET.....	D16	34	3
BELT, TIMING	D9	27	3	BRACKET, REGULATOR	E11	45	8	FLYWHEEL COMP.	E5	39	4
BOLT-WASHER, 4X8	D4	22	11	BRACKET, UPPER MUFFLER	E3	37	11	FORK, GOVERNOR.....	E9	43	6
BOLT, AIR CLEANER, 6MM	D15	33	18	BRUSH	E7	41	10	FRAME COMP., COMMUTATOR END...	E7	41	15
BOLT, CONNECTING ROD, 6X37 ...	D8	26	5	[C]							
BOLT, DRAIN PLUG, 20MM	D5	23	16	CAP	D16	34	10	[G]			
BOLT, FLANGE, 10X40	E8	42	20	CAP ASSY., DRAIN	D5	23	6	GASKET.....	D16	34	11
BOLT, FLANGE, 16X35	E5	39	5	CAP, SEALING	D1	19	12	GASKET SET.....	D16	34	1
BOLT, FLANGE, 5X10	D4	22	12		D15	33	32	GASKET, EX. PIPE.....	E2	36	2
BOLT, FLANGE, 6MM	E9	43	15	CARBURETOR ASSY.	D16	34	8		E3	37	8
BOLT, FLANGE, 6X10	E3	37	18	CARTRIDGE, OIL FILTER	D3	21	6	GASKET.....	D16	34	9
	E10	44	21	CASE COMP., RECOIL STARTER ...	D13	31	2	GAUGE COMP., OIL LEVEL.....	D3	6	8
BOLT, FLANGE, 6X100	D15	33	30	CHAMBER SET, FLOAT	D16	34	4	GOVERNOR ASSY.	D5	21	8
BOLT, FLANGE, 6X12	D1	19	8	CLAMP, CENTER CORD	E6	40	9	GRID, AIR CLEANER.....	D14	32	3
	D5	23	20	CLAMP, TUBE	E4	38	8	GRID, SCREEN.....	D15	33	15
	D15	33	29	CLIP, GOVERNOR HOLDER	D5	23	11				
	E6	40	10	CLIP, PISTON PIN, 18MM	D8	26	6	GRIP, STARTER.....	D13	31	9
	E11	45	12	CLIP, TUBE	D15	33	33	[H]			
	E14	48	4		D16	34	17	HARNESS ASSY., SUB WIRE.....	E11	45	9
BOLT, FLANGE, 6X14	D15	33	19		E4	38	7		E14	48	3
	E3	37	15	CLIP, WIRE HARNESS	D16	34	16	HOLDER, BRUSH.....	E8	42	18
	E11	45	13		E6	40	16	HOLDER, CABLE.....	E9	43	13
BOLT, FLANGE, 6X16	E3	37	19	CLIP, WIRE HARNESS, 6MM	E6	40	15	HOLDER, GOVERNOR WEIGHT.....	D6	24	25
BOLT, FLANGE, 6X20	E3	37	20	CLUTCH COMP., OVERRUNNING.....	E7	41	6	HOLDER, OIL FILTER.....	D4	22	14
	E12	46	19	COIL ASSY., CHARGE	E6	40	4	HOLDER, OIL PIPE.....	D5	23	5
BOLT, FLANGE, 6X22	D6	24	21		E6	40	1	HOUSING COMP., DRIVE SIDE.....	E7	41	7
BOLT, FLANGE, 6X25	D4	22	15	COIL ASSY., IGNITION	E6	40	1	[I]			
	E11	45	14		E6	40	1	INSULATOR, BRUSH HOLDER.....	E8	42	19
	E12	46	20	COLLAR A, AIR CLEANER	D14	32	8	INSULATOR, CARBURETOR.....	D16	34	13
	E14	48	6	COLLAR SET, CLUTCH STOP	E7	41	2	[J]			
			8	COLLAR, EXTENSION	D4	22	21	JET, MAIN,.....	E1	35	21
BOLT, FLANGE, 6X28	E6	40	11	COLLAR, IGNITION COIL	E6	40	2				
BOLT, FLANGE, 6X30	D1	19	13	CONTROL ASSY.	E9	43	3	JET, PILOT,.....	E1	35	22
	D6	24	22				4				
BOLT, FLANGE, 6X32	E6	40	13	COVER SET, AIR VENT	D16	34	9				
BOLT, FLANGE, 6X35	D6	24	22	COVER, AIR CLEANER	D14	32	7				
BOLT, FLANGE, 6X45	D1	19	9	COVER, BREATHER	D3	21	2				
	D4	22	13	COVER, FAN	D14	32	10				
	E6	40	12	COVER, HEAD	D1	19	3				
BOLT, FLANGE, 6X8	D13	31	12	CRANKCASE ASSY.	D3	21	1				
	D15	33	28	CRANKSHAFT COMP.	D7	25	1				
	E3	37	17	CYLINDER COMP.	D1	19	1				

PART NAME INDEX

G 2

Part name	Address	Page	Ref.	Part name	Address	Page	Ref.	Part name	Address	Page	Ref.
[K]				PIPE, EX.	E3	37	7	SHROUD	E14	48	1
KEY, SPECIAL WOODRUFF, 25X18 ·	D7	25	3	PIPE, OIL PUMP	D5	23	3	SLIDER, GOVERNOR	D5	23	9
[L]				PIPE, OIL SUPPLY	D5	23	4	SPACER, RECOIL STARTER			
LEVER, PINION DRIVE	E7	41	4	PISTON	D8	26	2	MOUNTING	D14	32	13
LINK COMP., GOVERNOR	E9	43	10	PLATE, COIL SETTING	E6	40	7	SPRING, BRUSH	E7	41	11
[M]				PLATE, COOLING FAN SETTING	E5	39	2	SPRING, CHOKE RETURN	E9	43	2
MANIFOLD ASSY., INTAKE	D1	19	4	PLATE, SIDE	D14	32	11	SPRING, CONTROL ADJUSTING	E9	43	14
MANIFOLD, INTAKE	D1	19	5	PLATE, VALVE	D3	21	4	SPRING, FRICTION	D13	31	5
MARK, EMBLEM	E13	47	1	PLUG, SPARK	D1	19	14	SPRING, GOVERNOR	E9	43	9
				PROTECTOR COMP., FAN COVER	D14	32	12	SPRING, LEVER	E9	43	12
MARK, HONDA	E13	47	5	PROTECTOR, MUFFLER	E3	37	4	SPRING, RATCHET	D13	31	7
MARK, OPERATOR CAUTION	E13	47	3	PROTECTOR, RR. MUFFLER	E3	37	5	SPRING, STARTER	E9	43	5
				PULLEY COMP., CAMSHAFT	D9	27	1	SPRING, STARTER RETURN	D13	31	6
				PULLEY, RECOIL STARTER	D13	31	3	SPRING, VALVE	D9	27	9
				PULLEY, STARTER	E5	39	3	STARTER ASSY., RECOIL	D13	31	1
				PUMP ASSY., FUEL	E4	38	1	STAY, FUEL PUMP	D14	32	1
				PUMP ASSY., OIL	D5	23	2	STOPPER, VALVE	D3	21	5
				[R]				STRAINER COMP., FUEL	E4	38	3
				RATCHET, STARTER	D13	31	4	STRAP, CABLE, 105MM	E11	45	16
				RECTIFIER ASSY.	E11	45	2	SWITCH ASSY., MAGNET	E7	41	5
				RECTIFIER ASSY., REGULATOR	E11	45	1	SWITCH ASSY., MAGNETIC	E7	41	5
								SWITCH ASSY., OIL PRESSURE	D3	21	10
								[T]			
								TUBE, 4.5X400	E1	35	20
								TUBE, BREATHER	D3	21	9
								TUBE, CORD	E11	45	17
									E14	48	7
								TUBE, DIAPHRAGM	E4	38	2
								TUBE, FUEL, 5.3X100	E4	38	5
								TUBE, FUEL, 5.3X350	E4	38	6
								TUBE, VINYL, 4X7X300	E1	35	19
								[V]			
								VALVE ASSY., SOLENOID	D16	34	12
								VALVE, EX.	D9	27	8
								VALVE, FLOAT	D16	34	2
								VALVE, IN.	D9	27	7
								[W]			
								WASHER, 6X16	D5	23	10
								WASHER, DRAIN PLUG, 20MM	D5	23	18
								WASHER, PLAIN, 6MM	D5	23	17
									D15	33	27
									E9	43	19
								WASHER, TANK SETTING	E6	40	14
								WASHER, THRUST	D7	25	2
								WEIGHT, GOVERNOR	D6	24	24
								[Y]			
								YOKE COMP.	E7	41	14

1

FOREWORD INDEX

2

ENGINE GROUP

3

PART NUMBER INDEX

4

PART NAME INDEX

HONDA
The Power of Dreams



PARTS CATALOGUE NEWS

Honda Motor Co., Ltd. Service Division

PARTS CATALOGUE - CORRECTED

Printed in Japan

CODE NO.	13Z6B602
PARTS CATALOGUE NEWS	GXV520U GXV530U GXV530R
NEWS NO.	001

Block No.	Ref. No.	Note	Part No.	Description	Reqd. QTY			Serial No.	Parts catalogue code
					GXV 520 U	GXV 530 U	GXV 530 R		
E-18	5		91425-Z5Y-801	TUBE, FUEL, 5. 3X100 (FKM)	-	1	-	----- 1010306	SXE2
					-	1	-	1001842 -----	EXA2, SXE3
					-	1	-	1001842 1010306	DXA1, DXA2, EEA1, EXA1, JXA3, PXA1, QEA3, QRA4, QRA5, QXA4 QXA5, QXU3, QXU4, UXE3
	A	91425-Z5Y-802	-	1	-	1010307 -----	DXA1, DXA2, EEA1, EXA1, JXA3, PXA1, QEA3, QRA4, QRA5, QXA4 QXA5, QXU3, QXU4, SXE2, UXE3	
					-	-	1		
	6	L	91425-Z5Y-811	TUBE, FUEL, 5. 3X350 (FKM)	-	1	-	----- 1010306	SXE2
					-	1	-	1001842 -----	EXA2, SXE3
					-	1	-	1001842 1010306	DXA1, DXA2, EEA1, EXA1, JXA3, PXA1, QEA3, QXU3, QXU4, UXE3
	T	91425-Z5Y-812	-	1	-	1010307 -----	DXA1, DXA2, EEA1, EXA1, JXA3, PXA1, QEA3, QXU3, QXU4, SXE2, UXE3	
					-	-	1	----- ----- DXA1, DXA2, EEA1, EXA1, JXA3, PXA1, QEA3, QXU3, QXU4, SXE2, UXE3	

NOTE A:PART NO. CHANGE D:NEWLY PROVIDED E:PART NO. DELETION K:REQUIRED NO. CORRECTION L:APPLICATION SERIAL NO. CORRECTION
T:APPLICATION CORRECTION Z:REMARKS CHANGE



PARTS CATALOGUE NEWS

Honda Motor Co., Ltd. Service Division

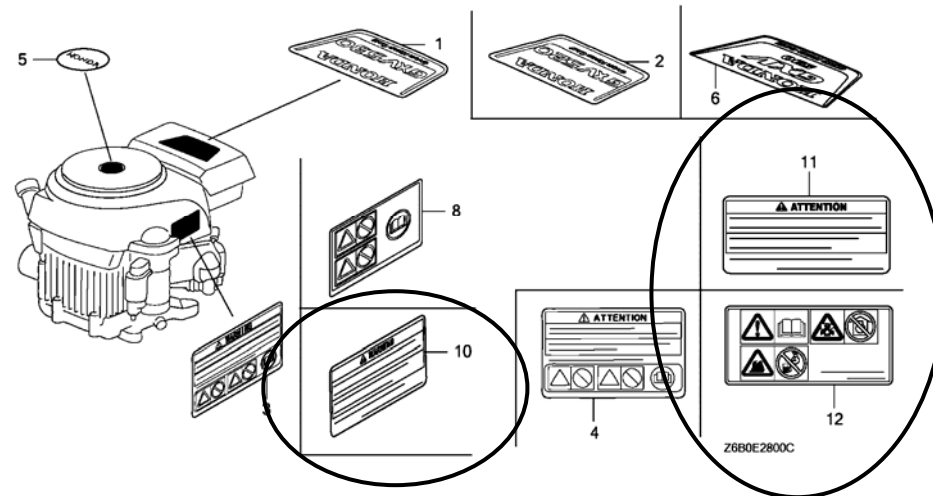
PARTS CATALOGUE - CORRECTED

Printed in Japan

CODE NO.	13Z6B602
PARTS CATALOGUE NEWS	GXV520U GXV530U GXV530R
NEWS NO.	002

Block No.	Ref. No.	Note	Part No.	Description	Reqd. QTY			Serial No.	Parts catalogue code
					GXV 520 U	GXV 530 U	GXV 530 R		

E-28 LABEL



E-28	3	L	87516-ZH7-000	MARK, OPERATOR CAUTION (ENGLISH) (MADE IN JAPAN)	1	-	-	-----	1012612	DXA1, DXA2, EEA1, EXA1, JXA3, QEA3, QRA4, QRA5, QXA4, QXA5, QXU3, QXU4, SXE2, UXE3
------	---	---	---------------	--	---	---	---	-------	---------	--

NOTE A:PART NO. CHANGE D:NEWLY PROVIDED E:PART NO.DELETION K:REQUIRED NO. CORRECTION L:APPLICATION SERIAL NO. CORRECTION T:APPLICATION CORRECTION Z:REMARKS CHANGE

PARTS CATALOGUE NEWS

BOOKNo. : 13Z6B602

Block No.	Ref. No.	Note	Part No.	Description	Reqd. QTY			Serial No.	Parts catalogue code
					GXV 520 U	GXV 530 U	GXV 530 R		
					-	1	-	-----	EXA2, SXE3
	4	L	87516-ZH7-800	MARK, OPERATOR CAUTION (FRENCH) (MADE IN JAPAN)	1	-	-	-----	
					-	1	-	-----	EXA2, SXE3
					-	1	-	-----	1012612 DXA1, DXA2, EEA1, EXA1, JXA3, PXA1, QEA3, QRA4, QRA5, QXA4 QXA5, QXU3, QXU4, SXE2, UXE3
					-	-	1	-----	1012612
		L	87516-ZH7-000	MARK, OPERATOR CAUTION (ENGLISH) (MADE IN JAPAN)	-	1	1	-----	1012612 PXA1
	8	L	87516-ZH7-810	MARK, OPERATOR CAUTION (PICTOGRAPH) (MADE IN JAPAN)	(1)	-	-	-----	
					-	(1)	(1)	-----	1012612
	10	D	87516-ZH7-010	MARK, OPERATOR CAUTION (ENGLISH) (MADE IN JAPAN)	-	1	1	1012613	----- DXA1, DXA2, EEA1, EXA1, JXA3, QEA3, QRA4, QRA5, QXA4, QXA5 QXU3, QXU4, SXE2, UXE3
	11	D	87516-ZH7-010	MARK, OPERATOR CAUTION (ENGLISH) (MADE IN JAPAN)	-	1	1	1012613	----- PXA1
		D	87516-ZH7-801	MARK, OPERATOR CAUTION (FRENCH) (MADE IN JAPAN)	-	1	-	1012613	----- DXA1, DXA2, EEA1, EXA1, JXA3, PXA1, QEA3, QRA4, QRA5, QXA4 QXA5, QXU3, QXU4, SXE2, UXE3
					-	-	1	1012613	
	12	D	87519-ZH7-000	MARK, OPERATOR CAUTION (PICTOGRAPH)	-	1	-	1012613	----- DXA1, DXA2, EEA1, EXA1, JXA3, PXA1, QEA3, QRA4, QRA5, QXA4 QXA5, QXU3, QXU4, SXE2, UXE3
					-	-	1	1012613	

NOTE A:PART NO. CHANGE D:NEWLY PROVIDED E:PART NO. DELETION K:REQUIRED NO. CORRECTION L:APPLICATION SERIAL NO. CORRECTION
T:APPLICATION CORRECTION Z:REMARKS CHANGE