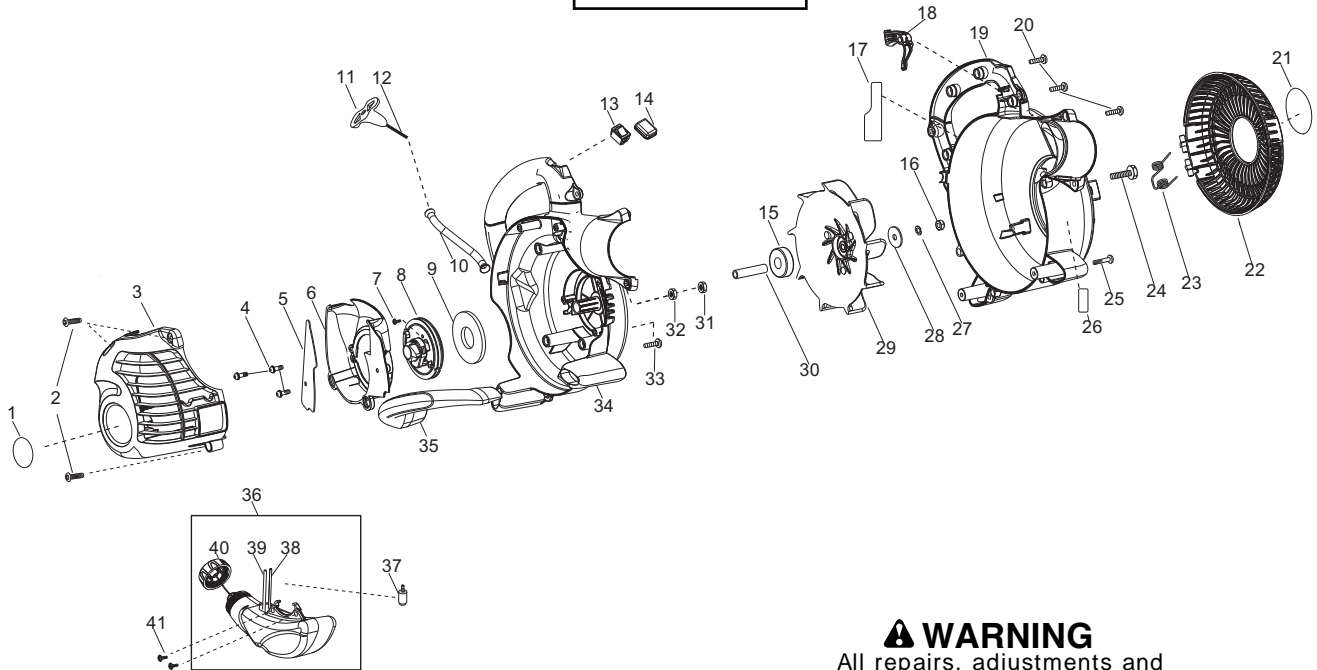


| | | | |
|------------------------------------|--|--|--|
| Parts List No. 545164320 | |  PARTS LIST | MODEL MAC GBV 325 (RoW,EU,A U, RUSS IA) |
| Date 10/01/12 | Replaces 545164320 - 8/02/12 | | NOTE : Illustration may differ from actual model due to design changes. |

TYPE 1,2,3,4



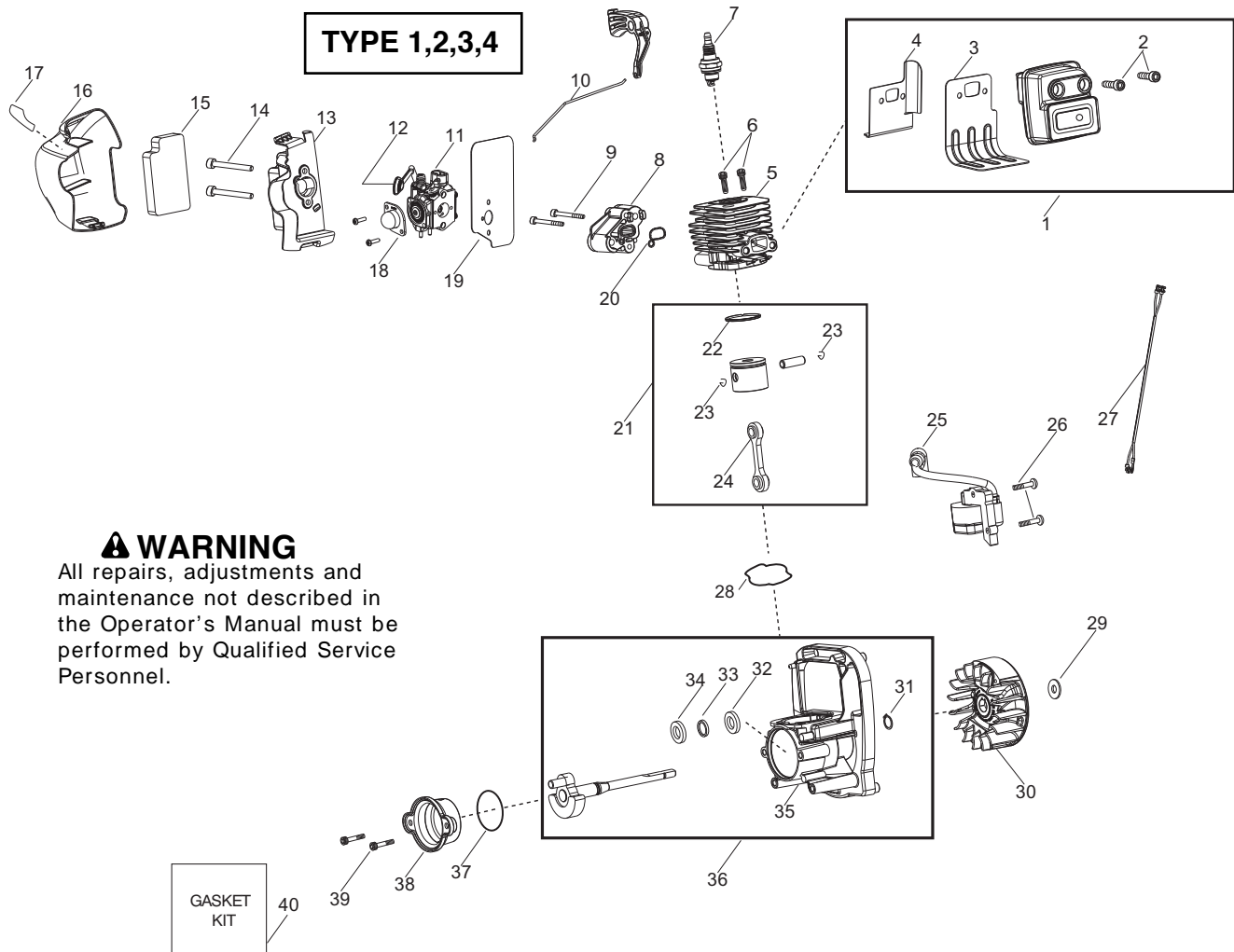
⚠ WARNING
All repairs, adjustments and maintenance not described in the Operator's Manual must be performed by Qualified Service Personnel.

| Ref. | Part No. | Description | Ref. | Part No. | Description |
|------|-----------|-------------------------------------|------|-----------|-----------------------------------|
| 1. | ----- | Decal - Engine Cover | 22. | 545100801 | Door - Vac |
| ✓ | ***** | TYPE 1 | 23. | 545115601 | Spring - Vac Door |
| | 545002941 | TYPE 2,3 | 24. | 545003502 | Screw |
| ✓ | 580779501 | TYPE 4 | 25. | 530016406 | Screw - Handle Vac |
| 2. | 530015814 | Screw | 26. | ----- | Decal - Warning |
| 3. | 545135806 | Assy - Engine Cover | ✓ | ***** | TYPE 1 |
| 4. | 530015880 | Screw | | 577924201 | TYPE 2,3 |
| 5. | 545134001 | Shield - Baffle | ✓ | 580863201 | TYPE 4 |
| 6. | 545099101 | Baffle | 27. | 530092322 | Washer - Lock |
| 7. | 530016391 | Screw | 28. | 545109901 | Washer - Impeller |
| 8. | 545081852 | Kit - Starter Pulley | 29. | 580780901 | Assy-Impeller |
| 9. | 545213601 | Spring - Starter | 30. | ----- | Spacer - Flywheel |
| 10. | 545107101 | Tube - Starter Rope | ✓ | ***** | TYPE 1 |
| 11. | 530054834 | Handle - starter | | 545113701 | TYPE 2 |
| 12. | 545081833 | Kit - Rope | | 576810101 | TYPE 3,4 |
| 13. | 545081830 | Kit - Switch (momentary) (Incl. 14) | 31. | ----- | Locknut |
| 14. | 545128201 | Protector - Switch | ✓ | ***** | TYPE 1 |
| 15. | 545099001 | Bearing | | 530015515 | TYPE 2,3,4 |
| 16. | 530626605 | Nut | 32. | 530015197 | Nut |
| 17. | ----- | Decal - Start | 33. | 530016386 | Screw |
| ✓ | ***** | TYPE 1 | 34. | 574882502 | Assy-Scroll Assy. RH (Incl. 15) |
| | 545165955 | TYPE 2,3 | 35. | 545101201 | Handle - Vac |
| ✓ | 580863702 | TYPE 4 | 36. | 576764901 | Assy - Fuel Tank (Incl. 38,39,40) |
| 18. | 545113802 | Trigger - Throttle | 37. | 530095646 | Assy - Fuel Pickup |
| 19. | 574695403 | Assy - Scroll LH (Incl. 22,23) | 38. | 530069247 | Kit - Fuel Line (carb/purge) |
| 20. | 530015814 | Screw | 39. | 530069216 | Kit - Fuel Line (tank/purge) |
| 21. | ----- | Decal - Vac Door | 40. | 530057973 | Assy - Fuel Cap w/retainer |
| ✓ | ***** | TYPE 1 | 41. | 530016445 | Screw - Fuel Tank Retainer |
| | 545002942 | TYPE 2,3 | | | |
| ✓ | 580781501 | TYPE 4 | | | |

✓ = New Part Number For This IPL

★ = Refer to the Service Reference Indicated for more information.(Located at the END of the IPL)

| | | | |
|------------------------------------|--|---|--|
| Parts List No. 545164320 | |  McGULLOGH PARTS LIST | MODEL MAC GBV 325 (RoW,EU,A U, RUSSIA) |
| Date 10/01/12 | Replaces 545164320 - 8/02/12 | | NOTE : Illustration may differ from actual model due to design changes. |



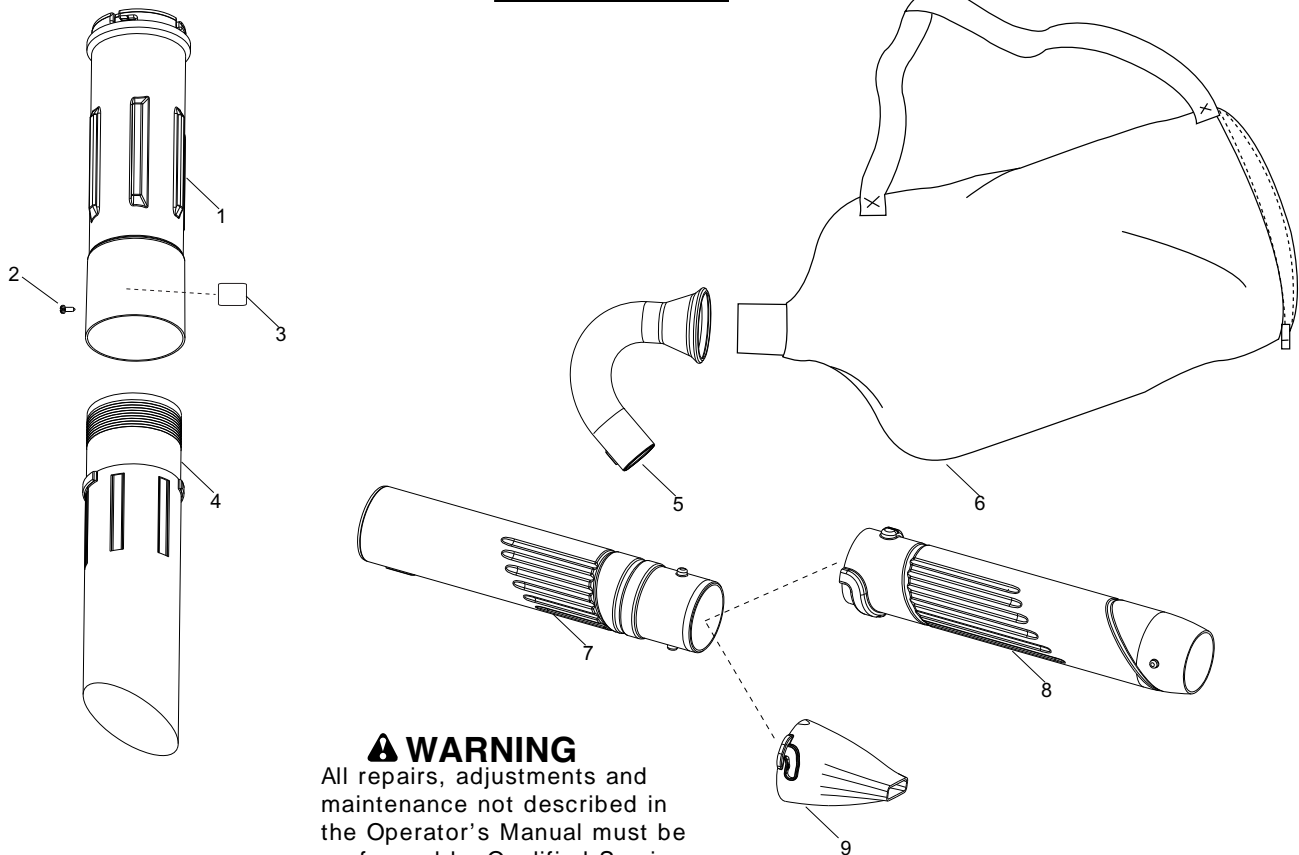
| Ref. | Part No. | Description | Ref. | Part No. | Description |
|------------|-----------|--|--------|-----------|---|
| 1. | 525592801 | Assy - Muffler (Incl. 2,3,4) | 23. | 530015162 | Retainer - Wrist Pin |
| 2. | 530058982 | Bolt | 24. | 545081865 | Kit - Assy. Connecting Rod |
| 3. | ----- | Gasket (Ref.#40) | 25. | 545158001 | Module - Ignition |
| 4. | 545098801 | Shield - Muffler Heat | 26. | 530016357 | Screw |
| 5. | 545115301 | Cylinder | 27. | 545127601 | Assy - Wire Harness |
| 6. | 530015953 | Bolt | 28. | ----- | O-Ring (Ref.#40) |
| 7. | 952030249 | Spark Plug (RCJ-6Y) | 29. | 530015828 | Washer |
| 8. | 545084901 | Adapter - Carb. | 30. | ----- | Assy - Flywheel |
| 9. | 530016441 | Screw | ✓★★★★★ | 545197301 | TYPE 1 |
| 10. | 545115501 | Linkage - Throttle | | 530054115 | TYPE 2 |
| 11. | 545081855 | Kit - Carb. Assy (WT875A) (Incl. 12,18) | | 530015941 | TYPE 3,4 |
| 12. | 545157103 | Lever- Choke (Red) | 31. | 530015941 | Retainer - Crankshaft |
| 13. | 545112602 | Base - Airbox | 32. | 530055728 | Bearing - Outer |
| 14. | 530016429 | Screw | 33. | 530019264 | Seal |
| 15. | 545116801 | Filter | 34. | 530032125 | Bearing - Inner |
| 16. | 545112702 | Cover - Air Box Filter | 35. | 530012582 | Assy - Crankcase (Incl. 32,33,34) |
| 17. | ----- | Decal - 1/2 choke | 36. | ----- | Assy - Crankcase & Crankshaft (Incl. 31,35) |
| ✓★★★★★ | | TYPE 1 | ✓★★★★★ | 545102102 | TYPE 1 |
| 545165907 | | TYPE 2,3 | | 579012701 | TYPE 2 |
| ✓580863301 | | TYPE 4 | | 579012701 | TYPE 3,4 |
| 18. | 530035497 | Bulb - Purge (walbro 188-16) | 37. | ----- | O-Ring (Ref.#38,40) |
| 19. | ----- | Gasket (Ref.#40) | 38. | 530057954 | Assy - Rear Plug (Incl. 37) |
| 20. | ----- | O-Ring (Ref.#40) | 39. | 530016386 | Screw |
| 21. | 545081864 | Kit - Piston / Connecting Rod (Incl. 22,23,24) | 40. | 545081832 | Kit - Gasket (Incl. 3,19,20,28,37) |
| 22. | 545154009 | Ring - Piston | | | |

✓ = New Part Number For This IPL

★ = Refer to the Service Reference Indicated for more information.(Located at the END of the IPL)

| | | | |
|------------------------------------|--|--|--|
| Parts List No. 545164320 | |  McGULLOGH PARTS LIST | MODEL MAC GBV 325 (RoW,EU,A U, RUSS IA) |
| Date 10/01/12 | Replaces 545164320 - 8/02/12 | | NOTE : Illustration may differ from actual model due to design changes. |

TYPE 1,2,3,4



⚠ WARNING
All repairs, adjustments and maintenance not described in the Operator's Manual must be performed by Qualified Service Personnel.

| Ref. | Part No. | Description |
|------|-----------|-------------------------------|
| 1. | 545099401 | Tube - Upper Vac |
| 2. | 545144101 | Screw |
| 3. | 530402633 | Decal - Screw |
| 4. | 545141001 | Tube - Lower Vac |
| 5. | 575873501 | Tube - J |
| 6. | 530095564 | Assy - Vac Bag |
| 7. | 545167801 | Tube - Upper Blower w/barrier |
| 8. | 545100601 | Tube - Lower Blower |
| 9. | 545151201 | Nozzle - High Speed |

✓ = New Part Number For This IPL

★ = Refer to the Service Reference Indicated for more information.(Located at the END of the IPL)

| | | | |
|------------------------------------|--|--|--|
| Parts List No. 545164320 | |  McGULLOGH PARTS LIST | MODEL MAC GBV 325 (RoW,EU,A U,RUSSIA) |
| Date 10/01/12 | Replaces 545164320 - 8/02/12 | | NOTE : Illustration may differ from actual model due to design changes. |

******* Service Reference *******

Note : Please refer to the TYPE NUMBER and SKU NUMBER on your unit and order the parts below.

Ref.# 1 - Page 1 - Decal - Engine Cover

(SKU# 952715703 Type 1 - Use 545002941 decal)

(SKU# 952715735 Type 1 - Use 545002941 decal)

(SKU# 967167101 Type 1 - Use 580779501 decal)

Ref.# 17 - Page 1 - Decal - Start

(SKU# 952715703 Type 1 - Use 545165955 decal)

(SKU# 952715735 Type 1 - Use 545165955 decal)

(SKU# 967167101 Type 1 - Use 580863702 decal)

Ref.# 21 - Page 1 - Decal - Vac Door

(SKU# 952715703 Type 1 - Use 545002942 decal)

(SKU# 952715735 Type 1 - Use 545002942 decal)

(SKU# 967167101 Type 1 - Use 580781501 decal)

Ref.# 26 - Page 1 - Decal - Warning

(SKU# 952715703 Type 1 - Use 577924201 decal)

(SKU# 952715735 Type 1 - Use 545052802 decal)

(SKU# 967167101 Type 1 - Use 580863201 decal)

Ref.# 30 - Page 1 - Spacer - Flywheel

(SKU# 952715703 Type 1 - Use 545113701 spacer)

(SKU# 952715735 Type 1 - Use 545113701 spacer)

(SKU# 967167101 Type 1 - Use 576810101 spacer)

Ref.# 31 - Page 1 - Locknut

(SKU# 952715703 Type 1 - N/A)

(SKU# 952715735 Type 1 - N/A)

(SKU# 967167101 Type 1 - Use 530015515 locknut)

Ref.# 17 - Page 2 - Decal - Start Position

(SKU# 952715703 Type 1 - Use 545165907 decal)

(SKU# 952715735 Type 1 - Use 545165907 decal)

(SKU# 967167101 Type 1 - Use 580863301 decal)

Ref.# 30 - Page 2 - Assy - Flywheel

(SKU# 952715703 Type 1 - Use 545197301 flywheel)

(SKU# 952715735 Type 1 - Use 545197301 flywheel)

(SKU# 967167101 Type 1 - Use 530054115 flywheel)

Ref.# 36 - Page 2 - Assy - Crankcase & Crankshaft

(SKU# 952715703 Type 1 - Use 545102102 assy. crankcase)

(SKU# 952715735 Type 1 - Use 545102102 assy. crankcase)

(SKU# 967167101 Type 1 - Use 579012701 assy. crankcase)