

142300 to 142457

Illustrated Parts List

MODEL SERIES

142300 to 142457

TYPE NUMBERS

0010 to 0076

0110 to 0319

502000 to 502139

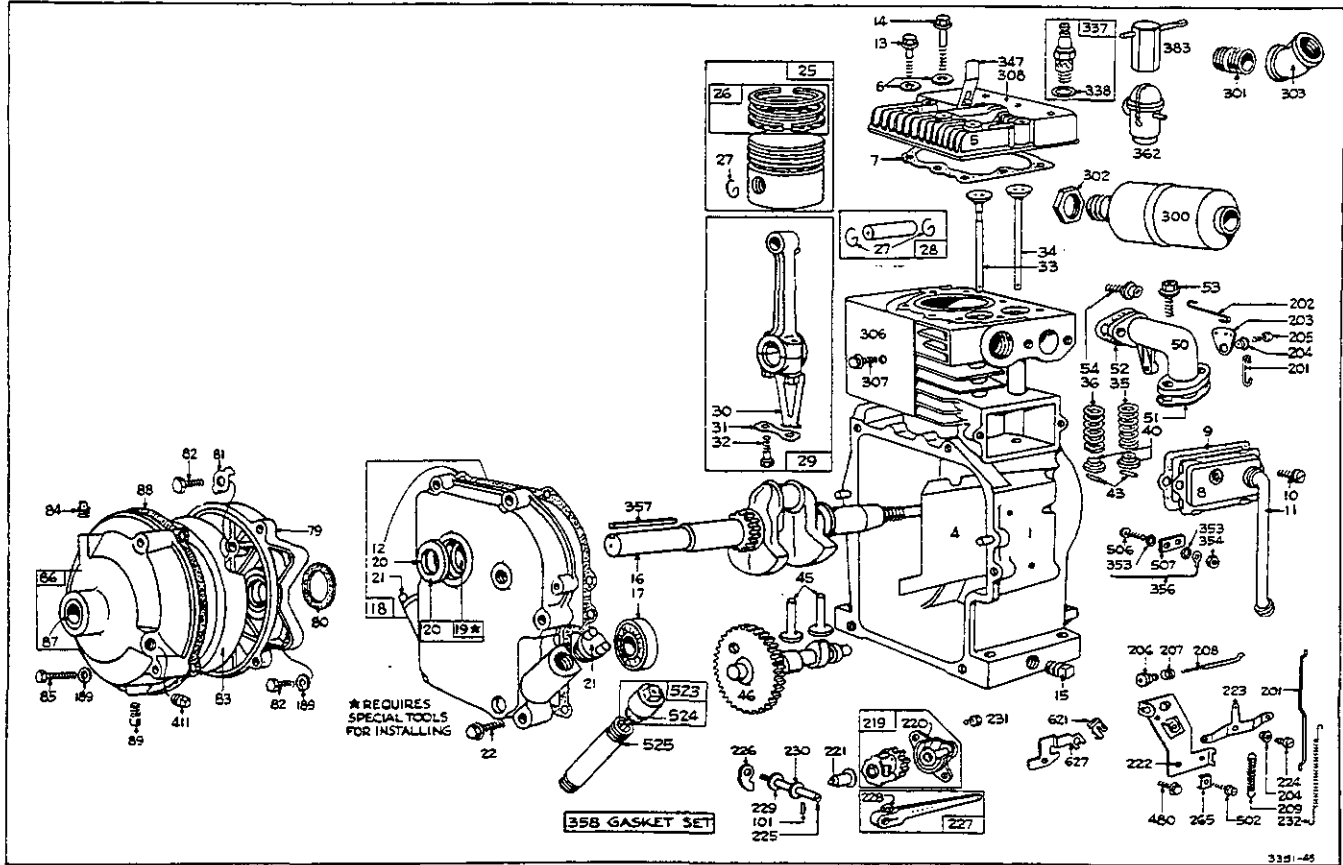
TO FIND THE CORRECT NUMBER OF THE PART YOU NEED: FOLLOW THE INSTRUCTIONS BELOW.

- A. Refer to Engine Model, Type and Code Number (formerly Serial Number) that is stamped on the blower housing or name plate of engine. (Engine type numbers such as 502138 are listed complete. Engine type numbers such as 0147 01 are listed herein only as 0147. The two digits (01 or 02, etc.) to the right of the space are not needed for parts identification). Then use the Illustrated Parts List covering these Model Series.
- B. Refer to Illustrated Parts section and compare the old part with illustration. The number on the illustration is the Reference Number. Assemblies include all parts shown in frames. All parts shown in assembly frames on which individual reference numbers are given can be purchased separately.
- C. After the Reference Number has been identified, refer to the Numerical Parts List, where Reference and Master Part Numbers are listed. **THE MASTER PART IS USED ON ALL TYPE NUMBERS EXCEPT THOSE TYPE NUMBERS UNDER "NOTE"**.
- D. If a "Note" appears below the Master Part Number, this means that this part differs from the Master Part for certain types. If the Type Number is listed under "Note", order the part referred to.
- E. If the Engine Type Number does not appear after any part number listed under "Note", use the Master Part Number.
- F. For Type Numbers higher than those covered by this book, please refer to the factory if you are unable to identify the part by comparison.

PRINTED IN U.S.A.

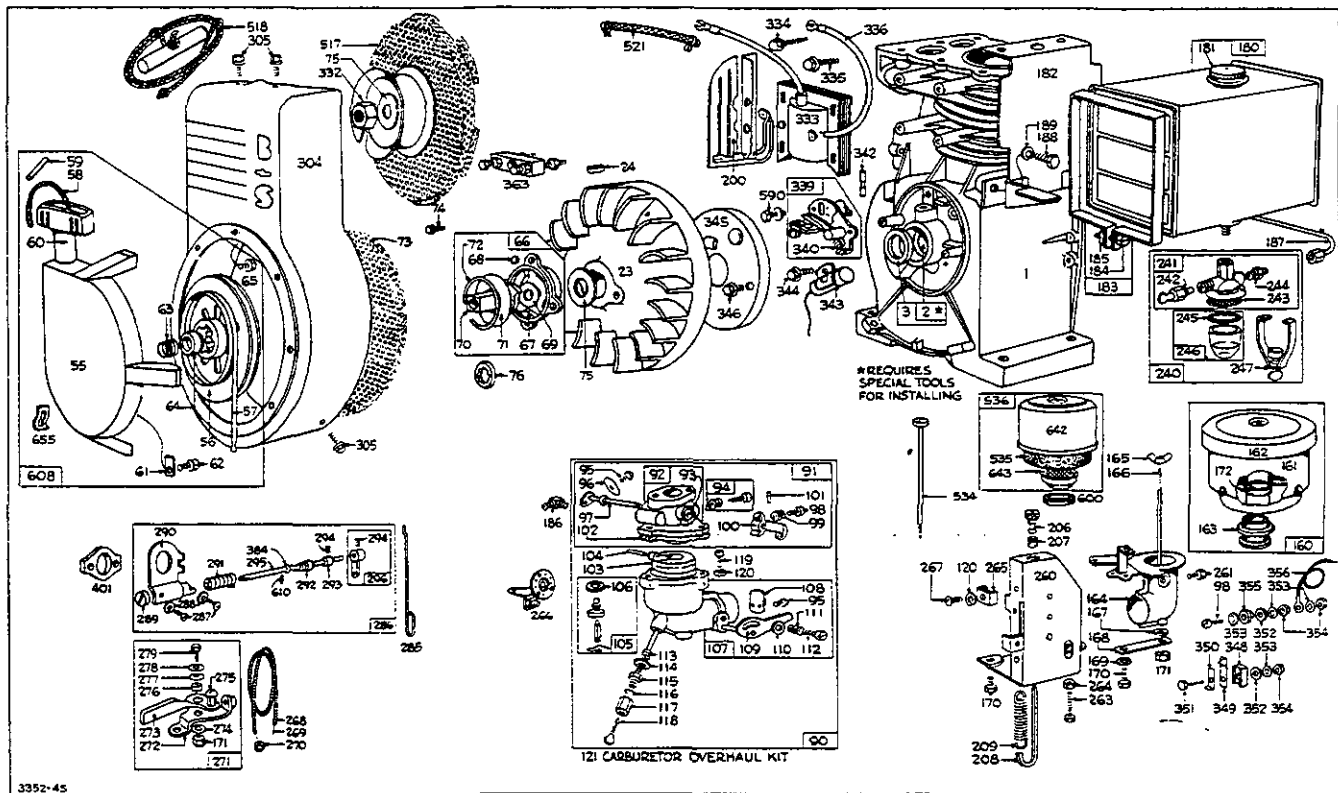


142300 to 142457



CYLINDER, PISTON, CONNECTING ROD AND CRANKSHAFT PARTS

Assemblies include all parts shown in frames.



FUEL SYSTEM, MAGNETO AND BLOWER HOUSING PARTS

Assemblies include all parts shown in frames.

142300 to 142457

REF. NO.	PART NO.	DESCRIPTION	REF. NO.	PART NO.	DESCRIPTION	REF. NO.	PART NO.	DESCRIPTION
1	299166	Cylinder Assembly		0132, 0136, 0140, 0144,				502058, 502059, 502099,
2	295962	Bushing-Cylinder		0151, 0176, 0189, 0193,				502134.
	Note:	Requires special tools for installation.		0222, 0238, 0240, 0245,				260609 Crankshaft
3	294606	Seal-Oil		0260, 0261, 0263, 0265,				Used on type Nos.
4	221001	Plate-Cylinder Baffle		0267, 0269, 0277, 0287,				0131, 502097, 502124.
5	210578	Head-Cylinder		0290, 0298, 0301,				260663 Crankshaft
6	22963	Washer-Plain		0303, 0304,				Used on type No. 0191.
7	*270340	Gasket-Cylinder Head		502020, 502021, 502022,				260667 Crankshaft
	Note:	Two No. 270340 Cylinder Head Gaskets are used on type Nos. 0203, 0274, 502131, 502132.		502023, 502024, 502030,				Used on type Nos.
8	294948	Breather Assembly		502032, 502045, 502052,				0236, 0283,
9	*27803	Gasket-Valve Cover		502055, 502067, 502073,				502109, 502110, 502135.
10	93394	Screw-Breather Mtg. Sem		502081, 502082, 502092,				260865 Crankshaft
11	67068	Tube-Breather		502105, 502116, 502117,				Used on type No. 0314.
12	*27750	Gasket-Crankcase Cover-1/64" thick		502130.		17	29530	Bearing-Ball
	*27876	Gasket-Crankcase Cover-.005" thick		260423 Crankshaft		18	295868	Cover Assy.-Crankcase
	*27877	Gasket-Crankcase Cover-.009" thick		Used on type Nos.			Note:	295872 Cover Assembly-Crankcase
13	93210	Screw-Cylinder Head (2-9/32" long)		0036, 0184, 0306, 0310,				Used on type Nos.
	Note:	93211 Screw-Cylinder Head (2-21/32" long) Used on type No. 502129 where tank bracket mounts to Cylinder Head.		502029, 502050, 502060,				0139, 0312, 502129.
14	93211	Screw-Cylinder Head (2-9/16" long)		502123.				295876 Cover Assembly-Crankcase
15	91084	Plug-Oil Drain		260425 Crankshaft				Used on type Nos.
	Note:	92814 Plug-Oil Drain Used on type No. 502125.		Used on type Nos. 0035,				0010, 0015, 0016, 0135,
		93418 Plug-Oil Drain Used on type Nos. 0152, 0153, 0155, 0205, 0206, 0207, 0216, 0217, 0218, 0223, 0224, 0241, 0249, 0300, 502099.		0071, 0125, 0126, 0137,				0145, 0171, 0205, 0206,
16	260315	Crankshaft		0138, 0150, 0156, 0157,				0207, 0216, 0217, 0218,
	Note:	260358 Crankshaft Used on type Nos. 0037, 0055, 0115, 0116, 0117, 0127, 0128, 0143, 0194, 0232, 0255, 0293, 0311, 502015, 502016, 502017, 502018, 502019, 502026, 502037, 502038, 502051.		0173, 0174, 0183, 0185,				0223, 0224, 0241, 0248,
		260359 Crankshaft Used on type Nos. 0070, 0195, 0225, 0229, 0233, 0253, 0254, 0268, 0282, 0299, 502031, 502042, 502053, 502096, 502104, 502106.		0186, 0188, 0190, 0192,				0249, 0300, 0318,
		260389 Crankshaft Used on type Nos. 0049, 0075, 0120, 0121,		0228, 0230, 0231, 0234,				502039, 502040, 502046,
				0235, 0237, 0243, 0244,				502047, 502048, 502099,
				0246, 0247, 0251, 0264,				502111, 502134.
				0274, 0275, 0276, 0280,				295958 Cover Assembly-Crankcase
				0284, 0286, 0291, 0302,				Used on type Nos.
				0307, 0309, 0317,				0035, 0036, 0037, 0070,
				502035, 502043, 502049,				0071, 0115, 0116, 0117,
				502054, 502061, 502062,				0127, 0128, 0137, 0138,
				502070, 502071, 502076,				0143, 0150, 0173, 0174,
				502080, 502083, 502084,				0182, 0183, 0184, 0185,
				502086, 502089, 502091,				0186, 0188, 0190, 0191,
				502093, 502103, 502119,				0192, 0195, 0196, 0200,
				502131, 502132, 502136,				0201, 0203, 0220, 0225,
				502137, 502138.				0226, 0228, 0229, 0230,
				260472 Crankshaft				0231, 0232, 0233, 0234,
				Used on type Nos.				0235, 0237, 0243, 0244,
				0129, 0141, 0172, 0175,				0246, 0247, 0253, 0254,
				0182, 0187, 0200, 0202,				0264, 0268, 0274, 0275,
				0204, 0212, 0213, 0262,				0276, 0280, 0282, 0284,
				0279, 0305,				0286, 0291, 0293, 0299,
				502028, 502033, 502036,				0302, 0305, 0306, 0307,
				502041, 502068, 502090,				0309, 0310, 0311, 0314,
				502100, 502101, 502102,				0317, 502015,
				502108, 502114, 502127.				502016, 502017, 502018,
				260498 Crankshaft				502019, 502026, 502029,
				Used on type Nos.				502031, 502033, 502037,
				0201, 0226, 502088.				502042, 502043, 502049,
				260586 Crankshaft				502050, 502051, 502053,
				Used on type Nos.				502054, 502060, 502061,
				0145, 0266, 502039.				502062, 502063, 502068,
				260607 Crankshaft				502070, 502076, 502080,
				Used on type Nos.				502084, 502086, 502088,
				0169, 0171, 0205, 0206,				502089, 502093, 502096,
				0207, 0208, 0209, 0216,				502102, 502103, 502104,
				0217, 0218, 0248, 0259,				502106, 502108, 502119,
				0270, 0271, 0292, 0300,				
				0312, 0315, 0318,				

* Included in Gasket Set-Part No. 295970.

REF. NO.	PART NO.	DESCRIPTION	REF. NO.	PART NO.	DESCRIPTION	REF. NO.	PART NO.	DESCRIPTION	
		502123, 502131, 502132, 502136, 502137, 502138. 296075 Cover Assembly—Crankcase Used on type Nos. 0049, 0075, 0120, 0121, 0132, 0136, 0140, 0144, 0151, 0176, 0189, 0193, 0222, 0238, 0240, 0245, 0260, 0261, 0263, 0265, 0267, 0269, 0277, 0287, 0290, 0298, 0301, 0303, 0304, 502020, 502021, 502022, 502023, 502024, 502030, 502032, 502045, 502052, 502055, 502067, 502073, 502081, 502082, 502090, 502092, 502105, 502116, 502117, 502130. 296184 Cover Assembly—Crankcase Used on type Nos. 0125, 0126, 0129, 0141, 0156, 0157, 0172, 0187, 0202, 0212, 0213, 0214, 0236, 0251, 0262, 502028, 502035, 502036, 502041, 502071, 502083, 502091, 502100, 502101, 502114, 502127. 297407 Cover Assembly—Crankcase Used on type Nos. 0131, 0279, 502097, 502124. 297533 Cover Assembly—Crankcase Used on type Nos. 0055, 0255, 0283. 298129 Cover Assembly—Crankcase Used on type Nos. 0130, 502107.	25	297692	Piston Assembly—Std.				Piston, Oil, .020" O. S.
				297693	Piston Assembly— .010" O. S.				
				297694	Piston Assembly— .020" O. S.	297707		Ring Set—Piston— .030" O. S. Consists of: 211243 Ring— Piston, Comp., Top, .030" O. S. 211246 Ring— Piston, Comp., Center, .030" O. S. 211249 Ring— Piston, Oil, .030" O. S.	
				297695	Piston Assembly— .030" O. S.				
				PISTON RING SETS:					
				Note: For Chrome Piston Ring Set — standard size — order Part No. 298745.					
			26	297815	Ring Set—Piston—Std. Consists of: 210600 Ring— Piston, Comp., Top, Std. 211037 Ring— Piston, Comp., Center, Standard 210602 Ring— Piston, Oil, Std.				
				297705	Ring Set—Piston— .010" O. S. Consists of: 211241 Ring— Piston, Comp., Top, .010" O. S. 211244 Ring— Piston, Comp., Center, .010" O. S. 211247 Ring— Piston, Oil, .010" O. S.				
				297706	Ring Set—Piston— .020" O. S. Consists of: 211242 Ring— Piston, Comp., Top, .020" O. S. 211245 Ring— Piston, Comp., Center, .020" O. S. 211248 Ring—				
19	295964	Bushing — Crankcase Cover Note: Requires special tools for installation.				27	68546	Lock—Piston Pin	
20	298423	Seal—Oil				28	295840	Pin Assembly—Standard	
21	66768	Plug—Oil Filler Note: 298859 Oil Minder Used on type No. 0180. 298860 Oil Minder Used on type No. 0191.					295841	Pin Assy. — .005" O. S.	
22	93205	Screw—Crankcase Cover Mounting Sem				29	295838	Rod Assy.—Connecting	
23	295214	Flywheel Note: 296335 Flywheel—Magneto Used on type Nos. 0114, 0129, 0207, 0208, 0217, 0248, 0260, 502014, 502019, 502024, 502101.				30	220837	Dipper—Connecting Rod	
24	61760	Key—Flywheel				31	220811	Lock—Conn. Rod Screw	
						32	92659	Screw—Connecting Rod	
						33	230385	Valve—Exhaust Note: 260444 Valve—Exhaust Used on type Nos. 0191, 0193, 0195, 0226, 0229, 0240, 0243, 0244, 0246, 0247, 0261, 0268, 0269, 0282, 0287, 0293, 0306, 0310, 0316, 0317, 502031, 502033, 502042, 502060, 502088, 502104, 502106, 502136, 502137.	
						34	230386	Valve—Intake Note: 230385 Valve—Intake Used on type Nos. 0191, 0193, 0195, 0226, 0229, 0240, 0243, 0244, 0246, 0247, 0261, 0268, 0269, 0282, 0287, 0293, 0306, 0310, 0316, 0317, 502031, 502033, 502042, 502060, 502088, 502104, 502106, 502136, 502137.	
						35	65906	Spring—Intake Valve	
						36	65906	Spring—Exhaust Valve Note: 26828 Spring—Exhaust Valve Used on type Nos. 0191, 0193, 0195, 0226, 0229, 0240, 0243, 0244, 0246, 0247, 0261, 0268, 0269, 0282, 0287, 0293, 0306, 0310, 0316, 0317, 502031, 502033, 502042, 502060, 502088, 502104, 502106, 502136, 502137.	

* Included in Gasket Set—Part No. 295970.

142300 to 142457

REF. NO.	PART NO.	DESCRIPTION	REF. NO.	PART NO.	DESCRIPTION	REF. NO.	PART NO.	DESCRIPTION
40	230477	Retainer-Valve Spring	61	66918	Bumper-Starter Pulley			502036, 502038, 502064,
	Note:	292260 Rotocap-Exhaust Valve	62	93254	Screw-Pulley Bumper Mounting Sem			502090, 502094, 502114,
		Used on type Nos. 0191, 0193, 0195, 0226, 0229, 0240, 0243, 0244, 0246, 0247, 0261, 0268, 0269, 0282, 0287, 0293, 0306, 0310, 0316, 0317, 502031, 502033, 502042, 502060, 502088, 502104, 502106, 502107, 502137.	63	260414	Spring-Ratchet	79	296179	Case Assembly-Gear
43	230476	Pin-Valve Spring Ret.	64	230543	Adapter-Ratchet Spring	80	27884	Gasket-Gear Case to Crankcase Cover
	Note:	230570 Pin-Ex. Valve Rotocap Retainer	65	93163	Screw-Rewind Starter Housing Mounting Sem			502122, 502125, 502126, 502134.
		230569 Retainer-Exhaust Valve Rotocap		Note:	230796 Nut-Starter Mounting (4)	81	220234	Lock-Gear Case Mounting Screw
		Used on type Nos. 0191, 0193, 0195, 0226, 0229, 0240, 0243, 0246, 0247, 0261, 0268, 0269, 0282, 0287, 0293, 0306, 0310, 0316, 0317, 502031, 502033, 502042, 502060, 502088, 502104, 502106, 502136, 502137.			93420 Screw-Starter Mounting (4)	82	92502	Screw-Cap
45	260125	Tappet-Valve			92290 Washer-Lock (4)	83	296052	Shaft Assembly-Drive
46	210728	Gear-Cam			90289 Nut-Square (4)		Note:	296298 Shaft Assy. - Drive
50	210705	Elbow-Intake	66	295684	Clutch Assy.-Rewind Starter			Used on type Nos. 0140, 0176, 0290, 502116.
51	†*65647	Gasket-Intake Elbow		Note:	298339 Clutch Assy. - Rewind Starter	84	92617	Plug-Breather
52	*27828	Gasket-Intake Elbow Mtg.			Used on type Nos. 0055, 0145, 0255, 0266.	85	91386	Screw-Gear Case Cover Mounting
53	93357	Screw-Sem	67	210400	Housing-Rewind Starter Clutch	86	296053	Cover Assy.-Gear Case Seal-Oil
	Note:	93158 Screw-Sem		Note:	211373 Housing-Rewind Starter Clutch	87	298423	Gasket-Gear Case Cover
		Used to mount Belt Guard to Bracket on type Nos. 0131, 0141, 0143, 0153, 0182, 0204, 0213, 0214, 0224, 0236, 0243, 0244, 0249, 0257, 0258, 0297, 0302, 502068, 502095, 502097, 502102, 502109, 502120, 502124.			Used on type Nos. 0055, 0145, 0255, 0266.	88	27328	Plug-Oil Drain
54	93208	Screw-Intake Elbow Mounting Sem	68	63770	Ball-Clutch	89	91488	Carburetor Assembly (Manual Choke)
	Note:	92683 Screw-Intake Elbow Mounting Sem	69	66718	Washer-Starter Clutch, Thrust	90	295857	Carburetor No. 295857 is used on Model 142300 Series engines except as follows:
		Used on type Nos. 0253, 502033.	70	296916	Ratchet-Rewind Starter Clutch		Note:	295942 Carburetor Assy. (Choke-A-Matic)
55	295272	Housing-Rewind Starter	71	221301	Washer-Retainer (with flange)			Used on type Nos. 0146, 0159, 0178, 0250, 0257, 0292, 502047, 502056, 502057, 502064, 502090, 502094, 502095, 502109, 502110, 502121.
	Note:	298402 Housing-Rewind Starter		Note:	220575 Washer-Retainer			296090 Carburetor Assy. (Mechanical Governor-Manual Choke)
		Used on type Nos. 0055, 0145, 0255, 0266.	72	26032	Ring-Clutch Retainer			(Used on Model 142400 Series)
56	295871	Pulley-Rewind Starter	73	220823	Screen-Rewind Starter			296557 Carburetor Assy. (Kerosene)
57	294303	Spring-Rewind Starter		Note:	221668 Screen-Rewind Starter			Used on type Nos. 0203, 0274, 502131, 502132.
58	66564	Rope-Rewind Starter (63" long)	74	93042	Screw-Rotating Screen Mounting Sem			297469 Carburetor Assy. Automatic Choke-Mechanical Governor
	Note:	If longer rope is needed, order No. 66574 and cut to required length.		Note:	93014 Screw-Rotating Screen Mounting Sem			Used on type No. 0253.
59	230228	Pin-Starter Grip	75	220865	Washer-Spring			297470 Carburetor Assy. (Automatic Choke-Mechanical Governor)
60	66728	Grip-Starter Rope	76	66688	Washer-Ratchet Sealing (Used with 7 point shank ratchet).			Used on type No. 502033.
				Note:	270045 Washer-Ratchet Sealing			297684 Carburetor Assy. (L. P. Gas)
					260517 Spring-Ratchet Sealing Washer	91	295859	Body Assembly-Upper Carburetor (Used on Model 142300 Series).
					Used on type Nos. 0055, 0133, 0142, 0152, 0154, 0155, 0158, 0176, 0178, 0194, 0202, 0210, 0216, 0255, 0262, 502028,		Note:	296089 Body Assembly-Upper Carburetor.

* Included in Gasket Set-Part No. 295970.

† Included in Carburetor Overhaul Kit-Part No. 295938.

REF. NO.	PART NO.	DESCRIPTION	REF. NO.	PART NO.	DESCRIPTION	REF. NO.	PART NO.	DESCRIPTION
		(Used on Model 142400 Series).			Used on type Nos. 0253, 502033.			Note: 296319 Cleaner Assy. - Air (United Specialties Label) Used on type No. 502030.
		297683 Body Assembly—Upper Carburetor	108	62872	Valve—Choke			
		Used on type Nos. 0244, 502136.		Note:	22954 Valve—Choke			
92	295858	Body—Upper Carburetor	109	295374	Shaft and Lever—Choke	161	296704	Bowl—Air Cleaner
	Note:	296725 Body—Upper Carburetor		Note:	295372 Shaft Assembly—Choke (Choke-A-Matic)	162	296270	Cover and Filter - Air Cleaner
		Used on type Nos. 0244, 502136.			Used on type Nos. 0146, 0159, 0178, 0250, 0257, 0292, 502047,	163	*27907	Gasket—Air Cleaner Mtg. For Oil Bath and Rectangular Foam Type Air Cleaners.
93	23108	Bushing—Throttle Shaft			502056, 502057, 502064, 502090, 502094, 502095, 502109, 502110, 502121.	164	298595	Pipe Assy.—Air Cleaner (For Round Foam Type Air Cleaner)
94	†292681	Valve Assembly—Carburetor Idle			296847 Shaft, Lever and Vane Assembly—Automatic Choke			Used after Serial No. 423825 on Model 143300 Series engines except those with Speed Control Housing (Ref. No. 260).
95	93038	Screw—Throttle and Choke Valve Mtg. Sem			Uses: 291040 Lever and Weight Assembly			Note: 295378 Pipe Assy.—Air Cleaner (For Oil Bath and Rectangular Foam Type) (Used before Serial No. 423826 only on Model 142300 Series except those with Speed Control Housing (Ref. No. 260).
96	62940	Valve—Throttle			Includes: 90200 Screw (for mounting)			298410 Pipe Assembly—Air Cleaner (For Round Foam Type Air Cleaner) Used after Serial No. 423825 on Model 1424 Series engines; also used on Model 1423 Series engines with Speed Control Housing (Ref. No. 260); except type Nos. 0139, 0154, 0158, 0176, 0202, 0236, which use Part No. 295593.
97	295294	Shaft and Lever—Throttle (Used on Model 142300 Series).	110	62899	Used on type Nos. 0253, 502033.			
	Note:	296293 Shaft and Lever—Throttle	111	26155	Washer—Choke Lever			
		(Used on Model 142400 Series).		Note:	Spring—Choke Lever			
98	91920	Screw—Machine, Fil. Hd.—8-32 x 5/8"			260368 Spring—Choke Return (Choke-A-Matic)			
99	26157	Spring—Throttle Adjustment			Used on type Nos. 0146, 0159, 0178, 0250, 0257, 0292, 502047,			
100	295804	Stop—Throttle (Used on Model 142300 Series).			502056, 502057, 502064, 502090, 502094, 502095, 502109, 502110, 502121.			
	Note:	61967 Stop—Throttle (Used on Model 142400 Series).	112	23123	Screw—Choke Lever			
101	93043	Pin—Throttle Stop and Governor Shaft	113	†296286	Nozzle—Carburetor			
102	†27918	Gasket—Carburetor Body		Note:	296619 Nozzle—Carb.			
103	99333	Float—Carburetor			Used on type Nos. 0070, 0127, 0128, 0185, 0186, 0195, 0225, 0229, 0233, 0247, 0253, 0254, 0262, 0268, 0282, 0299,			
104	†23114	Pin—Float Hinge			502026, 502031, 502037, 502042, 502053, 502061, 502062, 502096, 502104.			
105	†293962	Valve and Seat—Fuel Inlet	114	†68667	Gasket—Nozzle			
	Note:	297102 Valve and Seat—Fuel Inlet	115	†23117	Retainer—Needle Valve			
		Used on type No. 502033.		Note:	292226 Retainer Assy.—Jet Needle			Note: 295593 Pipe Assembly—Air Cleaner (For Round Oil Bath or Rectangular Foam Type Air Cleaners) Used before Serial No. 423826 on Model 142400 Series engines; also on Model 142300 Series engines using a Speed Control Housing (See Ref. No. 260) and on all type Nos. 0139, 0154, 0158, 0176, 0202, 0236, 0236.
106	27639	Gasket—Fuel Inlet Valve Seat	116	†68677	Packing—Needle Valve			
107	295860	Body Assembly—Lower Carburetor	117	†23118	Nut—Needle Valve Pkg.			
	Note:	295883 Body Assembly—Lower Carburetor (Choke-A-Matic)	118	†230009	Valve—Needle			
		Used on type Nos. 0146, 0159, 0178, 0250, 0257, 0292, 502047,		Note:	230085 Valve—Needle			
		502056, 502057, 502064, 502090, 502094, 502095, 502109, 502110, 502121.			Used on type Nos. 0203, 0274, 502131, 502132.			
		296727 Body Assembly—Lower Carburetor	119	90746	Screw—Machine, Fil. Hd.—10-32 x 5/8"			
		Used on type Nos. 0244, 502136.	120	92290	Washer—Lock—No. 10 x 1/16" x 3/64"			
		297496 Body Assembly—Lower Carburetor	121	295938	Carburetor Overhaul Kit			
			160	296434	Cleaner Assembly—Air	165	93453	Nut—Wing
							Note:	92067 Nut—Wing

* Included in Gasket Set—Part No. 295970.

◆ Included in Carburetor Overhaul Kit—Part No. 291691.

† Included in Carburetor Overhaul Kit—Part No. 295938.

142300 to 142457

REF. NO.	PART NO.	DESCRIPTION	REF. NO.	PART NO.	DESCRIPTION	REF. NO.	PART NO.	DESCRIPTION
		Used before Serial No. 423826 on type Nos. 0146, 0169, 0179, 0180, 0194, 0208, 0209, 0216, 0219, 0226, 0239, 0248, 502034, 502038, 502058, 502059, 502066, 502088, 502115, 502128, 502134.			Used on type Nos. 0203, 0274, 502131, 502132.	187	294965	Pipe—Fuel (Used on Model 142300 Series).
		93288 Nut—Wing Used with United Specialties Air Cleaner on type No. 502030.		297865 Tank Assy.—Fuel (4 quart) Used on type Nos. 502028, 502036.			Note: 29025 Pipe—Fuel Used on type Nos. 0205, 0217, 0218, 502099.	
166	230633	Stud—Air Cleaner (8-13/32" long)	181	69221	Cap—Fuel Tank			295050 Pipe—Fuel Used on type No. 0176.
	Note:	230639 Stud—Air Cleaner (9-29/32" long) Used on type Nos. 0202, 502028, 502036.		Note:	297866 Cap—Fuel Tank Used on type Nos. 0139, 0155, 0158, 0176, 0178, 0202, 0210, 0254, 0262, 0312, 502028, 502036, 502064, 502114, 502125, 502129.			295690 Pipe—Fuel Used on Model 143400 Series and on type Nos. 0010, 0015, 0016, 0035, 0036, 0037, 0049, 0055, 0070, 0071, 0075, 0115, 0116, 0120, 0121, 0125, 0126, 0127, 0128, 0132, 0135, 0136, 0137, 0138, 0139, 0140, 0144, 0145, 0146, 0149, 0150, 0151, 0155, 0156, 0157, 0169, 0172, 0173, 0174, 0175, 0180, 0183, 0184, 0185, 0187, 0188, 0189, 0190, 0191, 0192, 0193, 0194, 0195, 0196, 0199, 0200, 0201, 0202, 0212, 0222, 0225, 0226, 0228, 0229, 0230, 0231, 0232, 0233, 0235, 0237, 0238, 0239, 0240, 0245, 0247, 0251, 0253, 0254, 0255, 0256, 0260, 0261, 0263, 0264, 0265, 0267, 0268, 0269, 0271, 0275, 0276, 0277, 0278, 0279, 0280, 0281, 0282, 0283, 0286, 0287, 0292, 0293, 0298, 0299, 0301, 0303, 0304, 0305, 0306, 0307, 0309, 0310, 0311, 0314, 0317,
		Used to mount Rectangular Air Cleaner before Serial No. 423826 on type Nos. 0146, 0169, 0179, 0180, 0194, 0208, 0209, 0216, 0219, 0226, 0239, 0248, 502034, 502038, 502058, 502059, 502066, 502088, 502115, 502128, 502134.	182	220858	Bracket—Fuel Tank			
		230696 Stud—Air Cleaner (5-7/8" long)		Note:	296511 Brkt.—Fuel Tank Used on type Nos. 0114, 0129, 502013, 502014, 502018, 502019, 502023, 502024, 502101.			
167	66648	Gasket—Air Cleaner Stud	183	291367	Strap Assy.—Fuel Tank			
168	22832	Strap—Air Cleaner Pipe		Note:	291490 Strap Assembly—Fuel Tank Used on type Nos. 0055, 0138, 0146, 0149, 0151, 0184, 0194, 0201, 0203, 0222, 0226, 0239, 0251, 0255, 0256, 0283, 0298, 0306, 502038, 502060, 502063, 502067, 502072, 502073, 502088, 502089, 502096, 502117, 502123, 502128, 502131, 502132, 502138.			
169	90832	Washer—Lock, 1/4" x 3/32" x 5/64"						
170	91468	Screw—Cap, Hex. Hd.—1/4-20 x 3/8"	184	91257	Screw—Machine, Fil. Hd.—1/4-20 x 1-1/2"			
171	92129	Nut—Hex.—1/4-28	185	90970	Nut—Square—1/4-20			
172	27906	Gasket—Air Cleaner	186	63377	Connector—Fuel Pipe			
180	290816	Tank Assy.—Fuel (4 quart)		Note:	67218 Connector—Fuel Pipe (Plastic) Used on type Nos. 0131, 0141, 0142, 0143, 0153, 0158, 0170, 0176, 0182, 0186, 0197, 0198, 0204, 0213, 0214, 0223, 0224, 0234, 0236, 0241, 0246, 0248, 0249, 0257, 0258, 0266, 0284, 0290, 0291, 0296, 0297, 0302, 0312, 502033, 502056, 502057, 502062, 502074, 502075, 502085, 502126.			
	Note:	291488 Tank Assembly—Fuel (6 quart) Uses: 22907 Support—Upper Fuel Tank Used on type Nos. 0055, 0138, 0146, 0149, 0151, 0184, 0194, 0201, 0222, 0226, 0239, 0251, 0255, 0256, 0283, 0298, 0306, 0317, 502038, 502060, 502063, 502067, 502072, 502073, 502088, 502089, 502096, 502117, 502123, 502128, 502138.			67218 Connector—Fuel Pipe (Plastic) (between filter and pipe) 92800 Connector—Filter (Brass) (between carb. and filter) Used on type Nos. 502068, 502095, 502097, 502102, 502109, 502120, 502124.			296004 Pipe—Fuel (Flexible) Uses: 93053 Clamps Used on type Nos. 0131, 0141, 0143, 0153, 0158, 0170, 0182, 0197, 0198, 0204, 0213, 0214, 0223, 0224, 0236, 0241, 0246, 0249, 0257, 0258, 0284,
		291513 Tank Assembly—Combination Fuel Uses: 22907 Support—Upper Fuel Tank 220863 Washer—Spacer (Used between one boss on cyl. head and tank bracket)						

* Included in Gasket Set—Part No. 295970.

REF. PART NO. NO.	DESCRIPTION	REF. PART NO. NO.	DESCRIPTION	REF. PART NO. NO.	DESCRIPTION
	0290, 0291, 0296, 0297, 0302, 0312, 502056, 502057, 502068, 502074, 502075, 502085, 502095, 502097, 502102, 502109, 502120, 502124.		0172, 0187, 0188, 0192, 0201, 0202, 0226, 0236, 0247, 0251, 0254, 0255, 0261, 0262, 0275, 0302, 0305, 502028, 502032, 502036, 502041, 502054, 502055, 502071, 502084, 502088, 502091, 502093, 502097, 502100, 502101, 502103, 502114, 502127, 502138.		295984 Filter Assy. - Fuel Uses: 91635 Nipple (To connect filter to tank) Used on type Nos. 0158, 0176, 0234, 0241, 0248, 0284, 0290, 0291.
	296225 Pipe-Fuel Used on type Nos. 0114, 0129, 502013, 502014, 502019, 502023, 502024, 502101.	207	26855 Spring-Gov. Control Rod		296031 Filter Assy. - Fuel (at carburetor) Used on type Nos. 502068, 502095, 502097, 502102, 502109, 502120, 502124.
	296537 Pipe-Fuel (carburetor to filter)	208	230460 Rod-Governor Control (Used on Model 142300 Series only).		297563 Outlet-Fuel Tank (less filter) Includes: 293934 Shut-Off Valve
	89248 Pipe-Fuel (between filters)		Note: 230499 Rod-Governor Control		293018 Connector-Fuel Pipe (opposite shut-off valve) Used as a combination to replace tank outlet and fitting assembly on type Nos. 0131, 0141, 0143, 0153, 0182, 0197, 0198, 0204, 0213, 0214, 0223, 0224, 0236, 0246, 0249, 0257, 0258, 0296, 0297, 0302, 0312, 502068, 502074, 502075, 502085, 502095, 502097, 502102, 502109, 502120, 502124.
	92655 Tee The above fuel pipes and fitting are used on type Nos. 0203, 0274, 502131, 502132.		Used on type Nos. 0010, 0016, 0035, 0049, 0307, 502046, 502048, 502049, 502052, 502068.		
	296633 Pipe-Fuel Used on type Nos. 0244, 502136.		230559 Rod-Governor Control (Used on Model 142400 Series).		
	297168 Pipe-Fuel Used on type No. 502018.	209	260321 Spring-Governor		
188	92272 Screw-Cap, Hex. Hd. - 5/16-18 x 3/4"		Note: 260421 Spring-Governor		
189	90366 Washer-Lock, 5/16 x 1/8 x 1/16"		Used on type Nos. 0136, 0139, 0145, 0197, 0198, 0205, 0217, 0218, 0266, 0293, 0296, 0297, 0300, 0312, 0318,		
192	91397 Nut-Hex. -5/16-18		502039, 502040, 502045, 502074, 502075, 502085, 502099, 502129.		
200	295844 Blade-Governor		260546 Spring-Mech. Governor (Used on Model 142400 Series).		
	Note: 221148 Guide-Air (Used on Model 142400 Series).	219	296688 Governor Housing and Gear Assembly		
201	260120 Link-Governor (Used on Model 142300 Series).		220 220673 Washer-Thrust		
	Note: 260428 Link-Governor (Used on Model 142400 Series).	221	230177 Cup-Governor		
202	260383 Link-Governor (Used on Model 142300 Series).	222	221144 Bracket-Mech. Governor		
203	221052 Crank-Bell	223	221145 Lever-Governor Control		
204	230117 Collar	224	91841 Screw-Machine, Fil. Hd. -6-32 x 1/4"	241	99909 Cover Assembly-Fuel
205	92722 Screw-Bell Crank Mtg.	225	230526 Shaft-Governor Lever		Note: 21145 Cover-Fuel Filter
206	230533 Nut-Gov. Control Rod (Used on Model 142300 Series).	226	220381 Follower-Gov. Crank		Uses: 91635 Nipple (Between carb. elbow and filter cover)
	Note: 230149 Nut-Governor Control Rod	227	296087 Lever Assy. -Governor		
	Used on Model 142400 Series and on type Nos. 0010, 0016, 0035, 0049, 502046, 502048, 502049, 502052, 502068.	228	93100 Screw-Governor Lever		
	230580 Guide-Stop	229	220680 Washer-Thrust		
	230253 Stop-Control Rod (7/8" long)	230	22826 Washer-Spacer		
	93266 Fastener Used on type Nos. 0055, 0071, 0075, 0129, 0132, 0141, 0150, 0156, 0157,	231	93064 Screw-Governor Housing to Crankcase Cover Mounting Sem		
		232	260178 Spring-Governor Link		
		240	99910 Filter Assembly-Fuel		
			Note: 293964 Filter Assy. - Fuel		
			Used on type Nos. 0114, 0129, 502013, 502014, 502018, 502019, 502023, 502024, 502101.		

* Included in Gasket Set-Part No. 295970.

142300 to 142457

REF. NO.	PART NO.	DESCRIPTION	REF. NO.	PART NO.	DESCRIPTION	REF. NO.	PART NO.	DESCRIPTION
242	295913	Valve—Fuel Shut-Off	268	65616	Casing—Control Wire—72" long		91464	Elbow—Muffler, 90 degree, Street
	Note:	293934 Valve—Fuel Shut-Off		Note:	If longer casing is required, specify length in inches; if shorter wire is needed, order No. 65616 and cut to required length.			Used on type Nos. 0152, 0153, 0158, 0188, 0190, 0199, 0200, 0202, 0242, 0243, 0244, 0247, 0250, 0257, 0262, 0267, 0294, 0295, 0296, 0297, 0305, 0308, 0309, 0316, 502028, 502033, 502036, 502041, 502069, 502070, 502077, 502094, 502095, 502103, 502108, 502112, 502120, 502122, 502136, 502137.
		Used with tank outlet 297563.	269	26633	Wire—Control—78" long		304	294605 Housing—Blower
		(See Ref. No. 240 under note) on type Nos. 0131, 0141, 0143, 0153, 0182, 0197, 0198, 0204, 0213, 0214, 0223, 0224, 0236, 0246, 0249, 0257, 0258, 0296, 0297, 0302, 0312, 502068, 502074, 502075, 502085, 502095, 502097, 502102, 502109, 502120, 502124.		Note:	If longer wire is required, specify length in inches; if shorter wire is needed, order No. 26633 and cut to required length.		Note:	221269 Housing—Blower
243	22547	Screen—Fuel Filter	270	63426	Locknut—Control Wire Casing			Used on type Nos. 0253, 502033.
	Note:	62876 Screen—Fuel Filter	271	290568	Lever Assy.—Control			Uses: 221264 Plate—Baffle
		Used on type Nos. 502068, 502095, 502097, 502102, 502109, 502120, 502124.	272	290584	Base—Control Wire			93166 Screw—Baffle Plate
244	53029	Connector—Fuel Pipe	273	290642	Lever—Control			296012 Housing—Blower
	Note:	63377 Connector	274	91237	Washer—Lock—1/4 x 3/32 x 5/64"			When ordering this blower housing, order No. 297415 screw and nut kit also, to remount the belt guard.
		Used on type Nos. 0114, 0129, 502013, 502014, 502018, 502019, 502023, 502024, 502101.	275	92287	Screw—Machine, Rd. Hd.—10-32 x 1/4"			Used on type Nos. 502013, 502018, 502023, 502136, 502137.
		67218 Connector (plastic)	276	22834	Washer—Spacer			296454 Housing—Blower
		Used on the following type numbers when equipped with a flexible fuel pipe: 502068, 502095, 502097, 502102, 502109, 502120, 502124.	277	22368	Washer—Control Lever			When ordering this blower housing, order No. 297415 screw and nut kit also, to remount the belt guard.
		92800 Connector—Filter (2)	278	22725	Washer—Control Lever			Used on type Nos. 0114, 0129, 0207, 0208, 0217, 0248, 0260, 502014, 502019, 502024, 502101.
		Used on type No. 502018 between filter and tank.	279	92306	Screw—Cap, Hex. Hd.—1/4-28 x 5/8"			297127 Housing—Blower
		230318 Connector—Fuel Pipe (plastic)	285	260505	Link—Automatic Choke			Used on type Nos. 0139, 0191, 0197, 0198, 0293, 0296, 0312, 502074, 502075, 502085, 502129.
		Used on type Nos. 0131, 0141, 0143, 0153, 0158, 0176, 0182, 0197, 0198, 0204, 0213, 0214, 0223, 0224, 0234, 0236, 0241, 0246, 0248, 0249, 0257, 0258, 0284, 0290, 0291, 0296, 0297, 0302, 0312.	286	296838	Thermostat Assembly			297188 Housing—Blower
245	*68477	Gasket—Fuel Filter Bowl	287	90050	Screw—Machine, Rd. Hd.—6-32 x 1/4"			Used on type Nos. 0131, 0141, 0143, 0153, 0182, 0204, 0213, 0214, 0224, 0236, 0243, 0244, 0249, 0257, 0258, 0297, 0302, 502068, 502095, 502097, 502102, 502109, 502120, 502124.
246	298683	Bowl—Fuel Filter	288	90362	Washer—Lock—No. 6 x 3/64 x 1/32"			297189 Housing—Blower
247	99665	Yoke—Fuel Filter	289	23886	Support—Thermostat Shaft (outer)			Used on type Nos. 0112, 0117, 502012, 502017, 502022, 502057.
258	93062	Screw—Sem	290	296837	Bracket and Tube			298342 Housing—Blower
260	295917	Housing—Speed Control	291	26594	Thermostat			Used on type Nos. 0055, 0145, 0255, 0266.
261	93105	Screw—Sem	292	23885	Support—Thermostat Shaft (inner)			
263	93223	Screw—Stop	293	23884	Stop—Thermostat Shaft			
264	90355	Nut—Hex.—10-32	294	92678	Screw—Set Socket Head—6-32 x 5/16"			
265	22372	Clamp—Casing	295	230624	Shaft—Thermostat			
266	291460	Control—Throttle	296	291044	Lever Assy.—Thermostat			
267	90080	Screw—Machine, Rd. Hd.—10-32 x 7/16"	300	294599	Muffler—Exhaust			
				Note:	89953 Muffler—Exhaust			
					Used on type Nos. 0196, 0242, 0247, 0258, 0275, 0302, 502077, 502105, 502112, 502119.			
					296371 Muffler—Exhaust			
					Used on type No. 0253.			
			301	91245	Nipple—Exhaust			
			302	91242	Locknut—Muffler and Elbow			
			303	91246	Elbow—Muffler—45 degree			
				Note:	91219 Elbow—Muffler, 45 degree, Street			
					Used on type Nos. 0176, 0210, 0250, 0257, 0259, 0290.			

* Included in Gasket Set—Part No. 295970.

REF. NO.	PART NO.	DESCRIPTION	REF. NO.	PART NO.	DESCRIPTION	REF. NO.	PART NO.	DESCRIPTION
305	93158	Screw—Sem	327	93188	Washer—Lock, 5/16 x 3/32 x 5/64"			0254, 0262, 0291, 502028, 502033, 502036, 502064, 502094, 502095, 502114, 502120, 502122, 502126.
	Note:	91439 Screw—Cap, Hex. Hd. —1/4-20 x 3/8"	328	221122	Guard—Belt			
		90832 Washer—Lock	328A	221447	Guard—Belt			
		To mount Guard to Guard Bracket on type Nos. 0131, 0141.	329	93246	Screw—Belt Guard Mounting Sem	363	19165	Puller—Flywheel (optional accessory)
		93294 Screw—Blower Housing Mtg. Sem (At Bottom)	330	69932	Rope—Starter	370	66432	Washer—Plain
		Used on type Nos. 0153, 0204, 0213, 0218.	332	92284	Nut	380	62199	Washer—Plain
306	221005	Shield—Cylinder			297320 Armature Assy. Used on type Nos. 0243, 0244, 502136, 502137.		Note:	91324 Washer—Plain Used on type Nos. 0131, 0141, 0143, 0153, 0182, 0204, 0213, 0214, 0224, 0236, 0243, 0244, 0246, 0249, 0257, 0258, 0297, 0302, 502068, 502095, 502097, 502102, 502109, 502120, 502124.
307	93163	Screw—Cylinder Shield Mounting Sem	334	93381	Screw—Armature Mounting Sem	381	91419	Screw—Cap, Hex. Hd. — 1/4-20 x 5/8"
308	220824	Cover—Cylinder Head	335	93381	Screw—Armature Mounting Sem	382	92666	Screw—Cap, Hex. Hd. — 1/4-20 x 1/2"
	Note:	221153 Cover—Cyl. Head Used on type Nos. 0070, 0246, 0282, 502029, 502053, 502096, 502106.	336	294735	Cable—Ignition This group of ignition cables including Part 294735 is used on en- gines when cable is not sealed in ignition coil.	383	89838	Wrench—Spark Plug
309	296122	Motor—Electric Starter (12 volt) (Electric Auto-Lite No. Med 4001) For Service on these motors see your nearest "Authorized Auto-Lite Service Station".			Note: 296010 Cable—Ignition Used on type No. 502053. 296236 Cable—Ignition Used on type Nos. 502029, 502055.	384	62899	Washer—Thermostat
		310 93268 Bolt—Case	337	29693	Plug—Spark	401	211009	Spacer—Carb. Elbow (Used only on engines equipped with automatic choke)
		317 296013 Bracket—Starter			Note: 293918 Plug—Spark Used on type Nos. 0185, 0186, 0195, 0225, 0237, 0247, 0253, 0268, 0299, 502031, 502061, 502062.	411	93448	Plug—Oil Level Hole
		320 297162 Pulley—Idler	338	29806	Gasket—Spark Plug			Note: 91249 Plug—Oil Level Hole Used on type No. 502055.
		321 210961 Pulley—Electric Starter	339	29667	Breaker Assy.—Ignition	413	230581	Nut—Starter Mounting
		321A 210899 Pulley—Electric Starter	340	26018	Spring—Breaker Arm	474	296436	Armature—Flywheel Gen.
		322 90931 Screw—Cap, Hex Hd. — 1/4-20 x 2-1/4"	342	65704	Plunger—Breaker Point	475	296562	Rectifier
	Note:	92636 Screw—Cap, Hex. Hd. —1/4-20 x 2"	343	29861	Condenser	477	67538	Sleeving—Wire
		Used on type Nos. 502012, 502017, 502022, 502033, 502057, 502068, 502075, 502095, 502097, 502102, 502109, 502120, 502124.	344	93370	Screw—Condenser Mounting Sem	478	296367	Plate—Generator Mtg.
323	67318	Belt—Vee	345	221046	Cover—Breaker Point	480	93163	Screw—Support Plate and Bracket Mounting Sem
323A	68588	Belt—Vee (Used after Serial No. 6503171)	346	93014	Screw—Breaker Point Cover Mounting Sem			Note: 93171 Screw—Support Plate Mounting Sem Used on type Nos. 0202, 0262, 502028, 502036, 502041, 502931.
		Note: 66828 Belt—Vee Used before Serial No. 6503181. 67708 Belt—Vee Used on type Nos. 0131, 0141, 0143, 0153, 0182, 0204, 0213, 0214, 0224, 0236, 0243, 0244, 0246, 0249, 0257, 0258, 0297, 0302, 502068, 502095, 502097, 502102, 502109, 502120, 502124.	347	221808	Switch—Stop	481	230582	Spacer—Armature Mtg.
					Note: 293739 Switch—Stop Used on type No. 0291.	482	93234	Screw—Armature Mounting Sem
			348	67118	Block—Stop Switch	483	296266	Capacitor (Condenser)
			349	221077	Blade—Switch	484	93166	Screw—Self Tapping, Hex. Hd., Sem
			350	221078	Clamp—Switch Blade	485	296437	Post Assembly—Fuse
			351	93218	Screw—Stop Switch	486	67135	Fuse—3Ag-1-1/2 Amps.
			352	66068	Washer—Insulating	487	296347	Cap—Fuse Holder
			353	92791	Washer—Lock— Shakeproof	488	296579	Block Assembly—Fuse
			354	90576	Nut—Hex. —8-32	489	93237	Screw—Fuse Block Mounting Sem
			355	66554	Collar—Insulating	490	67125	Fuse—3Ag-7-1/2 Amps.
			356	295413	Wire—Ground	491	221241	Support—Charger Mtg.
			357	91540	Key—Pulley	492	296028	Starter—Generator (12 volt) (Delco-Remy No. 1101968 and Pulley— Delco-Remy No. 1949358)
			358	295970	Gasket Set			
324	221067	Screen—Electric Starter	362	291630	Shield—Spark Plug (with stop switch)			
325	221400	Pulley—Rope Starter			Note: 66538 Elbow—Spark Plug Used on type Nos. 0142, 0152, 0153, 0158, 0175, 0178, 0202, 0204, 0210,			
326	92272	Screw—Cap, Hex. Hd. — 5/16-18 x 3/4"						

142300 to 142457

REF. NO.	PART NO.	DESCRIPTION	REF. NO.	PART NO.	DESCRIPTION	REF. NO.	PART NO.	DESCRIPTION
	Note:	297423 Starter—Generator (Delco-Remy No. 1101990) Uses: 221703 Fan (Delco-Remy No. 1944437) 296182 Pulley (Delco-Remy No. 1943222) Used on type No. 0218. For service on Starter—Generator and Voltage Regulator see your nearest "Authorized Delco-Remy Service Station of United Motors".	514	91700	Nut—Hex. —1/4-20	590	93226	Screw—Breaker Mounting
			517	295423	Pulley—Rope Starter	600	270055	Spacer—Air Cleaner Used only with Rectangular Foam Type Air Cleaner.
			518	69932	Rope—Starter	605	298758	Bracket—Guard Used after Serial No. 6503171. Note: 297170 Bracket—Guard Used before Serial No. 6503181. 297171 Bracket—Guard (Lower) 297187 Bracket—Guard (Upper) Used on type Nos. 0131, 0141, 0143, 0153, 0182, 0204, 0213, 0214, 0224, 0236, 0243, 0244, 0249, 0257, 0258, 0297, 0302, 502068, 502095, 502097, 502102, 502109, 502120, 502124. Uses: 91439 Screw—Cap Hex. Hd. — 1/4-20 x 3/8" to mount Guard Bracket No. 297171 to Blower Housing (2 used)
			521	297973	Shielding—Ignition Cable Used on ignition cables molded into coil.			
			523	295940	Cap Assy.—Oil Filler Note: 69345 Cap Assy.—Oil Filler Used on type No. 0312. 295923 Cap Assy.—Oil Filler Used on type Nos. 0139, 502129.			
493	211112	Bracket—Starter	524	65304	Gasket—Oil Filler			
497	91203	Screw—Cap, Hex. Hd. — 5/16-18 x 1-3/4"	525	230553	Pipe—Oil Filler Note: 230553 Pipe—Oil Filler 230537 Adaptor—Oil Filler Pipe 91847 Screw—Adaptor Pipe Used on type No. 502129.			
500	91325	Washer—Plain						
501	295924	Regulator—Voltage (Delco-Remy No. 1118988) Note: 296180 Regulator—Voltage (Delco-Remy No. 1119165) Used on type No. 0218. 297196 Regulator—Voltage (Delco-Remy No. 1119577) Used on type No. 502057. Uses: 297197 Clamp (Regulator to Gen.) 297199 Wire—Lead (2) (Regulator to Gen.)	535	270209	Element—Air Cleaner (Round Foam Type) Used after Serial No. 423825. Note: 27987 Element—Air Cleaner (Rectangular Foam Type) Used before Serial No. 423826 on type Nos. 0055, 0146, 0169, 0179, 0180, 0194, 0208, 0209, 0216, 0219, 0226, 0236, 0248, 0255, 0259, 502034, 502038, 502058, 502059, 502066, 502088, 502115, 502128, 502134.			
502	93107	Screw—Sem	536	298681	Cleaner Assy.—Air (Round Foam Type) Used after Serial No. 423825. Note: 297036 Cleaner Assy.—Air (Rectangular Foam Type) Used before Serial No. 423826 on type Nos. 0055, 0146, 0169, 0179, 0180, 0194, 0208, 0209, 0216, 0219, 0226, 0236, 0248, 0255, 0259, 502034, 502038, 502058, 502059, 502066, 502088, 502115, 502128, 502134.			
503	221205	Strap—Starter (long)				606	221445	Strap—Adjusting Note: 221443 Strap—Adjusting Used on type Nos. 0131, 0141, 0143, 0153, 0182, 0197, 0204, 0213, 0214, 0218, 0224, 0236, 0244, 0246, 0249, 0257, 0258, 502068, 502075, 502095, 502097, 502102, 502109, 502120, 502124.
504	221206	Strap—Starter (short)				608	295001	Starter Assy.—Rewind Note: 298340 Starter Assy.—Rewind Used on type Nos. 0055, 0145, 0255, 0266.
505	92278	Nut—Hex. —1/4-20				610	93337	Pin—Thermostat Shaft
506	90072	Screw—Machine, Rd. Hd. —8-32 x 5/8"				621	297472	Switch—Stop
507	66895	Insulator				627	221568	Bracket—Stop Switch
508	93294	Screw—Blower Housing Mounting Sem				642	221634	Cover—Air Cleaner
512	296560	Armature and Wiring Assembly				643	298522	Screen—Air Cleaner
513	296567	Clutch Assembly — Electric Starter				655	221014	Anchor—Spring
						656	260672	Spring—Idler Arm