

122T00

Illustrated Parts List

Model Series

122T00

TYPE NUMBERS

0001, 0002, 0003, 0004, 0007, 0008, 0009, 0010, 0011, 0012, 0013, 0015, 0020, 0021, 0023, 0024, 0026, 0027, 0110, 0111, 0112, 0113, 0114, 0118, 0120, 0121, 0122, 0125, 0126, 0129, 0130, 0131, 0133, 0134, 0136, 0139, 0141, 0142, 0144, 0147, 0148, 0149, 0150, 0152, 0153, 0155, 0156, 0157, 0158, 0159, 0160, 0162, 0164, 0165, 0167, 0169, 0170, 0171, 0172, 0173, 0175, 0176, 0177, 0178, 0181, 0182, 0183, 0184, 0186, 0188, 0189, 0190, 0191, 0192, 0193, 0195, 0196, 0197, 0198, 0198, 0200, 0201, 0202, 0204, 0205, 0206, 0207, 0208, 0209, 0210, 0211, 0213, 0214, 0217, 0218, 0219, 0220, 0222, 0224, 0225, 0226, 0227, 0228, 0229, 0230, 0231, 0232, 0233, 0234, 0234, 0235, 0236, 0377, 0469, 0704, 0738, 0762, 0781, 0824, 0831, 0845, 0846, 0863, 0866, 0868, 0879, 0888, 0897, 0903, 0907, 0908, 0913, 0914, 0935, 0960, 0977, 0984, 0994, 1002, 1007, 1008, 1012, 1027, 1054, 1062, 1063, 1089, 1093, 1099, 1108, 1141, 1154, 1156, 1157, 1158, 1160, 1207, 1230, 1233, 1243, 1245, 1265, 1269, 1308, 1334, 1382, 1410, 1436, 1513, 1551, 1614, 1615, 1709, 1717, 1719, 1720, 1721, 1722, 1723, 1723, 1726, 1726, 1727, 1730, 1733, 1734, 1735, 1752, 1753, 1754, 1766, 1781, 1782, 1783, 1784, 1785, 1786, 1790, 1791, 1792, 1793, 1795, 1796, 1797, 1815, 1904, 1909, 1927, 1931, 1959, 1960, 1963, 1967, 1975, 2003, 2006, 2008, 2010, 2033, 2034, 2041, 2045, 2045, 2047, 2048, 2049, 2050, 2051, 2052, 2053, 2057, 2058, 2059, 2060, 2062, 2207, 2309, 2365, 2378, 2380, 2414, 2686, 3824, 3845, 3846, 3863, 4136, 4142, 4150, 4752, 4753, 4792, 4793, 4846, 4984, 5002, 5003, 5010, 5045, 5052, 5131, 5136, 5141, 5148, 5149, 5150, 5154, 5157, 5158, 5159, 5170, 5172, 5175, 5176, 5181, 5182, 5184, 5186, 5188, 5190, 5191, 5192, 5193, 5195, 5196, 5197, 5200, 5202, 5205, 5206, 5207, 5208, 5210, 5211, 5230, 5243, 5269, 5308, 5342, 5348, 5384, 5390, 5392, 5396, 5410, 5513, 5686, 5704, 5727, 5752, 5753, 5762, 5783, 5793, 5795, 5797, 5846, 5935, 5960, 5975, 5984, 5984.

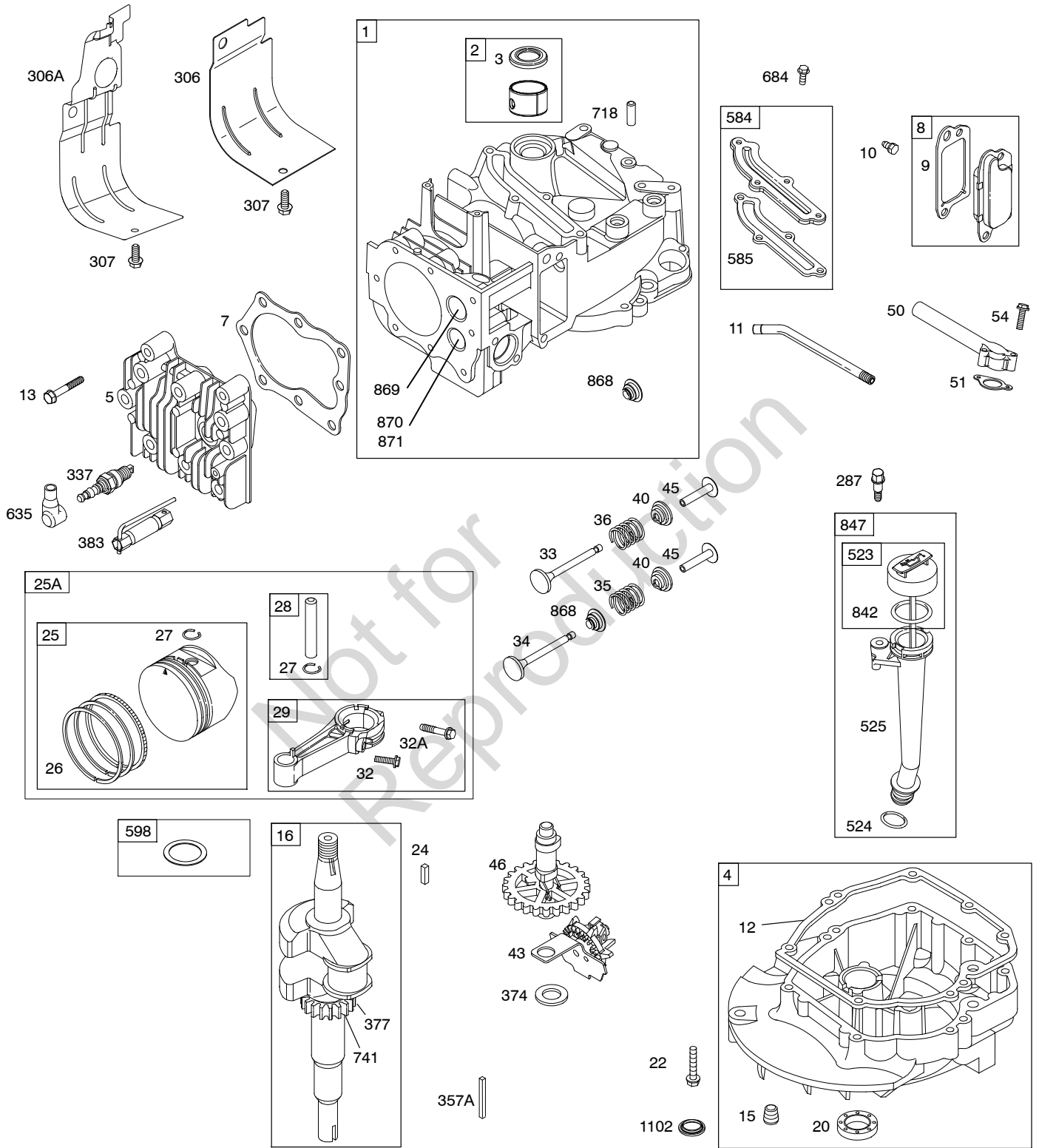


PRINTED IN U.S.A.

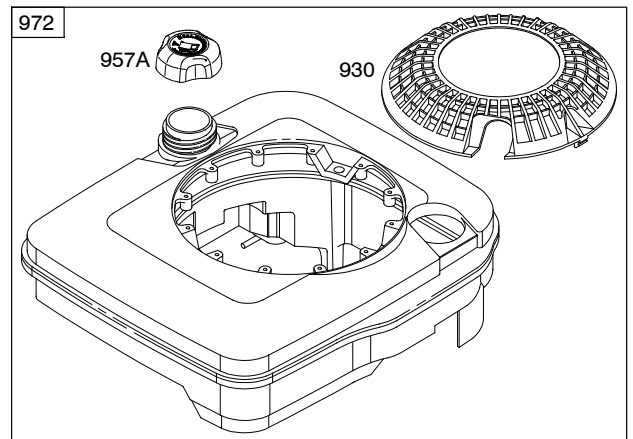
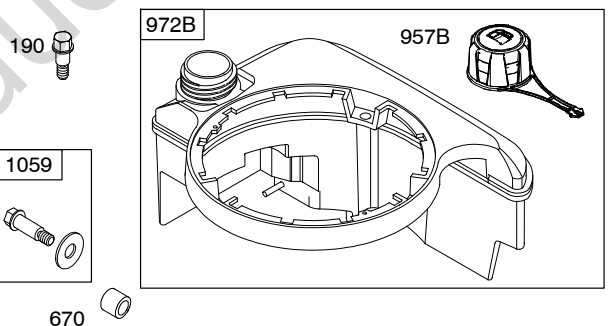
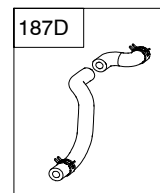
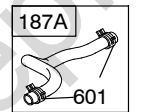
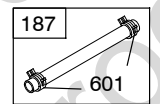
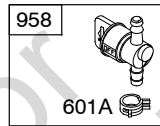
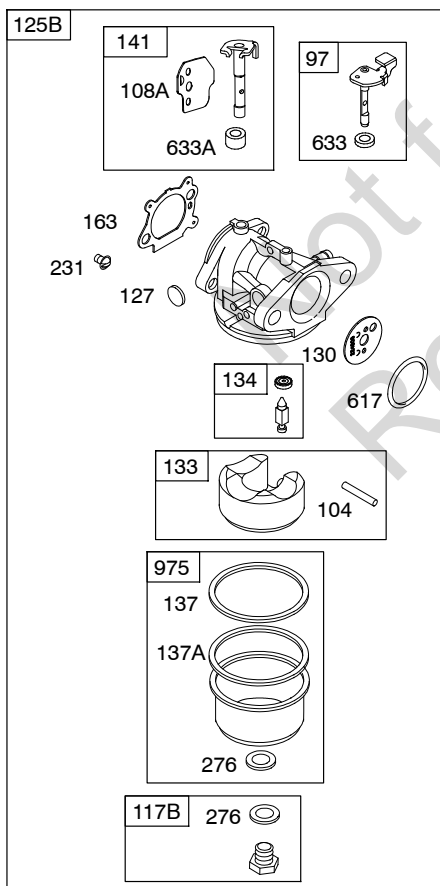
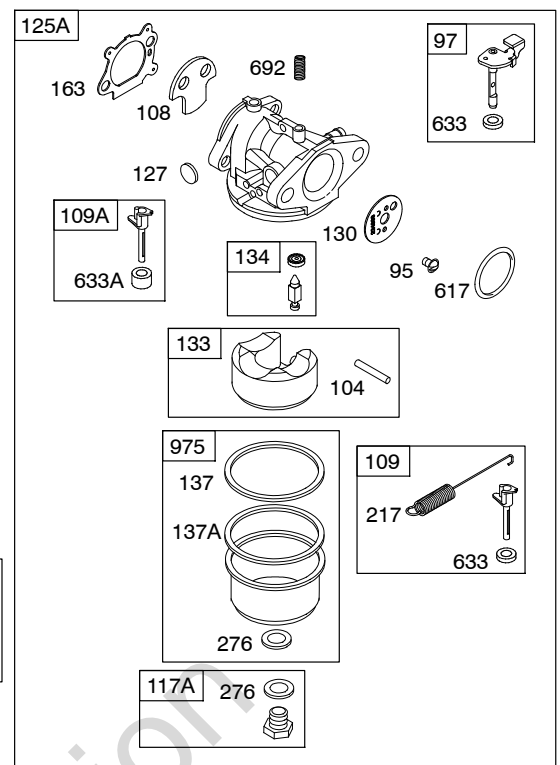
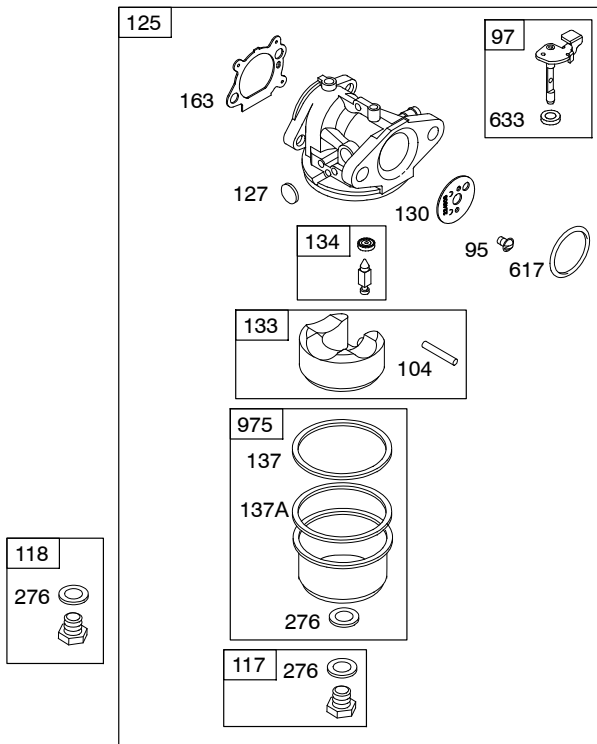
COPYRIGHT by BRIGGS & STRATTON CORPORATION
All rights reserved. No part of this material may be reproduced or transmitted, in any form or by any means, electronic or mechanical, including photocopying, recording or by any information storage and retrieval system, without permission in writing from Briggs & Stratton Corporation.

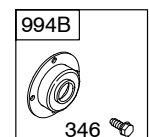
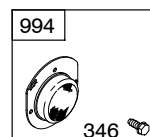
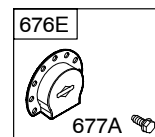
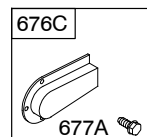
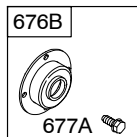
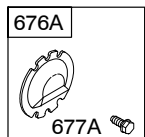
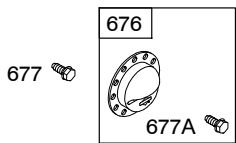
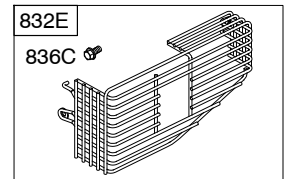
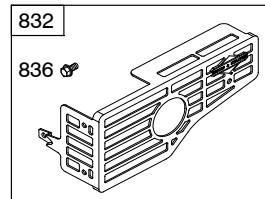
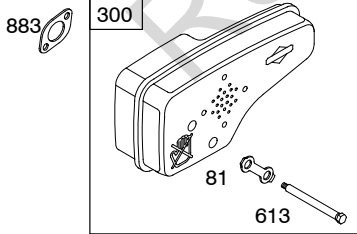
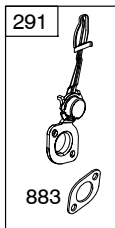
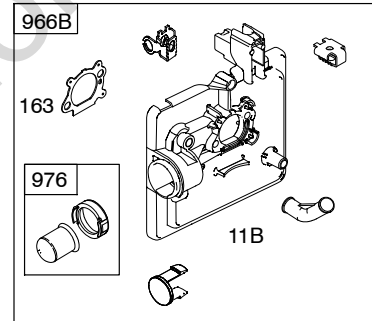
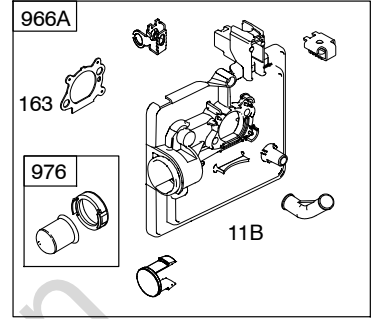
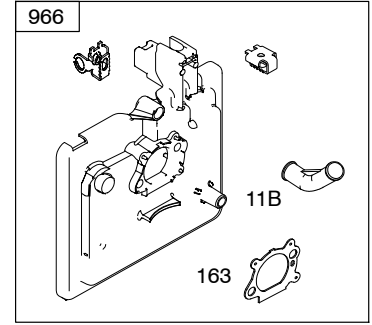
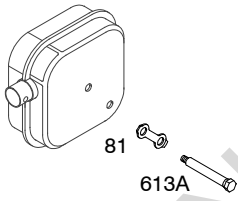
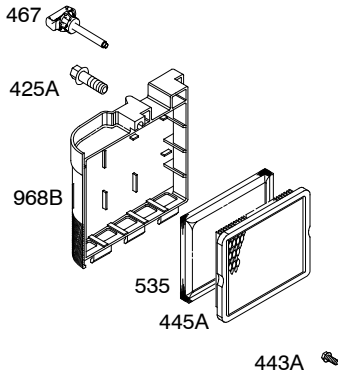
1319 WARNING LABEL

1330 REPAIR MANUAL

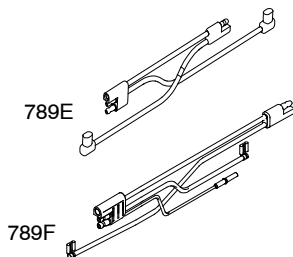
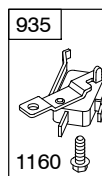
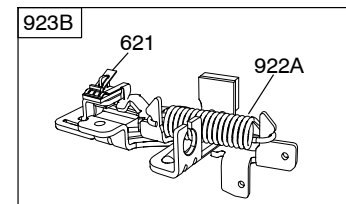
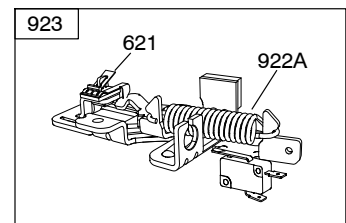
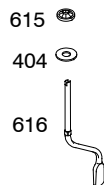
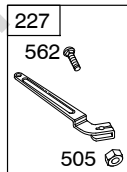
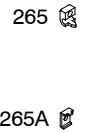
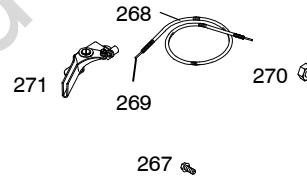
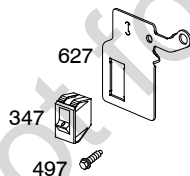
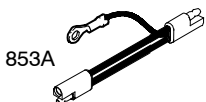
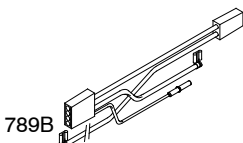
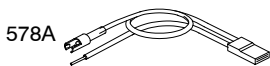
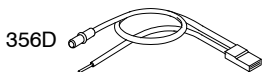
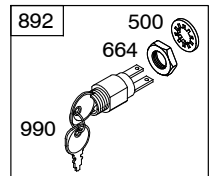
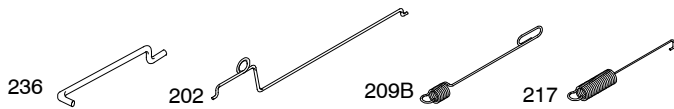
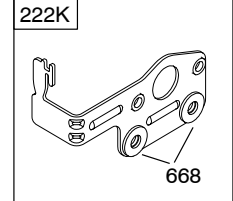
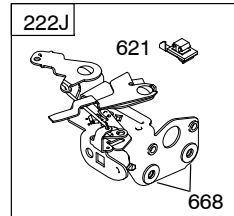
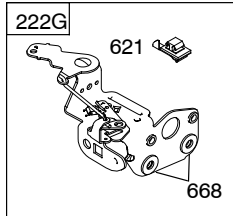
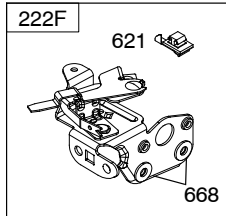
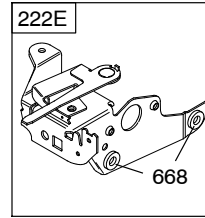
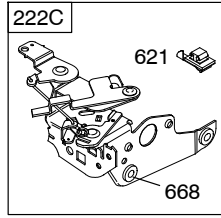
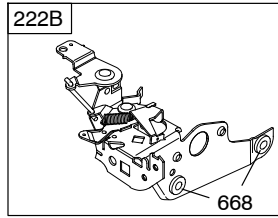
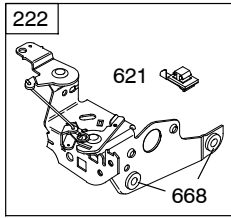


Illustrations cover a range of engines. Parts shown without corresponding text may not be used on your specific engine.
 3762-2 Assemblies include all parts shown in frames. 03/03/2016



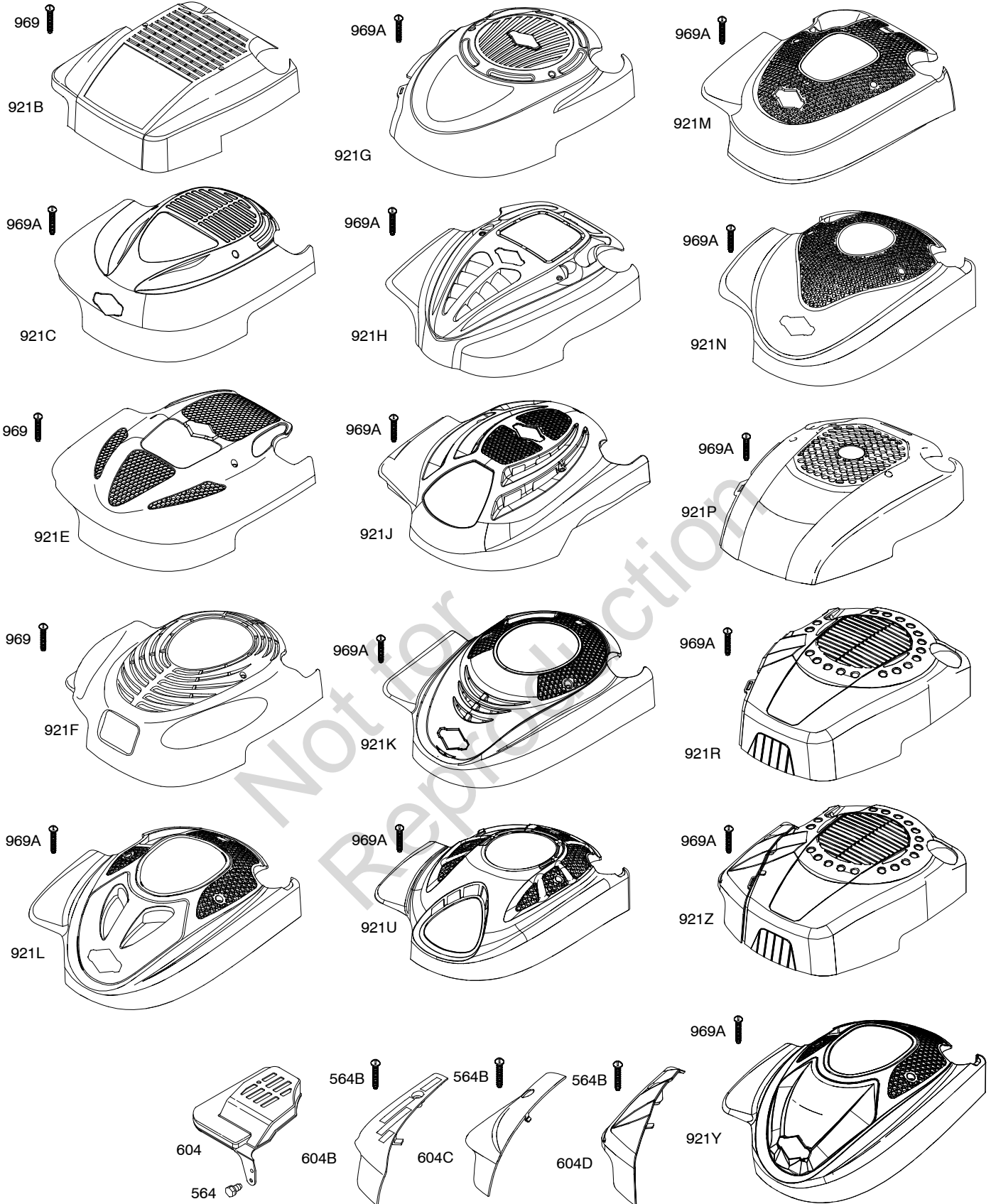


Illustrations cover a range of engines. Parts shown without corresponding text may not be used on your specific engine.
3762-4 Assemblies include all parts shown in frames. **03/03/2016**

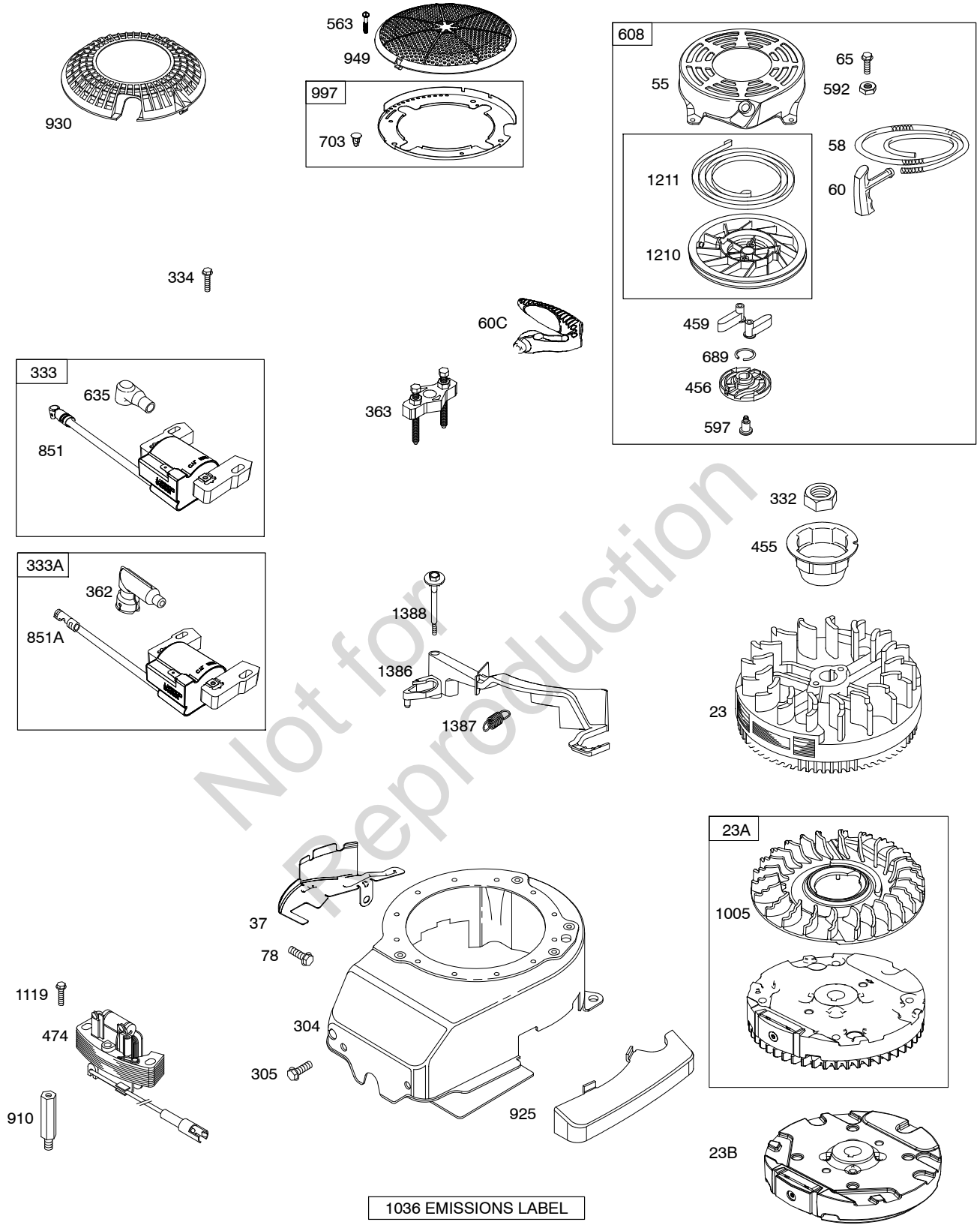


Illustrations cover a range of engines. Parts shown without corresponding text may not be used on your specific engine.
 3762-5 Assemblies include all parts shown in frames. 03/03/2016

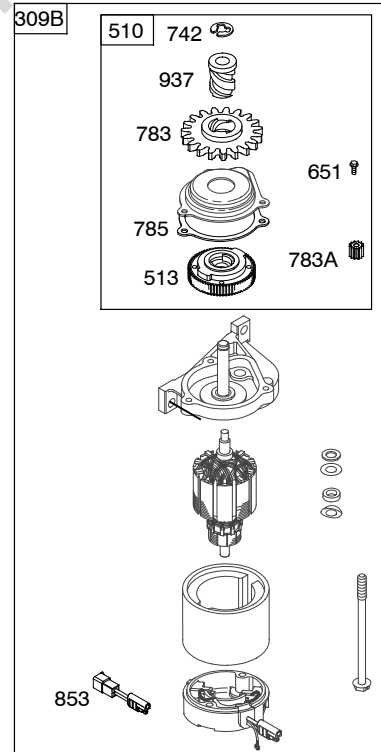
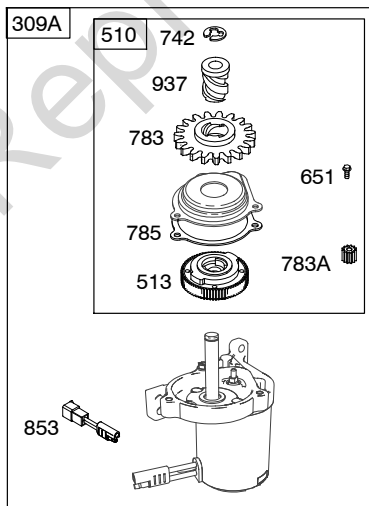
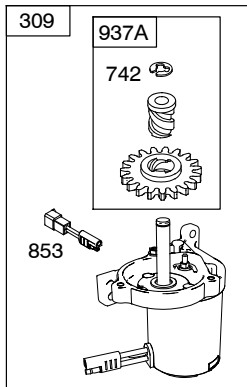
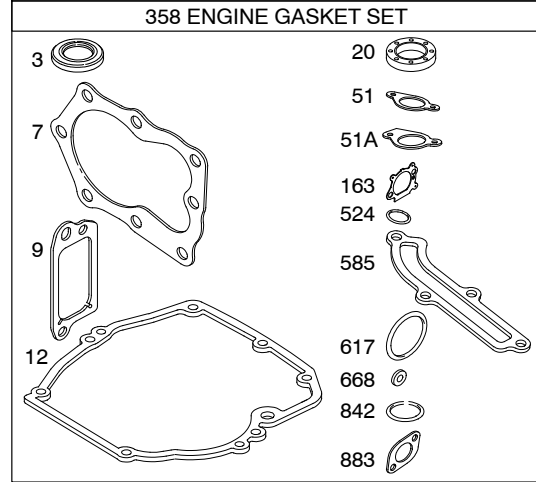
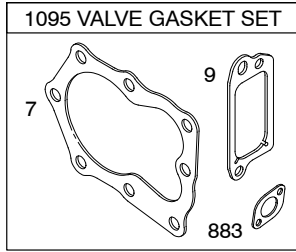
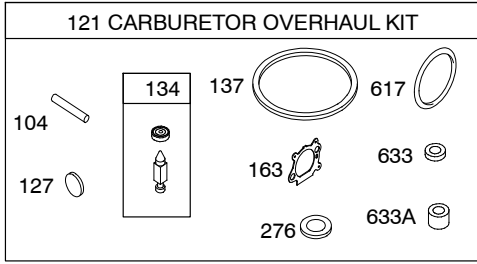
122T00



Illustrations cover a range of engines. Parts shown without corresponding text may not be used on your specific engine.
3762-6 Assemblies include all parts shown in frames. **03/03/2016**



Illustrations cover a range of engines. Parts shown without corresponding text may not be used on your specific engine.
 3762-7 Assemblies include all parts shown in frames. 03/03/2016



REF. NO.	PART NO.	DESCRIPTION	REF. NO.	PART NO.	DESCRIPTION	REF. NO.	PART NO.	DESCRIPTION
1	592645	Cylinder Assembly			0208, 0209, 0210,			797020 Crankshaft
2	796961	Kit-Bushing/Seal (Magneto Side)			0214, 0218, 0219,			Used on Type No(s).
3	299819s	Seal-Oil (Magneto Side)			0222, 0231, 0234,			0003, 0112, 0113,
4	493279	Sump-Engine			0469, 0863, 0868,			2045, 5045.
5	590411	Head-Cylinder (Used After Code Date 11063000).			1012, 1382, 1717,			692978 Crankshaft
		----- Note -----			1723, 1726, 1727,			Used on Type No(s).
		594989 Head-Cylinder (Used Before Code Date 11070100).			1730, 1752, 1781,			1733.
7	799875	Gasket-Cylinder Head (Used After Code Date 11063000).			1784, 1904, 1931,			692980 Crankshaft
		----- Note -----			1960, 1963, 1975,			Used on Type No(s).
		692249 Gasket- Cylinder Head (Used Before Code Date 11070100).			2008, 2010, 2034,			1734, 1735.
8	590395	Breather Assembly			2041, 2048, 2053,			797681 Crankshaft
9	699833	Gasket-Breather			2062, 2365, 3863,			Used on Type No(s).
10	691125	Screw (Breather Assembly)			4136, 4752, 5010,			0009, 0155, 0160,
11	691781	Tube-Breather			5136, 5148, 5149,			0189, 0201, 0211,
11B	691923	Tube-Breather			5159, 5175, 5176,			0227, 0704, 0738,
12	692232	Gasket-Crankcase			5186, 5188, 5202,			1815, 5211, 5704.
13	590422	Screw (Cylinder Head) (Used After Code Date 11063000).			5206, 5207, 5208,			695242 Crankshaft
		----- Note -----			5210, 5308, 5348,			Used on Type No(s).
		690912 Screw (Cylinder Head) (Used Before Code Date 11070100).			5752, 5797, 5975.			2033.
15	691680	Plug-Oil Drain (Square Socket)			797017 Crankshaft			Used on Type No(s).
16	797019	Crankshaft			Used on Type No(s).			0144.
		----- Note -----			0011, 0013, 0172,			694478 Crankshaft
		797018 Crankshaft			0183, 0184, 0191,			Used on Type No(s).
		Used on Type No(s).			0200, 0213, 0220,			0831, 0977.
		0001, 0004, 0010,			0225, 0226, 0230,			797372 Crankshaft
		0012, 0020, 0021,			0233, 0377, 0762,			Used on Type No(s).
		0110, 0111, 0118,			0871, 0824, 0845,			0228.
		0120, 0125, 0126,			0846, 0866, 0879,			20 399781s Seal-Oil
		0130, 0131, 0133,			0888, 0897, 0903,			(PTO Side)
		0134, 0136, 0148,			0907, 0908, 0913,			22 691092 Screw
		0149, 0152, 0153,			0914, 0935, 0960,			(Crankcase
		0158, 0159, 0162,			0984, 0994, 1002,			Cover/Sump)
		0164, 0165, 0167,			1007, 1008, 1027,			23 691987 Flywheel
		0169, 0173, 0175,			1054, 1062, 1063,			23A 591282 Flywheel
		0176, 0177, 0186,			1089, 1093, 1141,			Used on Type No(s).
		0188, 0198, 0202,			1154, 1156, 1157,			0114, 0118, 0120,
		0204, 0206, 0207,			1158, 1160, 1207,			0129, 0155, 0158,
					1230, 1233, 1243,			0159, 0160, 0170,
					1245, 1269, 1308,			0171, 0178, 0184,
					1513, 1551, 1614,			0189, 0191, 0213,
					1615, 1719, 1720,			0219, 0225, 0226,
					1721, 1722, 1791,			0227, 0738, 0863,
					2006, 2047, 2058,			0868, 1012, 1382,
					2059, 2207, 3824,			1782, 1785, 1815,
					3845, 3846, 4846,			2049, 2051, 3863,
					5002, 5154, 5158,			5159, 5170, 5184,
					5172, 5184, 5191,			5191.
					5200, 5230, 5243,			
					5269, 5384, 5513,			
					5762, 5846, 5935,			
					5960, 5984.			

122T00

REF. NO.	PART NO.	DESCRIPTION	REF. NO.	PART NO.	DESCRIPTION	REF. NO.	PART NO.	DESCRIPTION
23B	790536	Flywheel Used on Type No(s). 0002, 0218, 0229, 0231, 0232, 0236.		590403	Ring Set (.020" Oversize) (Used After Code Date 11063000).	37	793756	Guard-Flywheel
24	222698s	Key-Flywheel		797305	Ring Set (.020" Oversize) (Used After Code Date 09041600 and Before Code Date 11070100).	40	692194	Retainer-Valve
25	590404	Piston Assembly (Standard) (Used After Code Date 07090300). ----- Note ----- 799063 Piston Assembly (Standard) (Used Before Code Date 07090400). 590405 Piston Assembly (.020" Oversize) (Used After Code Date 09041600). 799064 Piston Assembly (.020" Oversize) (Used Before Code Date 09041700).	27	691588	Lock-Piston Pin (Used After Code Date 09041600). ----- Note ----- 691866 Lock-Piston Pin (Used Before Code Date 09041700).	43	691997	Slinger-Governor/Oil
25A	590406	Piston Assembly (Standard)	28	298909	Pin-Piston (Used After Code Date 09041600). ----- Note ----- 499423 Pin-Piston (Used Before Code Date 09041700).	45	690548	Tappet-Valve
26	590402	Ring Set (Standard) (Used After Code Date 11063000). ----- Note ----- 797304 Ring Set (Standard) (Used After Code Date 09041600 and Before Code Date 11070100). (No Longer Available) (For Service use 590404 Piston Assy) 795431 Ring Set (Standard) (Used After Code Date 07090300 and Before Code Date 09041700). 791098 Ring Set (Standard) (Used Before Code Date 07090400).	29	797306	Rod-Connecting (Used After Code Date 09041600). ----- Note ----- 499424 Rod- Connecting (Used Before Code Date 09041700). (No Longer Available) (For Service use 590406 Piston Assy)	46	691449	Camshaft
			32	691664	Screw (Connecting Rod)	50	794305	Manifold-Intake
			32A	695759	Screw (Connecting Rod)	51	272199s	Gasket-Intake
			33	590394	Valve-Exhaust	51A	794306	Gasket-Intake
			34	590393	Valve-Intake	54	691650	Screw (Intake Manifold)
			35	691270	Spring-Valve (Intake)	55	691421	Housing-Rewind Starter
			36	691270	Spring-Valve (Exhaust)	58	697316	Rope-Starter (Cut To Required Length) ----- Note ----- 791362 Rope-Starter Used on Type No(s). 0994, 1230, 5230.
						60	281434s	Grip-Starter Rope
						60C	799716	Grip-Starter Rope
						65	690837	Screw (Rewind Starter)
						78	691108	Screw (Flywheel Guard)
						81	691740	Lock-Muffler Screw
						95	691636	Screw (Throttle Valve)
						97	696565	Shaft-Throttle
						98A	493280	Kit-Idle Speed
						104	797622	Pin-Float Hinge
						108	691182	Valve-Choke
						108A	795935	Valve-Choke (Used After Code Date 08031200). ----- Note ----- 790844 Valve-Choke (Used Before Code Date 08031300).

REF. NO.	PART NO.	DESCRIPTION	REF. NO.	PART NO.	DESCRIPTION	REF. NO.	PART NO.	DESCRIPTION
109	494218	Shaft-Choke	117	798661	Jet-Main			0198, 0201, 0204,
109A	498593	Shaft-Choke			(Standard)			0205, 0208, 0209,
117	498978	Jet-Main			Used on Type No(s).			0377, 0762, 0781,
		(Standard)			0001, 0003, 0004,			0824, 0831, 0845,
		----- Note -----			0008, 0198, 0213,			0846, 0863, 0868,
	494870	Jet-Main			0214, 0217, 0218,			0879, 0888, 0897,
		(Standard)			0219, 0220, 0222,			0903, 0907, 0908,
		Used on Type No(s).			0224, 0225, 0226,			0913, 0914, 0935,
		0110, 0112, 0113,			0227, 0228, 0229,			1002, 1007, 1012,
		0118, 0120, 0121,			0230, 0232, 0233,			1027, 1062, 1063,
		0122, 0125, 0126,			0234, 0469, 0960,			1089, 1093, 1099,
		0129, 0130, 0131,			1614, 1615, 5002,			1108, 1141, 1154,
		0134, 0136, 0139,			5003, 5010, 5045,			1156, 1158, 1160,
		0142, 0144, 0148,			5052, 5136, 5141,			1207, 1230, 1233,
		0150, 0158, 0159,			5149, 5150, 5154,			1243, 1245, 1265,
		0162, 0164, 0165,			5157, 5158, 5170,			1269, 1308, 1334,
		0167, 0169, 0183,			5172, 5175, 5176,			1382, 1410, 1436,
		0188, 0189, 0192,			5181, 5182, 5184,			1513, 1551, 1931,
		0201, 0204, 0205,			5188, 5191, 5192,			2207, 3824, 3845,
		0208, 0209, 0377,			5193, 5195, 5196,			3846, 3863, 4136,
		0762, 0781, 0824,			5197, 5200, 5202,			4142, 4150, 4846,
		0831, 0845, 0846,			5205, 5206, 5207,			4984, 5148, 5159,
		0863, 0868, 0879,			5210, 5211, 5230,			5208, 5269, 5762,
		0888, 0897, 0903,			5243, 5308, 5342,			5846.
		0907, 0908, 0913,			5348, 5384, 5390,			799604 Jet-Main
		0914, 0935, 1002,			5392, 5396, 5410,			(High Altitude)
		1007, 1012, 1027,			5513, 5686, 5704,			Used on Type No(s).
		1062, 1063, 1089,			5752, 5753, 5783,			0001, 0003, 0004,
		1093, 1099, 1108,			5795, 5797, 5935,			0008, 0198, 0213,
		1141, 1154, 1156,			5960, 5975, 5984.			0214, 0217, 0218,
		1158, 1160, 1207,	117A	498981	Jet-Main			0219, 0220, 0222,
		1230, 1233, 1243,			(Standard)			0224, 0225, 0226,
		1245, 1265, 1269,			----- Note -----			0227, 0229, 0230,
		1308, 1334, 1382,			797574 Jet Main			0232, 0233, 0234,
		1410, 1436, 1513,			(Standard)			0469, 0960, 5002,
		1551, 1931, 2207,			Used on Type No(s).			5003, 5010, 5045,
		3824, 3845, 3846,			0002, 0231, 0236,			5052, 5136, 5141,
		3863, 4136, 4142,			0977.			5149, 5150, 5154,
		4150, 4846, 4984,	117B	697355	Jet-Main			5157, 5158, 5170,
		5148, 5159, 5208,			(Standard)			5172, 5175, 5176,
		5269, 5762, 5846.	118	798660	Jet-Main			5181, 5182, 5184,
					(High Altitude)			5186, 5188, 5191,
					----- Note -----			5192, 5193, 5195,
					497315 Jet-Main			5196, 5197, 5200,
					(High Altitude)			5202, 5205, 5206,
					Used on Type No(s).			5207, 5210, 5211,
					0110, 0112, 0113,			5230, 5243, 5308,
					0118, 0120, 0121,			5342, 5348, 5384,
					0122, 0125, 0126,			5390, 5392, 5396,
					0129, 0130, 0131,			5410, 5513, 5686,
					0134, 0136, 0139,			5704, 5752, 5753,
					0142, 0144, 0148,			5783, 5795, 5797,
					0150, 0158, 0159,			5935, 5960, 5975,
					0162, 0164, 0165,			5984.
					0167, 0169, 0183,			
					0188, 0189, 0192,			

122T00

REF. NO.	PART NO.	DESCRIPTION	REF. NO.	PART NO.	DESCRIPTION	REF. NO.	PART NO.	DESCRIPTION						
118A	494870	Jet-Main (High Altitude) ----- Note ----- 799178 Jet Main (Standard) Used on Type No(s). 0002, 0231, 0236, 0977.			1243, 1245, 1265, 1269, 1308, 1334, 1382, 1410, 1436, 1513, 1551, 1614, 1615, 1931, 2207, 3824, 3845, 3846, 3863, 4136, 4142, 4150, 4846, 4984, 5002, 5003, 5010, 5045, 5052, 5136, 5141, 5148, 5149, 5150, 5154, 5157, 5158, 5159, 5170, 5172, 5175, 5176, 5181, 5182, 5184, 5186, 5188, 5191, 5192, 5193, 5195, 5196, 5197, 5200, 5202, 5205, 5206, 5207, 5210, 5211, 5230, 5243, 5208, 5269, 5308, 5342, 5348, 5384, 5390, 5392, 5396, 5410, 5513, 5686, 5704, 5752, 5753, 5762, 5783, 5795, 5797, 5846, 5935, 5960, 5975, 5984.	187D	795090	Line-Fuel (Molded)						
118B	692677	Jet-Main (High Altitude)				188	693399	Screw (Control Bracket)						
121	498260	Kit-Carburetor Overhaul				190	690940	Screw (Fuel Tank)						
125	498170	Carburetor (Primer System) ----- Note ----- 799872 Carburetor (Primer System) Used on Type No(s). 0001, 0003, 0004, 0007, 0008, 0009, 0010, 0011, 0012, 0013, 0015, 0020, 0021, 0110, 0112, 0113, 0118, 0120, 0121, 0122, 0125, 0126, 0129, 0130, 0131, 0134, 0136, 0139, 0142, 0144, 0148, 0150, 0158, 0159, 0162, 0164, 0165, 0167, 0169, 0183, 0188, 0189, 0192, 0198, 0201, 0204, 0205, 0208, 0209, 0213, 0214, 0217, 0218, 0219, 0220, 0222, 0224, 0225, 0226, 0227, 0228, 0229, 0230, 0232, 0233, 0234, 0235, 0377, 0469, 0762, 0781, 0824, 0831, 0845, 0846, 0863, 0868, 0879, 0888, 0897, 0903, 0907, 0908, 0913, 0914, 0935, 0960, 1002, 1007, 1012, 1027, 1062, 1063, 1089, 1093, 1099, 1108, 1141, 1154, 1156, 1158, 1160, 1207, 1230, 1233,	125A	799869	Carburetor (Choke System) ----- Note ----- 790978 Carburetor (Choke System) Used on Type No(s). 1726,1727.	202	691829	Link-Mechanical Governor						
			125B	799871	Carburetor (Autochoke System)	209B	691292	Spring-Governor ----- Note ----- 691291 Spring- Governor Used on Type No(s). 0112, 0114, 0118, 0120, 0125, 0126, 0129, 0130, 0131, 0136, 0158, 0159, 0164, 0165, 0171, 0188, 0192, 0195, 0204, 0218, 0219, 0831, 0863, 0868, 0977, 1012, 1382, 3863, 4136, 5159, 5136, 5188, 5192, 5195. 699056 Spring- Governor Used on Type No(s). 0001, 0002, 0012, 0021, 0111, 0133, 0134, 0147, 0167, 0169, 0183, 0190, 0193, 0201, 0205, 0377, 0762, 0781, 0824, 0845, 0846, 0866, 0879, 0888, 0903, 0907, 0908, 0913, 0914, 0935, 0960, 1027, 1054, 1093, 1141, 1207, 1245, 1265, 1269, 1308, 1334, 1436, 1513, 1551, 1730, 1782, 1785, 2003, 2008, 2051, 2052, 2062, 2207, 2686, 3824, 3845, 3846, 4846, 5003, 5052, 5190, 5193, 5205, 5269, 5390, 5513, 5686, 5762, 5846, 5935.						
			127	694468	Plug-Welch									
			130	696564	Valve-Throttle									
			133	398187	Float-Carburetor									
			134	398188	Kit-Needle/Seat									
			137	796610	Gasket-Float Bowl (1/8" Thick)									
			137A	693981	Gasket-Float Bowl (1/16" Thick)									
			141	796193	Shaft-Choke									
			163	795629	Gasket-Air Cleaner									
			187	791766	Line-Fuel (Cut to Required Length)									
			187A	791873	Line-Fuel (Molded)									

REF. NO.	PART NO.	DESCRIPTION	REF. NO.	PART NO.	DESCRIPTION
		691851 Spring-Governor Used on Type No(s). 0148, 0149, 0150, 0155, 0162, 0177, 0178, 0189, 0200, 0206, 0207, 0208, 0213, 0214, 0220, 0227, 0233, 1733, 1781, 1815, 1975, 2006, 2010, 2048, 4150, 5010, 5148, 5149, 5150, 5200, 5206, 5207, 5208, 5308, 5348, 5975.			790143 Bracket-Control (Used Before Code Date 14020300). Used on Type No(s). 0001, 0004, 0008, 0010, 0012, 0021, 0110, 0164, 0172, 0176, 0191, 0195, 0198, 0209, 0213, 0217, 0218, 0219, 0222, 0224, 0225, 0226, 0227, 0228, 0229, 0230, 0232, 0233, 0234, 0704, 1382, 1783, 1815, 1960, 2003, 2008, 2010, 2052, 2686, 4753, 4792, 5003, 5010, 5045, 5152, 5154, 5157, 5158, 5170, 5172, 5175, 5182, 5184, 5186, 5188, 5191, 5192, 5193, 5195, 5197, 5202, 5210, 5392, 5686, 5704, 5752, 5753, 5783, 5960.
		691852 Spring-Governor Used on Type No(s). 0007, 0009, 0013, 0015, 0020, 0141, 0144, 0153, 0191, 0196, 0224, 0231, 0235, 0236, 0994, 1230, 1727, 1790, 1792, 1967, 2060, 2378, 4792, 4793, 5141, 5191, 5196, 5230, 5392, 5793.			(Used Before Code Date 14012700). Used on Type No(s). 0160, 0738.
		790944 Spring-Governor Used on Type No(s). 0160, 0738.			222F 593541 Bracket-Control (Manual Friction 5 Position Manual Choke). (Used After Code Date 14012600). Used on Type No(s). 0160, 0738.
217	690354	Spring-Choke Return			
222	790143	Bracket-Control (Remote/Manual Friction)(Primer)			
		----- Note -----			
		790143 Bracket-Control (Used After Code Date 14021200). Used on Type No(s). 0001, 0008, 0010, 0012, 0198, 0217, 0218, 0219, 0222, 0225, 0226, 0227, 0229, 0232, 0234, 5003, 5010, 5052, 5170, 5172, 5184, 5186, 5188, 5191, 5192, 5202, 5686.	222B	790982	Bracket-Control (Manual Friction) (Choke A Matic) (Used Before Code Date 07070900). Used on Type No(s). 1726, 1727.
			222C	692150	Bracket-Control (Variable Speed) (5 Position Manual Choke) (Used Before Code Date 14012700). Used on Type No(s). 0002, 0114, 0171, 0177, 0178, 0231, 0236, 0677, 0831, 0977.
			222E	692982	Bracket-Control (Manual Friction 5 Position Manual Choke).
					222G 593542 Bracket-Control (Used After Code Date 14020200). Used on Type No(s). 0004, 0164, 0172, 0176, 0191, 0195, 0209, 0213, 0224, 0228, 0230, 0704, 1382, 1783, 1815, 1960, 2003, 2008, 2010, 2052, 2686, 4753, 4792, 5045, 5154, 5157, 5158, 5175, 5182, 5193, 5195, 5197, 5210, 5392, 5704, 5752, 5753, 5783, 5960.
					593542 Bracket-Control (Used Before Code Date 14021300 and After Code Date 14020200). Used on Type No(s). 0001, 0008, 0010, 0012, 0021, 0110, 0198, 0217, 0218, 0219, 0222, 0225, 0226, 0227, 0229, 0232, 0234, 5003, 5010, 5052, 5170, 5172, 5184, 5186, 5188, 5191, 5192, 5202, 5686.
					222J 593823 Bracket-Control (Used After Code Date 14012600). Used on Type No(s). 0002, 0171, 0177, 0178, 0231, 0236, 0831, 0977.

122T00

REF. NO.	PART NO.	DESCRIPTION	REF. NO.	PART NO.	DESCRIPTION	REF. NO.	PART NO.	DESCRIPTION	
222K	593582	Bracket-Control Used on Type No(s). 0003, 0007, 0009, 0011, 0013, 0015, 0020, 0112, 0113, 0136, 0144, 0150, 0153, 0167, 0169, 0173, 0181, 0183, 0201, 0205, 0211, 0214, 0235, 0377, 0762, 0781, 0824, 0845, 0846, 0866, 0879, 0888, 0897, 0903, 0907, 0908, 0913, 0914, 0935, 0960, 0984, 0994, 1002, 1008, 1027, 1054, 1093, 1099, 1108, 1141, 1160, 1207, 1230, 1243, 1245, 1265, 1269, 1308, 1334, 1410, 1436, 1513, 1551, 1614, 1615, 1719, 1723, 1795, 1797, 1904, 1963, 2207, 3824, 3845, 3846, 4136, 4150, 4846, 4984, 5002, 5136, 5150, 5181, 5205, 5211, 5230, 5243, 5269, 5384, 5410, 5513, 5762, 5795, 5797, 5846, 5935, 5984.	287	690940	Screw (Dipstick Tube)				0232, 0233, 0234, 0235, 0377, 0469, 0704, 0935, 0960, 0977, 1207, 1334, 1614, 1615, 1783, 1960, 2003, 2010, 2052, 2686, 3846, 4136, 4752, 4753, 4792, 5003, 5010, 5045, 5052, 5136, 5150, 5154, 5157, 5158, 5170, 5172, 5175, 5176, 5182, 5184, 5186, 5191, 5193, 5202, 5206, 5210, 5243, 5384, 5392, 5686, 5704, 5752, 5753, 5783, 5797, 5846, 5935, 5960, .
			291	593208	Thermostat				
			300	692038	Muffler ----- Note ----- 692038 Muffler (Used Before Code Date 13122300) Used on Type No(s). 0001, 0003, 0004, 0007, 0008, 0009, 0010, 0011, 0012, 0013, 0015, 0020, 0110, 0121, 0172, 0176, 0177, 0178, 0186, 0191, 0198, 0198, 0202, 0209, 0213, 0214, 0217, 0220, 0222, 0224, 0225, 0226, 0228, 0229, 0230, 0231, 0232, 0233, 0234, 0235, 0377, 0704, 0935, 0960, 0977, 1207, 1334, 1614, 1615, 1783, 1960, 2003, 2010, 2052, 2686, 3846, 4136, 4752, 4753, 4792, 5003, 5010, 5045, 5052, 5136, 5150, 5154, 5157, 5158, 5170, 5172, 5175, 5176, 5182, 5184, 5186, 5191, 5193, 5202, 5206, 5210, 5243, 5384, 5392, 5686, 5704, 5752, 5753, 5783, 5797, 5846, 5935, 5960. .				
227	690783	Lever-Governor Control						790828 Muffler (Ready Start) Used on Type No(s). 0111, 0153, 0173, 0866, 0994, 1008, 2047, 2058, 2059.	
231	691636	Screw (Choke Valve)						593581 Muffler (Ready Start) (Used After Code Date 13122200). Used on Type No(s). 0173.	
236	691826	Link-Lockout						790828 Muffler (Ready Start) (Used Before Code Date 13122300). Used on Type No(s). 0173.	
265	690798	Clamp-Casing							
265A	691024	Clamp-Casing							
267	691044	Screw (Casing Clamp)						593819 Muffler (Used After Code Date 13122200). Used on Type No(s). 0001, 0003, 0004, 0007, 0008, 0009, 0010, 0011, 0012, 0013, 0015, 0020, 0021, 0110, 0121, 0121, 0176, 0177, 0178, 0186, 0191, 0198, 0202, 0209, 0213, 0214, 0217, 0220, 0222, 0224, 0225, 0026, 0228, 0229, 0230, 0231,	
268	691025	Casing-Control Wire (Cut to Required Length)							
269	691026	Wire-Control (Cut to Required Length)							
270	691027	Nut (Control Wire Casing)							
271	691028	Lever-Control							
276	271716	Washer-Sealing (Main Jet)							

REF. NO.	PART NO.	DESCRIPTION	REF. NO.	PART NO.	DESCRIPTION	REF. NO.	PART NO.	DESCRIPTION	
304	795071	Housing-Blower ----- Note ----- 493294 Housing-Blower Used on Type No(s). 0001, 0002, 0008, 0012, 0021, 0110, 0114, 0118, 0120, 0125, 0126, 0129, 0139, 0147, 0148, 0149, 0155, 0158, 0159, 0160, 0162, 0164, 0165, 0170, 0171, 0177, 0178, 0188, 0189, 0190, 0192, 0193, 0195, 0200, 0204, 0218, 0219, 0222, 0227, 0229, 0231, 0232, 0233, 0236, 0738, 0831, 0863, 0868, 0977, 1012, 1382, 1720, 1721, 1781, 1782, 1785, 1815, 1975, 2003, 2006, 2010, 2048, 2049, 2051, 2052, 2062, 2686, 3863, 5003, 5010, 5052, 5148, 5149, 5159, 5170, 5188, 5190, 5192, 5193, 5195, 5200, 5348, 5390, 5686, 5975.		695892 Housing-Blower Used on Type No(s). 0003, 0004, 0007, 0009, 0010, 0011, 0013, 0015, 0020, 0121, 0133, 0134, 0141, 0156, 0157, 0167, 0169, 0172, 0175, 0176, 0182, 0183, 0184, 0186, 0191, 0196, 0197, 0198, 0201, 0202, 0205, 0206, 0207, 0208, 0209, 0210, 0211, 0213, 0214, 0217, 0224, 0225, 0226, 0228, 0230, 0234, 0235, 0377, 0704, 0762, 0781, 0824, 0845, 0879, 0888, 0897, 0908, 0913, 0914, 0935, 0960, 1002, 1007, 1027, 1062, 1063, 1089, 1093, 1099, 1108, 1141, 1154, 1156, 1157, 1158, 1207, 1230, 1233, 1243, 1245, 1265, 1269, 1410, 1436, 1513, 1551, 1614 , 1615 , 1721, 1722, 1723, 1734, 1783, 1791, 1793, 1796, 1904, 1931, 1959, 1960, 2041, 2045, 2057, 2060, 2207, 2380, 3824, 3845, 4136, 4150, 4792, 4793, 4752, 4846, 4984, 5202, 5045, 5136, 5141, 5150, 5154, 5157, 5172, 5175, 5176, 5182, 5184, 5186, 5191, 5196, 5197, 5205, 5206, 5207, 5208, 5210, 5211, 5230, 5243, 5269, 5308, 5384, 5392, 5396, 5410, 5513, 5704, 5752, 5753, 5762, 5783, 5793, 5846, 5935, 5960, 5984.		790826 Housing-Blower Used on Type No(s). 0111, 0153, 0173, 0866, 0994, 1008, 2059. 791291 Housing-Blower Used on Type No(s). 2047. 790983 Housing-Blower Used on Type No(s). 2058.	305	691108	Screw (Blower Housing)
				306	690450	Shield-Cylinder			
				306A	790836	Shield-Cylinder			
				307	690345	Screw (Cylinder Shield)			
				309	799045	Motor-Starter			
				309A		Motor-Starter (For Replacement Starter Motor, Order Reference 309)			
				309B		Motor-Starter (For Replacement Starter Motor, Order Reference 309)			
				332	690662	Nut (Flywheel)			

122T00

REF. NO.	PART NO.	DESCRIPTION	REF. NO.	PART NO.	DESCRIPTION	REF. NO.	PART NO.	DESCRIPTION
333	590454	Armature-Magneto Used on Type No(s). 0001, 0021, 0111, 0112, 0113, 0114, 0118, 0120, 0121, 0122, 0125, 0129, 0130, 0131, 0133, 0134, 0136, 0148, 0149, 0150, 0152, 0155, 0160, 0165, 0167, 0169, 0171, 0183, 0189, 0190, 0193, 0200, 0201, 0204, 0206, 0207, 0208, 0209, 0210, 0213, 0220, 0233, 0377, 0738, 0762, 0781, 0824, 0831, 0845, 0846, 0863, 0903, 0907, 0914, 0935, 1012, 1027, 1207, 1245, 1308, 1385, 1513, 1551, 1709, 1730, 1733, 1735, 1752, 1753, 1754, 1766, 1781, 1785, 1790, 1851, 1909, 1927, 1963, 1967, 1975, 2003, 2006, 2008, 2010, 2033, 2041, 2047, 2048, 2049, 2050, 2051, 2053, 2062, 2207, 2237, 2309, 3824, 3845, 3846, 3863, 4846, 5010, 5052, 5148, 5190, 5193, 5208, 5762, 5846.	347	691396	Switch-Rocker	578	398153	Wire Assembly
			356	692390	Wire-Stop	578A	695283	Wire-Stop
			356B	693010	Wire-Stop	584	697734	Cover-Breather Passage
			356D	496381	Wire-Stop	585	691879	Gasket-Breather Passage
			357A	691483	Key-Drive Pulley	592	690800	Nut (Rewind Starter)
			358	590508	Gasket Set-Engine	597	691696	Screw (Pawl Friction Plate)
			362	793351	Boot-Spark Plug	598	592587	Shim-End Play (0.012" Thick)
			363	19069	Flywheel Puller	601	791850	Clamp-Hose
			374	691074	Washer (Camshaft)	601A	691038	Clamp-Hose
			377	690979	Key-Woodruff	604	691757	Cover-Control
			383	89838s	Wrench-Spark Plug	604B	790703	Cover-Control
			404	690272	Washer (Governor Crank)	604C	792418	Cover-Control
			425A	690670	Screw (Air Cleaner Cover)	604D	793770	Cover-Control
			443A	692523	Screw (Air Cleaner Primer Base)	608	497680	Starter-Rewind
			445A	491588s	Filter-Air Cleaner Cartridge	----- Note -----		
			455	791960	Cup-Flywheel	697671	Starter- Rewind	
			456	692299	Plate-Pawl Friction	Used on Type No(s). 0863, 0868, 1012, 1382, 3863.		
			459	281505s	Plate-Ratchet	791363	Starter- Rewind	
			467	790842	Knob-Air Cleaner Cover	Used on Type No(s). 0994, 1230, 5230.		
			474	691991	Alternator	613	691340	Screw (Muffler)
			497	690664	Screw (Stop Switch Bracket)	(1/4-20 x 2.75" Lg, 2.25" Shoulder Lg)		
			500	691086	Washer (Key Switch)	----- Note -----		
			505	691251	Nut (Governor Control Lever)	790833	Screw (Muffler)	
			510	795093	Drive-Starter	(1/4-20 x 2.75" Lg, 2.08" Shoulder Lg)		
			513	795100	Clutch-Drive	613A	691653	Screw (Muffler)
			523	499621	Dipstick	Retainer-Governor Shaft		
			524	692296	Seal-Dipstick Tube	616	698801	Crank-Governor
			525	495265	Tube-Dipstick	617	270344	Seal-O Ring (Intake Manifold)
			535	493537s	Filter-Pre Cleaner			
333A	590455	Armature-Magneto	562	691119	Bolt (Governor Control Lever)			
334	691061	Screw (Magneto Armature)	563	691138	Screw (Debris Guard Screen)			
337	591868	Plug-Spark (Used After Code Date 11063000). ----- Note ----- 796112S Plug-Spark (Resistor) (Used Before Code Date 11070100). 697451 Plug-Spark (EMS) (Used Before Code Date 11070100).	564	690664	Screw (Control Cover)			
			564B	698589	Screw (Control Cover)			
346	690661	Screw (Spark Arrestor)						

REF. NO.	PART NO.	DESCRIPTION	REF. NO.	PART NO.	DESCRIPTION	REF. NO.	PART NO.	DESCRIPTION
621	692310	Switch-Stop	741	797521	Gear-Timing (Metal)	853A	695897	Adapter-Wire
627	792565	Bracket-Stop Switch			(Used After Code Date 08021700).	868	590410	Seal-Valve (Used After Code Date 11063000).
633	691321	Seal-Choke/Throttle Shaft			----- Note -----			----- Note -----
633A	693867	Seal-Choke/Throttle Shaft			794388 Gear-Timing (Use Without Woodruff Key)			697338 Seal-Valve (Used Before Code Date 11070100).
635	66538s	Boot-Spark Plug			(Used After Code Date 07093000 and Before Code Date 08021800).	869	691155	Seat-Valve (Intake)
651	691660	Screw (Starter Gear Cover)			790345 Gear-Timing (Use Without Woodruff Key)	870	690380	Seat-Valve (Exhaust)
664	691087	Nut (Key Switch)			(Used Before Code Date 07100100).	871	590409	Bushing-Valve Guide (Exhaust) (Used After Code Date 11063000).
668	493823	Spacer			691830 Gear-Timing (Uses Woodruff Key)			----- Note -----
670	692294	Spacer-Fuel Tank	742	93941	Retainer-E Ring			590409 Bushing-Valve Guide (Intake) (Used After Code Date 11063000).
676	396548	Deflector-Muffler	745	691648	Screw (Brake)			262001 Bushing-Valve Guide (Exhaust) (Used Before Code Date 11070100).
676A	393756	Deflector-Muffler	783	795099	Gear-Pinion			63709 Bushing-Valve Guide (Intake) (Used Before Code Date 11070100).
676B	397931	Deflector-Muffler	783A	795096	Gear-Pinion			883 691881 Gasket-Exhaust
676C	493871	Deflector-Muffler	785	692352	Gasket-Starter Cover			892 690646 Switch-Key
676E	393760	Deflector-Muffler	789B	792685	Harness-Wiring			910 691094 Stud (Alternator)
677	690661	Screw (Muffler Deflector) (Thread Forming)	789E	594392	Harness-Wiring			921B 692931 Cover-Blower Housing
677A	593440	Screw (Self Drilling) (Thread Forming)	789F	594393	Harness-Wiring			921C 695889 Cover-Blower Housing
684	690345	Screw (Breather Passage Cover)	832	593875	Guard-Muffler			921E 696262 Cover-Blower Housing
689	691855	Spring-Friction	832E	793568	Guard-Muffler			921F 697343 Cover-Blower Housing
692	590931	Spring-Detent	836	690664	Screw (Muffler Guard)			921G 795064 Cover-Blower Housing
697	691127	Screw	836C	790745	Screw (Muffler Guard)			921H 790037 Cover-Blower Housing
703	696309	Clip	842	691031	Seal-O Ring (Dipstick Tube)			921J 790036 Cover-Blower Housing
718	690959	Pin-Locating	843	691884	Sleeve-Lever (Control Bracket)			921K 699984 Cover-Blower Housing
721	690449	Stop-Shaft	843A	691895	Sleeve-Lever (Choke)			921L 791026 Cover-Blower Housing
			847	692047	Dipstick/Tube Assembly			921M 792652 Cover-Blower Housing
			851	493880s	Terminal-Spark Plug			921N 792675 Cover-Blower Housing
			851A	692424	Terminal-Spark Plug			921P 792687 Cover-Blower Housing
			853	695268	Adapter-Wire			921R 793771 Cover-Blower Housing
					----- Note -----			921U 794355 Cover-Blower Housing
					698471 Adapter-Wire Used on Type No(s). 0148, 0208, 0219, 5148, 5208, 5308, 5348.			921Y 798277 Cover-Blower Housing
					799467 Adapter-Wire Used on Type No(s). 0190, 5190, 5390.			921Z 592290 Cover-Blower Housing
								922 691831 Spring-Brake
								922A 692135 Spring-Brake

122T00

REF. NO.	PART NO.	DESCRIPTION	REF. NO.	PART NO.	DESCRIPTION	REF. NO.	PART NO.	DESCRIPTION
923	796387	Brake	966A	593942	Base-Air Cleaner Primer	966B	795259	Base-Air Cleaner Primer
923B	796136	Brake Used on Type No(s). 0003, 0004, 0007, 0009, 0011, 0013, 0111, 0121, 0133, 0134, 0172, 0175, 0176, 0182, 0186, 0189, 0198, 0202, 0206, 0207, 0209, 0210, 0211, 0214, 0217, 0228, 0230, 0235, 0469, 0824, 0831, 0845, 0866, 0879, 0888, 0897, 0908, 0913, 0914, 0960, 1002, 1721, 1722, 1723, 1734, 1783, 1784, 1791, 1793, 1904, 1931, 1959, 1960, 2041, 2045, 2057, 2059, 2060, 2380, 3824, 3845, 4136, 4150, 4752, 4753, 5002, 5045, 5136, 5150, 5172, 5175, 5176, 5182, 5186, 5202, 5206, 5207, 5210, 5211, 5752, 5753, 5783.	966A	593942	Base-Air Cleaner Primer (Used After Code Date 14012600). Used on Type No(s). 0003, 0007, 0011, 0013, 0020, 0214, 0377-B2, 0935, 0960, 1207, 1334, 1614, 1615, 3846, 4136, 5136, 5150, 5243, 5384, 5797, 5846, 5935. ----- Note ----- 593942 Base-Air Cleaner Primer (Used After Code Date 14020200). Used on Type No(s). 0001, 0004, 0008, 0010, 0012, 0021, 0110, 0164, 0172, 0176, 0191, 0195, 0198, 0213, 0217, 0218, 0219, 0222, 0225, 0226, 0227, 0228, 0229, 0230, 0232, 0234, 0704, 1783, 1960, 2003, 2008, 2010, 2052, 2686, 4753, 4792, 5045, 5154, 5157, 5158, 5170, 5172, 5184, 5186, 5188, 5191, 5192, 5193, 5195, 5197, 5202, 5210, 5392, 5686, 5704, 5752, 5753, 5783, 5960, 593942 Base-Air Cleaner Primer (Used After Code Date 14041600). Used on Type No(s). 0009, 0015, 0224, 0235, 0469.	966B	795259	Base-Air Cleaner Primer ----- Note ----- 795259 Base-Air Cleaner Primer (Used Before Code Date 14012700). Used on Type No(s). 0002, 0003, 0007, 0011, 0013, 0020, 0177, 0178, 0214, 0231, 0236, 0377-B2, 0935, 0960, 0977, 1207, 1334, 1614, 1615, 3846, 4136, 5136, 5150, 5243, 5384, 5797, 5846, 5935, 795259 Base-Air Cleaner Primer (Used Before Code Date 14020300). Used on Type No(s). 0001, 0004, 0008, 0010, 0012, 0110, 0164, 0172, 0176, 0191, 0195, 0198, 0213, 0217, 0218, 0219, 0222, 0225, 0226, 0227, 0228, 0229, 0230, 0232, 0234, 0704, 1783, 1960, 2003, 2008, 2010, 2052, 2686, 4753, 4792, 5045, 5154, 5157, 5158, 5170, 5172, 5175, 5176, 5182, 5184, 5186, 5188, 5191, 5192, 5193, 5195, 5197, 5202, 5210, 5392, 5686, 5704, 5752, 5753, 5783, 5960. 795259 Base-Air Cleaner Primer (Used Before Code Date 14041700). Used on Type No(s). 0009, 0015, 0224, 0235.
925	795403	Cover-Linkage						
930	691919	Guard-Rewind						
935	499421	Switch-Interlock (Used Before Code Date 08050100).						
937	795098	Spline-Starter						
937A	799420	Spline-Starter						
949	696306	Guard-Debris Screen						
957A	692046	Cap-Fuel Tank (Plastic)						
957B	796577	Cap-Fuel Tank (Plastic)						
958	698183	Valve-Fuel Shut Off						
966	593580	Base-Air Cleaner (Used After Code Date 14012600). Used on Type No(s). 0002, 0177, 0178, 0231, 0236, 0977.						

REF. NO.	PART NO.	DESCRIPTION	REF. NO.	PART NO.	DESCRIPTION	REF. NO.	PART NO.	DESCRIPTION
968B	692298	Cover-Air Cleaner	994	398067	Arrestor-Spark	1210	498144	Pulley/Spring
969	690700	Screw (Blower Housing Cover)	997	696310	Shield-Debris			Assembly (Pulley)
969A	691138	Screw (Blower Housing Cover)	1005	691346	Fan-Flywheel	1211	498144	Pulley/Spring Assembly (Spring)
972	699392	Tank-Fuel (Plastic)	1036		Label-Emissions (Available From A Briggs & Stratton Authorized Dealer)	1319	794467	Label-Warning
972B	699374	Tank-Fuel	1058	380567	Operator's Manual	1330	270962	Manual-Repair
975	796611	Bowl-Float	1059	692311	Kit-Screw/Washer	1386	790848	Vane-Air (Autochoke System)
976	694395	Primer-Carburetor	1095	590507	Gasket Set-Valve	1387	790849	Spring-Air Vane
990	691959	Key Set	1102	691255	Pilot-Guide	1388	790850	Screw (Air Vane) (Autochoke System)
994	398067	Arrestor-Spark	1119	692979	Screw (Alternator)			
994B	792245	Arrestor-Spark	1160	690345	Screw (Interlock Switch)			

Not for
Reproduction

Not for
Reproduction

