

122700 to 122799

Illustrated Parts List

Model Series

122700 to 122799

TYPE NUMBERS
0101 through 0108,
0115 through 0213,
3101 through 3108,
3115 through 3155,
3160 through 3165,
3168 through 3183.

TYPE NUMBERS
3186 through 3200,
3207 through 3209,
3212 through 3224,
3300 through 3335,
4000 through 4011,
7002 through 7018.

TO FIND

THE CORRECT NUMBER OF THE PART YOU NEED: FOLLOW THE INSTRUCTIONS BELOW

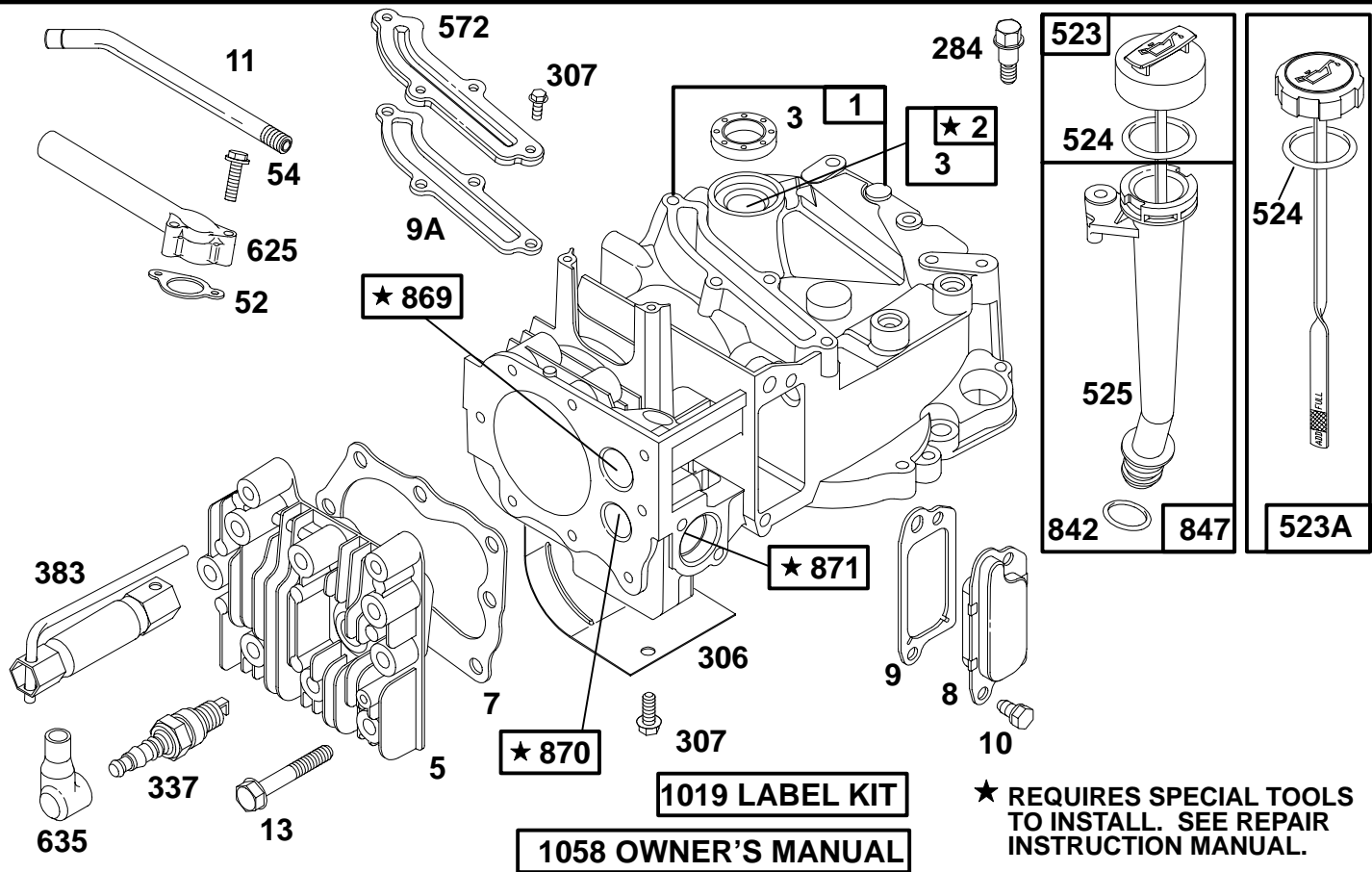
- A. Refer to Engine Model, Type and Code Number that is stamped on the blower housing of engine. Engine type numbers such as 0123 01 are listed only as 0123 in most instances. The two digits (01 or 02, etc.) to the right of the space may be required for more accurate parts identification in some instances. Select the Illustrated Parts List covering the correct Model Series and Type Number.
- B. Refer to the Illustrations and compare the original part with Illustration. The number next to the illustration is the Reference Number. Assemblies include all parts shown in frames. All parts shown in assembly frames having individual reference numbers can be purchased separately.
- C. After the Reference Number has been identified, refer to the Numerical text, where Reference and Primary Part Number are listed. **THE PRIMARY PART IS USED ON ALL TYPE NUMBERS EXCEPT THOSE TYPE NUMBERS UNDER "NOTE."**
- D. If a "Note" appears below the Primary Part Number, it means that this part differs from the Primary Part for certain types. If your Type number is listed under "Note," order the part referred to at the "Note."
- E. If your Engine Type Number does not appear after any part number listed under "Note," use the Primary Part Number.
- F. For Engine Type Numbers not covered by this book, check other Parts Lists having the same engine model or contact your source of supply.

PRINTED IN U.S.A.

COPYRIGHT©

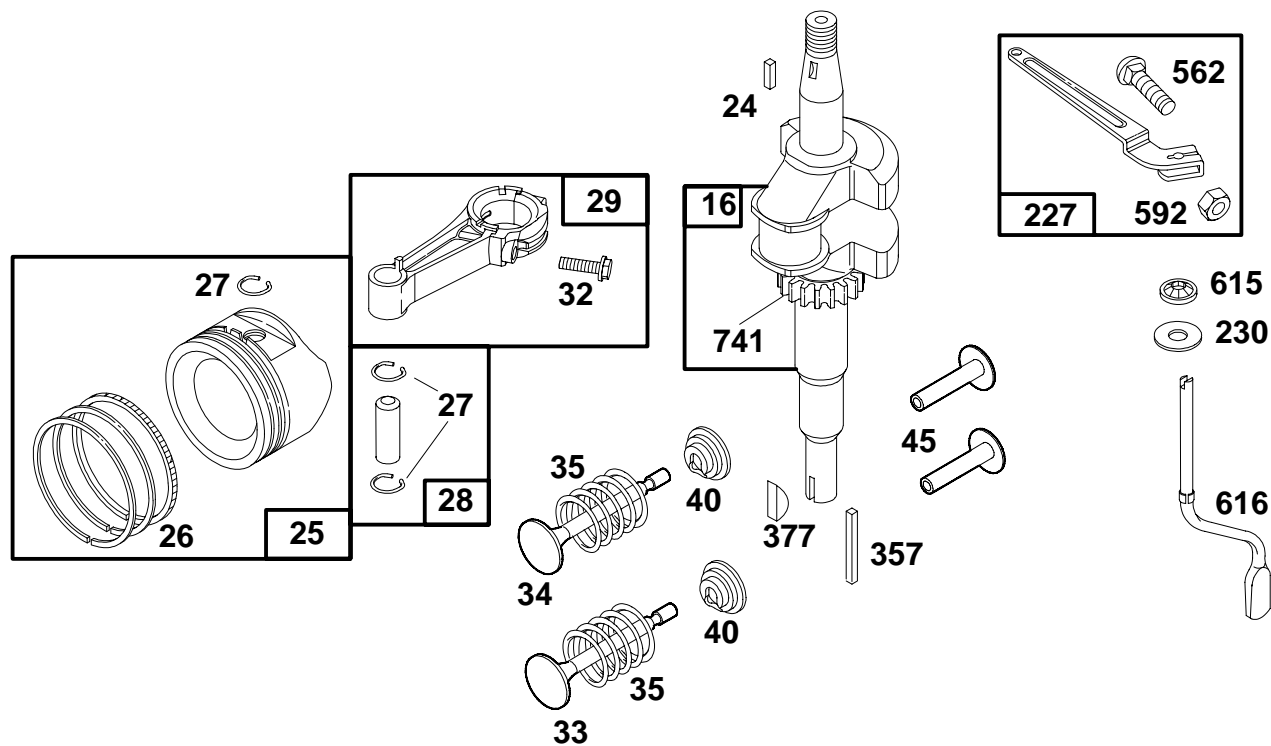


122700 to 122799



REF. NO.	PART NO.	DESCRIPTION	REF. NO.	PART NO.	DESCRIPTION	REF. NO.	PART NO.	DESCRIPTION
1	493260	Cylinder			Note	635	66538	Boot-Spark Plug
2	293708	Bushing			493950 Cap-Oil Fill	842	★280966	Seal-Cap
3	★299819	Seal-Oil			(Used Before Code Date 92072700).	847	495263	Tube-Oil Fill
5	213861	Head-Cylinder			(Used After Code Date 89121300).			Note
7	★272200	Gasket-Cylinder Head	523A	493950	Cap-Oil Fill			493459 Tube-Oil Fill
8	494489	Breather Assembly			(Used After Code Date 89121300).			(Used Before Code Date 92072700).
9	★272481	Gasket-Breather			Note	869	213512	Seat-Valve
9A	★272238	Gasket-Breather			493459 Cap-Oil Fill			(Intake)
10	94222	Screw-Breather Mtg.			(Used Before Code Date 89121400).	870	213513	Seat-Valve
11	231685	Tube-Breather			(Used After Code Date 92072600).			(Exhaust)
13	94547	Screw-Cylinder Hd.			Note	871	262001	Bushing-Guide
52	★272199	Gasket-Intake Elbow	524	★280393	Seal-Filler Tube			(Exhaust)
54	94526	Screw-Int. Elbow Mtg.	525	495265	Tube-Oil Fill			Note
284	94511	Screw-Hex. Head			(Used After Code Date 92072600).			63709 Bushing-Guide
306	224324	Shield-Cylinder			493952 Tube-Oil Fill			(Intake)
307	94515	Screw-Hex. Head			(Used Before Code Date 92072700).	1019	494256	Label Kit
337		Plug-Spark			(Used After Code Date 92072600).	1058	272262	Owner's Manual
		See Last Pages.	572	224328	Baffle-Cylinder			
383	89838	Wrench-Spark Plug	625	492717	Manifold-Intake			
523	495264	Cap-Oil Fill						
		(Used After Code Date 92072600).						

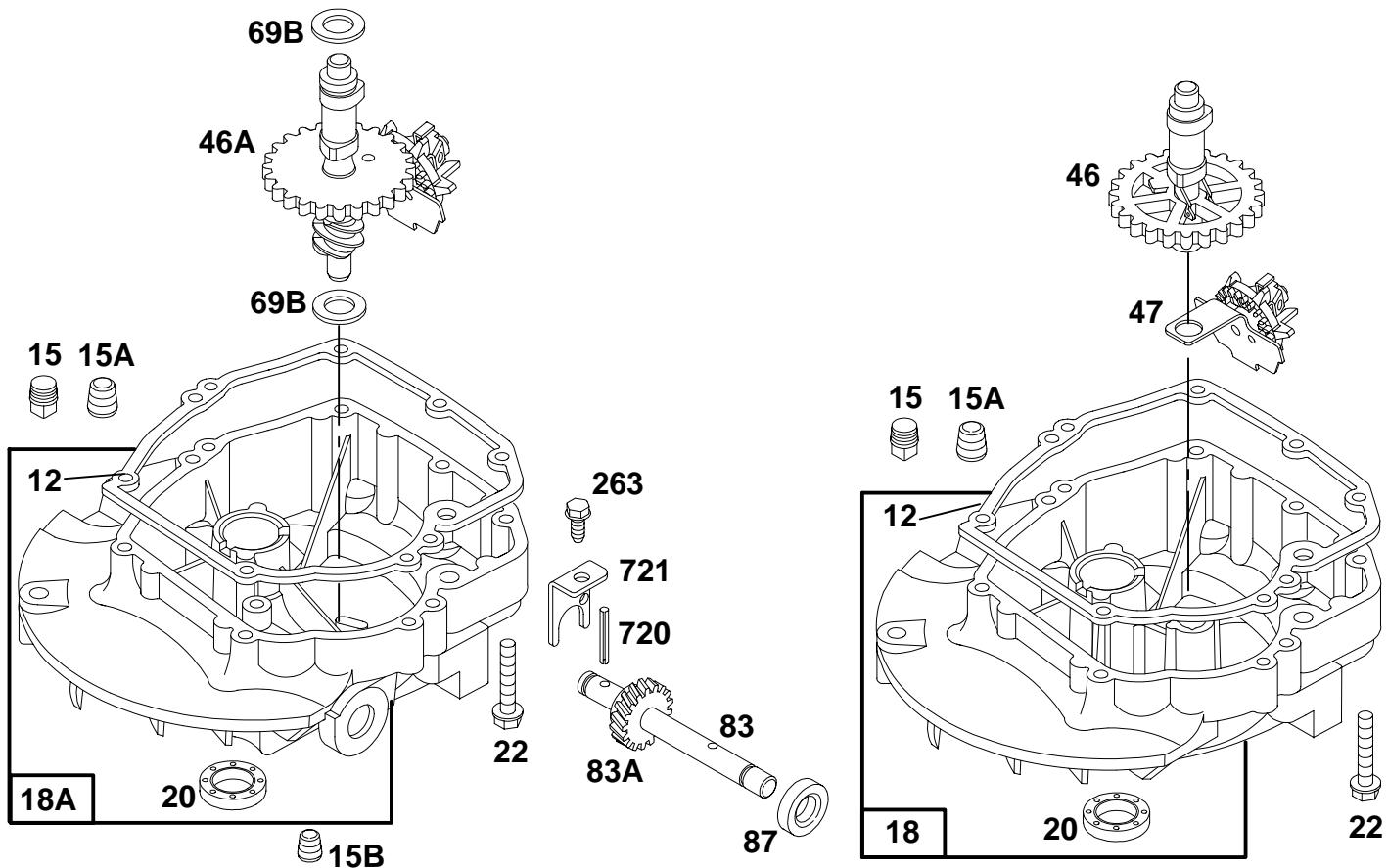
- ★ Included in Gasket Set-See Ref. 358.
- Included in Carburetor Kit-Part No. 493762.
- ◆ Included in Carburetor Gasket Set-Part No. 490937.



REF. NO.	PART NO.	DESCRIPTION	REF. NO.	PART NO.	DESCRIPTION	REF. NO.	PART NO.	DESCRIPTION
16		Crankshaft See Last Pages.		493390	Ring Set (.030" O.S.)	45	262204	Tappet-Valve
24	222698	Key-Flywheel	27	26026	Lock-Piston Pin	227	492349	Lever Assembly-Gov.
25	493262	Piston Assy. (Standard)	28	298909	Pin-Piston (Standard)	230	67072	Washer-Gov. Crank
		493385 Piston Assy. (.010" O.S.)			298908 Pin-Piston (.005" O.S.)	357	91539	Key-Drive Pulley
		493386 Piston Assy. (.020" O.S.)	29	490566	Rod-Connecting	377	93065	Key-Woodruff (For 7/8" Dia. Crankshaft)
		493387 Piston Assy. (.030" O.S.)			490743 Rod-Connecting (.020" Undersize)			Note ——— 94329 Key-Woodruff (For 25 mm. Crankshaft)
26	493261	Ring Set (Standard)	32	94699	Screw-Connecting Rod	562	92613	Bolt-Governor Lever
		493388 Ring Set (.010" O.S.)	33	262651	Valve-Exhaust	592	231082	Nut-Hex.
		493389 Ring Set (.020" O.S.)	34	262652	Valve-Intake	615	94474	Fastener
			35	262224	Spring-Valve	616	262578	Crank-Governor
			40	93312	Retainer-Valve	741	262598	Gear-Timing

- ★ Included in Gasket Set-See Ref. 358.
- Included in Carburetor Kit-Part No. 493762.
- ◆ Included in Carburetor Gasket Set-Part No. 490937.

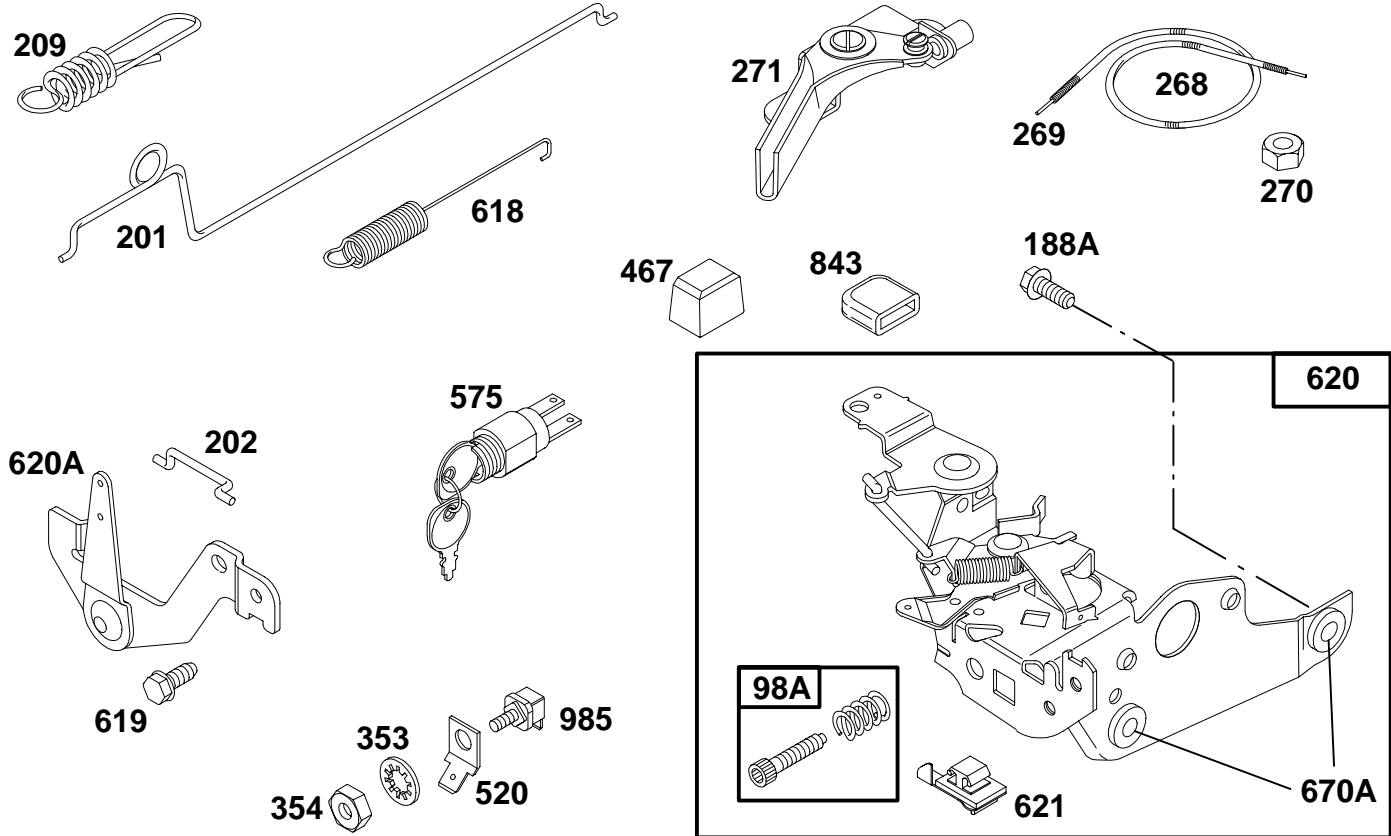
122700 to 122799



REF. NO.	PART NO.	DESCRIPTION	REF. NO.	PART NO.	DESCRIPTION	REF. NO.	PART NO.	DESCRIPTION	
12	★272198	Gasket—Crankcase			See Last Pages. 47 493737 Slinger—Oil (Used After Code Date 90030450 and 90031800). <hr/> Note 492524 Slinger—Oil (Used Before Code Date 90030550 and 90031900). 69B 68938 Washer—Thrust 83 231671 Shaft—Drive <hr/> Note 231711 Shaft—Drive Used on Type No(s). 3170, 3191, 3195. 231748 Shaft—Drive Used on Type No(s). 0165, 0173, 0174, 0205, 3130, 3132, 3160.			231909 Shaft—Drive Used on Type No(s). 3320. 83A 231278 Gear—Drive <hr/> Note 231279 Gear—Drive Used on Type No(s). 0131, 0139, 0165, 0173, 0174, 0188, 0203, 0204, 3124, 3132, 3134, 3144, 3160, 3165, 3170, 3172, 3174, 3175, 3190, 3191, 3194, 3195, 3208, 3311, 3320. 87 391484 Seal—Oil 263 94602 Screw—Hex. Head 720 93474 Pin—Roll 721 224249 Stop—Shaft	
15	94239	Plug—Oil Drain	47	493737					
15A	94613	Plug—Oil Drain (Hex. Socket)							
15B	94470	Plug—Pipe (Hex. Socket, 1/16–27 NPTF)							
18	493279	Sump—Engine							
18A	493365	Sump—Engine Used on Model Series 122782, 122787.							
20	★399781	Seal—Oil							
22	94220	Screw—Hex. Head <hr/> Note 94612 Screw—Hex. Head One Used in Hole Nearest Breather.							
46	492828	Gear—Cam							
46A		Gear—Cam							

- ★ Included in Gasket Set—See Ref. 358.
- ◆ Included in Carburetor Kit—Part No. 493762.
- ◆ Included in Carburetor Gasket Set—Part No. 490937.

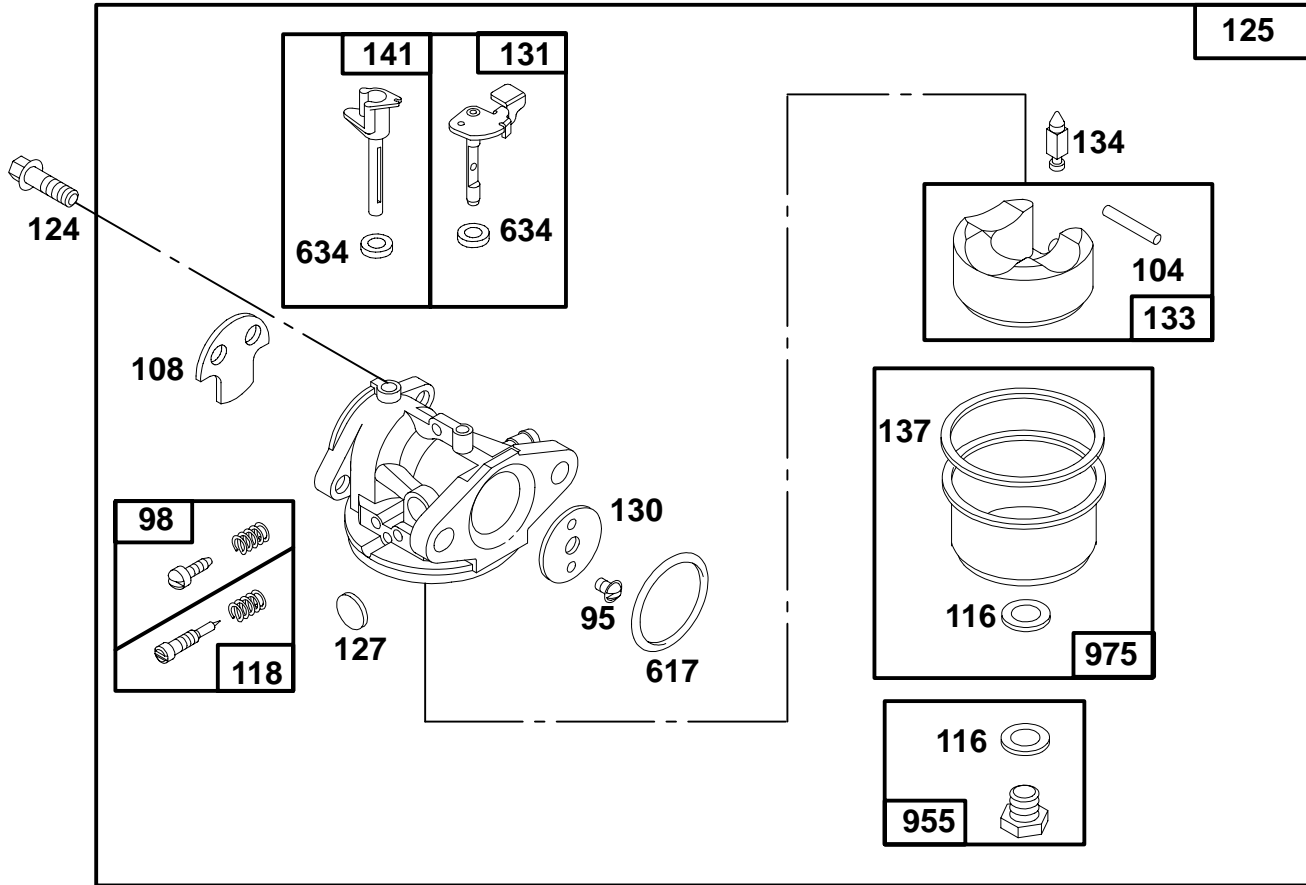
122700 to 122799



REF. NO.	PART NO.	DESCRIPTION	REF. NO.	PART NO.	DESCRIPTION	REF. NO.	PART NO.	DESCRIPTION
98A	493280	Screw—Speed Adj.	269	26099	Wire—Control (54" Long)	618	262749	Spring—Return (Used After Code Date 90060300).
188A	94644	Screw—Hex. Head			Note			Note
201	262579	Link			If Longer Wire is Needed, Specify Length in Inches; if Shorter Wire is Needed, Cut to Length.			260870 Spring—Return (Used Before Code Date 90060400).
202	262782	Link	270	63426	Locknut—Casing	619	94620	Screw—Hex. Hd.
209		Spring—Governor	271	290568	Lever—Control	620		Bracket—Control
		See Last Pages.	353	92791	Washer—Lock			See Last Pages.
268	66986	Casing—Wire (48" Long)	354	90576	Nut—Hex.	620A	494112	Bracket—Control
		Note	467	280857	Knob	621	396847	Switch—Stop
		If Longer Casing is Needed, Specify Length in Inches; if Shorter Casing is Needed, Cut to Length.	520	93722	Terminal	670A	★493823	Spacer (Includes 2)
			575	396291	Switch—Starting	843	272616	Sleeve—Lever
					Include(s):	985	398525	Insulator
					392832 Key Set			

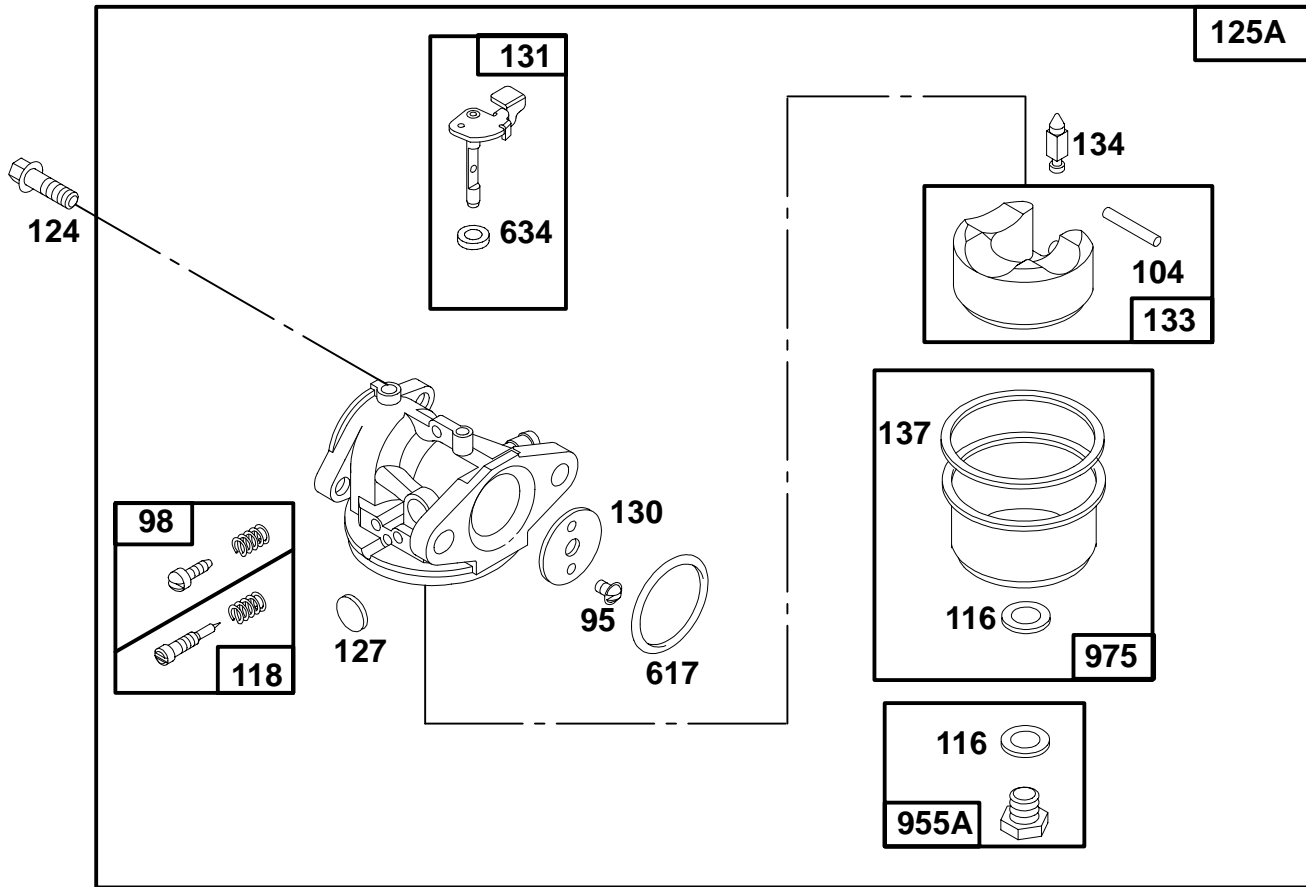
- ★ Included in Gasket Set—See Ref. 358.
- ◆ Included in Carburetor Kit—Part No. 493762.
- ◆ Included in Carburetor Gasket Set—Part No. 490937.

122700 to 122799



REF. NO.	PART NO.	DESCRIPTION	REF. NO.	PART NO.	DESCRIPTION	REF. NO.	PART NO.	DESCRIPTION
95	94098	Screw-Round Head	127	●	Plug-Welch (Sold in Kit Only)	955	493637	Screw-Float Bowl (Standard)
98	398185	Screw-Idle Adjustment	130	223470	Valve-Throttle			OR
104	●231371	Pin-Float Hinge	131	493267	Shaft-Throttle			494870 Screw-Float Bowl (For High Altitude)
108	223471	Valve-Choke	133	398187	Float-Carburetor			(Used After Code Date 90060300 and Before Code Date 90060400 with Carburetor I.D. No. M 26).
116	◆◆	Gasket-Sealing (Sold in Kit Only)	134	●398188	Valve-Needle (Includes Seat)			Note
118	●493765	Valve Kit-Needle	137	◆◆	Gasket-Float Bowl (Sold in Kit Only)			493637 Screw-Float Bowl (Standard)
124	94525	Screw-Carb. Mtg.	141	494218	Shaft-Choke			OR
125	494216	Carburetor	617	◆◆270344	Seal-Fuel Intake Tube			494870 Screw-Float Bowl (High Altitude)
		SEE NEXT PAGE FOR ADDITIONAL CARBURETOR.	634	◆◆	Washer-Shaft (Sold in Kit Only)			Used on Type No(s). 0180, 0188, 0205, 3108, 3179, 3194, 3218.
		Note						0180, 0188, 0205, 3108, 3179, 3194, 3218.
		493627 Carburetor (For Primer) (Used Before Code Date 93080200). Used on Type No(s). 0108, 0188, 0205, 3108, 3179, 3194, 3218.						975 493640 Bowl-Float

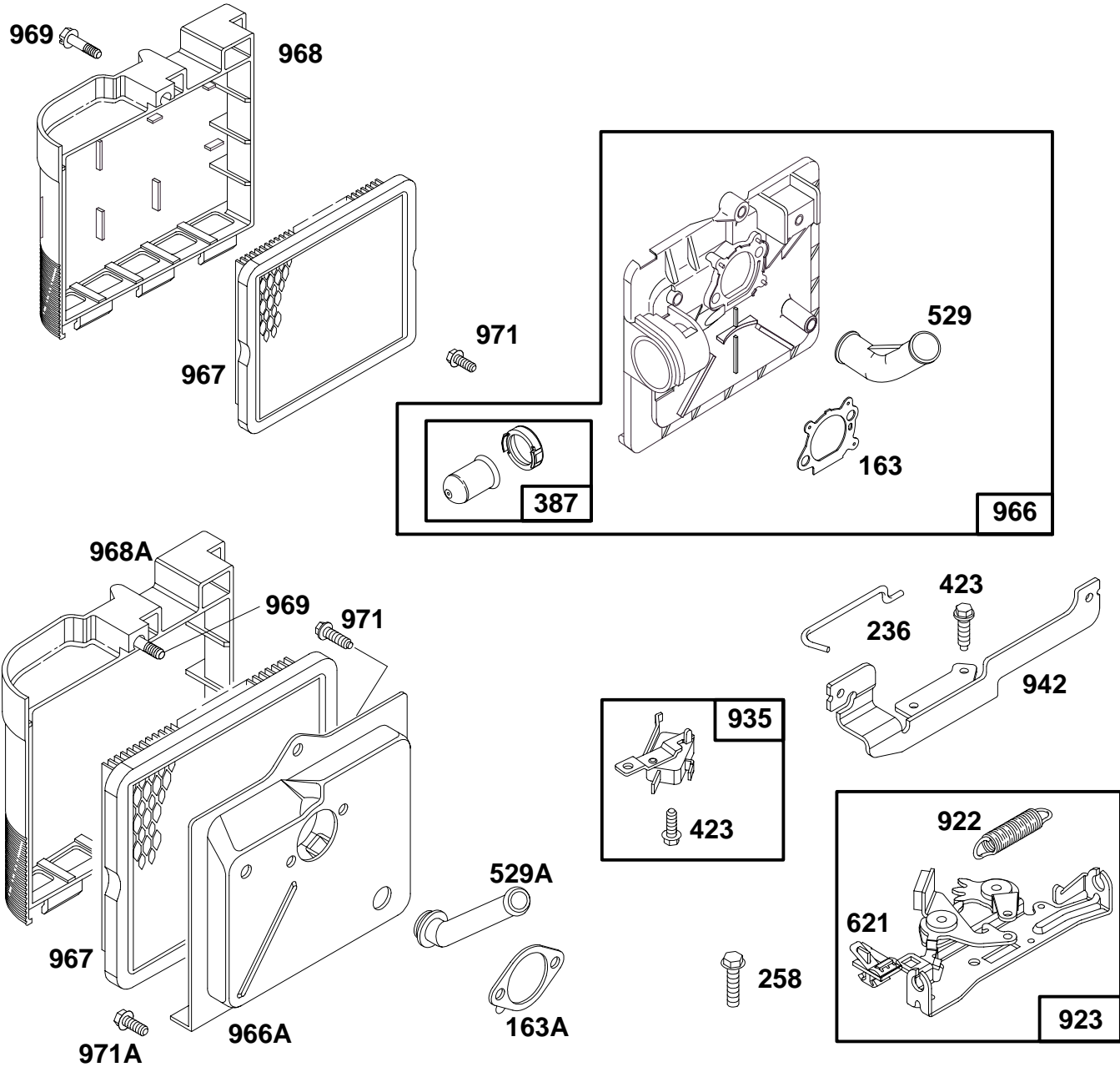
- ★ Included in Gasket Set-See Ref. 358.
- Included in Carburetor Kit-Part No. 493762.
- ◆ Included in Carburetor Gasket Set-Part No. 490937.



REF. NO.	PART NO.	DESCRIPTION	REF. NO.	PART NO.	DESCRIPTION	REF. NO.	PART NO.	DESCRIPTION
95	94098	Screw-Round Head	127	●	Plug-Welch (Sold in Kit Only)	617	●●270344	Seal-Fuel Intake Tube
98	398185	Screw-Idle Adjustment	130	223470	Valve-Throttle	634	●●	Washer-Shaft (Sold in Kit Only)
104	●231371	Pin-Float Hinge	131	493267	Shaft-Throttle	955A	493637	Screw-Float Bowl (Standard)
116	●◆	Gasket-Sealing (Sold in Kit Only)	133	398187	Float-Carburetor	Note ——— 496063 Screw-Float Bowl (For High Altitude)		
118	●493765	Valve Kit-Needle	134	●398188	Valve-Needle (Includes Seat)			
124	94525	Screw-Carb. Mtg.	137	●◆	Gasket-Float Bowl (Sold in Kit Only)	975	493640	Bowl-Float
125A	496114	Carburetor (For Primer) (Used After Code Date 93080100).						

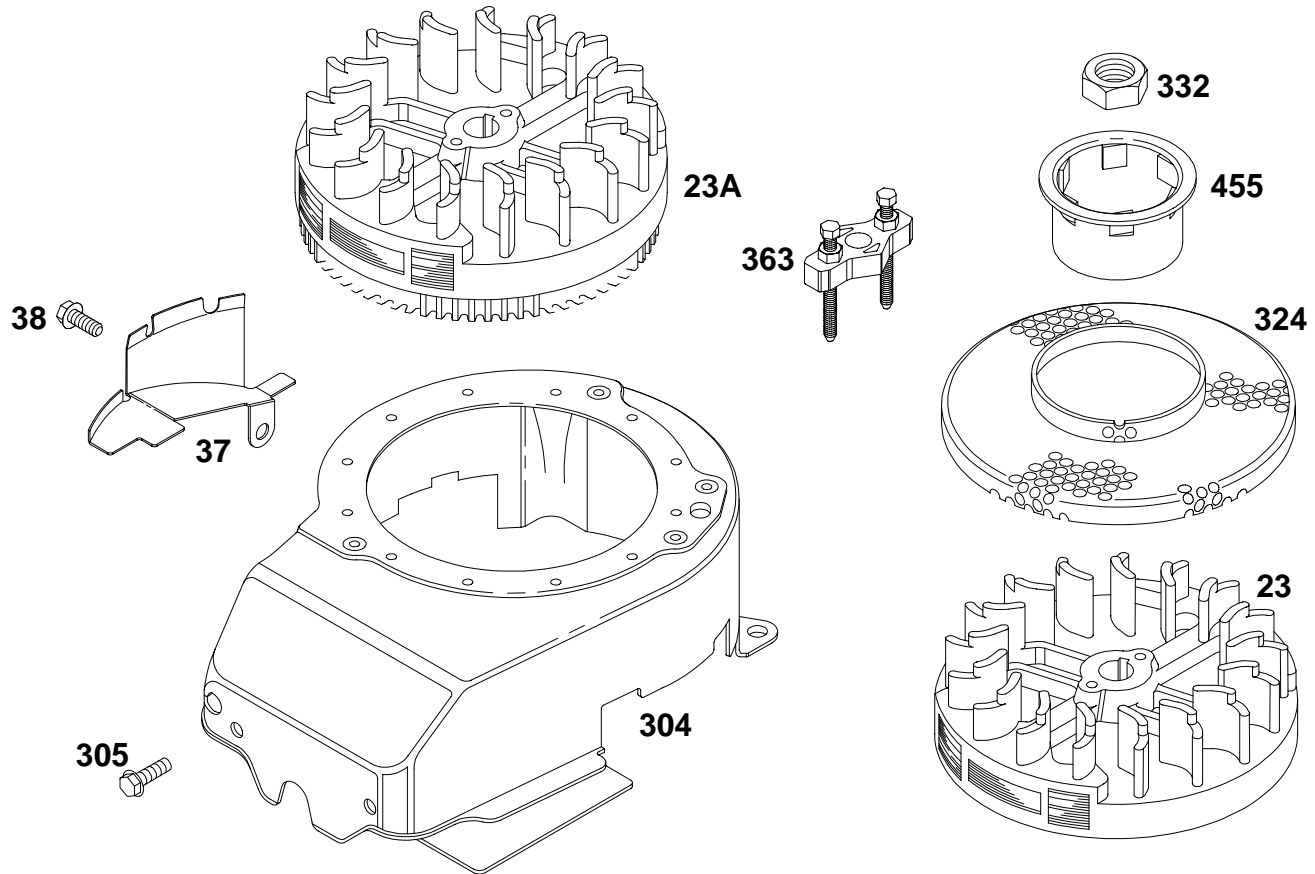
★ Included in Gasket Set-See Ref. 358.
 ● Included in Carburetor Kit-Part No. 493762.
 ◆ Included in Carburetor Gasket Set-Part No. 490937.

122700 to 122799



REF. NO.	PART NO.	DESCRIPTION	REF. NO.	PART NO.	DESCRIPTION	REF. NO.	PART NO.	DESCRIPTION
163	★272653	Gasket–Air Cleaner	923	493442	Brake	966A	492363	Base–Air Cleaner (Metal) (Used Before Code Date 93080200)
163A	★272296	Gasket–Air Cleaner	935	398758	Switch–Interlock	967	491588	Filter–Air
236	262461	Link–Lockout	942	493442	Bracket–Brake	968	281340	Cover–Air Cleaner
258	94512	Screw–Hex. Head	966	496116	Base–Air Cleaner (Primer Style) (Used After Code Date 93080100).	968A	281069	Cover–Air Cleaner
387	496115	Primer–Carburetor				969	94120	Screw–Air Cleaner
423	93758	Screw–Hex. Head				971	94121	Screw–Air Cleaner
529	281299	Grommet				971A	94269	Screw–Air Cleaner
529A	280943	Grommet						
621	396847	Switch–Stop						
922	262640	Spring–Brake						

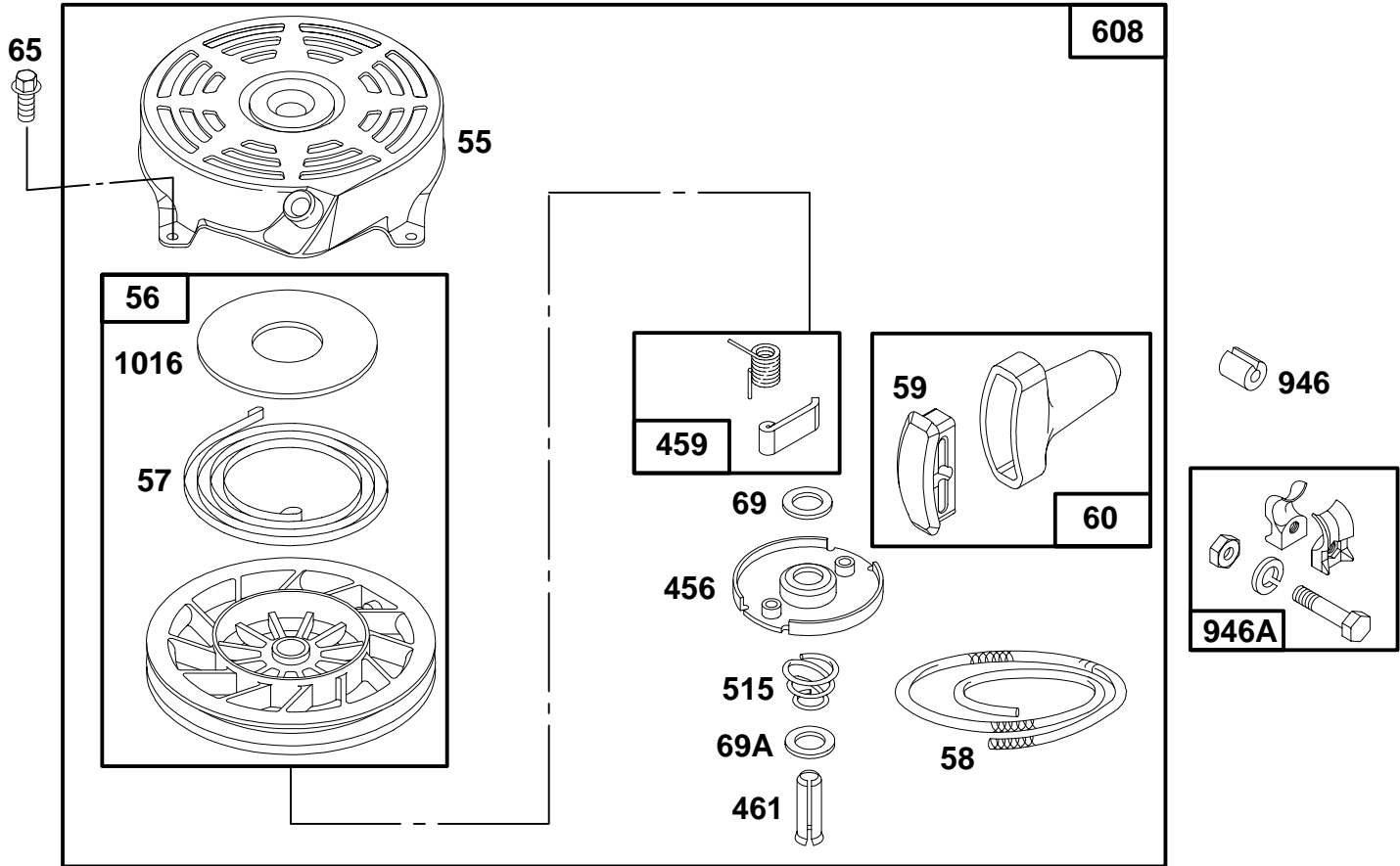
- ★ Included in Gasket Set–See Ref. 358.
- ◆ Included in Carburetor Kit–Part No. 493762.
- ◆ Included in Carburetor Gasket Set–Part No. 490937.



REF. NO.	PART NO.	DESCRIPTION	REF. NO.	PART NO.	DESCRIPTION	REF. NO.	PART NO.	DESCRIPTION	
23	492177	Flywheel	37	224511	Guard-Flywheel			<p align="center">————— Note —————</p> <p>94513 Screw-Sem</p> <p>94167 Stud</p> <p>90832 Lockwasher Used on Type No(s). 3118, 3178, 3179, 3321, 3322.</p>	
23A	492175	Flywheel	38	94608	Screw-Hex. Hd.	324	224251		Screen-Rotating
		<p>492893 Flywheel Used on Type No(s). 0126, 0163, 0170, 0173, 0183, 0184, 0185, 0188, 3127, 4001, 4005, 4006, 4007, 4009.</p>	304	493294	Housing-Blower Used on Engines Without Band Brake.	332	92284		Nut-Flywheel
					<p>————— Note —————</p> <p>493293 Hsg.-Blower Used on Engines With Band Brake.</p>	363	19069	Flywheel-Puller	
			305	94513	Screw-Sem	455	224250	Cup-Flywheel	

- ★ Included in Gasket Set-See Ref. 358.
- Included in Carburetor Kit-Part No. 493762.
- ◆ Included in Carburetor Gasket Set-Part No. 490937.

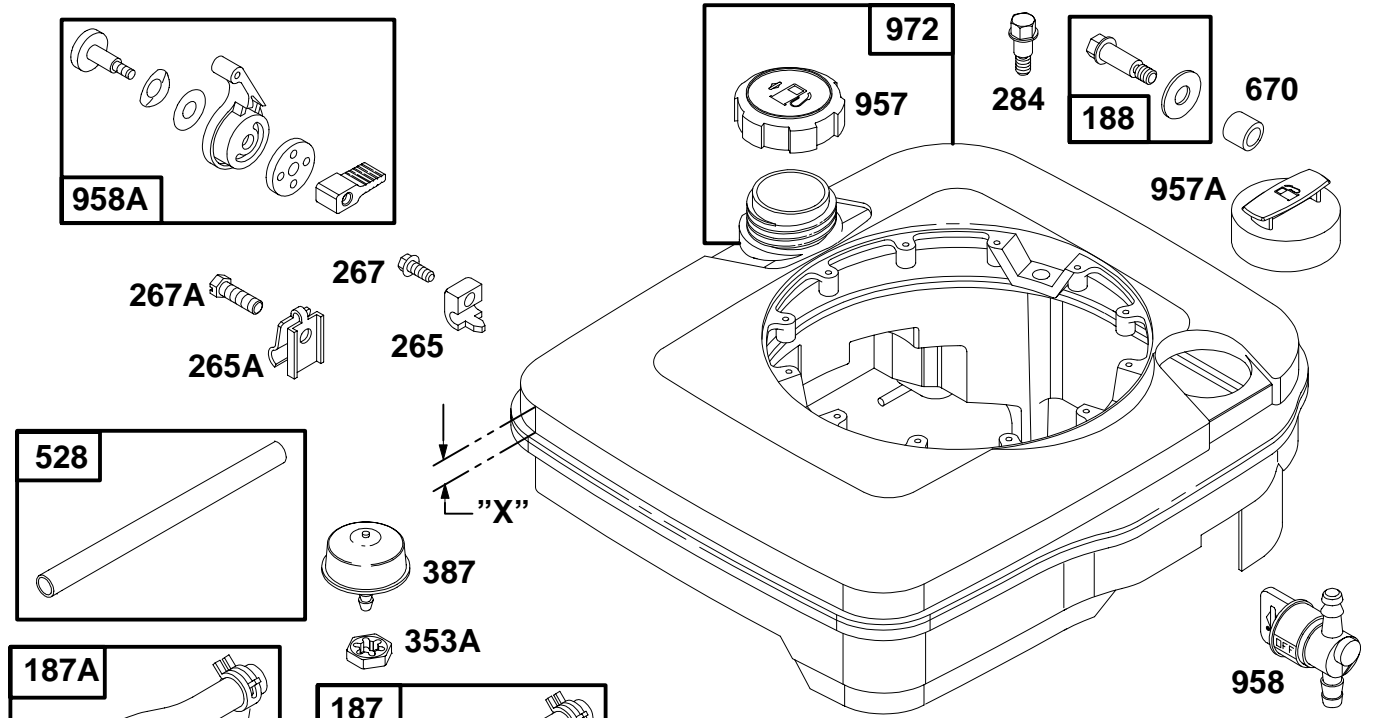
122700 to 122799



REF. NO.	PART NO.	DESCRIPTION	REF. NO.	PART NO.	DESCRIPTION	REF. NO.	PART NO.	DESCRIPTION
55	492831	Housing—Rewind Starter	65	94579	Screw—Hex. Head	608	493295	Starter—Rewind
56	493824	Pulley—Starter	69	280973	Washer—Spring			Include(s):
57	262594	Spring—Rewind Starter	69A	224322	Washer—Flat			94128 Screw—Hex. Hd
58	280399	Rope—Starter (Cut To Suit)	456	224321	Retainer—Spring			92987 Nut—Hex.
59	396892	Insert—Handle	459	492833	Pawl—Ratchet	946	223294	Stop—Rope
60	393152	Grip—Starter Rope	461	262626	Pin—Shaft	946A	396526	Guide—Rope
			515	262625	Spring—Retainer	1016	224278	Cover—Pulley

- ★ Included in Gasket Set—See Ref. 358.
- ◆ Included in Carburetor Kit—Part No. 493762.
- ◆ Included in Carburetor Gasket Set—Part No. 490937.

122700 to 122799

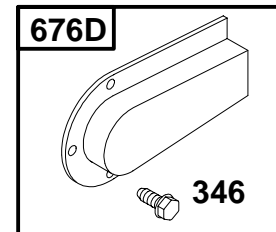
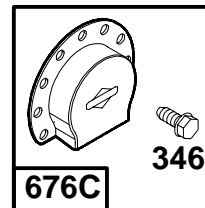
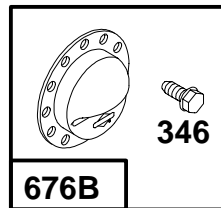
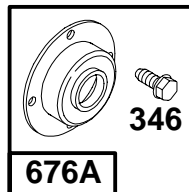
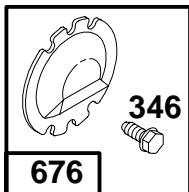
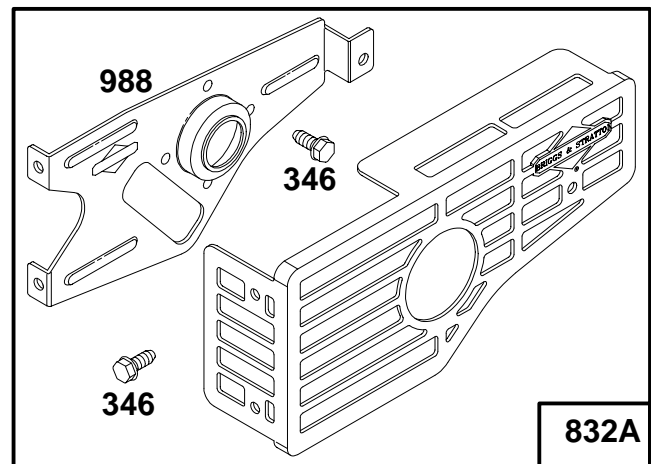
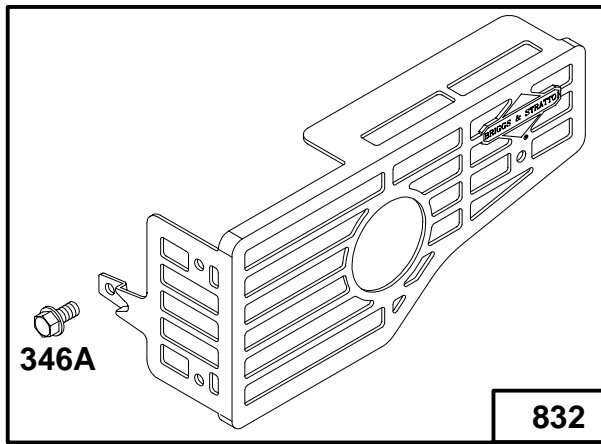
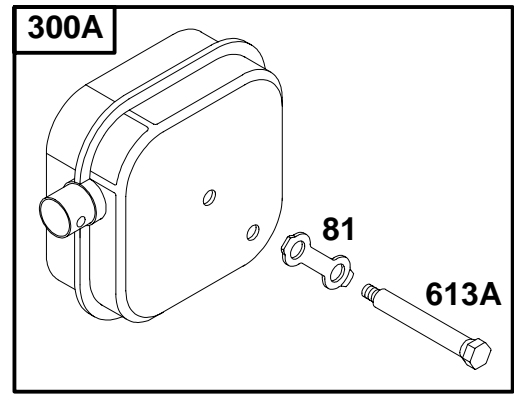
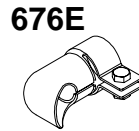
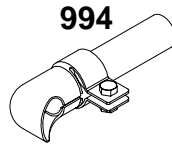
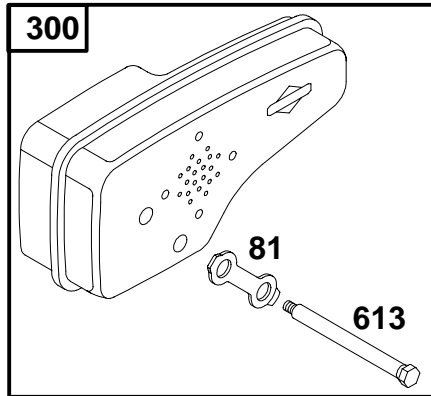


TANK SIZE	COLORS
1 Quart (X=5/16")	SEE REF. 972
1.5 Quart (X=11/16")	

REF. NO.	PART NO.	DESCRIPTION	REF. NO.	PART NO.	DESCRIPTION	REF. NO.	PART NO.	DESCRIPTION
187	492790	Line—Fuel (6—3/4" Long) (Cut To Suit)	284	94511	Screw—Hex. Head	670	280512	Spacer
187A	492791	Line—Fuel (Molded)	353A	94581	Nut—Lock	957	397974	Cap—Fuel Tank
188	398540	Screw—Tank Mounting (Includes Washer)	387	394281	Primer—Carburetor	957A	493017	Cap—Fuel Tank
265	213146	Clamp—Casing	528	399254	Hose—Primer	958	494768	Valve—Shut-Off
265A	224057	Clamp—Casing	601	93053	Clamp—Hose (Green)	958A	494235	Valve—Shut-Off Tank—Fuel
267	94204	Screw—Clamp Mtg.	Note _____			972		See Last Pages.
267A	94264	Screw—Clamp Mtg.			93807			Clamp—Hose (Black)

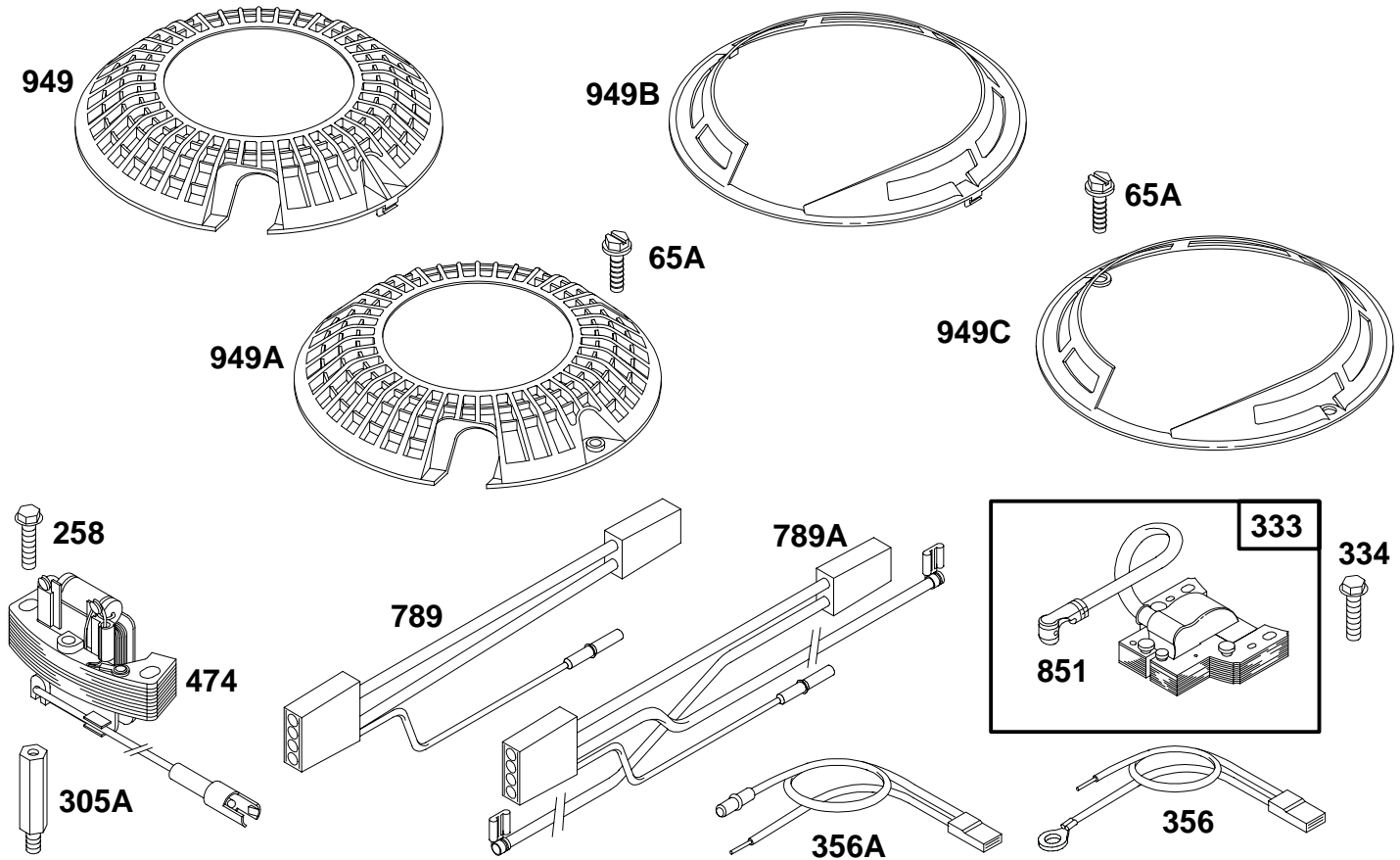
- ★ Included in Gasket Set—See Ref. 358.
- Included in Carburetor Kit—Part No. 493762.
- ◆ Included in Carburetor Gasket Set—Part No. 490937.

122700 to 122799



REF. NO.	PART NO.	DESCRIPTION	REF. NO.	PART NO.	DESCRIPTION	REF. NO.	PART NO.	DESCRIPTION
81	223664	Lock-Muffler Screw	613A	94615	Screw-Muffler Mtg.	676E	494485	Deflector-Muffler
300	490547	Muffler-Exhaust	676	393756	Deflector-Muffler	832	494224	Guard-Muffler
300A	494343	Muffler-Exhaust (Square Lo-Tone)	676A	397931	Deflector-Muffler	832A	494224	Guard-Muffler
346	93705	Screw-Hex. Head	676B	396548	Deflector-Muffler	883	★272253	Gasket-Exhaust
346A	94602	Screw-Hex. Head	676C	393760	Deflector-Muffler	988	223828	Bracket-Mounting
613	94231	Screw-Muffler Mtg.	676D	493871	Deflector-Muffler	994	494486	Arrestor-Spark

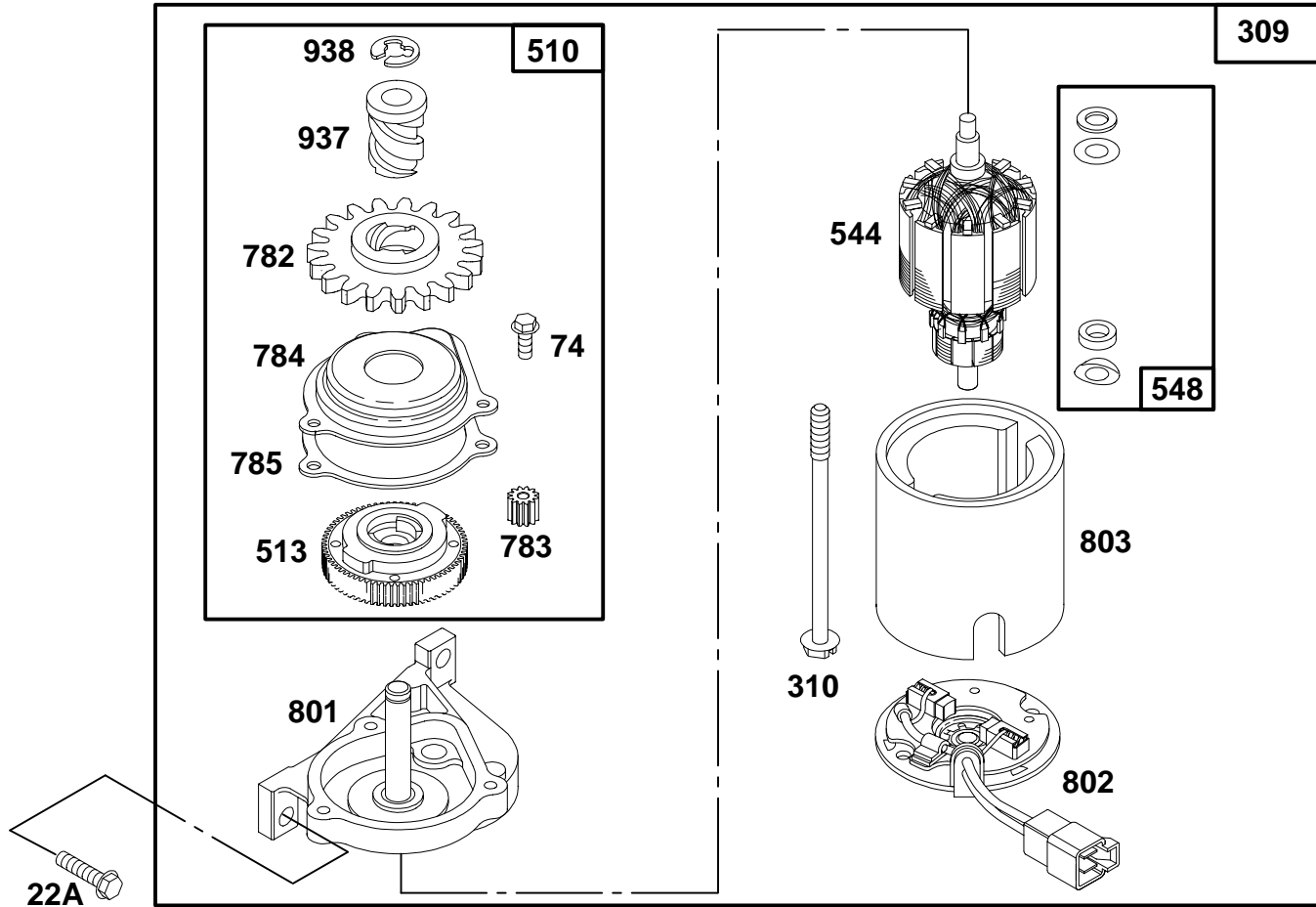
- ★ Included in Gasket Set-See Ref. 358.
- ◆ Included in Carburetor Kit-Part No. 493762.
- ◆ Included in Carburetor Gasket Set-Part No. 490937.



REF. NO.	PART NO.	DESCRIPTION	REF. NO.	PART NO.	DESCRIPTION	REF. NO.	PART NO.	DESCRIPTION
65A	94058	Screw—Guard Mtg.			Note	851	221798	Terminal—Cable
258	94512	Screw—Hex. Head			398153 Wire—Stop	949	281136	Guard—Finger
305A	94510	Stud—Stator Mounting			(Used Before Code Date 93100400).			(Snap-In Style For 1-1/2 Quart Tanks)
333	802574	Armature—Magneto				949A	280946	Guard—Finger
334	93381	Screw—Sem	474	492841	Alternator			(Screwed in Style For 1-1/2 Quart Tanks)
356	398808	Wire—Stop	789	493379	Harness—Wiring	949B	281187	Guard—Finger
		Note			Used on Engines Without Band Brake.			(Snap-In Style For 1 Quart Tanks)
		398708 Wire—Stop	789A	493380	Harness—Wiring			Use(s):
		Used on Type No(s). 0163, 0188, 7015, 7016, 7018.			Used on Engines With Band Brake.	949C	280980	Screw—Mtg.
		494714 Wire—Stop			Note			Guard—Finger
		Used on Type No(s). 3182.			Used on Type No(s). 3154.			(Screwed in Style For 1 Quart Tanks)
356A	496381	Wire—Stop			493648 Harness—Wiring			
		(Used After Code Date 93100300).			Used on Type No(s). 3154.			

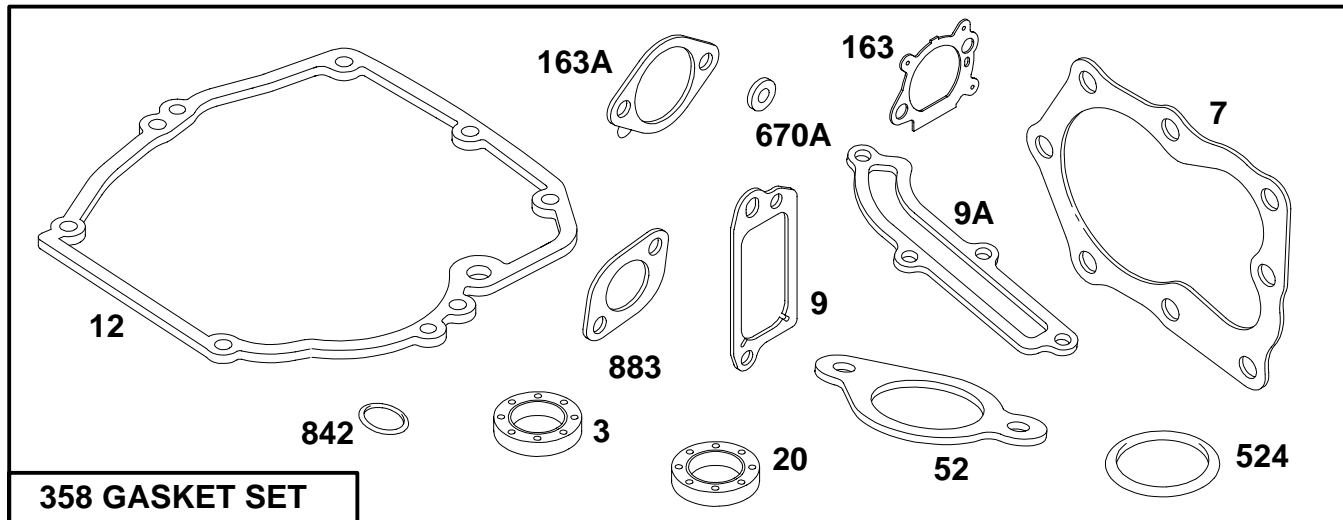
- ★ Included in Gasket Set—See Ref. 358.
- Included in Carburetor Kit—Part No. 493762.
- ◆ Included in Carburetor Gasket Set—Part No. 490937.

122700 to 122799

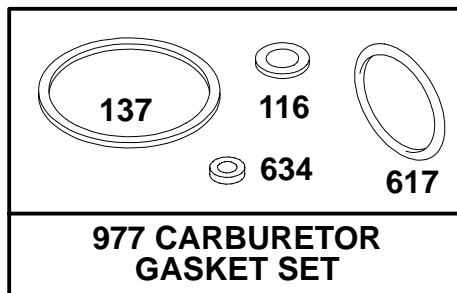


REF. NO.	PART NO.	DESCRIPTION	REF. NO.	PART NO.	DESCRIPTION	REF. NO.	PART NO.	DESCRIPTION
22A	94268	Screw—Starter Mtg.			<p align="center">———— Note ————</p> 494146 Pinion—Starter (Includes Spline) (Used Before Code Date 90070100).	937	281125	Spline—Starter (Used After Code Date 90063000).
74	93490	Screw—Sem						
309	492336	Motor—Starter				938	93941	Retainer—Lock
310	94553	Bolt—Thru						
510	494147	Drive—Starter						
513	394815	Clutch—Drive	783	261606	Gear—Starter			
544	492921	Armature—Starter	784	224262	Cover—Gear			
548	492919	Washer Set	785	272201	Gasket—Cover			
782	281127	Gear—Starter (Used After Code Date 90063000).	801	492335	Cap—Drive			
			802	492922	Cap—End			
			803	492920	Housing—Starter			

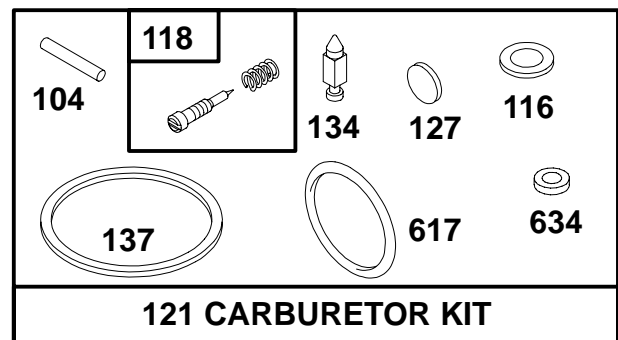
- ★ Included in Gasket Set—See Ref. 358.
- ◆ Included in Carburetor Kit—Part No. 493762.
- ◆ Included in Carburetor Gasket Set—Part No. 490937.



358 GASKET SET



977 CARBURETOR GASKET SET



121 CARBURETOR KIT

REF. NO.	PART NO.	DESCRIPTION	REF. NO.	PART NO.	DESCRIPTION	REF. NO.	PART NO.	DESCRIPTION
3	★299819	Seal-Oil	134	●398188	Valve-Needle (Includes Seat)	524	★280393	Seal-Filler Tube
7	★272200	Gasket-Cylinder Hd.	137	◆	Gasket-Float Bowl (Sold in Kit Only)	617	◆270344	Seal-Fuel Intake Tube
9	★272481	Gasket-Breather	163	★272653	Gasket-Air Cleaner	634	◆	Washer-Shaft (Sold in Kit Only)
9A	★272238	Gasket-Breather	163A	★272296	Gasket-Air Cleaner	670A	★493823	Spacer (Includes 2) (Sold in Kit Only)
12	★272198	Gasket-Crankcase	358	496117	Gasket Set (Used After Code Date 93080100).	842	★280966	Seal-O-Ring
20	★399781	Seal-Oil			Note	883	★272253	Gasket-Exhaust
52	★272199	Gasket-Intake Elbow			493263 Gasket Set (Used Before Code Date 93080200).	977	490937	Gasket Set-Carburetor
104	●231371	Pin-Float Hinge						
116	◆	Gasket-Sealing (Sold in Kit Only)						
118	●493765	Valve Kit-Needle						
121	493762	Carburetor Kit						
127	●	Plug-Welch (Sold in Kit Only)						

- ★ Included in Gasket Set-See Ref. 358.
- Included in Carburetor Kit-Part No. 493762.
- ◆ Included in Carburetor Gasket Set-Part No. 490937.

122700 to 122799

REF. NO.	PART NO.	DESCRIPTION	REF. NO.	PART NO.	DESCRIPTION	REF. NO.	PART NO.	DESCRIPTION			
16	493282	Crankshaft <p style="text-align: center;">Note</p> For Timing Gear Key. Order Part No. 94388. 493362 Crankshaft Used on Type No(s). 0119, 0120, 0173, 0174, 0175, 0184, 0185, 0188, 0190, 0199, 0200, 0205, 0213, 3117, 3136, 3137, 3142, 3144, 3146, 3148, 3149, 3154, 3155, 3160, 3161, 3174, 3175, 3181, 3190, 3191, 3193, 3194, 3195, 3196, 3198, 3200, 3208, 3209, 3212, 3213, 3215, 3216, 3218, 3223, 3310, 3311, 3312, 3320, 3324, 3331, 4005, 4007, 4008, 4009, 7015. 493363 Crankshaft Used on Type No(s). 0121, 0122, 3120, 3145, 3147, 3153, 3180, 3199, 3214, 3217, 3219, 3313, 3321, 3322, 3332, 3335, 7002, 7016. 493433 Crankshaft Used on Type No(s). 3131, 3207. 493464 Crankshaft Used on Type No(s). 0126, 3221. 493566 Crankshaft Used on Type No(s). 0176, 0181. 493946 Crankshaft Used on Type No(s). 0118, 0124, 0127, 0128, 0129, 0130, 0131, 0132, 0133, 0134, 0137, 0138, 0139, 0140, 0147, 0155, 0164, 0165, 0168, 0180, 3116, 3118, 3128, 3141, 3143, 3163, 3164, 3178, 3179, 4000.	46A	493739	Gear-Cam (Used After Code Date 90030450 and 90031800). 492668 Gear-Cam (Used Before Code Date 90030550 and 90031900). <p style="text-align: center;">Note</p> 493741 Gear-Cam (Counterclockwise) (Used After Code Date 90030450 and 90031800). 492669 Gear-Cam (Used Before Code Date 90030550 and 90031900). Used on Type No(s). 0131, 0139, 0165, 0173, 0174, 0188, 0203, 0204, 0205, 3124, 3132, 3134, 3144, 3160, 3165, 3170, 3172, 3174, 3175, 3190, 3191, 3194, 3195, 3208, 3311, 3320.	209	262660	Spring-Governor <p style="text-align: center;">Note</p> 262654 Spring-Gov. Used on Type No(s). 0146. 262655 Spring-Gov. Used on Type No(s). 0183, 4007. 262656 Spring-Gov. Used on Type No(s). 0185, 3116, 3145, 3217.			262657 Spring-Gov. Used on Type No(s). 0206, 3135, 3136, 3141, 3143, 3151, 3163, 3164, 3178, 3179, 3182 3183, 3193, 3224, 3321, 3322. 262658 Spring-Gov. Used on Type No(s). 0173, 0184, 3127, 3170, 3216. 262659 Spring-Gov. Used on Type No(s). 0126, 0147, 3106, 3118, 3131, 3137, 3138, 3160, 3168, 3175, 3181, 3194, 3198, 3199, 3200, 3207, 3208, 3209, 3212, 3215, 3218, 3221, 3310, 3311, 3320, 3324, 3328, 3331, 4005. 262661 Spring-Gov. Used on Type No(s). 0101, 0102, 0108, 0142, 0182, 3101, 3102, 3108, 3133, 3139, 3140, 3142, 3144, 3162, 3171, 3187, 3188, 3192, 3227, 3300, 3327, 4001, 4009, 7002. 262664 Spring-Gov. Used on Type No(s). 0125, 0134, 0151, 0155, 0162, 0163, 0166, 0169, 0170, 0190, 0191, 0192, 0193, 0194, 0196, 0197, 0199, 0200, 0201, 0202, 0208, 0212, 0213, 3122. 262665 Spring-Gov. Used on Type No(s). 0133, 0143, 0144, 0145, 0153, 0154, 0156, 0165, 0168, 0174.

- ★ Included in Gasket Set-Part No. 493263.
- Included in Carburetor Kit-Part No. 493762.
- ◆ Included in Carburetor Gasket Set-Part No. 490937.

122700 to 122799

REF. NO.	PART NO.	DESCRIPTION	REF. NO.	PART NO.	DESCRIPTION	REF. NO.	PART NO.	DESCRIPTION
		<p>262666 Spring-Gov. Used on Type No(s). 0115, 0116, 0117, 0118, 0119, 0120, 0121, 0122, 0123, 0124, 0130, 0135, 0136, 0137, 0138, 0141, 0148, 0149, 0157, 0158, 0167, 0176, 0178, 0180, 0181, 0203, 0204, 3128.</p> <p>262667 Spring-Gov. Used on Type No(s). 0152, 0160, 0161, 3172, .</p> <p>262678 Spring-Gov. Used on Type No(s). 0129, 0131, 0132, 0139, 0140, 0165, 0179.</p>			<p>(Used After Code Date 93080100).</p> <p>493895 Bracket-Control (Man. Friction Control) (Used Before Code Date 93080200 and After Code Date 90030450 and 90031800).</p> <p>493635 Bracket-Control (Man. Friction Control) (Used Before Code Date 90030550 and 90031900).</p> <p>Used on Type No(s). 0129, 0130, 0131, 0146, 0158, 0163, 0176, 0181, 0183, 3190, 4005, 4006, 4007, 7015, 7016, 7018.</p>			<p>3182-01, 3183-01, 3195-02, 3196-01, 3198-01, 3199-01, 3200-01, 3207-01, 3208-01, 3209-01, 3212-01, 3213-01, 3213-02, 3214-01, 3214-02, 3219-01, 3221-01, 3223-01, 3224-01, 3300-01, 3310-01, 3311-01, 3312-01, 3313-02, 3320-01, 3321-01, 3324-01, 3327-01, 3328-01, 3331-01, 3335-02, 7015-01, 7016-01, 7018-01.</p>
337	298809	<p>Plug-Spark (With Gasket) (1-1/2" High, 38 mm.)</p> <p style="text-align: center;">Note</p> <p>293918 Plug-Spark (Resistor Type) (1-1/2" High, 38 mm.)</p> <p>492167 Plug-Spark (1-7/8" High, 48 mm.)</p> <p>802592 Plug-Spark (Resistor Type) (1-7/8" High, 48 mm.)</p>	972	494528	<p>Tank-Fuel (1-1/2 Quart, Black) (Used After Code Date 90092300).</p> <p>494340 Tank-Fuel (1-1/2 Quart, Black) (Used Before Code Date 90092400).</p> <p style="text-align: center;">Note</p> <p>494351 Tank-Fuel (1 Quart, Black) (Used After Code Date 90092300).</p> <p>494534 Tank-Fuel (1 Quart, Black) (Used Before Code Date 90092400). Used on Type No(s). 0136-01, 0168-01, 0190-01, 0191-01, 0192-01, 0193-01, 0194-01, 0200-01, 0201-01, 0208-01, 0212-01, 0213-01, 0203-01, 3106-01, 3122-01, 3146-01, 3147-01, 3148-01, 3151-01, 3160-01, 3162-01, 3163-01, 3164-01, 3165-01, 3172-01, 3175-01, 3178-01, 3181-01,</p>			<p>494353 Tank-Fuel (1-1/2 Quart, Yellow) Used on Type No(s). 3191-02.</p> <p>494355 Tank-Fuel (1-1/2 Quart, Gray) Used on Type No(s). 0131-01, 3215-01.</p> <p>494356 Tank-Fuel (1-1/2 Quart, Red) Used on Type No(s). 0132-04, 0169-01, 3149-03.</p> <p>494357 Tank-Fuel (1 Quart, Red) Used on Type No(s). 0175-01, 3148-03.</p> <p>494358 Tank-Fuel (1.3 Quart, Black) Used on Type No(s). 0147-01, 0181-01, 0206-01, 3118-01, 3134-01, 3145-01, 3171-01, 3187-01, 3188-01.</p> <p>494359 Tank-Fuel (1 Quart, Yellow) Used on Type No(s). 3146-02, 3147-02.</p> <p>495065 Tank-Fuel (1-1/2 Quart, Black with Dry Primer Hole) Used on Type No(s). 0108-01, 0188-01, 0205-01, 3108-01, 3179-01, 3179-02, 3194-01, 3218-01.</p>
620	495975	<p>Bracket-Control (Remote Control) (Used After Code Date 93080100).</p> <p>493894 Bracket-Control (Remote Control) (Used Before Code Date 93080200 and After Code Date 90030450 and 90031800).</p> <p>492978 Bracket-Control (Remote Control) (Used Before Code Date 90030550 and 90031900).</p> <p style="text-align: center;">Note</p> <p>495976 Bracket-Control (Man. Friction Control)</p>			<p>Used on Type No(s). 0129, 0130, 0131, 0146, 0158, 0163, 0176, 0181, 0183, 3190, 4005, 4006, 4007, 7015, 7016, 7018.</p>			

- ★ Included in Gasket Set-Part No. 493263.
- ◆ Included in Carburetor Kit-Part No. 493762.
- ◆ Included in Carburetor Gasket Set-Part No. 490937.