

**LISTE DE PIECES  
ILLUSTRATED PARTS LIST**

**Kubota**

**W721**

**W721 PRO**

**W721 PRO.HST**

-----  
**Phase 1 & Phase 2**  
-----

**TONDEUSE A GAZON  
LAWN MOWER**



**Kubota**

**Avril 2008  
April 2008**

# TABLE DES MATIERES

## MOTEUR FC180-C53

	<u>PAGE N°</u>
• BLOC MOTEUR-CULASSE	K01
• PISTON-VILEBREQUIN	K02
• CULBUTEURS-ARBRE A CAMES	K03
• JAUGE A HUILE	K04
• RESERVOIR-VENTILATEUR	K05
• ALLUMAGE	K06
• REGULATEUR DE REGIME	K07
• CARBURATEUR	K08
• FILTRE A AIR-SILENCIEUX	K09
• ROBINET-BOUCHON CARBURANT	K10
• LANCEUR	K11
• ETIQUETTES SECURITE	K12
<b>W721</b>	
• CARTER DE LAME	K13
• ROUES	K14
• EMBRAYAGE DE LAME	K15
• TRANSMISSION	K16
• SAC A HERBE / GUIDON / CABLES	K17
<b>W721 PRO</b>	
• CARTER DE LAME	K18
• ROUES	K19
• EMBRAYAGE DE LAME	K20
• TRANSMISSION	K21
• SAC A HERBE / GUIDON / CABLES	K22
<b>W721 PRO HST</b>	
• CARTER DE LAME	K23
• ROUES	K24
• EMBRAYAGE DE LAME	K25
• HST	K26
• SAC A HERBE / GUIDON / CABLES	K27

# INDEX

## ENGINE FC180-C53

### PAGE N°

- CYLINDER-CRANKCASE K01
- PISTON-CRANKSHAFT K02
- VALVE-CAMSHAFT K03
- OIL GAUGE K04
- FUEL TANK K05
- ELECTRIC EQUIPMENT K06
- GOVERNOR K07
- CARBURETTOR K08
- AIR CLEANER-MUFFLER K09
- FUEL VALVE K10
- RECOIL STARTER K11
- SAFETY LABELS K12

## **W721**

- CUTTER HOUSING K13
- WHEELS K14
- CLUTCH BLADE ASSY K15
- TRANSMISSION K16
- GRASS CATCHER BAG / HANDLE / CABLES K17

## **W721 PRO**

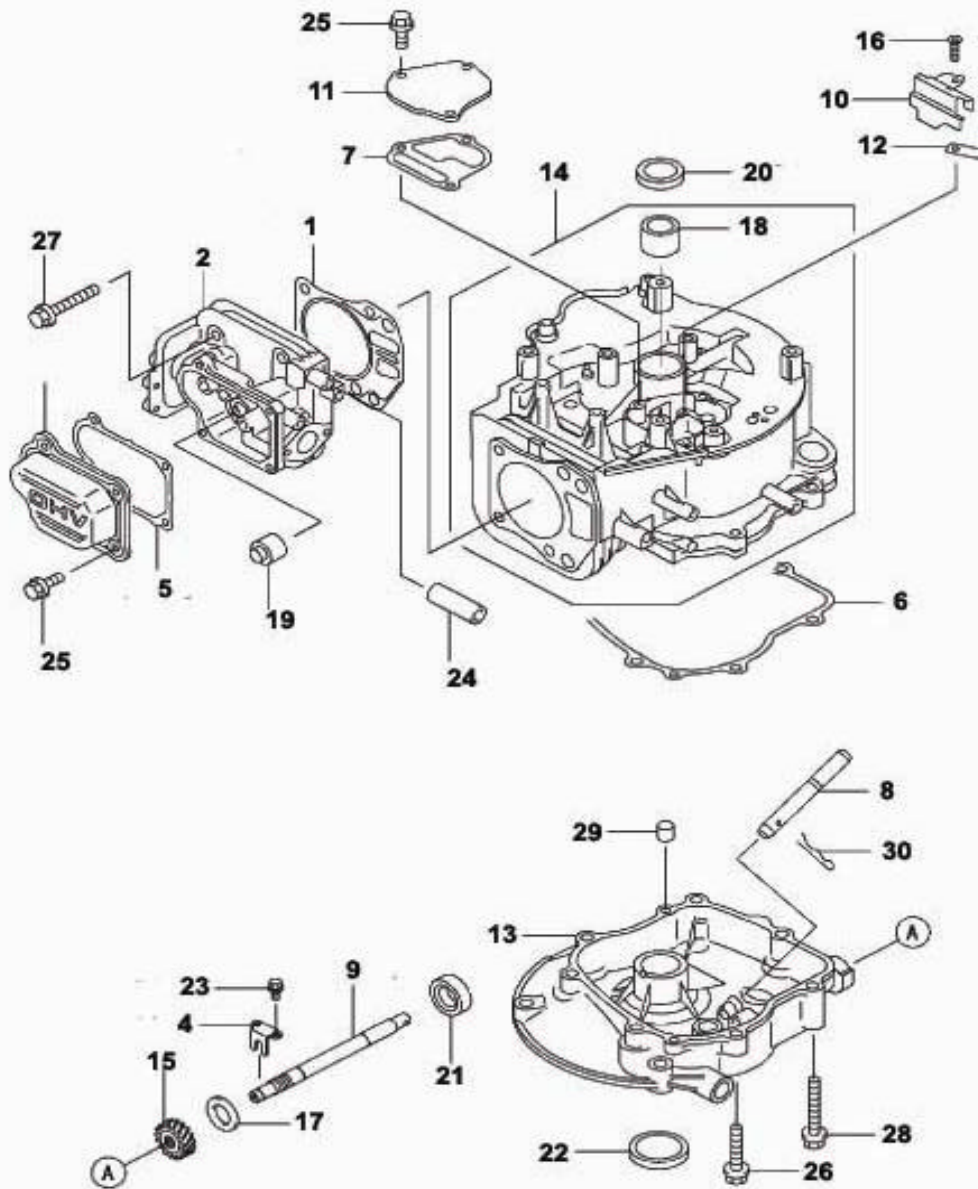
- CUTTER HOUSING K18
- WHEELS K19
- CLUTCH BLADE ASSY K20
- TRANSMISSION K21
- GRASS CATCHER BAG / HANDLE / CABLES K22

## **W721 PRO HST**

- CUTTER HOUSING K23
- WHEELS K24
- CLUTCH BLADE ASSY K25
- HST K26
- GRASS CATCHER BAG / HANDLE / CABLES K27

# K01- CYLINDER / CRANKCASE BLOC MOTEUR / CULASSE

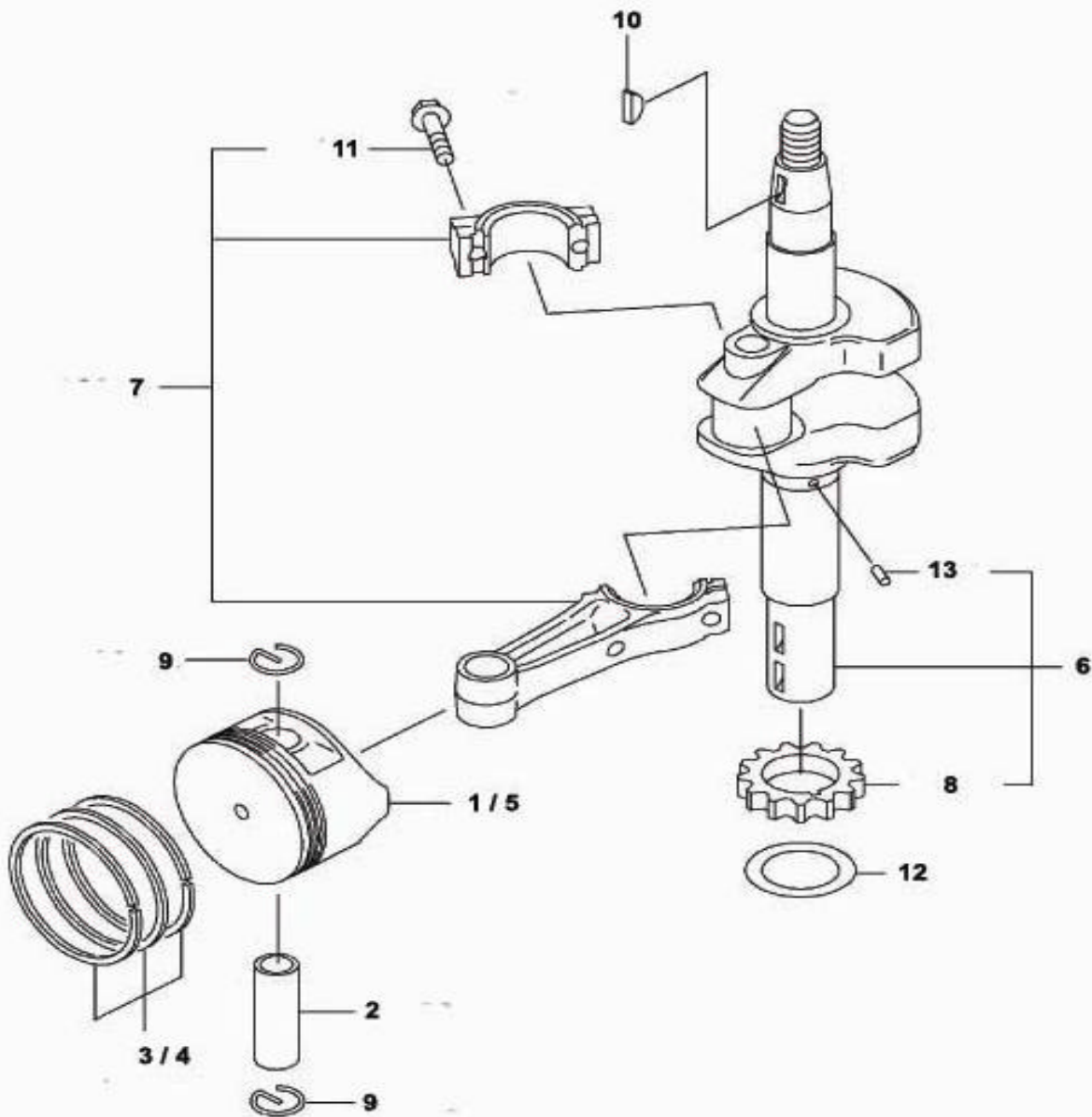
**K01-L**  
ENGINE/MOTEUR





# K02- PISTON / CRANKSHAFT PISTON / VILEBREQUIN

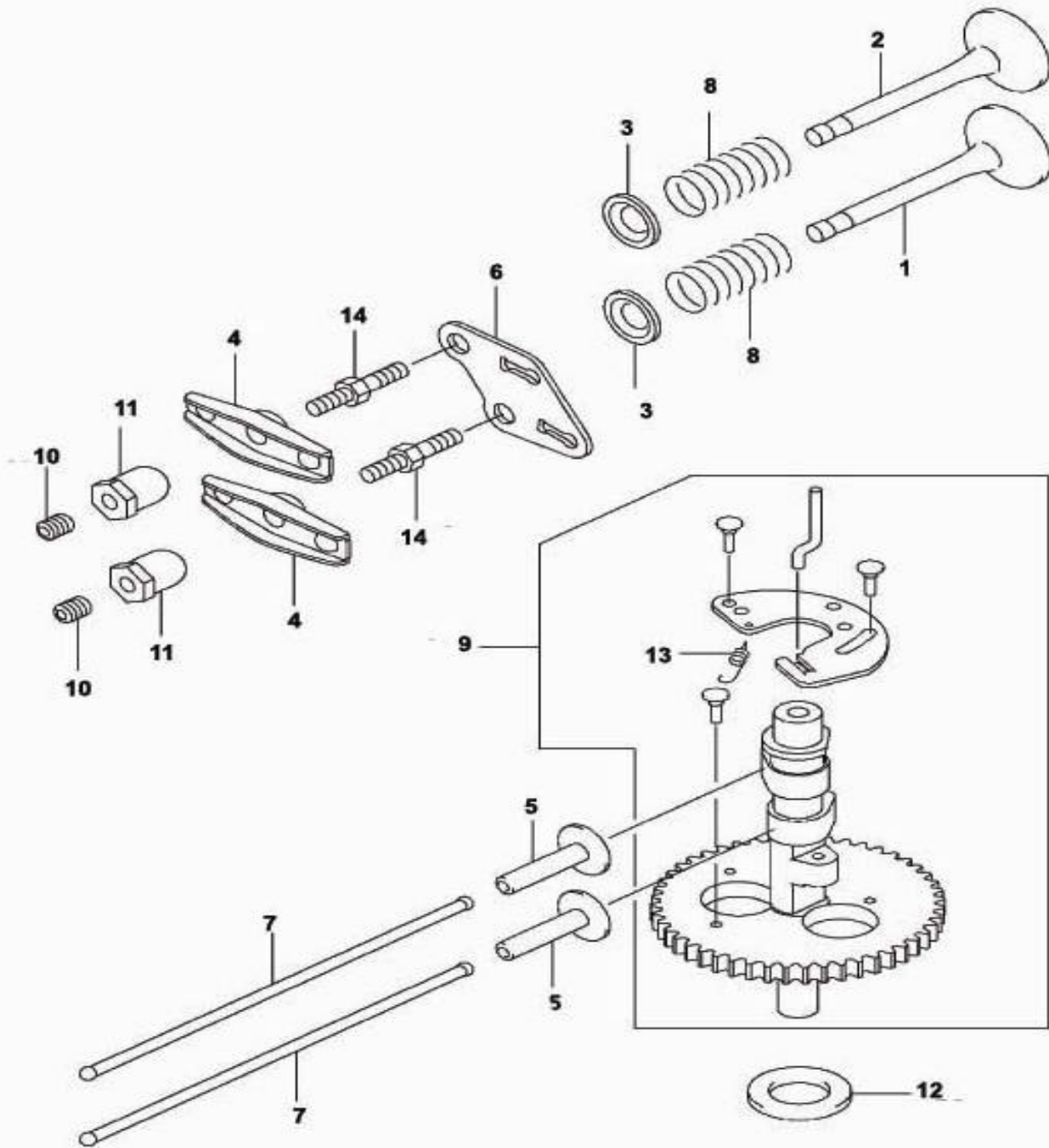
**K02-L**  
ENGINE/MOTEUR





# K03- VALVE / CAMSHAFT CULBUTEURS / ARBRE A CAMES

**K03-L**  
ENGINE/MOTEUR

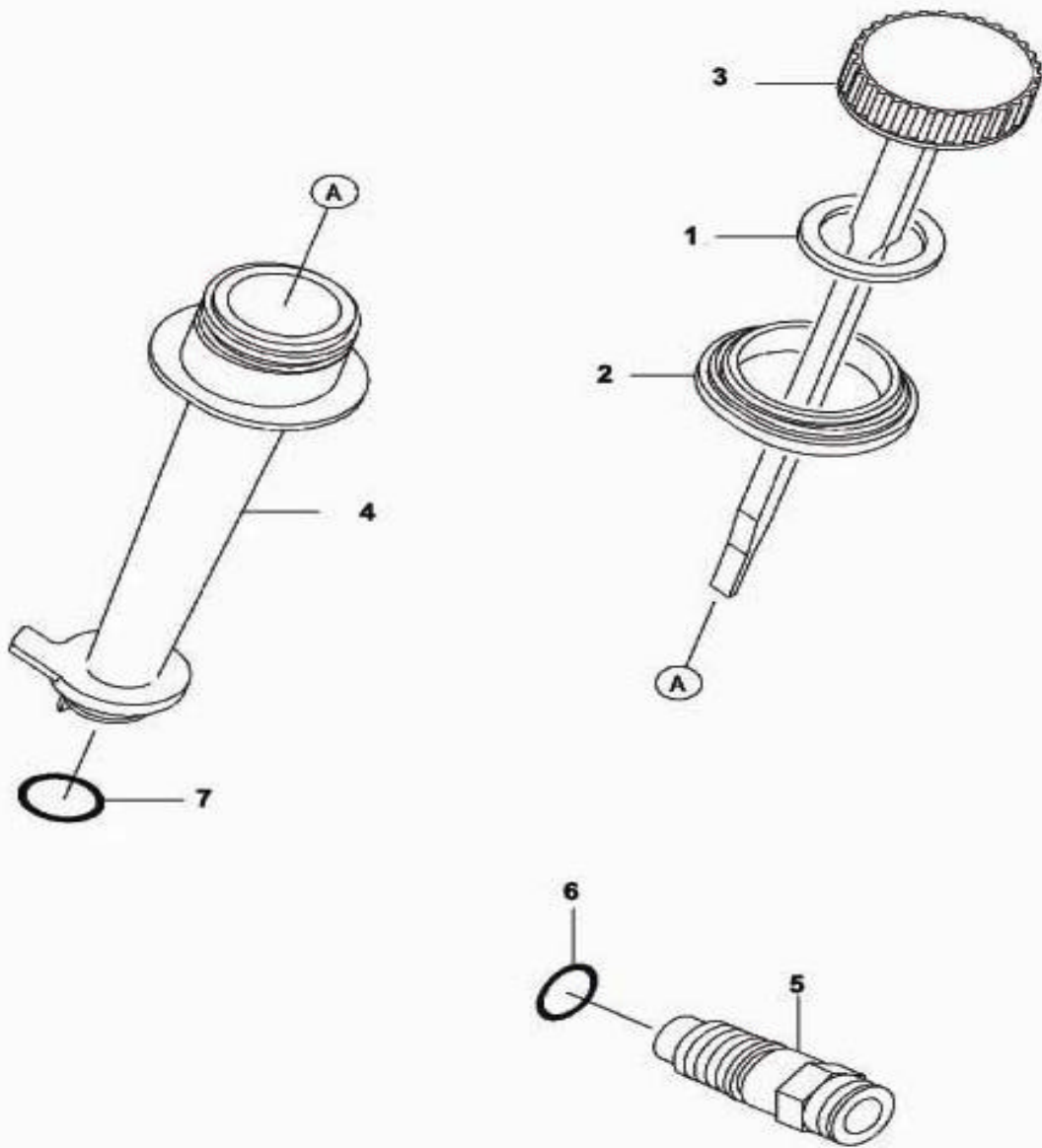






# K04- OIL GAUGE JAUGE A HUILE

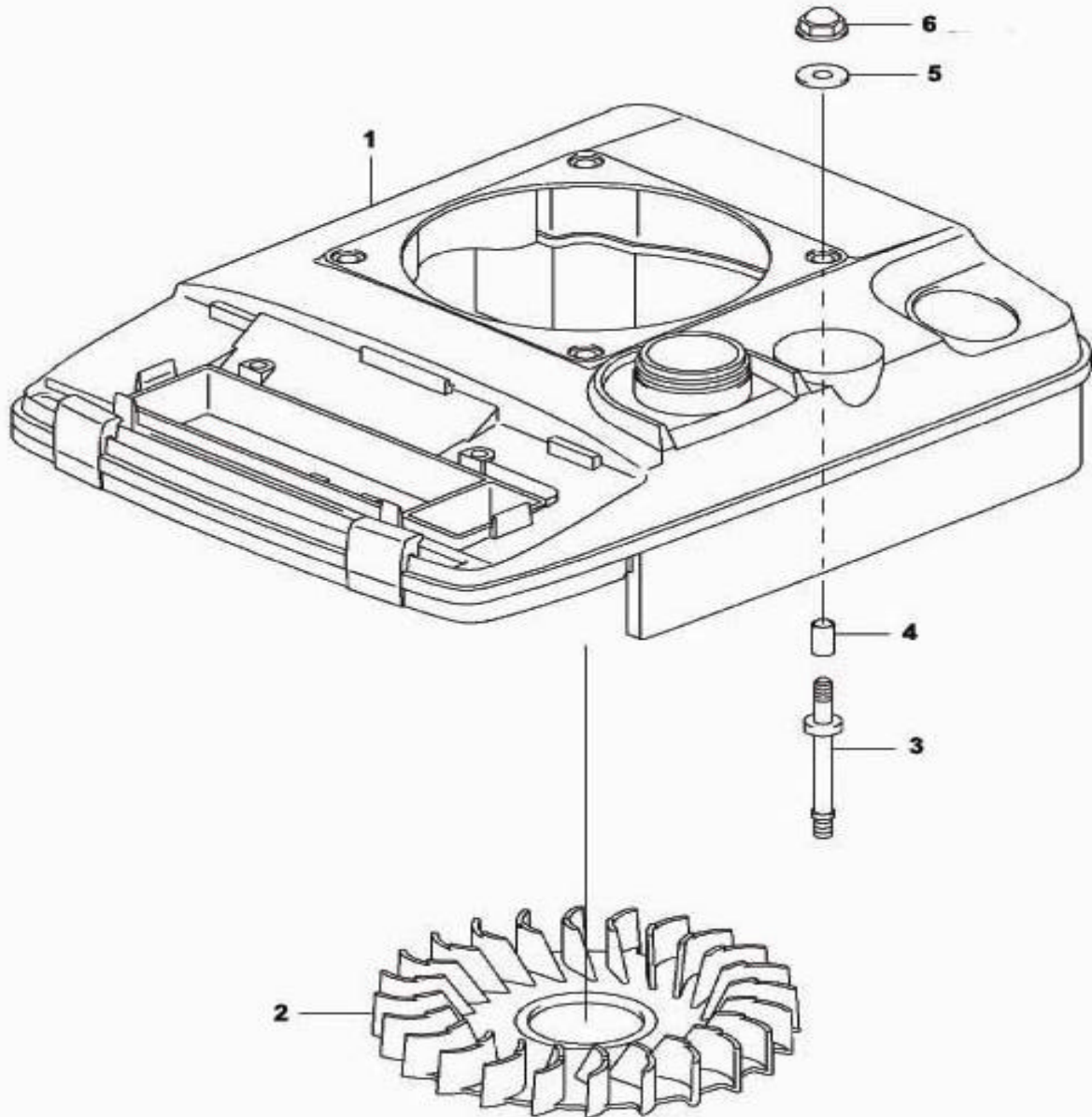
**K04-L**  
ENGINE/MOTEUR





# K05- TANK FUEL / FAN RESERVOIR A CARBURANT / VENTILATEUR

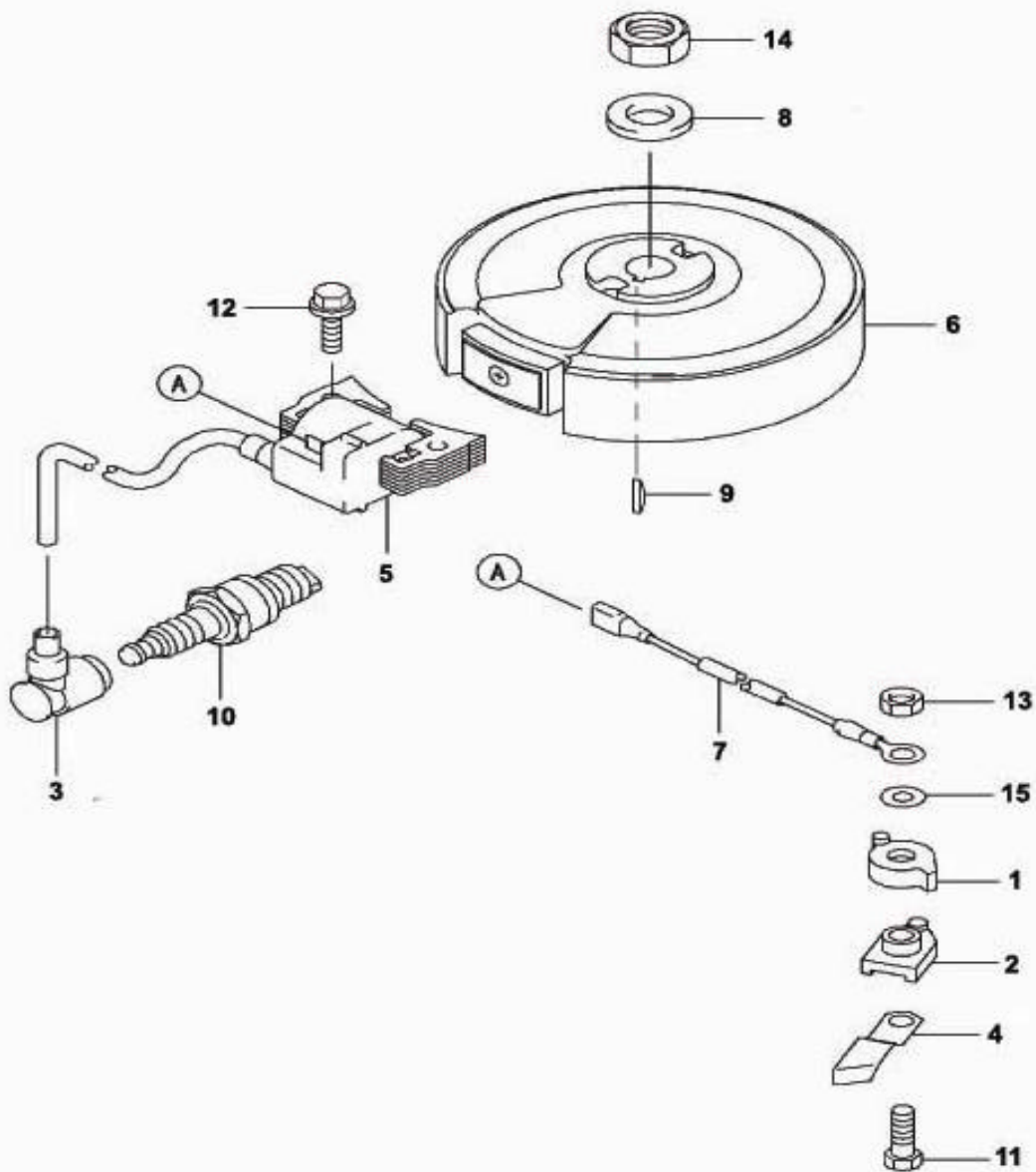
**K05-L**  
ENGINE/MOTEUR





# K06- ELECTRIC EQUIPMENT ALLUMAGE

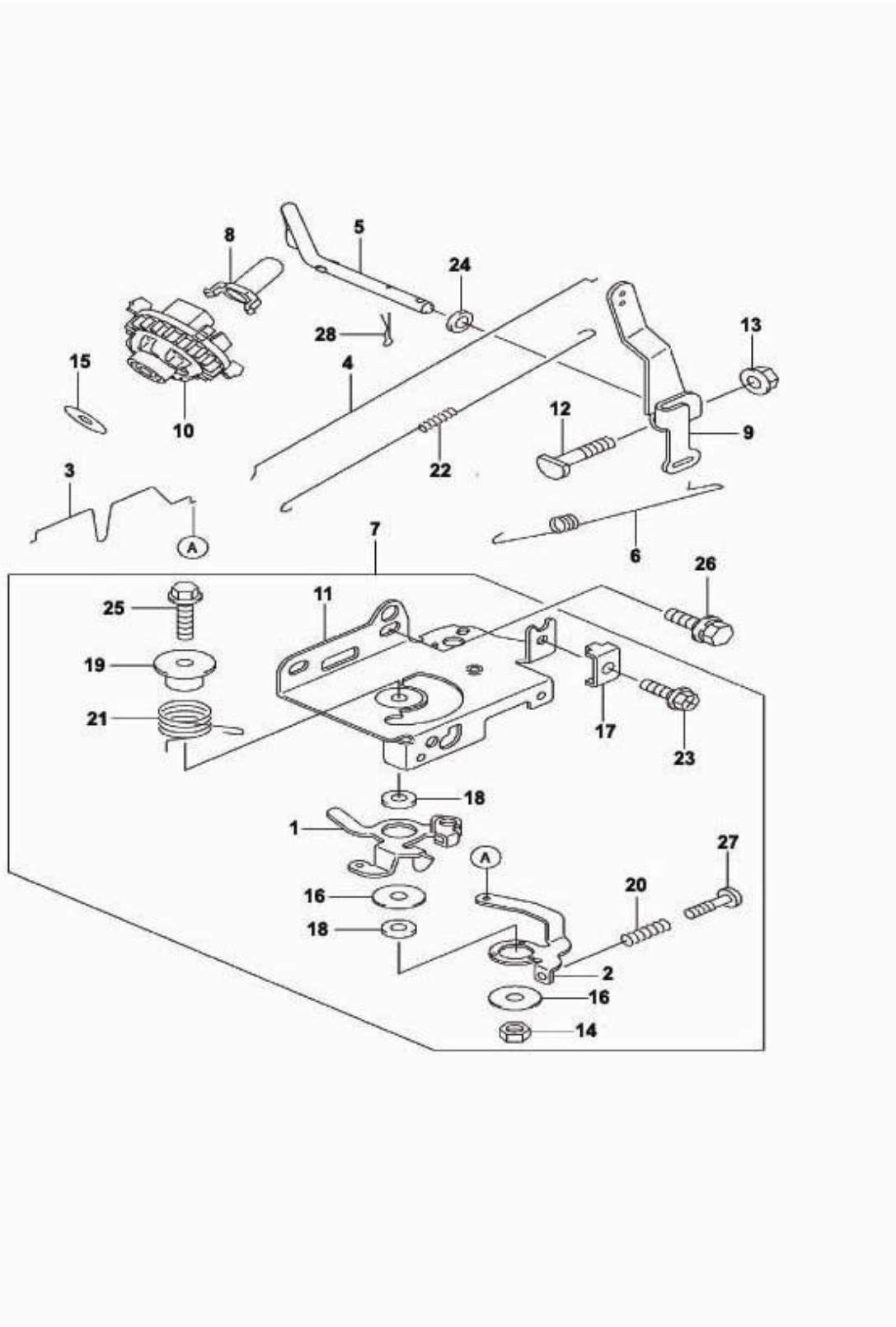
**K06-L**  
ENGINE/MOTEUR





# K07- CONTROL-GOVERNOR REGULATEUR DE REGIME

K07-L  
ENGINE/MOTEUR

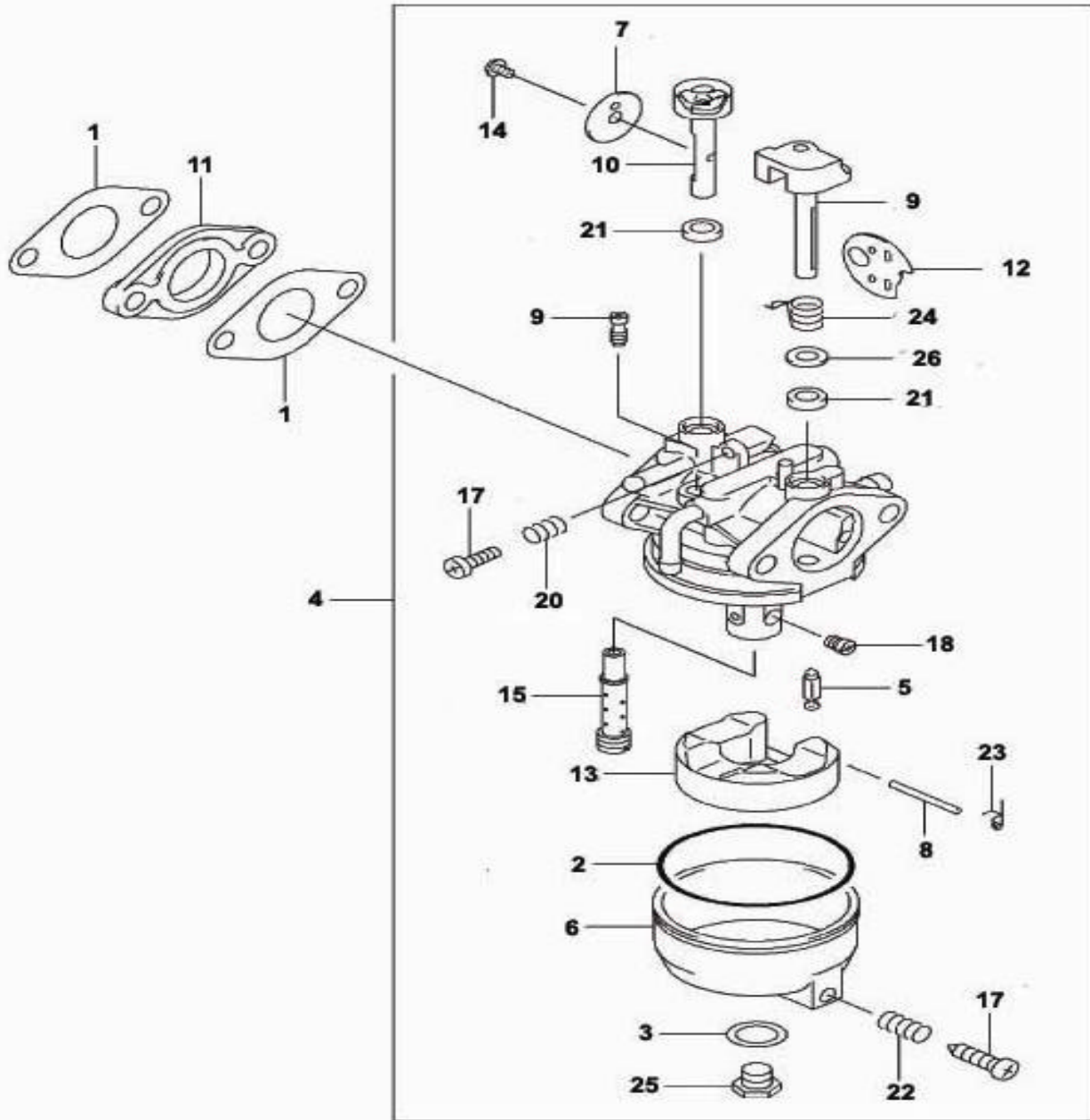






# K08- CARBURETOR CARBURATEUR

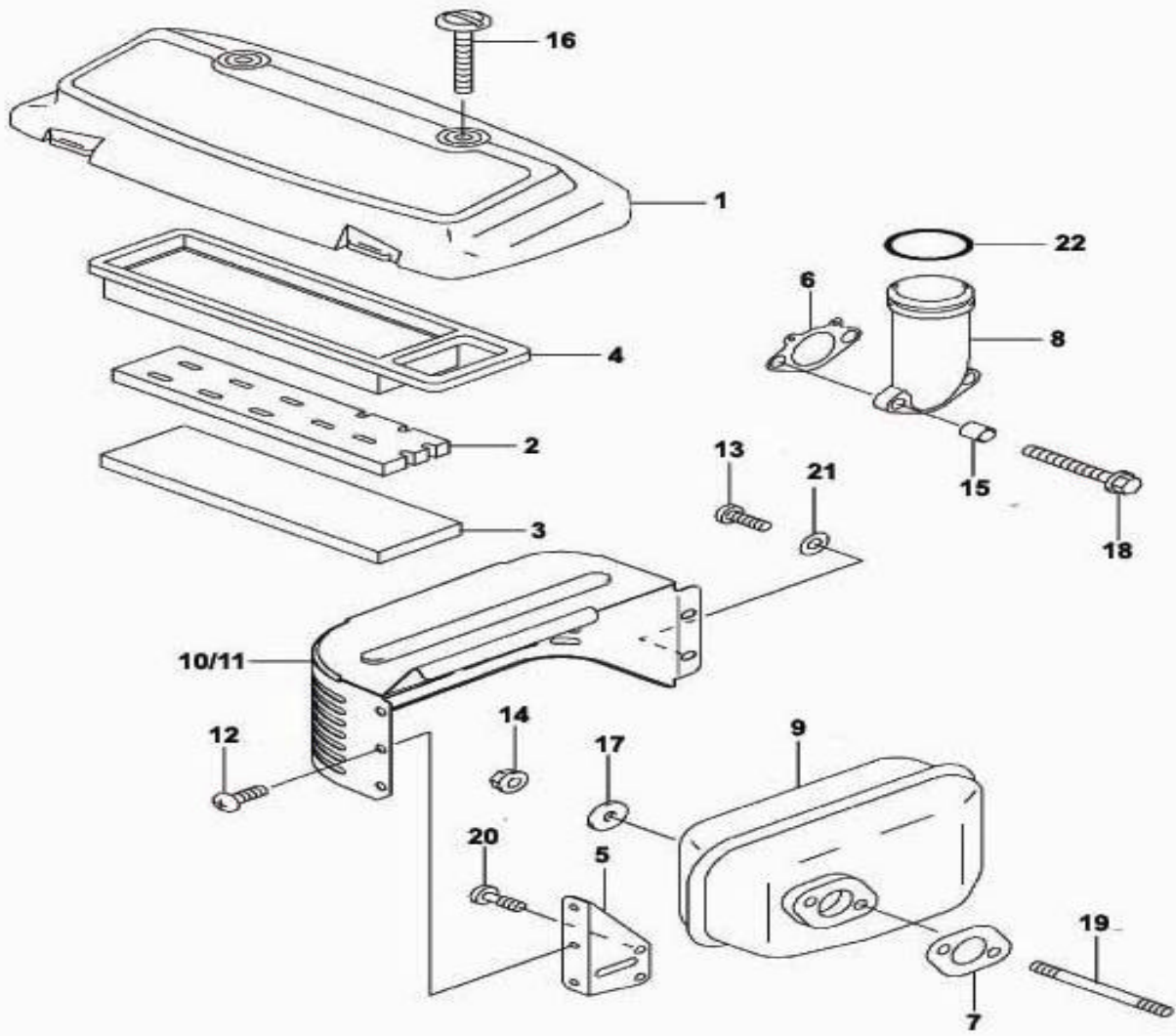
K08-L  
ENGINE/MOTEUR





# K09- AIR FILTER / MUFFLER FILTRE A AIR / SILENCIEUX

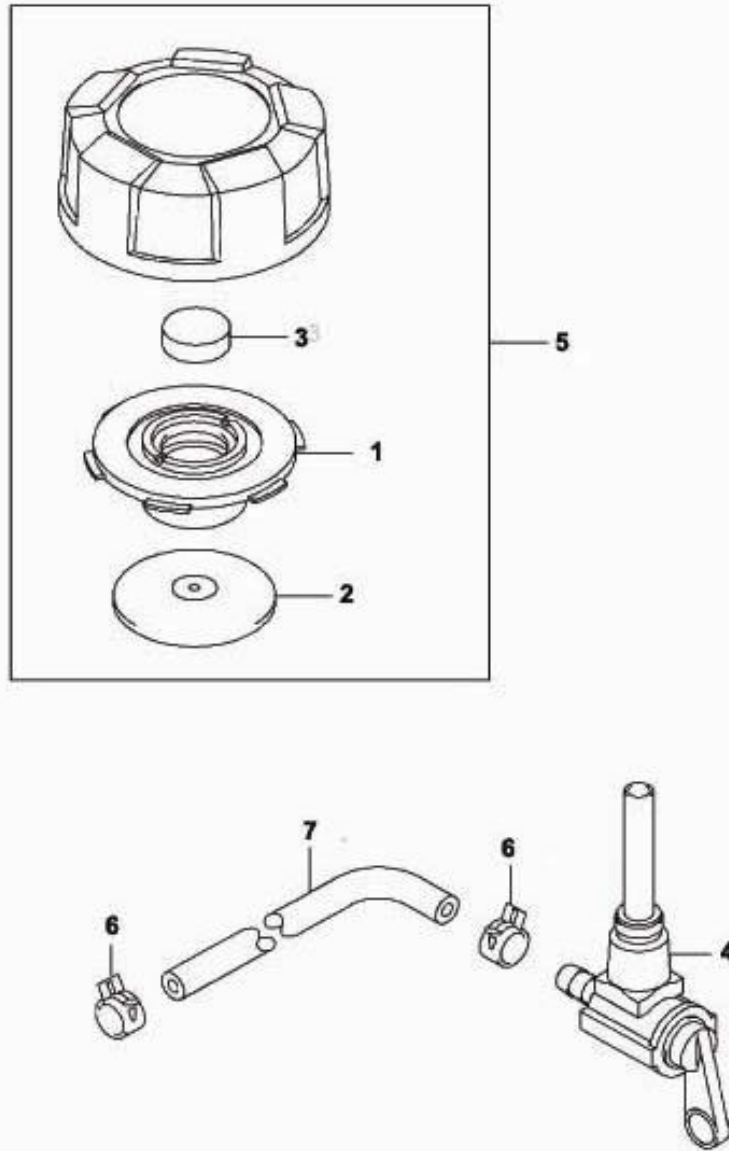
K09-L  
ENGINE/MOTEUR





# K10- FUEL TANK VALVE ROBINET BOUCHON CARBURANT

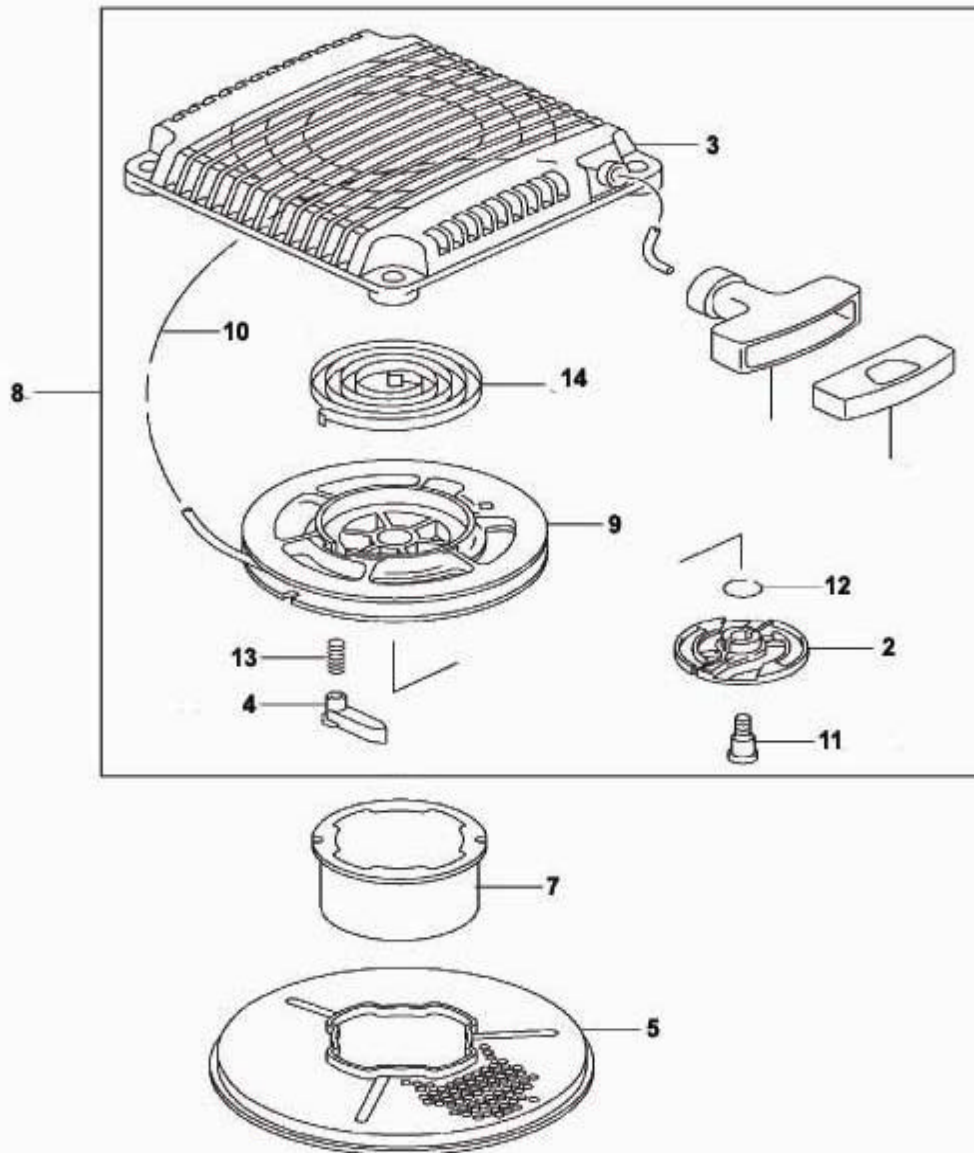
**K10-L**  
ENGINE/MOTEUR





# K11- STARTER LANCEUR

**K11-L**  
ENGINE/MOTEUR











---

# W 721

---

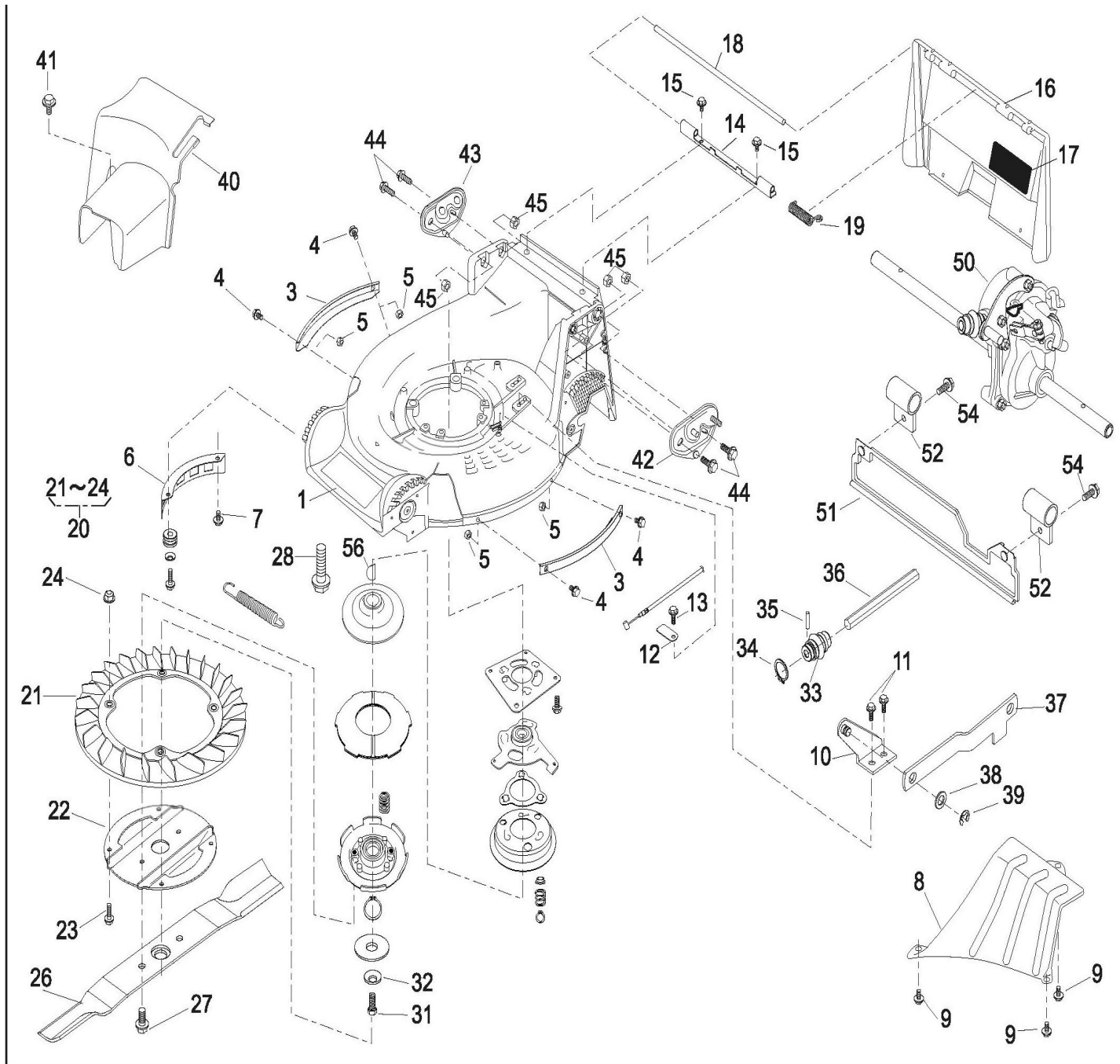
- CARTER DE LAME K13
- ROUES K14
- EMBRAYAGE DE LAME K15
- TRANSMISSION K16
- SAC A HERBE / GUIDON / CABLES K17

- 
- CUTTER HOUSING K13
  - WHEELS K14
  - CLUTCH BLADE ASSY K15
  - HST K16
  - GRASS CATCHER BAG / HANDLE / CABLES K17
-

# K13- W721 Phase 1 (~10930) CUTTER HOUSING / BLADE CARTER DE LAME / LAME

K13-L  
W721

1/2



NOT SHOWN ON DRAWING // NE FIGURE PAS SUR LE SCHEMA

ITEM 25

>>>>>

W21TS00922

HI-LIFT BLADE // LAME SOUFFLANTE

# K13- W721 Phase 1 (~10930)

## CUTTER HOUSING / BLADE

### CARTER DE LAME / LAME

**K13-R**  
W721

1/2

POS N	PART NUMBER REFERENCE	PART NAME	DESCRIPTION	QTY QTE	I.C.	REMARKS REMARQUE
1	W21TS00081	HOUSING	CARTER DE TONDEUSE	1		
2						
3	W21TS00082	PROTECTOR	PROTECTION	2		
4	W21TS00058	FLANGE BOLT	VIS	4		
5	W21TS00086	HEXAGON NUT	ECROU	4		
6	W21TS00067	COVER	COUVERCLE	1		
7	W21TS00061	FLANGE TAPPING BOLT	VIS	1		
8	W21TS00068	COVER	COUVERCLE	1		
9	W21TS00061	FLANGE TAPPING BOLT	VIS	3		
10	W21TS00011	STAY C.P.	SUPPORT	1		
11	W21TS00061	FLANGE TAPPING BOLT	VIS	2		
12	W21TS00030	STAY	SUPPORT	1		
13	W21TS00061	FLANGE TAPPING BOLT	VIS	1		
14	W21TS00029	STAY	SUPPORT	1		
15	W21TS00061	FLANGE TAPPING BOLT	VIS	2		
16	W21TS00070	GUARD	COUVERCLE D'EJECTION	1		
17	W21TS00072	RUBBER SHEET	CAOUTCHOUC	1		
18	W21TS00109	SHAFT	ARBRE	1		
19	W21TS00817	SPRING	RESSORT	1		
20	W21TS00139	FAN ASSY	ENS. VENTILATEUR	1		
21	W21TS00819	FAN	VENTILATEUR	1		
22	W21TS00021	HOLDER	SUPPORT VENTILO.	1		
23	W21TS00052	PRE-COAT LOCK BOLT	VIS FREIN	4		
24	W21TS00092	FLANGE NUT	ECROU	4		
25	W21TS00922	HI-LIFT BLADE	LAME SOUFFLANTE	1		NEW
26	W21TS00169	BLADE	LAME	1		
27	W21TS00060	FLANGE BOLT	VIS	2		
28	W21TS00059	FLANGE BOLT	VIS	4		
29						
30	W21TS00919	BRAKE ASSY	EMBAYAGE + FREIN DE LAME	1		NEW
31	W21TS00046	HEXAGON BOLT	VIS	1		
32	W21TS00115	SPRING WASHER	RONDELLE	1		
33	W21TS00173	UNIVERSAL JOINT	CARDAN	1		
34	W21TS00160	C-SNAP RING	ANNEAU	1		
35	W21TS00145	PARALLEL PIN	GOUPILLE	1		
36	W21TS00111	SHAFT	ARBRE	1		
37	W21TS00170	CONNECTOR	CONNECTEUR	1		
38	W21TS00133	WASH ER	RONDELLE	1		
39	W21TS00163	E-SNAP RING	ANNEAU	1		
40	W21TS00069	COVER	COUVERCLE	1		
41	W21TS00062	FLANGE TAPPING BOLT	VIS	1		
42	W21TS00084	HANDLE BRACKET(L)	SUPPORT GUIDON GA	1		
43	W21TS00085	HANDLE BRACKET(R)	SUPPORT GUIDON DR	1		
44	W21TS00045	HEXAGON BOLT	VIS HEX	4		
45	W21TS00087	HEXAGON NUT	ECROU HEX	4		
46						
47						

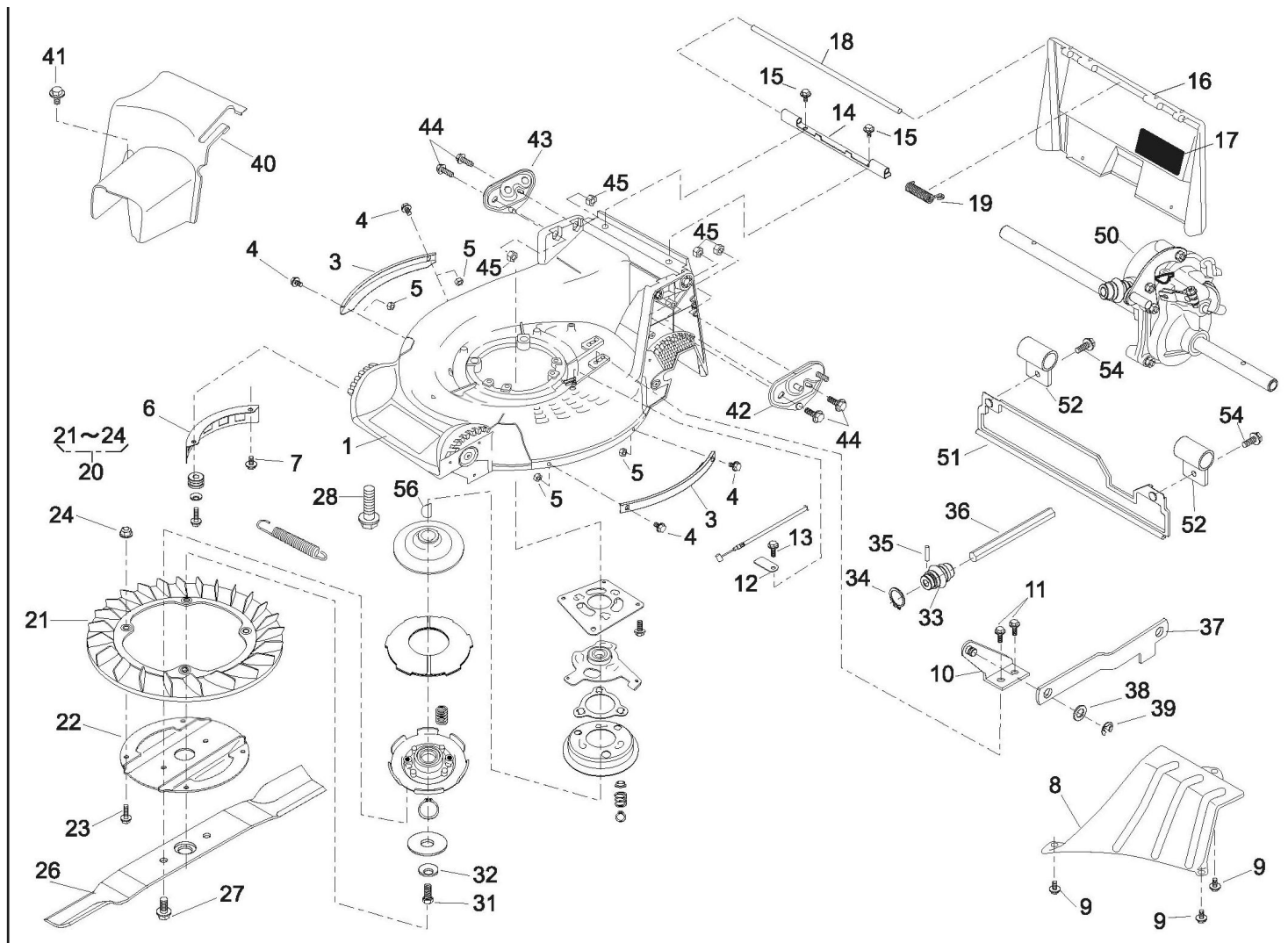
# K13- W721 Phase 1 (~10930)

## CUTTER HOUSING / BLADE

### CARTER DE LAME / LAME

**K13-L**  
W721

2/2



48						
49						
50	W21TS00135	GEAR CASE ASSY	ENS. TRANSMISSION	1		
51	W21TS00065	SAFETY GUARD	PLAQUE DE SECURITE	1		
52	W21TS00013	HANGER BAND	SUPPORT DE PLAQUE	2		
53						
54	W21TS00058	FLANGE BOLT	VIS	2		
55	W21ES00000	ENGINE FC180V-C53	MOTEUR CPLT FC180V-C53	1		
56	W21ES00040	KEY	CLAVETTE	1		





# K13- W721 Phase 2 (10931~)

## CUTTER HOUSING / BLADE

### CARTER DE LAME / LAME

**K13-R**  
W721

1/2

POS N	PART NUMBER REFERENCE	PART NAME	DESCRIPTION	QTY QTE	I.C.	REMARKS REMARQUE
1	W21TS01011	HOUSING	CARTER DE TONDEUSE	1		
2						
3	W21TS00082	PROTECTOR	PROTECTION	2		
4	W21TS00058	FLANGE BOLT	VIS	4		
5	W21TS00086	HEXAGON NUT	ECROU	4		
6	W21TS00067	COVER	COUVERCLE	1		
7	W21TS00061	FLANGE TAPPING BOLT	VIS	1		
8						
9						
10	W21TS00011	STAY C.P.	SUPPORT	1		
11	W21TS00061	FLANGE TAPPING BOLT	VIS	2		
12	W21TS00030	STAY	SUPPORT	1		
13	W21TS00061	FLANGE TAPPING BOLT	VIS	1		
14	W21TS00029	STAY	SUPPORT	1		
15	W21TS00061	FLANGE TAPPING BOLT	VIS	2		
16	W21TS00070	GUARD	COUVERCLE D'EJECTION	1		
17	W21TS00072	RUBBER SHEET	CAOUTCHOUC	1		
18	W21TS01020	SHAFT	ARBRE	1		
19	W21TS00817	SPRING	RESSORT	1		
20	W21TS00139	FAN ASSY	ENS. VENTILATEUR	1		
21	W21TS00819	FAN	VENTILATEUR	1		
22	W21TS00021	HOLDER	SUPPORT VENTILO.	1		
23	W21TS00052	PRE-COAT LOCK BOLT	VIS FREIN	4		
24	W21TS00092	FLANGE NUT	ECROU	4		
25	W21TS01016	SPACER	ENTRETOISE	2		
26	W21TS00988	BLADE HI-LIFT	LAME SOUFFLANTE AJOUREE	1		
27	W21TS00060	FLANGE BOLT	VIS	2		
28	W21TS01001	FLANGE BOLT	VIS	3		
29	W21TS00997	STUD	GOIJON	1		
30	W21TS01030	BRAKE ASSY	EMBAYAGE + FREIN DE LAME	1		
31	???	COVER (see next page)	COUVERCLE (cf detail page suivante)	1		
32						
33	W21TS00173	UNIVERSAL JOINT	CARDAN	1		
34	W21TS00160	C-SNAP RING	ANNEAU	1		
35	W21TS00145	PARALLEL PIN	GOUPILLE	1		
36	W21TS00111	SHAFT	ARBRE	1		
37	W21TS00170	CONNECTOR	CONNECTEUR	1		
38	W21TS00133	WASHER	RONDELLE	1		
39	W21TS00163	E-SNAP RING	ANNEAU	1		
40	W21TS00069	COVER	COUVERCLE	1		
41	W21TS00062	FLANGE TAPPING BOLT	VIS	1		
42	W21TS00084	HANDLE BRACKET(L)	SUPPORT GUIDON GA	1		
43	W21TS00085	HANDLE BRACKET(R)	SUPPORT GUIDON DR	1		
44	W21TS00045	HEXAGON BOLT	VIS HEX	4		
45	W21TS00087	HEXAGON NUT	ECROU HEX	4		
46						
47						
48						

# K13- W721 Phase 2 (10931~)

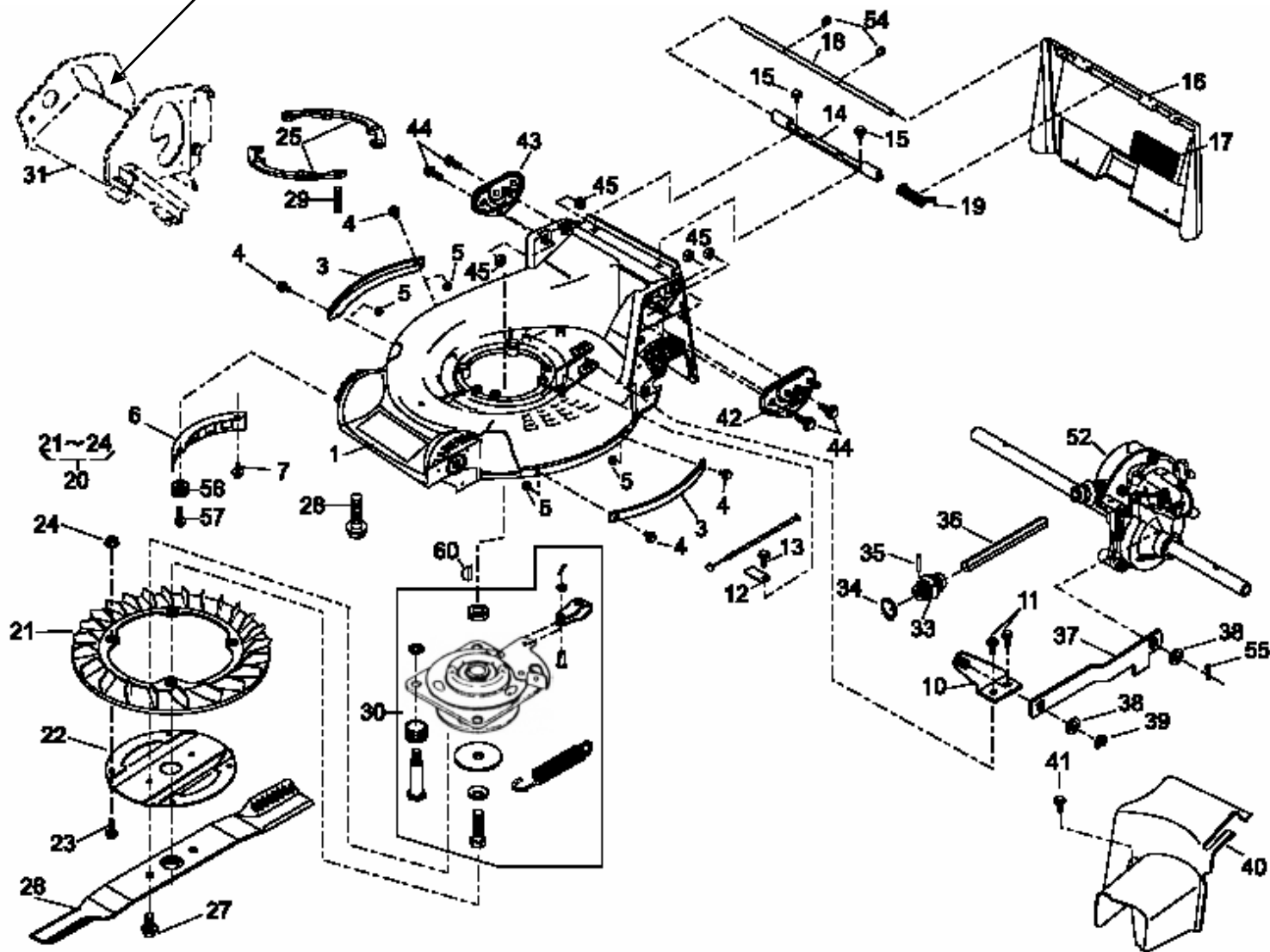
## CUTTER HOUSING / BLADE

### CARTER DE LAME / LAME

**K13-R**  
W721

Voir page suivante  
pour le détail

2/2



49					
50					
51					
52	W21TS00135	GEAR CASE ASSY	ENS. TRANSMISSION	1	
53					
54	W21TS01032	E-SNAP RING	ANNEAU	2	
55	W21TS00213	SNAP PIN	AXE		
56	W21TS00016	COLLAR	COLLIER	1	
57	W21TS00063	FLANGE TAPPING BOLT	VIS		
58					
59	W21ES00000	ENGINE FC180V-C53	MOTEUR CPLT FC180V-C53	1	
60	W21ES00040	KEY	CLAVETTE		

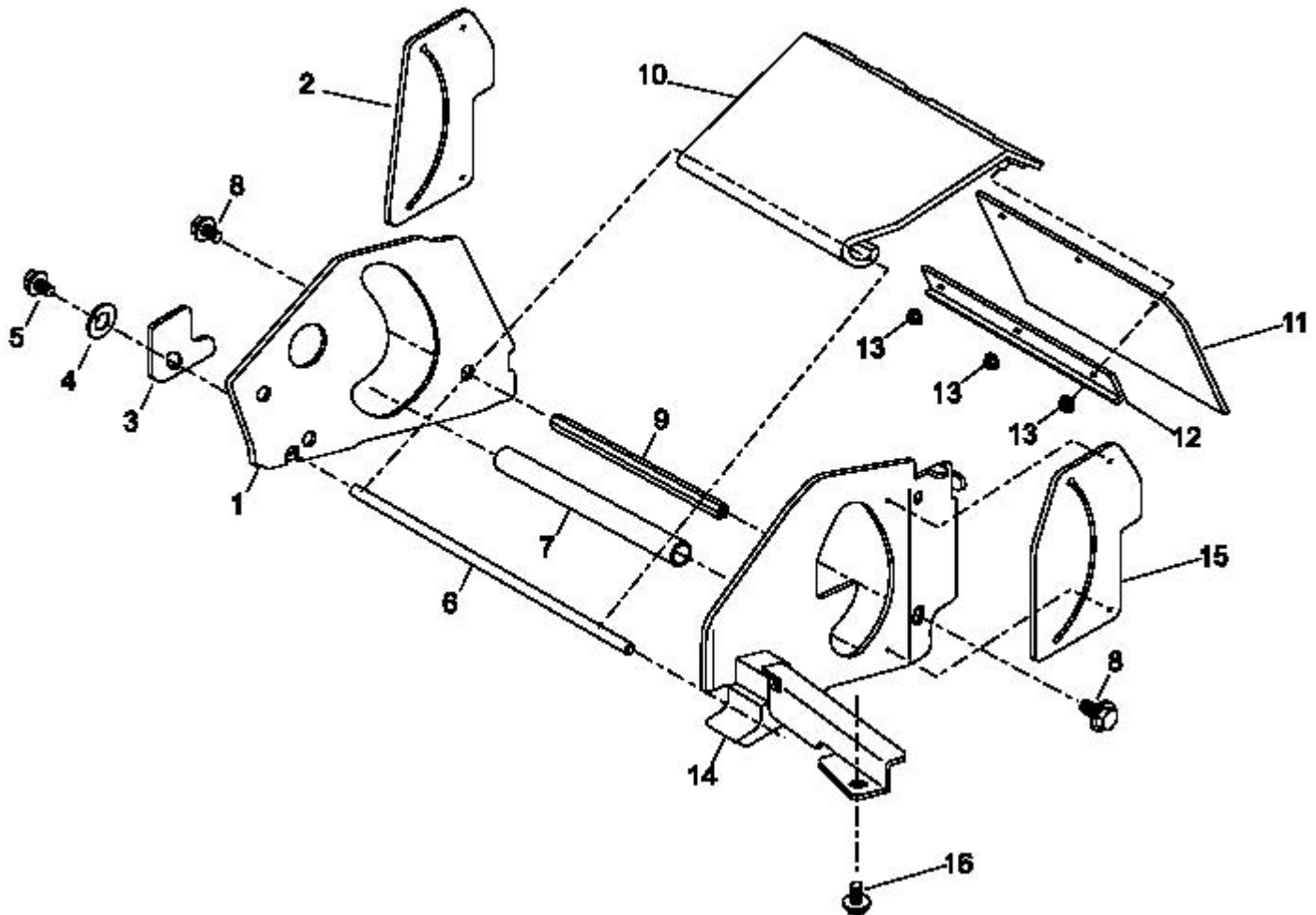
# K13- W721 Phase 2

## CUTTER HOUSING / BLADE CARTER DE LAME / LAME

# K13-L

  
W721

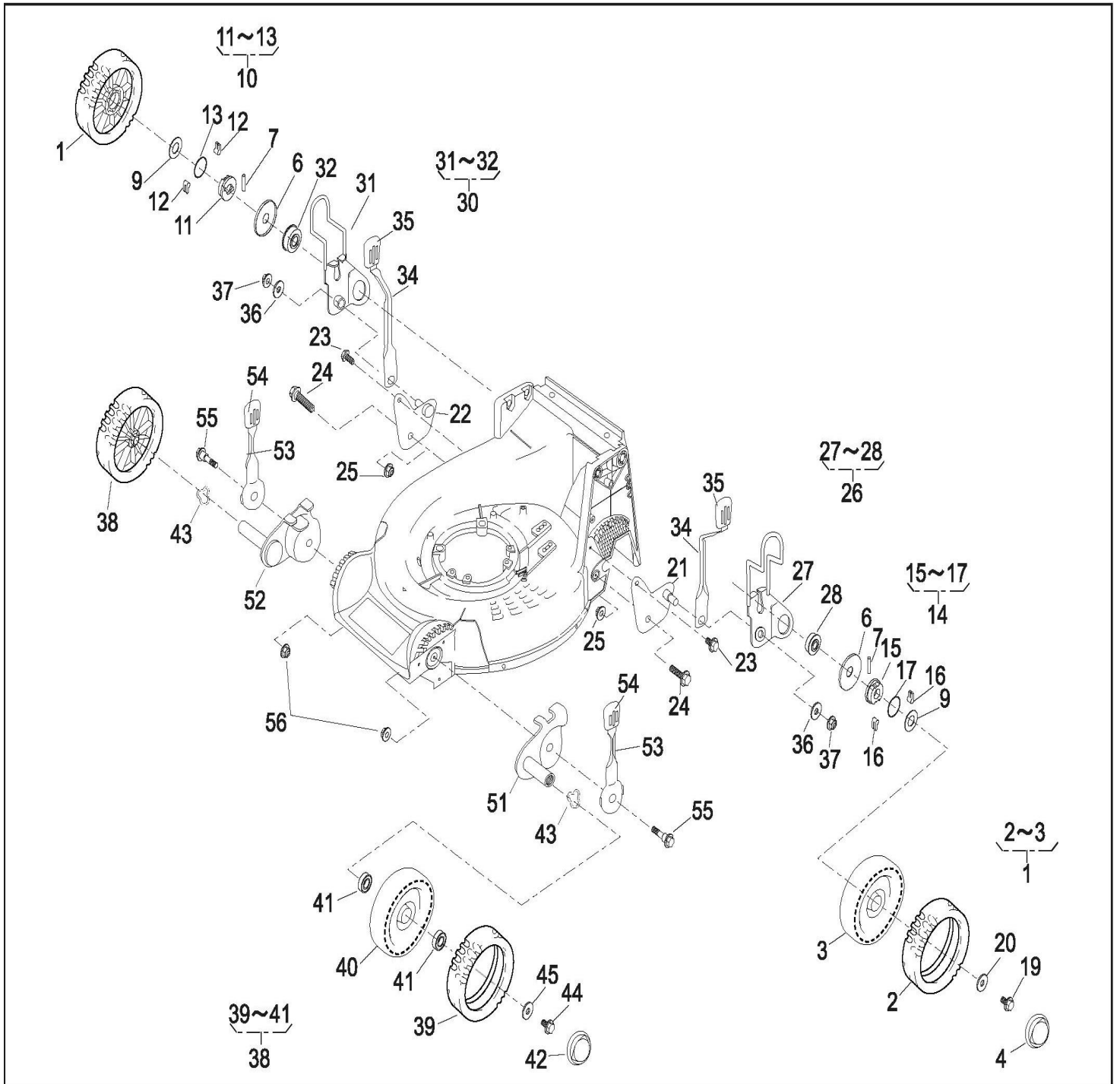
### -----COVER / COUVERCLE (item n°31)-----



POS N	PART NUMBER REFERENCE	PART NAME	DESCRIPTION	QTY QTE	I.C.	REMARKS REMARQUE
1	W21TS00990	STAY C.P	SUPPORT		1	
2	W21TS01004	RUBBER SHEET	CAHOUTCHOUC		1	
3	W21TS00996	STAY	SUPPORT		1	
4	W21TS00105	PLAIN WASHER	RONDELLE		1	
5	W21TS01008	SOCKET SCREW FLANGE	VIS		1	
6	W21TS01018	SHAFT	ARBRE		1	
7	W21TS00993	COLLAR	COLLIER		1	
8	W21TS00044	HEXAGON BOLT	ECROU HEX.		2	
9	W21TS01019	SHAFT	ARBRE		1	
10	W21TS01012	COVER C.P	COUVERCLE		1	
11	W21TS01003	RUBBER SHEET	CAHOUTCHOUC		1	
12	W21TS00992	FIXING PLATE	CONNECTEUR		1	
13	W21TS01013	FLANGE NYLON NUT	ECROU		3	
14	W21TS00991	STAY C.P	SUPPORT		1	
15	W21TS01005	RUBBER SHEET	CAHOUTCHOUC		1	
16	W21TS00061	FLANGE TAPPING BOLT	VIS		1	

# K14- WHEELS ROUES

K14-L  
W721



# K14- WHEELS ROUES

K14-R  
W721

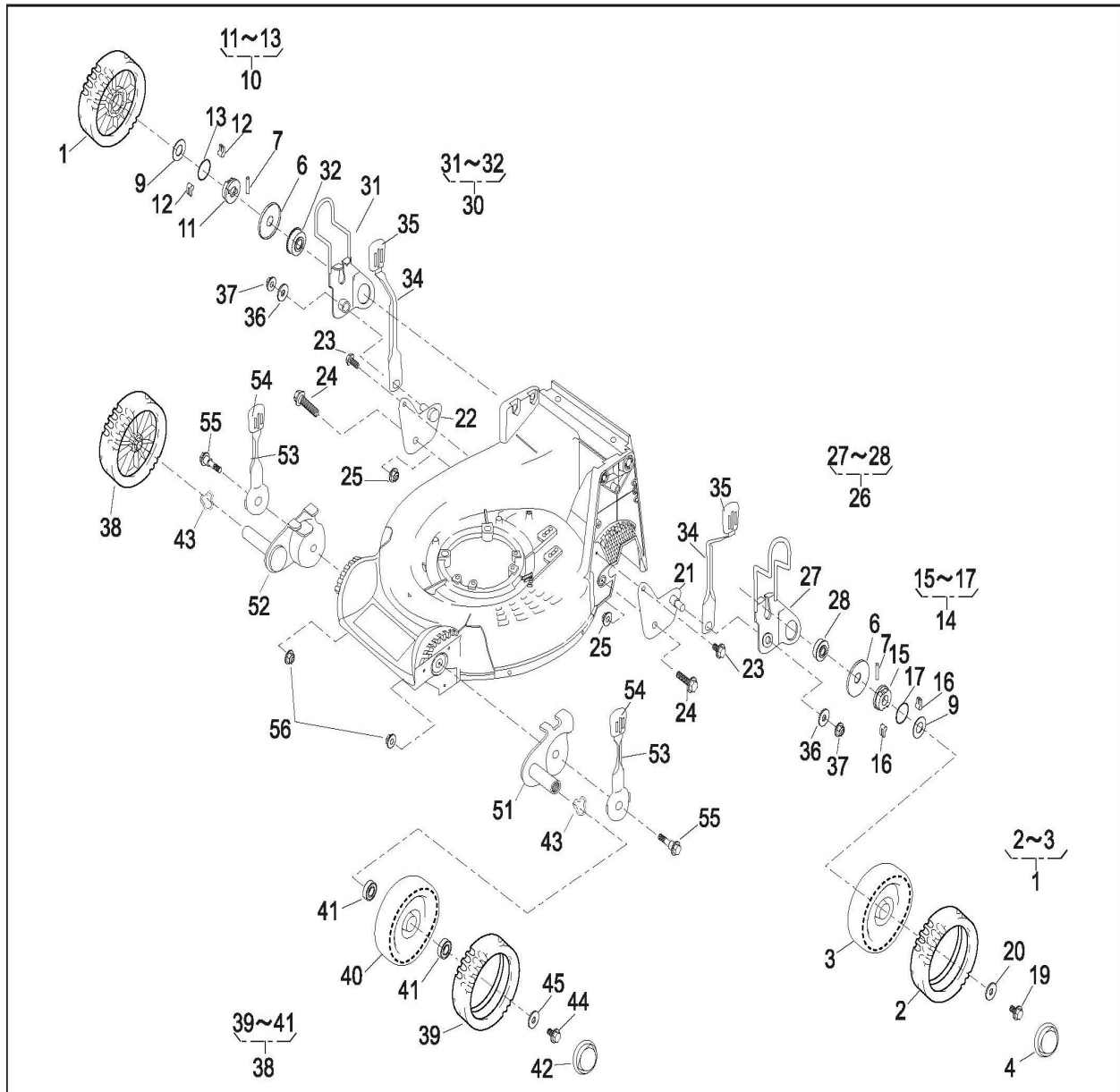
1/2

POS N	PART NUMBER REFERENCE	PART NAME	DESCRIPTION	QTY QTE	I.C.	REMARKS REMARQUE
1	W21TS00007	WHEEL ASSY(R)	ENS.ROUE ARR.	2		
2	W21TS00171	TIRE	PNEU	2		
3	W21TS01006	WHEEL	JANTE	2		
4	W21TS00071	CAP	BOUCHON	2		
5						
6	W21TS00097	THRUST PLATE	RONDELLE	2		
7	W21TS00039	PIN	GOUPILLE	2		
8						
9	W21TS00131	WASHER	RONDELLE	2		
10	W21TS00142	RATCHET ASSY(R)	ENS.RATCHET DR.	1		
11	W21TS00020	RATCHET	CLIQUET DE ROUE	1		
12	W21TS00041	PIN	AXE	2		
13	W21TS00120	SPRING	RESSORT	1		
14	W21TS00143	RATCHET ASSY(L)	ENS.RATCHET GA.	1		
15	W21TS00020	RATCHET	CLIQUET DE ROUE	1		
16	W21TS00041	PIN	AXE	2		
17	W21TS00120	SPRING	RESSORT	1		
18						
19	W21TS00044	HEXAGON BOLT	VIS	2		
20	W21TS00130	WASHER	RONDELLE	2		
21	W21TS00009	STAY C.P.(RL)	SUPPORT ARR. GA	1		
22	W21TS00010	STAY C.P.(RR)	SUPPORT ARR. DR	1		
23	W21TS00061	FLANGE TAPPING BOLT	VIS	2		
24	W21TS00045	HEXAGON BOLT	VIS	2		
25	W21TS00088	FLANGE NYLON NUT	ECROU	2		PHASE 1
25	W21TS01014	U-FLANGE NUT	ECROU	2		PHASE 2
26	W21TS00140	ADJUSTER ASSY(L)	ENS. REGLAGE GA	1		
27	W21TS00032	ADJUSTER(RL)	EXCENTRIQUE ARR. GA	1		
28	W21TS00175	BEARING		1		
29						
30	W21TS00141	ADJUSTER ASSY(R)	ENS. REGLAGE DR	1		
31	W21TS00033	ADJUSTER(RR)	EXCENTRIQUE ARR. DR	1		
32	W21TS00175	BEARING	ROULEMENT	1		
33						
34	W21TS00036	ADJUST LEVER	LEVIER REGLAGE	2		
35	W21TS00066	KNOB	POMMEAU DE LEVIER	2		
36	W21TS00105	PLAIN WASHER	RONDELLE	2		
37	W21TS00088	FLANGE NYLON NUT	ECROU	2		
38	W21TS00137	WHEEL ASSY(F)	ENS. ROUE AVANT	2		
39	W21TS00171	TIRE	PNEU	2		
40	W21TS00064	WHEEL	JANTE	2		
41	W21TS00174	BEARING	ROULEMENT	4		
42	W21TS00071	CAP	BOUCHON	2		
43	W21TS00113	WAVE SPRING WASHER	RONDELLE	2		
44	W21TS00044	HEXAGON BOLT	BOULON	2		
45	W21TS00130	WASH ER	RONDELLE	2		
46						
47						
48						

# K14- WHEELS ROUES

K14-L  
W721

2/2



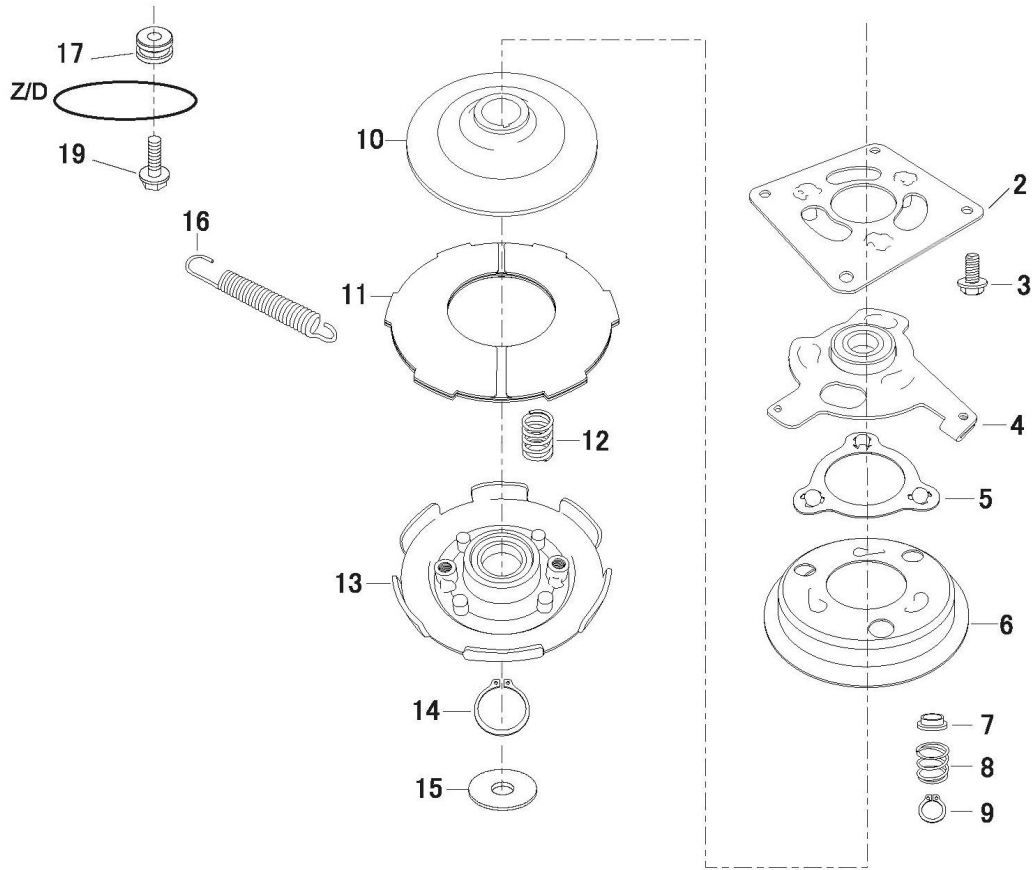
49					
50					
51	W21TS00034	ADJUSTER(FL)	REGLAGE EXCENT.AVT GA		
52	W21TS00035	ADJUSTER(FR)	REGLAGE EXCENT.AVT DR	1	
53	W21TS00037	ADJUST LEVER		2	
54	W21TS00066	KNOB	POMMEAU DE LEVIER	2	
55	W21TS00047	HEXAGON BOLT	VIS	2	
56	W21TS00088	FLANGE NYLON NUT	ECROU	2	

# K15- W721 Phase 1

## CLUTCH BLADE ASSY

## EMBAYAGE DE LAME

**K15-L**  
W721



**NOT SHOWN ON DRAWING // NE FIGURE PAS SUR LE SCHEMA**

ITEM 1 >>>>>> W21TS00919 ITEM 2~19 BRAKE ASSY // EMBRAYAGE+FREIN DE LAME

ITEM 18 >>>>>> W21TS00920 ITEM 10~14 ASSY BRAKE HOLDER // EMBRAYAGE



# K15- W721 Phase 1

## CLUTCH BLADE ASSY

## EMBAYAGE DE LAME

<b>K15-R</b>
<b>W721</b>

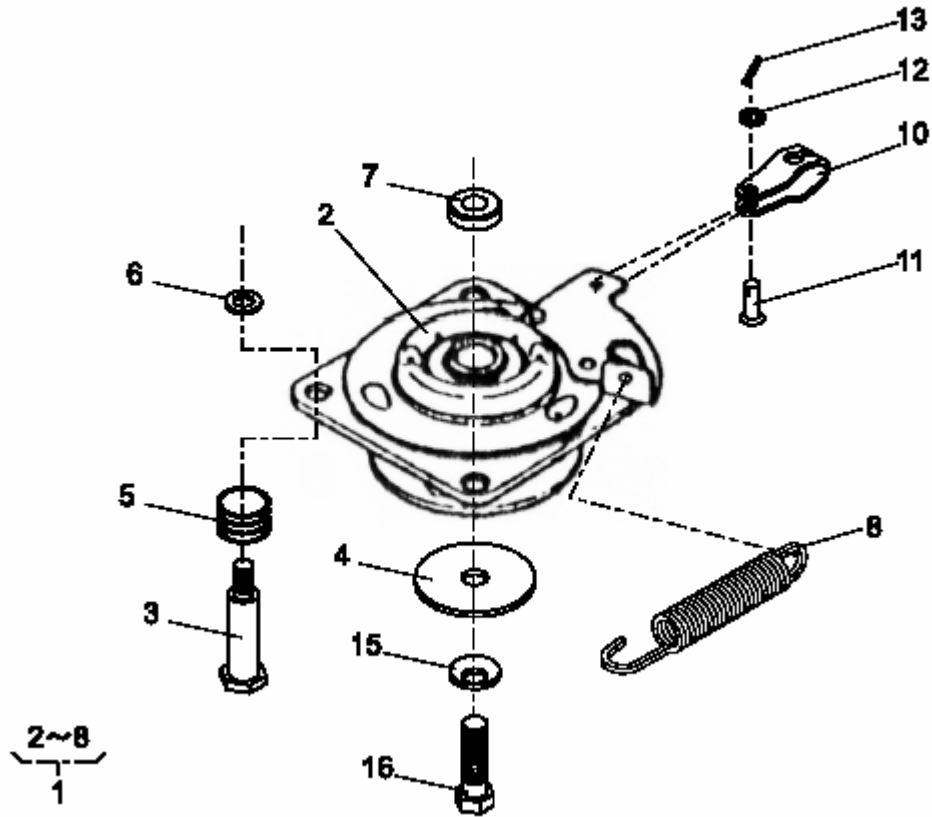
POS N	PART NUMBER REFERENCE	PART NAME	DESCRIPTION	QTY QTE	I.C.	REMARKS REMARQUE
1	W21TS00919	BRAKE ASSY	EMBAYAGE + FREIN DE LAME	1		ITEM N°2-19
2	W21TS00012	STAY C.P.	SUPPORT	1		
3	W21TS00044	HEXAGON BOLT	VIS	4		
4	W21TS00026	SWING ARM	BRAS COMMANDE	1		
5	W21TS00025	RETAINER	RETAINER	1		
6	W21TS00024	BRAKE DRUM	PLAQUE MOBILE	1		
7	W21TS00151	BUSH	BAGUE	3		
8	W21TS00125	SPRING	RESSORT	3		
9	W21TS00159	C-SNAP RING	ANNEAU	3		
10	W21TS00018	CLUTCH DISK	DISQUE D' EMBAYAGE	1		
11	W21TS00134	FRICTION PLATE	PLAQUE DE FRICTION	1		
12	W21TS00126	SPRING	RESSORT	4		
13	W21TS00027	BLADE HOLDER	SUPPORT DE LAME	1		
14	W21TS00162	C-SNAP RING	ANNEAU	1		
15	W21TS00132	WASHER	RONDELLE	1		
16	W21TS00127	SPRING	RESSORT DE RAPPEL	1		
17	W21TS00016	COLLAR	COLLIER	1		
18	W21TS00920	BRAKE HOLDER ASSY	EMBAYAGE			ITEM N°10-14
19	W21TS00063	FLANGE TAPPING BOLT	VIS	1		

# K15- W721 Phase 2

## CLUTCH BLADE ASSY

## EMBAYAGE DE LAME

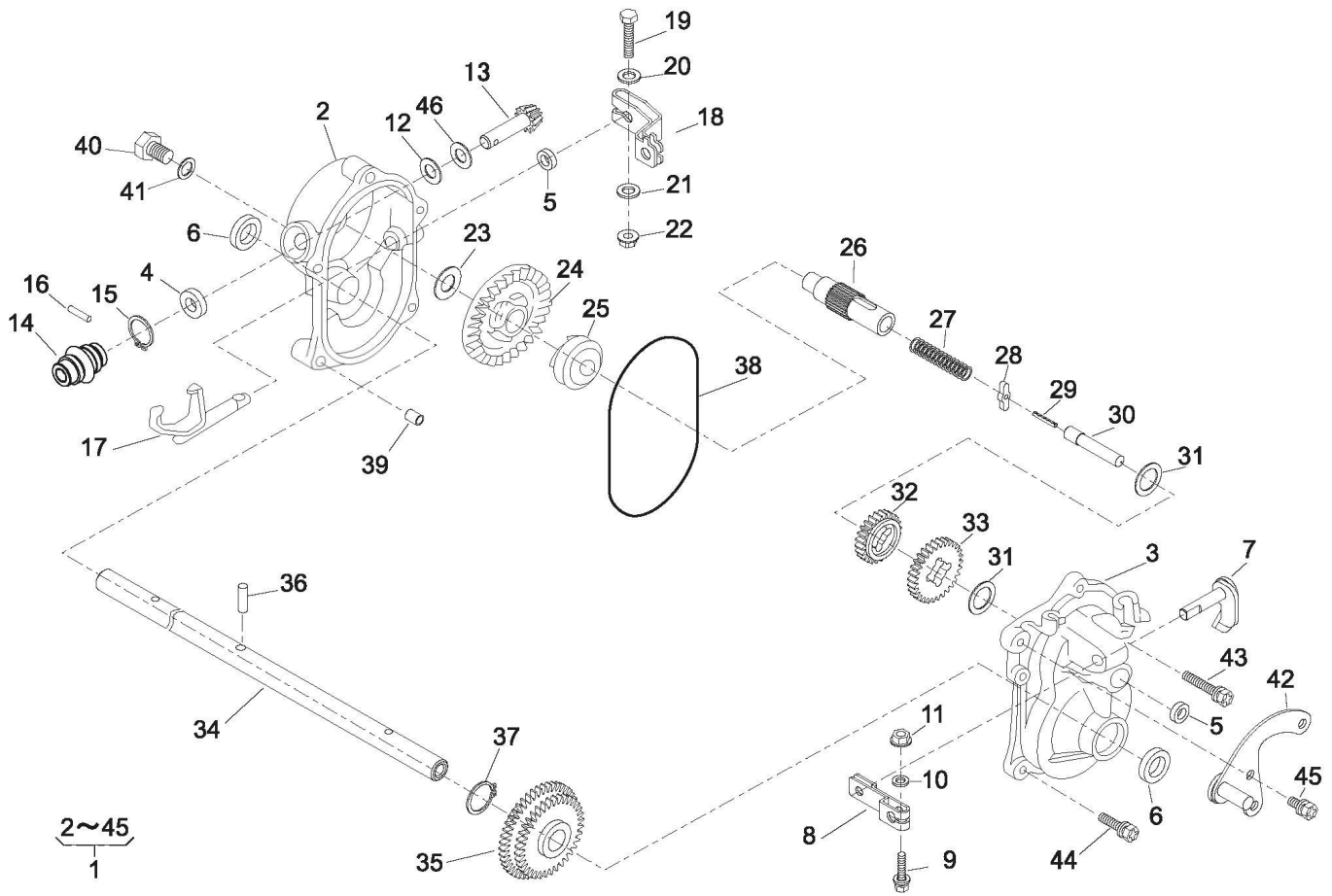
K15-L  
W721



POS N	PART NUMBER REFERENCE	PART NAME	DESCRIPTION	QTY QTE	I.C.	REMARKS REMARQUE
1	W21TS01030	BRAKE SET (BBC)	EMBAYAGE COMPLET	1		
2	W21TS01029	BRAKE ASSY	EMBAYAGE + FREIN DE LAME	1		
3	W21TS01036	BOLT	VIS	4		
4	W21TS01035	WASHER	RONDELLE	1		
5	W21TS01021	SPRING	RESSORT DE RAPPEL	4		
6	W21TS01017	PLAIN WASHER	RONDELLE	4		
7	W21TS01015	SPACER	ENTRETOISE	1		
8	W21TS01022	SPRING	RESSORT	1		
9						
10	W21TS01028	JOINT	JOINTURE ETAU	1		
11	W21TS00998	GIB-HEADED PIN	AXE	1		
12	W21TS01027	WASHER	RONDELLE	1		
13	W21TS01031	SPLIT PIN	GOUPILLE	1		
14						
15	W21TS00115	SPRING WASHER	ECROU	1		
16	W21TS00999	HEXAGON BOLT	VIS HEX.	1		

# K16- TRANSMISSION TRANSMISSION

K16-L  
W721



# K16- TRANSMISSION TRANSMISSION

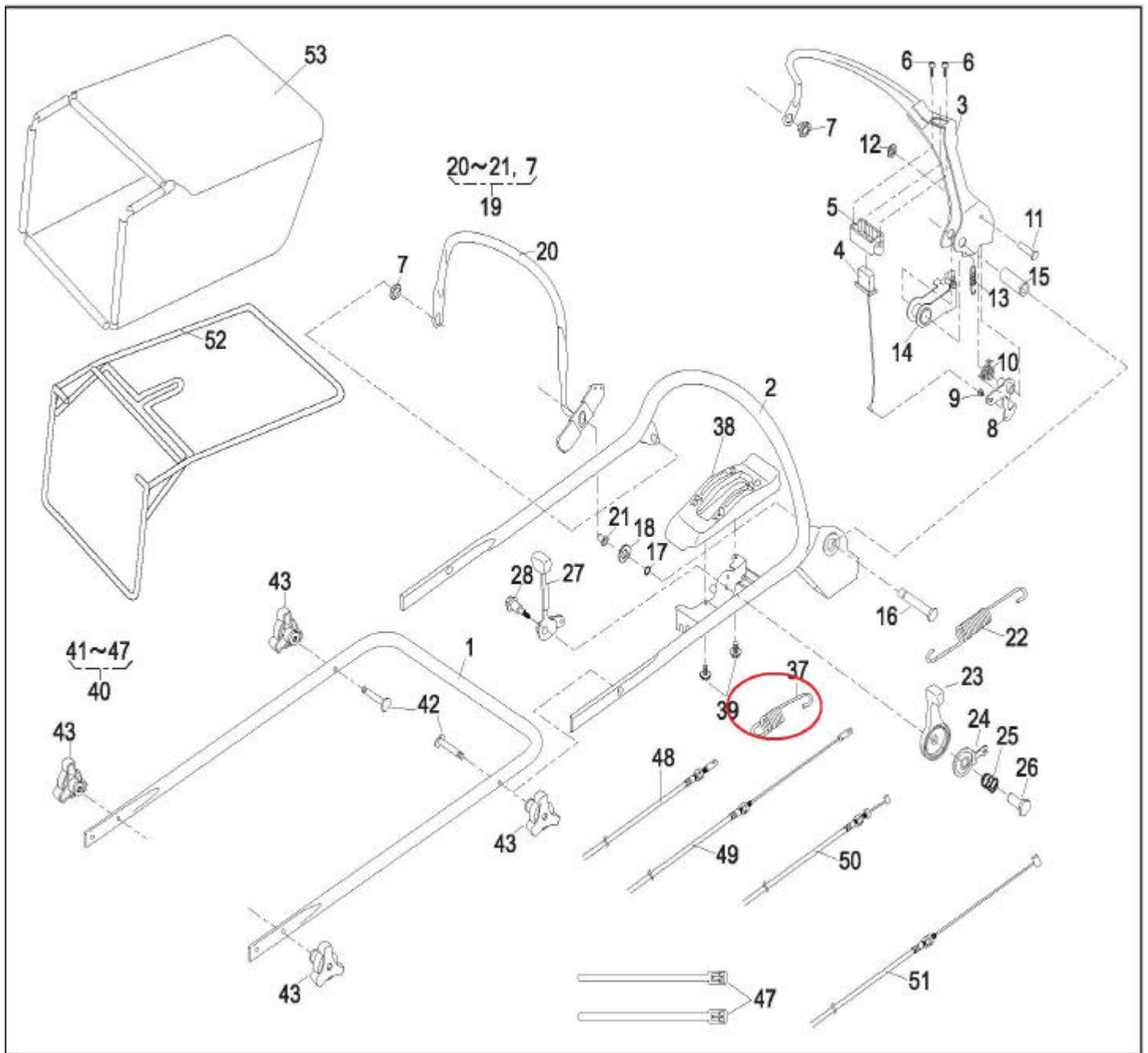
K16-R  
W721

POS N	PART NUMBER REFERENCE	PART NAME	DESCRIPTION	QTY QTE	I.C.	REMARKS REMARQUE
1	W21TS00135	GEAR CASE ASSY	ENS.TRANSMISSION	1		
2	W21TS00077	GEAR CASE	CARTER DE TRANSMISSION	1		
3	W21TS00078	GEAR CASE	CARTER DE TRANSMISSION	1		
4	W21TS00093	OIL SEAL	BAGUE JOINT	1		SD IO 20 5
5	W21TS00094	OIL SEAL	BAGUE JOINT	2		SD 8 14 4
6	W21TS00095	OIL SEAL	BAGUE JOINT	2		SD 15 24 5
7	W21TS00112	SHIFTER SHAFT	ARBRE DE CRABOT	1		
8	W21TS00022	ARM	BRAS	1		
9	W21TS00057	(+)HEXAGON BOLT(W/PW)	VIS	1		M5X25
10	W21TS00102	PLAIN WASHER	RONDELLE	1		M5
11	W21TS00089	FLANGE NUT	ECROU	1		M5
12	W21TS00096	THRUST PLATE	PLAQUE DE BUTEE	1		
13	W21TS00154	PINION	PIGNON CONIQUE ENTR.	1		
14	W21TS00173	UNIVERSAL JOINT	CARDAN	1		
15	W21TS00160	C-SNAP RING	ANNEAU	1		f 20
16	W21TS00145	PARALLEL PIN	GOUPILLE	1		f 4x18
17	W21TS00019	SHIFTER FORK	FOURCHETTE	1		
18	W21TS00023	ARM	BRAS	1		
19	W21TS00053	HEXAGON BOLT	VIS	1		M6X30
20	W21TS00103	PLAIN WASHER	RONDELLE	1		M6
21	W21TS00104	PLAIN WASHER	RONDELLE	1		M6
22	W21TS00090	FLANGE NUT	ECROU	1		M6
23	W21TS00100	SPACER	ENTRETOISE	1		
24	W21TS00153	BEVEL GEAR	PIGNON CONIQUE MENE	1		
25	W21TS00031	CLUTCH	CRABOT	1		
26	W21TS00108	SHAFT	ARBRE	1		
27	W21TS00119	SPRING	RESSORT	1		
28	W21TS00042	PIN	GOUPILLE	1		
29	W21TS00148	SPRING PIN	AXE DE RESSORT	1		
30	W21TS00107	SHAFT	ARBRE	1		
31	W21TS00101	SPACER	ENTRETOISE	2		
32	W21TS00156	GEAR	PIGNON	1		
33	W21TS00155	GEAR	PIGNON	1		
34	W21TS00106	SHAFT	ARBRE	1		
35	W21TS00157	GEAR C.P.	PIGNON	1		
36	W21TS00040	PIN	GOUPILLE	1		
37	W21TS00161	C-SNAP RING	ANNEAU	1		f 22
38	W21TS00038	O-RING	JOINT TORIQUE	1		S110
39	W21TS00015	COLLAR	COLLIER	2		
40	W21TS00048	HEXAGON BOLT	VIS	1		MIOxl.25
41	W21TS00116	FIBER WASHER	RONDELLE	1		
42	W21TS00008	STAY C.P.	SUPPORT	1		Phase 1
42	W21TS00989	STAY C.P.	SUPPORT	1		Phase 2
43	W21TS00054	(+)HEXAGON BOLT(W/SW,	VIS	3		M6x25
44	W21TS00055	(+)HEXAGON BOLT(W/SW,	VIS	2		M6x35
45	W21TS00056	(+)HEXAGON BOLT(W/SW)	VIS	1		M6X12
46	W21TS00117	SHIM	CALE	2		

# K17- W721 Phase 1 (~10930)

## GRASS CATCHER/HANDLE/CABLE SAC A HERBE/GUIDON/CABLES

K17-L  
W721



# K17- W721 Phase 1 (~10930)

## GRASS CATCHER/HANDLE/CABLE SAC A HERBE/GUIDON/CABLES

K17-R  
W721

1/2

POS N	PART NUMBER REFERENCE	PART NAME	DESCRIPTION	QTY QTE	I.C.	REMARKS REMARQUE
1	W21TS00176	HANDLE	GUIDON INF.	1		
2	W21TS00079	HANDLE	GUIDON SUP.	1		
3	W21TS00080	LEVER C.P. (BBC)	LEVIER COMMANDE	1		
4	W21TS00074	BUTTON	BOUJON	1		
5	W21TS00083	GUIDE	GUIDE	1		
6	W21TS00075	(+)TAPPING SCREW	VIS	2		
7	W21TS00152	BUSH	BAGUE	2		
8	W21TS00136	ARM C.P.	BRAS	1		
9	W21TS00150	BUSH	BAGUE	1		
10	W21TS00123	SPRING	RESSORT	1		
11	W21TS00043	GIB-HEADED PIN	GOUPILLE	1		
12	W21TS00091	PUSH NUT	ECROU	1		
13	W21TS00124	SPRING	RESSORT	1		
14	W21TS00028	LINK	MAILLON	1		
15	W21TS00099	SLEEVE	MANCHON	1		
16	W21TS00110	SHAFT	ARBRE	1		
17	W21TS00158	C-SNAP RING	ANNEAU	1		
18	W21TS00105	PLAIN WASHER	RONDELLE	1		
19	W21TS00144	LEVER ASS'Y	ENS. LEVIER	1		
20		LEVER	LEVIER	1		
21	W21TS00149	BUSH	BAGUE	1		
22	W21TS00128	SPRING	RESSORT	1		
23	W21TS00168	THROTTLE	ACCELERATEUR	1		
24	W21TS00098	THRUST PLATE	PLAQUE BUTEE	1		
25	W21TS00122	SPRING	RESSORT	1		
26	W21TS00050	HEXAGON NUT	ECROU	1		
27	W21TS00017	LEVER	LEVIER	1		
28	W21TS00051	PRE-COAT LOCK BOLT	VIS BLOCAGE	1		
29						
30						
31						
32						
33						
34						
35						
36						
37	W21TS00118	SPRING	RESSORT	1		
38	W21TS00146	COVER ASS'Y	COUVERCLE	1		
39	W21TS00076	(+)TAPPING SCREW	VIS	2		
40	W21TS00147	BOLT SET	KIT VISSERIE	1		
41						
42	W21TS00049	HEXAGON BOLT	VIS	2		
43	W21TS00272	KNOB	MOLETTE	4		
44						
45						
46						
47	W21TS00129	WIRE BAND	ATTACHE FIL	2		

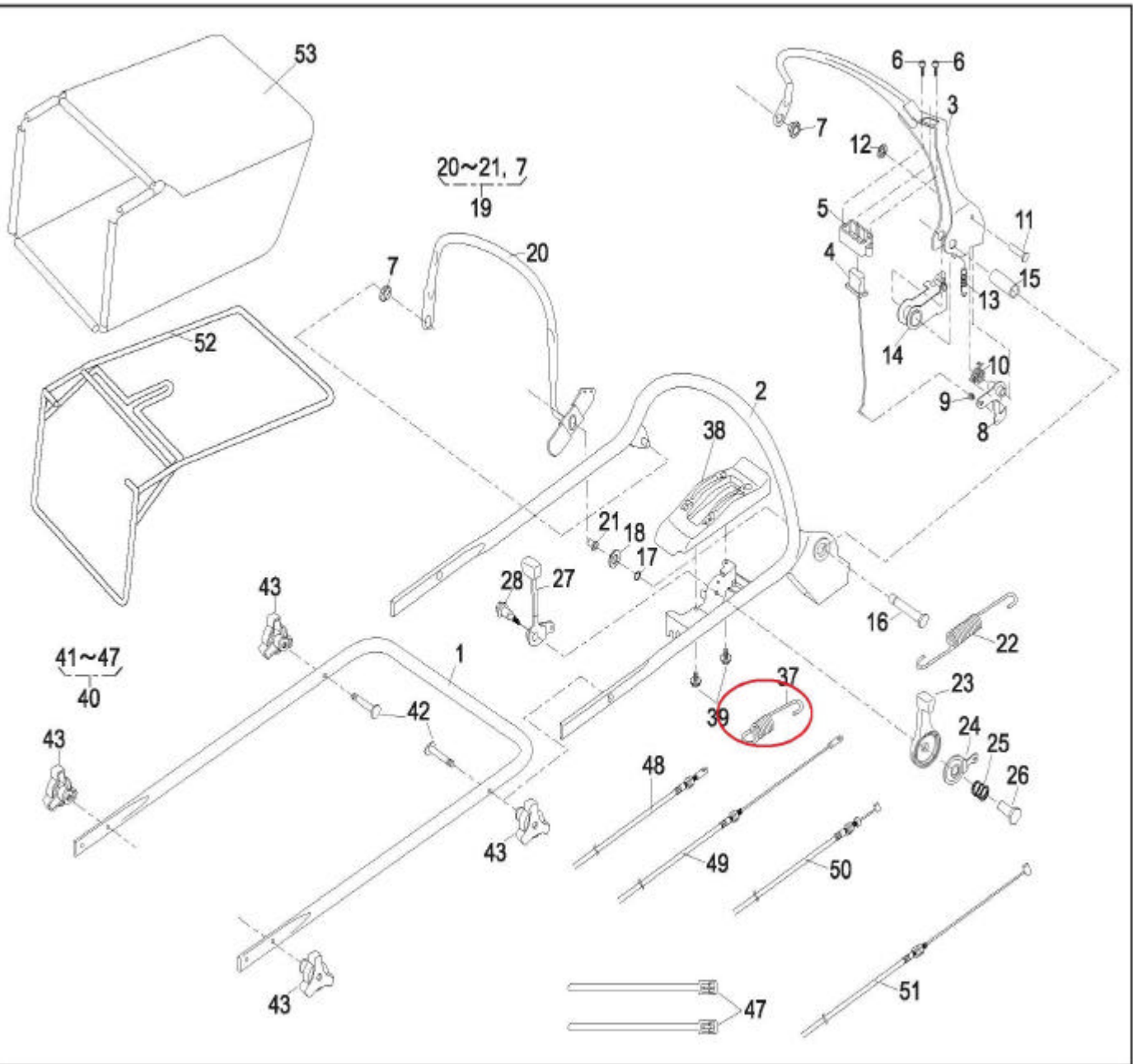
# K17- W721 Phase 1 (~10930)

## GRASS ATCHER/HANDLE/CABLE

## SAC A HERBE/GUIDON/CABLES

2/2

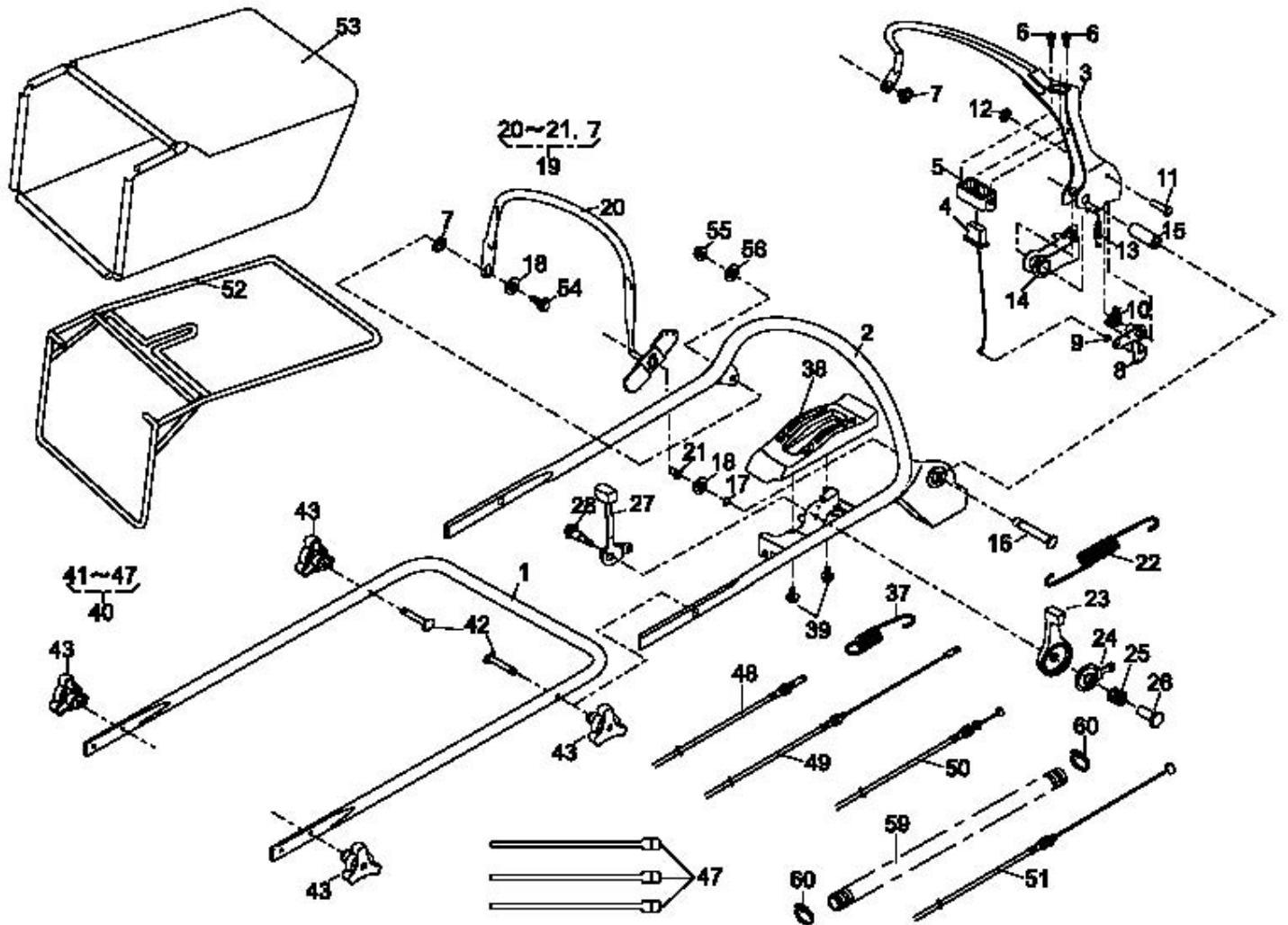
**K17-L**  
W721



48	W21TS00165	CONTROL CABLE	CABLE DE CONTROL E		
49	W21TS00167	CONTROL CABLE	CABLE DE CONTROL E		
50	W21TS00164	THROTTLE WIRE(FC180V)	CABLE D'ACCELERATEUR	1	
51	W21TS00166	CONTROL CABLE BBC	CABLE FREIN LAME	1	
52	W21TS00014	FRAME C.P.	CHASSIS DE BAC	1	
53	W21TS00073	GRASS BAG C.P.(KUBOTA)	SAC A HERBE	1	

**K17- W721 Phase 2 (10931~12690)**  
**GRASS CATCHER/HANDLE/CABLE**  
**SAC A HERBE/GUIDON/CABLES**

**K17-L**  
W721





# K17- W721 Phase 2 (10931~12690)

## GRASS CATCHER/HANDLE/CABLE

### SAC A HERBE/GUIDON/CABLES

**K17-R**  
W721

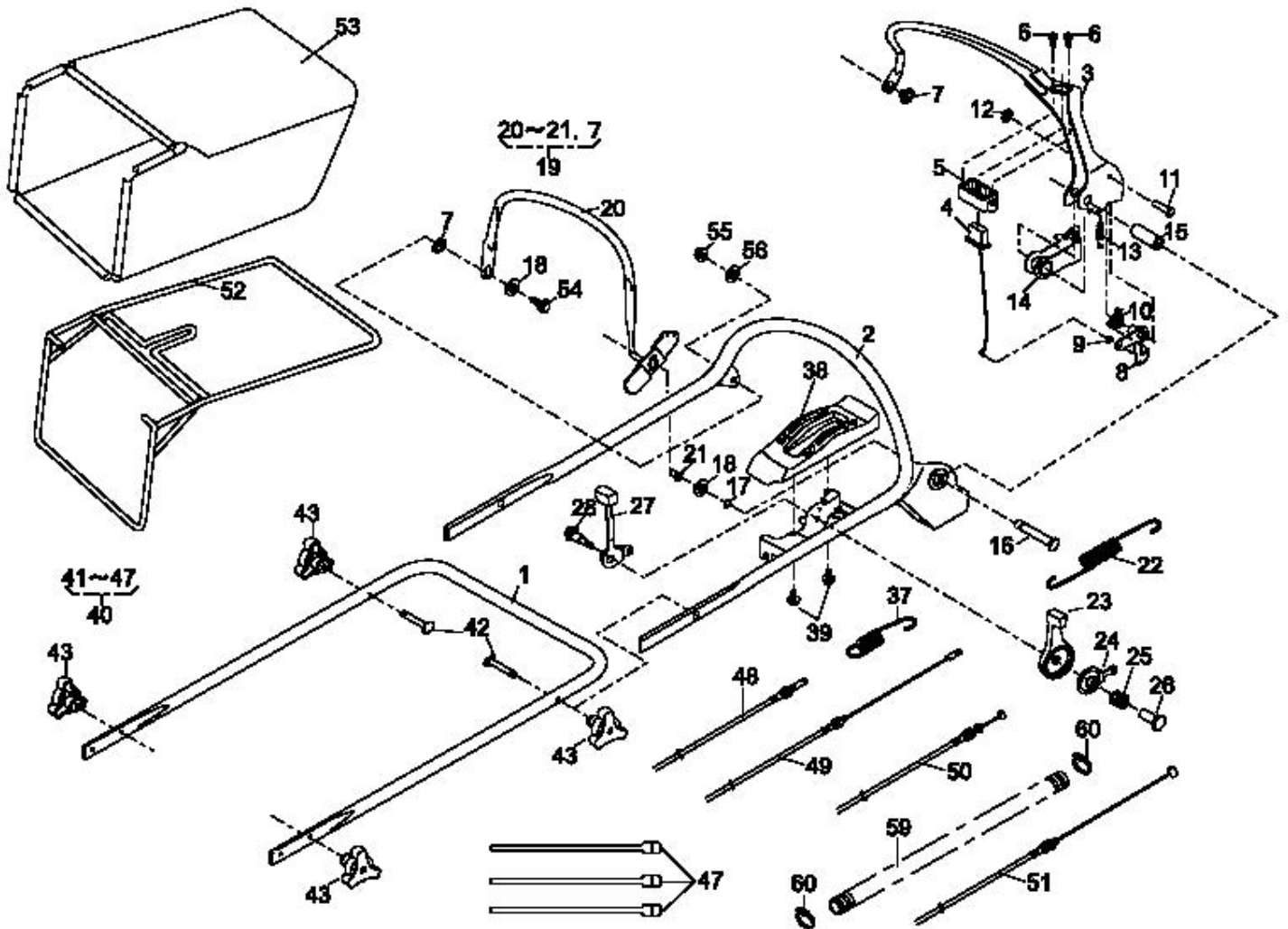
1/2

POS N	PART NUMBER REFERENCE	PART NAME	DESCRIPTION	QTY QTE	I.C.	REMARKS REMARQUE
1	W21TS00176	HANDLE	GUIDON INF.	1		
2	W21TS00079	HANDLE	GUIDON SUP.	1		
3	W21TS00080	LEVER C.P. (BBC)	LEVIER COMMANDE	1		
4	W21TS00074	BUTTON	BOUJON	1		
5	W21TS00083	GUIDE	GUIDE	1		
6	W21TS00075	(+)TAPPING SCREW	VIS	2		
7	W21TS00152	BUSH	BAGUE	2		
8	W21TS00136	ARM C.P.	BRAS	1		
9	W21TS00150	BUSH	BAGUE	1		
10	W21TS00123	SPRING	RESSORT	1		
11	W21TS00043	GIB-HEADED PIN	GOUPILLE	1		
12	W21TS00091	PUSH NUT	ECROU	1		
13	W21TS00124	SPRING	RESSORT	1		
14	W21TS00028	LINK	MAILLON	1		
15	W21TS00099	SLEEVE	MANCHON	1		
16	W21TS00110	SHAFT	ARBRE	1		
17	W21TS00158	C-SNAP RING	ANNEAU	1		
18	W21TS00105	PLAIN WASHER	RONDELLE	1		
19	W21TS00144	LEVER ASS'Y	ENS. LEVIER	1		
20		LEVER	LEVIER	1		
21	W21TS00149	BUSH	BAGUE	1		
22	W21TS00128	SPRING	RESSORT	1		
23	W21TS00168	THROTTLE	ACCELERATEUR	1		
24	W21TS00098	THRUST PLATE	PLAQUE BUTEE	1		
25	W21TS00122	SPRING	RESSORT	1		
26	W21TS00050	HEXAGON NUT	ECROU	1		
27	W21TS00017	LEVER	LEVIER	1		
28	W21TS00051	PRE-COAT LOCK BOLT	VIS BLOCAGE	1		
29						
30						
31						
32						
33						
34						
35						
36						
37	W21TS00118	SPRING	RESSORT	1		
38	W21TS00146	COVER ASS'Y	COUVERCLE	1		
39	W21TS00076	(+)TAPPING SCREW	VIS	2		
40	W21TS00147	BOLT SET	KIT VISSERIE	1		
41						
42	W21TS00049	HEXAGON BOLT	VIS	2		
43	W21TS00272	KNOB	MOLETTE	4		
44						
45						

# K17- W721 Phase 2 (10931~12690) GRASS ATCHER/HANDLE/CABLE SAC A HERBE/GUIDON/CABLES

**K17-L**  
W721

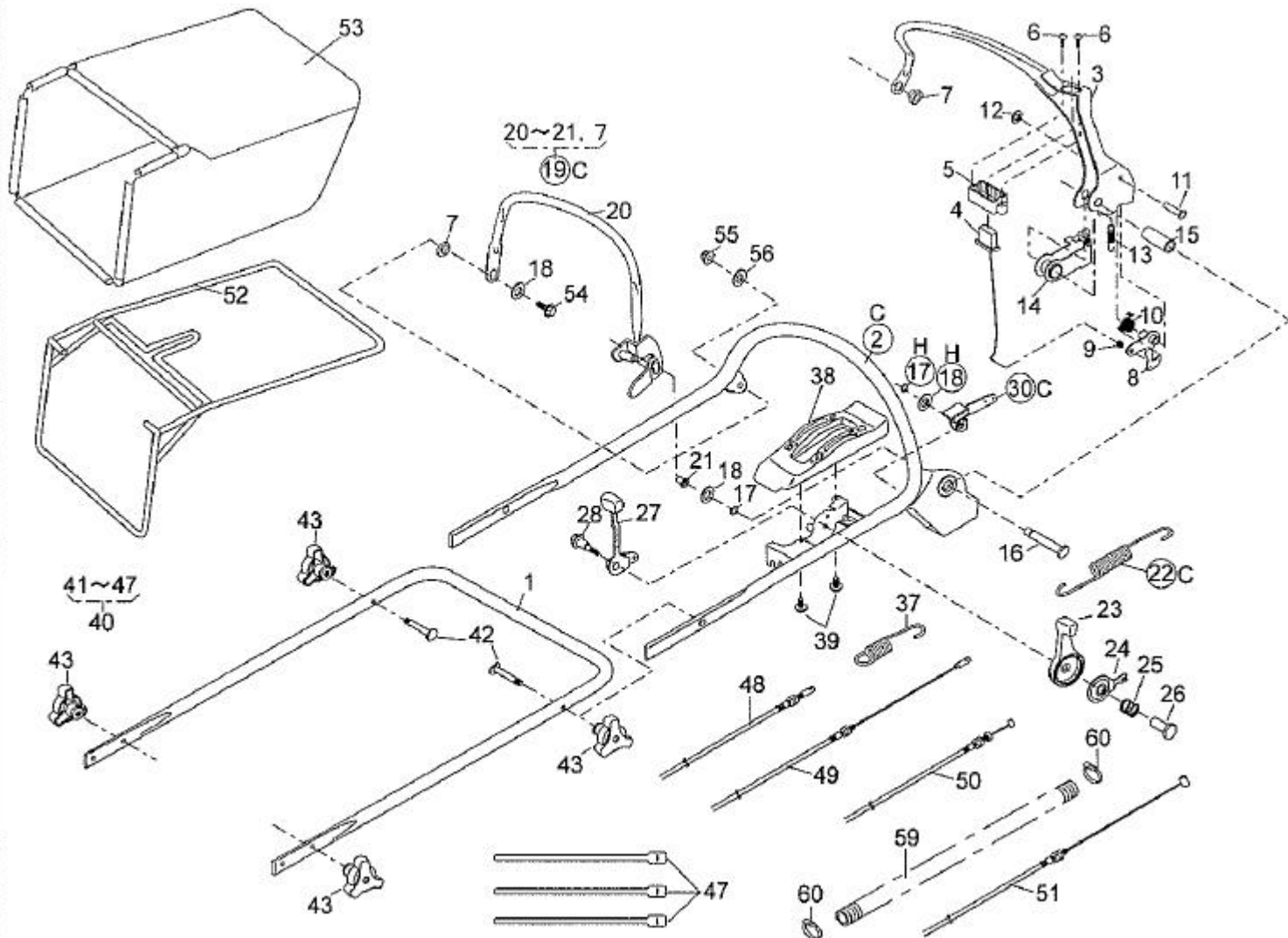
2/2



46					
47	W21TS01025	WIRE BAND	ATTACHE FIL	3	
48	W21TS00165	CONTROL CABLE	CABLE DE CONTROL	1	
49	W21TS00167	CONTROL CABLE	CABLE DE CONTROL	1	
50	W21TS00164	THROTTLE WIRE(FC180V)	CABLE D'ACCELERATEUR	1	
51	W21TS01033	CONTROL CABLE (BBC)	CABLE FREIN LAME	1	
52	W21TS00014	FRAME C.P.	CHASSIS DE BAC	1	
53	W21TS00073	GRASS BAG C.P.(KUBOTA)	SAC A HERBE	1	
54	W21TS01000	HEXAGONE BOLT	VIS	1	
55					
56					
57					
58					
59	W21TS01007	TUBE (15.6 x 800L)	TUBE	1	
60	W21TS01026	WIRE BAND	ATTACHE FIL	2	

# K17- W721 Phase 2 (12691~) GRASS CATCHER/HANDLE/CABLE SAC A HERBE/GUIDON/CABLES

K17-L  
W721



# K17- W721 Phase 2 (12691~)

## GRASS CATCHER/HANDLE/CABLE

### SAC A HERBE/GUIDON/CABLES

**K17-R**  
W721

1/2

POS N	PART NUMBER REFERENCE	PART NAME	DESCRIPTION	QTY QTE	I.C.	REMARKS REMARQUE
1	W21TS00176	HANDLE	GUIDON INF.	1		
2	W21TS01126	HANDLE	GUIDON SUP.	1		
3	W21TS00080	LEVER C.P. (BBC)	LEVIER COMMANDE	1		
4	W21TS00074	BUTTON	BOUJON	1		
5	W21TS00083	GUIDE	GUIDE	1		
6	W21TS00075	(+)TAPPING SCREW	VIS	2		
7	W21TS00152	BUSH	BAGUE	2		
8	W21TS00136	ARM C.P.	BRAS	1		
9	W21TS00150	BUSH	BAGUE	1		
10	W21TS00123	SPRING	RESSORT	1		
11	W21TS00043	GIB-HEADED PIN	GOUPILLE	1		
12	W21TS00091	PUSH NUT	ECROU	1		
13	W21TS00124	SPRING	RESSORT	1		
14	W21TS00028	LINK	MAILLON	1		
15	W21TS00099	SLEEVE	MANCHON	1		
16	W21TS00110	SHAFT	ARBRE	1		
17	W21TS00158	C-SNAP RING	ANNEAU	1		
18	W21TS00105	PLAIN WASHER	RONDELLE	1		
19	W21TS01129	LEVER ASS'Y	ENS. LEVIER	1		
20		LEVER	LEVIER	1		
21	W21TS00149	BUSH	BAGUE	1		
22	W21TS01127	SPRING	RESSORT	1		
23	W21TS00168	THROTTLE	ACCELERATEUR	1		
24	W21TS00098	THRUST PLATE	PLAQUE BUTEE	1		
25	W21TS00122	SPRING	RESSORT	1		
26	W21TS00050	HEXAGON NUT	ECROU	1		
27	W21TS00017	LEVER	LEVIER	1		
28	W21TS00051	PRE-COAT LOCK BOLT	VIS BLOCAGE	1		
29						
30	W21TS01130	ARM C.P.	BRAS DE LEVIER	1		
31						
32						
33						
34						
35						
36						
37	W21TS00118	SPRING	RESSORT	1		
38	W21TS00146	COVER ASS'Y	COUVERCLE	1		
39	W21TS00076	(+)TAPPING SCREW	VIS	2		
40	W21TS00147	BOLT SET	KIT VISSERIE	1		
41						
42	W21TS00049	HEXAGON BOLT	VIS	2		
43	W21TS00272	KNOB	MOLETTE	4		
44						
45						

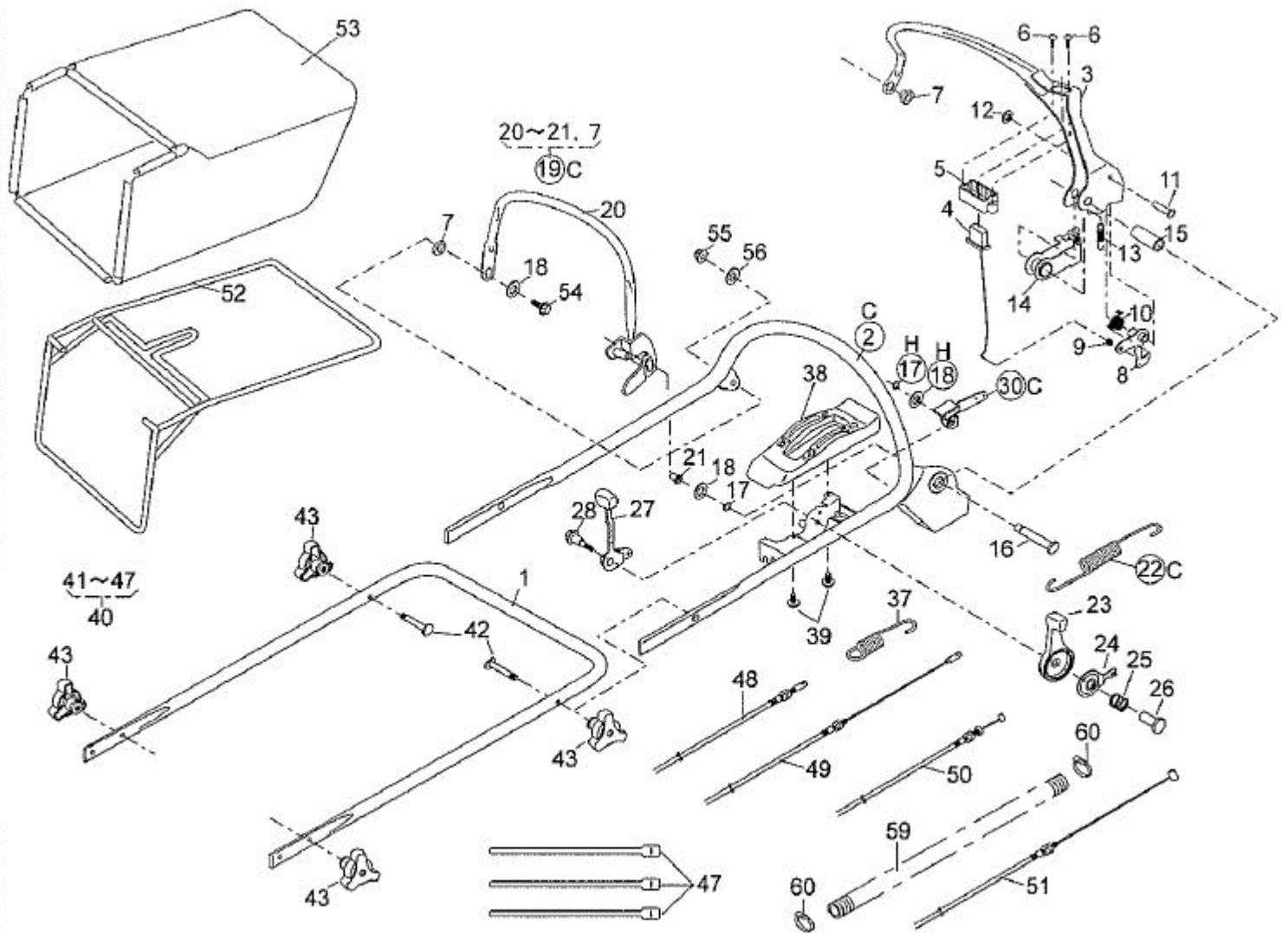
# K17- W721 Phase 2 (12691~)

## GRASS ATCHER/HANDLE/CABLE

## SAC A HERBE/GUIDON/CABLES

2/2

**K17-L**  
W721



46					
47	W21TS01025	WIRE BAND	ATTACHE FIL	3	
48	W21TS00165	CONTROL CABLE	CABLE DE CONTROL	1	
49	W21TS00167	CONTROL CABLE	CABLE DE CONTROL	1	
50	W21TS00164	THROTTLE WIRE(FC180V)	CABLE D'ACCELERATEUR	1	
51	W21TS01033	CONTROL CABLE (BBC)	CABLE FREIN LAME	1	
52	W21TS00014	FRAME C.P.	CHASSIS DE BAC	1	
53	W21TS00073	GRASS BAG C.P.(KUBOTA)	SAC A HERBE	1	
54	W21TS01000	HEXAGONE BOLT	VIS	1	
55					
56					
57					
58					
59	W21TS01007	TUBE (15.6 x 800L)	TUBE	1	
60	W21TS01026	WIRE BAND	ATTACHE FIL	2	

---

# W 721 PRO

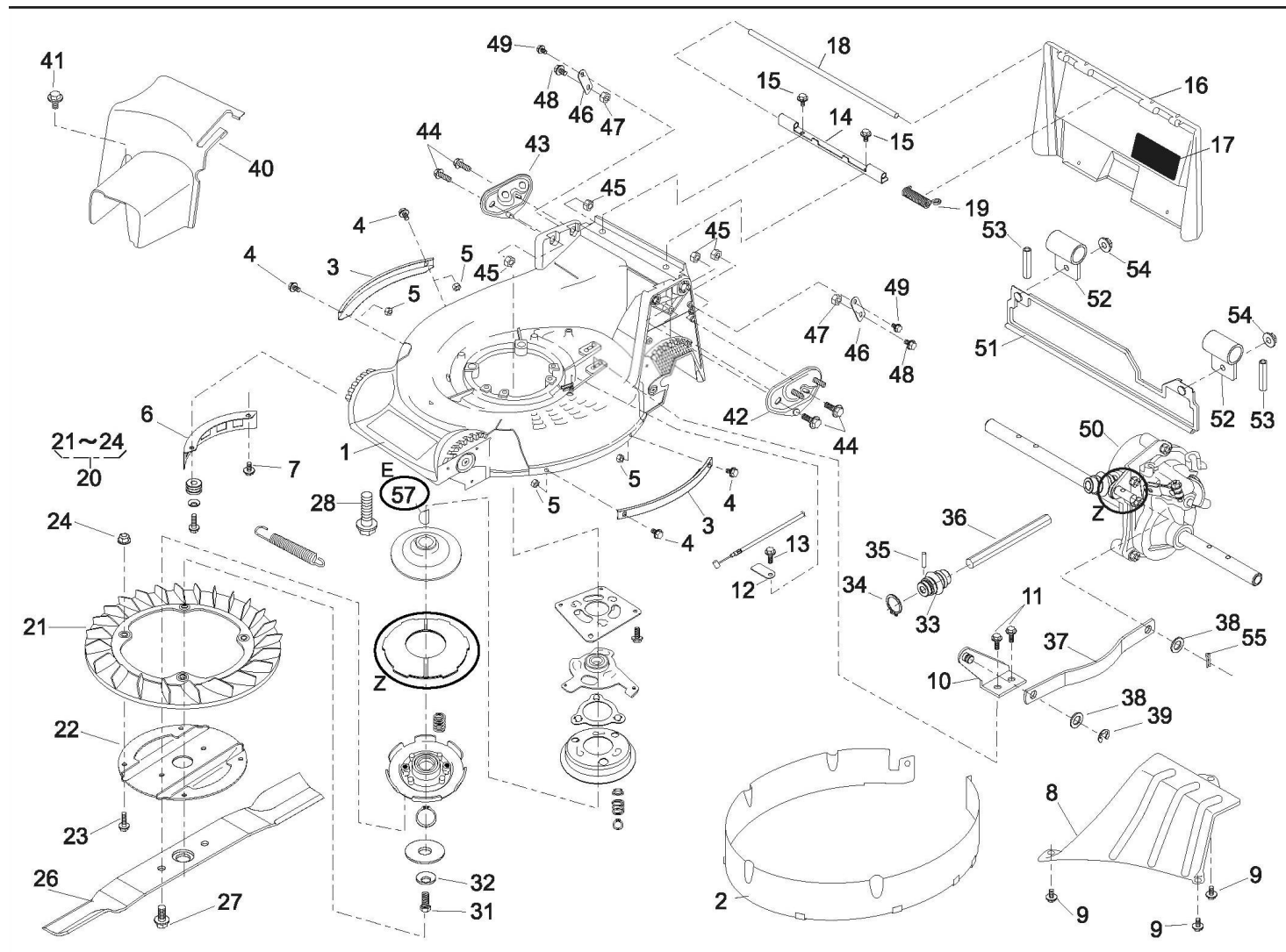
---

• CARTER DE LAME	K18
• ROUE	K19
• EMBRAYAGE DE LAME	K20
• TRANSMISSION	K21
• SAC A HERBE / GUIDON / CABLES	K22
<hr/>	
• CUTTER HOUSING	K18
• WHEELS	K19
• CLUTCH BLADE ASSY	K20
• HST	K21
• GRASS CATCHER BAG / HANDLE / CABLES	K22

---

# K18- W721 PRO Phase 1 (~21620) CUTTER HOUSING / BLADE CARTER DE LAME / LAME

**K18-L**  
W721 PRO



NOT SHOWN ON DRAWING // NE FIGURE PAS SUR LE SCHEMA

ITEM 30 >>>>>> W21TS00922 BRAKE ASSY (B.B.C) // EMBRAYAGE COMPLET

# K18- W721 PRO Phase 1 (~21620)

## CUTTER HOUSING / BLADE

### CARTER DE LAME / LAME

**K18-R**  
W721 PRO

1/2

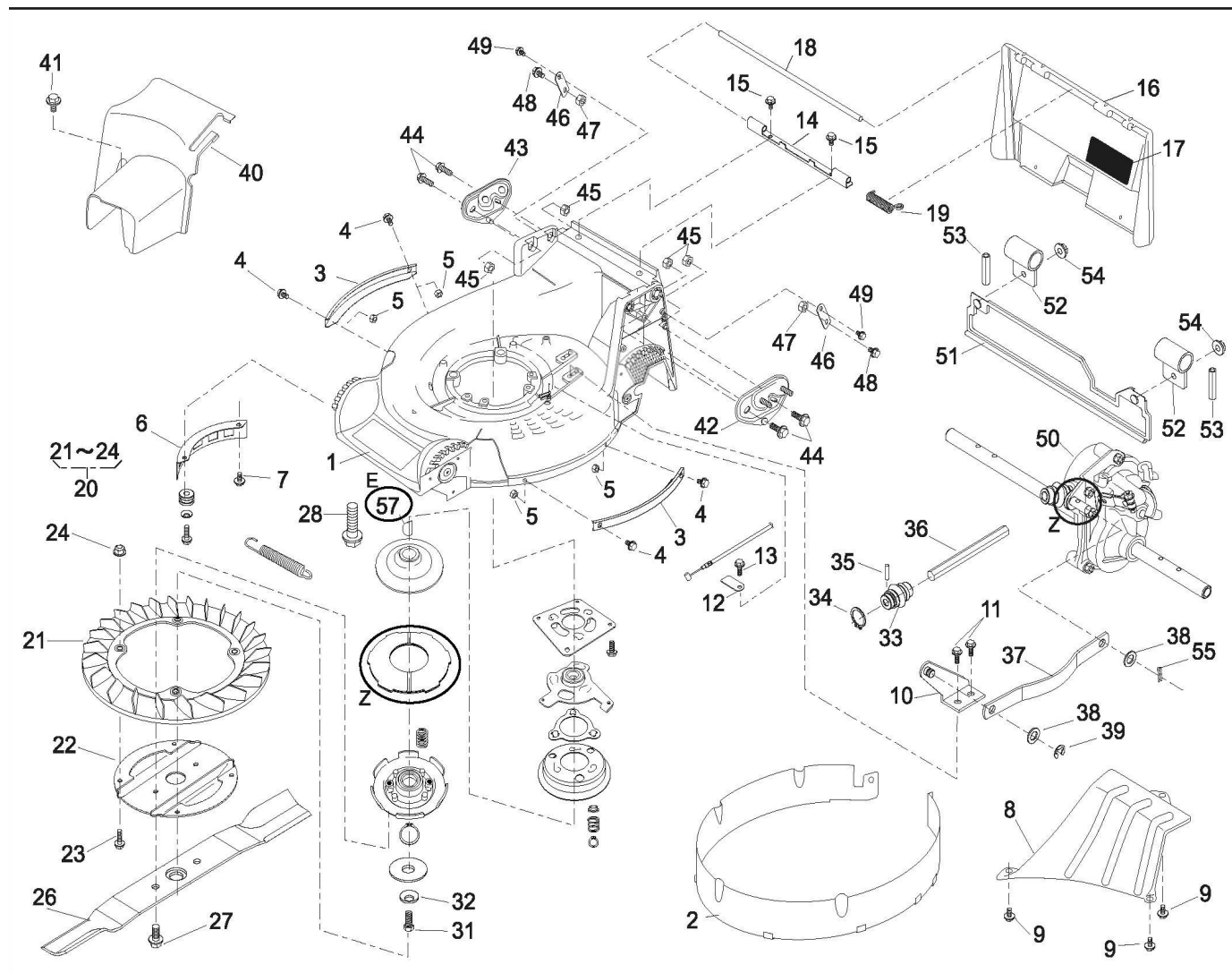
POS N	PART NUMBER REFERENCE	PART NAME	DESCRIPTION	QTY QTE	I.C.	REMARKS REMARQUE
1	W21TS00081	HOUSING	CARTER DE TONDEUSE	1		
2	W21TS00202	GUARD	PROTECTION	1		
3	W21TS00082	PROTECTOR	PROTECTION	2		
4	W21TS00058	FLANGE BOLT	VIS	4		
5	W21TS00086	HEXAGON NUT	ECROU	4		
6	W21TS00067	COVER	COUVERCLE	1		
7	W21TS00061	FLANGE TAPPING BOLT	VIS	1		
8	W21TS00068	COVER	COUVERCLE	1		
9	W21TS00061	FLANGE TAPPING BOLT	VIS	3		
10	W21TS00011	STAY C.P.	SUPPORT	1		
11	W21TS00061	FLANGE TAPPING BOLT	VIS	2		
12	W21TS00030	STAY	SUPPORT	1		
13	W21TS00061	FLANGE TAPPING BOLT	VIS	1		
14	W21TS00029	STAY	SUPPORT	1		
15	W21TS00061	FLANGE TAPPING BOLT	VIS	2		
16	W21TS00070	GUARD	COUVERCLE D'EJECTION	1		
17	W21TS00072	RUBBER SHEET	CAOUTCHOUC	1		
18	W21TS00109	SHAFT	ARBRE	1		
19	W21TS00817	SPRING	RESSORT	1		
20	W21TS00139	FAN ASSY	ENS. VENTILATEUR	1		
21	W21TS00121	FAN	VENTILATEUR	1		
22	W21TS00021	HOLDER	SUPPORT VENTILO.	1		
23	W21TS00052	PRE-COAT LOCK BOLT	VIS FREIN	4		
24	W21TS00092	FLANGE NUT	ECROU	4		
25	W21TS00922	HI-LIFT BLADE	LAME SOUFFLANTE	1		
26	W21TS00169	BLADE	LAME	1		
27	W21TS00060	FLANGE BOLT	VIS	2		
28	W21TS00059	FLANGE BOLT	VIS	4		
29						
30	W21TS00919	BRAKE ASSY	EMBAYAGE + FREIN DE LAME	1		
31	W21TS00046	HEXAGON BOLT	VIS	1		
32	W21TS00115	SPRING WASHER	RONDELLE	1		
33	W21TS00173	UNIVERSAL JOINT	CARDAN	1		
34	W21TS00160	C-SNAP RING	ANNEAU	1		
35	W21TS00145	PARALLEL PIN	GOUPILLE	1		
36	W21TS00111	SHAFT	ARBRE	1		
37	W21TS00204	CONNECTOR	CONNECTEUR	1		
38	W21TS00133	WASHER	RONDELLE	2		
39	W21TS00163	E-SNAP RING	ANNEAU	1		
40	W21TS00069	COVER	COUVERCLE	1		
41	W21TS00062	FLANGE TAPPING BOLT	VIS	1		
42	W21TS00207	HANDLE BRACKET(L)	SUPPORT GUIDON GA	1		
43	W21TS00208	HANDLE BRACKET(R)	SUPPORT GUIDON DR	1		
44	W21TS00045	HEXAGON BOLT	VIS HEX	4		
45	W21TS00087	HEXAGON NUT	ECROU HEX	4		
46	W21TS00209	STAY	SUPPORT	2		



# K18- W721 PRO Phase 1 (~21620) CUTTER HOUSING / BLADE CARTER DE LAME / LAME

**K18-L**  
W721 PRO

2/2

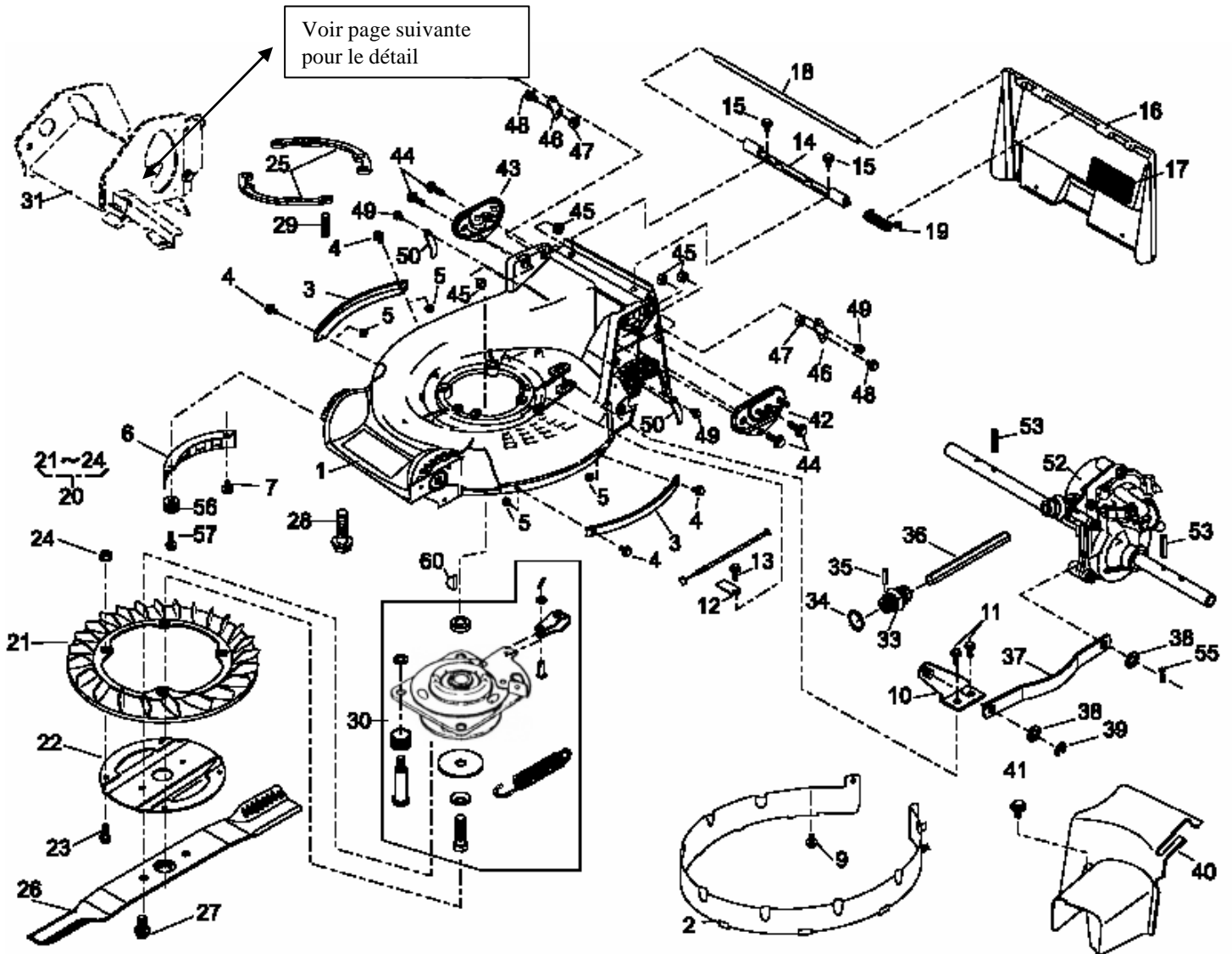


47	W21TS00087	HEXAGON NUT	ECROU	2		
48	W21TS00044	HEXAGON BOLT	VIS	2		
49	W21TS00061	FLANGE TAPPING BOLT	VIS	2		
50	W21TS00210	GEAR CASE ASSY	ENS. TRANSMISSION	1		
51	W21TS00211	SAFETY GUARD	PLAQUE DE SECURITE	1		
52	W21TS00013	HANGER BAND	SUPPORT DE PLAQUE	2		
53	W21TS00212	SPRING PIN	AXE DE RESSORT	2		
54	W21TS00198	FLANGE NYLON NUT	ECROU	2		
55	W21TS00213	SNAP PIN	AXE	1		
56	W21ES00000	ENGINE: FC180V-C53	MOTEUR CPLT FC180V-C53	1		
57	W21ES00040	KEY	CLAVETTE	1		

# K18- W721 PRO Phase 2 (21621~21830) CUTTER HOUSING / BLADE CARTER DE LAME / LAME

K18-L  
W721 PRO

Voir page suivante  
pour le détail



# K18- W721 PRO Phase 2 (21621~21830)

## CUTTER HOUSING / BLADE

### CARTER DE LAME / LAME

**K18-R**  
W721 PRO

1/2

POS N	PART NUMBER REFERENCE	PART NAME	DESCRIPTION	QTY QTE	I.C.	REMARKS REMARQUE
1	W21TS01011	HOUSING	CARTER DE TONDEUSE	1		
2	W21TS01002	GUARD	PROTECTION	1		
3	W21TS00082	PROTECTOR	PROTECTION	2		
4	W21TS00058	FLANGE BOLT	VIS	4		
5	W21TS00086	HEXAGON NUT	ECROU	4		
6	W21TS00067	COVER	COUVERCLE	1		
7	W21TS00061	FLANGE TAPPING BOLT	VIS	1		
9	W21TS00061	FLANGE TAPPING BOLT	VIS	3		
10	W21TS00011	STAY C.P.	SUPPORT	1		
11	W21TS00061	FLANGE TAPPING BOLT	VIS	2		
12	W21TS00030	STAY	SUPPORT	1		
13	W21TS00061	FLANGE TAPPING BOLT	VIS	1		
14	W21TS00029	STAY	SUPPORT	1		
15	W21TS00061	FLANGE TAPPING BOLT	VIS	2		
16	W21TS00070	GUARD	COUVERCLE D'EJECTION	1		
17	W21TS00072	RUBBER SHEET	CAOUTCHOUC	1		
18	W21TS00109	SHAFT	ARBRE	1		
19	W21TS00817	SPRING	RESSORT	1		
20	W21TS00139	FAN ASSY	ENS. VENTILATEUR	1		
21	W21TS00121	FAN	VENTILATEUR	1		
22	W21TS00021	HOLDER	SUPPORT VENTILO.	1		
23	W21TS00052	PRE-COAT LOCK BOLT	VIS FREIN	4		
24	W21TS00092	FLANGE NUT	ECROU	4		
25	W21TS01016	SPACER	ENTRETOISE	2		
26	W21TS00988	BLADE HI-LIFT	LAME SOUFFLANTE AJOUREE	1		
27	W21TS00060	FLANGE BOLT	VIS	2		
28	W21TS01001	FLANGE BOLT	VIS	4		
29	W21TS00997	STUD	GOUJON			
30	W21TS01030	BRAKE ASSY (BBC)	EMBAYAGE + FREIN DE LAME	1		
31	???	COVER (see next page)	COUVERCLE (cf detail page suivante)	1		
32						
33	W21TS00173	UNIVERSAL JOINT	CARDAN	1		
34	W21TS00160	C-SNAP RING	ANNEAU	1		
35	W21TS00145	PARALLEL PIN	GOUPILLE	1		
36	W21TS00111	SHAFT	ARBRE	1		
37	W21TS00204	CONNECTOR	CONNECTEUR	1		
38	W21TS00133	WASHER	RONDELLE	2		
39	W21TS00163	E-SNAP RING	ANNEAU	1		
40	W21TS00069	COVER	COUVERCLE	1		
41	W21TS00062	FLANGE TAPPING BOLT	VIS	1		
42	W21TS00207	HANDLE BRACKET(L)	SUPPORT GUIDON GA	1		
43	W21TS00208	HANDLE BRACKET(R)	SUPPORT GUIDON DR	1		
44	W21TS00045	HEXAGON BOLT	VIS HEX	4		
45	W21TS00087	HEXAGON NUT	ECROU HEX	4		
46	W21TS00209	STAY	SUPPORT	2		

# K18- W721 PRO Phase 2 (21621~21830)

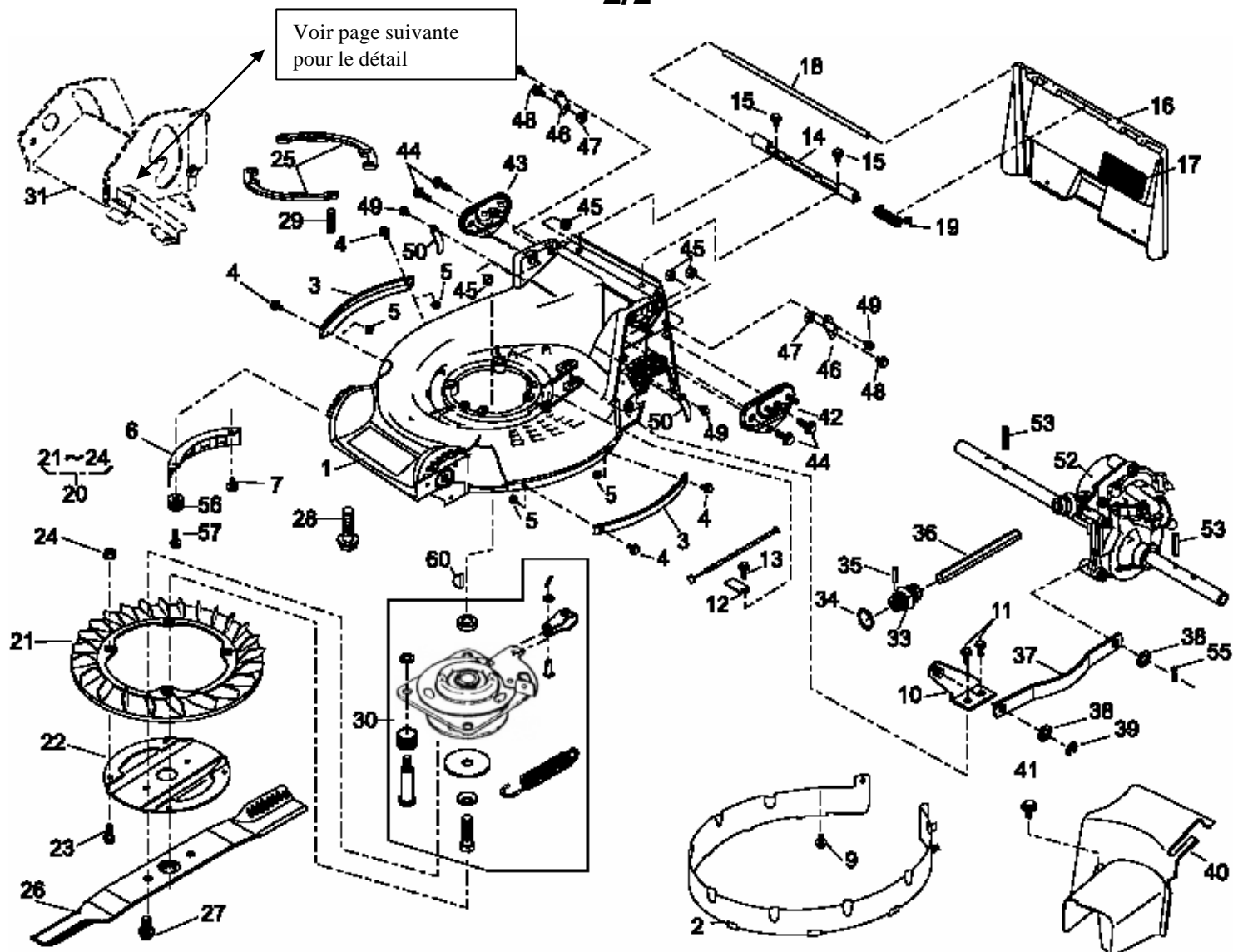
## CUTTER HOUSING / BLADE

## CARTER DE LAME / LAME

**K18-L**  
W721 PRO

2/2

Voir page suivante  
pour le détail

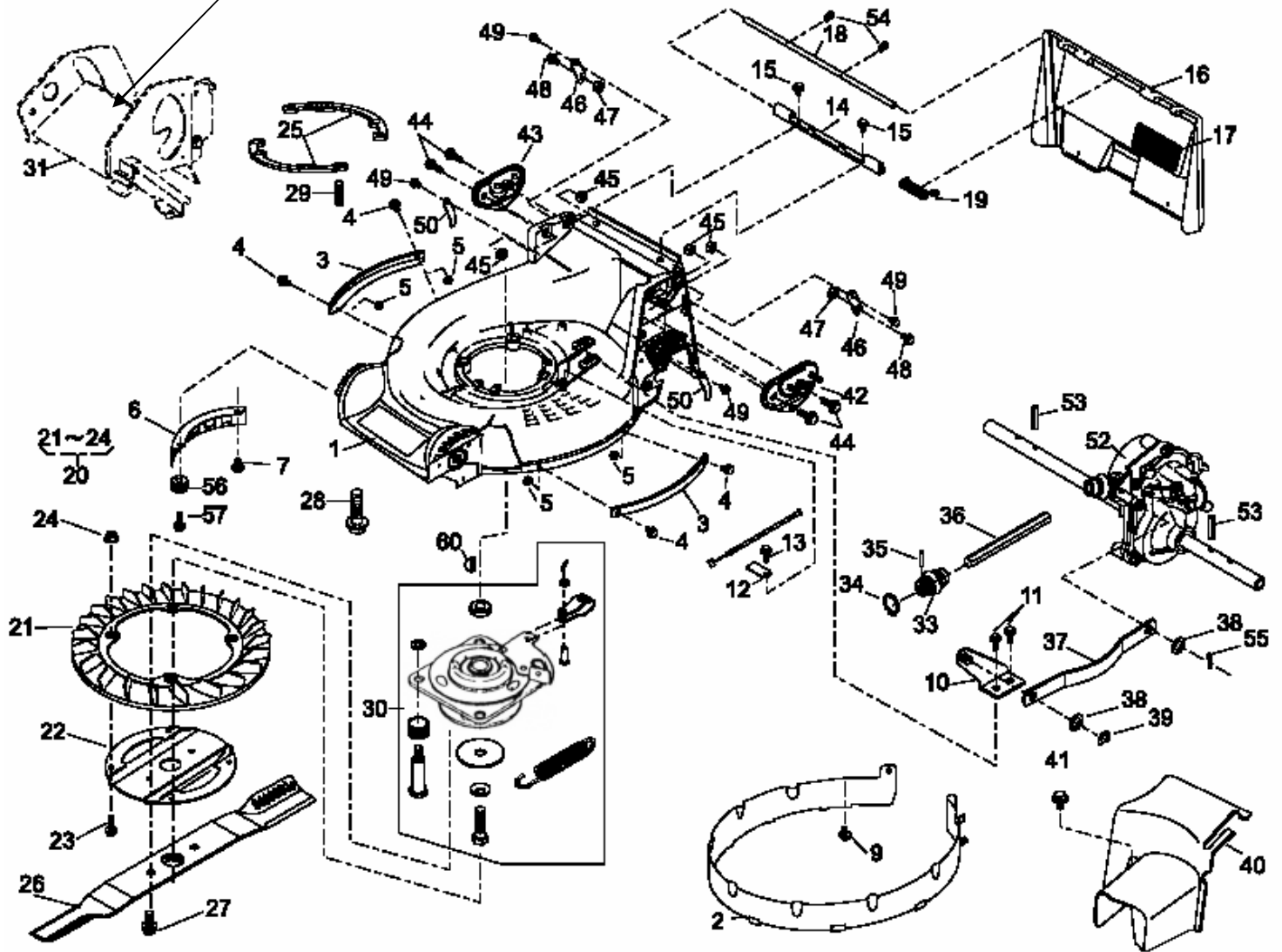


47	W21TS00087	HEXAGON NUT	ECROU	2		
48	W21TS00044	HEXAGON BOLT	VIS	2		
49	W21TS00061	FLANGE TAPPING BOLT	VIS	2		
50	W21TS00229	STAY	SUPPORT	1		
51						
52	W21TS00135	GEAR CASE ASSY	ENS. TRANSMISSION	1		
53	W21TS00212	SPRING PIN	AXE DE RESSORT	2		
54						
55	W21TS00213	SNAP PIN	AXE			
56	W21TS00016	COLLAR	COLLIER	1		
57	W21TS00063	FLANGE TAPPING BOLT	VIS			
58						
59	W21ES00000	ENGINE FC180V-C53	MOTEUR CPLT FC180V-C53	1		
60	W21ES00040	KEY	CLAVETTE			

# K18- W721 PRO Phase 2 (21831~) CUTTER HOUSING / BLADE CARTER DE LAME / LAME

K18-L  
W721 PRO

Voir page suivante  
pour le détail



# K18- W721 PRO Phase 2 (21831~) CUTTER HOUSING / BLADE CARTER DE LAME / LAME

**K18-R**  
W721 PRO

1/2

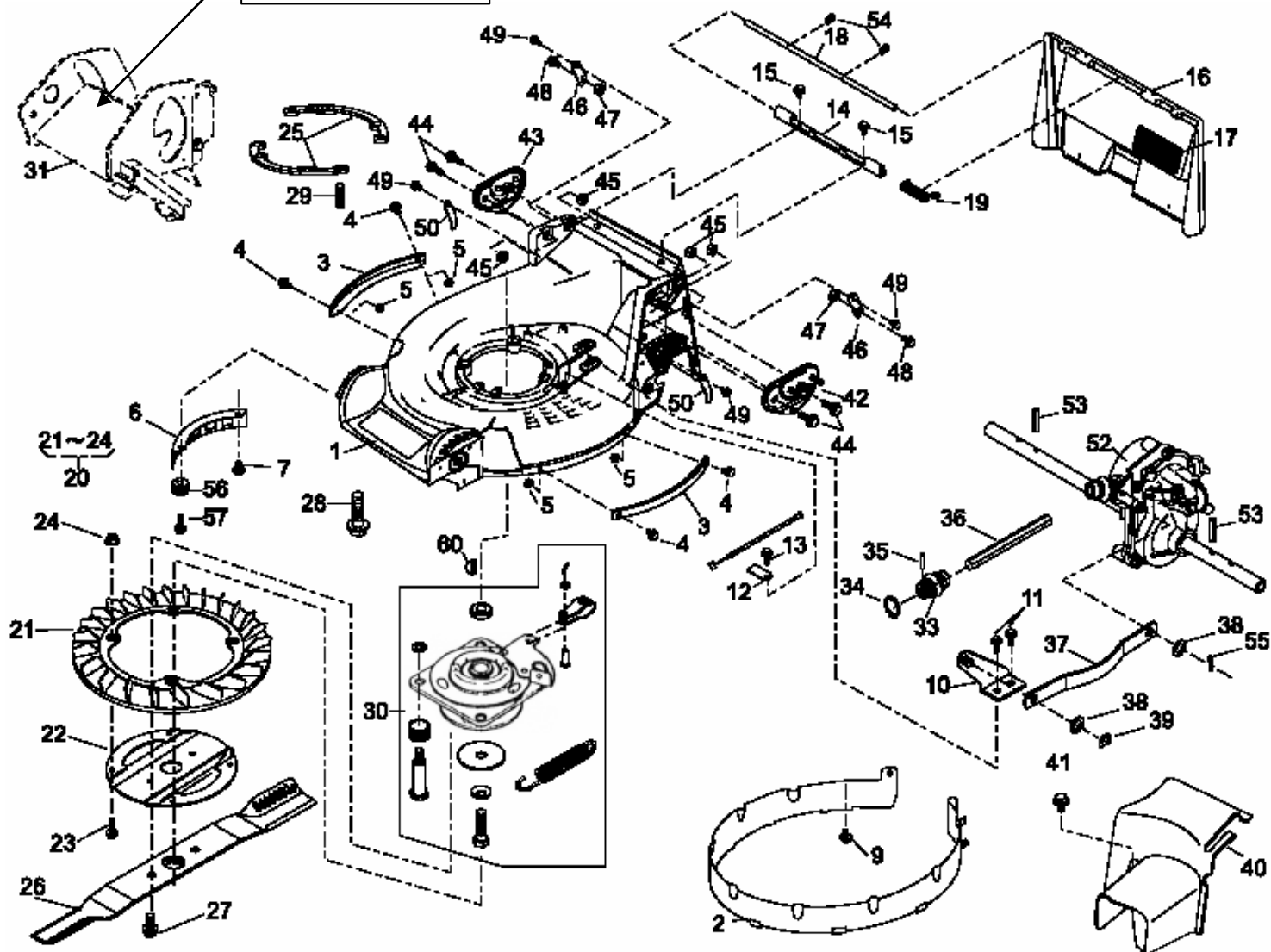
POS N	PART NUMBER REFERENCE	PART NAME	DESCRIPTION	QTY QTE	I.C.	REMARKS REMARQUE
1	W21TS01011	HOUSING	CARTER DE TONDEUSE	1		
2	W21TS01002	GUARD	PROTECTION	1		
3	W21TS00082	PROTECTOR	PROTECTION	2		
4	W21TS00058	FLANGE BOLT	VIS	4		
5	W21TS00086	HEXAGON NUT	ECROU	4		
6	W21TS00067	COVER	COUVERCLE	1		
7	W21TS00061	FLANGE TAPPING BOLT	VIS	1		
9	W21TS00061	FLANGE TAPPING BOLT	VIS	3		
10	W21TS00011	STAY C.P.	SUPPORT	1		
11	W21TS00061	FLANGE TAPPING BOLT	VIS	2		
12	W21TS00030	STAY	SUPPORT	1		
13	W21TS00061	FLANGE TAPPING BOLT	VIS	1		
14	W21TS00029	STAY	SUPPORT	1		
15	W21TS00061	FLANGE TAPPING BOLT	VIS	2		
16	W21TS00070	GUARD	COUVERCLE D'EJECTION	1		
17	W21TS00072	RUBBER SHEET	CAOUTCHOUC	1		
18	W21TS01020	SHAFT	ARBRE	1		
19	W21TS00817	SPRING	RESSORT	1		
20	W21TS00139	FAN ASSY	ENS. VENTILATEUR	1		
21	W21TS00121	FAN	VENTILATEUR	1		
22	W21TS00021	HOLDER	SUPPORT VENTILO.	1		
23	W21TS00052	PRE-COAT LOCK BOLT	VIS FREIN	4		
24	W21TS00092	FLANGE NUT	ECROU	4		
25	W21TS01016	SPACER	ENTRETOISE	2		
26	W21TS00988	BLADE HI-LIFT	LAME SOUFFLANTE AJOUREE	1		
27	W21TS00060	FLANGE BOLT	VIS	2		
28	W21TS01001	FLANGE BOLT	VIS	4		
29	W21TS00997	STUD	GOUJON			
30	W21TS01030	BRAKE ASSY (BBC)	EMBAYAGE + FREIN DE LAME	1		
31	???	COVER (see detail on next page)	COUVERCLE (cf detail page suivante)	1		
32						
33	W21TS00173	UNIVERSAL JOINT	CARDAN	1		
34	W21TS00160	C-SNAP RING	ANNEAU	1		
35	W21TS00145	PARALLEL PIN	GOUPILLE	1		
36	W21TS00111	SHAFT	ARBRE	1		
37	W21TS00204	CONNECTOR	CONNECTEUR	1		
38	W21TS00133	WASHER	RONDELLE	2		
39	W21TS00163	E-SNAP RING	ANNEAU	1		
40	W21TS00069	COVER	COUVERCLE	1		
41	W21TS00062	FLANGE TAPPING BOLT	VIS	1		
42	W21TS00207	HANDLE BRACKET(L)	SUPPORT GUIDON GA	1		
43	W21TS00208	HANDLE BRACKET(R)	SUPPORT GUIDON DR	1		
44	W21TS00045	HEXAGON BOLT	VIS HEX	4		
45	W21TS00087	HEXAGON NUT	ECROU HEX	4		
46	W21TS00209	STAY	SUPPORT	2		

# K18- W721 PRO Phase 2 (21831~) CUTTER HOUSING / BLADE CARTER DE LAME / LAME

**K18-L**  
W721 PRO

Voir page suivante  
pour le détail

2/2

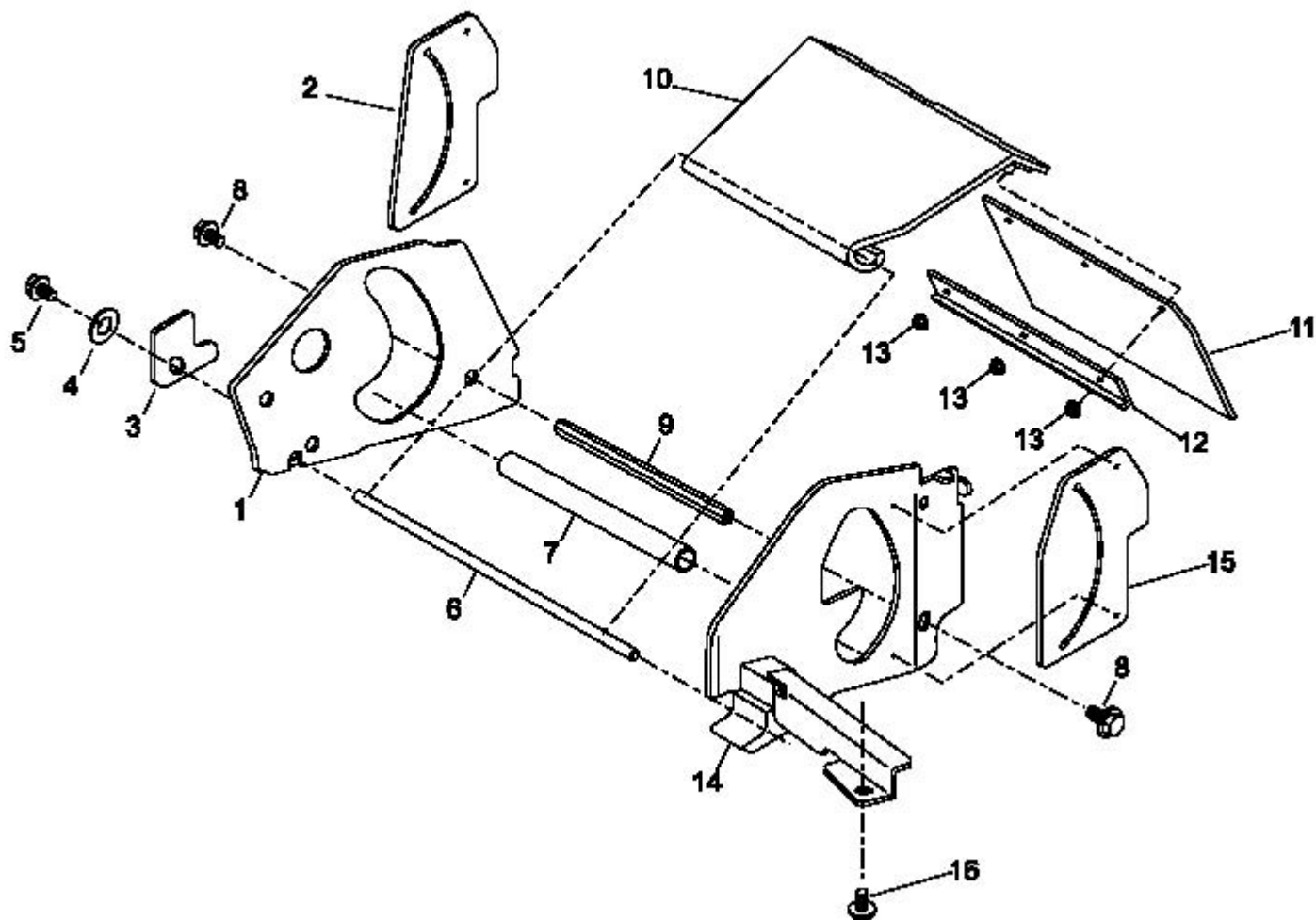


47	W21TS00087	HEXAGON NUT	ECROU	2		
48	W21TS00044	HEXAGON BOLT	VIS	2		
49	W21TS00061	FLANGE TAPPING BOLT	VIS	2		
50	W21TS00229	STAY	SUPPORT	1		
51						
52	W21TS00135	GEAR CASE ASSY	ENS. TRANSMISSION	1		
53	W21TS00212	SPRING PIN	AXE DE RESSORT	2		
54	W21TS01032	E-SNAP RING	ANNEAU	2		
55	W21TS00213	SNAP PIN	AXE			
56	W21TS00016	COLLAR	COLLIER	1		
57	W21TS00063	FLANGE TAPPING BOLT	VIS			
58						
59	W21ES00000	ENGINE FC180V-C53	MOTEUR CPLT FC180V-C53	1		
60	W21ES00040	KEY	CLAVETTE			

# K18- W721 PRO Phase 2 CUTTER HOUSING / BLADE CARTER DE LAME / LAME

K18-L  
W721 PRO

## -----COVER / COUVERCLE (item n°31)-----

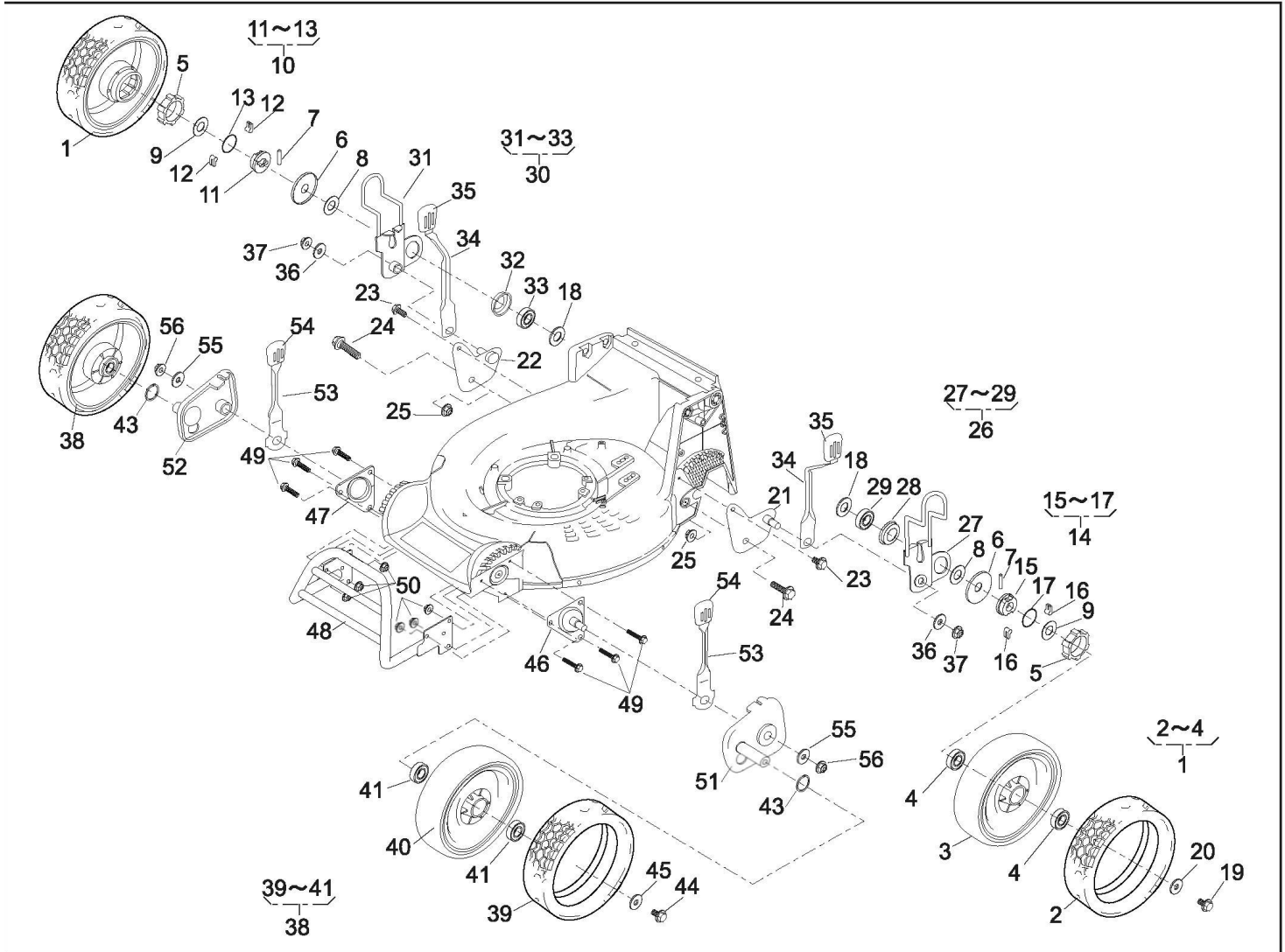


POS N	PART NUMBER REFERENCE	PART NAME	DESCRIPTION	QTY QTE	I.C.	REMARKS REMARQUE
1	W21TS00990	STAY C.P	SUPPORT		1	
2	W21TS01004	RUBBER SHEET	CAHOUTCHOUC		1	
3	W21TS00996	STAY	SUPPORT		1	
4	W21TS00105	PLAIN WASHER	RONDELLE		1	
5	W21TS01008	SOCKET SCREW FLANGE	VIS		1	
6	W21TS01018	SHAFT	ARBRE		1	
7	W21TS00993	COLLAR	COLLIER		1	
8	W21TS00044	HEXAGON BOLT	ECROU HEX.		2	
9	W21TS01019	SHAFT	ARBRE		1	
10	W21TS01012	COVER C.P	COUVERCLE		1	
11	W21TS01003	RUBBER SHEET	CAHOUTCHOUC		1	
12	W21TS00992	FIXING PLATE	CONNECTEUR		1	
13	W21TS01013	FLANGE NYLON NUT	ECROU		3	
14	W21TS00991	STAY C.P	SUPPORT		1	
15	W21TS01005	RUBBER SHEET	CAHOUTCHOUC		1	
16	W21TS00061	FLANGE TAPPING BOLT	VIS		1	



# K19- W721 PRO Phase 1 WHEELS ROUES

K19-L  
W721 PRO



# K19- W721 PRO Phase 1

## WHEELS

## ROUES

K19-R  
W721 PRO

1/2

POS N	PART NUMBER REFERENCE	PART NAME	DESCRIPTION	QTY QTE	I.C.	REMARKS REMARQUE
1	W21TS00815	WHEEL ASSY (9.6"A.W.)	ENS.ROUE ARR.	2		
2	W21TS00177	TIRE	PNEU	2		
3	W21TS01162	WHEEL	JANTE	2		
4	W21TS00178	BEARING	BOUCHON	4		
5	W21TS00179	STOPPER	BUTEE	2		
6	W21TS00097	THRUST PLATE	RONDELLE	2		
7	W21TS00039	PIN	GOUPILLE	2		
8	W21TS00180	WASHER	RONDELLE	2		
9	W21TS00131	WASHER	RONDELLE	2		
10	W21TS00142	RATCHET ASSY(R)	ENS.RATCHET DR.	1		
11	W21TS00020	RATCHET	CLIQUET DE ROUE	1		
12	W21TS00041	PIN	AXE	2		
13	W21TS00120	SPRING	RESSORT	1		
14	W21TS00143	RATCHET ASSY(L)	ENS.RATCHET GA.	1		
15	W21TS00020	RATCHET	CLIQUET DE ROUE	1		
16	W21TS00041	PIN	AXE	2		
17	W21TS00120	SPRING	RESSORT	1		
18	W21TS00181	WASHER	RONDELLE	2		
19	W21TS00044	HEXAGON BOLT	VIS	2		
20	W21TS00130	WASHER	RONDELLE	2		
21	W21TS00009	STAY C.P.(RL)	SUPPORT ARR. GA	1		
22	W21TS00010	STAY C.P.(RR)	SUPPORT ARR. DR	1		
23	W21TS00061	FLANGE TAPPING BOLT	VIS	2		
24	W21TS00045	HEXAGON BOLT	VIS	2		
25	W21TS00088	FLANGE NYLON NUT	ECROU	2		
26	W21TS00816	ADJUSTER ASSY(L)	ENS. REGLAGE GA	1		
27	W21TS00185	ADJUSTER(RL)	EXCENTRIQUE ARR. GA	1		
28	W21TS00186	HOLDER	SUPPORT	1		
29	W21TS00187	BEARING	ROULEMENT	1		
30	W21TS00188	ADJUSTER ASSY(R)	ENS. REGLAGE DR	1		
31	W21TS00189	ADJUSTER(RR)	EXCENTRIQUE ARR. DR	1		
32	W21TS00186	HOLDER	ROULEMENT	1		
33	W21TS00187	BEARING	ROULEMENT	1		
34	W21TS00036	ADJUST LEVER	LEVIER REGLAGE	2		
35	W21TS00066	KNOB	POMMEAU DE LEVIER	2		
36	W21TS00105	PLAIN WASHER	RONDELLE	2		
37	W21TS00088	FLANGE NYLON NUT	ECROU	2		
38	W21TS00191	WHEEL ASSY(9.6"A.W. )	ENS. ROUE AVANT	2		
39	W21TS00177	TIRE	PNEU	2		
40	W21TS01161	WHEEL	JANTE	2		
41	W21TS00178	BEARING	ROULEMENT	4		
42			BOUCHON			
43	W21TS00193	RING	RONDELLE	2		
44	W21TS00044	HEXAGON BOLT	BOULON	2		
45	W21TS00130	WASH ER	RONDELLE	2		
46	W21TS00194	STAY C.P.(FL)	SUPPORT AVT GA	1		

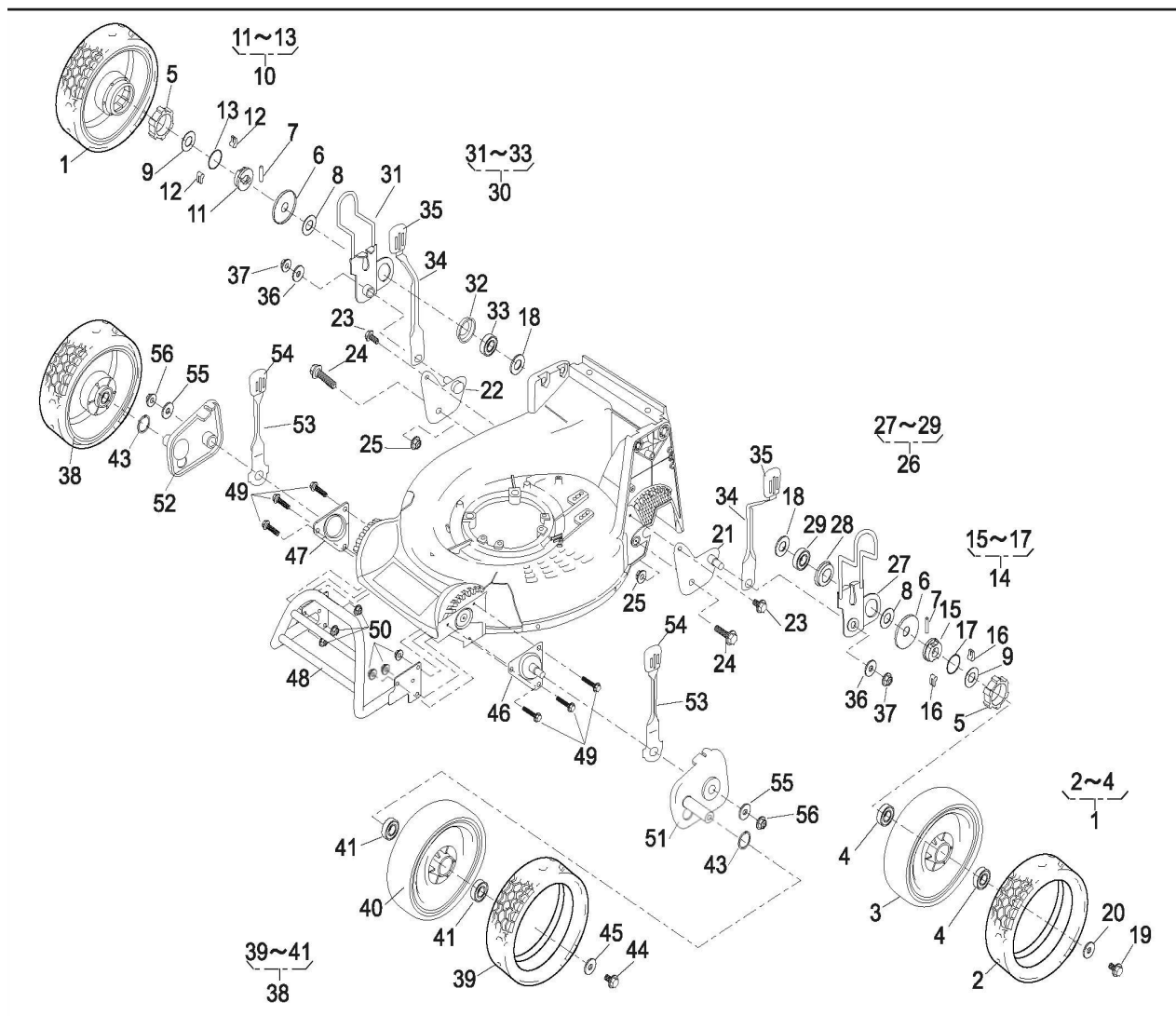
# K19- W721 PRO Phase 1

## WHEELS

## ROUES

K19-L  
W721 PRO

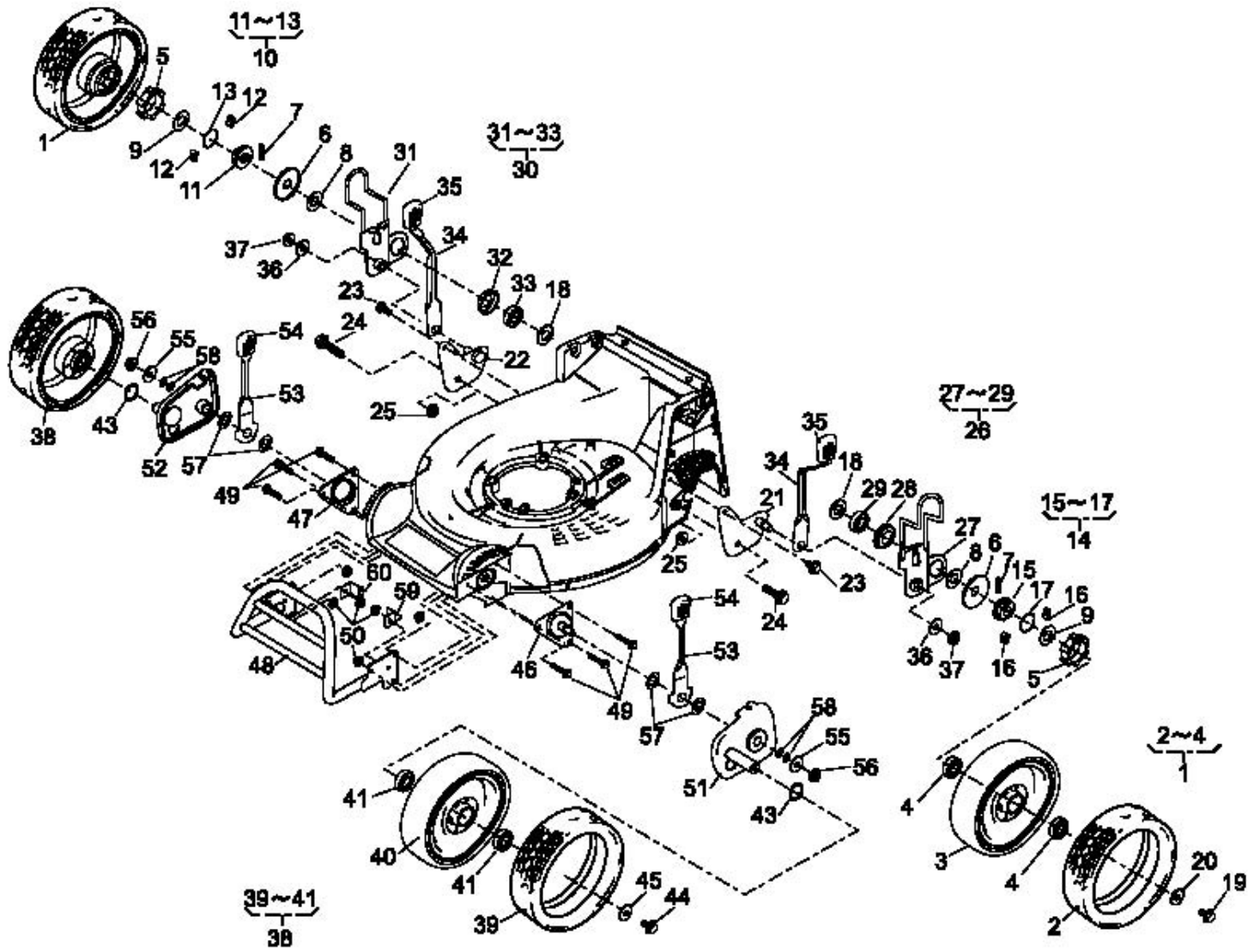
2/2



47	W21TS00195	STAY C.P.(FR)	SUPPORT AVT DR	1		
48	W21TS00196	BUMPER	PARE CHOCS	1		
49	W21TS00197	FLANGE BOLT	VIS	6		
50	W21TS00198	FLANGE NYLON NUT	ECROU	6		
51	W21TS00199	ADJUSTER(FL)	REGLAGE EXCENT.AVT GA	1		
52	W21TS00200	ADJUSTER(FR)	REGLAGE EXCENT.AVT DR	1		
53	W21TS00201	ADJUST LEVER	LEVIER DE REGLAGE	2		
54	W21TS00066	KNOB	POMMEAU DE LEVIER	2		
55	W21TS00105	PLAIN WASHER	VIS	2		
56	W21TS00088	FLANGE NYLON NUT	ECROU	2		

# K19- W721 PRO Phase 2 WHEELS ROUES

K19-L  
W721 PRO



# K19- W721 PRO Phase 2

## WHEELS

## ROUES

K19-R  
W721 PRO

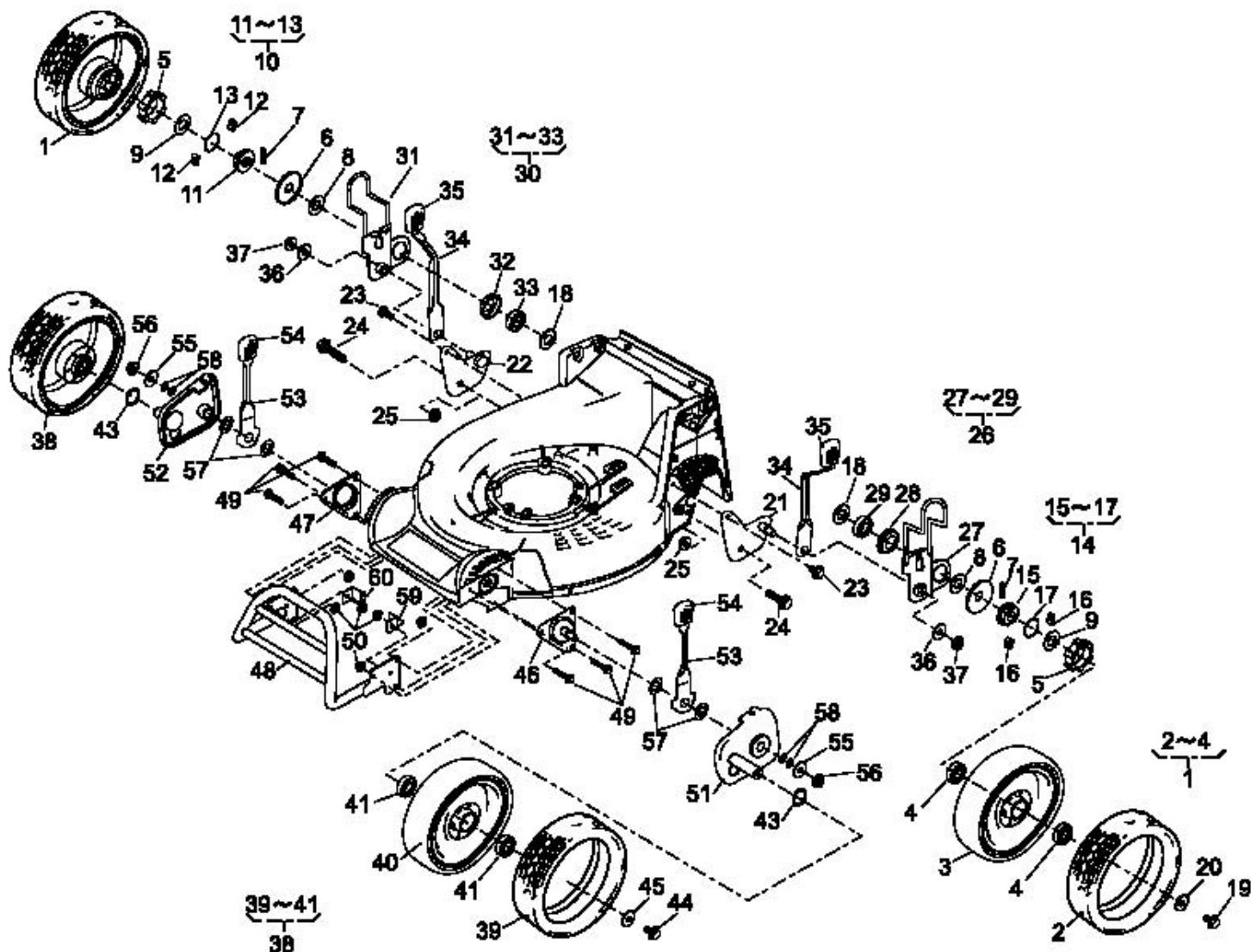
1/2

POS N	PART NUMBER REFERENCE	PART NAME	DESCRIPTION	QTY QTE	I.C.	REMARKS REMARQUE
1	W21TS00815	WHEEL ASSY(9.6"A.W.)	ENS.ROUE ARR.	2		
2	W21TS00177	TIRE	PNEU	2		
3	W21TS01162	WHEEL	JANTE	2		
4	W21TS00178	BEARING	BOUCHON	4		
5	W21TS00179	STOPPER	BUTEE	2		
6	W21TS00097	THRUST PLATE	RONDELLE	2		
7	W21TS00039	PIN	GOUPILLE	2		
8	W21TS00180	WASHER	RONDELLE	2		
9	W21TS00131	WASHER	RONDELLE	2		
10	W21TS00142	RATCHET ASSY(R)	ENS.RATCHET DR.	1		
11	W21TS00020	RATCHET	CLIQUET DE ROUE	1		
12	W21TS00041	PIN	AXE	2		
13	W21TS00120	SPRING	RESSORT	1		
14	W21TS00143	RATCHET ASSY(L)	ENS.RATCHET GA.	1		
15	W21TS00020	HOLDER	SUPPORT	1		
16	W21TS00041	PIN	AXE	2		
17	W21TS00120	SPRING	RESSORT	1		
18	W21TS00181	WASHER	RONDELLE	2		
19	W21TS00044	HEXAGON BOLT	VIS	2		
20	W21TS00130	WASHER	RONDELLE	2		
21	W21TS00009	STAY C.P.(RL)	SUPPORT ARR. GA	1		
22	W21TS00010	STAY C.P.(RR)	SUPPORT ARR. DR	1		
23	W21TS00061	FLANGE TAPPING BOLT	VIS	2		
24	W21TS00045	HEXAGON BOLT	VIS	2		
25	W21TS01014	FLANGE NYLON NUT	ECROU	2		
26	W21TS00816	ADJUSTER ASSY(L)	ENS. REGLAGE GA	1		
27	W21TS00185	ADJUSTER(RL)	EXCENTRIQUE ARR. GA	1		
28	W21TS00186	HOLDER	SUPPORT	1		
29	W21TS00187	BEARING	ROULEMENT	1		
30	W21TS00188	ADJUSTER ASSY(R)	ENS. REGLAGE DR	1		
31	W21TS00189	ADJUSTER(RR)	EXCENTRIQUE ARR. DR	1		
32	W21TS00186	HOLDER	ROULEMENT	1		
33	W21TS00187	BEARING	ROULEMENT	1		
34	W21TS00036	ADJUST LEVER	LEVIER REGLAGE	2		
35	W21TS00066	KNOB	POMMEAU DE LEVIER	2		
36	W21TS00105	PLAIN WASHER	RONDELLE	2		
37	W21TS00088	FLANGE NYLON NUT	ECROU	2		
38	W21TS00191	WHEEL ASSY(9.6"A.W. )	ENS. ROUE AVANT	2		
39	W21TS00177	TIRE	PNEU	2		
40	W21TS01161	WHEEL	JANTE	2		
41	W21TS00178	BEARING	ROULEMENT	4		
42			BOUCHON			
43	W21TS00193	RING	RONDELLE	2		
44	W21TS00044	HEXAGON BOLT	BOULON	2		
45	W21TS00130	WASH ER	RONDELLE	2		
46	W21TS00194	STAY C.P.(FL)	SUPPORT AVT GA	1		
47	W21TS00195	STAY C.P.(FR)	SUPPORT AVT DR	1		

# K19- W721 PRO Phase 2 WHEELS ROUES

K19-L  
W721 PRO

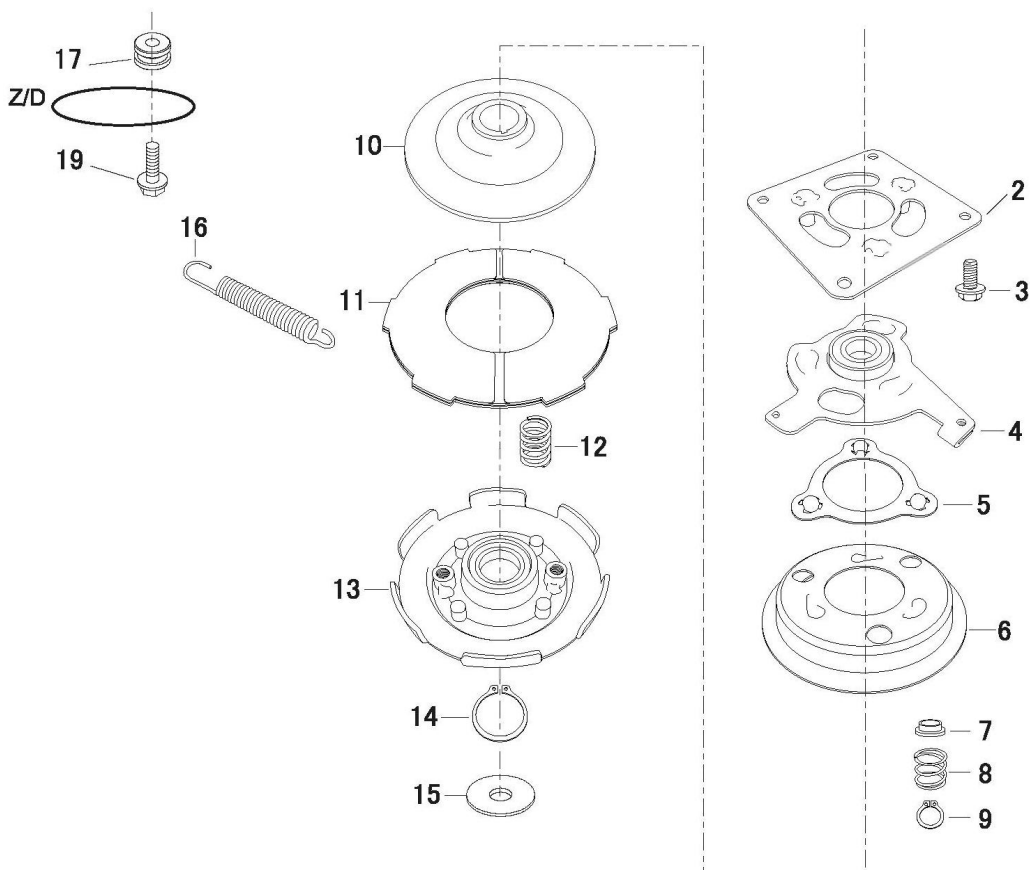
2/2



48	W21TS00196	BUMPER	PARE CHOCS	1		
49	W21TS00197	FLANGE BOLT	VIS	6		
50	W21TS00198	FLANGE NYLON NUT	ECROU	6		
51	W21TS00199	ADJUSTER(FL)	REGLAGE EXCENT.AVT GA	1		
52	W21TS00200	ADJUSTER(FR)	REGLAGE EXCENT.AVT DR	1		
53	W21TS00201	ADJUST LEVER	LEVIER DE REGLAGE	2		
54	W21TS00066	KNOB	POMMEAU DE LEVIER	2		
55	W21TS00105	WASHER	VIS	2		
56	W21TS01014	U-FLANGE NUT	ECROU	2		
57	W21TS01024	SPRING	RESSORT	4		
58		SHIM	CALE	0~4		
59	W21TS00995	STAY (LEFT)	SUPPORT GAUCHE	1		
60	W21TS00994	STAY (RIGHT)	SUPPORT DROIT	1		

# K20- W721 PRO Phase 1 CLUTCH BLADE ASSY EMBAYAGE DE LAME

K20-L  
W721 PRO



**NOT SHOWN ON DRAWING // NE FIGURE PAS SUR LE SCHEMA**

ITEM 1	>>>>>>	W21TS00919	ITEM 2~19	BRAKE ASSY // EMBRAYAGE+FREIN DE LAME
ITEM 18	>>>>>>	W21TS00920	ITEM 10~14	ASSY BRAKE HOLDER // EMBRAYAGE



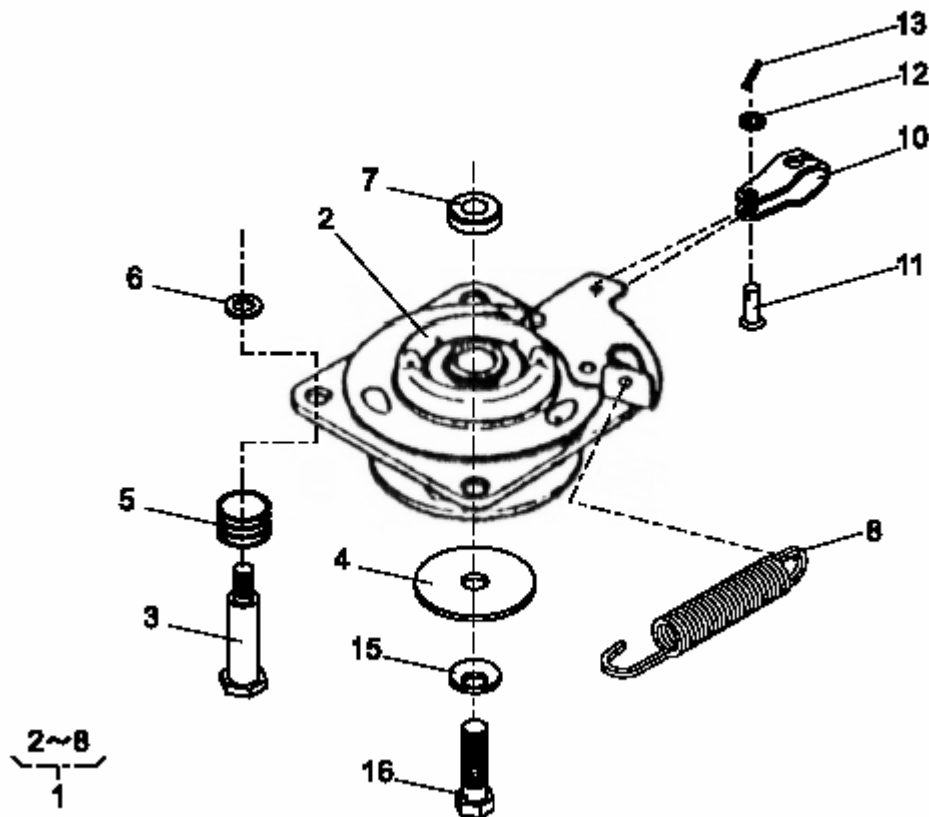


# K20- W721 PRO Phase 2

## CLUTCH BLADE ASSY

## EMBAYAGE DE LAME

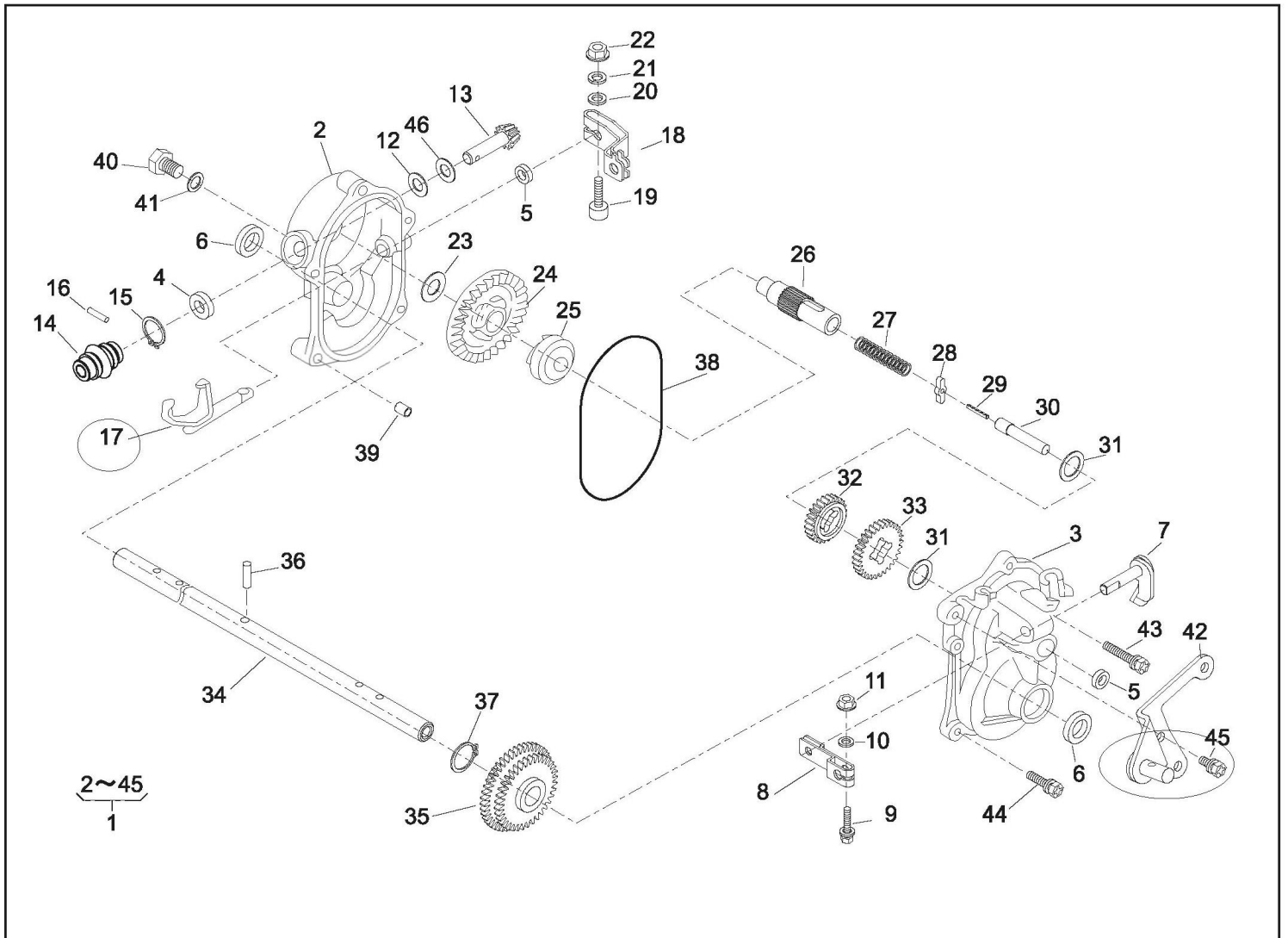
K20-L  
W721 PRO



POS N	PART NUMBER REFERENCE	PART NAME	DESCRIPTION	QTY QTE	I.C.	REMARKS REMARQUE
1	W21TS01030	BRAKE SET (BBC)	EMBAYAGE COMPLET	1		
2	W21TS01029	BRAKE ASSY	EMBAYAGE + FREIN DE LAME	1		
3	W21TS01036	BOLT	VIS	4		
4	W21TS01035	WASHER	RONDELLE	1		
5	W21TS01021	SPRING	RESSORT DE RAPPEL	4		
6	W21TS01017	PLAIN WASHER	RONDELLE	4		
7	W21TS01015	SPACER	ENTRETOISE	1		
8	W21TS01022	SPRING	RESSORT	1		
9						
10	W21TS01028	JOINT	JOINTURE ETAU	1		
11	W21TS00998	GIB-HEADED PIN	AXE	1		
12	W21TS01027	WASHER	RONDELLE	1		
13	W21TS01031	SPLIT PIN	GOUPILLE	1		
14						
15	W21TS00115	SPRING WASHER	ECROU	1		
16	W21TS00999	HEXAGON BOLT	VIS HEX.	1		

# K21- TRANSMISSION TRANSMISSION

K21-L  
W721 PRO



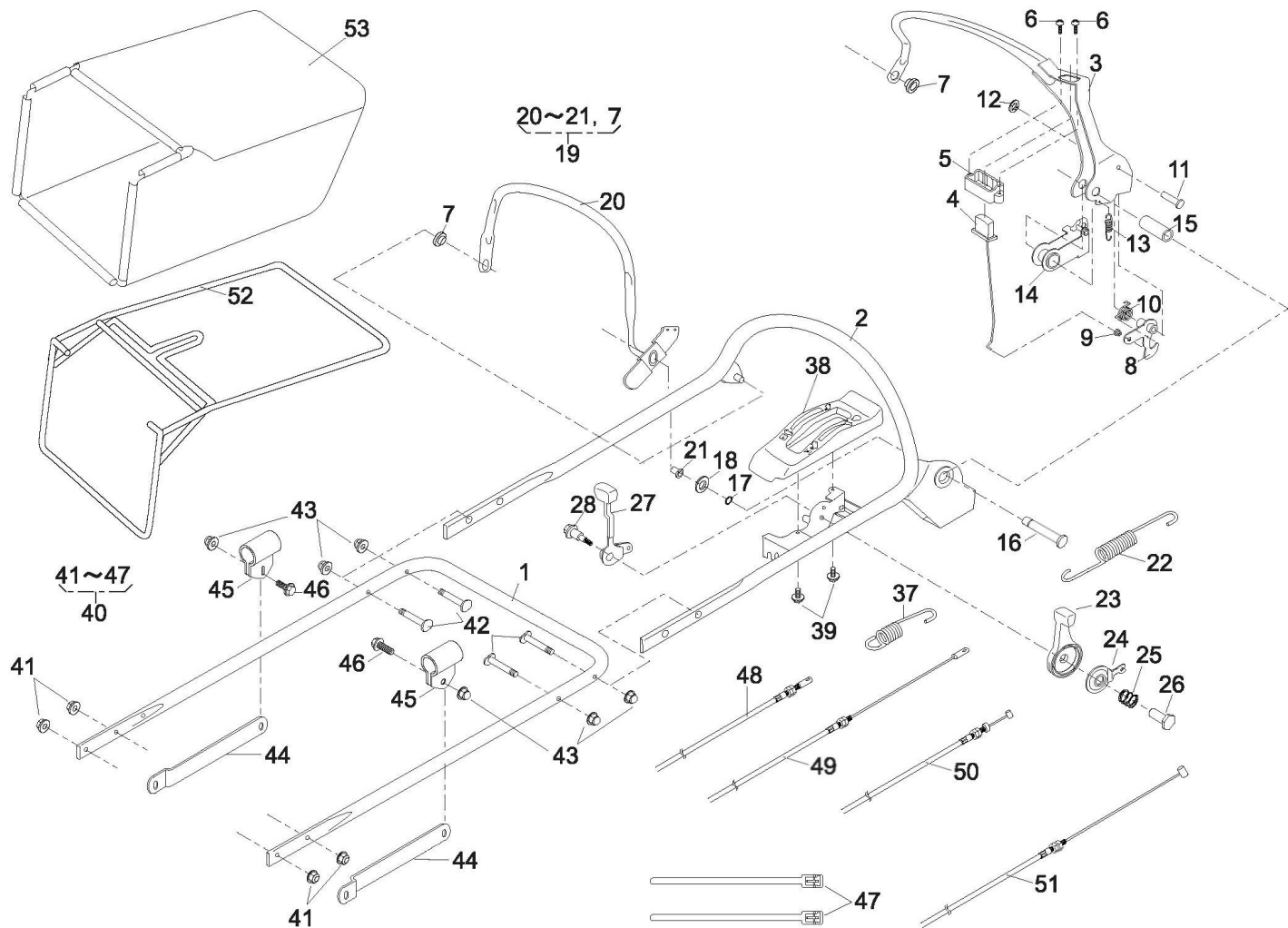
# K21- TRANSMISSION TRANSMISSION

**K21-R**  
**W721 PRO**

POS N	PART NUMBER REFERENCE	PART NAME	DESCRIPTION	QTY QTE	I.C.	REMARKS REMARQUE
1	W21TS00210	GEAR CASE ASSY	ENS.TRANSMISSION	1		
2	W21TS00077	GEAR CASE	CARTER DE TRANSMISSION	1		
3	W21TS00078	GEAR CASE	CARTER DE TRANSMISSION	1		
4	W21TS00093	OIL SEAL	BAGUE JOINT	1		
5	W21TS00094	OIL SEAL	BAGUE JOINT	2		
6	W21TS00095	OIL SEAL	BAGUE JOINT	2		
7	W21TS00112	SHIFTER SHAFT	ARBRE DE CRABOT	1		
8	W21TS00022	ARM	BRAS	1		
9	W21TS00057	(+)HEXAGON BOLT(W/PW)	VIS	1		
10	W21TS00102	PLAIN WASHER	RONDELLE	1		
11	W21TS00089	FLANGE NUT	ECROU	1		
12	W21TS00096	THRUST PLATE	PLAQUE DE BUTEE	1		
13	W21TS00154	PINION	PIGNON CONIQUE ENTR.	1		
14	W21TS00173	UNIVERSAL JOINT	CARDAN	1		
15	W21TS00160	C-SNAP RING	ANNEAU	1		
16	W21TS00145	PARALLEL PIN	GOUPILLE	1		
17	W21TS00019	SHIFTER FORK	FOURCHETTE	1		
18	W21TS00023	ARM	BRAS	1		
19	W21TS00217	SOCKET SCREW	VIS	1		
20	W21TS00103	PLAIN WASHER	RONDELLE	1		
21	W21TS00218	SPRING LOCK WASHER	RONDELLE	1		
22	W21TS00086	HEXAGON NUT	ECROU	1		
23	W21TS00100	SPACER	ENTRETOISE	1		
24	W21TS00153	BEVEL GEAR	PIGNON CONIQUE MENE	1		
25	W21TS00031	CLUTCH	CRABOT	1		
26	W21TS00108	SHAFT	ARBRE	1		
27	W21TS00119	SPRING	RESSORT	1		
28	W21TS00042	PIN	GOUPILLE	1		
29	W21TS00148	SPRING PIN	AXE DE RESSORT	1		
30	W21TS00107	SHAFT	ARBRE	1		
31	W21TS00101	SPACER	ENTRETOISE	2		
32	W21TS00156	GEAR	PIGNON	1		
33	W21TS00155	GEAR	PIGNON	1		
34	W21TS00219	SHAFT	ARBRE	1		
35	W21TS00157	GEAR C.P.	PIGNON	1		
36	W21TS00040	PIN	GOUPILLE	1		
37	W21TS00161	C-SNAP RING	ANNEAU	1		
38	W21TS00038	O-RING	JOINT TORIQUE	1		
39	W21TS00015	COLLAR	COLLIER	2		
40	W21TS00048	HEXAGON BOLT	VIS	1		
41	W21TS00116	FIBER WASHER	RONDELLE	1		
42	W21TS00220	STAY C.P.	SUPPORT	1		PHASE I
42	W21TS00989	STAY C.P.	SUPPORT	1		PHASE II
43	W21TS00054	(+)HEXAGON BOLT(SW,PW)	VIS	3		
44	W21TS00055	(+)HEXAGON BOLT(SW,PW)	VIS	2		
45	W21TS00056	(+)HEXAGON BOLT(SW)	VIS	1		

# K22- W721 PRO Phase 1 (~21620) GRASS CATCHER/HANDLE/CABLE SAC A HERBE/GUIDON/CABLES

K22-L  
W721 PRO



# K22- W721 PRO Phase 1 (~21620)

## GRASS CATCHER/HANDLE/CABLE

### SAC A HERBE/GUIDON/CABLES

**K22-R**  
W721 PRO

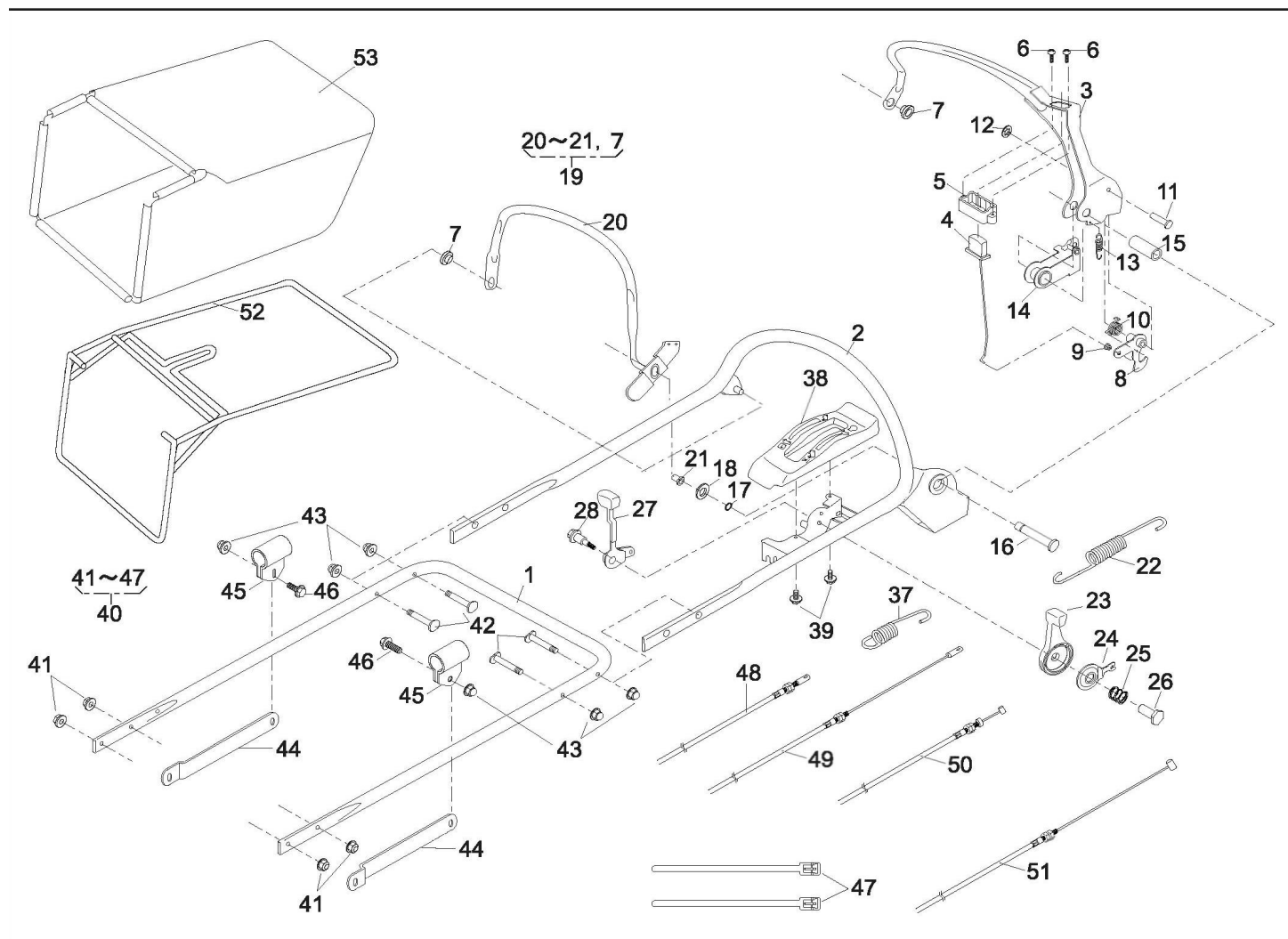
1/2

POS N	PART NUMBER REFERENCE	PART NAME	DESCRIPTION	QTY QTE	I.C.	REMARKS REMARQUE
1	W21TS00214	HANDLE	GUIDON INF.	1		
2	W21TS00216	HANDLE	GUIDON SUP.	1		
3	W21TS00080	LEVER C.P. (BBC)	LEVIER COMMANDE	1		
4	W21TS00074	BUTTON	BOUTON	1		
5	W21TS00083	GUIDE	GUIDE	1		
6	W21TS00075	(+)TAPPING SCREW	VIS	2		
7	W21TS00152	BUSH	BAGUE	2		
8	W21TS00136	ARM C.P.	BRAS	1		
9	W21TS00150	BUSH	BAGUE	1		
10	W21TS00123	SPRING	RESSORT	1		
11	W21TS00043	GIB-HEADED PIN	GOUPILLE	1		
12	W21TS00091	PUSH NUT	ECROU	1		
13	W21TS00124	SPRING	RESSORT	1		
14	W21TS00028	LINK	MAILLON	1		
15	W21TS00099	SLEEVE	MANCHON	1		
16	W21TS00110	SHAFT	ARBRE	1		
17	W21TS00158	C-SNAP RING FOR SHAFT	ANNEAU	1		
18	W21TS00105	PLAIN WASHER	RONDELLE	1		
19	W21TS00144	LEVER ASSY	ENS. LEVIER	1		
20		LEVER	LEVIER	1		
21	W21TS00149	BUSH	BAGUE	1		
22	W21TS00128	SPRING	RESSORT	1		
23	W21TS00168	THROTTLE	ACCELERATEUR	1		
24	W21TS00098	THRUST PLATE	PLAQUE BUTEE	1		
25	W21TS00122	SPRING	RESSORT	1		
26	W21TS00050	HEXAGON NUT	ECROU	1		
27	W21TS00017	LEVER	LEVIER	1		
28	W21TS00051	PRE-COAT LOCK BOLT	VIS BLOCAGE	1		
29						
30						
31						
32						
33						
34						
35						
36						
37	W21TS00118	SPRING	RESSORT	1		
38	W21TS00146	COVER ASSY	COUVERCLE	1		
39	W21TS00076	(+)TAPPING SCREW	VIS	2		
40	W21TS00271	BOLT SET	KIT VISSERIE	1		
41	W21TS00088	FLANGE NYLON NUT	ECROU	4		
42	W21TS00203	HEXAGON BOLT	VIS	4		
43	W21TS00183	FLANGE CAP NUT	MOLETTE	6		
44	W21TS00190	BAR SET	BARRE	1		
45	W21TS00205	HANGER BAND	SUPPORT	2		
46	W21TS00044	HEXAGON BOLT	VIS	2		

# K22- W721 PRO Phase 1 (~21620) GRASS CATCHER/HANDLE/CABLE SAC A HERBE/GUIDON/CABLES

**K22-L**  
W721 PRO

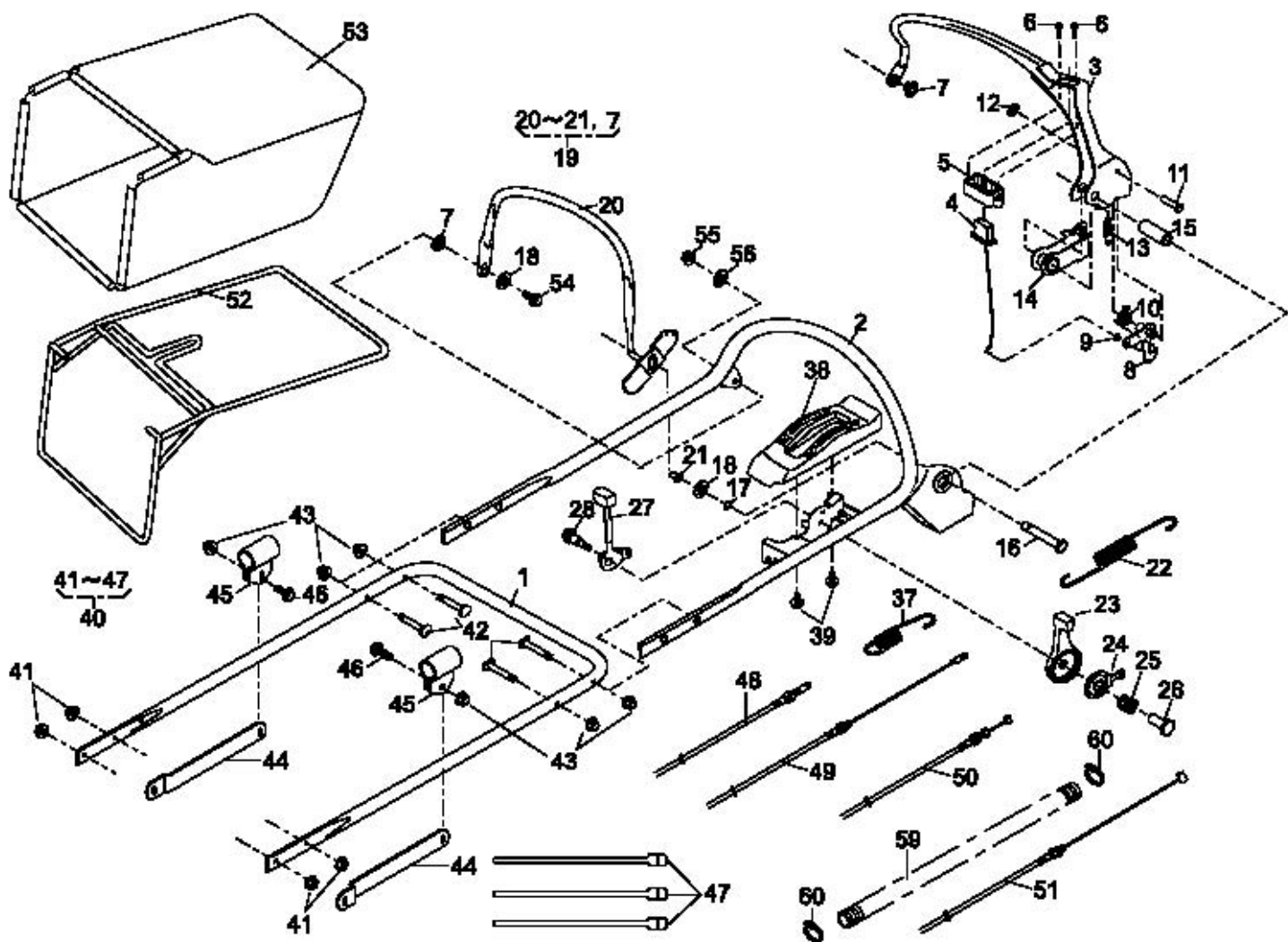
2/2



47	W21TS00129	WIRE BAND	ATTACHE FIL	2		
48	W21TS00165	CONTROL CABLE	CABLE DE CONTROLE	1		
49	W21TS00167	CONTROL CABLE	CABLE DE CONTROLE	1		
50	W21TS00164	THROTTLE WIRE(FC180V)	CABLE D'ACCELERATEUR	1		
51	W21TS00166	CONTROL CABLE BBC	CABLE FREIN LAME	1		
52	W21TS00014	FRAME C.P.	CHASSIS DE BAC	1		
53	W21TS00073	GRASS BAG C.P.(KUBOTA)	SAC A HERBE	1		

# K22- W721 PRO Phase 2 (21621~) GRASS CATCHER/HANDLE/CABLE SAC A HERBE/GUIDON/CABLES

K22-L  
W721 PRO



# K22- W721 PRO Phase 2 (21621~24305) GRASS CATCHER/HANDLE/CABLE SAC A HERBE/GUIDON/CABLES

**K22-R**  
W721 PRO

1/2

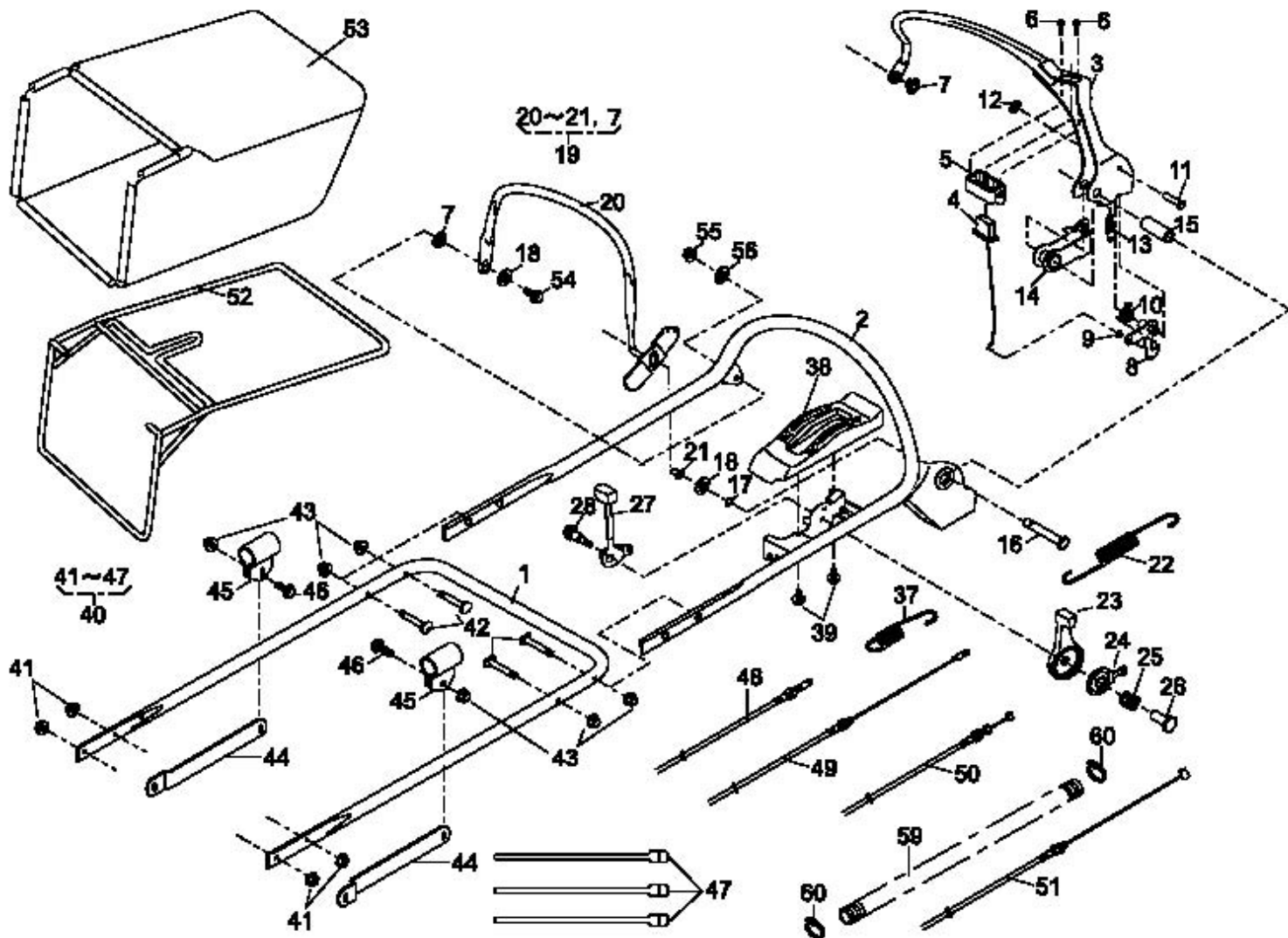
POS N	PART NUMBER REFERENCE	PART NAME	DESCRIPTION	QTY QTE	I.C.	REMARKS REMARQUE
1	W21TS00214	HANDLE	GUIDON INF.	1		
2	W21TS00216	HANDLE	GUIDON SUP.	1		
3	W21TS00080	LEVER C.P. (BBC)	LEVIER COMMANDE	1		
4	W21TS00074	BUTTON	BOUJON	1		
5	W21TS00083	GUIDE	GUIDE	1		
6	W21TS00075	(+)TAPPING SCREW	VIS	2		
7	W21TS00152	BUSH	BAGUE	2		
8	W21TS00136	ARM C.P.	BRAS	1		
9	W21TS00150	BUSH	BAGUE	1		
10	W21TS00123	SPRING	RESSORT	1		
11	W21TS00043	GIB-HEADED PIN	GOUPILLE	1		
12	W21TS00091	PUSH NUT	ECROU	1		
13	W21TS00124	SPRING	RESSORT	1		
14	W21TS00028	LINK	MAILLON	1		
15	W21TS00099	SLEEVE	MANCHON	1		
16	W21TS00110	SHAFT	ARBRE	1		
17	W21TS00158	C-SNAP RING FOR SHAFT	ANNEAU	1		
18	W21TS00105	PLAIN WASHER	RONDELLE	1		
19	W21TS00144	LEVER ASSY	ENS. LEVIER	1		
20		LEVER	LEVIER	1		
21	W21TS00149	BUSH	BAGUE	1		
22	W21TS00128	SPRING	RESSORT	1		
23	W21TS00168	THROTTLE	ACCELERATEUR	1		
24	W21TS00098	THRUST PLATE	PLAQUE BUTEE	1		
25	W21TS00122	SPRING	RESSORT	1		
26	W21TS00050	HEXAGON NUT	ECROU	1		
27	W21TS00017	LEVER	LEVIER	1		
28	W21TS00051	PRE-COAT LOCK BOLT	VIS BLOCAGE	1		
29						
30						
31						
32						
33						
34						
35						
36						
37	W21TS00118	SPRING	RESSORT	1		
38	W21TS00146	COVER ASSY	COUVERCLE	1		
39	W21TS00076	(+)TAPPING SCREW	VIS	2		
40	W21TS00271	BOLT SET	KIT VISSERIE	1		
41	W21TS00088	FLANGE NYLON NUT	ECROU	4		
42	W21TS00203	HEXAGON BOLT	VIS	4		
43	W21TS00183	FLANGE CAP NUT	MOLETTE	6		
44	W21TS00190	BAR SET	BARRE	1		
45	W21TS00205	HANGER BAND	SUPPORT	2		
46	W21TS00044	HEXAGON BOLT	VIS HEX.	2		



# K22- W721 PRO Phase 2 (21621~24305) GRASS CATCHER/HANDLE/CABLE SAC A HERBE/GUIDON/CABLES

**K22-R**  
W721 PRO

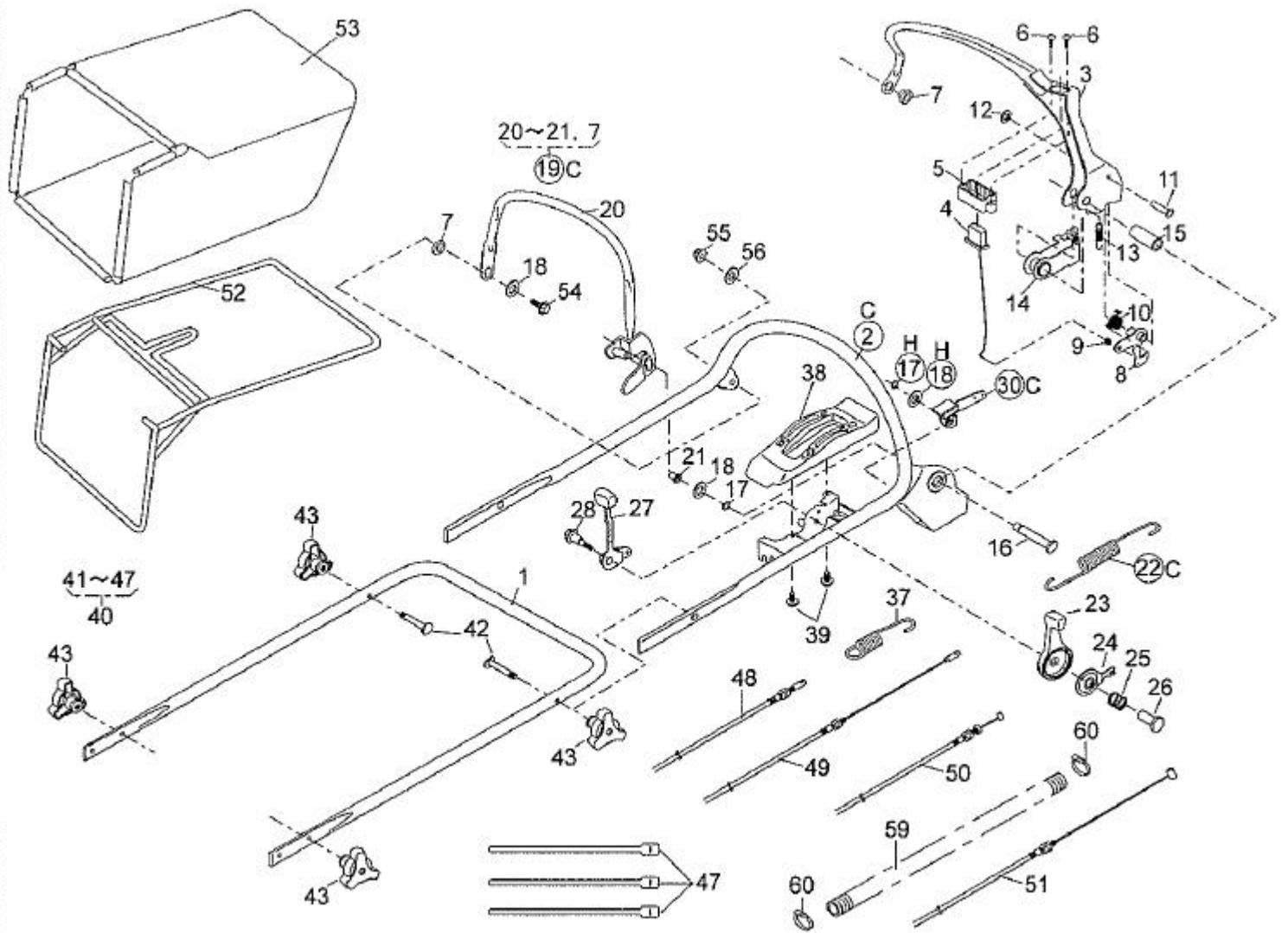
2/2



47	W21TS00129	WIRE BAND	ATTACHE FIL	3		
48	W21TS00165	CONTROL CABLE	CABLE DE CONTROLE	1		
49	W21TS00167	CONTROL CABLE	CABLE DE CONTROLE	1		
50	W21TS00164	THROTTLE WIRE (FC180V)	CABLE D'ACCELERATEUR	1		
51	W21TS01033	CONTROL CABLE (BBC)	CABLE FREIN LAME	1		
52	W21TS00014	FRAME C.P.	CHASSIS DE BAC	1		
53	W21TS00073	GRASS BAG C.P.(KUBOTA)	SAC A HERBE	1		
54	W21TS01000	HEXAGON BOLT	VIS HEX.			
55						
56						
57						
58						
59	W21TS01007	TUBE (15.6x800L)	TUBE (15.6x800L)	1		
60	W21TS01026	WIRE BAND	ATTACHE FIL	2		

# K22- W721 PRO Phase 2 (24306~) GRASS CATCHER/HANDLE/CABLE SAC A HERBE/GUIDON/CABLES

**K22-L**  
W721 PRO



# K22- W721 PRO Phase 2 (24306~)

## GRASS CATCHER/HANDLE/CABLE

### SAC A HERBE/GUIDON/CABLES

**K22-R**  
W721 PRO

1/2

POS N	PART NUMBER REFERENCE	PART NAME	DESCRIPTION	QTY QTE	I.C.	REMARKS REMARQUE
1	W21TS00176	HANDLE	GUIDON INF.	1		
2	W21TS01125	HANDLE	GUIDON SUP.	1		
3	W21TS00080	LEVER C.P. (BBC)	LEVIER COMMANDE	1		
4	W21TS00074	BUTTON	BOUTON	1		
5	W21TS00083	GUIDE	GUIDE	1		
6	W21TS00075	(+)TAPPING SCREW	VIS	2		
7	W21TS00152	BUSH	BAGUE	2		
8	W21TS00136	ARM C.P.	BRAS	1		
9	W21TS00150	BUSH	BAGUE	1		
10	W21TS00123	SPRING	RESSORT	1		
11	W21TS00043	GIB-HEADED PIN	GOUPILLE	1		
12	W21TS00091	PUSH NUT	ECROU	1		
13	W21TS00124	SPRING	RESSORT	1		
14	W21TS00028	LINK	MAILLON	1		
15	W21TS00099	SLEEVE	MANCHON	1		
16	W21TS00110	SHAFT	ARBRE	1		
17	W21TS00158	C-SNAP RING	ANNEAU	1		
18	W21TS00105	PLAIN WASHER	RONDELLE	1		
19	W21TS01129	LEVER ASS'Y	ENS. LEVIER	1		
20		LEVER	LEVIER	1		
21	W21TS00149	BUSH	BAGUE	1		
22	W21TS01128	SPRING	RESSORT	1		
23	W21TS00168	THROTTLE	ACCELERATEUR	1		
24	W21TS00098	THRUST PLATE	PLAQUE BUTEE	1		
25	W21TS00122	SPRING	RESSORT	1		
26	W21TS00050	HEXAGON NUT	ECROU	1		
27	W21TS00017	LEVER	LEVIER	1		
28	W21TS00051	PRE-COAT LOCK BOLT	VIS BLOCAGE	1		
29						
30	W21TS01130	ARM C.P.	BRAS DE LEVIER	1		
31						
32						
33						
34						
35						
36						
37	W21TS00118	SPRING	RESSORT	1		
38	W21TS00146	COVER ASS'Y	COUVERCLE	1		
39	W21TS00076	(+)TAPPING SCREW	VIS	2		
40	W21TS00147	BOLT SET	KIT VISSERIE	1		
41						
42	W21TS00049	HEXAGON BOLT	VIS	2		
43	W21TS00272	KNOB	MOLETTE	4		
44						
45						

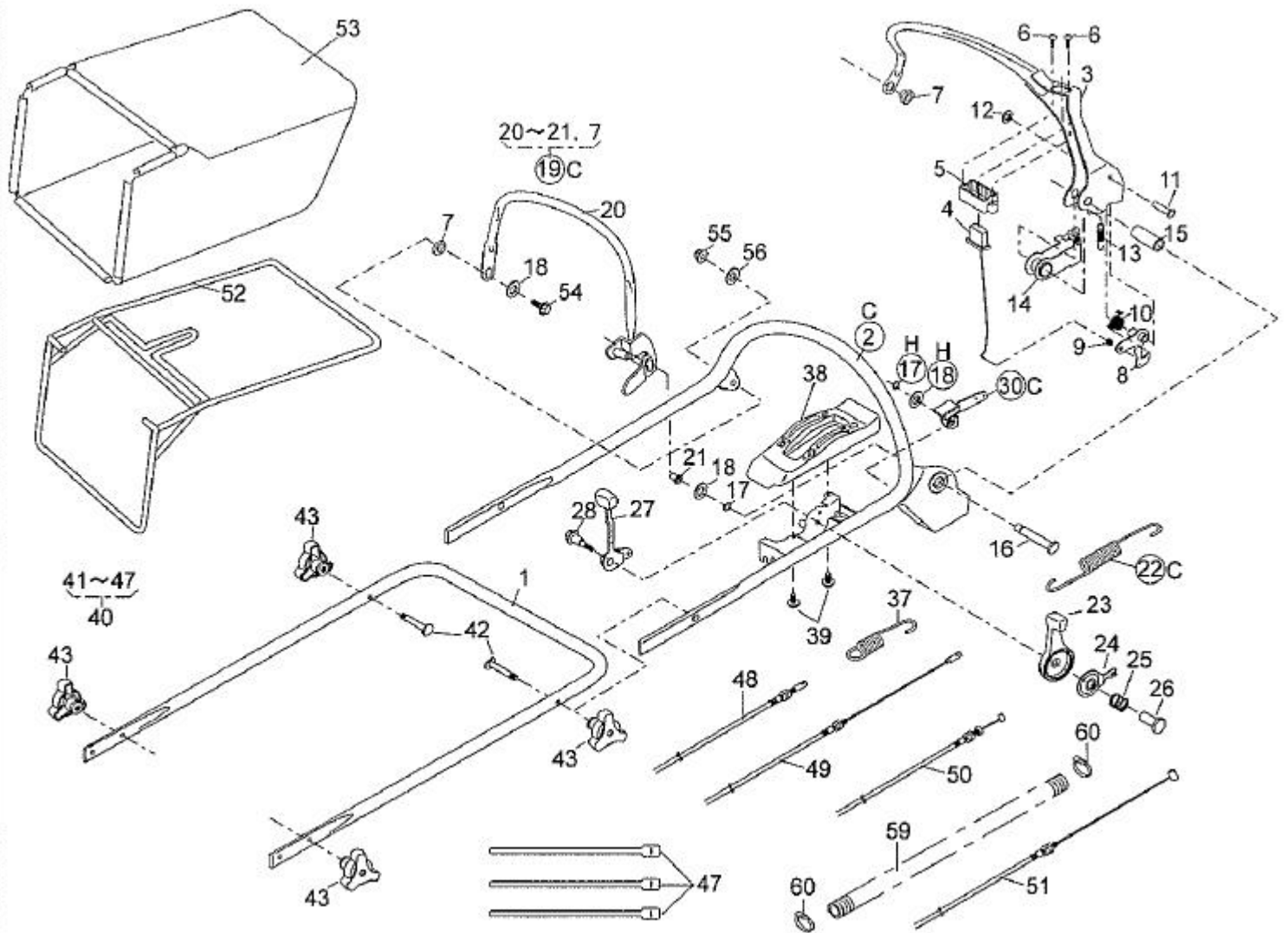
# K22- W721 Phase 2 (24306~)

## GRASS ATCHER/HANDLE/CABLE

## SAC A HERBE/GUIDON/CABLES

2/2

**K22-L**  
W721 PRO



46	W21TS00044	HEXAGON BOLT	VIS HEX.	2		
47	W21TS00129	WIRE BAND	ATTACHE FIL	3		
48	W21TS00165	CONTROL CABLE	CABLE DE CONTROLE	1		
49	W21TS00167	CONTROL CABLE	CABLE DE CONTROLE	1		
50	W21TS00164	THROTTLE WIRE (FC180V)	CABLE D'ACCELERATEUR	1		
51	W21TS01033	CONTROL CABLE (BBC)	CABLE FREIN LAME	1		
52	W21TS00014	FRAME C.P.	CHASSIS DE BAC	1		
53	W21TS00073	GRASS BAG C.P.(KUBOTA)	SAC A HERBE	1		
54	W21TS01000	HEXAGON BOLT	VIS HEX.			
55						
56						
57						
58						
59	W21TS01007	TUBE (15.6x800L)	TUBE (15.6x800L)	1		
60	W21TS01026	WIRE BAND	ATTACHE FIL	2		

---

# W721 PRO.HST

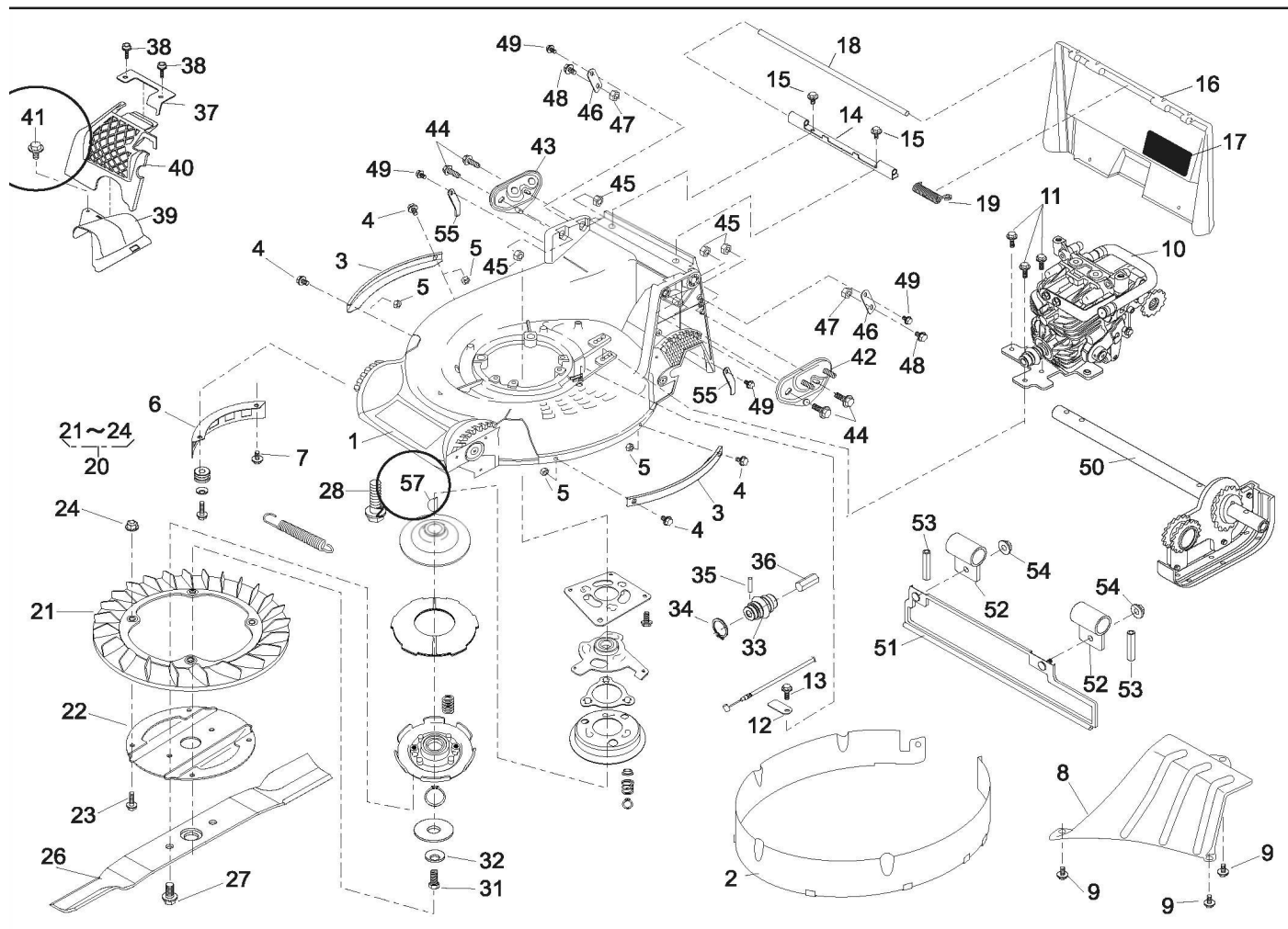
---

- CARTER DE LAME K23
- ROUES K24
- EMBRAYAGE DE LAME K25
- HST K26
- SAC A HERBE / GUIDON / CABLES K27

- 
- CUTTER HOUSING K23
  - WHEELS K24
  - CLUTCH BLADE ASSY K25
  - HST K26
  - GRASS CATCHER BAG / HANDLE / CABLES K27
-

# K23- W721 PRO.HST Phase 1 (~31650) CUTTER HOUSING / BLADE CARTER DE LAME / LAME

**K23-L**  
W721 PRO  
HST



NOT SHOWN ON DRAWING // NE FIGURE PAS SUR LE SCHEMA

ITEM 25

>>>>>

W21TS00922

HI-LIFT BLADE // LAME SOUFFLANTE

# K23- W721 PRO.HST Phase 1 (~31650)

## CUTTER HOUSING / BLADE

### CARTER DE LAME / LAME

**K23-R**  
W721 PRO  
HST

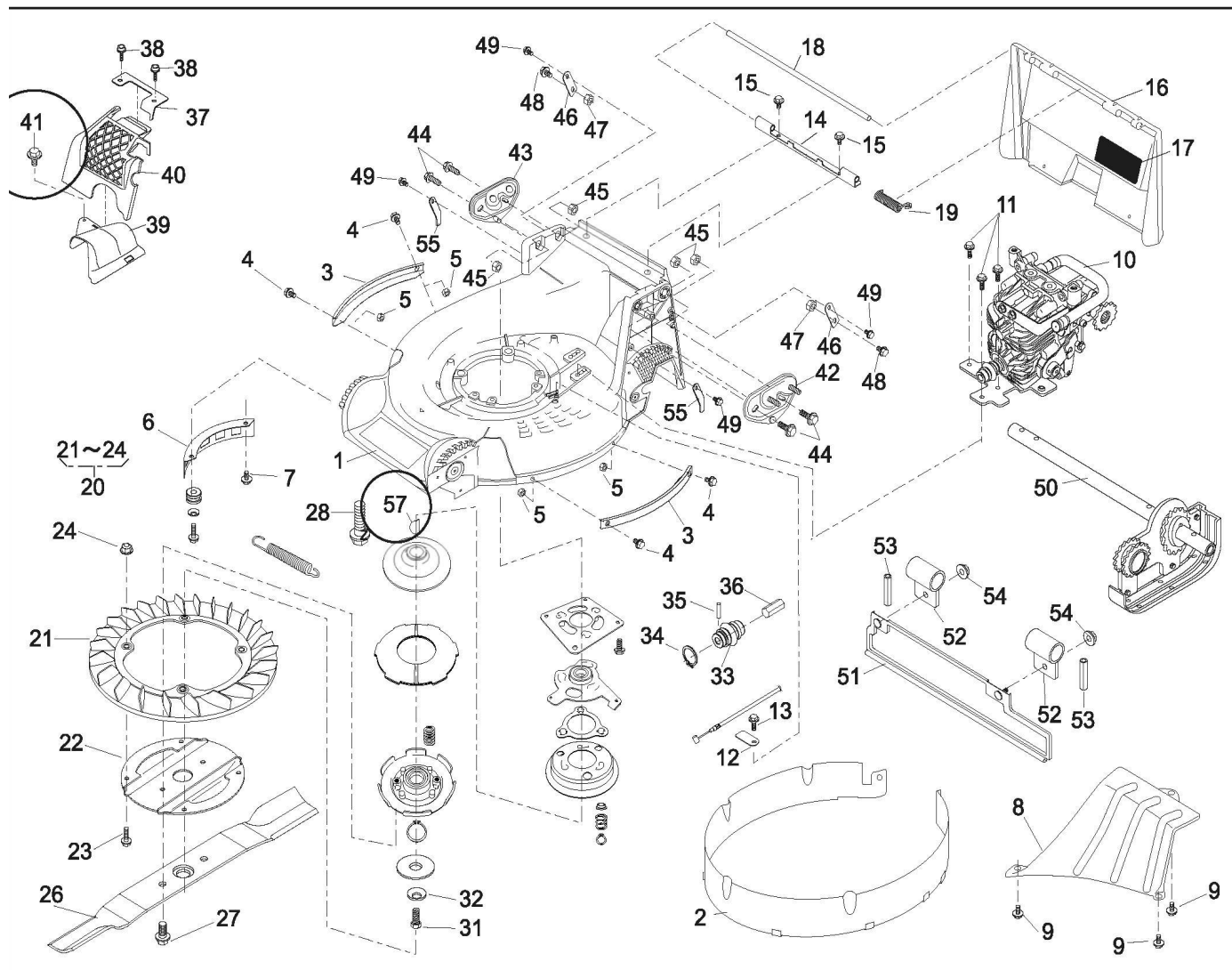
1/2

POS N	PART NUMBER REFERENCE	PART NAME	DESCRIPTION	QTY QTE	I.C.	REMARKS REMARQUE
1	W21TS00081	HOUSING	CARTER DE TONDEUSE	1		
2	W21TS00202	GUARD	PROTECTION	1		
3	W21TS00082	PROTECTOR	PROTECTION	2		
4	W21TS00058	FLANGE BOLT	VIS	4		
5	W21TS00086	HEXAGON NUT	ECROU	4		
6	W21TS00067	COVER	COUVERCLE	1		
7	W21TS00061	FLANGE TAPPING BOLT	VIS	1		
8	W21TS00068	COVER	COUVERCLE	1		
9	W21TS00061	FLANGE TAPPING BOLT	VIS	3		
10		HST UNIT	SUPPORT	1		
11	W21TS00061	FLANGE TAPPING BOLT	VIS	3		
12	W21TS00030	STAY	SUPPORT	1		
13	W21TS00061	FLANGE TAPPING BOLT	VIS	1		
14	W21TS00029	STAY	SUPPORT	1		
15	W21TS00061	FLANGE TAPPING BOLT	VIS	2		
16	W21TS00070	GUARD	COUVERCLE D'EJECTION	1		
17	W21TS00072	RUBBER SHEET	CAOUTCHOUC	1		
18	W21TS00109	SHAFT	ARBRE	1		
19	W21TS00817	SPRING	RESSORT	1		
20	W21TS00139	FAN ASSY	ENS. VENTILATEUR	1		
21	W21TS00819	FAN	VENTILATEUR	1		
22	W21TS00021	HOLDER	SUPPORT VENTILO.	1		
23	W21TS00052	PRE-COAT LOCK BOLT	VIS FREIN	4		
24	W21TS00092	FLANGE NUT	ECROU	4		
25	W21TS00922	HI-LIFT BLADE	LAME SOUFFLANTE	1		NEW
26	W21TS00169	BLADE	LAME	1		
27	W21TS00060	FLANGE BOLT	VIS	2		
28	W21TS00059	FLANGE BOLT	VIS	4		
29						
30	W21TS00919	BRAKE ASSY	EMBAYAGE + FREIN DE LAME	1		NEW
31	W21TS00046	HEXAGON BOLT	VIS	1		
32	W21TS00115	SPRING WASHER	RONDELLE	1		
33	W21TS00173	UNIVERSAL JOINT	CARDAN	1		
34	W21TS00160	C-SNAP RING	ANNEAU	1		
35	W21TS00145	PARALLEL PIN	GOUPILLE	1		
36	W21TS00223	SHAFT	ARBRE	1		
37	W21TS00224	FIXING PLATE	CONNECTEUR	1		
38	W21TS00225	SOCKET SCREW FLANGE	RONDELLE	2		
39	W21TS00226	COVER	ANNEAU	1		
40	W21TS00227	COVER	COUVERCLE	1		
41	W21TS00062	FLANGE TAPPING BOLT	VIS	1		
42	W21TS00207	HANDLE BRACKET(L)	SUPPORT GUIDON GA	1		
43	W21TS00208	HANDLE BRACKET(R)	SUPPORT GUIDON DR	1		
44	W21TS00045	HEXAGON BOLT	VIS HEX	4		
45	W21TS00087	HEXAGON NUT	ECROU HEX	4		
46	W21TS00209	STAY	SUPPORT	2		

# K23- W721 PRO.HST Phase 1 (~31650) CUTTER HOUSING / BLADE CARTER DE LAME / LAME

**K23-L**  
W721 PRO  
HST

2/2



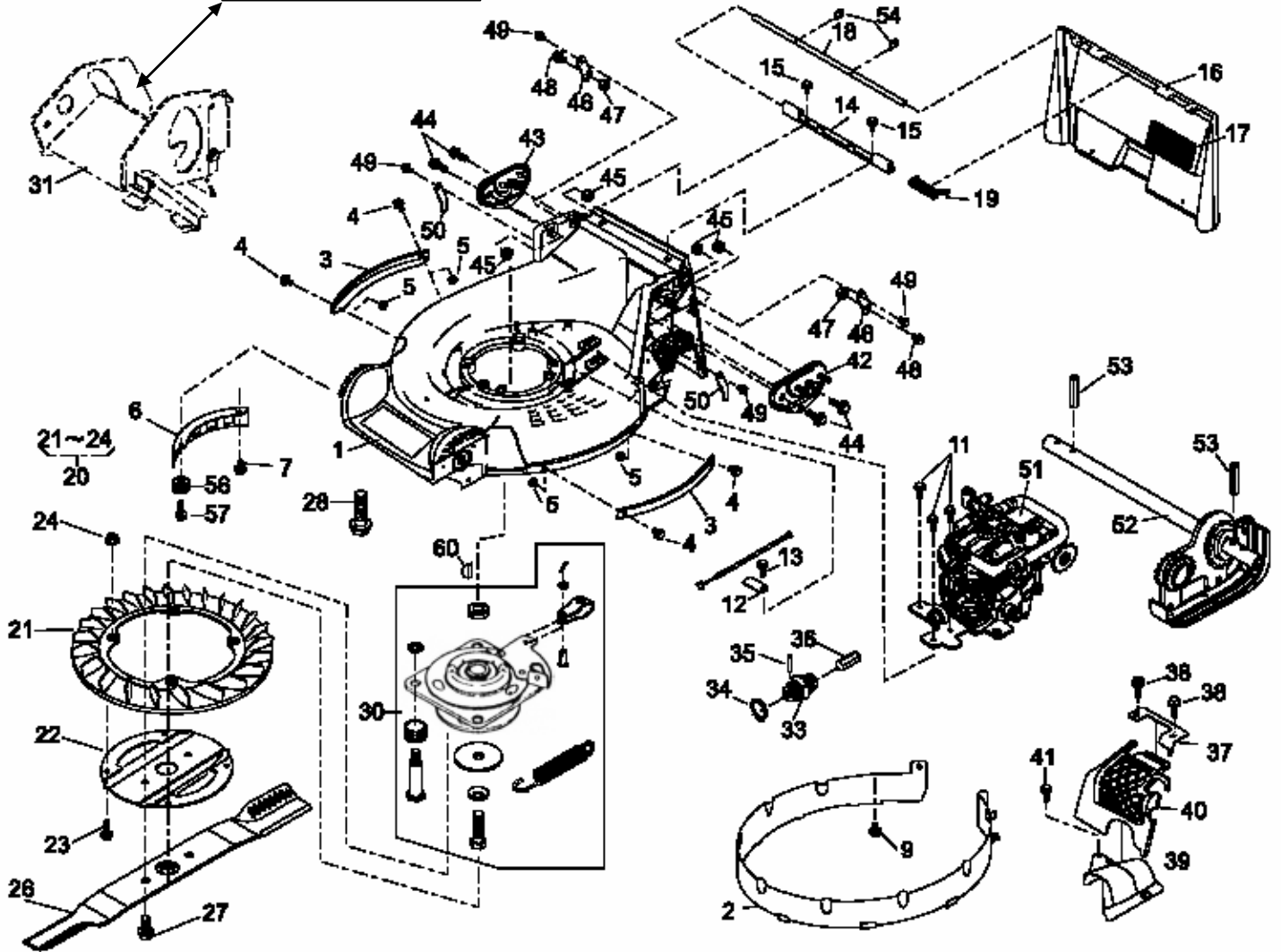
47	W21TS00087	HEXAGON NUT	ECROU	2		
48	W21TS00044	HEXAGON BOLT	VIS	2		
49	W21TS00061	FLANGE TAPPING BOLT	VIS	4		
50		SHAFT UNIT	ENS. TRANSMISSION	1		
51	W21TS00228	SAFETY GUARD	PLAQUE DE SECURITE	1		
52	W21TS00013	HANGER BAND	SUPPORT DE PLAQUE	2		
53	W21TS00212	SPRING PIN	AXE DE RESSORT	2		
54	W21TS00198	FLANGE NYLON NUT	ECROU	2		
55	W21TS00229	SATY	AXE	2		
56	W21ES00000	ENGINE:KAWASAKI FC180V-	MOTEUR CPLT FC180V-C53	1		
57	W21ES00040	KEY	CLAVETTE	1		



# K23- W721 PRO.HST Phase 2 (31651~) CUTTER HOUSING / BLADE CARTER DE LAME / LAME

K23-L  
W721 PRO  
HST

Voir page suivante  
pour le détail



# K23- W721 PRO.HST Phase 2 (31651~)

## CUTTER HOUSING / BLADE

## CARTER DE LAME / LAME

**K23-R**  
W721 PRO  
HST

1/2

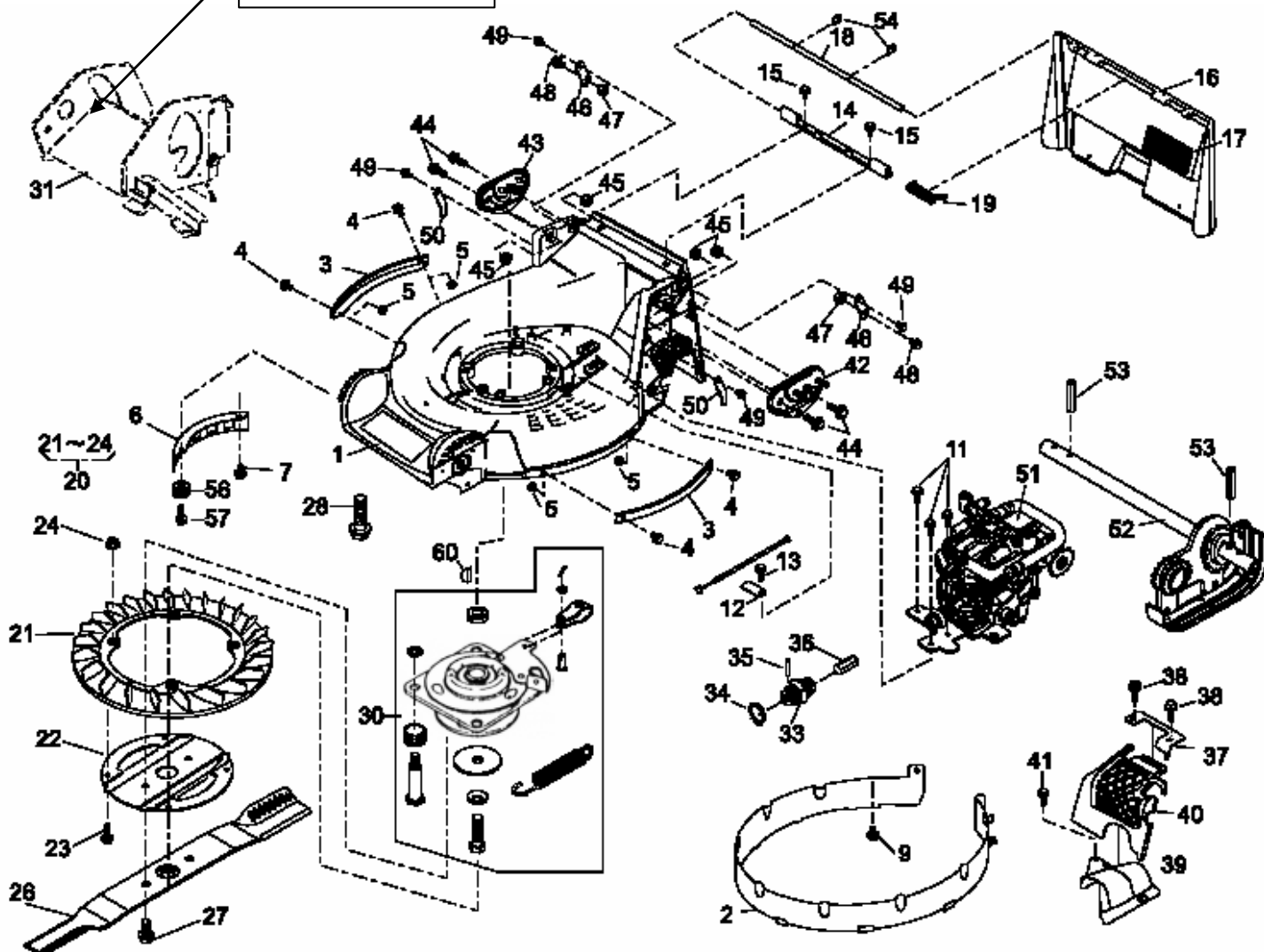
POS N	PART NUMBER REFERENCE	PART NAME	DESCRIPTION	QTY QTE	I.C.	REMARKS REMARQUE
1	W21TS01011	HOUSING	CARTER DE TONDEUSE	1		
2	W21TS01002	GUARD	PROTECTION	1		
3	W21TS00082	PROTECTOR	PROTECTION	2		
4	W21TS00058	FLANGE BOLT	VIS	4		
5	W21TS00086	HEXAGON NUT	ECROU	4		
6	W21TS00067	COVER	COUVERCLE	1		
7	W21TS00061	FLANGE TAPPING BOLT	VIS	1		
9	W21TS00061	FLANGE TAPPING BOLT	VIS	3		
10	W21TS00011	STAY C.P.	SUPPORT	1		
11	W21TS00061	FLANGE TAPPING BOLT	VIS	2		
12	W21TS00030	STAY	SUPPORT	1		
13	W21TS00061	FLANGE TAPPING BOLT	VIS	1		
14	W21TS00029	STAY	SUPPORT	1		
15	W21TS00061	FLANGE TAPPING BOLT	VIS	2		
16	W21TS00070	GUARD	COUVERCLE D'EJECTION	1		
17	W21TS00072	RUBBER SHEET	CAOUTCHOUC	1		
18	W21TS01020	SHAFT	ARBRE	1		
19	W21TS00817	SPRING	RESSORT	1		
20	W21TS00139	FAN ASSY	ENS. VENTILATEUR	1		
21	W21TS00121	FAN	VENTILATEUR	1		
22	W21TS00021	HOLDER	SUPPORT VENTILO.	1		
23	W21TS00052	PRE-COAT LOCK BOLT	VIS FREIN	4		
24	W21TS00092	FLANGE NUT	ECROU	4		
25	W21TS01016	SPACER	ENTRETOISE	2		
26	W21TS00988	BLADE HI-LIFT	LAME SOUFFLANTE AJOUREE	1	26	
27	W21TS00060	FLANGE BOLT	VIS	2		
28	W21TS01001	FLANGE BOLT	VIS	4		
29	W21TS00997	STUD	GOUJON			
30	W21TS01030	BRAKE ASSY (BBC)	EMBAYAGE + FREIN DE LAME	1		
31	???	COVER (see next page)	COUVERCLE (cf detail page suivante)	1		
32						
33	W21TS00173	UNIVERSAL JOINT	CARDAN	1		
34	W21TS00160	C-SNAP RING	ANNEAU	1		
35	W21TS00145	PARALLEL PIN	GOUPILLE	1		
36	W21TS00111	SHAFT	ARBRE	1		
37	W21TS00204	CONNECTOR	CONNECTEUR	1		
38	W21TS00133	WASHER	RONDELLE	2		
39	W21TS00163	E-SNAP RING	ANNEAU	1		
40	W21TS00069	COVER	COUVERCLE	1		
41	W21TS00062	FLANGE TAPPING BOLT	VIS	1		
42	W21TS00207	HANDLE BRACKET(L)	SUPPORT GUIDON GA	1		
43	W21TS00208	HANDLE BRACKET(R)	SUPPORT GUIDON DR	1		
44	W21TS00045	HEXAGON BOLT	VIS HEX	4		
45	W21TS00087	HEXAGON NUT	ECROU HEX	4		
46	W21TS00209	STAY	SUPPORT	2		

# K23- W721 PRO.HST Phase 2 (31651~) CUTTER HOUSING / BLADE CARTER DE LAME / LAME

**K23-L**  
W721 PRO  
HST

2/2

Voir page suivante  
pour le détail

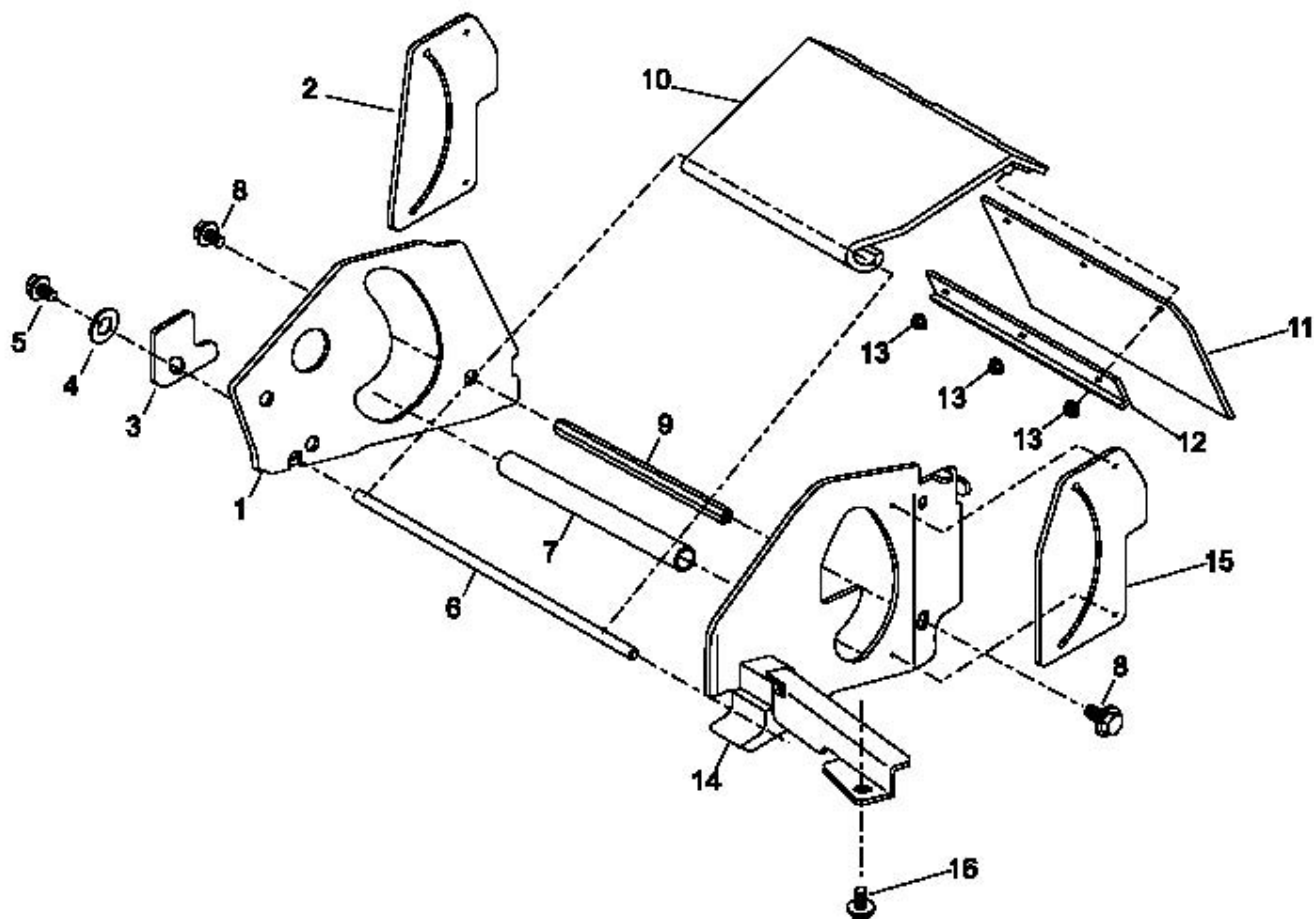


POS N	PART NUMBER REFERENCE	PART NAME	DESCRIPTION	QTY QTE	I.C.	REMARKS REMARQUE
47	W21TS00087	HEXAGON NUT	ECROU	2		
48	W21TS00044	HEXAGON BOLT	VIS	2		
49	W21TS00061	FLANGE TAPPING BOLT	VIS	2		
50	W21TS00229	STAY	SUPPORT	1		
51	W21TS00135	GEAR CASE ASSY	ENS. TRANSMISSION	1		
52	???	SHAFT	ARBRE			
53	W21TS00212	SPRING PIN	AXE DE RESSORT	2		
54	W21TS01032	E-SNAP RING	ANNEAU	2		
55	W21TS00213	SNAP PIN	AXE			
56	W21TS00016	COLLAR	COLLIER	1		
57	W21TS00063	FLANGE TAPPING BOLT	VIS			
58						
59	W21ES00000	ENGINE FC180V-C53	MOTEUR CPLT FC180V-C53	1		
60	W21ES00040	KEY	CLAVETTE			

# K23- W721 PRO.HST Phase 2 CUTTER HOUSING / BLADE CARTER DE LAME / LAME

**K23-L**  
W721 PRO  
HST

## -----COVER / COUVERCLE (item n°31)-----



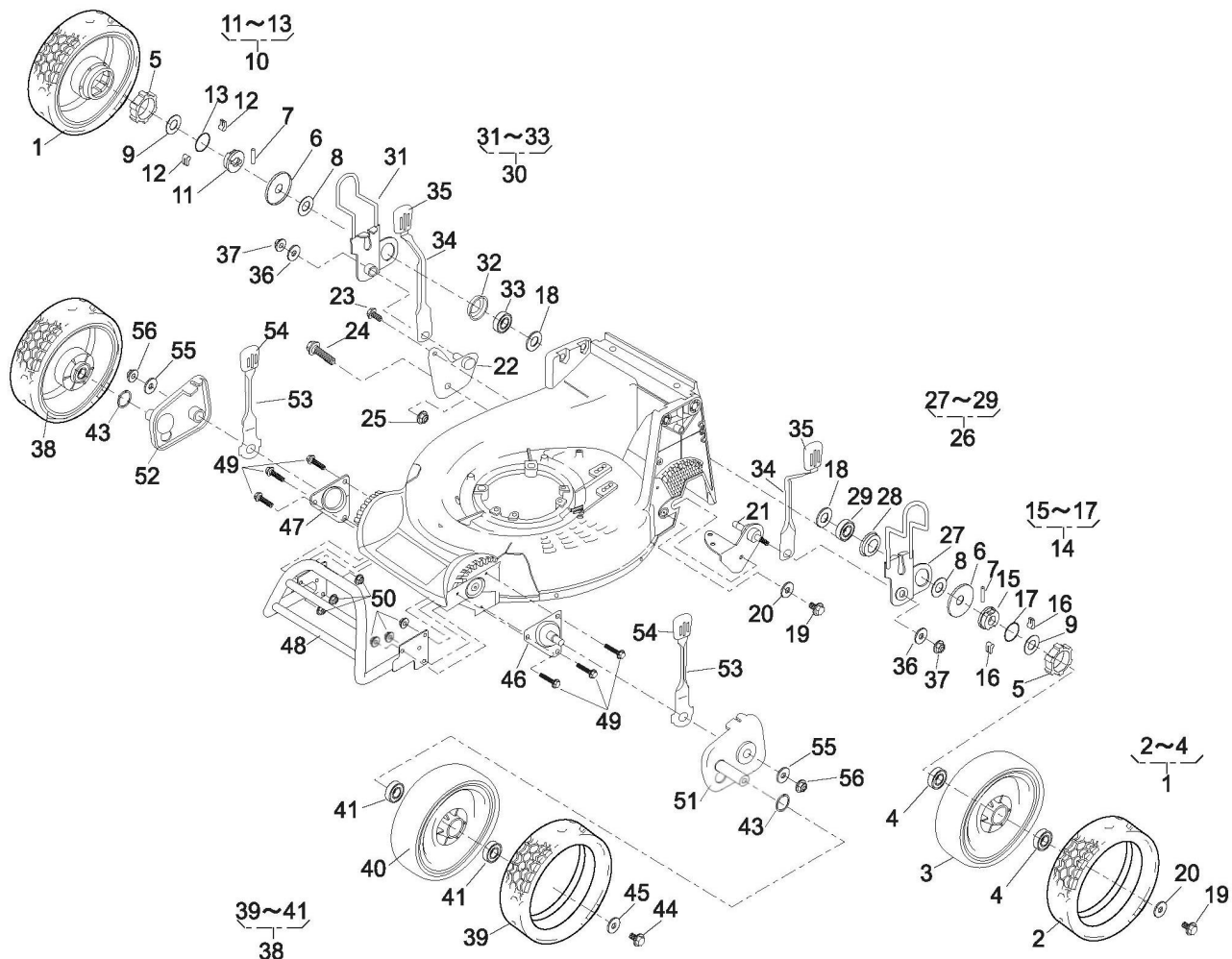
POS N	PART NUMBER REFERENCE	PART NAME	DESCRIPTION	QTY QTE	I.C.	REMARKS REMARQUE
1	W21TS00990	STAY C.P	SUPPORT		1	
2	W21TS01004	RUBBER SHEET	CAHOUTCHOUC		1	
3	W21TS00996	STAY	SUPPORT		1	
4	W21TS00105	PLAIN WASHER	RONDELLE		1	
5	W21TS01008	SOCKET SCREW FLANGE	VIS		1	
6	W21TS01018	SHAFT	ARBRE		1	
7	W21TS00993	COLLAR	COLLIER		1	
8	W21TS00044	HEXAGON BOLT	ECROU HEX.		2	
9	W21TS01019	SHAFT	ARBRE		1	
10	W21TS01012	COVER C.P	COUVERCLE		1	
11	W21TS01003	RUBBER SHEET	CAHOUTCHOUC		1	
12	W21TS00992	FIXING PLATE	CONNECTEUR		1	
13	W21TS01013	FLANGE NYLON NUT	ECROU		3	
14	W21TS00991	STAY C.P	SUPPORT		1	
15	W21TS01005	RUBBER SHEET	CAHOUTCHOUC		1	
16	W21TS00061	FLANGE TAPPING BOLT	VIS		1	

# K24- W721 PRO.HST Phase 1

## WHEELS

## ROUES

K24-L  
W721 PRO  
HST



# K24- W721 PRO.HST Phase 1

## WHEELS

## ROUES

**K24-R**  
**W721 PRO**  
**HST**

1/2

POS N	PART NUMBER REFERENCE	PART NAME	DESCRIPTION	QTY QTE	I.C.	REMARKS REMARQUE
1	W21TS00815	WHEEL ASSY(9.6"A.W.)	ENS.ROUE ARR.	2		
2	W21TS00177	TIRE	PNEU	2		
3	W21TS01162	WHEEL	JANTE	2		
4	W21TS00178	BEARING	BOUCHON	4		
5	W21TS00179	STOPPER	BUTEE	2		
6	W21TS00097	THRUST PLATE	RONDELLE	2		
7	W21TS00039	PIN	GOUPILLE	2		
8	W21TS00180	WASHER	RONDELLE	2		
9	W21TS00131	WASHER	RONDELLE	2		
10	W21TS00142	RATCHET ASSY(R)	ENS.RATCHET DR.	1		
11	W21TS00020	RATCHET	CLIQUET DE ROUE	1		
12	W21TS00041	PIN	AXE	2		
13	W21TS00120	SPRING	RESSORT	1		
14	W21TS00143	RATCHET ASSY(L)	ENS.RATCHET GA.	1		
15	W21TS00020	RATCHET	CLIQUET DE ROUE	1		
16	W21TS00041	PIN	AXE	2		
17	W21TS00120	SPRING	RESSORT	1		
18	W21TS00181	WASHER	RONDELLE	2		
19	W21TS00044	HEXAGON BOLT	VIS	3		
20	W21TS00130	WASHER	RONDELLE	3		
21	W21TS00812	STAY C.P.(RL)	SUPPORT ARR. GA	1		
22	W21TS00010	STAY C.P.(RR)	SUPPORT ARR. DR	1		
23	W21TS00061	FLANGE TAPPING BOLT	VIS	1		
24	W21TS00045	HEXAGON BOLT	VIS	1		
25	W21TS00088	FLANGE NYLON NUT	ECROU	1		
26	W21TS00816	ADJUSTER ASSY(L)	ENS. REGLAGE GA	1		
27	W21TS00185	ADJUSTER(RL)	EXCENTRIQUE ARR. GA	1		
28	W21TS00186	HOLDER	SUPPORT	1		
29	W21TS00187	BEARING	ROULEMENT	1		
30	W21TS00188	ADJUSTER ASSY(R)	ENS. REGLAGE DR	1		
31	W21TS00189	ADJUSTER(RR)	EXCENTRIQUE ARR. DR	1		
32	W21TS00186	HOLDER	ROULEMENT	1		
33	W21TS00187	BEARING	ROULEMENT	1		
34	W21TS00036	ADJUST LEVER	LEVIER REGLAGE	2		
35	W21TS00066	KNOB	POMMEAU DE LEVIER	2		
36	W21TS00105	PLAIN WASHER	RONDELLE	2		
37	W21TS00088	FLANGE NYLON NUT	ECROU	2		
38	W21TS00191	WHEEL ASSY(9.6"A.W. )	ENS. ROUE AVANT	2		
39	W21TS00177	TIRE	PNEU	2		
40	W21TS01161	WHEEL	JANTE	2		
41	W21TS00178	BEARING	ROULEMENT	4		
42			BOUCHON			
43	W21TS00193	RING	RONDELLE	2		
44	W21TS00044	HEXAGON BOLT	BOULON	2		
45	W21TS00130	WASHER	RONDELLE	2		
46	W21TS00194	STAY C.P.(FL)	SUPPORT AVT GA	1		

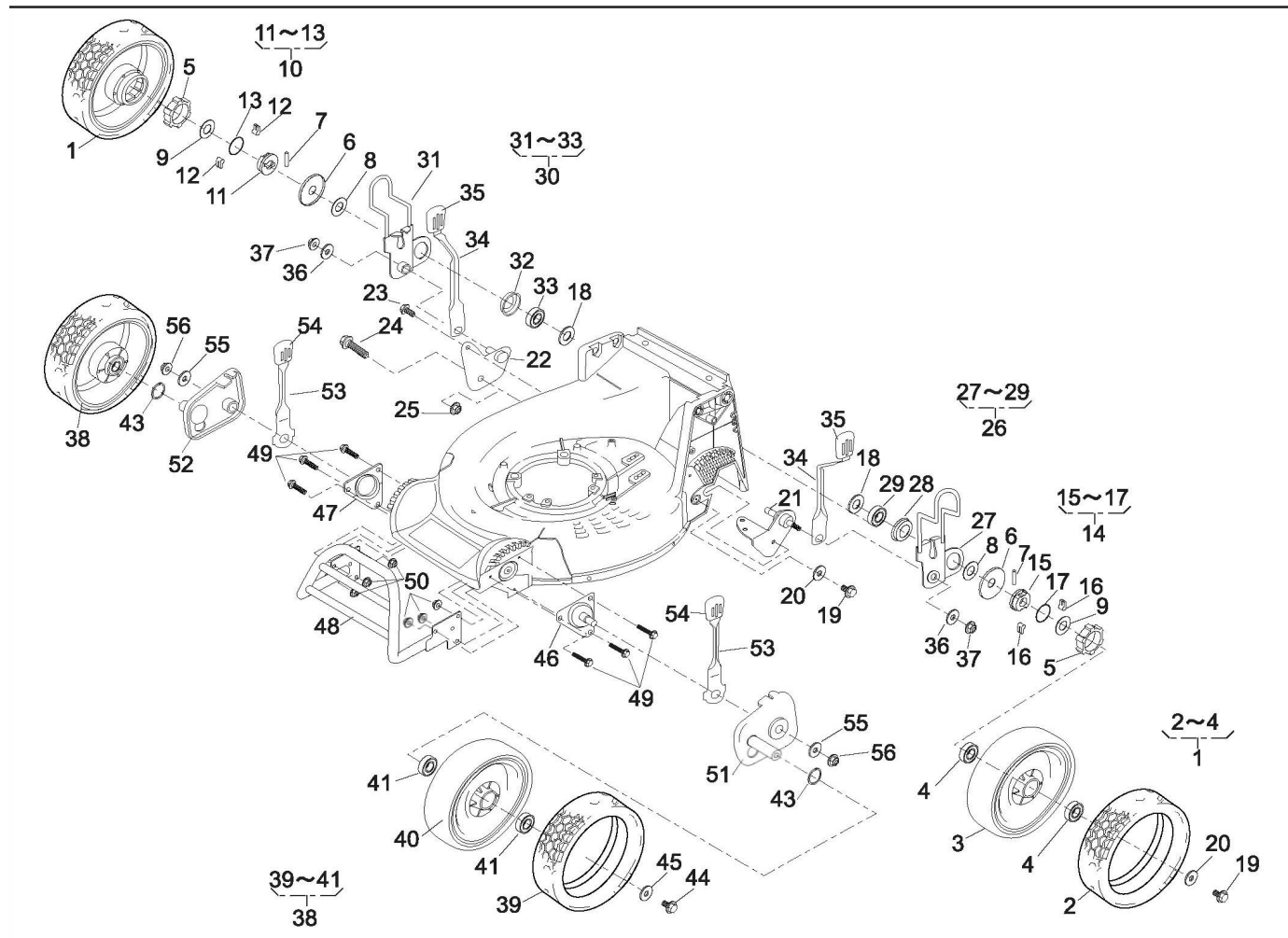
# K24- W721 PRO.HST Phase 1

## WHEELS

## ROUES

**K24-L**  
W721 PRO  
HST

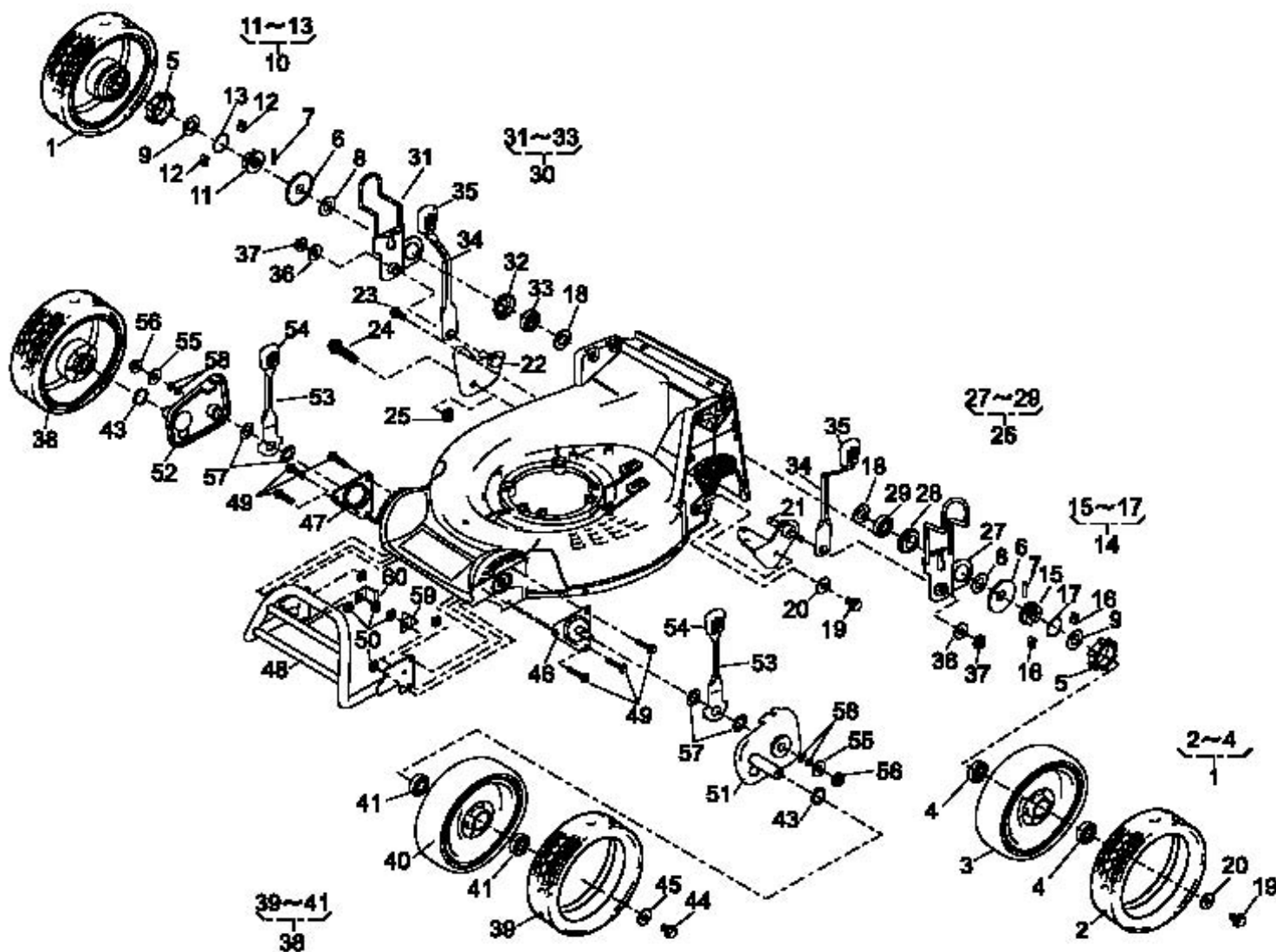
2/2



47	W21TS00195	STAY C.P.(FR)	SUPPORT AVT DR	1		
48	W21TS00196	BUMPER	PARE CHOCS	1		
49	W21TS00197	FLANGE BOLT	VIS	6		
50	W21TS00198	FLANGE NYLON NUT	ECROU	6		
51	W21TS00199	ADJUSTER(FL)	REGLAGE EXCENT.AVT GA	1		
52	W21TS00200	ADJUSTER(FR)	REGLAGE EXCENT.AVT DR	1		
53	W21TS00201	ADJUST LEVER	LEVIER DE REGLAGE	2		
54	W21TS00066	KNOB	POMMEAU DE LEVIER	2		
55	W21TS00105	PLAIN WASHER	VIS	2		
56	W21TS00088	FLANGE NYLON NUT	ECROU	2		

# K24- W721 PRO.HST Phase 2 WHEELS ROUES

K24-L  
W721 PRO  
HST





# K24- W721 PRO.HST Phase 2

## WHEELS

## ROUES

**K24-R**  
**W721 PRO**  
**HST**

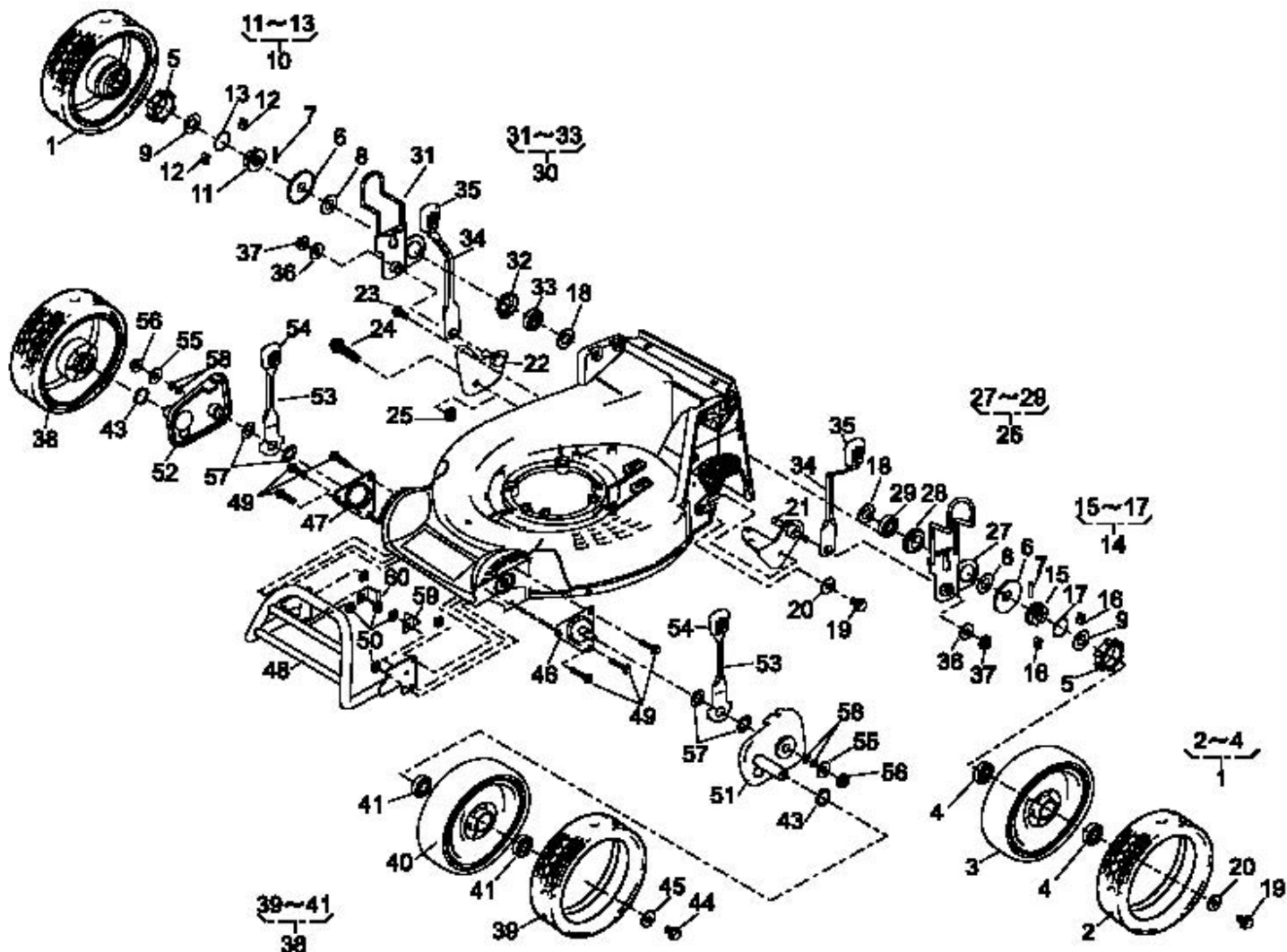
1/2

POS N	PART NUMBER REFERENCE	PART NAME	DESCRIPTION	QTY QTE	I.C.	REMARKS REMARQUE
1	W21TS00815	WHEEL ASSY(9.6"A.W.)	ENS.ROUE ARR.	2		
2	W21TS00177	TIRE	PNEU	2		
3	W21TS01162	WHEEL	JANTE	2		
4	W21TS00178	BEARING	BOUCHON	4		
5	W21TS00179	STOPPER	BUTEE	2		
6	W21TS00097	THRUST PLATE	RONDELLE	2		
7	W21TS00039	PIN	GOUPILLE	2		
8	W21TS00180	WASHER	RONDELLE	2		
9	W21TS00131	WASHER	RONDELLE	2		
10	W21TS00142	RATCHET ASSY(R)	ENS.RATCHET DR.	1		
11	W21TS00020	RATCHET	CLIQUET DE ROUE	1		
12	W21TS00041	PIN	AXE	2		
13	W21TS00120	SPRING	RESSORT	1		
14	W21TS00143	RATCHET ASSY(L)	ENS.RATCHET GA.	1		
15	W21TS00020	RATCHET	CLIQUET DE ROUE	1		
16	W21TS00041	PIN	AXE	2		
17	W21TS00120	SPRING	RESSORT	1		
18	W21TS00181	WASHER	RONDELLE	2		
19	W21TS00044	HEXAGON BOLT	VIS	2		
20	W21TS00130	WASHER	RONDELLE	2		
21	W21TS00812	STAY C.P.(RL)	SUPPORT ARR. GA	1		
22	W21TS00010	STAY C.P.(RR)	SUPPORT ARR. DR	1		
23	W21TS00061	FLANGE TAPPING BOLT	VIS	2		
24	W21TS00045	HEXAGON BOLT	VIS	2		
25	W21TS01014	FLANGE NYLON NUT	ECROU	2		
26	W21TS00816	ADJUSTER ASSY(L)	ENS. REGLAGE GA	1		
27	W21TS00185	ADJUSTER(RL)	EXCENTRIQUE ARR. GA	1		
28	W21TS00186	HOLDER	SUPPORT	1		
29	W21TS00187	BEARING	ROULEMENT	1		
30	W21TS00188	ADJUSTER ASSY(R)	ENS. REGLAGE DR	1		
31	W21TS00189	ADJUSTER(RR)	EXCENTRIQUE ARR. DR	1		
32	W21TS00186	HOLDER	ROULEMENT	1		
33	W21TS00187	BEARING	ROULEMENT	1		
34	W21TS00036	ADJUST LEVER	LEVIER REGLAGE	2		
35	W21TS00066	KNOB	POMMEAU DE LEVIER	2		
36	W21TS00105	PLAIN WASHER	RONDELLE	2		
37	W21TS00088	FLANGE NYLON NUT	ECROU	2		
38	W21TS00191	WHEEL ASSY(9.6"A.W. )	ENS. ROUE AVANT	2		
39	W21TS00177	TIRE	PNEU	2		
40	W21TS01161	WHEEL	JANTE	2		
41	W21TS00178	BEARING	ROULEMENT	4		
42			BOUCHON			
43	W21TS00193	RING	RONDELLE	2		
44	W21TS00044	HEXAGON BOLT	BOULON	2		
45	W21TS00130	WASH ER	RONDELLE	2		
46	W21TS00194	STAY C.P.(FL)	SUPPORT AVT GA	1		
47	W21TS00195	STAY C.P.(FR)	SUPPORT AVT DR	1		

# K24- W721 PRO.HST Phase 2 WHEELS ROUES

K24-L  
W721 PRO  
HST

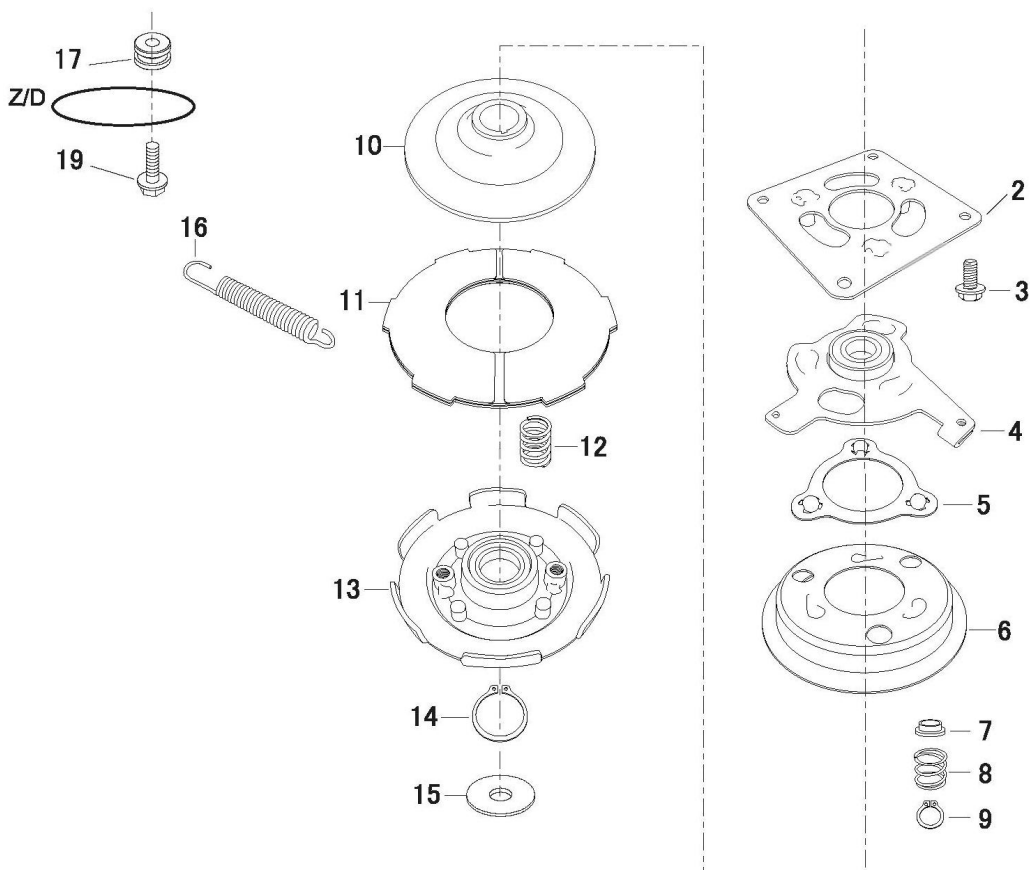
2/2



48	W21TS00196	BUMPER	PARE CHOCS	1		
49	W21TS00197	FLANGE BOLT	VIS	6		
50	W21TS00198	FLANGE NYLON NUT	ECROU	6		
51	W21TS00199	ADJUSTER(FL)	REGLAGE EXCENT.AVT GA	1		
52	W21TS00200	ADJUSTER(FR)	REGLAGE EXCENT.AVT DR	1		
53	W21TS00201	ADJUST LEVER	LEVIER DE REGLAGE	2		
54	W21TS00066	KNOB	POMMEAU DE LEVIER	2		
55	W21TS00105	WASHER	VIS	2		
56	W21TS01014	U-FLANGE NUT	ECROU	2		
57	W21TS01024	SPRING	RESSORT	4		
58		SHIM	CALE	0~4		
59	W21TS00995	STAY (LEFT)	SUPPORT GAUCHE	1		
60	W21TS00994	STAY (RIGHT)	SUPPORT DROIT	1		

# K25- W721 PRO.HST Phase 1 CLUTCH BLADE ASSY EMBAYAGE DE LAME

**K25-L**  
W721 PRO  
HST



**NOT SHOWN ON DRAWING // NE FIGURE PAS SUR LE SCHEMA**

ITEM 1	>>>>>>	W21TS00919	ITEM 2~19	BRAKE ASSY // EMBRAYAGE+FREIN DE LAME
ITEM 18	>>>>>>	W21TS00920	ITEM 10~14	ASSY BRAKE HOLDER // EMBRAYAGE

# K25- W721 PRO.HST Phase 1

## CLUTCH BLADE ASSY

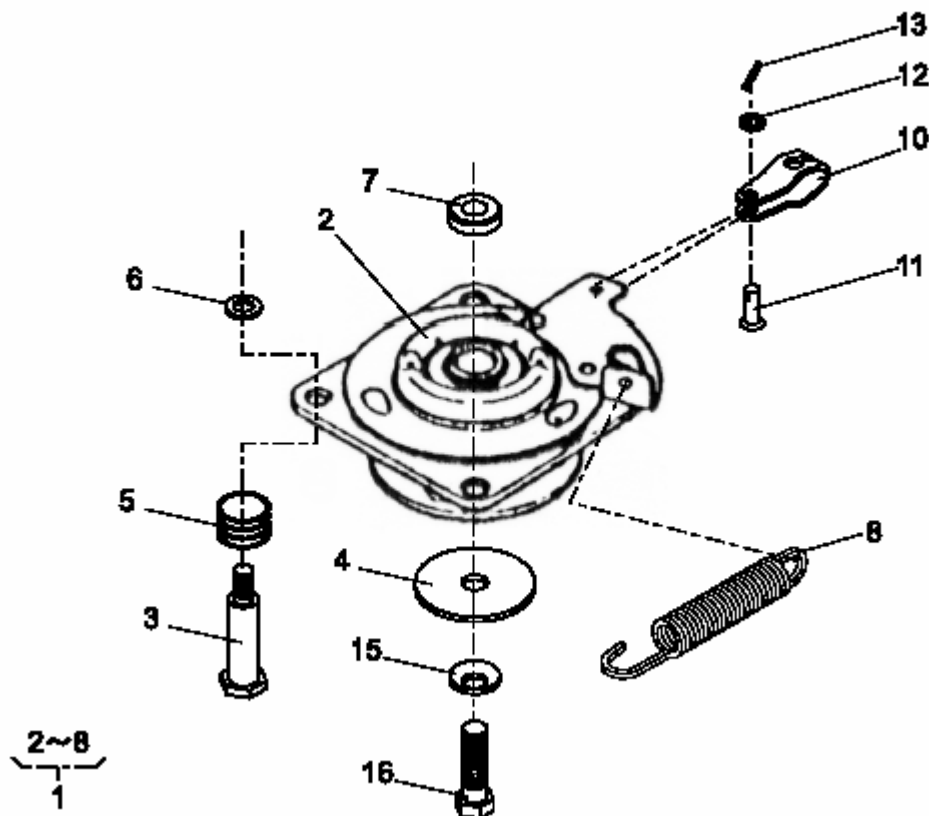
### EMBAYAGE DE LAME

**K25-R**  
**W721 PRO**  
**HST**

POS N	PART NUMBER REFERENCE	PART NAME	DESCRIPTION	QTY QTE	I.C.	REMARKS REMARQUE
1	W21TS00919	BRAKE ASSY	EMBAYAGE + FREIN DE LAME	1		ITEM N°2-19
2	W21TS00012	STAY C.P.	SUPPORT	1		
3	W21TS00044	HEXAGON BOLT	VIS	4		
4	W21TS00026	SWING ARM	BRAS COMMANDE	1		
5	W21TS00025	RETAINER	RETAINER	1		
6	W21TS00024	BRAKE DRUM	PLAQUE MOBILE	1		
7	W21TS00151	BUSH	BAGUE	3		
8	W21TS00125	SPRING	RESSORT	3		
9	W21TS00159	C-SNAP RING	ANNEAU	3		
10	W21TS00018	CLUTCH DISK	DISQUE D' EMBAYAGE	1		
11	W21TS00134	FRICTION PLATE	PLAQUE DE FRICTION	1		
12	W21TS00126	SPRING	RESSORT	4		
13	W21TS00027	BLADE HOLDER	SUPPORT DE LAME	1		
14	W21TS00162	C-SNAP RING	ANNEAU	1		
15	W21TS00132	WASHER	RONDELLE	1		
16	W21TS00127	SPRING	RESSORT DE RAPPEL	1		
17	W21TS00016	COLLAR	COLLIER	1		
18	W21TS00920		EMBAYAGE			ITEM N°10-14
19	W21TS00063	FLANGE TAPPING BOLT	VIS	1		

# K25- W721 PRO.HST Phase 2 CLUTCH BLADE ASSY EMBAYAGE DE LAME

**K25-L**  
W721 PRO  
HST

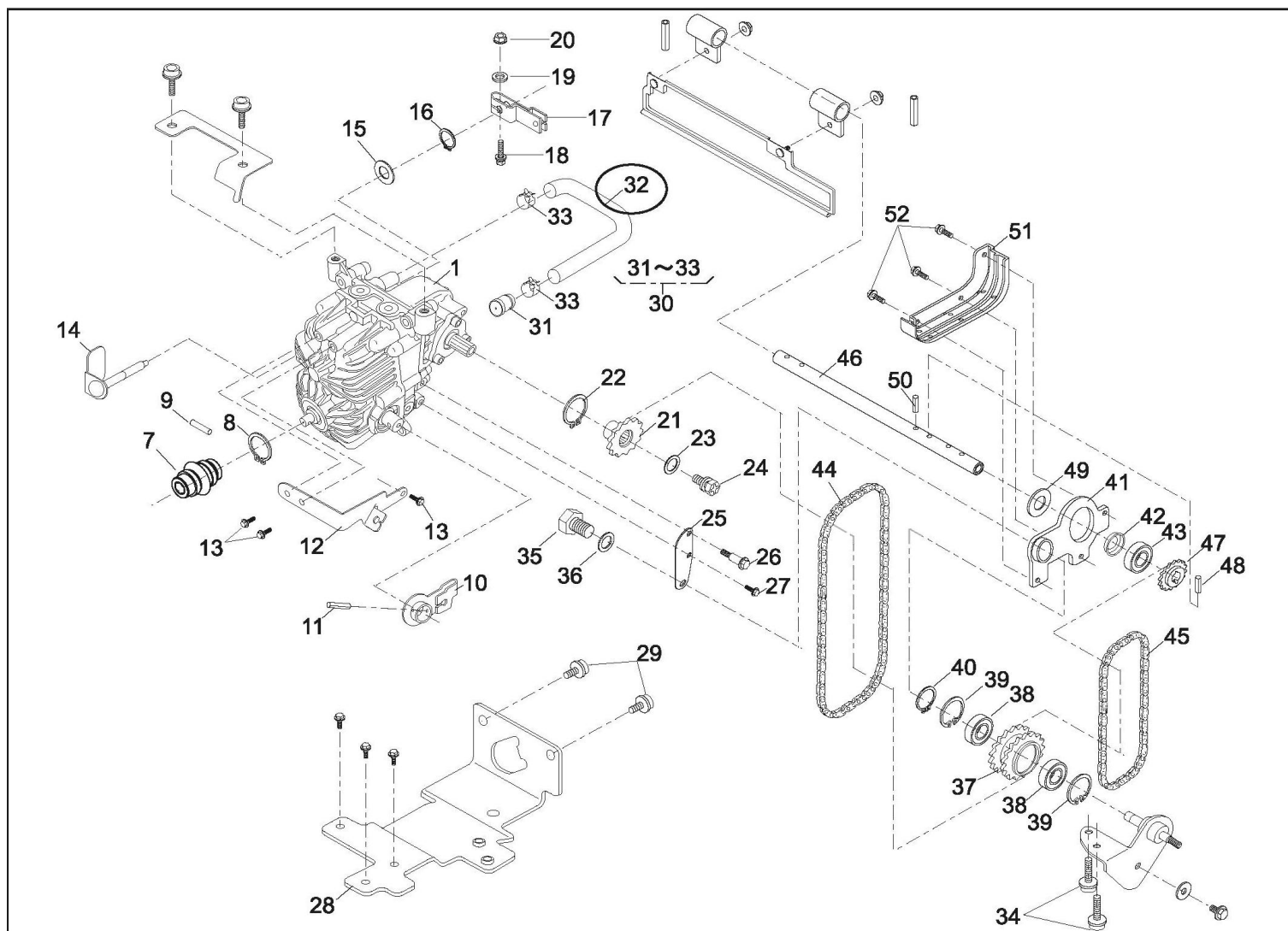


POS N	PART NUMBER REFERENCE	PART NAME	DESCRIPTION	QTY QTE	I.C.	REMARKS REMARQUE
1	W21TS01030	BRAKE SET (BBC)	EMBAYAGE COMPLET	1		
2	W21TS01029	BRAKE ASSY	EMBAYAGE + FREIN DE LAME	1		
3	W21TS01036	BOLT	VIS	4		
4	W21TS01035	WASHER	RONDELLE	1		
5	W21TS01021	SPRING	RESSORT DE RAPPEL	4		
6	W21TS01017	PLAIN WASHER	RONDELLE	4		
7	W21TS01015	SPACER	ENTRETOISE	1		
8	W21TS01022	SPRING	RESSORT	1		
9						
10	W21TS01028	JOINT	JOINTURE ETAU	1		
11	W21TS00998	GIB-HEADED PIN	AXE	1		
12	W21TS01027	WASHER	RONDELLE	1		
13	W21TS01031	SPLIT PIN	GOUPILLE	1		
14						
15	W21TS00115	SPRING WASHER	ECROU	1		
16	W21TS00999	HEXAGON BOLT	VIS HEX.	1		

# K26- W721 PRO.HST Phase 1 HST

**K26-L**  
W721 PRO  
HST

1/2



NOT SHOWN ON DRAWING // NE FIGURE PAS SUR LE SCHEMA

ITEM 6  
HST

>>>>>

W21TS00921

RETURN SPRING HST // RESSORT DE RAPPEL

# K26- W721 PRO.HST Phase 1 HST

1/2

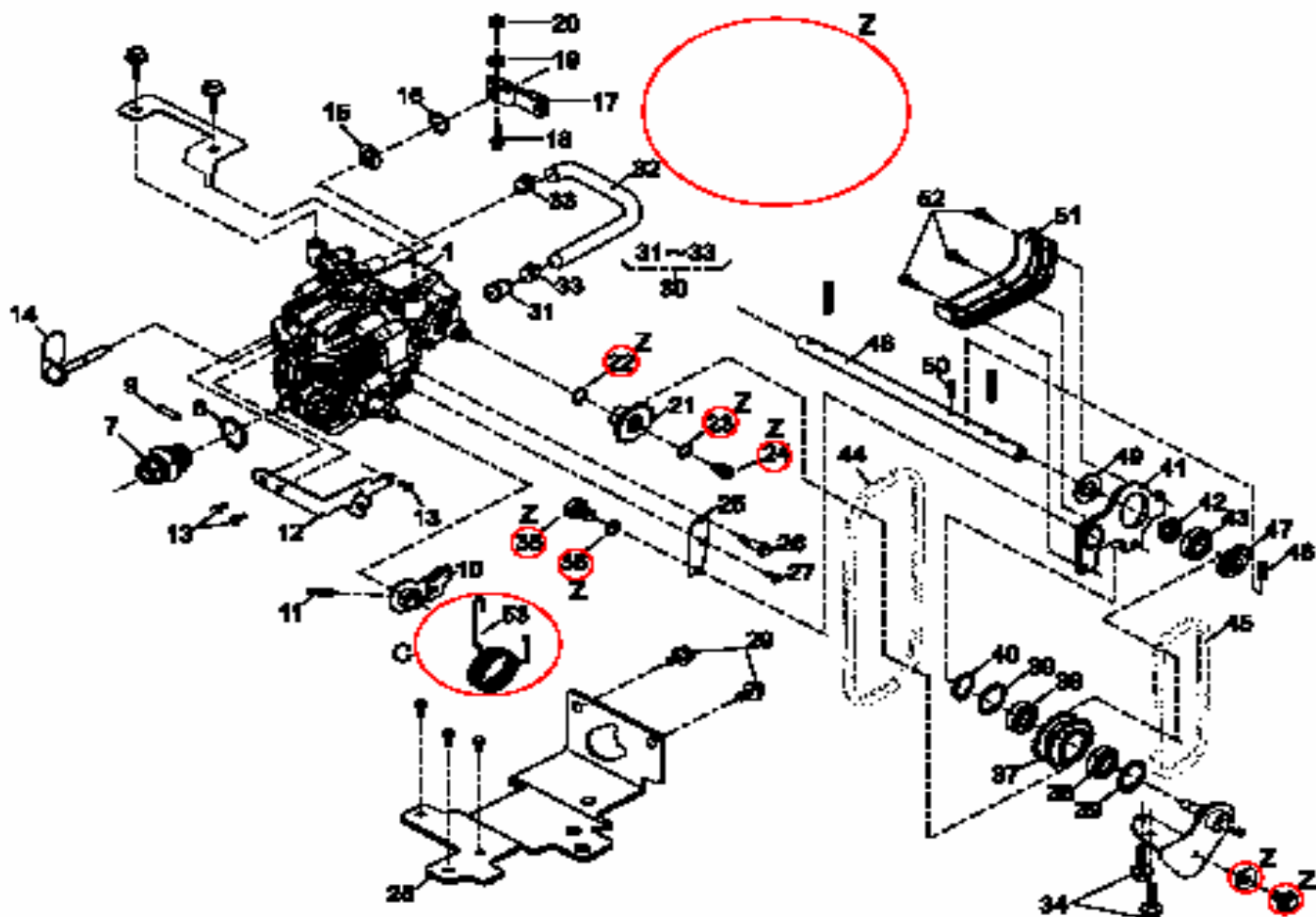
<h2>K26-R</h2> <p>W721 PRO HST</p>
--

	PART NUMBER REFERENCE	PART NAME	DESCRIPTION	QTY QTE	I.C.	REMARKS REMARQUE
1	W21TS00242	HST ASSY	ENS. HST	1		
2						
3						
4						
5						
6	W21TS00922	RETURN SPRING HST	RESSORT DE RAPPEL HST	1		NEW
7	W21TS00173	UNIVERSAL JOINT	CARDAN	1		
8	W21TS00160	C-SNAP RING	ANNEAU	1		
9	W21TS00145	PARALLEL PIN	GOUPILLE	1		
10	W21TS00243	LEVER C.P.	LEVIER	1		
11	W21TS00244	SPRING PIN	AXE DE RESSORT	1		
12	W21TS00245	WIRE HOLDER	SUPPORT DE CABLE	1		
13	W21TS00246	FLANGE BOLT	VIS	3		
14	W21TS00247	ARM C.P.	BRAS	1		
15	W21TS00133	WASHER	RONDELLE	1		
16	W21TS00274	C-SNAP RING	ANNEAU	1		
17	W21TS00022	ARM	BRAS	1		
18	W21TS00057	(+)HEXAGON BOLT	VIS	1		
19	W21TS00102	PLAIN WASHER	RONDELLE	1		
20	W21TS00089	FLANGE NUT	ECROU	1		
21	W21TS00248	SPROCKET	PIGNON	1		
22	W21TS00249	C-SNAP RING	ANNEAU	1		
23	W21TS00251	WASHER	RONDELLE	1		
24	W21TS00252	HEXAGON BOLT	VIS	1		
25	W21TS00253	STAY	SUPPORT	1		
26	W21TS00051	PRE-COAT LOCK BOLT	VIS BLOCAGE	1		
27	W21TS00246	FLANGE BOLT	VIS	1		
28	W21TS00275	BASE C.P.	BASE	1		
29	W21TS00254	SOCKET SCREW FLANGE	VIS	2		
30	W21TS00255	AIR BREATHER ASSY	ENS. FILTRE	1		
31	W21TS00256	BREATH ER	FILTRE	1		
32	W21TS00257	TUBE	TUYAU	1		
33	W21TS00258	HOSE BAND	COLLIER	2		
34	W21TS00259	SOCKET SCREW FLANGE	LOGEMENT	2		
35	W21TS00260	HEXAGON BOLT	VIS	1		
36	W21TS00261	SPRING LOCK WASHER	RONDELLE	1		
37	W21TS00262	SPROCKET	PIGNON	1		
38	W21TS00178	BEARING	ROULEMENT	2		
39	W21TS00263	C-SNAP RING	ANNEAU	2		
40	W21TS00249	C-SNAP RING	ANNEAU	1		
41	W21TS00264	TENSION ARM	BRAS DE TENSION	1		
42	W21TS00186	HOLDER	SUPPORT	1		
43	W21TS00187	BEARING	ROULEMENT	1		
44	W21TS00265	CHAIN	CHAINE	1		
45	W21TS00266	CHAIN	CHAINE	1		
46	W21TS00267	SHAFT	ARBRE	1		
47	W21TS00268	SPROCKET	PIGNON	1		
48	W21TS00039	PIN	AXE	1		
49	W21TS00181	WASHER	RONDELLE	1		
50	W21TS00212	SPRING PIN	AXE DE RESSORT	1		
51	W21TS00269	GUARD	PROTECTION	1		
52	W21TS00056	(+)HEXAGON BOLT	VIS	3		

# K26- W721 PRO.HST Phase 2 HST

K26-L  
W721 PRO  
HST

2/2



	PART NUMBER REFERENCE	PART NAME	DESCRIPTION	QTY QTE	I.C.	REMARKS REMARQUE
1	W21TS00242	HST ASSY	ENS. HST	1		
2						
3						
4						
5						
6						
7	W21TS00173	UNIVERSAL JOINT	CARDAN	1		
8	W21TS00160	C-SNAP RING	ANNEAU	1		
9	W21TS00145	PARALLEL PIN	GOUPILLE	1		
10	W21TS00243	LEVER C.P.	LEVIER	1		
11	W21TS00244	SPRING PIN	AXE DE RESSORT	1		
12	W21TS00245	WIRE HOLDER	SUPPORT DE CABLE	1		
13	W21TS00246	FLANGE BOLT	VIS	3		



# K26- W721 PRO.HST Phase 2 HST

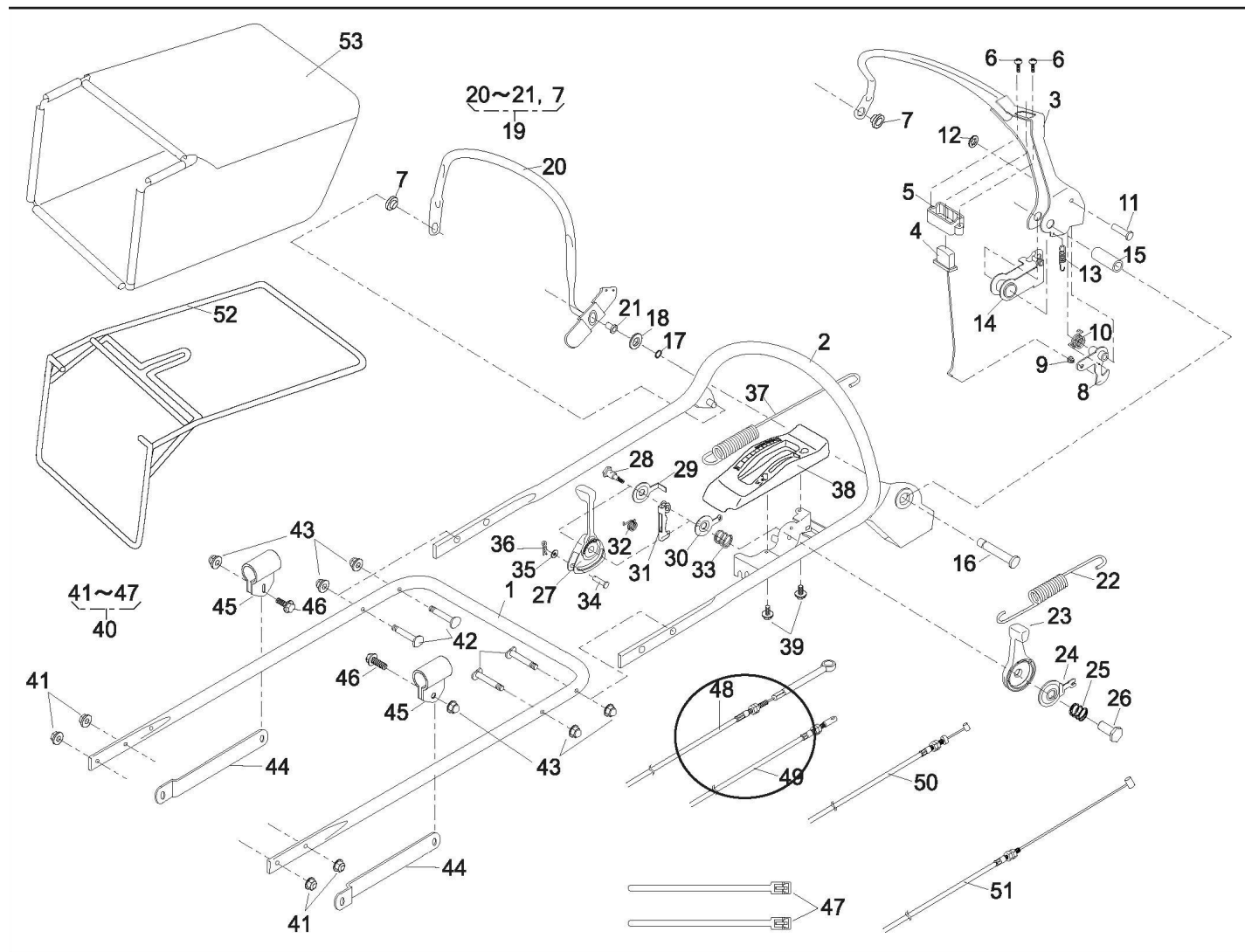
**K26-R**  
**W721 PRO**  
**HST**

2/2

	PART NUMBER REFERENCE	PART NAME	DESCRIPTION	QTY QTE	I.C.	REMARKS REMARQUE
14	W21TS00247	ARM C.P.	BRAS	1		
15	W21TS00133	WASHER	RONDELLE	1		
16	W21TS00274	C-SNAP RING	ANNEAU	1		
17	W21TS00022	ARM	BRAS	1		
18	W21TS00057	(+)HEXAGON BOLT	VIS	1		
19	W21TS00102	PLAIN WASHER	RONDELLE	1		
20	W21TS00089	FLANGE NUT	ECROU	1		
21	W21TS00248	SPROCKET	PIGNON	1		
22	W21TS00249	C-SNAP RING	ANNEAU	1		
23	W21TS00251	WASHER	RONDELLE	1		
24	W21TS00252	HEXAGON BOLT	VIS	1		
25	W21TS00253	STAY	SUPPORT	1		
26	W21TS00051	PRE-COAT LOCK BOLT	VIS BLOCAGE	1		
27	W21TS00246	FLANGE BOLT	VIS	1		
28	W21TS00275	BASE C.P.	BASE	1		
29	W21TS00254	SOCKET SCREW FLANGE	VIS	2		
30	W21TS00255	AIR BREATHER ASSY	ENS. FILTRE	1		
31	W21TS00256	BREATH ER	FILTRE	1		
32	W21TS00257	TUBE	TUYAU	1		
33	W21TS00258	HOSE BAND	COLLIER	2		
34	W21TS00259	SOCKET SCREW FLANGE	LOGEMENT	2		
35	W21TS00260	HEXAGON BOLT	VIS	1		
36	W21TS00261	SPRING LOCK WASHER	RONDELLE	1		
37	W21TS00262	SPROCKET	PIGNON	1		
38	W21TS00178	BEARING	ROULEMENT	2		
39	W21TS00263	C-SNAP RING	ANNEAU	2		
40	W21TS00249	C-SNAP RING	ANNEAU	1		
41	W21TS00264	TENSION ARM	BRAS DE TENSION	1		
42	W21TS00186	HOLDER	SUPPORT	1		
43	W21TS00187	BEARING	ROULEMENT	1		
44	W21TS00265	CHAIN	CHAINE	1		
45	W21TS00266	CHAIN	CHAINE	1		
46	W21TS00267	SHAFT	ARBRE	1		
47	W21TS00268	SPROCKET	PIGNON	1		
48	W21TS00039	PIN	AXE	1		
49	W21TS00181	WASHER	RONDELLE	1		
50	W21TS00212	SPRING PIN	AXE DE RESSORT	1		
51	W21TS00269	GUARD	PROTECTION	1		
52	W21TS00056	(+)HEXAGON BOLT	VIS	3		
53	W21TS01120	SPRING	RESSORT	1		Phase II

# K27- W721 PRO.HST Phase 1 (~31650) GRASS ATCHER/HANDLE/CABLE SAC A HERBE/GUIDON/CABLES

K27-L  
W721 PRO  
HST



# K27- W721 PRO.HST Phase 1 (~31650) GRASS CATCHER/HANDLE/CABLE SAC A HERBE/GUIDON/CABLES

**K27-R**  
W721 PRO  
HST

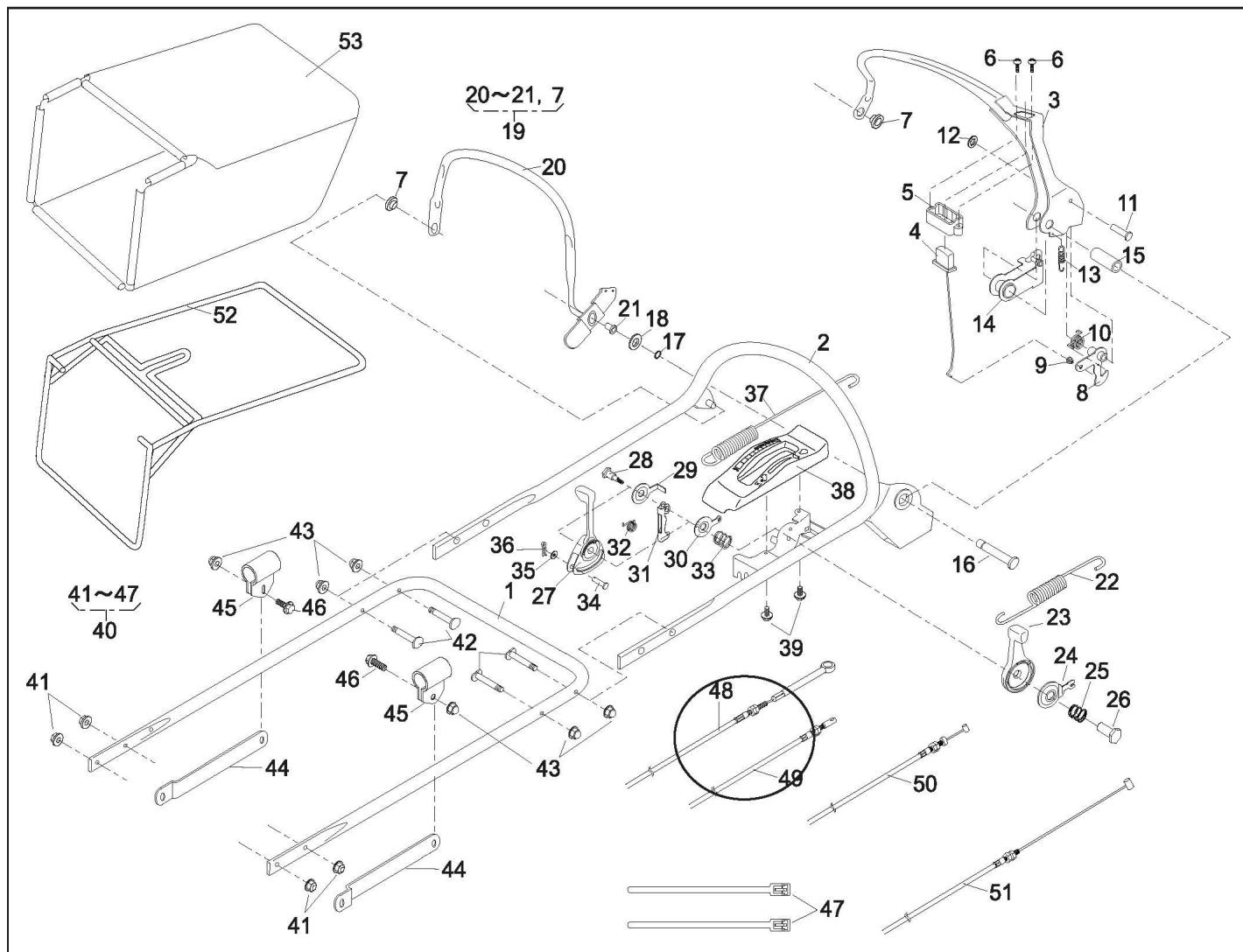
1/2

POS N	REFERENCE	PART NAME	DESCRIPTION	QTY QTE	I.C.	REMARKS REMARQU
1	W21TS00214	HANDLE	GUIDON INF	1		
2	W21TS00216	HANDLE	GUIDON SUP	1		
3	W21TS00080	LEVER C.P. (BBC)	LEVIER COMMANDE	1		
4	W21TS00074	BUTTON	BOUTON	1		
5	W21TS00083	GUIDE	GUIDE	1		
6	W21TS00075	(+)TAPPING SCREW	VIS	2		
7	W21TS00152	BUSH	BAGUE	2		
8	W21TS00136	ARM C.P.	BRAS	1		
9	W21TS00150	BUSH	BAGUE	1		
10	W21TS00123	SPRING	RESSORT	1		
11	W21TS00043	GIB-HEADED PIN	GOUPIILLE	1		
12	W21TS00091	PUSH NUT	ECROU	1		
13	W21TS00124	SPRING	RESSORT	1		
14	W21TS00028	LINK	MAILLON	1		
15	W21TS00099	SLEEVE	MANCHON	1		
16	W21TS00110	SHAFT	ARBRE	1		
17	W21TS00158	C-SNAP RING	ANNEAU	1		
18	W21TS00105	PLAIN WASHER	RONDELLE	1		
19	W21TS00144	LEVER ASS'Y	ENS LEVIER	1		
20		LEVER	LEVIER	1		
21	W21TS00149	BUSH	BAGUE	1		
22	W21TS00818	SPRING	RESSORT	1		
23	W21TS00168	THROTTLE	ACCELERATEUR	1		
24	W21TS00098	THRUST PLATE	PLAQUE BUTEE	1		
25	W21TS00122	SPRING	RESSORT	1		
26	W21TS00050	HEXAGON NUT	ECROU	1		
27	W21TS00813	LEVER(HST)	LEVIER	1		
28	W21TS00814	HEXAGON BOLT	VIS BLOPAGE	1		
29	W21TS00232	THRUST PLATE	PLAQUE DE BUTEE	1		
30	W21TS00233	SLIDE PLATE	PLAQUE GLISSIERE	1		
31	W21TS00234	LINK	MAILLON	1		
32	W21TS00235	SPRING	RESSORT	1		
33	W21TS00122	SPRING	RESSORT	1		
34	W21TS00236	GIB-HEADED PIN	AXE	1		
35	W21TS00104	PLAIN WASHER	RONDELLE	1		
36	W21TS00237	SNAP PIN	GOUPIILLE	1		
37	W21TS00238	SPRING	RESSORT	1		
38	W21TS00239	COVER ASS'Y	COUVERCLE	1		
39	W21TS00076	(+)TAPPING SCREW	VIS	2		
40	W21TS00271	BOLT SET	KIT VISSERIE	1		
41	W21TS00088	FLANGE NYLON NUT	ECROU	4		
42	W21TS00203	HEXAGON BOLT	VIS	4		
43	W21TS00183	FLANGE CAP NUT	MOLETTE	6		
44	W21TS00190	BAR SET	BARRE	1		
45	W21TS00205	HANGER BAND	SUPPORT	2		
46	W21TS00044	HEXAGON BOLT	VIS	2		
47	W21TS00129	WIRE BAND	ATTACHE FIL	2		
48	W21TS00240	CONTROL CABLE	CABLE DE CONTROLE	1		
49	W21TS00241	CONTROL CABLE	CABLE DE CONTROLE	1		

# K27- W721 PRO.HST Phase 1 (~31650) GRASS CATCHER/HANDLE/CABLE SAC A HERBE/GUIDON/CABLES

**K27-L**  
W721 PRO  
HST

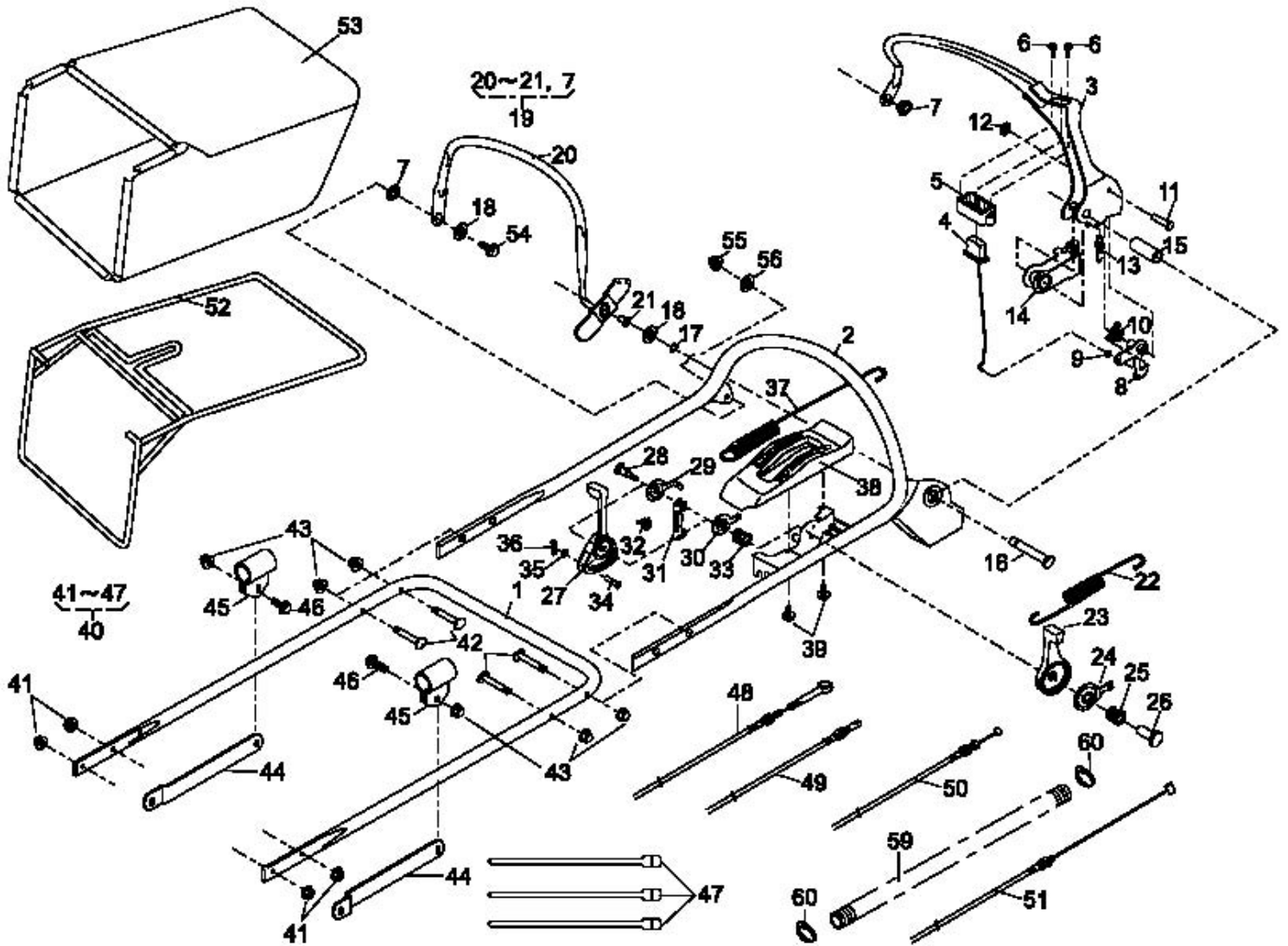
2/2



50	W21TS00164	THROTTLE WIRE (FC180V)	CABLE D'ACCELERATEUR	1		
51	W21TS00166	CONTROL CABLE BBC	CABLE FREIN LAME	1		
52	W21TS00014	FRAME C.P.	CHASSIS DE BAC	1		
53	W21TS00073	GRASS BAG C.P.(KUBOTA)	SAC A HERBE	1		

# K27- W721 PRO.HST Phase 2 (31651~) GRASS CATCHER/HANDLE/CABLE SAC A HERBE/GUIDON/CABLES

K27-L  
W721 PRO  
HST



# K27- W721 PRO.HST Phase 2 (31651~) GRASS CATCHER/HANDLE/CABLE SAC A HERBE/GUIDON/CABLES

**K27-R**  
W721 PRO  
HST

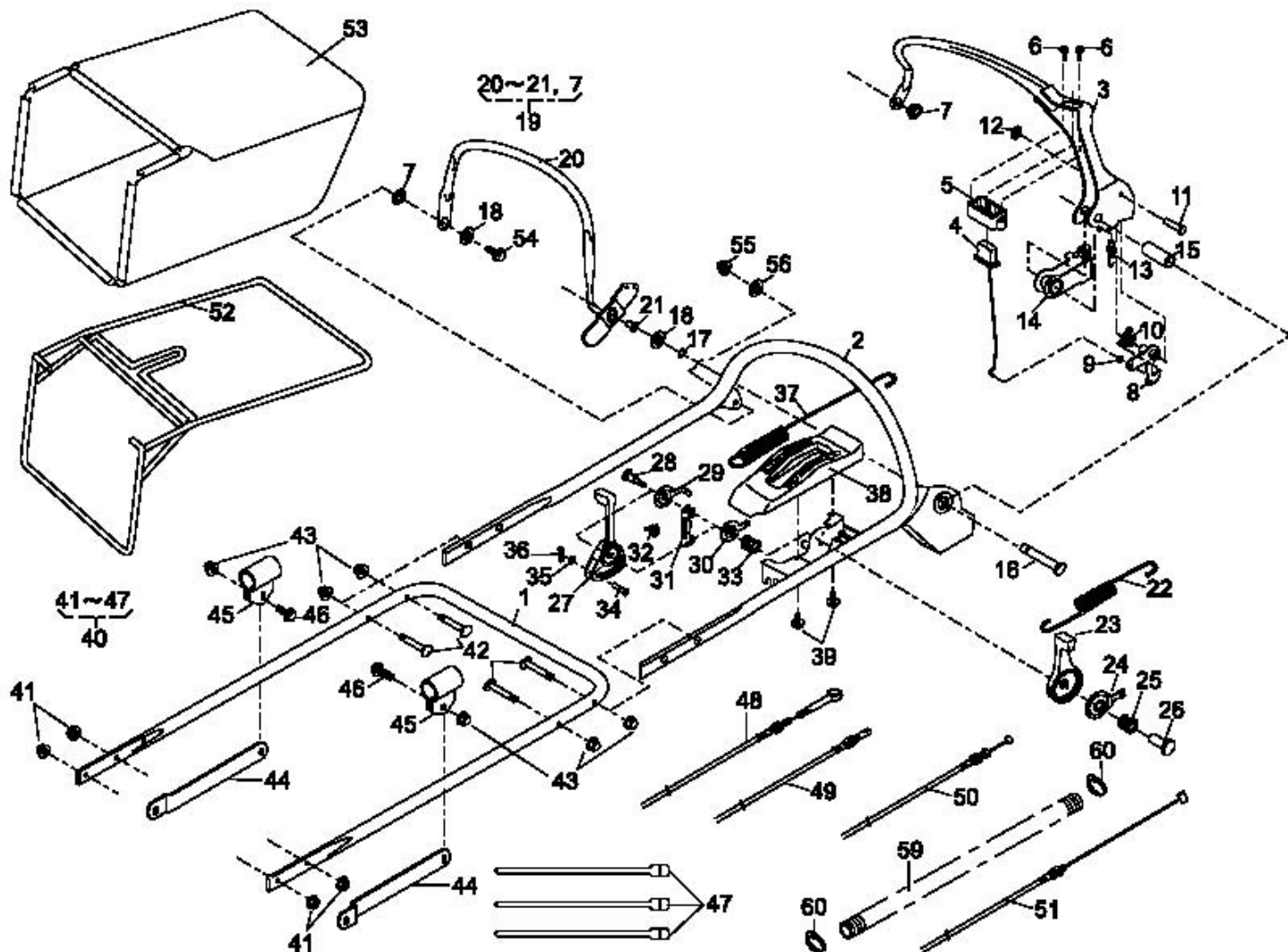
1/2

POS N	PART NUMBER REFERENCE	PART NAME	DESCRIPTION	QTY QTE	I.C.	REMARKS REMARQUE
1	W21TS00214	HANDLE	GUIDON INF.	1		
2	W21TS01010	HANDLE	GUIDON SUP.	1		
3	W21TS00080	LEVER C.P. (BBC)	LEVIER COMMANDE	1		
4	W21TS00074	BUTTON	BOUTON	1		
5	W21TS00083	GUIDE	GUIDE	1		
6	W21TS00075	(+)TAPPING SCREW	VIS	2		
7	W21TS00152	BUSH	BAGUE	2		
8	W21TS00136	ARM C.P.	BRAS	1		
9	W21TS00150	BUSH	BAGUE	1		
10	W21TS00123	SPRING	RESSORT	1		
11	W21TS00043	GIB-HEADED PIN	GOUPILLE	1		
12	W21TS00091	PUSH NUT	ECROU	1		
13	W21TS00124	SPRING	RESSORT	1		
14	W21TS00028	LINK	MAILLON	1		
15	W21TS00099	SLEEVE	MANCHON	1		
16	W21TS00110	SHAFT	ARBRE	1		
17	W21TS00158	C-SNAP RING FOR SHAFT	ANNEAU	1		
18	W21TS00105	PLAIN WASHER	RONDELLE	1		
19	W21TS00144	LEVER ASSY	ENS. LEVIER	1		
20		LEVER	LEVIER	1		
21	W21TS00149	BUSH	BAGUE	1		
22	W21TS00128	SPRING	RESSORT	1		
23	W21TS00168	THROTTLE	ACCELERATEUR	1		
24	W21TS00098	THRUST PLATE	PLAQUE BUTEE	1		
25	W21TS00122	SPRING	RESSORT	1		
26	W21TS00050	HEXAGON NUT	ECROU	1		
27	W21TS00017	LEVER	LEVIER	1		
28	W21TS00051	PRE-COAT LOCK BOLT	VIS BLOCAGE	1		
29						
30						
31						
32						
33						
34						
35						
36						
37	W21TS00118	SPRING	RESSORT	1		
38	W21TS00146	COVER ASSY	COUVERCLE	1		
39	W21TS00076	(+)TAPPING SCREW	VIS	2		
40	W21TS00271	BOLT SET	KIT VISSERIE	1		
41	W21TS00088	FLANGE NYLON NUT	ECROU	4		
42	W21TS00203	HEXAGON BOLT	VIS	4		
43	W21TS00183	FLANGE CAP NUT	MOLETTE	6		
44	W21TS00190	BAR SET	BARRE	1		

# K27- W721 PRO.HST Phase 2 (31651~) GRASS CATCHER/HANDLE/CABLE SAC A HERBE/GUIDON/CABLES

**K27-L**  
W721 PRO  
HST

2/2



45	W21TS00205	HANGER BAND	SUPPORT	2		
46	W21TS00044	HEXAGON BOLT	VIS HEX.	2		
47	W21TS01025	WIRE BAND	ATTACHE FIL	3		
48	W21TS00240	CONTROL CABLE	CABLE DE CONTROLE	1		
49	W21TS00241	CONTROL CABLE	CABLE DE CONTROLE	1		
50	W21TS00164	THROTTLE WIRE (FC180V)	CABLE D'ACCELERATEUR	1		
51	W21TS01033	CONTROL CABLE	CABLE D'AVANCEMENT	1		
52	W21TS00014	FRAME C.P.	CHASSIS DE BAC	1		
53	W21TS00073	GRASS BAG C.P.(KUBOTA)	SAC A HERBE	1		
54	W21TS01000	HEXAGON BOLT	VIS HEX.			
55						
56						
57						
58						
59	W21TS01007	TUBE (15.6x800L)	TUBE (15.6x800L)	1		
60	W21TS01026	WIRE BAND	ATTACHE FIL	2		

Kubota

Kubota

## **GEANT DES NECESSITES FONDAMENTALES**

"La Technologie pour les Besoins de Demain" est l'ambition de chacun CHEZ KUBOTA. A travers la recherche et le développement de nouveaux produits pour l'Agriculture, l'Industrie, la Construction et plusieurs autres domaines de la vie moderne, Nous KUBOTA, espérons atteindre ce but.

## **THE BASIC NECESSITIES GIANT**

"Technology for the Needs of Tomorrow" is the ambition of everyone at KUBOTA. Through research and the development of new products for agriculture, industry, construction, and many other areas of modern life, we at Kubota hope to realize this goal.

IMPRIME EN FRANCE  
PRINTED IN FRANCE