

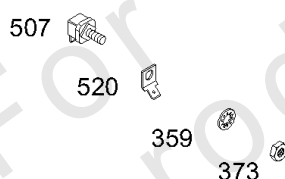
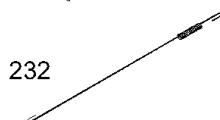
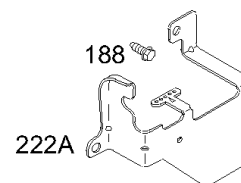
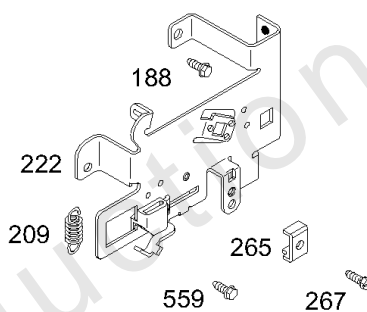
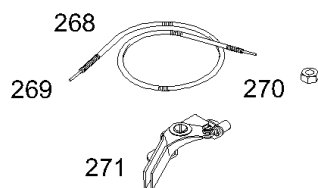
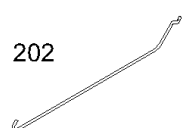
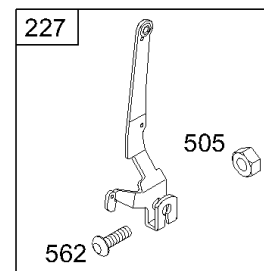
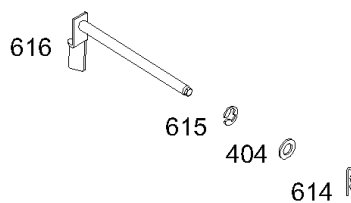
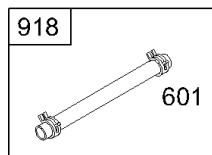
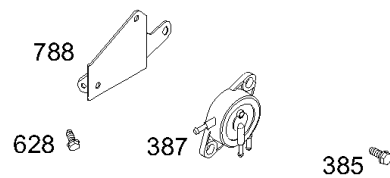
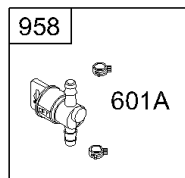
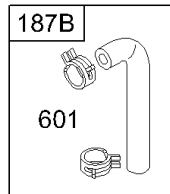
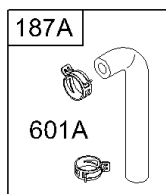
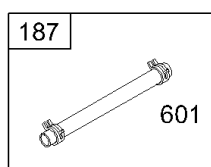


Parts Manual

Mfg. No: 287707-1255-E1

Model Components	Page
Blower Housing, Controls, Fuel Pump.....	4
Carburetor, Overhaul Kits.....	8
Cylinder, Piston/Ring, Crankshaft, Sump, Kits.....	14
Electric Starter, Alternator, Magneto.....	20
Head, Valve Gaskets, Oil Filter, Dipstick.....	24
Muffler, Air Cleaner.....	28
Replacement Engine.....	30
Rewind Starter/Fan, Flywheel.....	31

Not For
In Reproduction

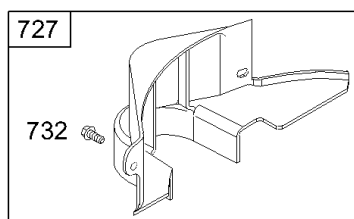
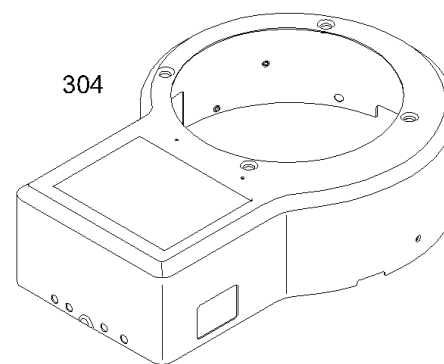
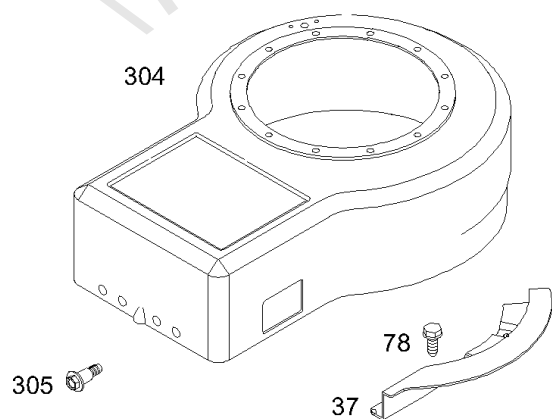


1036 EMISSION LABEL

1019 LABEL KIT

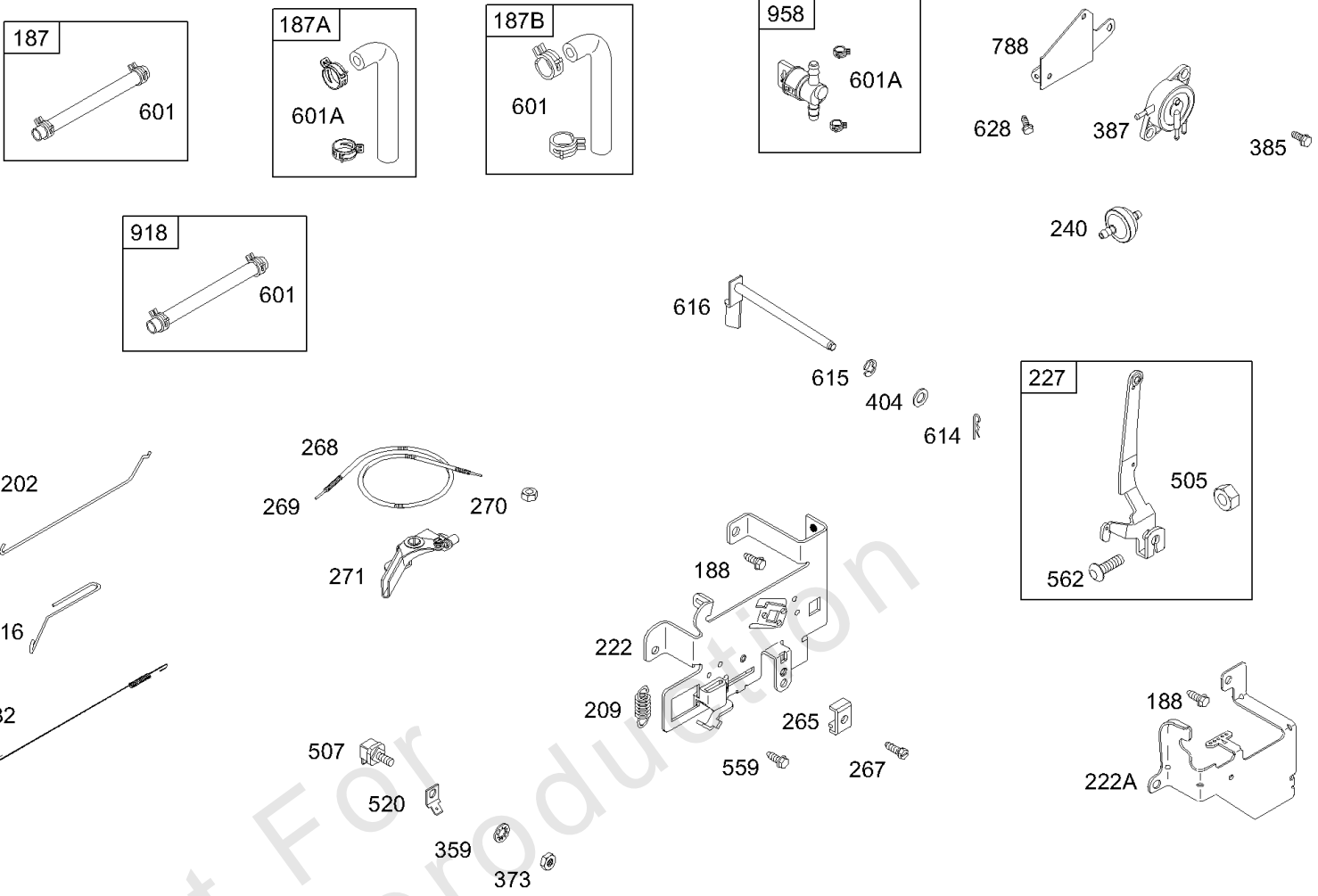
SMALL FAN

LARGE FAN



Blower Housing, Controls, Fuel Pump

REF NO	PART NO	QTY	DESCRIPTION
37	690456		GUARD, Flywheel
78	697561		SCREW -(Flywheel Guard)
187	691050		LINE, Fuel -(Cut To Required Length)
187A	698417		LINE, Fuel -(Formed)(10-1/4 Inches)(Cut to Required Length)
187A	697907		LINE, Fuel -(Formed)(9-5/8 Inches)(Cut To Required Length)
187B	698600		LINE, Fuel -(Formed)(9 Inches)
188	691693		SCREW -(Control Bracket)
202	691841		LINK, Mechanical Governor
209	692208		SPRING, Governor -(Green)
216	691840		LINK, Choke
222	694042		BRACKET, Control
227	691374		LEVER, Governor Control
232	691842		SPRING, Governor Link
240	298090S		FILTER, Fuel -(Red)
240	394358S		FILTER, Fuel -(White)
265	691024		CLAMP, Casing
267	690804		SCREW -(Casing Clamp) (5/8)
267	695134		SCREW -(Casing Clamp) (TORX HEAD)
268	691025		CASING, Control Wire -(Cut To Required Length)
269	691026		WIRE, Control -(Cut To Required Length)
270	691027		NUT -(Control Wire Casing)
271	691028		LEVER, Control
304	690844		HOUSING, Blower -(RED)(LARGE FAN)
304	690845		HOUSING, Blower -(BLACK)(LARGE FAN)
305	691108		SCREW -(Blower Housing) (19/32" Long)
305	692127		SCREW -(Blower Housing) (13/16)
359	691077		WASHER -(Ground Terminal)
373	691612		NUT -(Ground Terminal)
385	691108		SCREW -(Fuel Pump)
387	808656		PUMP, Fuel
404	691691		WASHER -(Governor Crank)
505	691251		NUT -(Governor Control Lever)
507	691972		INSULATOR
520	691084		TERMINAL, Ground
559	697561		SCREW -(Remote Choke Stop) (#8-32)

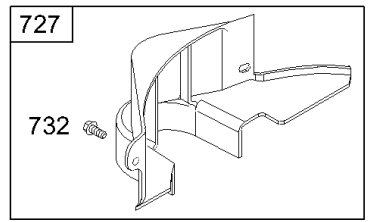
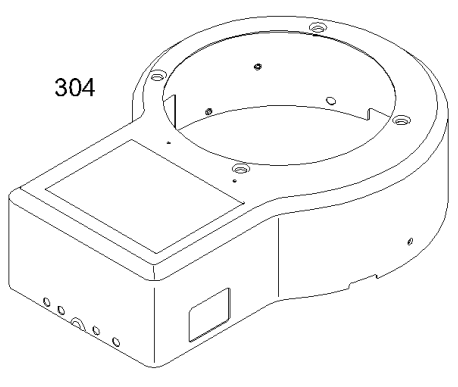
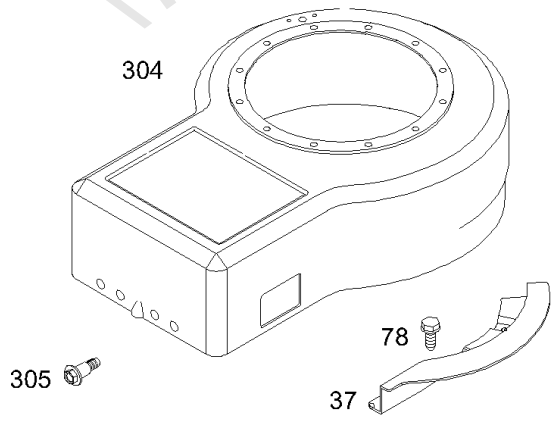


1036 EMISSION LABEL

1019 LABEL KIT

SMALL FAN

LARGE FAN

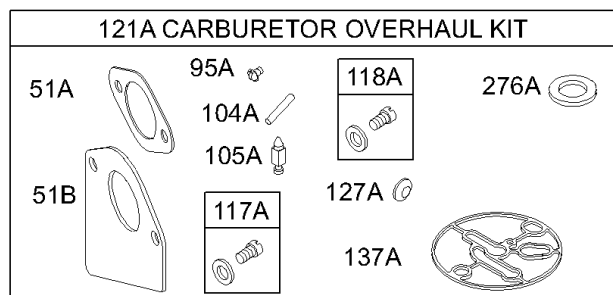
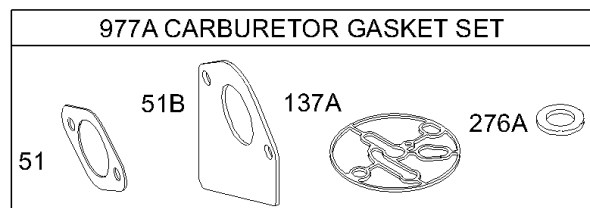
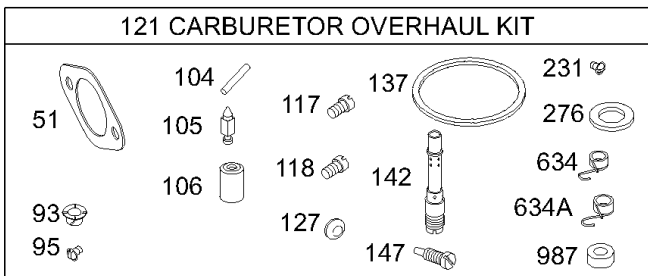
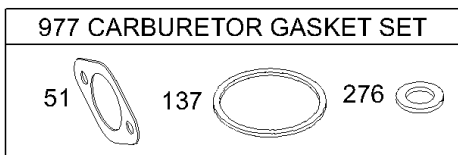
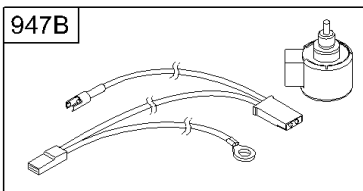
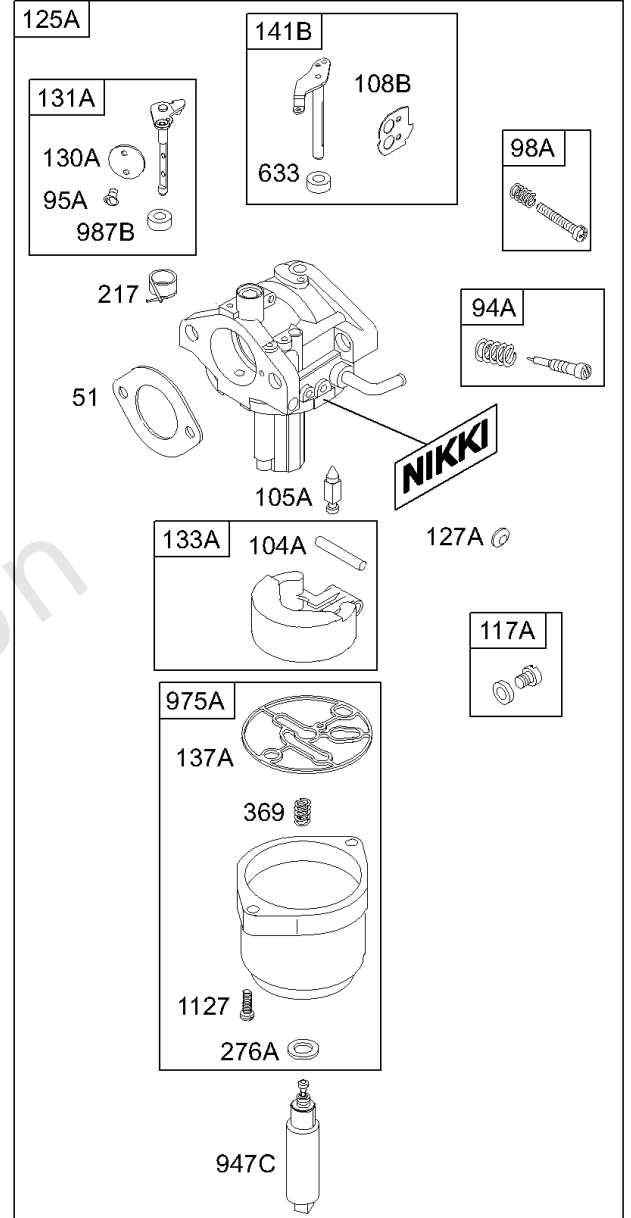
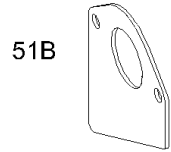
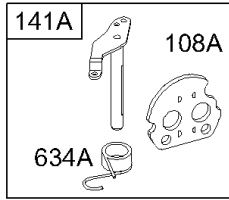
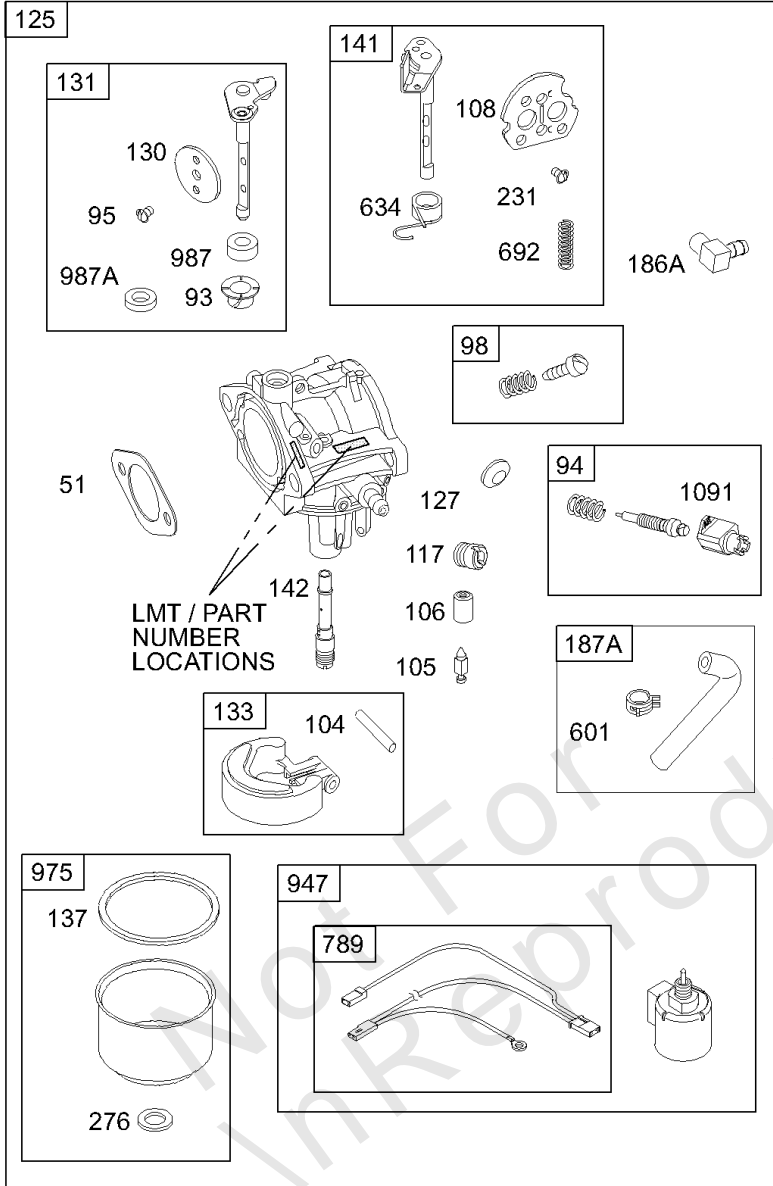


Blower Housing, Controls, Fuel Pump

REF NO	PART NO	QTY	DESCRIPTION
559	690661		SCREW -(Remote Choke Stop) (#8-18)
562	92613		BOLT -(Governor Lever)
601	95162S		CLAMP, Hose
601A	691038		CLAMP, Hose -(Black)
614	691620		PIN, Cotter
615	93307		RETAINER, Governor Shaft
616	692012		CRANK, Governor
628	692198		SCREW -(Fuel Pump Bracket)
727	490324		COVER, Starter Drive -(Includes Mounting Hardware)
732	691002		SCREW -(Starter Drive Cover)
788	690458		BRACKET, Fuel Pump
918	393815		HOSE, Vacuum -(Cylinder To Impulse Pump)(Cut to Required Length)
958	698183		VALVE, Fuel Shut Off -(Plastic)
1019	496758		KIT, Label
1036	694318		LABEL, Emissions -Used After Code Date 98123100 -Used Before Code Date 99100100
1036	694997		LABEL, Emissions -Used After Code Date 99093000 -Used Before Code Date 00070100
1036	499363		LABEL, Emissions -Used Before Code Date 97052600
1036	499364		LABEL, Emissions -Used After Code Date 97052500 -Used Before Code Date 99010100
1036	695700		LABEL, Emissions -Used After Code Date 00063000

WALBRO

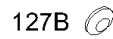
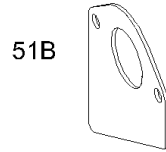
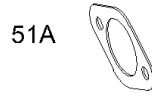
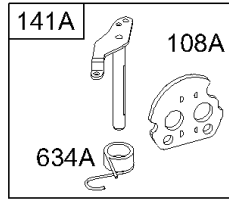
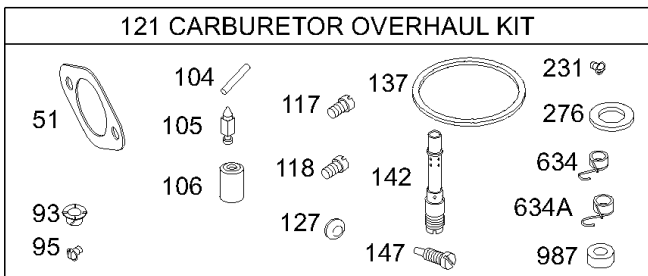
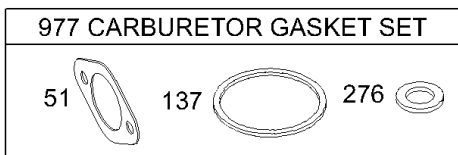
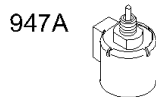
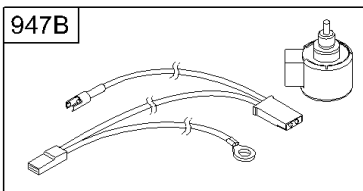
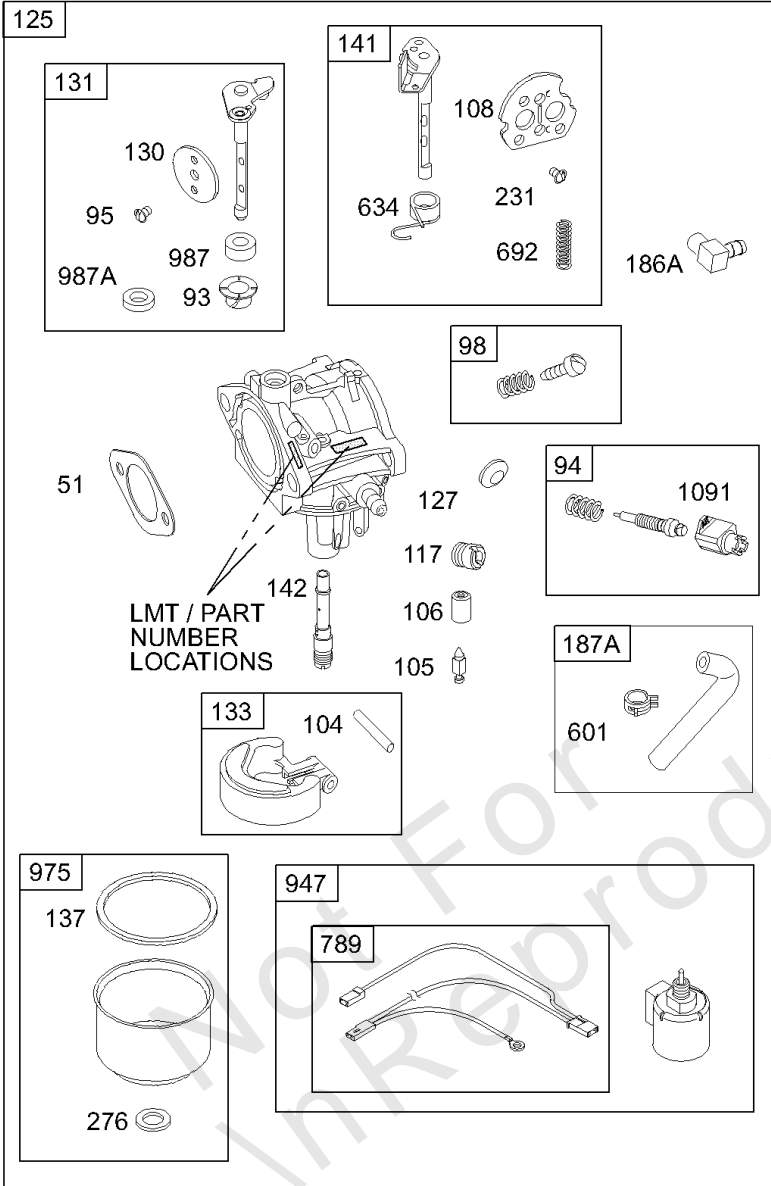
NIKKI



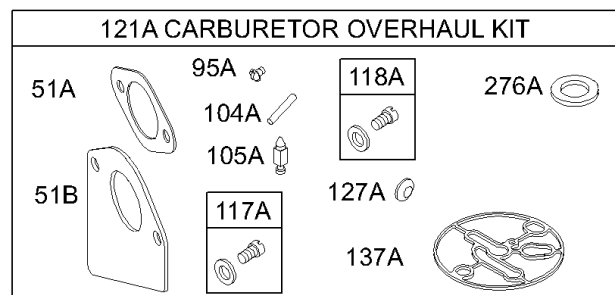
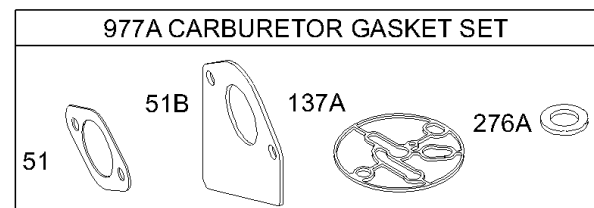
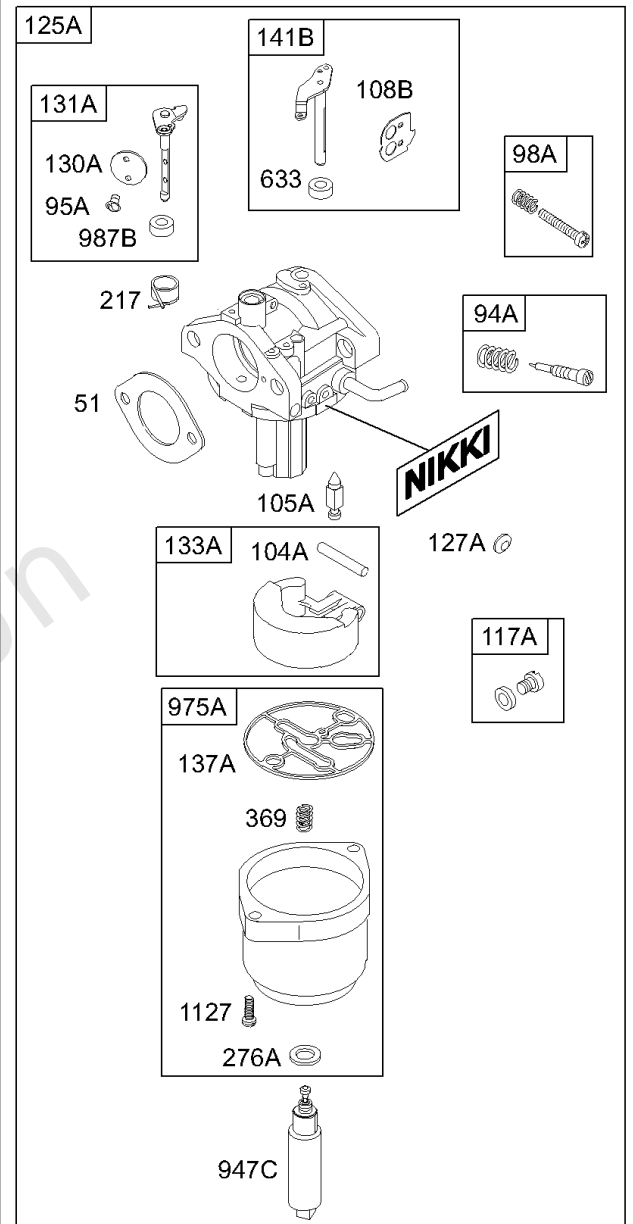
Carburetor, Overhaul Kits

REF NO	PART NO	QTY	DESCRIPTION
51	692137		GASKET, Intake
51A	272569S		GASKET, Intake
51B	692284		GASKET, Intake
93	690602		BUSHING, Throttle Shaft
94	498032		KIT, Idle Mixture -(LMT 130, 137, 138)
94	498030		KIT, Idle Mixture -(Lmt 153154,155,156)
94A	495932		VALVE, Idle Mixture -(LMT 73, 74, 75, 76, 121, 122, 123, 124, 153, 154, 155, 156)
95	691636		SCREW -(Throttle Valve)
95A	690718		SCREW -(Throttle Valve)
98	495800		KIT, Idle Speed -(Idle Speed) (Lmt 54, 55, 91)
98A	695408		KIT, Idle Speed
104	690525		PIN, Float Hinge
104A	694918		PIN, Float Hinge
105	231855S		VALVE, Float Needle
105A	694922		VALVE, Float Needle
106	690577		SEAT, Inlet -(Gravity Feed)
106	691780		SEAT, Inlet -(Pump Feed)
108	690464		VALVE, Choke -(Manual Choke)
108A	692344		VALVE, Choke -(Choke A Matic)
108B	695419		VALVE, Choke
117	692408		JET, Main -(Standard) (LMT 149, 150, 152, 153, 154, 155, 156, 697480, 697481, 697482, 697483)
117	697228		JET, Main -(Standard) (LMT 33, 34, 73, 74, 76, 121, 122, 130, 137, 138)
117A	695415		JET, Main -(Standard) (Standard)
118	231850		JET, Main -(High Altitude) (LMT 33, 34, 73, 74, 76, 121, 122, 130, 137, 138)
118	692411		JET, Main -(High Altitude) (LMT 149, 150, 152, 153, 154, 155, 156, 697480, 697481, 697482, 697483)
118A	695416		JET, Main -(High Altitude) (Nikki Carburetor)
121	499233		KIT, Carburetor Overhaul -Used After Code Date 96072500 -Used Before Code Date 97100600
121	690191		KIT, Carburetor Overhaul -Used After Code Date 97100500
121	498116		KIT, Carburetor Overhaul -Used Before Code Date 96072600
121A	695427		KIT, Carburetor Overhaul
125	698620		CARBURETOR -(Gravity Feed)
125A	-----		Carburetor -(Nikki Carburetor, Service With Walbro Carburetor) -Used After Code Date 02091500
125A	-----		Carburetor -(Nikki Carburetor, Service With Walbro Carburetor) -Used Before Code Date 02091600

WALBRO



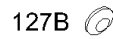
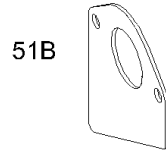
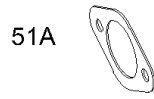
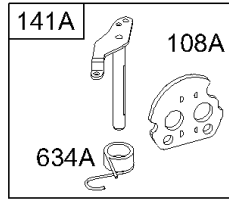
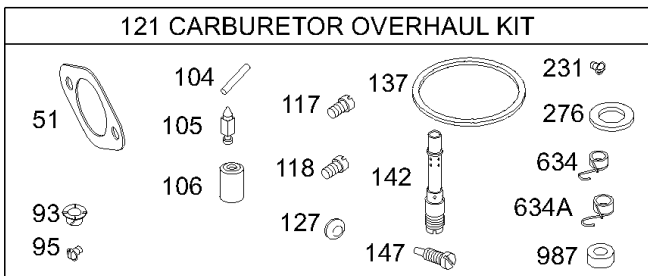
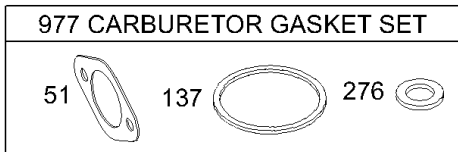
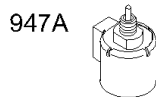
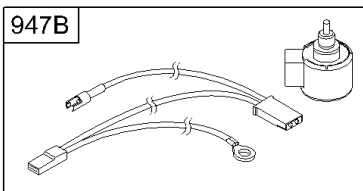
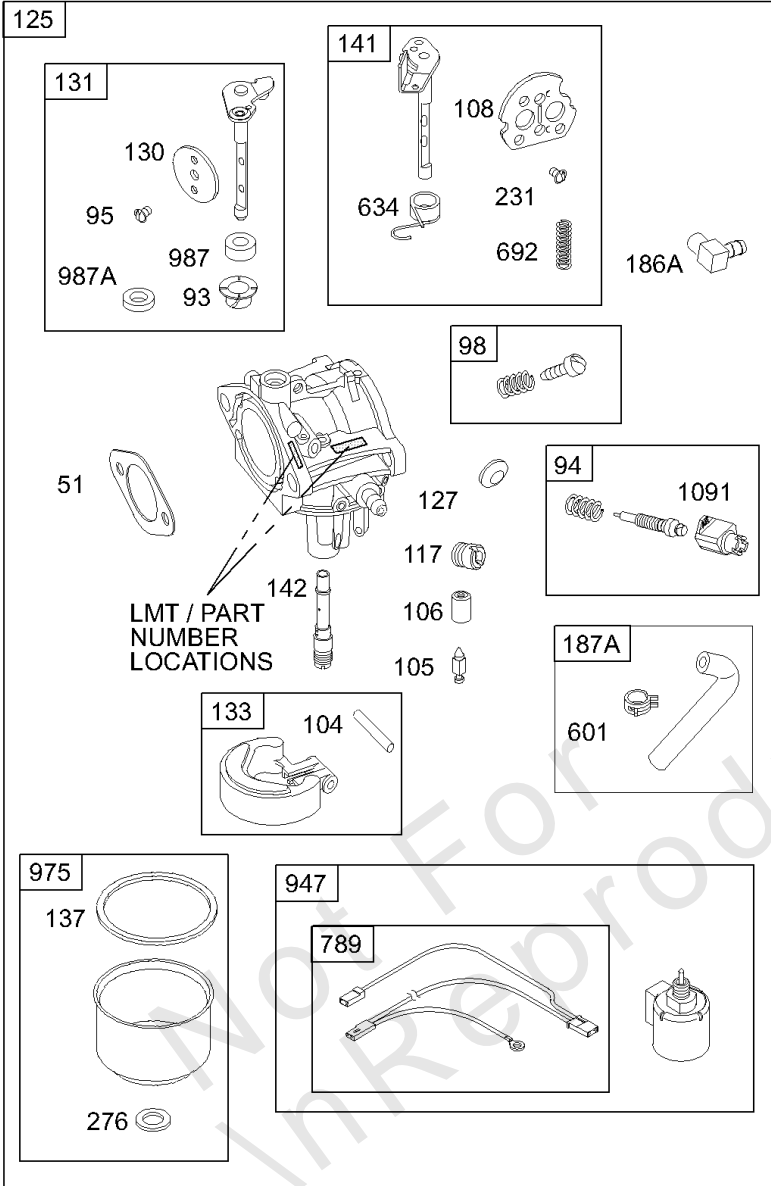
NIKKI



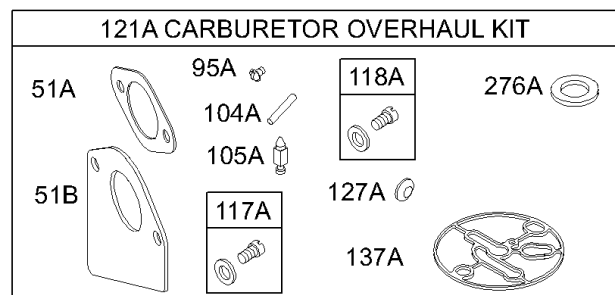
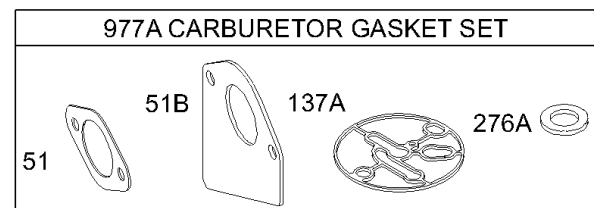
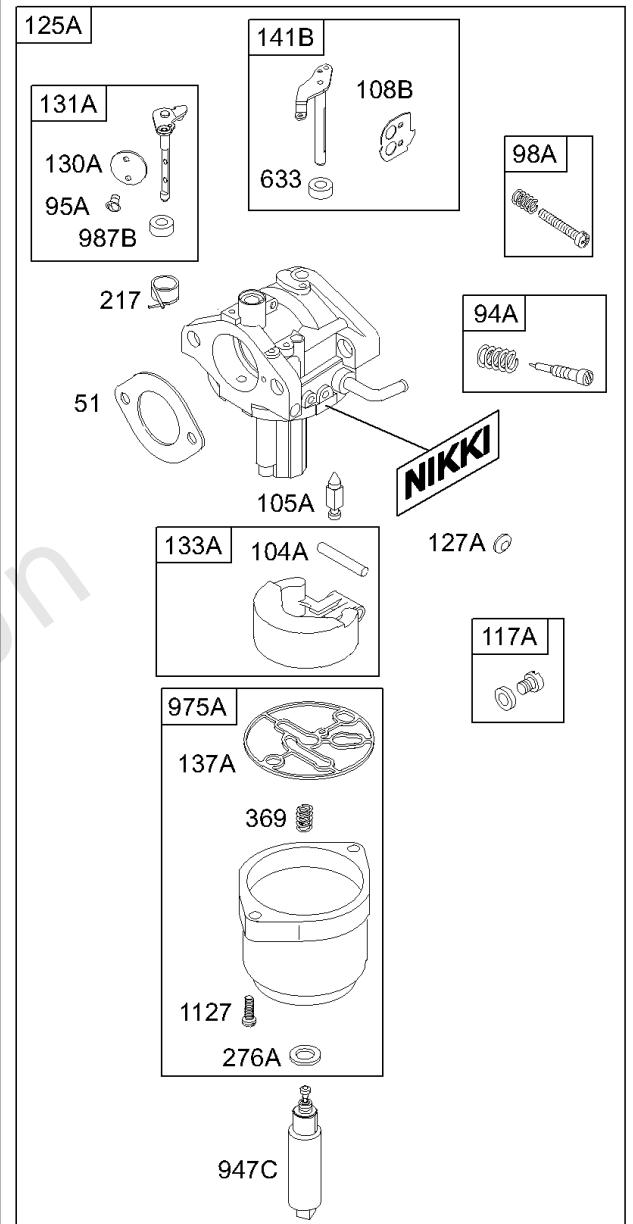
Carburetor, Overhaul Kits

REF NO	PART NO	QTY	DESCRIPTION
127	695005		PLUG, Welch
127A	690727		PLUG, Welch
127B	694530		PLUG, Welch -(LMT 153, 154, 155)
130	691750		VALVE, Throttle
130A	695418		VALVE, Throttle
131	494379		KIT, Throttle Shaft
131A	695421		KIT, Throttle Shaft
133	494381		FLOAT, Carburetor
133A	694914		FLOAT, Carburetor
137	281165S		GASKET, Float Bowl
137A	695426		GASKET, Float Bowl
141	495097		KIT, Choke Shaft -(Manual Choke)
141A	495931		KIT, Choke Shaft -(Choke A Matic)
141B	695420		KIT, Choke Shaft
142	692412		NOZZLE, Carburetor -(Standard) (LMT 149, 150, 152, 153, 154, 155, 156, 697480, 697481, 697482, 697483)
142	231990		NOZZLE, Carburetor -(Standard)
147	231985		JET, Pilot -(LMT 73, 74, 121, 122, 125, 129, 130, 131, 132, 137, 138)
147	497472		JET, Pilot -(LMT 33, 34)
186A	692317		CONNECTOR, Hose -(Carburetor)
187A	698417		LINE, Fuel -(Formed)(10-1/4 Inches)(Cut to Required Length)
187A	697907		LINE, Fuel -(Formed)(9-5/8 Inches)(Cut To Required Length)
217	695409		SPRING, Choke Return
231	691636		SCREW -(Choke Valve)
276	692255		WASHER, Sealing -(Float Bowl)
276A	695410		WASHER, Sealing -(Float Bowl)
369	695422		SPRING, Float Bowl
601	95162S		CLAMP, Hose
633	695414		SEAL, Choke/Throttle Shaft
634	690801		SPRING/SEAL ASSEMBLY -(Manual Choke)
634A	690802		SPRING/SEAL ASSEMBLY -(Choke A Matic)
692	690572		SPRING, Detent
729	691335		CLIP, Wire -(Wiring Harness/Solenoid)
789	692037		HARNESS, Wiring -(Fuel Solenoid)
947	692734		SOLENOID, Fuel
947B	497672		SOLENOID, Fuel
947C	695423		SOLENOID, Fuel
975	495933		BOWL, Float -(Float Bowl)
975A	695417		BOWL, Float

WALBRO



NIKKI



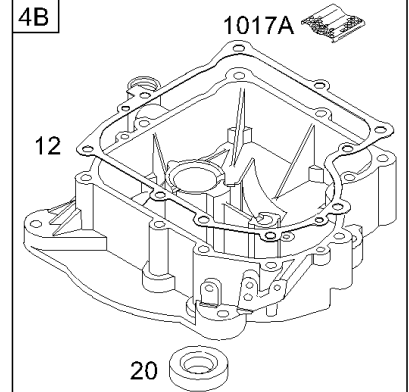
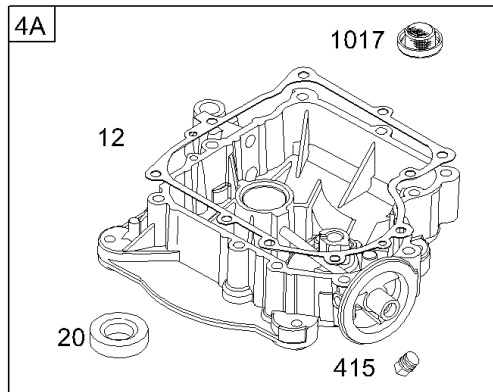
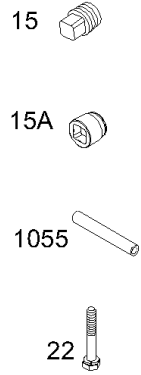
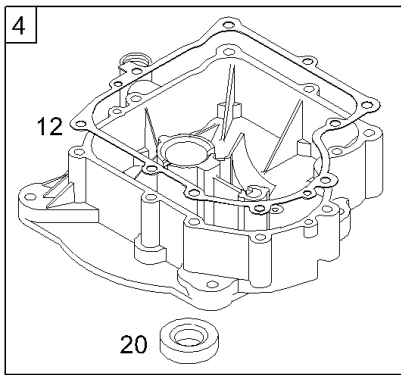
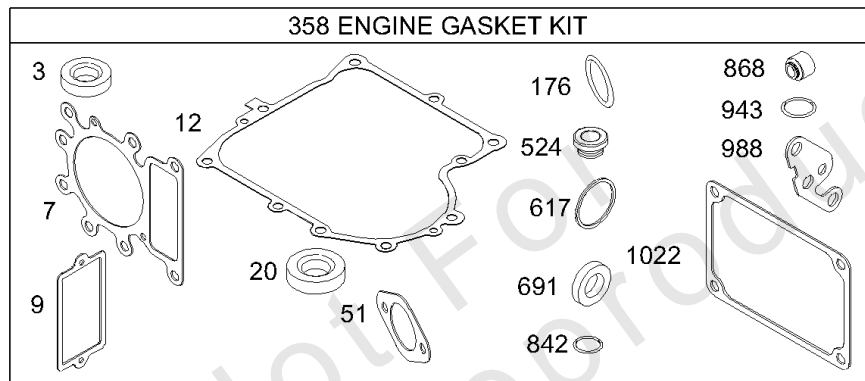
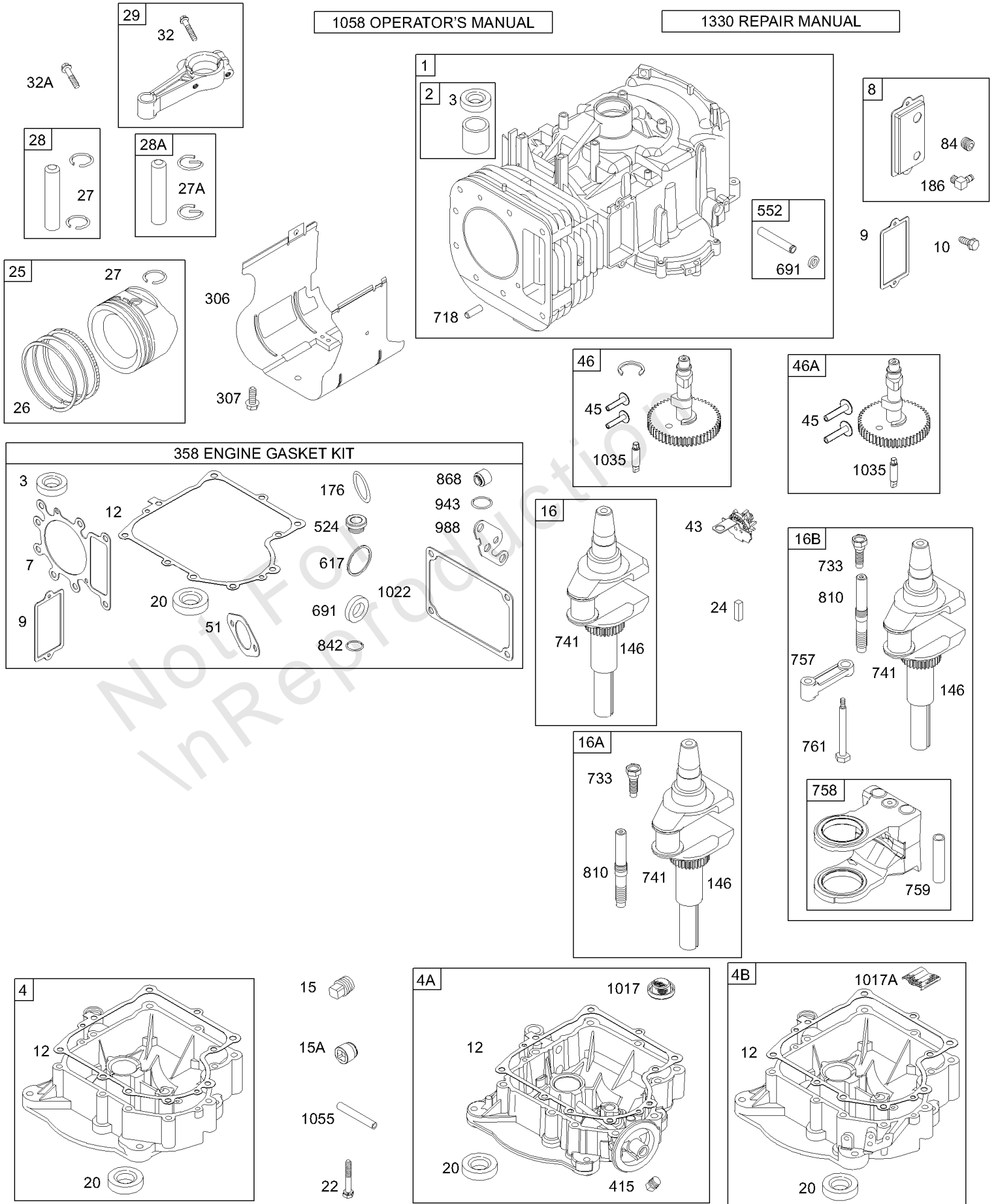
Carburetor, Overhaul Kits

REF NO	PART NO	QTY	DESCRIPTION
977	690192		SET, Carburetor Gasket
977A	695428		SET, Carburetor Gasket
987	691326		SEAL, Choke/Throttle Shaft
987A	692001		SEAL, Choke/Throttle Shaft -(LMT 33, 34)
987B	698777		SEAL, Choke/Throttle Shaft
1091	691333		CAP, Limiter
1127	695407		SCREW -(Float Bowl)

Not For In Reproduction

1058 OPERATOR'S MANUAL

1330 REPAIR MANUAL

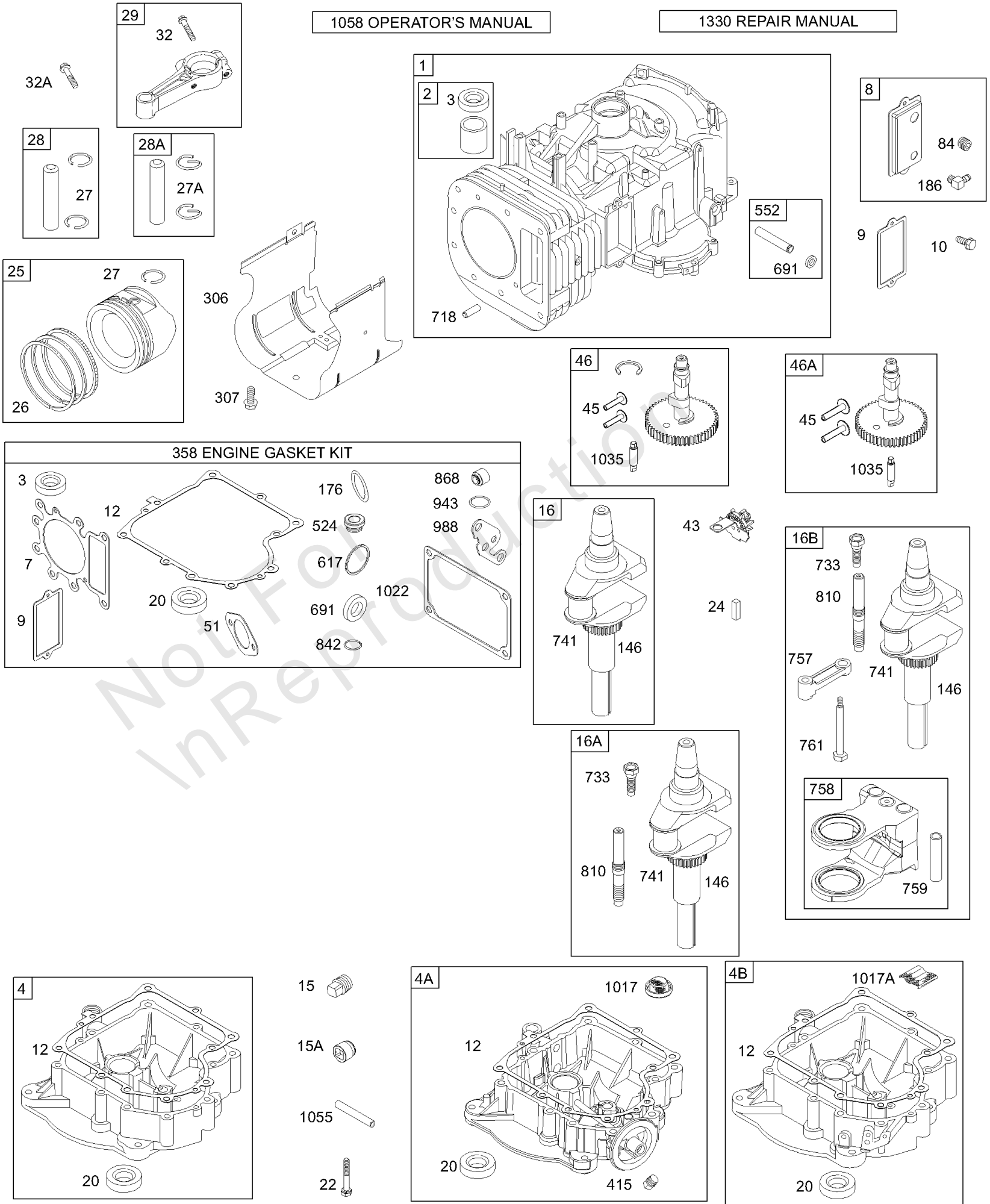


Cylinder, Piston/Ring, Crankshaft, Sump, Kits

REF NO	PART NO	QTY	DESCRIPTION
1	495867		CYLINDER ASSEMBLY -Used Before Code Date 93073000
1	496412		CYLINDER ASSEMBLY -Used After Code Date 93072900
2	399265		KIT, Bushing/Seal -(Magneto Side)
3	391086S		SEAL, Oil -(Magneto Side)
4	494238		SUMP, Engine
7	273280S		GASKET, Cylinder Head
8	696126		BREATHER ASSEMBLY
9	27803S		GASKET, Breather
10	691666		SCREW -(Breather Assembly)
12	692226		GASKET, Crankcase -(.015)(Standard)
12	692405		GASKET, Crankcase -(.009)
12	692406		GASKET, Crankcase -(.005)
15	690946		PLUG, Oil Drain
15A	691680		PLUG, Oil Drain
16	690136		CRANKSHAFT -Used After Code Date 98063000
16A	693944		CRANKSHAFT -Used After Code Date 95073100 -Used Before Code Date 98070100
16B	693653		CRANKSHAFT -Used Before Code Date 95080100
20	291675S		SEAL, Oil -(PTO Side)
22	692125		SCREW -(Crankcase Cover/Sump)
24	222698S		KEY, Flywheel
25	499284		PISTON ASSEMBLY -(Standard) -Used Before Code Date 01041900
25	499292		PISTON ASSEMBLY -(.020 Oversize) -Used Before Code Date 01041900
25	696397		PISTON ASSEMBLY -(Standard) -Used After Code Date 01041800
25	696399		PISTON ASSEMBLY -(.020 Oversize) -Used After Code Date 01041800
25	696400		PISTON ASSEMBLY -(.030 Oversize) -Used After Code Date 01041800
26	696404		SET, Ring -(.010 Oversize) -Used After Code Date 01041800
26	696405		SET, Ring -(.020 Oversize) -Used After Code Date 01041800
26	696403		SET, Ring -(Standard) -Used After Code Date 01041800
26	495851		SET, Ring -(.020 Oversize) -Used Before Code Date 01041900

1058 OPERATOR'S MANUAL

1330 REPAIR MANUAL

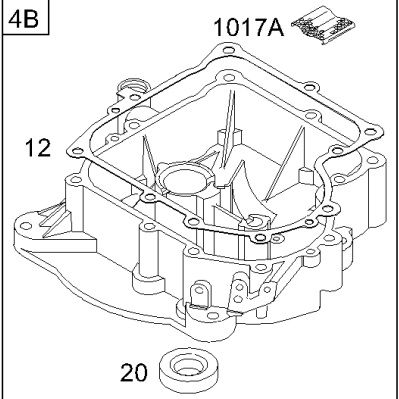
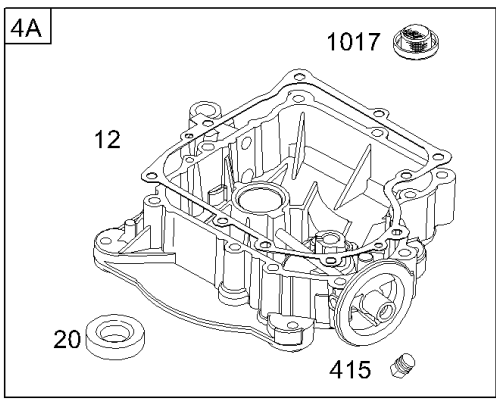
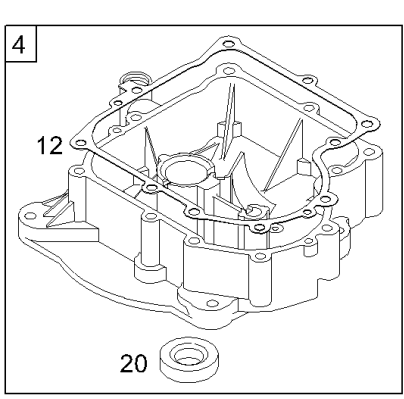
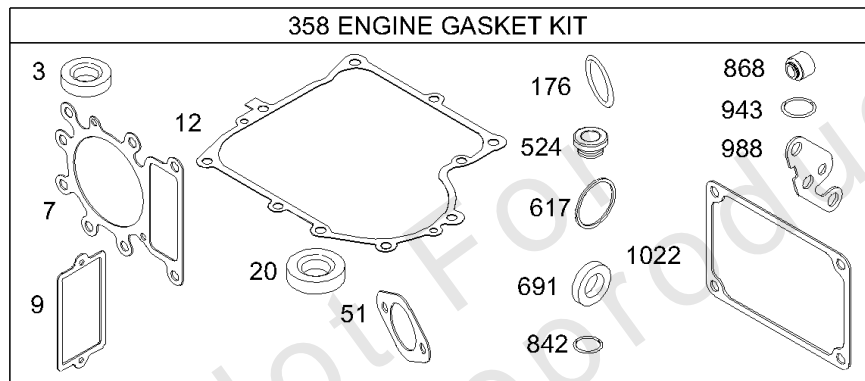
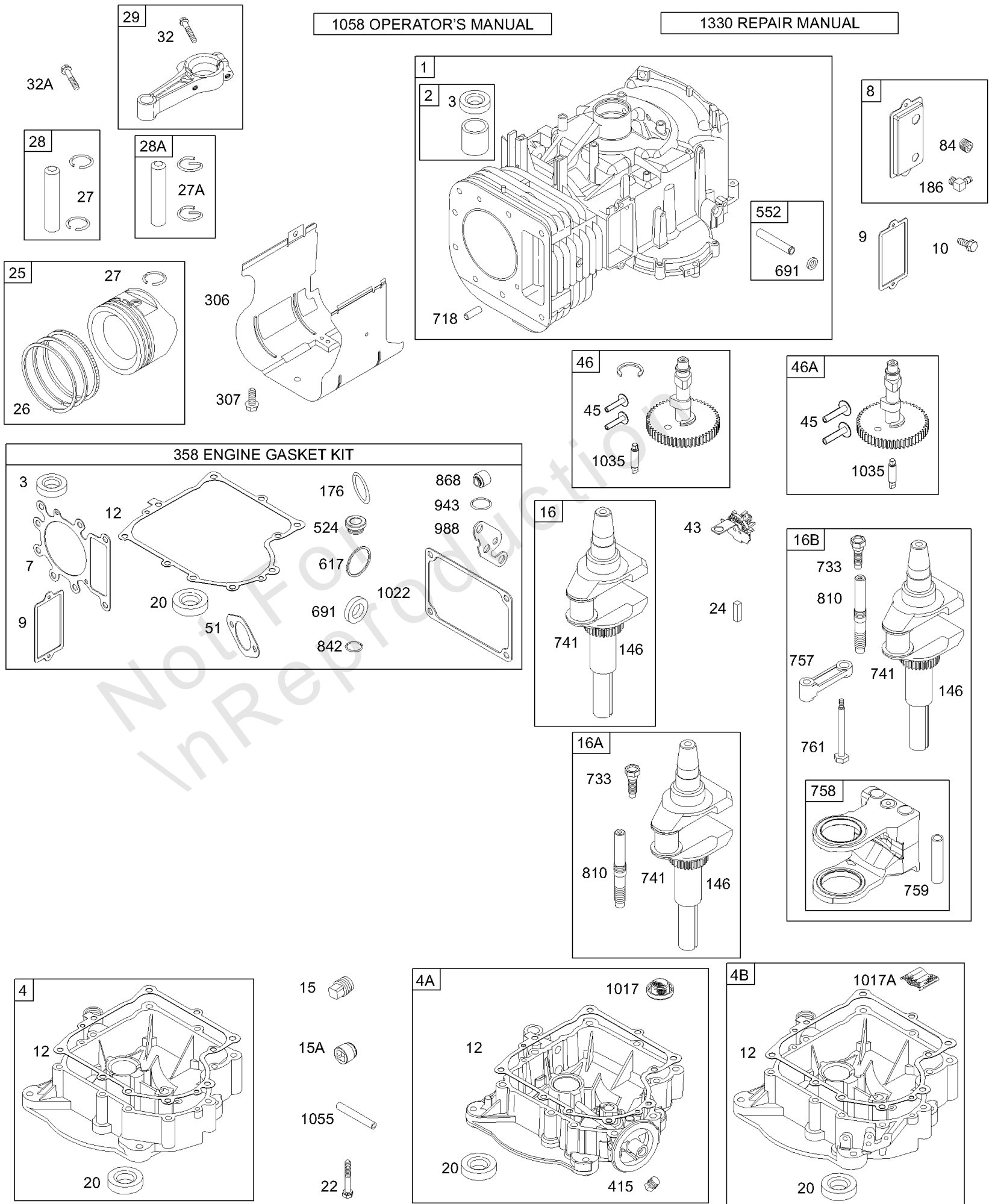


Cylinder, Piston/Ring, Crankshaft, Sump, Kits

REF NO	PART NO	QTY	DESCRIPTION
26	696406		SET, Ring -(.030 Oversize) -Used After Code Date 01041800
26	495854		SET, Ring -(Standard) -Used Before Code Date 01041900
26	495855		SET, Ring -(.030 Oversize) -Used Before Code Date 01041900
27	691299		LOCK, Piston Pin -Used After Code Date 95101500
27A	691792		LOCK, Piston Pin -Used Before Code Date 95101600
28	498319		PIN, Piston -(Standard) -Used After Code Date 95101500
28	498320		PIN, Piston -(.005 Oversize) -Used After Code Date 95101500
28A	299691		PIN, Piston -(Standard) -Used Before Code Date 95101600
28A	391286		PIN, Piston -(.005 Oversize) -Used Before Code Date 95101600
29	692420		ROD, Connecting -(.020 Undersize) -Used After Code Date 98063000
29	692419		ROD, Connecting -(Standard) -Used After Code Date 98063000
29	495490		ROD, Connecting -(.020 Undersize) -Used Before Code Date 98070100
29	494504S		ROD, Connecting -(Standard) -Used Before Code Date 98070100
32	690356		SCREW -(Connecting Rod) (1 7/8)
32A	690348		SCREW -(Connecting Rod) (1 5/8)
43	691968		SLINGER, Governor/Oil
45	690564		TAPPET, Valve
46	698492		CAMSHAFT
51	692137		GASKET, Intake
84	690343		PLUG, Oil Drain
146	691639		KEY, Timing
176	691917		SEAL, O-Ring -(Air Cleaner Base)
186	691609		CONNECTOR, Hose -(Breather Assembly)
306	698454		SHIELD, Cylinder
307	691003		SCREW -(Cylinder Shield)
358	495993		GASKET SET, Engine -Used Before Code Date 97100600
358	691580		GASKET SET, Engine -Used After Code Date 97100500
524	281370S		SEAL, O-Ring -(Dipstick Tube)

1058 OPERATOR'S MANUAL

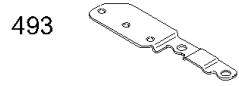
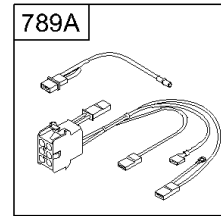
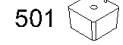
1330 REPAIR MANUAL



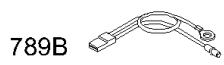
Cylinder, Piston/Ring, Crankshaft, Sump, Kits

REF NO	PART NO	QTY	DESCRIPTION
552	491986		BUSHING, Governor Crank -(1/4 I.D.)
617	692138		SEAL, O-Ring -(Intake Manifold) -Used After Code Date 97100500
691	692407		SEAL, Governor Shaft
718	690959		PIN, Locating
733	691658		SCREW -(Crankshaft Extension)
741	691284		GEAR, Timing
757	691714		LINK, Counterweight -(-Used After Code Date 78100411)
758	692423		COUNTERWEIGHT
759	691239		PIN, Counterweight
761	691096		SCREW -(Counterweight)
810	691779		EXTENSION, Crankshaft
842	691870		SEAL, O-Ring -(Dipstick Tube)
868	690968		SEAL, Valve
943	690589		SEAL, O-Ring -(Oil Pump Cover) -Used After Code Date 98063000
988	691317		GASKET, Oil Adapter
1017	690770		SCREEN, Oil Pump
1017A	691216		SCREEN, Oil Pump
1022	272475S		GASKET, Rocker Cover
1035	693784		SHAFT, Pump
1055	690528		TUBE, Oil Pump -Used Before Code Date 98070100
1058	275935		MANUAL, Operator's
1330	272147		MANUAL, Repair

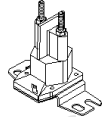
	DC ONLY	DUAL CIRCUIT	TRI CIRCUIT
474	877A	474A 877	474B 877B
1059	1059	1059	1059
578	878	878A	



NOTE: ALL OLD STYLE STATORS USE REFERENCE NUMBER 119 MOUNTING SCREW



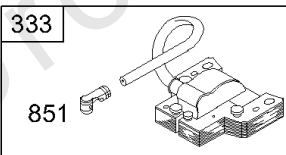
920



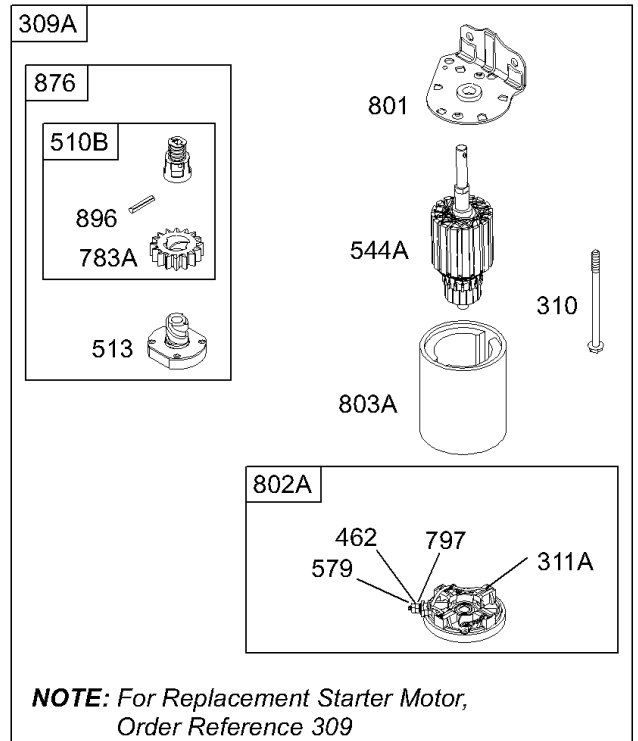
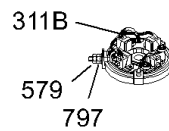
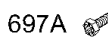
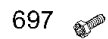
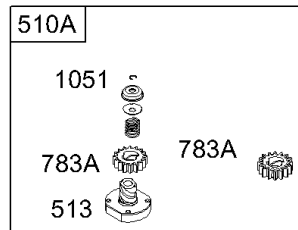
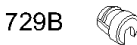
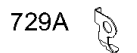
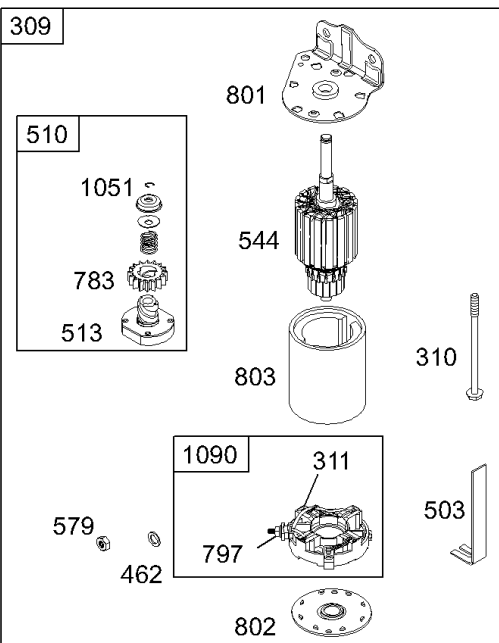
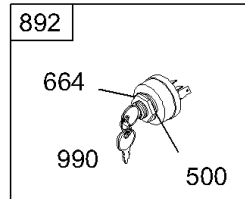
334



333



851

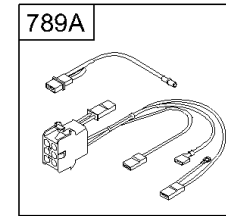
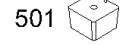
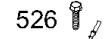


NOTE: For Replacement Starter Motor, Order Reference 309

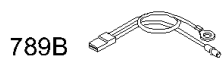
Electric Starter, Alternator, Magneto

REF NO	PART NO	QTY	DESCRIPTION
309	499521		MOTOR, Starter -(4 3/8 Housing Length For Aluminum Ring Gear Only)
309	693054		MOTOR, Starter -(3 5/8) (Aluminum Ring Gear)
309	693551		MOTOR, Starter -(3 5/8 Housing Length For Steel Ring Gear Only)
309	693552		MOTOR, Starter -(4 3/8 Housing Length For Steel Ring Gear Only)
309	497401		MOTOR, Starter -(4 3/8 Housing Length For Plastic Ring Gear Only)
309	497595		MOTOR, Starter -(3 5/8) (Plastic Ring Gear)
309A	-----		Motor-Starter -(For Replacement Starter Motor, Order Reference 309)
310	691263		BOLT -(Starter Motor) (4 3/8 Housing)
310	692329		BOLT -(Starter Motor) (4 9/16 Housing)
310	690323		BOLT -(Starter Motor) (3 5/8" Housing Length)
311	497608		SET, Brush
311A	395538		SET, Brush -(3 5/8 Housing)
311B	490311		SET, Brush -(4 9/16 Housing)
333	492341		ARMATURE, Magneto
334	691061		SCREW -(Magneto Armature)
356	690807		WIRE, Stop
462	691261		WASHER -(Starter Cable)
474	696578		ALTERNATOR -(DC Only)
474A	696459		ALTERNATOR -(Dual Circuit)
474B	696457		ALTERNATOR -(Tri Circuit)
493	694475		BRACKET, Mounting -(Regulator)
493A	691177		BRACKET, Mounting -(Regulator)
500	691086		WASHER -(Key Switch)
501	691188		REGULATOR -(9 Amp Regulated)
503	691532		STRAP, Starter
510	693699		DRIVE, Starter -(Used With Steel Ring Gear)
510A	696541		DRIVE, Starter -(Used With Aluminum And Plastic Ring Gears)
510B	696540		DRIVE, Starter
513	692024		CLUTCH, Drive
521	690581		SHIELD, Cable
526	694476		SCREW -(Regulator)
544	692034		ARMATURE, Starter -(3 5/8 Housing)
544A	390837		ARMATURE, Starter -(3 5/8 Housing)

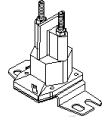
	DC ONLY	DUAL CIRCUIT	TRI CIRCUIT
474	877A	474A 877	474B 877B
1059	1059	1059	1059
578	878	878A	



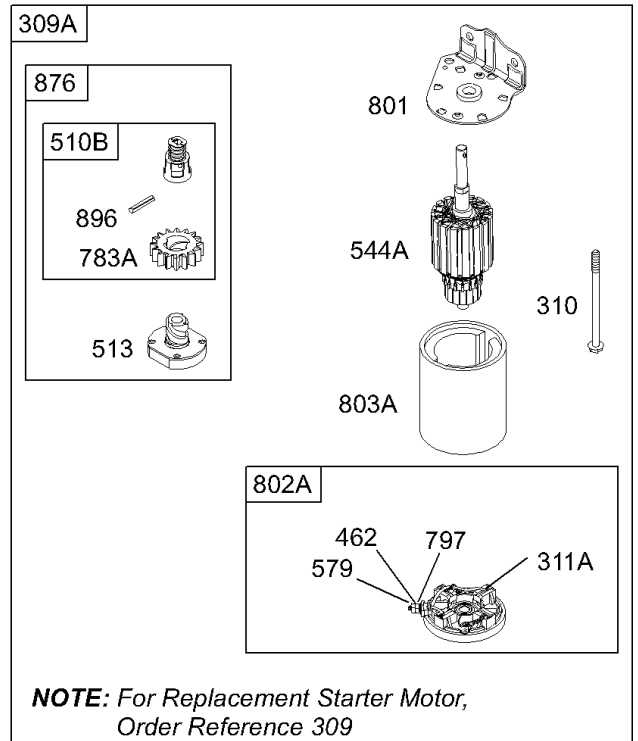
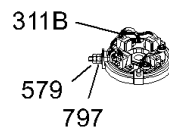
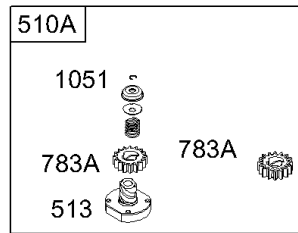
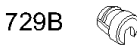
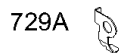
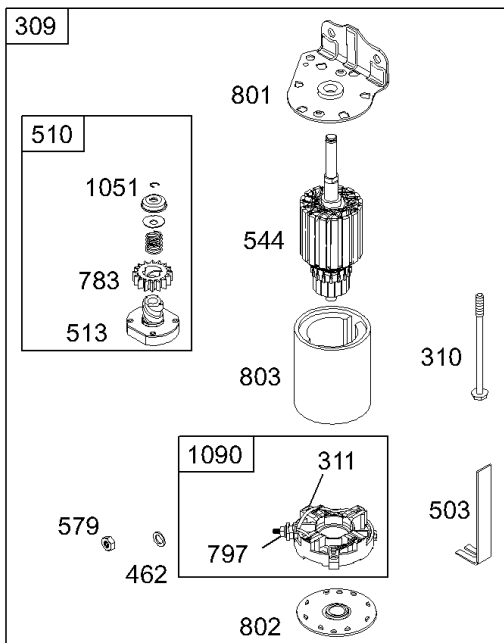
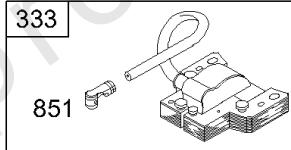
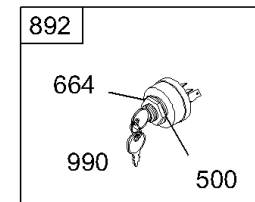
NOTE: ALL OLD STYLE STATORS USE REFERENCE NUMBER 119 MOUNTING SCREW



920



334



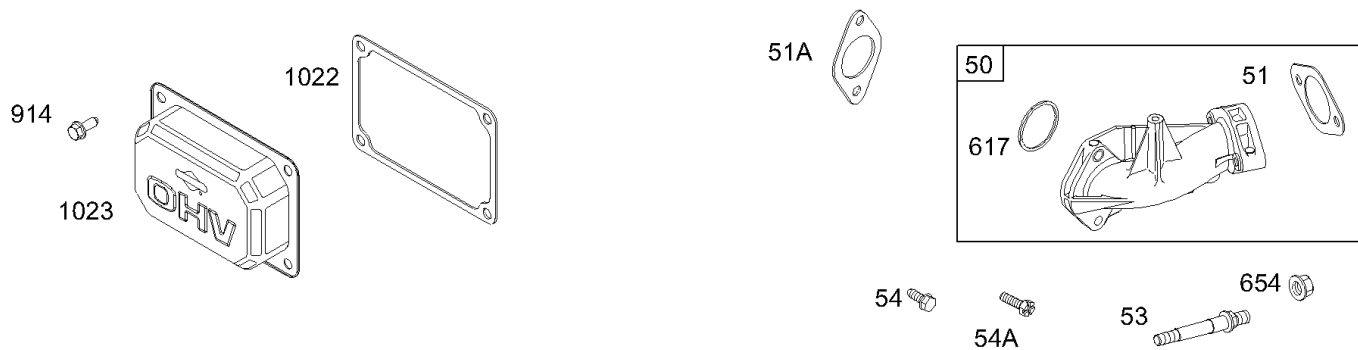
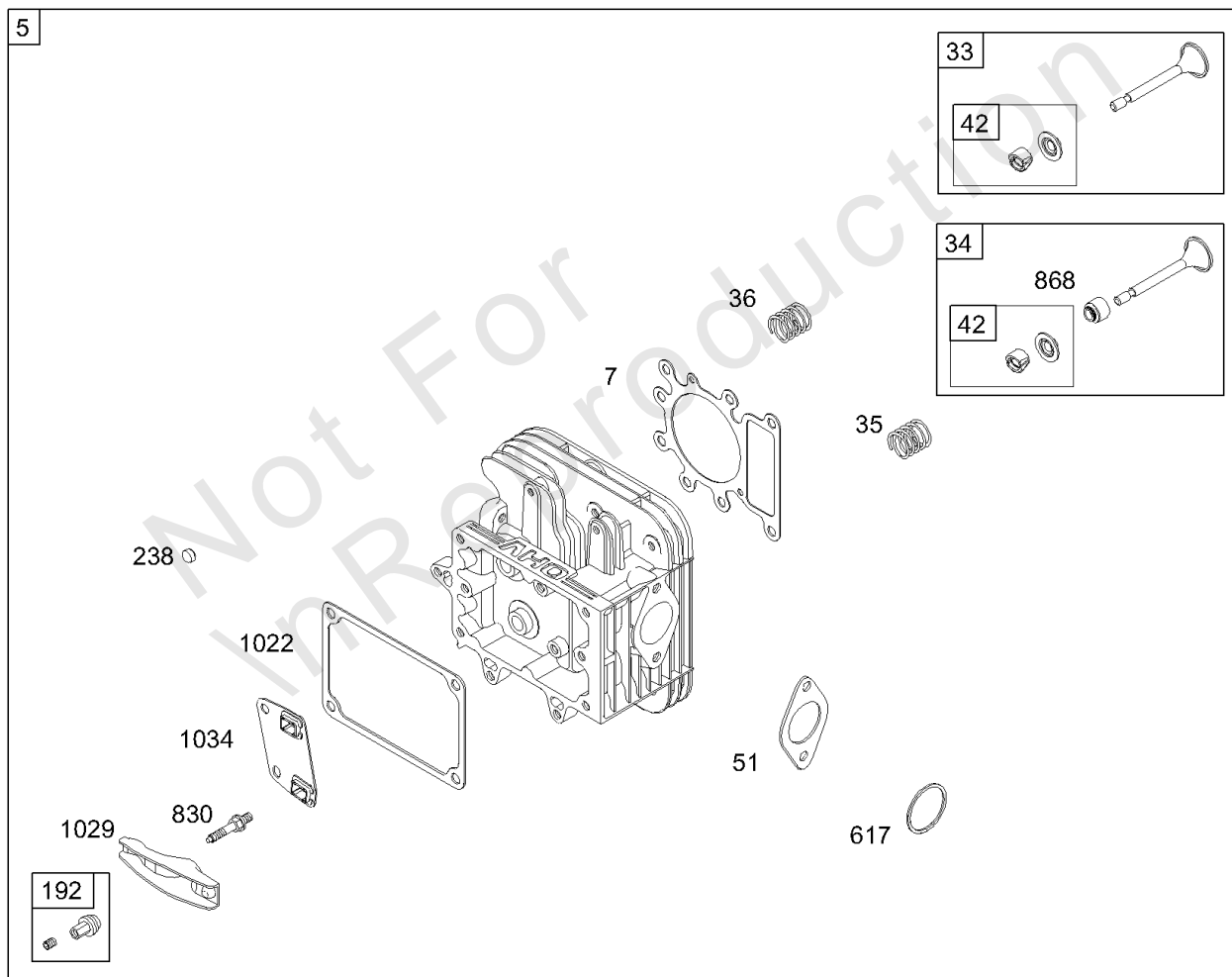
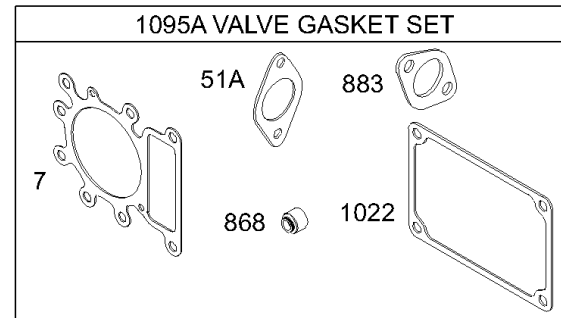
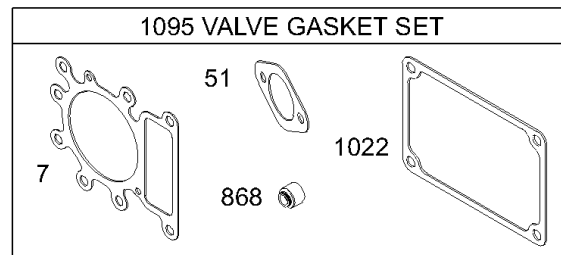
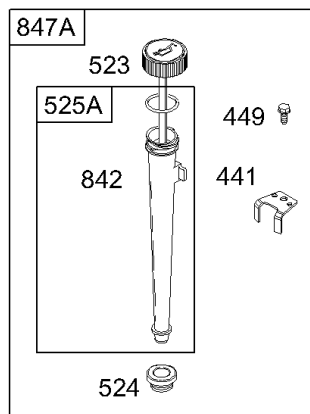
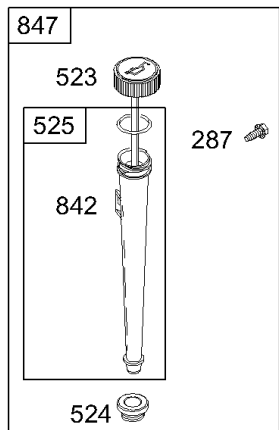
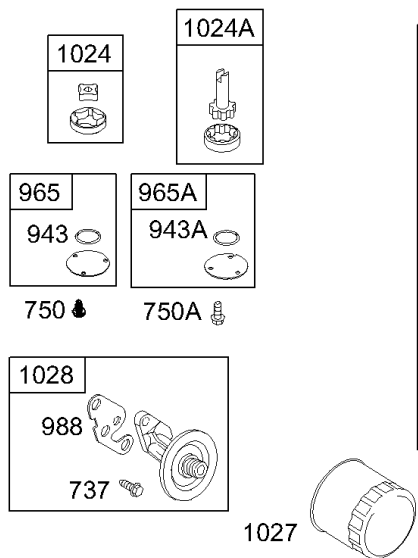
NOTE: For Replacement Starter Motor, Order Reference 309

Electric Starter, Alternator, Magneto

REF NO	PART NO	QTY	DESCRIPTION
544A	490309		ARMATURE, Starter -(4 3/8 Housing)
579	691029		NUT -(Starter Cable)
664	691087		NUT -(Key Switch)
697	690372		SCREW -(Drive Cap) (11/16)
697A	691058		SCREW -(Drive Cap) (3/4)
729A	691224		CLIP, Wire -(Starter Motor)
729B	224723		CLIP, Wire -(Starter Motor)
783	693713		GEAR, Pinion -(Steel Ring Gear Only)
783A	695708		GEAR, Pinion -(Aluminum And Plastic Ring Gears)
789A	698329		HARNESS, Wiring -(Alternator)
789B	693000		HARNESS, Wiring
797	693167		NUT -(Brush Retainer)
801	691283		CAP, Drive
802	691286		CAP, End
802A	395537		CAP, End -(3 5/8 Housing)
803	693757		HOUSING, Starter -(3 5/8 Housing)
803A	494205		HOUSING, Starter -(4 3/8 Housing)
803A	398159		HOUSING, Starter -(3 5/8 Housing)
813	690635		CLAMP -(Regulator)
851	692424		TERMINAL, Spark Plug
876	696539		KIT, Pinion Spring
877	393456		WIRE/CONNECTOR, Alternator -(Dual Circuit)
877A	393814		WIRE/CONNECTOR, Alternator -(DC CIRCUIT)
877B	393537		WIRE/CONNECTOR, Alternator -(Tri Circuit)
878	691237		HARNESS, Alternator
878A	691955		HARNESS, Alternator
892	692318		SWITCH, Key
896	691641		PIN, Drive Retainer
990	691959		SET, Key
1051	691265		RING, Retaining
1054	280275		TIE, Cable
1059	698516		KIT, Screw/Washer -(Alternator)
1090	691293		RETAINER, Brush
1119	691183		SCREW -(Alternator)

Head, Valve Gaskets, Oil Filter, Dipstick

Mfg. No: 287707-1255-E1

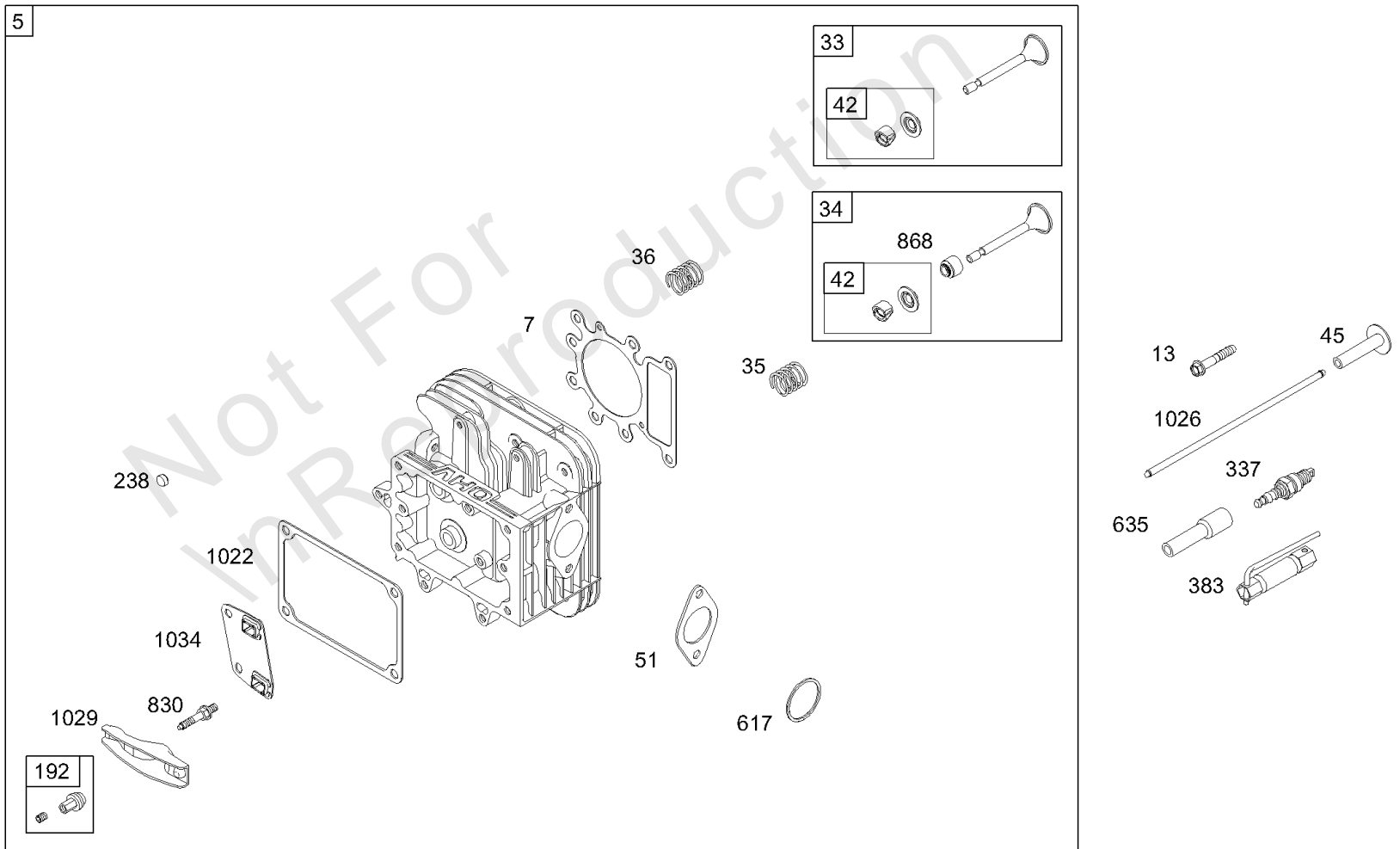
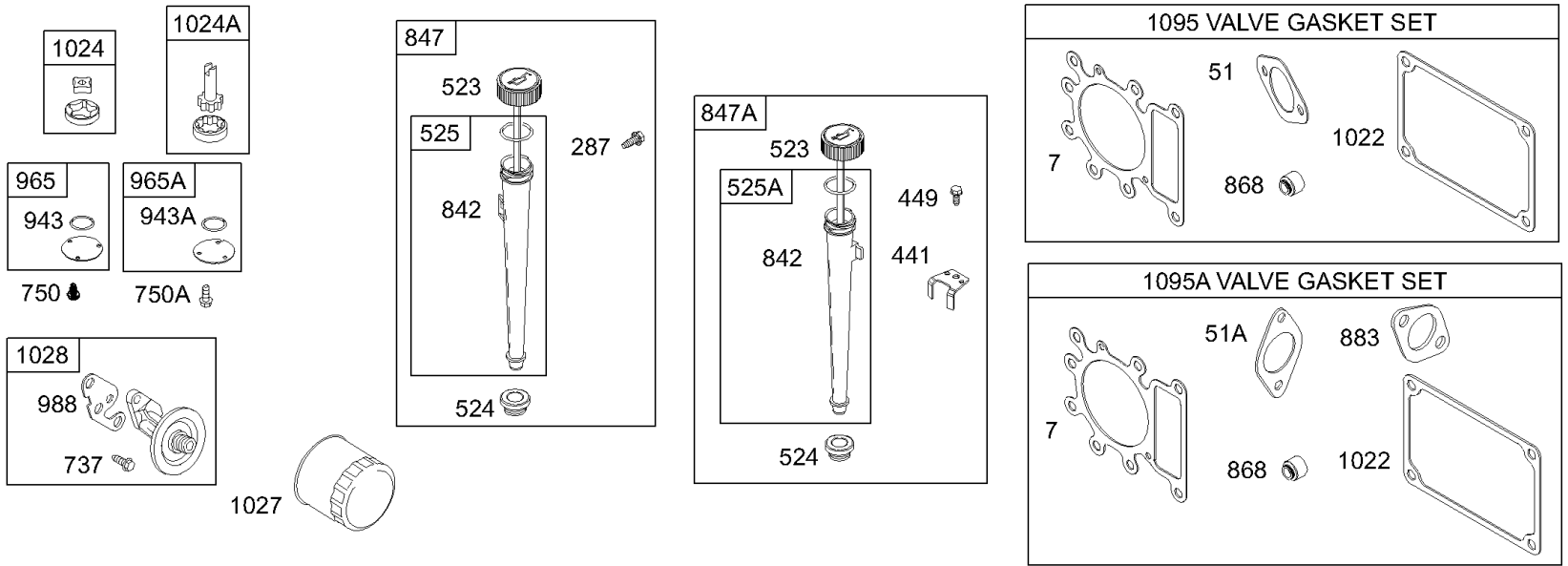


Head, Valve Gaskets, Oil Filter, Dipstick

REF NO	PART NO	QTY	DESCRIPTION
5	698148		HEAD, Cylinder
7	273280S		GASKET, Cylinder Head
13	690360		SCREW -(Cylinder Head)
33	695760		VALVE, Exhaust
34	695761		VALVE, Intake
35	691279		SPRING, Valve -(Intake)
36	691279		SPRING, Valve -(Exhaust)
42	499586		KEEPER, Valve
45	690564		TAPPET, Valve
50	690193		MANIFOLD, Intake
51	692137		GASKET, Intake
51A	272569S		GASKET, Intake
53	690227		STUD -(Carburetor)
54	691148		SCREW -(Intake Manifold) (1" Long) -Used After Code Date 97100500
54A	690953		SCREW -(Intake Manifold) (3/4) -Used Before Code Date 97100600
192	691986		ADJUSTER, Rocker Arm
238	691843		CAP, Valve
287	691002		SCREW -(Dipstick Tube)
337	491055S		PLUG, Spark -(Resistor)
383	89838S		WRENCH, Spark Plug
441	224390		BRACKET, Oil Fill
449	690664		SCREW -(Oil Fill Bracket)
523	692014		DIPSTICK
524	281370S		SEAL, O-Ring -(Dipstick Tube)
525	691398		TUBE, Dipstick
525A	495768		TUBE, Dipstick
617	692138		SEAL, O-Ring -(Intake Manifold) -Used After Code Date 97100500
635	691909		BOOT, Spark Plug
654	690958		NUT -(Carburetor)
737	690372		SCREW -(Oil Filter Adapter)
750	691033		SCREW -(Oil Pump Cover) -Used After Code Date 98063000
750A	692198		SCREW -(Oil Pump Cover) -Used Before Code Date 98070100
830	691095		STUD, Rocker Arm
842	691870		SEAL, O-Ring -(Dipstick Tube)
847	496415		DIPSTICK/TUBE ASSEMBLY
847A	490474		DIPSTICK/TUBE ASSEMBLY

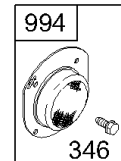
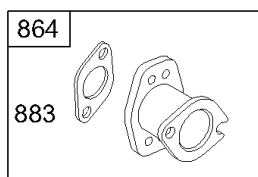
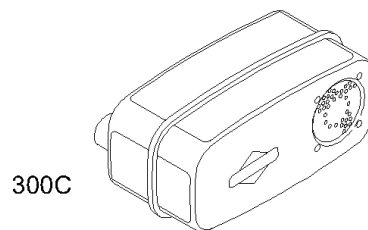
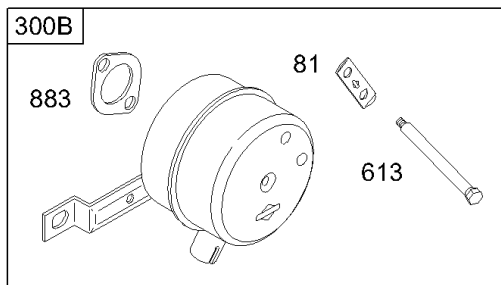
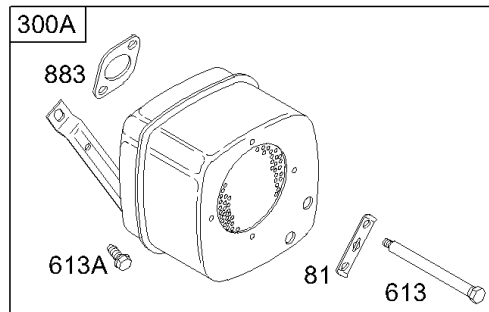
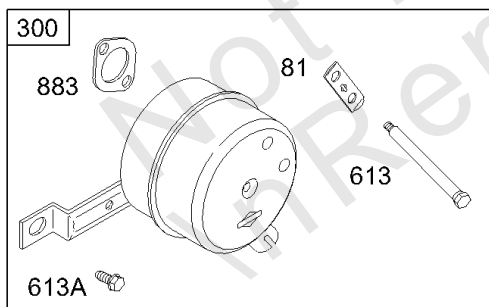
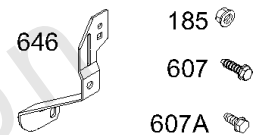
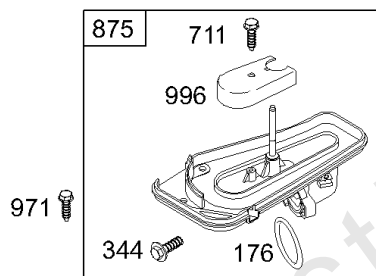
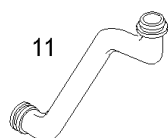
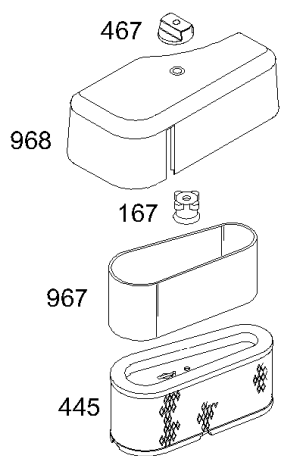
Head, Valve Gaskets, Oil Filter, Dipstick

Mfg. No: 287707-1255-E1



Head, Valve Gaskets, Oil Filter, Dipstick

REF NO	PART NO	QTY	DESCRIPTION
868	690968		SEAL, Valve
883	692236		GASKET, Exhaust
914	691108		SCREW -(Rocker Cover)
943	690589		SEAL, O-Ring -(Oil Pump Cover) -Used After Code Date 98063000
943A	690604		SEAL, O-Ring -(Oil Pump Cover) -Used Before Code Date 98070100
965	499613		COVER, Oil Pump -Used After Code Date 98063000
965A	496745		COVER, Oil Pump -Used Before Code Date 98070100
988	691317		GASKET, Oil Adapter
1022	272475S		GASKET, Rocker Cover
1023	691192		COVER, Rocker
1024	499054		PUMP, Oil -Used After Code Date 98063000
1024A	493884		PUMP, Oil -Used Before Code Date 98070100
1026	692003		ROD, Push -(Intake)
1026	692011		ROD, Push -(Exhaust)
1027	492932S		FILTER, Oil
1028	496744		ADAPTER, Oil Filter
1029	691751		ARM, Rocker
1034	690822		GUIDE, Push Rod
1095	691581		GASKET SET, Valve -Used After Code Date 97100500
1095A	495992		GASKET SET, Valve -Used Before Code Date 97100600



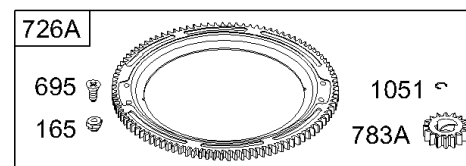
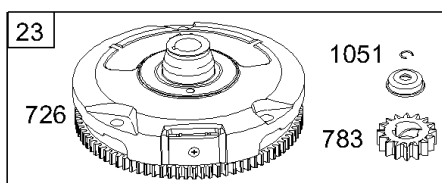
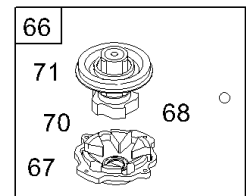
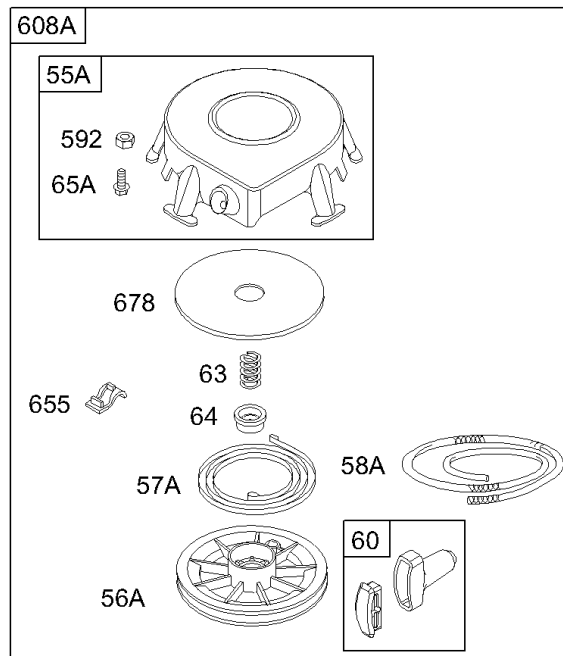
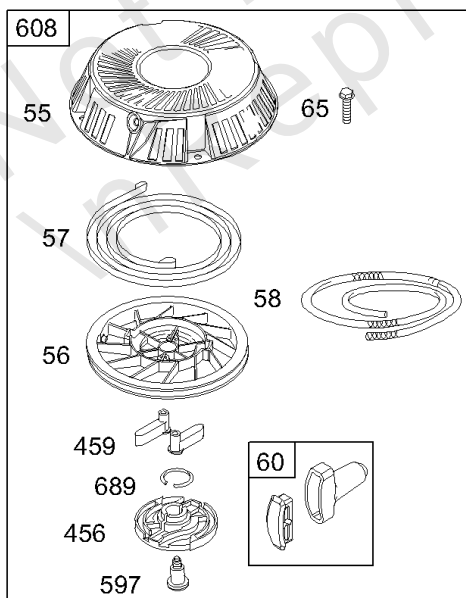
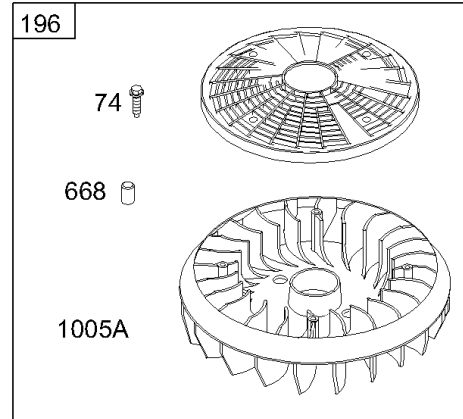
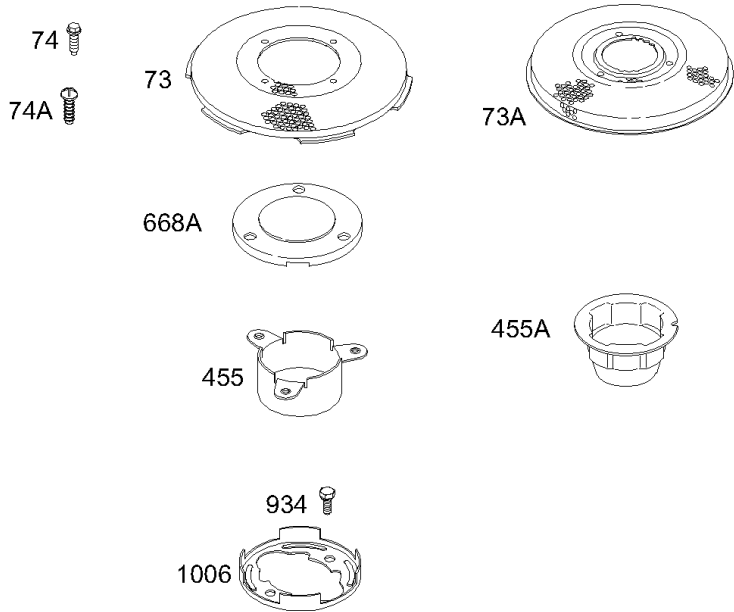
Muffler, Air Cleaner

REF NO	PART NO	QTY	DESCRIPTION
11	691328		TUBE, Breather
81	691178		LOCK, Muffler Screw
167	692297		SEAL, Air Cleaner Nut
176	691917		SEAL, O-Ring -(Air Cleaner Base)
185	690958		NUT -(Air Cleaner Base)
300	495805S		MUFFLER
300A	496022S		MUFFLER
300B	495882		MUFFLER
300C	498984S		MUFFLER
344	693675		SCREW -(Cable Clamp)
346	690661		SCREW -(Spark Arrestor)
445	496894S		FILTER, A/C Cartridge
467	691668		KNOB, Air Cleaner Cover
607	691693		SCREW -(Air Cleaner Brace) (3/8" Long)
607A	690703		SCREW -(Air Cleaner Brace) (7/16)
613	691416		SCREW -(Muffler)
613A	691678		SCREW -(Muffler) (Muffler Bracket)
613B	690297		SCREW -(Muffler) (Muffler Bracket)
646	690460		BRACE, Air Cleanr
676	393761		DEFLECTOR, Muffler -(Side Outlet)
677	690661		SCREW -(Muffler Deflector)
711	690703		SCREW -(Carburetor Shield)
823	698941		SCREW -(Muffler Adapter)
864	697346		ADAPTER, Muffler
875	696129		BASE, Air Cleaner -(Plastic)
883	692236		GASKET, Exhaust
967	272403S		FILTER, Pre Cleaner
968	691916		COVER, Air Cleaner
971	690810		SCREW -(Air Cleaner Base to Carburetor) -Used Before Code Date 97100600
971	692129		SCREW -(Air Cleaner Base to Carburetor) -Used After Code Date 97100500
994	392390		ARRESTOR, Spark
996	690678		SHIELD, Carburetor

Replacement Engine

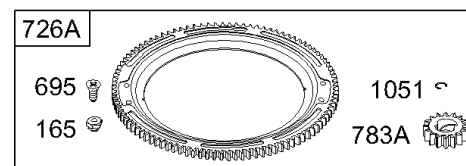
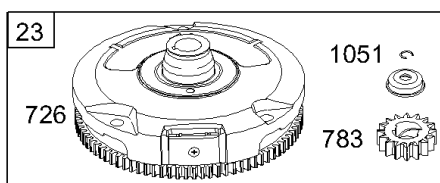
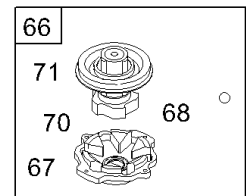
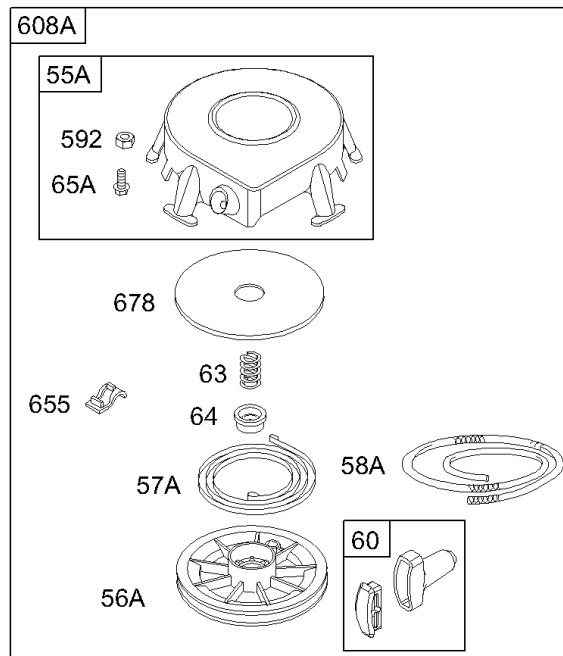
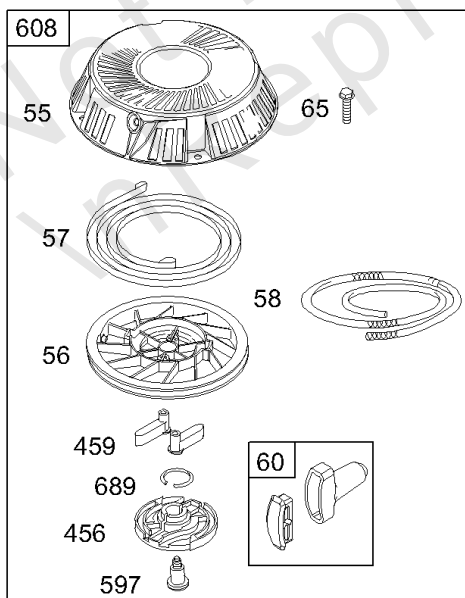
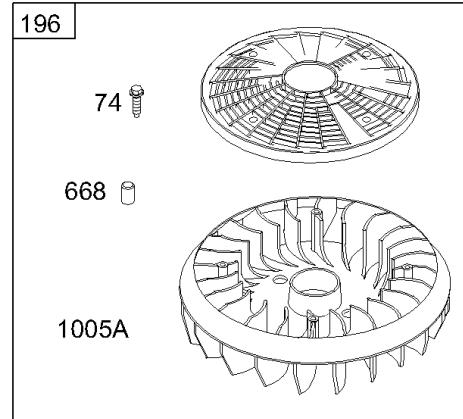
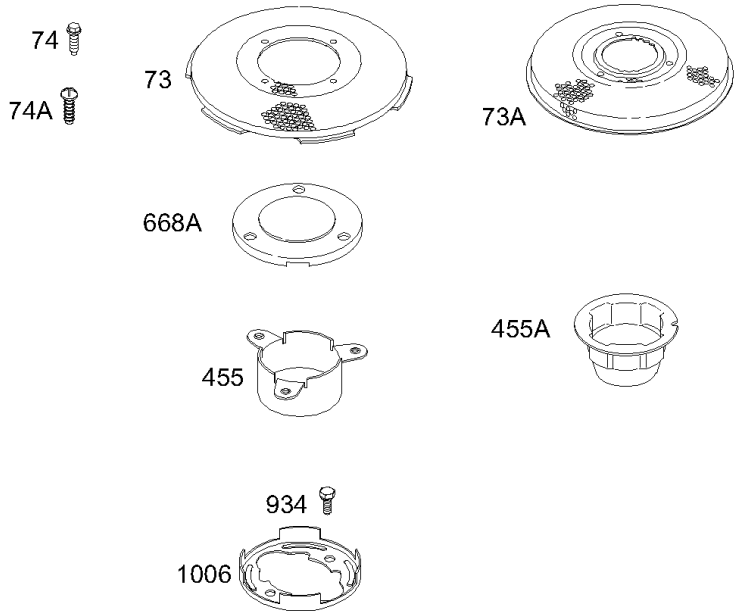
REF NO	PART NO	QTY	DESCRIPTION
	31A6070026	1	Replacement Engine
	697761	1	Replacement Short Block
	-----		Top No-Load Speed: 3300 -Trim: ALL
	-----		Service Note: If the replacement engine supersedes to or is a Model 310000 series engine, refer to the illustrations located after the conversion data for this model series. The overall dimensions which differ, are shown in the illustrations.
	-----		Service Note: If after making a visual inspection and it is determined the Model 310000 series engine cannot be used because of equipment interference, the original engine should be repaired with a short block and/or individual parts.
	-----		Service Note: If the original engine is equipped with a Six Pin Wiring Harness transfer to the replacement engine.
	-----		Service Note: Transfer Muffler and/or Spark Arrester Assembly from the original engine if suitable for additional service or add new parts as required
	-----		Short Block Note: If repair would also require the Cylinder Head Assembly Order Short Block Part Number 791116.

Not For In Repair



Rewind Starter/Fan, Flywheel

REF NO	PART NO	QTY	DESCRIPTION
23	693556		FLYWHEEL -(Steel Ring Gear)
55	695130		HOUSING, Rewind Starter
55A	393576		HOUSING, Rewind Starter
56	695129		PULLEY, Starter
56A	295871		PULLEY, Starter -(63 Rope)
57	695131		SPRING, Rewind Starter
57A	490179		SPRING, Rewind Starter
58	695132		ROPE, Starter -(59" Long)
58A	692188		ROPE, Starter -(63)
60	494212		GRIP, Starter Rope
63	690547		SPRING, Ratchet
64	691920		ADAPTER, Ratchet Spring
65	695453		SCREW -(Rewind Starter) (3/8)
65A	690837		SCREW -(Rewind Starter)
66	399671		CLUTCH, Starter -Used Before Code Date 99102500
67	394897		HOUSING, Clutch
68	691604		BALL, Clutch
70	691945		RATCHET, Clutch
71	691359		COVER, Ratchet
73	691191		SCREEN, Rotating
73A	690492		SCREEN, Rotating
74	691627		SCREW -(Rotating Screen) (7/16)
74A	691655		SCREW -(Rotating Screen) (13/32)
165	693148		NUT -(Ring Gear)
196	695493		FAN/SCREEN ASSEMBLY
363	19203		PULLER, Flywheel
455	691173		CUP, Flywheel
455A	695113		CUP, Flywheel
456	695128		PLATE, Pawl Friction
459	281505S		PAWL, Ratchet
592	690800		NUT -(Rewind Starter)
597	691696		SCREW -(Pawl Friction Plate)
608	695058		STARTER, Rewind -Used After Code Date 99102400
608A	390391		STARTER, Rewind -Used Before Code Date 99102500
655	691734		ANCHOR, Rewind Spring
668	690510		SPACER -(FAN/SCREEN ASSEMBLY)
668A	691323		SPACER -(Flywheel Cup)
678	490817		SPACER -(Rewind)
689	691855		SPRING, Friction



Rewind Starter/Fan, Flywheel

REF NO	PART NO	QTY	DESCRIPTION
695	693109		SCREW -(Ring Gear)
726	-----		Gear-Ring -(Steel)(See Reference 23 for Service)
726A	696537		GEAR, Ring -(Aluminum)(Services Plastic Ring Gear Only)
783	693713		GEAR, Pinion -(Steel Ring Gear Only)
783A	695708		GEAR, Pinion -(Aluminum And Plastic Ring Gears)
934	690372		SCREW -(Fan Retainer)
1005	691905		FAN, Flywheel
1005A	697853		FAN, Flywheel
1005B	695056		FAN, Flywheel
1006	690452		RETAINER, Fan
1051	691265		RING, Retaining

Not For In Reproduction

