



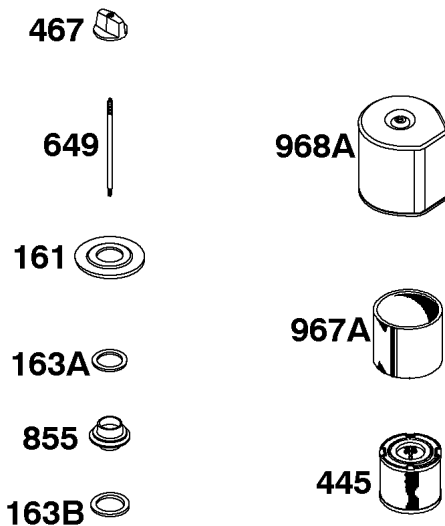
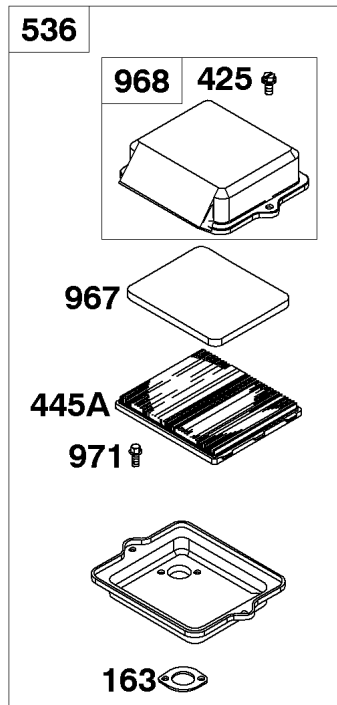
# Parts Manual

Mfg. No: 135292-1070-E1



| <b>Model Components</b>            | <b>Page</b> |
|------------------------------------|-------------|
| Air Cleaner Groups.....            | 4           |
| Blower Housing.....                | 6           |
| Camshaft.....                      | 8           |
| Carburetor Group.....              | 10          |
| Carburetor Group 2.....            | 12          |
| Carburetor Group-Parts.....        | 14          |
| Controls.....                      | 16          |
| Controls 2.....                    | 18          |
| Crankcase Cover/Sump.....          | 22          |
| Crankcase Cover/Sump 2.....        | 24          |
| Crankshaft.....                    | 26          |
| Cylinder Group Type Numbers.....   | 28          |
| Cylinder Group-Parts.....          | 30          |
| Electric Starter.....              | 32          |
| Electrical.....                    | 34          |
| Flywheels, Rotating Screens.....   | 36          |
| Fuel Tank Group.....               | 38          |
| Gear Reduction Group/Sno-Gard..... | 40          |
| Governor Springs.....              | 42          |
| Kits/Gasket Sets - Carburetor..... | 44          |
| Kits/Gasket Sets - Engine.....     | 46          |
| Kits/Gasket Sets - Valve.....      | 48          |
| Muffler Groups.....                | 50          |
| Muffler Groups 2.....              | 52          |
| Oil Group.....                     | 54          |
| Piston/Rings/Connecting Rod.....   | 56          |
| Replacement Engine.....            | 58          |
| Rewind Group.....                  | 59          |
| Rewind Group 2.....                | 61          |
| Valve Group.....                   | 63          |

**135200 to 135299**



| REF. NO. | PART NO. | DESCRIPTION                                | REF. NO.         | PART NO. | DESCRIPTION                             | REF. NO. | PART NO. | DESCRIPTION                      |
|----------|----------|--|------------------|----------|---|----------|----------|----------------------------------|
| 161      | 691735   | Base-Air Cleaner                           | 467              | 691668   | Knob-Air Cleaner                        | 967      | 491435   | Filter-Pre Cleaner (Rectangular) |
| 163      | 271935s  | Air Cleaner Gasket (Standard, Oval)        | 536              | 494279   | Cleaner-Air (Rectangular)               | 967A     | 271466   | Filter-Pre Cleaner (Round)       |
| 163A     | 271139s  | Air Cleaner Gasket (1 5/8" O.D. Round)     | 649              | 231332   | Stud (Air Cleaner Cover, 1/4" Diameter) | 968      | 692321   | Cover-Air Cleaner (Rectangular)  |
| 163B     | 690580   | Air Cleaner Gasket (1 15/16" O.D. Round)   | ----- Note ----- |          |   | 968A     | 493822   | Cover-Air Cleaner (Canister)     |
| 425      | 694515   | Screw (Air Cleaner Cover)                  |                  | 691248   | Stud (Air Cleaner Cover, 1/2" Diameter) | 971      | 690370   | Screw (Air Cleaner Base)         |
| 445      | 396424   | Filter-Air Cleaner Cartridge (Canister)    |                  |          | Used on Type No(s). 0185, 0263, 1263.   |          |          |                                  |
| 445A     | 491588   | Filter-Air Cleaner Cartridge (Rectangular) | 855              | 690599   | Adapter-Air Cleaner                     |          |          |                                  |

Engine Gasket Set-Reference 358  
Carburetor Overhaul Kit-Reference 121

Valve Gasket Set-Reference 1095

2810-18

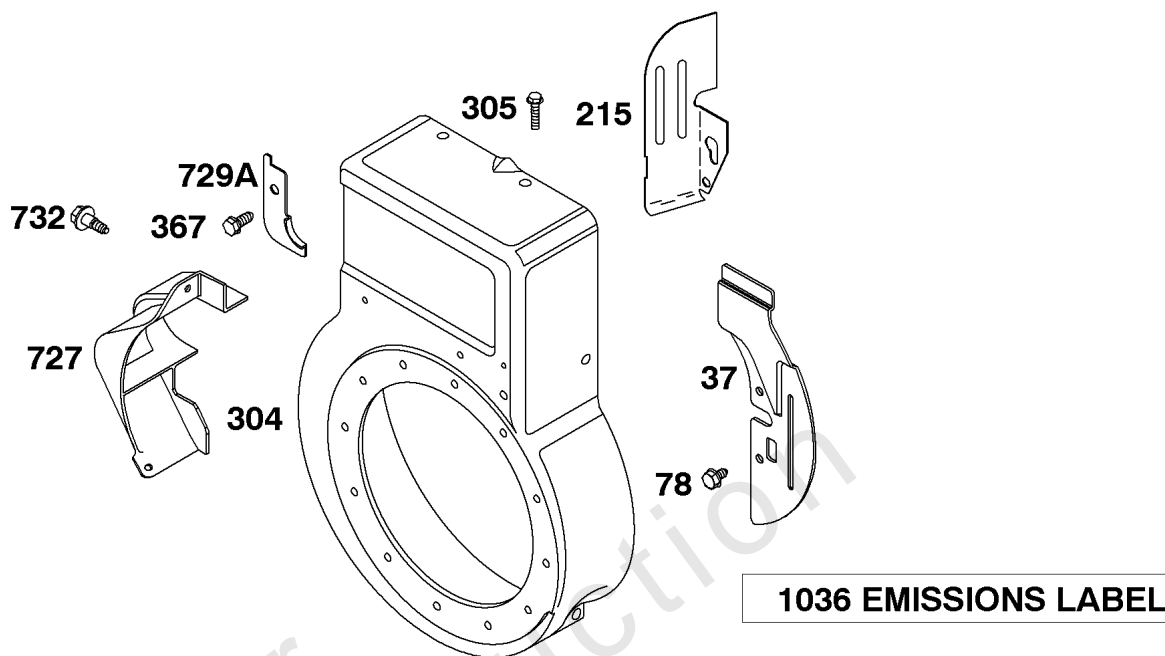
Assemblies include all parts shown in frames.

04/12/2012

## Air Cleaner Groups

| REF NO | PART NO | QTY | DESCRIPTION  |
|--------|---------|-----|--|
| 161    | 691735  |     | BASE, Air Cleaner  |
| 163    | 271935S |     | GASKET, Air Cleaner<br>-(Standard)(Oval)                 |
| 163A   | 271139S |     | GASKET, Air Cleaner<br>-(1 5/8 Outside Diameter)         |
| 163B   | 690580  |     | GASKET, Air Cleaner<br>-(1 15/16 Outside Diameter)       |
| 425    | 694515  |     | SCREW<br>-(Air Cleaner Cover)                            |
| 445    | 396424S |     | FILTER, A/C Cartridge<br>-(Canister)                     |
| 445A   | 491588S |     | FILTER, A/C Cartridge<br>-(Rectangular)                  |
| 467    | 691668  |     | KNOB, Air Cleaner Cover                                  |
| 536    | 494279  |     | CLEANER, Air<br>-(Rectangular)                           |
| 649    | 231332  |     | STUD<br>-(Air Cleaner Cover)                             |
| 855    | 690599  |     | ADAPTER, Air Cleaner                                     |
| 967    | 491435S |     | FILTER, Pre Cleaner<br>-(Rectangular)                    |
| 967A   | 271466  |     | FILTER, Pre Cleaner<br>-(Round)                          |
| 968    | 794784  |     | COVER, Air Cleaner                                       |
| 968A   | 493822  |     | COVER, Air Cleaner                                       |
| 971    | 690370  |     | SCREW<br>-(Air Cleaner Base to Carburetor/Throttle Body) |

**135200 to 135299**



| REF. NO. | PART NO. | DESCRIPTION                          | REF. NO. | PART NO. | DESCRIPTION               | REF. NO. | PART NO. | DESCRIPTION  |
|----------|----------|--------------------------------------|----------|----------|---------------------------|----------|----------|--|
| 37       | 691732   | Guard-Flywheel                       | 305      | 692198   | Screw<br>(Blower Housing) | 729A     | 690471   | Clip-Wire<br>(Steel)   |
| 78       | 691660   | Screw<br>(Flywheel Guard)            | 367      | 691660   | Screw<br>(Wire Clip)      | 732      | 691097   | Screw<br>(Starter Drive Cover)   |
| 215      | 691745   | Guide-Air<br>(Rewind Start)          | 727      | 690600   | Cover-Starter Drive       | 1036     |          | Label-Emission<br>(Available from<br>A Briggs & Stratton<br>Authorized Dealer) |
|          |          | ----- <b>Note</b> -----              |          |          |                           |          |          |  |
|          |          | 690472 Guide-Air<br>(Electric Start) |          |          |                           |          |          |  |
| 304      | 495759   | Housing-Blower                       |          |          |                           |          |          |  |

Engine Gasket Set-Reference 358  
Carburetor Overhaul Kit-Reference 121

Valve Gasket Set-Reference 1095

2810-22

Assemblies include all parts shown in frames.

04/12/2012

## Blower Housing

| REF NO | PART NO | QTY | DESCRIPTION  |
|--------|---------|-----|--|
| 37     | 691732  |     | GUARD, Flywheel  |
| 78     | 691660  |     | SCREW<br>-(Flywheel Guard)   |
| 215    | 690472  |     | GUIDE, Air   |
| 215    | 691745  |     | GUIDE, Air<br>-(Rewind Starter)  |
| 304    | 495759  |     | HOUSING, Blower  |
| 305    | 692198  |     | SCREW<br>-(Blower Housing)   |
| 367    | 691660  |     | SCREW<br>-(Wire Clip)  |
| 727    | 690600  |     | COVER, Starter Drive   |
| 729A   | 690471  |     | CLIP, Wire   |
| 732    | 691097  |     | SCREW<br>-(Starter Drive Cover)  |
| 1036   | -----   |     | Label-Emissions<br>-(Available From A Briggs & Stratton Authorized Dealer) |

Not For In-Production

**135200 to 135299**



| REF. NO. | PART NO. | DESCRIPTION   | REF. NO. | PART NO. | DESCRIPTION   | REF. NO. | PART NO. | DESCRIPTION               |  |
|----------|----------|---|----------|----------|---|----------|----------|---------------------------|--|
| 46       | 691164   | Camshaft<br>(Used After Code Date 96112400).<br>----- <b>Note</b> -----<br><b>691166</b> Camshaft<br>(Used After Code Date 96112400).<br>Used on Type No(s).<br>0173, 0214, 0309,<br>0611, 0670, 0671,<br>0728, 0757, 0758,<br>0780, 1011, 1070,<br>1071, 1128, 1154,<br>1157, 1158, 1169,<br>1180, 1194, 1232,<br>1261, 1265, 1309,<br>1310, 1320, 1324,<br>1336, 1337, 1338,<br>1343. |          |          | <b>691166</b> Camshaft<br>(Used Before Code Date 96112500).<br>Used on Type No(s).<br>0070, 0071, 0108,<br>0120, 0121, 0124,<br>0141, 0154, 0157,<br>0158, 0169, 0174,<br>0180, 0182, 0194,<br>0198, 0202, 0203,<br>0204, 0205, 0206,<br>0207, 0209, 0216,<br>0232, 0236, 0254,<br>0260, 0265, 0269,<br>0295, 0309, 0310,<br>0320, 0322, 0324,<br>0611, 0670, 0671,<br>0757, 0758, 0780.<br><b>692526</b> Camshaft<br>(Used Before Code Date 96112500).<br>Used on Type No(s).<br>0173, 0214. |          | 219      | 494845                    | Gear-Governor<br>----- <b>Note</b> -----<br><b>391737</b> Gear-Governor<br>(Used Before Code Date 91061000). |
|          |          |   |          |          |   | 220      | 691724   | Washer<br>(Governor Gear) |  |

Engine Gasket Set-Reference 358  
Carburetor Overhaul Kit-Reference 121

Valve Gasket Set-Reference 1095

2810-9

**Assemblies include all parts shown in frames.**

04/12/2012

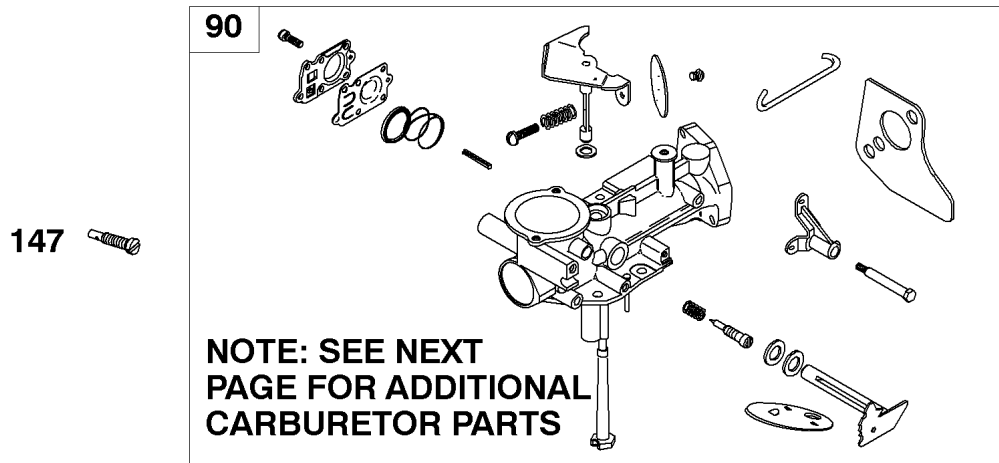


## Camshaft

| REF NO | PART NO | QTY | DESCRIPTION                                       |
|--------|---------|-----|---|
| 46     | 691166  |     | CAMSHAFT<br>-Used After Code Date 96112400        |
| 219    | 391737  |     | GEAR, Governor<br>-Used Before Code Date 91061000 |
| 219    | 494845  |     | GEAR, Governor<br>-Used After Code Date 91060900  |
| 220    | 691724  |     | WASHER<br>-(Governor Gear)                        |

Not For In Reproduction

**135200 to 135299**



| REF. NO. | PART NO. | DESCRIPTION  | REF. NO. | PART NO. | DESCRIPTION   | REF. NO. | PART NO. | DESCRIPTION   |
|----------|----------|--|----------|----------|---|----------|----------|---|
| 90       | 498298   | Carburetor<br>----- Note -----<br>495951 Carburetor<br>Used on Type No(s).<br>0185, 0263.<br>495425 Carburetor<br>Used on Type No(s).<br>0214.<br>498298 Carburetor<br>Used on Type No(s).<br>0309, 0603, 0607,<br>0611, 0615, 0616,<br>0620, 0623, 0625,<br>0626, 0635, 0636,<br>0638, 0649, 0660,<br>0670, 0671, 0679,<br>0700, 0702, 0704,<br>0717, 0706, 0727,<br>0728, 0729, 0730,<br>0740, 0747, 0752,<br>0757, 0758, 0759,<br>0762, 0767, 0772,<br>0779, 0780, 0784,<br>0788, 0790, 0814,<br>0815, 0913, 1003,<br>1004, 1005, 1007,<br>1008, 1009, 1011,<br>1019, 1020, 1023,<br>1025, 1027, 1029,<br>1035, 1036, 1049,<br>1050, 1060, 1070,<br>1071, 1073, 1079,<br>1080, 1084, 1105,<br>1106, 1119, 1127,<br>1128, 1129, 1139,<br>1140, 1142, 1143,<br>1146, 1147, 1153,<br>1154, 1157, 1158, |          |          | 1159, 1161, 1167,<br>1169, 1171, 1173,<br>1179, 1180, 1190,<br>1194, 1196, 1197,<br>1200, 1215, 1216,<br>1217, 1219, 1223,<br>1231, 1232, 1238,<br>1242, 1245, 1246,<br>1250, 1258, 1259,<br>1261, 1268, 1271,<br>1276, 1281, 1283,<br>1284, 1288, 1289,<br>1289, 1299, 1301,<br>1304, 1308, 1310,<br>1313, 1314, 1315,<br>1317, 1318, 1320,<br>1324, 1326, 1328,<br>1329, 1330, 1333,<br>1336, 1337, 1338,<br>1340, 1342, 1343,<br>1345. |          |          | 0788, 0790, 0814,<br>0815, 0913, 1003,<br>1004, 1005, 1007,<br>1008, 1009, 1011,<br>1019, 1020, 1023,<br>1025, 1027, 1029,<br>1035, 1036, 1049,<br>1050, 1060, 1070,<br>1071, 1073, 1079,<br>1080, 1084, 1105,<br>1106, 1119, 1127,<br>1128, 1129, 1139,<br>1140, 1142, 1143,<br>1146, 1147, 1153,<br>1154, 1157, 1158,             |
|          |          |  | 147      | 691250   | Jet-Pilot<br>(Standard)<br>Used on Type No(s).<br>0309, 0603, 0607,<br>0611, 0615, 0616,<br>0620, 0623, 0625,<br>0626, 0635, 0636,<br>0638, 0649, 0660,<br>0670, 0671, 0679,<br>0700, 0702, 0704,<br>0717, 0706, 0727,<br>0728, 0729, 0730,<br>0740, 0747, 0752,<br>0757, 0758, 0759,<br>0762, 0767, 0772,<br>0779, 0780, 0784,   |          |          | 1231, 1232, 1238,<br>1242, 1245, 1246,<br>1250, 1258, 1259,<br>1261, 1268, 1271,<br>1276, 1281, 1283,<br>1284, 1288, 1289,<br>1289, 1299, 1301,<br>1304, 1308, 1313,<br>1314, 1315, 1317,<br>1318, 1320, 1324,<br>1326, 1328, 1329,<br>1330, 1333, 1336,<br>1337, 1338, 1340,<br>1342, 1343.<br>692725 Jet-Pilot<br>(High Altitude) |

Engine Gasket Set-Reference 358  
Carburetor Overhaul Kit-Reference 121

Valve Gasket Set-Reference 1095

2810-10

Assemblies include all parts shown in frames.

04/12/2012

## *Carburetor Group*

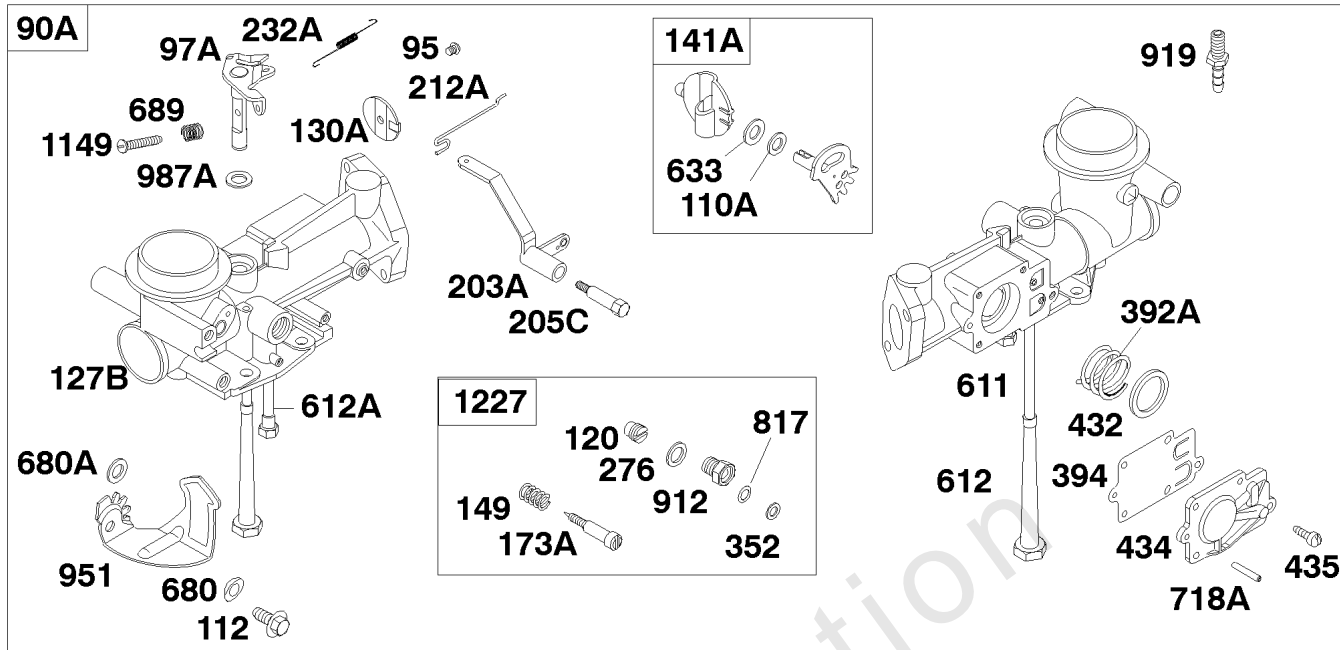
---

| REF NO | PART NO | QTY | DESCRIPTION               |
|--------|---------|-----|---------------------------|
| 90     | 498298  |     | CARBURETOR                |
| 147    | 691250  |     | JET, Pilot<br>-(Standard) |

---

Not For In Reproduction

135200 to 135299



| REF. NO. | PART NO. | DESCRIPTION  | REF. NO. | PART NO. | DESCRIPTION   | REF. NO. | PART NO. | DESCRIPTION  |
|----------|----------|--|----------|----------|---|----------|----------|--|
| 51       | 27355    | Gasket-Intake<br>Used on Type No(s).<br>0299, 1101, 1012,<br>1309.   | 205C     | 691630   | Screw<br>(Steel, Long)  | 680      | 691089   | Washer<br>(Felt)<br>(Choke Lever)  |
| 90A      | 397135   | Carburetor<br>Used on Type No(s).<br>1011, 1012.<br>----- Note -----<br>299437 Carburetor<br>Used on Type No(s).<br>0299.<br>498298 Carburetor<br>Used on Type No(s).<br>1309. | 212A     | 691786   | Link-Throttle<br>Used on Type No(s).<br>0299, 1101, 1012,<br>1309.        | 680A     | 691607   | Washer<br>(Choke Lever)<br>(Spring)  |
| 95       | 691437   | Screw<br>(Throttle Valve)  | 232A     | 690498   | Spring-Governor Link<br>Used on Type No(s).<br>0299, 1101, 1012,<br>1309. | 689      | 691783   | Spring-Friction<br>(6 Coil, Closed Ends,<br>Idle Screw)  |
| 97A      | 691946   | Shaft-Throttle<br>Used on Type No(s).<br>0299, 1101, 1012,<br>1309.  | 276      | 691608   | Washer-Sealing  | 718A     | 690296   | Pin-Locating<br>(Pump Cover)   |
| 110A     | 690401   | Washer<br>(Choke Shaft)<br>(Brass)   | 352      | 690257   | Washer<br>(High Speed Valve)  | 817      | 691606   | Seal-O Ring<br>(High Speed Valve)  |
| 112      | 691091   | Screw<br>(Choke Lever)   | 392A     | 692206   | Spring-Pump<br>Diaphragm  | 912      | 690504   | Nut-Needle Valve   |
| 120      | 692134   | Seat-Needle Valve  | 393      | 691213   | Screen-Carburetor   | 919      | 692783   | Connector-Vacuum<br>Tube   |
| 127B     | 691585   | Plug-Welch   | 394      | 272538   | Diaphragm-Carburetor<br>(Pump)  | 951      | 691180   | Lever-Choke  |
| 130A     | 211203   | Valve-Throttle   | 432      | 690766   | Cap-Spring  | 987A     | 692279   | Seal-Throttle Shaft<br>(Felt)<br>----- Note -----<br>270167 Seal-Throttle<br>Shaft<br>(Felt)<br>Used on Type No(s).<br>0299. |
| 141A     | 397134   | Kit-Choke Shaft  | 434      | 691713   | Cover-Diaphragm   | 1149     | 691624   | Screw<br>(Throttle Shaft)<br>(Idle Speed Adjusting<br>Only)  |
| 149      | 691592   | Spring-Needle Valve  | 435      | 691619   | Screw<br>(Diaphragm Cover)  | 1227     | 299060   | Valve-High Speed   |
| 173A     | 690266   | Valve-Idle Mixture<br>(Main)   | 611      | 691770   | Pipe-Fuel   |          |          |  |
| 203A     | 691965   | Crank-Bell   | 612      | 391813   | Tube-Pick Up<br>(Uses Clip Spring)  |          |          |  |
|          |          |  | 612A     | 497413   | Tube-Pick Up<br>(Uses Spiral Pin)   |          |          |  |
|          |          |  | 633      | 691869   | Seal-Choke/Throttle<br>Shaft  |          |          |  |

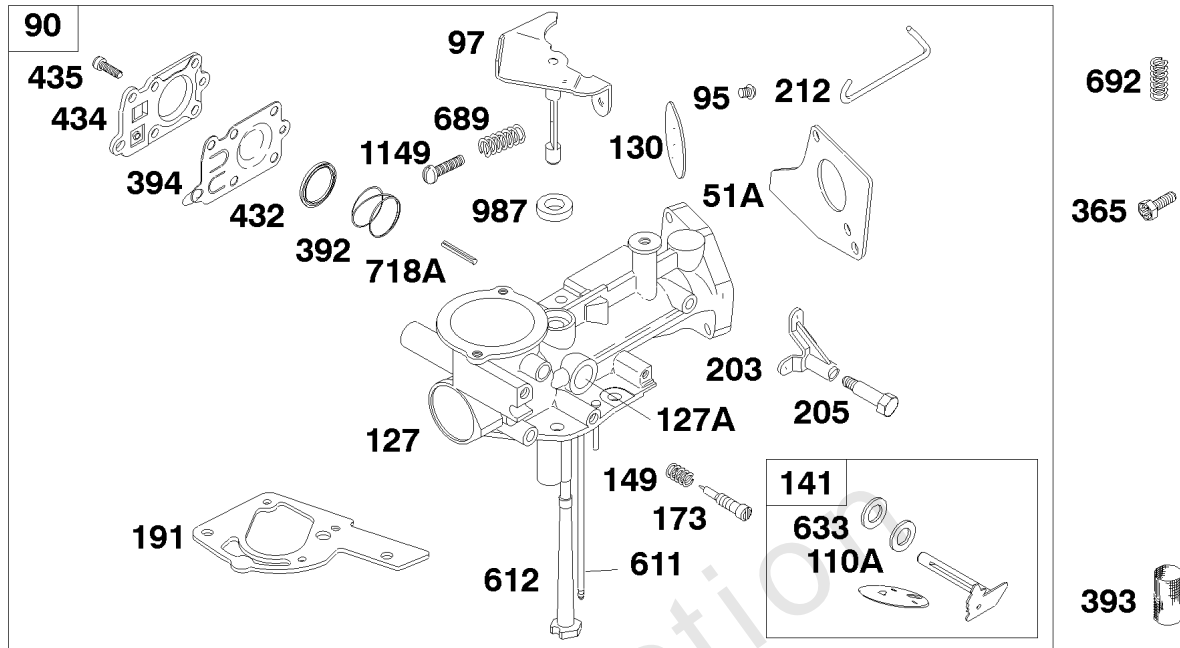
Engine Gasket Set-Reference 358  
Carburetor Overhaul Kit-Reference 121

Valve Gasket Set-Reference 1095

## Carburetor Group 2

| REF NO | PART NO | QTY | DESCRIPTION  |
|--------|---------|-----|--|
| 51     | 273113S |     | GASKET, Intake   |
| 95     | 691437  |     | SCREW<br>-(Throttle Valve)                             |
| 110A   | 690401  |     | WASHER<br>-(Choke Shaft) (Brass)                       |
| 112    | 691091  |     | SCREW<br>-(Choke Lever)                                |
| 120    | 692134  |     | SEAT, Needle Valve                                     |
| 127B   | 691585  |     | PLUG, Welch  |
| 130A   | 211203  |     | VALVE, Throttle  |
| 141A   | 397134  |     | KIT, Choke Shaft                                       |
| 149    | 691592  |     | SPRING, Needle Valve                                   |
| 173A   | 690266  |     | VALVE, Idle Mixture<br>-(Main)                         |
| 203A   | 691965  |     | CRANK, Bell<br>-(Steel)()                              |
| 203A   | 691744  |     | CRANK, Bell<br>-(Steel)                                |
| 205C   | 691630  |     | SCREW<br>-(Bell Crank)                                 |
| 232A   | 690498  |     | SPRING/LINK, Governor                                  |
| 276    | 691608  |     | WASHER, Sealing  |
| 352    | 690257  |     | WASHER<br>-(High Speed Valve)                          |
| 393    | 691213  |     | SCREEN, Carburetor                                     |
| 394    | 272538S |     | DIAPHRAGM, Carburetor                                  |
| 432    | 690766  |     | CAP, Spring  |
| 434    | 691713  |     | COVER, Diaphragm                                       |
| 435    | 691619  |     | SCREW<br>-(Diaphragm Cover)                            |
| 611    | 691770  |     | LINE, Fuel   |
| 612    | 391813  |     | TUBE, Pick Up<br>-(Uses Spring Clip)                   |
| 612A   | 497413S |     | TUBE, Pick Up<br>-(Uses Spiral Pin)(1/4 )              |
| 633    | 691869  |     | SEAL, Choke/Throttle Shaft                             |
| 680    | 691089  |     | WASHER<br>-(Choke Lever) (Spring)                      |
| 680A   | 691607  |     | WASHER<br>-(Choke Lever) (Flat Washer)                 |
| 689    | 691783  |     | SPRING, Friction<br>-(Idle Speed Adjusting Only)       |
| 718A   | 690296  |     | PIN, Locating<br>-(Pump Cover)                         |
| 817    | 691606  |     | SEAL, O-Ring<br>-(High Speed Valve)                    |
| 912    | 690504  |     | NUT, Needle Valve                                      |
| 919    | 692783  |     | CONNECTOR, Vacuum Tube                                 |
| 951    | 690436  |     | LEVER, Choke   |
| 951    | 691180  |     | LEVER, Choke   |
| 987A   | 692279  |     | SEAL, Choke/Throttle Shaft<br>-(Felt)(5/8)             |
| 1149   | 691624  |     | SCREW<br>-(Throttle Shaft) (Idle Speed Adjusting Only) |
| 1227   | 299060  |     | VALVE, High Speed<br>-(Threaded)                       |

135200 to 135299



| REF. NO. | PART NO. | DESCRIPTION  | REF. NO. | PART NO. | DESCRIPTION  | REF. NO. | PART NO. | DESCRIPTION  |
|----------|----------|--|----------|----------|--|----------|----------|--|
| 51A      | 273113   | Gasket-Intake Carburetor   | 191      | 692241   | Gasket-Fuel Tank   | 633      | 691869   | Seal-Choke/Throttle Shaft                          |
| 90       |          | (See Previous Page)  | 203      | 691906   | Crank-Bell (Standard, Nylon)   |          |          | (Choke Shaft) (Felt)                               |
| 95       | 691437   | Screw (Throttle Valve)   | 205      | 691776   | Screw (Bell Crank)   | 689      | 691783   | Spring-Friction (Idle Screw)                       |
| 97       | 692325   | Shaft-Throttle   | 212      | 691812   | Link-Throttle  | 692      | 690572   | Spring-Detent (Used On Part 498298 Carburetor)     |
| 110A     | 690401   | Washer (Choke Shaft) (Brass)   | 365      | 690953   | Screw (Carburetor)   | 718A     | 690296   | Pin-Locating (Pump Cover)                          |
| 127      | 691718   | Plug-Welch   | 392      | 691823   | Spring-Pump Diaphragm  | 987      | 695273   | Seal-Throttle Shaft (Foam)                         |
| 127A     | 691742   | Plug-Welch   | 393      | 691213   | Screen-Carburetor  | 1149     | 691624   | Screw (Throttle Shaft) (Idle Speed Adjusting Only) |
| 130      | 691743   | Valve-Throttle   | 394      | 272538   | Diaphragm-Carburetor   |          |          |  |
| 141      | 497230   | Kit-Choke Shaft (Used After Code Date 94083100).<br>----- Note -----<br>491177 Kit-Choke Shaft (Used Before Code Date 94090100). | 432      | 690766   | Cap-Spring   |          |          |  |
| 149      | 691592   | Spring-Needle Valve  | 434      | 691713   | Cover-Diaphragm  |          |          |  |
| 173      | 691777   | Valve-Idle Mixture (Idle)  | 435      | 691619   | Screw (Diaphragm Cover)  |          |          |  |
|          |          |  | 611      | 691770   | Pipe-Fuel  |          |          |  |
|          |          |  | 612      | 391813   | Tube-Pick Up (Uses Clip Spring)<br>----- Note -----<br>297219 Tube-Pick Up (Uses Spiral Pin) Used on Type No(s). 0214. |          |          |  |

Engine Gasket Set-Reference 358  
Carburetor Overhaul Kit-Reference 121

Valve Gasket Set-Reference 1095

2810-11

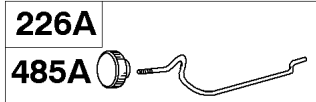
Assemblies include all parts shown in frames.

04/12/2012

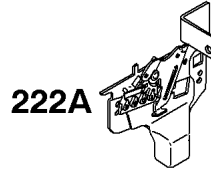
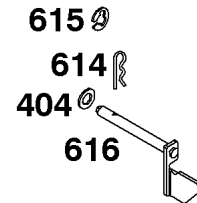
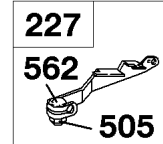
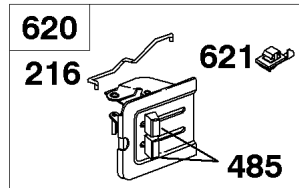
## Carburetor Group-Parts

| REF NO | PART NO | QTY | DESCRIPTION  |
|--------|---------|-----|--|
| 90     | 498298  |     | CARBURETOR   |
| 95     | 691437  |     | SCREW<br>-(Throttle Valve)                             |
| 97     | 692325  |     | SHAFT, Throttle  |
| 110A   | 690401  |     | WASHER<br>-(Choke Shaft) (Brass)                       |
| 127    | 691718  |     | PLUG, Welch  |
| 127A   | 691742  |     | PLUG, Welch  |
| 130    | 691743  |     | VALVE, Throttle  |
| 141    | 497230  |     | KIT, Choke Shaft<br>-Used After Code Date 94083100     |
| 149    | 691592  |     | SPRING, Needle Valve                                   |
| 173    | 691777  |     | VALVE, Idle Mixture                                    |
| 191    | 692241  |     | GASKET, Fuel Tank                                      |
| 203    | 691906  |     | CRANK, Bell<br>-(Standard)(Nylon)                      |
| 205    | 691776  |     | SCREW<br>-(Bell Crank)                                 |
| 212    | 691812  |     | LINK, Throttle   |
| 365    | 690953  |     | SCREW<br>-(Carburetor/Throttle Body)                   |
| 392    | 691823  |     | SPRING, Pump Diaphragm                                 |
| 393    | 691213  |     | SCREEN, Carburetor                                     |
| 394    | 272538S |     | DIAPHRAGM, Carburetor                                  |
| 432    | 690766  |     | CAP, Spring  |
| 434    | 691713  |     | COVER, Diaphragm                                       |
| 435    | 691619  |     | SCREW<br>-(Diaphragm Cover)                            |
| 611    | 691770  |     | LINE, Fuel   |
| 612    | 391813  |     | TUBE, Pick Up<br>-(Uses Spring Clip)                   |
| 633    | 691869  |     | SEAL, Choke/Throttle Shaft                             |
| 689    | 691783  |     | SPRING, Friction<br>-(Idle Speed Adjusting Only)       |
| 692    | 690572  |     | SPRING, Detent<br>-(Used On Part 498298 Carburetor)    |
| 718A   | 690296  |     | PIN, Locating<br>-(Pump Cover)                         |
| 987    | 695273  |     | SEAL, Choke/Throttle Shaft<br>-(Foam)                  |
| 1149   | 691624  |     | SCREW<br>-(Throttle Shaft) (Idle Speed Adjusting Only) |

135200 to 135299



- 688
- 689A
- 1197
- 729A
- 367



| REF. NO. | PART NO. | DESCRIPTION   | REF. NO. | PART NO. | DESCRIPTION                           | REF. NO. | PART NO. | DESCRIPTION  |
|----------|----------|---|----------|----------|---------------------------------------|----------|----------|--|
| 216      | 691824   | Link-Choke (Manual)   | 404      | 691691   | Washer (Governor Crank)               | 614      | 691620   | Pin-Cotter   |
| 222A     | 690816   | Bracket-Control (Gear and Rack) Used on Type No(s). 0214.           | 485      | 692295   | Knob-Control (Slide)                  | 615      | 93307    | Retainer-E Ring                                      |
| 226A     | 399109   | Rod-Hand Choke (Rod Assembly)                                       | 485A     | 391908   | Knob-Control                          | 616      | 692016   | Crank-Governor                                       |
| 227      | 690653   | Lever-Governor Control  | 505      | 691251   | Nut (Governor Control Lever)          | 620      | 490649   | Bracket-Control (Panel)                              |
|          |          | ----- Note -----  |          |          |                                       | 621      | 692310   | Switch-Stop  |
|          |          | 692357 Lever-Governor Control Used on Type No(s). 0299, 1011, 1012. | 562      | 691119   | Bolt (Governor Control Lever) (Round) | 688      | 690395   | Cap-Friction   |
| 367      | 94025    | Screw (Wire Clip)   |          |          |                                       | 689A     | 690529   | Spring-Friction (Conical Spring, Hand Choke Control) |
|          |          |   |          |          |                                       | 729A     | 93784    | Clip-Wire (Clamp, Steel)                             |
|          |          |   |          |          |                                       | 1197     | 92484    | Screw (Hand Choke Rod)                               |

Engine Gasket Set-Reference 358  
Carburetor Overhaul Kit-Reference 121

Valve Gasket Set-Reference 1095

2810-13

Assemblies include all parts shown in frames.

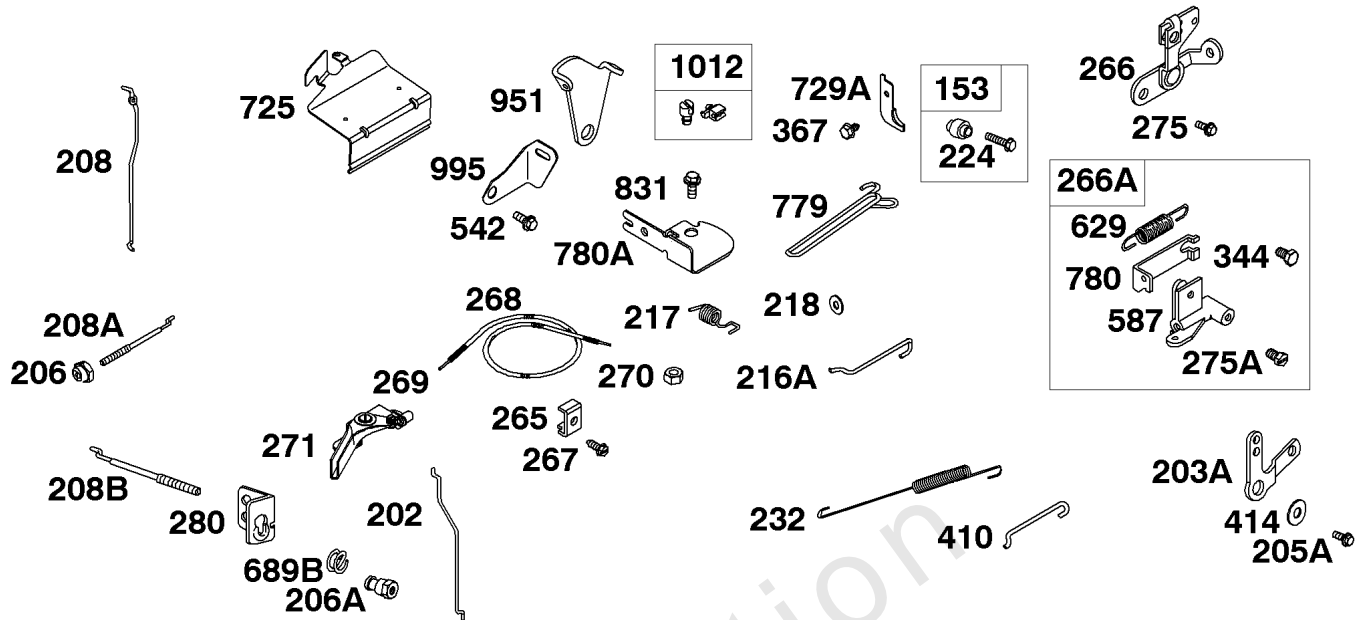
04/12/2012



## Controls

| REF NO | PART NO | QTY | DESCRIPTION                               |
|--------|---------|-----|---|
| 216    | 691824  |     | LINK, Choke<br>-(Manual)                  |
| 226A   | 399109  |     | ROD, Choke<br>-(Rod Assembly)             |
| 227    | 690653  |     | LEVER, Governor Control                   |
| 367    | 691660  |     | SCREW<br>-(Wire Clip)                     |
| 404    | 691691  |     | WASHER<br>-(Governor Crank)               |
| 485    | 692295  |     | KNOB, Air Cleaner Cover<br>-(Slide)       |
| 485A   | 391908  |     | KNOB, Air Cleaner Cover<br>-(Round)       |
| 505    | 691251  |     | NUT<br>-(Governor Control Lever)          |
| 562    | 691119  |     | BOLT<br>-(Governor Control Lever)         |
| 614    | 691620  |     | PIN, Cotter                               |
| 615    | 93307   |     | RETAINER, Governor Shaft                  |
| 616    | 692016  |     | CRANK, Governor                           |
| 620    | 490649  |     | BRACKET, Control                          |
| 621    | 692310  |     | SWITCH, Stop                              |
| 688    | 690395  |     | CAP, Friction                             |
| 689A   | 690529  |     | SPRING, Friction<br>-(Hand Choke Control) |
| 729A   | 690471  |     | CLIP, Wire                                |
| 1197   | 92484   |     | SCREW<br>-(Hand Choke Rod)                |

135200 to 135299



| REF. NO. | PART NO. | DESCRIPTION   | REF. NO. | PART NO. | DESCRIPTION                                     | REF. NO. | PART NO. | DESCRIPTION                              |
|----------|----------|---|----------|----------|---|----------|----------|--|
| 153      | 490589   | Kit-Collar/Screw  | 218      | 691722   | Washer<br>(Choke Link)                          | 367      | 691660   | Screw<br>(Wire Clip)                     |
| 202      | 691814   | Link-Mechanical Governor                                    | 224      | 690320   | Screw<br>(Collar/Screw Kit)                     | 410      | 691274   | Link-Control<br>(Bell Crank)             |
|          |          | ----- Note -----  | 232      | 691819   | Spring-Governor Link                            | 414      | 691721   | Washer<br>(Bell Crank)                   |
|          |          | 261558 Link-Mechanical Governor                             | 265      | 691024   | Clamp-Casing                                    | 542      | 691683   | Screw<br>(Link Bracket)                  |
|          |          | Used on Type No(s). 0299, 1011, 1012.                       | 266      | 691414   | Control-Throttle<br>(Remote/Governor Idle)      | 587      | 690769   | Clamp-Cable                              |
| 203A     | 691744   | Crank-Bell<br>(Steel)                                       | 266A     | 692316   | Control-Throttle<br>(Kit with Spring)           | 629      | 690457   | Spring-Throttle Return                   |
| 205A     | 690320   | Screw<br>(Bell Crank)                                       | 267      | 690804   | Screw<br>(Casing Clamp)                         | 689B     | 692522   | Spring-Friction<br>(4 Coil, Closed Ends) |
| 206      | 690325   | Nut-Governor Adjusting<br>(Governor Idle)                   | 268      | 691025   | Casing-Control Wire<br>(Cut To Required Length) | 725      | 690440   | Shield-Heat<br>(Fuel Tank)               |
| 206A     | 691771   | Nut-Governor Adjusting<br>(Fixed Speed)                     | 269      | 691026   | Wire-Control<br>(Cut To Required Length)        | 729A     | 690471   | Clip-Wire<br>(Steel)                     |
| 208      | 691813   | Rod-Governor Control<br>(Non Threaded)                      | 270      | 691027   | Nut<br>(Control Wire Casing)                    | 779      | 691828   | Link-Bell Crank                          |
| 208A     | 691820   | Rod-Governor Control<br>(Threaded)<br>(Governor Idle Speed) | 271      | 691028   | Lever-Control                                   | 780      | 690594   | Anchor-Spring<br>(Throttle Control)      |
| 208B     | 691821   | Rod-Governor Control<br>(Fixed Speed)                       | 275      | 691683   | Screw<br>(Throttle Control)                     | 780A     | 691211   | Anchor-Spring<br>(Governor Idle)         |
| 216A     | 691271   | Link-Choke<br>(Choke A Matic)                               | 275A     | 691646   | Screw<br>(Throttle Control)                     | 831      | 691683   | Screw<br>(Spring Anchor)                 |
| 217      | 691815   | Spring-Choke Return   | 280      | 691184   | Bracket-Rod                                     | 951      | 690436   | Lever-Choke<br>(Choke A Matic)           |
|          |          |   | 344      | 691645   | Screw<br>(Cable Clamp)                          | 995      | 691756   | Bracket-Link                             |
|          |          |   |          |          |   | 1012     | 490507   | Retainer-Link                            |

Engine Gasket Set-Reference 358  
Carburetor Overhaul Kit-Reference 121

Valve Gasket Set-Reference 1095

2810-14

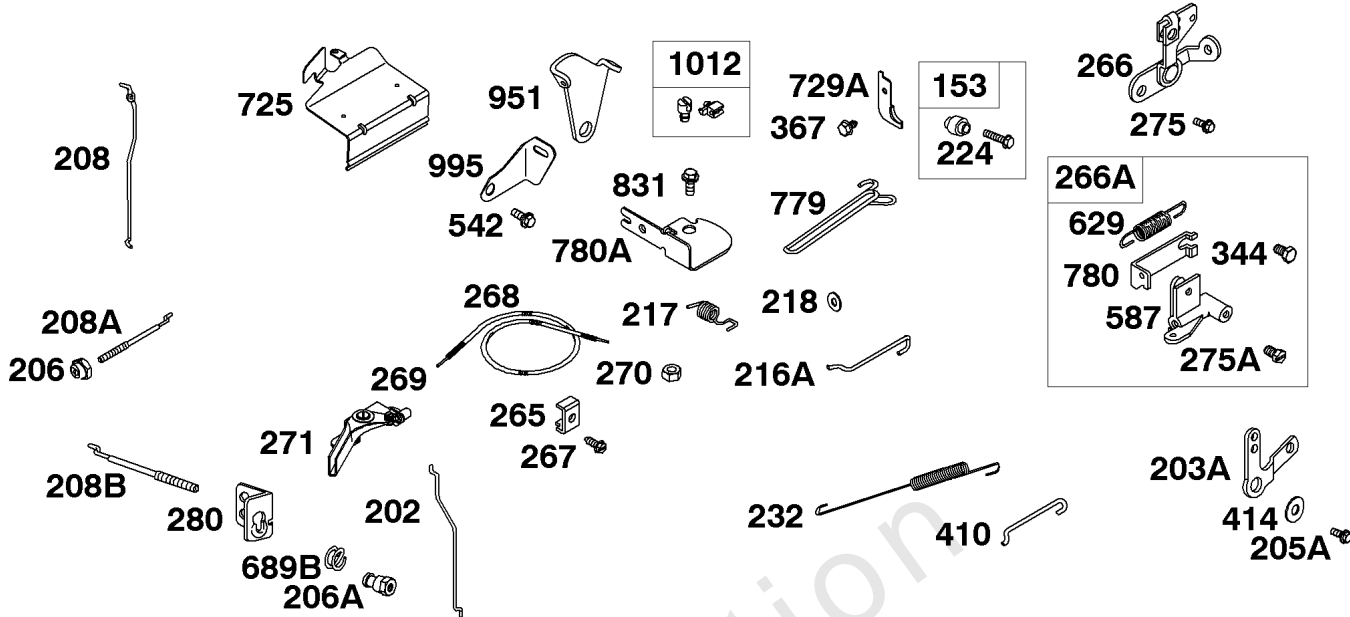
Assemblies include all parts shown in frames.

04/12/2012

## Controls 2

| REF NO | PART NO | QTY | DESCRIPTION                                       |
|--------|---------|-----|---|
| 153    | 490589  |     | SCREW<br>-(Carburetor)                            |
| 202    | 691814  |     | LINK, Mechanical Governor                         |
| 203A   | 691965  |     | CRANK, Bell<br>-(Steel)()                         |
| 203A   | 691744  |     | CRANK, Bell<br>-(Steel)                           |
| 205A   | 691683  |     | SCREW<br>-(Bell Crank) (Standard)(Nylon)          |
| 206    | 690325  |     | NUT, Governor Adjusting<br>-(Governor Idle)       |
| 206A   | 691771  |     | NUT, Governor Adjusting<br>-(Fixed Speed)         |
| 208    | 691813  |     | ROD, Governor Control<br>-(Non Threaded)          |
| 208A   | 691820  |     | ROD, Governor Control                             |
| 208B   | 691821  |     | ROD, Governor Control<br>-(Fixed Speed)           |
| 216A   | 691271  |     | LINK, Choke<br>-(Choke A Matic)                   |
| 217    | 691815  |     | SPRING, Choke Return                              |
| 218    | 691722  |     | WASHER<br>-(Choke Link)                           |
| 224    | 690320  |     | SCREW<br>-(Collar/Screw Kit)                      |
| 232    | 691819  |     | SPRING/LINK, Governor                             |
| 265    | 691024  |     | CLAMP, Casing                                     |
| 266    | 691414  |     | CONTROL, Throttle<br>-(Remote Governor/Idle)      |
| 267    | 690804  |     | SCREW<br>-(Casing Clamp)                          |
| 268    | 691025  |     | CASING, Control Wire<br>-(Cut To Required Length) |
| 269    | 691026  |     | WIRE, Control<br>-(Cut To Required Length)        |
| 270    | 691027  |     | NUT<br>-(Control Wire Casing)                     |
| 271    | 691028  |     | LEVER, Control                                    |
| 275    | 691683  |     | SCREW<br>-(Throttle Control)                      |
| 275A   | 691646  |     | SCREW<br>-(Throttle Control)                      |
| 280    | 691184  |     | BRACKET, Rod                                      |
| 344    | 691645  |     | SCREW<br>-(Cable Clamp)                           |
| 367    | 691660  |     | SCREW<br>-(Wire Clip)                             |
| 410    | 691274  |     | LINK, Control                                     |
| 414    | 691721  |     | WASHER<br>-(Bell Crank)                           |
| 542    | 691683  |     | SCREW<br>-(Link Bracket)                          |
| 587    | 690769  |     | CLAMP, Cable                                      |
| 629    | 690457  |     | SPRING, Throttle Return<br>-(Throttle Return)     |
| 689B   | 692522  |     | SPRING, Friction<br>-(Governor Control Rod)       |
| 725    | 690440  |     | SHIELD, Heat<br>-(Fuel Tank)                      |

# 135200 to 135299



| REF. NO. | PART NO. | DESCRIPTION   | REF. NO. | PART NO. | DESCRIPTION                                     | REF. NO. | PART NO. | DESCRIPTION                              |
|----------|----------|---|----------|----------|---|----------|----------|--|
| 153      | 490589   | Kit-Collar/Screw  | 218      | 691722   | Washer<br>(Choke Link)                          | 367      | 691660   | Screw<br>(Wire Clip)                     |
| 202      | 691814   | Link-Mechanical Governor                                    | 224      | 690320   | Screw<br>(Collar/Screw Kit)                     | 410      | 691274   | Link-Control<br>(Bell Crank)             |
|          |          | ----- Note -----  | 232      | 691819   | Spring-Governor Link                            | 414      | 691721   | Washer<br>(Bell Crank)                   |
|          |          | 261558 Link-Mechanical Governor                             | 265      | 691024   | Clamp-Casing                                    | 542      | 691683   | Screw<br>(Link Bracket)                  |
|          |          | Used on Type No(s). 0299, 1011, 1012.                       | 266      | 691414   | Control-Throttle<br>(Remote/Governor Idle)      | 587      | 690769   | Clamp-Cable                              |
| 203A     | 691744   | Crank-Bell<br>(Steel)                                       | 266A     | 692316   | Control-Throttle<br>(Kit with Spring)           | 629      | 690457   | Spring-Throttle Return                   |
| 205A     | 690320   | Screw<br>(Bell Crank)                                       | 267      | 690804   | Screw<br>(Casing Clamp)                         | 689B     | 692522   | Spring-Friction<br>(4 Coil, Closed Ends) |
| 206      | 690325   | Nut-Governor Adjusting<br>(Governor Idle)                   | 268      | 691025   | Casing-Control Wire<br>(Cut To Required Length) | 725      | 690440   | Shield-Heat<br>(Fuel Tank)               |
| 206A     | 691771   | Nut-Governor Adjusting<br>(Fixed Speed)                     | 269      | 691026   | Wire-Control<br>(Cut To Required Length)        | 729A     | 690471   | Clip-Wire<br>(Steel)                     |
| 208      | 691813   | Rod-Governor Control<br>(Non Threaded)                      | 270      | 691027   | Nut<br>(Control Wire Casing)                    | 779      | 691828   | Link-Bell Crank                          |
| 208A     | 691820   | Rod-Governor Control<br>(Threaded)<br>(Governor Idle Speed) | 271      | 691028   | Lever-Control                                   | 780      | 690594   | Anchor-Spring<br>(Throttle Control)      |
| 208B     | 691821   | Rod-Governor Control<br>(Fixed Speed)                       | 275      | 691683   | Screw<br>(Throttle Control)                     | 780A     | 691211   | Anchor-Spring<br>(Governor Idle)         |
| 216A     | 691271   | Link-Choke<br>(Choke A Matic)                               | 275A     | 691646   | Screw<br>(Throttle Control)                     | 831      | 691683   | Screw<br>(Spring Anchor)                 |
| 217      | 691815   | Spring-Choke Return   | 280      | 691184   | Bracket-Rod                                     | 951      | 690436   | Lever-Choke<br>(Choke A Matic)           |
|          |          |   | 344      | 691645   | Screw<br>(Cable Clamp)                          | 995      | 691756   | Bracket-Link                             |
|          |          |   |          |          |   | 1012     | 490507   | Retainer-Link                            |

Engine Gasket Set-Reference 358  
Carburetor Overhaul Kit-Reference 121

Valve Gasket Set-Reference 1095

2810-14

**Assemblies include all parts shown in frames.**

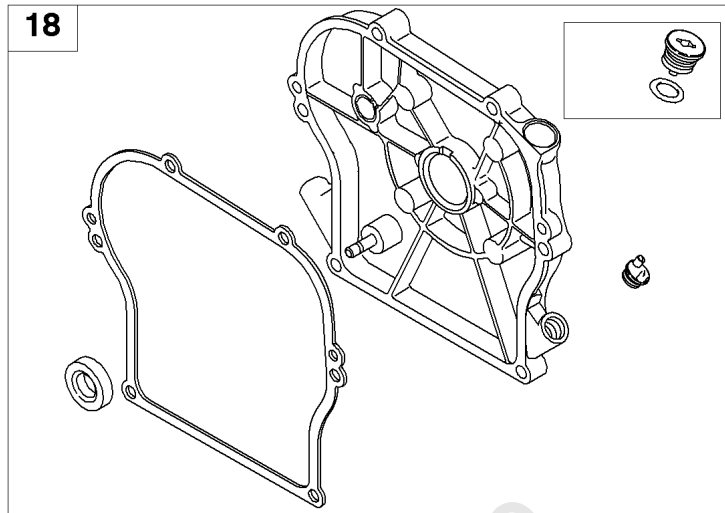
04/12/2012

## Controls 2

| REF NO | PART NO | QTY | DESCRIPTION                                 |
|--------|---------|-----|---|
| 729A   | 690471  |     | CLIP, Wire                                  |
| 779    | 691828  |     | LINK, Bell Crank                            |
| 780A   | 691211  |     | ANCHOR, Spring<br>-(Governor Idle)          |
| 831    | 691683  |     | SCREW<br>-(Spring Anchor)                   |
| 951    | 690436  |     | LEVER, Choke                                |
| 951    | 691180  |     | LEVER, Choke                                |
| 995    | 691756  |     | BRACKET, Link                               |
| 1012   | 490507  |     | RETAINER, Link                              |
| 1303   | 690594  |     | CLAMP, Speed Control<br>-(Throttle Control) |

Not For In Reproduction

**135200 to 135299**



| REF. NO. | PART NO. | DESCRIPTION   | REF. NO. | PART NO. | DESCRIPTION                        | REF. NO. | PART NO. | DESCRIPTION                       |
|----------|----------|---|----------|----------|------------------------------------|----------|----------|-----------------------------------|
| 18       | 694377   | Cover-Crankcase<br>(Gear Reduction)<br>----- <b>Note</b> -----<br>694375 Cover-Crankcase<br>(Auxillary PTO) |          | 694350   | Cover-Crankcase<br>(Plain Bearing) |          | 694319   | Cover-Crankcase<br>(Ball Bearing) |

Engine Gasket Set-Reference 358  
Carburetor Overhaul Kit-Reference 121

Valve Gasket Set-Reference 1095

2810-7

**Assemblies include all parts shown in frames.**

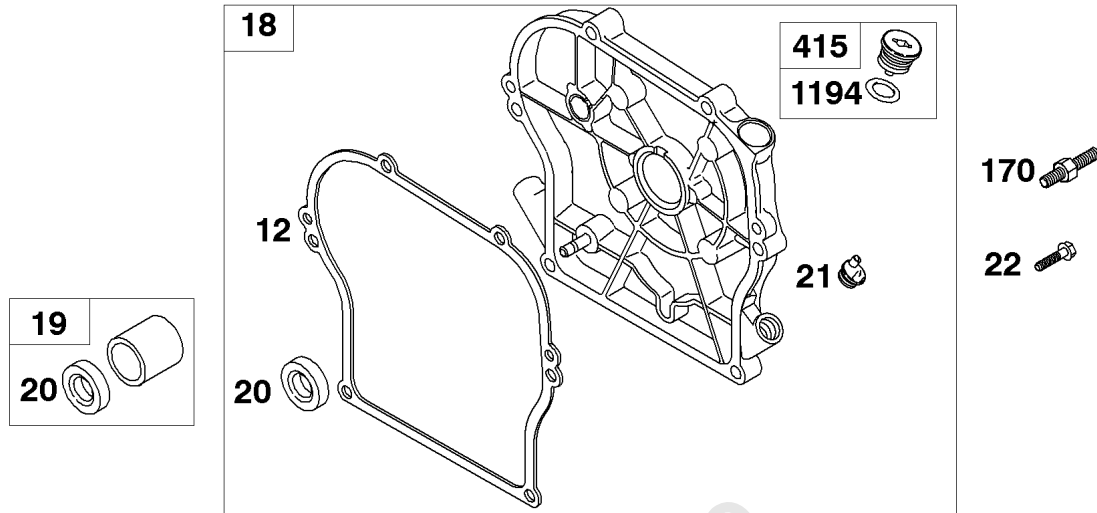
04/12/2012

## Crankcase Cover/Sump

| REF NO | PART NO | QTY | DESCRIPTION                               |
|--------|---------|-----|---|
| 18     | -----   |     | Cover-Crankcase<br>-(NO LONGER AVAILABLE) |
| 18     | 694319  |     | COVER, Crankcase                          |
| 18     | 694350  |     | COVER, Crankcase<br>-(Plain Bearing)      |
| 18     | 694377  |     | COVER, Crankcase<br>-(Gear Reduction)     |

Not For In Reproduction

135200 to 135299



| REF. NO. | PART NO. | DESCRIPTION  | REF. NO. | PART NO.  | DESCRIPTION | REF. NO. | PART NO.  | DESCRIPTION   |
|----------|----------|--|----------|---|-------------|----------|---|---|
| 12       | 692213   | Gasket-Crankcase (Standard)  |          | 0284, 0285, 0289, 0293, 0295, 0304, 0306, 0309, 0310, 0315, 0316, 0320, 0324, 0603, 0611, 0615, 0616, 0620, 0625, 0670, 0671, 0704, 0706, 0727, 0728, 0757, 0758, 0759, 0780, 0784, 1003, 1004, 1005, 1011, 1016, 1020, 1025, 1070, 1071, 1105, 1119, 1127, 1128, 1142, 1153, 1154, 1157, 1158, 1159, 1169, 1171, 1180, 1194, 1231, 1232, 1238, 1245, 1258, 1259, 1260, 1261, 1263, 1271, 1276, 1281, 1284, 1289, 1299, 1304, 1310, 1315, 1320, 1324, 1329, 1336, 1337, 1338. |             |          | 0209, 0214, 0216, 0232, 0236, 0254, 0260, 0265, 0269, 0295, 0309, 0310, 0320, 0324, 0611, 0670, 0671, 0728, 0757, 0758, 0780, 1011, 1070, 1071, 1128, 1154, 1157, 1158, 1169, 1173, 1180, 1194, 1232, 1260, 1261, 1265, 1309, 1310, 1320, 1324, 1336, 1337, 1338, 1343. |   |
|          |          | ----- Note -----<br>270125 Gasket-Crankcase (.005" Thick)<br>270126 Gasket-Crankcase (.009" Thick)   |          | 691952 Seal-Oil (PTO Side)<br>Used on Type No(s).<br>0011, 0070, 0071, 0108, 0120, 0121, 0124, 0141, 0154, 0157, 0158, 0169, 0173, 0174, 0180, 0182, 0194, 0198, 0202, 0203, 0204, 0205, 0206, 0207,  |             |          | 692019 Seal-Oil (PTO Side)<br>Used on Type No(s).<br>0026, 0115, 0129, 0151, 0160, 0162, 0163, 0164, 0166, 0199, 0211, 0244, 0252, 0292, 0327, 0626, 0752, 1026, 1115, 1129, 1160, 1252, 1292, 1327.  |   |
| 18       |          | Cover-Crankcase (See Previous Page)  |          |   |             | 21       | 281658s   | Cap-Oil Fill  |
| 19       | 495660   | Kit-Bushing/Seal (PTO Side)  |          |   |             | 22       | 691551  | Screw (Crankcase Cover)                                   |
| 20       | 495307   | Seal-Oil (PTO Side)  |          |   |             | 170      | 691120  | Stud (Crankcase Cover, Install In #1 and/or #2 Positions) |
|          |          | ----- Note -----<br>294606 Seal-Oil (PTO Side)<br>Used on Type No(s).<br>0001, 0003, 0004, 0005, 0015, 0016, 0020, 0025, 0105, 0114, 0117, 0118, 0119, 0127, 0132, 0136, 0142, 0145, 0150, 0153, 0156, 0157, 0158, 0159, 0171, 0175, 0178, 0182, 0183, 0185, 0193, 0194, 0195, 0209, 0210, 0214, 0222, 0237, 0238, 0245, 0253, 0254, 0258, 0260, 0262, 0263, 0265, 0269, 0271, 0274, 0276, 0281, |          |   |             | 415      | 691363  | Plug (Crankcase Cover)                                    |
|          |          |  |          |   |             | 1194     | 691876  | Seal-O Ring (Plug)  |

Engine Gasket Set-Reference 358  
Carburetor Overhaul Kit-Reference 121

Valve Gasket Set-Reference 1095

2810-8

Assemblies include all parts shown in frames.

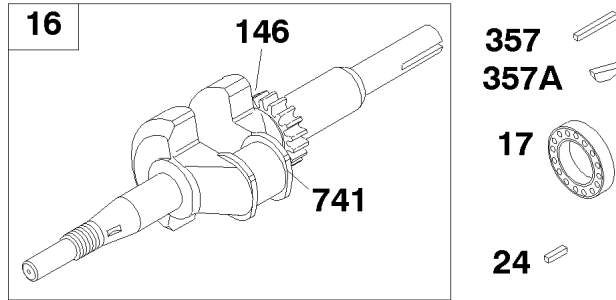
04/12/2012



## Crankcase Cover/Sump 2

| REF NO | PART NO | QTY | DESCRIPTION  |
|--------|---------|-----|--|
| 12     | 692213  |     | GASKET, Crankcase<br>-(Standard)   |
| 12     | 270125  |     | GASKET, Crankcase<br>-(.005)   |
| 12     | 270126  |     | GASKET, Crankcase<br>-(.009)   |
| 18     | 694350  |     | COVER, Crankcase<br>-(Plain Bearing)                                     |
| 18     | 694377  |     | COVER, Crankcase<br>-(Gear Reduction)                                    |
| 18     | -----   |     | Cover-Crankcase<br>-(NO LONGER AVAILABLE)                                |
| 18     | 694319  |     | COVER, Crankcase   |
| 20     | 294606S |     | SEAL, Oil<br>-(PTO Side) (PTO Side)(1-3/8 Outside Diameter With Spring)  |
| 20     | 691952  |     | SEAL, Oil<br>-(PTO Side) (Auxiliary PTO)(1 Outside Diameter With Spring) |
| 21     | 281658S |     | CAP, Oil Fill  |
| 22     | 692551  |     | SCREW<br>-(Crankcase Cover/Sump)   |
| 170    | 691120  |     | STUD<br>-(Crankcase Cover/Sump) (Install In Positions 1 And/Or 2)        |
| 309    | 690658  |     | MOTOR, Starter   |
| 415    | 691363  |     | PLUG<br>-(Crankcase Cover/Sump)  |
| 1194   | 691876  |     | SEAL, O-Ring<br>-(Plug)  |

135200 to 135299



| REF. NO. | PART NO. | DESCRIPTION   | REF. NO. | PART NO. | DESCRIPTION  | REF. NO. | PART NO. | DESCRIPTION  |  |  |  |
|----------|----------|---|----------|----------|--|----------|----------|--|--|--|--|
| 16       | 492088   | Crankshaft<br><b>(No Longer Available)</b><br><br>----- Note -----<br><b>397095</b> Crankshaft<br>Used on Type No(s).<br>0049, 0107, 0155,<br>0215, 0243, 0277,<br>0649, 1049, 1215.<br><b>397103</b> Crankshaft<br>Used on Type No(s).<br>0020, 0117, 0132,<br>0258, 0620, 0728,<br>0759, 1299, 1020,<br>1128, 1231, 1258,<br>1299.<br><b>494035</b> Crankshaft<br>Used on Type No(s).<br>0026, 0115, 0129,<br>0151, 0160, 0162,<br>0163, 0164, 0166,<br>0199, 0211, 0244,<br>0252, 0292, 0297,<br>0327, 0626, 0729,<br>0752, 1327, 1026,<br>1115, 1129, 1160,<br>1252, 1292, 1340.<br><b>692140</b> Crankshaft<br>Used on Type No(s).<br>1080, 1314.<br><b>495642</b> Crankshaft<br>Used on Type No(s).<br>0080, 0314.<br><b>495643</b> Crankshaft<br>Used on Type No(s).<br>0038, 0059, 0072,<br>0075, 0082, 0083,<br>0093, 0126, 0228,<br>0241, 0251, 0291,<br>0311, 0312, 0638,<br>0791, 1038, 1072,<br>1075, 1093, 1291,<br>1312. |          |          |  |          |          |  |  |  |  |
|          |          |   |          |          | <b>495644</b> Crankshaft<br>Used on Type No(s).<br>0035, 0084, 0131,<br>0247, 0301, 0326,<br>0635, 1035, 1084,<br>1301, 1326, 1328,<br>1333.<br><b>495645</b> Crankshaft<br>Used on Type No(s).<br>0009, 0018, 0019,<br>0027, 0029, 0036,<br>0073, 0106, 0116,<br>0125, 0128, 0131,<br>0133, 0134, 0139,<br>0143, 0161, 0165,<br>0168, 0176, 0179,<br>0181, 0186, 0192,<br>0200, 0208, 0212,<br>0217, 0227, 0230,<br>0249, 0250, 0256,<br>0264, 0268, 0283,<br>0288, 0299, 0303,<br>0317, 0318, 0636,<br>0700, 0717, 0730,<br>0762, 0779, 0788,<br>1009, 1012, 1019,<br>1027, 1029, 1036,<br>1050, 1073, 1106,<br>1139, 1143, 1161,<br>1179, 1186, 1200,<br>1217, 1250, 1268,<br>1283, 1288, 1317,<br>1318.<br><b>495649</b> Crankshaft<br>Used on Type No(s).<br>0003, 0007, 0060,<br>0144, 0146, 0148,<br>0152, 0167, 0171,<br>0177, 0178, 0183,<br>0188, 0189, 0190,<br>0191, 0196, 0197,<br>0213, 0240, 0255,<br>0272, 0273, 0289,<br>0300, 0305, 0603,<br>0607, 0660, 0767,<br>0790, 0815, 1003,<br>1007, 1060, 1146, |          |          |  |  |  |  |
|          |          |   |          |          |  |          |          | 1167, 1171, 1190,<br>1197, 1289, 1330.<br><b>499764</b> Crankshaft<br>Used on Type No(s).<br>0079, 0140, 0223,<br>0263, 0294, 0298,<br>0302, 0307, 0308,<br>0679, 0702, 0913,<br>1008, 1079, 1140,<br>1223, 1263, 1308,<br>1313.<br><b>499765</b> Crankshaft<br>Used on Type No(s).<br>0014, 0253.<br><b>692142</b> Crankshaft<br>Used on Type No(s).<br>0740, 0814, 1261. |  |  |  |
|          |          |   |          |          |  | 17       | 692007   | Bearing-Ball   |  |  |  |
|          |          |   |          |          |  | 24       | 222698s  | Key-Flywheel   |  |  |  |
|          |          |   |          |          |  | 146      | 690979   | Key-Timing<br>(Used with Timing<br>Gear 691847)  |  |  |  |
|          |          |   |          |          |  |          |          | ----- Note -----<br><b>499047</b> Key-Timing<br>(Used with Timing<br>Gear 261696)  |  |  |  |
|          |          |   |          |          |  | 357      | 692191   | Key-Drive Pulley   |  |  |  |
|          |          |   |          |          |  | 357A     | 690339   | Key-Drive Pulley<br>(Woodruff)   |  |  |  |
|          |          |   |          |          |  | 741      | 691847   | Gear-Timing<br>(Uses Woodruff Key)   |  |  |  |
|          |          |   |          |          |  |          |          | ----- Note -----<br><b>261696</b> Gear-Timing<br>(Uses Locating Pin)   |  |  |  |

Engine Gasket Set-Reference 358  
Carburetor Overhaul Kit-Reference 121

Valve Gasket Set-Reference 1095

2810-6

Assemblies include all parts shown in frames.

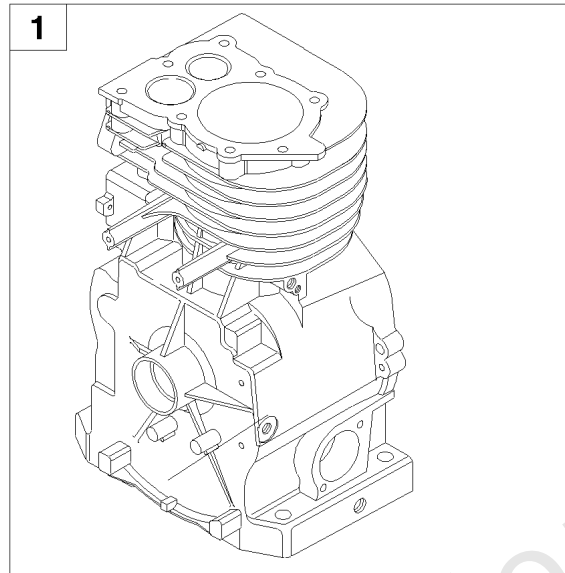
04/12/2012

## Crankshaft

| REF NO | PART NO | QTY | DESCRIPTION  |
|--------|---------|-----|--|
| 17     | 692007  |     | BEARING, Ball  |
| 24     | 222698S |     | KEY, Flywheel  |
| 146    | 499047  |     | PIN, Locating<br>-(Used With Timing Gear 261696)     |
| 146    | 690979  |     | KEY, Woodruff<br>-(Used With Timing Gear 691847)     |
| 357    | 692191  |     | KEY, Drive Pulley                                    |
| 357A   | 690339  |     | KEY, Drive Pulley<br>-(Woodruff)                     |
| 741    | 261696  |     | GEAR, Timing<br>-(Plain Bearing) (Uses Locating Pin) |
| 741    | 691847  |     | GEAR, Timing<br>-(Uses Woodruff Key)                 |

Not For In Reproduction

**135200 to 135299**



| REF. NO. | PART NO. | DESCRIPTION  | REF. NO. | PART NO.   | DESCRIPTION | REF. NO. | PART NO.   | DESCRIPTION |
|----------|----------|--|----------|--|-------------|----------|--|-------------|
| 1        | 497144   | Cylinder Assembly<br>----- <b>Note</b> -----<br>494955 Cylinder Assembly<br>Used on Type No(s).<br>0011, 0013, 0022,<br>0025, 0026, 0059,<br>0072, 0075, 0080,<br>0082, 0083, 0084,<br>0093, 0115, 0121, |          | 0126, 0138, 0157,<br>0162, 0163, 0164,<br>0166, 0168, 0181,<br>0205, 0215, 0225,<br>0226, 0236, 0241,<br>0244, 0247, 0248,<br>0251, 0252, 0256,<br>0259, 0264, 0277,<br>0291, 0292, 0297,<br>0299, 0312, 0314, |             |          | 0327, 0611, 0625,<br>0626, 0752, 0757,<br>0762, 0791, 1011,<br>1012, 1025, 1026,<br>1072, 1075, 1080,<br>1084, 1093, 1115,<br>1157, 1215, 1252,<br>1291, 1292, 1312,<br>1314, 1327, 1328,<br>1333, 1337, 1340. |             |

Engine Gasket Set-Reference 358  
Carburetor Overhaul Kit-Reference 121

Valve Gasket Set-Reference 1095

2810-2

**Assemblies include all parts shown in frames.**

04/12/2012

*Cylinder Group      Type Numbers*

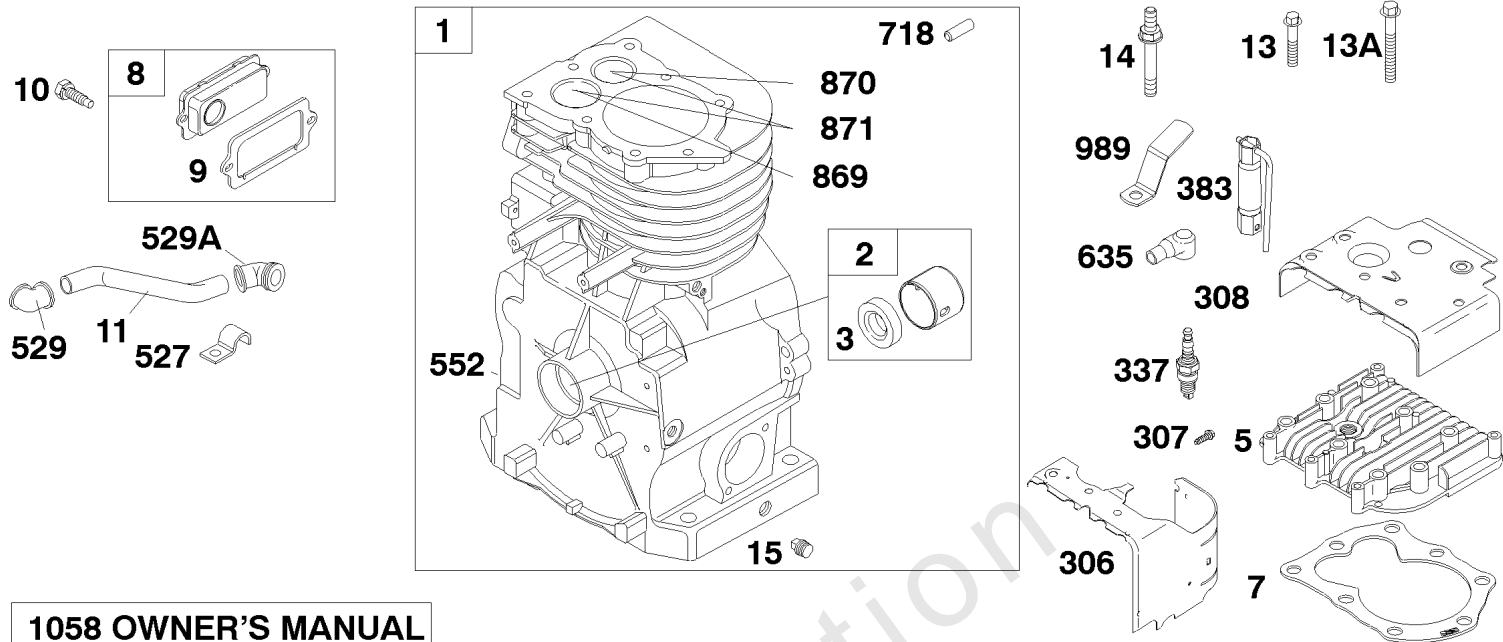
---

| REF NO | PART NO | QTY | DESCRIPTION       |
|--------|---------|-----|-------------------|
| 1      | 497144  |     | CYLINDER ASSEMBLY |

---

Not For In Reproduction

135200 to 135299



1058 OWNER'S MANUAL

| REF. NO. | PART NO. | DESCRIPTION   | REF. NO. | PART NO. | DESCRIPTION                          | REF. NO. | PART NO. | DESCRIPTION  |
|----------|----------|---|----------|----------|--------------------------------------|----------|----------|--|
| 1        |          | Cylinder Assembly<br><b>(See previous page)</b>   | 13       | 691640   | Screw<br>(Cylinder Head)             | 869      | 691705   | Seat-Valve<br>(Intake)   |
| 2        | 399269   | Kit-Bushing/Seal<br>(Magneto Side)<br>(Used After Code Date 94012300).<br>----- <b>Note</b> -----<br>297565 Kit-Bushing/Seal<br>(Magneto Side)<br>(Used Before Code Date 94012400). | 13A      | 691659   | Screw<br>(Cylinder Head)             | 870      | 691701   | Seat-Valve<br>(Exhaust)  |
| 3        | 299819s  | Seal-Oil<br>(Magneto Side)  | 14       | 691690   | Stud<br>(Cylinder Head)              | 871      | 262001   | Bushing-Valve Guide<br>(Exhaust)<br>----- <b>Note</b> -----<br>63709 Bushing-Valve Guide<br>(Intake) |
| 5        | 691716   | Head-Cylinder   | 15       | 691686   | Plug-Oil Drain<br>(Standard)         | 989      | 221828   | Stopswitch-Spark Plug<br>Used on Type No(s). 1011, 1012.   |
| 7        | 272157s  | Gasket-Cylinder Head  | 306      | 694514   | Shield-Cylinder<br>(Cylinder Shield) | 1058     | 274266   | Owner's Manual<br>(Emission)<br>----- <b>Note</b> -----<br>276646 Owner's Manual<br>(Non Emission)   |
| 8        | 699448   | Breather Assembly   | 307      | 691660   | Screw<br>(Full)                      |          |          |  |
| 9        | 27549    | Gasket-Breather   | 308      | 690473   | Cover-Cylinder Head                  |          |          |  |
| 10       | 691666   | Screw<br>(Breather Assembly)  | 337      | 802592s  | Plug-Spark                           |          |          |  |
| 11       | 231550   | Tube-Breather<br>----- <b>Note</b> -----<br>230722 Tube-Breather<br>Used on Type No(s). 0299.<br>690517 Tube-Breather<br>Used on Type No(s). 1011, 1012.                            | 383      | 89838    | Wrench-Spark Plug                    |          |          |  |
|          |          |   | 527      | 691741   | Clamp-Tube                           |          |          |  |
|          |          |   | 529      | 692189   | Grommet<br>(90 Degree)               |          |          |  |
|          |          |   | 529A     | 692187   | Grommet<br>(120 Degree)              |          |          |  |
|          |          |   | 552      | 690508   | Bushing-Governor Crank               |          |          |  |
|          |          |   | 635      | 66538    | Boot-Spark Plug                      |          |          |  |
|          |          |   | 718      | 690959   | Pin-Locating                         |          |          |  |

Engine Gasket Set-Reference 358  
Carburetor Overhaul Kit-Reference 121

Valve Gasket Set-Reference 1095

2810-3

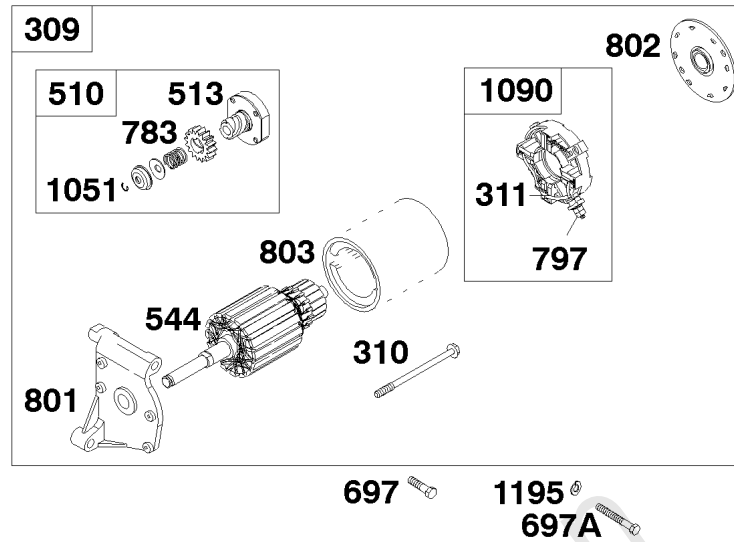
Assemblies include all parts shown in frames.

04/12/2012

## Cylinder Group-Parts

| REF NO | PART NO | QTY | DESCRIPTION   |
|--------|---------|-----|---|
| 1      | 497144  |     | CYLINDER ASSEMBLY   |
| 2      | 796961  |     | KIT, Bushing/Seal<br>-(Magneto Side)<br>-Used After Code Date 94012300  |
| 2      | 297565  |     | KIT, Bushing/Seal<br>-(Magneto Side)<br>-Used Before Code Date 94012400 |
| 3      | 299819S |     | SEAL, Oil<br>-(Magneto Side)  |
| 5      | 691716  |     | HEAD, Cylinder  |
| 7      | 272157S |     | GASKET, Cylinder Head   |
| 8      | 791779  |     | BREATHER ASSEMBLY   |
| 9      | 27549S  |     | GASKET, Breather  |
| 10     | 691666  |     | SCREW<br>-(Breather Assembly)   |
| 11     | 231550  |     | TUBE, Breather  |
| 13     | 691640  |     | SCREW<br>-(Cylinder Head)   |
| 13A    | 691659  |     | SCREW<br>-(Cylinder Head)   |
| 14     | 691690  |     | STUD<br>-(Cylinder Head)  |
| 15     | 691686  |     | PLUG, Oil Drain<br>-(Standard)  |
| 306    | 694514  |     | SHIELD, Cylinder  |
| 307    | 691660  |     | SCREW<br>-(Cylinder Shield)   |
| 308    | 690473  |     | COVER, Cylinder Head  |
| 337    | 796112S |     | PLUG, Spark   |
| 383    | 89838S  |     | WRENCH, Spark Plug  |
| 527    | 691741  |     | CLAMP, Hose   |
| 529    | 692189  |     | GROMMET<br>-(90 Degree)   |
| 529A   | 692187  |     | GROMMET<br>-(120 degree)  |
| 552    | 690508  |     | BUSHING, Governor Crank   |
| 635    | 66538S  |     | BOOT, Spark Plug  |
| 718    | 690959  |     | PIN, Locating   |
| 1058   | 272646  |     | MANUAL, Operator's<br>-(Non Emission)                                   |
| 1058   | 274266  |     | MANUAL, Operator's<br>-(Emission)                                       |

**135200 to 135299**



| REF. NO. | PART NO. | DESCRIPTION             | REF. NO. | PART NO. | DESCRIPTION                                   | REF. NO. | PART NO. | DESCRIPTION                                     |
|----------|----------|-------------------------|----------|----------|---|----------|----------|---|
| 309      | 690658   | Motor-Starter           | 697      | 693972   | Screw<br>(Drive Cap)                          | 801      | 690835   | Cap-Drive                                       |
| 310      | 690323   | Bolt<br>(Starter Motor) | 697A     | 690298   | Screw<br>(Drive Cap)<br>(Starter Drive Cover) | 802      | 691286   | Cap-End   |
| 311      | 497608   | Set-Brush               | 783      | 692353   | Gear-Pinion                                   | 803      |          | Housing-Starter<br><b>(No Longer Available)</b> |
| 510      | 499308   | Drive-Starter           | 797      | 691029   | Nut<br>(Brush Retainer)                       | 1051     | 691265   | Ring-Retaining                                  |
| 513      | 692024   | Clutch-Drive            |          |          |   | 1090     | 691293   | Retainer-Brush                                  |
| 544      | 692966   | Armature-Starter        |          |          |   | 1195     | 691075   | Washer<br>(Drive Cap)                           |

Engine Gasket Set-Reference 358  
Carburetor Overhaul Kit-Reference 121

Valve Gasket Set-Reference 1095

2810-25

**Assemblies include all parts shown in frames.**

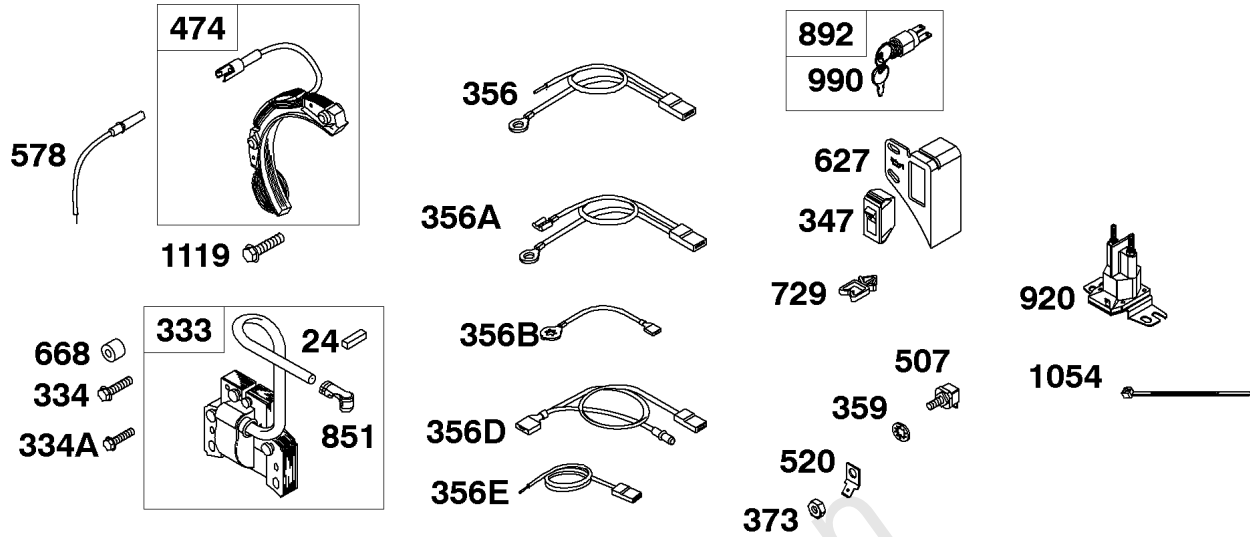
04/12/2012



## Electric Starter

| REF NO | PART NO | QTY | DESCRIPTION                               |
|--------|---------|-----|---|
| 309    | 690658  |     | MOTOR, Starter                            |
| 310    | 690323  |     | BOLT<br>-(Starter Motor)                  |
| 311    | 497608  |     | SET, Brush                                |
| 510    | 499308  |     | DRIVE, Starter                            |
| 513    | 692024  |     | CLUTCH, Drive                             |
| 544    | 692966  |     | ARMATURE, Starter                         |
| 697    | 693972  |     | SCREW<br>-(Starter Motor) (Drive Cap)     |
| 697A   | 690298  |     | SCREW<br>-(Starter Motor) (Drive Cap)     |
| 783    | 692353  |     | GEAR, Pinion                              |
| 797    | 691029  |     | NUT<br>-(Brush Retainer)                  |
| 801    | 690835  |     | CAP, Drive                                |
| 802    | 691286  |     | CAP, End                                  |
| 803    | -----   |     | Housing-Starter<br>-(NO LONGER AVAILABLE) |
| 1051   | 691265  |     | RING, Retaining                           |
| 1090   | 691293  |     | RETAINER, Brush                           |
| 1195   | 691075  |     | WASHER<br>-(Drive Cap)                    |

**135200 to 135299**



| REF. NO. | PART NO. | DESCRIPTION                 | REF. NO. | PART NO. | DESCRIPTION                      | REF. NO. | PART NO. | DESCRIPTION                   |
|----------|----------|-----------------------------|----------|----------|----------------------------------|----------|----------|-------------------------------|
| 24       | 691732   | Key-Flywheel                | 356E     | 692390   | Wire-Stop                        | 668      | 690531   | Spacer                        |
| 333      | 397358   | Armature-Magneto            | 359      | 691077   | Washer<br>(Ground Terminal)      | 729      | 690588   | Clip-Wire<br>(Snap In, Nylon) |
| 334      | 690306   | Screw<br>(Magneto Armature) | 373      | 691612   | Nut<br>(Ground Terminal)         | 851      | 493880s  | Terminal-Spark Plug           |
| 334A     | 691621   | Screw<br>(Magneto Armature) | 474      | 494254   | Alternator<br>(Magneto Armature) | 892      | 690646   | Switch-Key                    |
| 347      | 691995   | Switch-Rocker               | 507      | 691972   | Insulator                        | 920      | 691656   | Solenoid-Starter              |
| 356      | 398808   | Wire-Stop                   | 520      | 691084   | Terminal-Ground                  | 990      | 691959   | Key Set                       |
| 356A     | 690650   | Wire-Stop                   | 578      | 692306   | Wire Assembly                    | 1054     | 280275   | Tie-Cable                     |
| 356B     | 690817   | Wire-Stop                   | 627      | 690474   | Bracket-Stopswitch               | 1119     | 691183   | Screw<br>(Alternator)         |
| 356D     | 690818   | Wire-Stop                   |          |          |                                  |          |          |                               |

Engine Gasket Set-Reference 358  
Carburetor Overhaul Kit-Reference 121

Valve Gasket Set-Reference 1095

2810-15

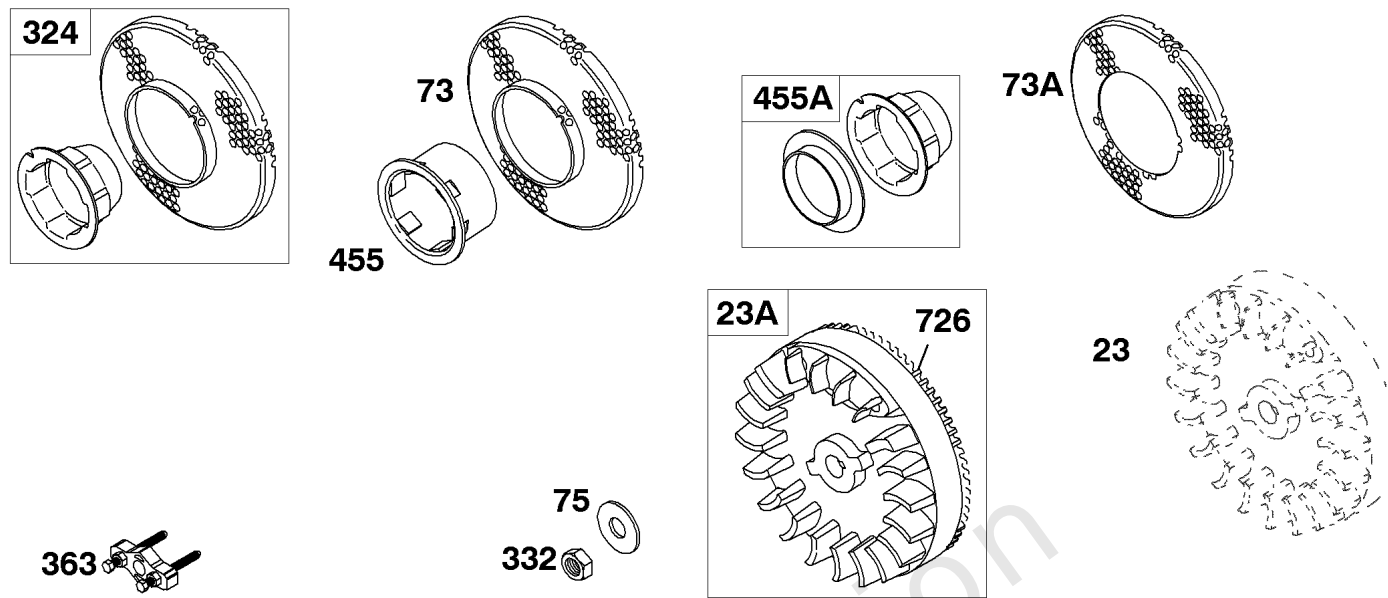
Assemblies include all parts shown in frames.

04/12/2012

## Electrical

| REF NO | PART NO | QTY | DESCRIPTION                             |
|--------|---------|-----|---|
| 24     | 222698S |     | KEY, Flywheel                           |
| 333    | 397358  |     | ARMATURE, Magneto                       |
| 334    | 690306  |     | SCREW<br>-(Magneto Armature)            |
| 334A   | 691621  |     | SCREW<br>-(Magneto Armature)            |
| 347    | 691995  |     | SWITCH, Rocker                          |
| 356    | 398808  |     | WIRE, Stop<br>-(Cut To Required Length) |
| 356A   | 690650  |     | WIRE, Stop                              |
| 356B   | 690817  |     | WIRE, Stop                              |
| 356E   | 692390  |     | WIRE, Stop                              |
| 359    | 691077  |     | WASHER<br>-(Ground Terminal)            |
| 373    | 691612  |     | NUT<br>-(Ground Terminal)               |
| 474    | 494254  |     | ALTERNATOR                              |
| 507    | 691972  |     | INSULATOR                               |
| 520    | 691084  |     | TERMINAL, Ground                        |
| 578    | 692306  |     | WIRE ASSEMBLY                           |
| 627    | 690474  |     | BRACKET, Stopswitch                     |
| 668    | 690531  |     | SPACER                                  |
| 729    | 690588  |     | CLIP, Wire<br>-(Snap In)(Nylon)         |
| 851    | 493880S |     | TERMINAL, Spark Plug                    |
| 892    | 690646  |     | SWITCH, Key                             |
| 920    | 691656  |     | SOLENOID, Starter                       |
| 990    | 691959  |     | SET, Key                                |
| 1054   | 280275  |     | TIE, Cable                              |
| 1119   | 691183  |     | SCREW<br>-(Alternator)                  |

**135200 to 135299**



| REF. NO. | PART NO. | DESCRIPTION   | REF. NO. | PART NO. | DESCRIPTION   | REF. NO. | PART NO. | DESCRIPTION  |
|----------|----------|---|----------|----------|---|----------|----------|--|
| 23       |          | Flywheel<br><b>(No Longer Available)</b><br>(Rewind Start)  | 75       | 690582   | Washer<br>(Flywheel)                                    | 455      | 224250   | Cup-Flywheel<br>(Straight Side Cup)<br>(Used Before Code Date 95020300). |
| 23A      | 690820   | Flywheel<br>(With Ring Gear)  | 324      | 695161   | Screen/Cup Assembly<br>(Used After Code Date 95010800). | 455A     | 494770   | Cup-Flywheel<br>(Straight Side Cup<br>With Rotating Screen<br>Ring)      |
| 73       | 224883   | Screen-Rotating<br>(Used Before Code Date 95020300).  | 332      | 690662   | Nut<br>(Flywheel)                                       | 726      | 495765   | Gear-Ring<br>(Includes Mounting<br>Hardware)                             |
| 73A      | 695161   | Screen-Rotating<br>(Used After Code Date 95010800).   | 363      | 19069    | Flywheel Puller   |          |          |  |
|          |          | ----- <b>Note</b> -----<br><b>224974</b> Screen-Rotating<br><b>(No Longer Available)</b><br>(Used Before Code Date 95010900). |          |          |   |          |          |  |

Engine Gasket Set-Reference 358  
Carburetor Overhaul Kit-Reference 121

Valve Gasket Set-Reference 1095

2810-21

**Assemblies include all parts shown in frames.**

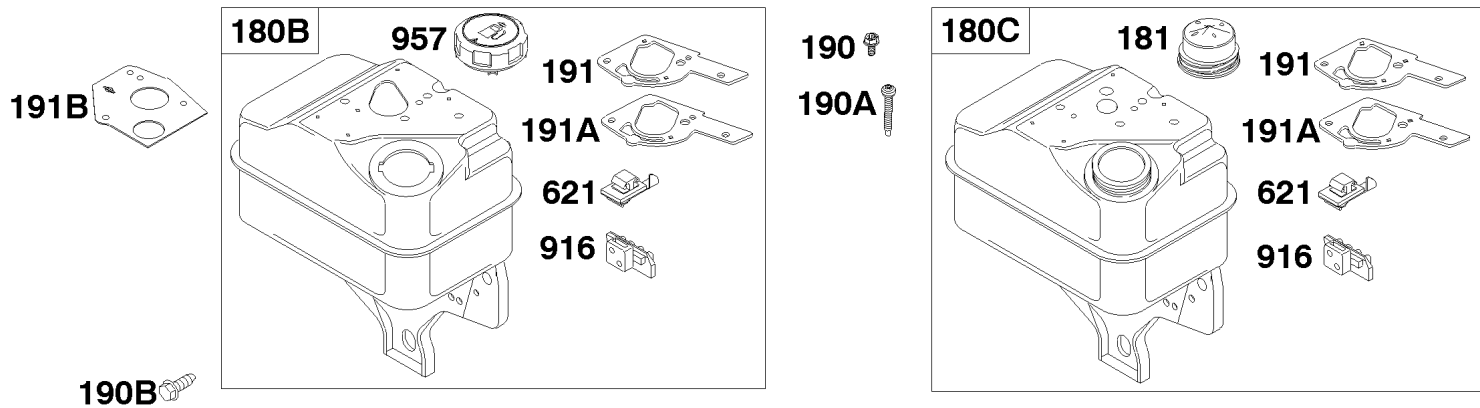
04/12/2012

## ***Flywheels, Rotating Screens***

| <b>REF NO</b> | <b>PART NO</b> | <b>QTY</b> | <b>DESCRIPTION</b>   |
|---------------|----------------|------------|--|
| 23A           | 690820         |            | FLYWHEEL   |
| 73            | 224883         |            | SCREEN, Rotating<br>-Used Before Code Date 95020300                      |
| 73A           | 695161         |            | SCREEN/CUP ASSEMBLY  |
| 73A           | 224974         |            | SCREEN, Rotating   |
| 324           | 695161         |            | SCREEN/CUP ASSEMBLY<br>-(Tapered Side Cup And Rotating Screen Ring)      |
| 324           | 695161         |            | SCREEN/CUP ASSEMBLY<br>-Used After Code Date 95010800                    |
| 332           | 690662         |            | NUT<br>-(Flywheel)   |
| 363           | 19069          |            | PULLER, Flywheel   |
| 455           | 224250         |            | CUP, Flywheel<br>-(Straight Side Cup)<br>-Used Before Code Date 95020300 |
| 455A          | 494770         |            | CUP, Flywheel<br>-(Straight Side Cup)                                    |
| 726           | 495765         |            | GEAR, Ring<br>-(Includes Mounting Hardware)                              |

Not For In-Kepproduction

**135200 to 135299**



★ **NOTE: ALL FUN-KART APPLICATIONS USING MODEL SERIES 135200 ENGINES MUST USE 694315 FUEL TANK.**

| REF. NO. | PART NO. | DESCRIPTION   | REF. NO. | PART NO. | DESCRIPTION  | REF. NO. | PART NO. | DESCRIPTION  |
|----------|----------|---|----------|----------|--|----------|----------|--|
| 180B     | 694315   | Tank-Fuel<br>----- Note -----<br>495370 Tank-Fuel<br>Used on Type No(s).<br>0214.   | 190      | 692200   | Screw<br>(Fuel Tank)   | 916      | 691900   | Rack-Governor Gear<br>(Black)<br>----- Note -----<br>690583 Rack-Governor Gear<br>(Natural)<br>Used on Type No(s).<br>0016, 0019, 0071,<br>0147, 0148, 0185,<br>0195, 0200, 0213,<br>0214, 0216, 0232,<br>0260, 0263, 0306,<br>0310, 1016, 1071,<br>1147, 1200, 1232,<br>1260, 1263, 1310. |
| 180C     | 494600   | Tank-Fuel<br>Used on Type No(s).<br>0299, 1011, 1012.   | 190A     | 691687   | Screw<br>(Fuel Tank)   | 957      | 494559   | Cap-Fuel Tank  |
| 181      | 394818s  | Cap-Fuel Tank<br>(Metal)<br>(Threaded, Vented)<br>----- Note -----<br>498156 Cap-Fuel<br>Tank<br>(Metal)<br>(Threaded, Non<br>Vented)<br>Used on Type No(s).<br>0293. | 190B     | 691685   | Screw<br>(Fuel Tank)   |          |          |  |
|          |          |   | 191      | 692241   | Gasket-Fuel Tank   |          |          |  |
|          |          |   | 191A     | 272996   | Gasket-Fuel Tank   |          |          |  |
|          |          |   | 191B     | 272409s  | Gasket-Fuel Tank<br>Used on Type No(s).<br>0299, 1011, 1012. |          |          |  |
|          |          |   | 621      | 692310   | Switch-Stop  |          |          |  |

Engine Gasket Set-Reference 358  
Carburetor Overhaul Kit-Reference 121

Valve Gasket Set-Reference 1095

2810-17

Assemblies include all parts shown in frames.

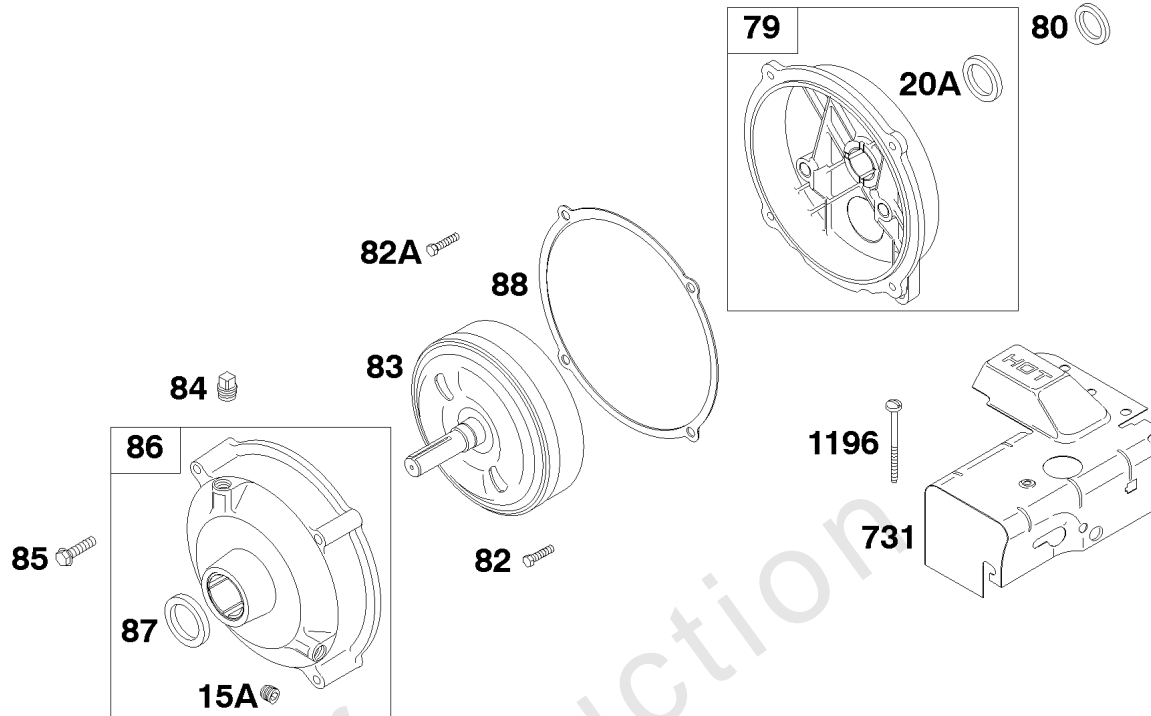
04/12/2012

## Fuel Tank Group

| REF NO | PART NO | QTY | DESCRIPTION                     |
|--------|---------|-----|---------------------------------|
| 180B   | 694315  |     | TANK, Fuel<br>-(Metal)          |
| 181    | 394818S |     | CAP, Fuel Tank<br>-(Metal)      |
| 190    | 692200  |     | SCREW<br>-(Fuel Tank)           |
| 190A   | 691687  |     | SCREW<br>-(Fuel Tank)           |
| 190B   | 691685  |     | SCREW<br>-(Fuel Tank)           |
| 191    | 692241  |     | GASKET, Fuel Tank               |
| 191A   | 272996  |     | GASKET, Fuel Tank               |
| 621    | 692310  |     | SWITCH, Stop                    |
| 916    | 691900  |     | RACK, Governor Gear<br>-(Black) |

Not For InReproduction

**135200 to 135299**



| REF. NO. | PART NO. | DESCRIPTION                                       | REF. NO. | PART NO. | DESCRIPTION                          | REF. NO. | PART NO. | DESCRIPTION                 |
|----------|----------|---|----------|----------|--------------------------------------|----------|----------|-----------------------------|
| 15A      | 691682   | Plug-Oil Drain Plug (Flush)                       | 82       | 690369   | Screw (Gear Reduction Case)          | 86       | 690608   | Cover-Gear                  |
| 20A      | 299819   | Seal-Oil (PTO Side) ( 53/64" I.D. Without Spring) | 82A      | 699164   | Screw (Gear Reduction Case)          | 87       | 691582   | Seal-Gear Reduction         |
| 79       | 690605   | Case-Gear Reduction                               | 83       | 690374   | Shaft-Auxiliary Drive                | 88       | 691600   | Gasket-Gear Reduction Cover |
| 80       | 691602   | Gasket-Gear Case                                  | 84       | 691121   | Plug-Breather                        | 731      | 399183   | Hood-Snow                   |
|          |          |   | 85       | 691117   | Screw (Gear Cover to Gear Reduction) | 1196     | 93977    | Screw (Snow Hood)           |

Engine Gasket Set-Reference 358  
Carburetor Overhaul Kit-Reference 121

Valve Gasket Set-Reference 1095

2810-26

Assemblies include all parts shown in frames.

04/12/2012

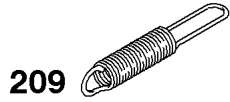


## ***Gear Reduction Group/Sno-Gard***

| <b>REF NO</b> | <b>PART NO</b> | <b>QTY</b> | <b>DESCRIPTION</b>              |
|---------------|----------------|------------|---------------------------------|
| 15A           | 691682         |            | PLUG, Oil Drain<br>-(Flush)     |
| 79            | 690605         |            | CASE, Gear Reduction            |
| 80            | 691602         |            | GASKET, Gear Case               |
| 82            | 690369         |            | SCREW<br>-(Gear Reduction Case) |
| 82A           | 699164         |            | SCREW<br>-(Gear Reduction Case) |
| 83            | 690374         |            | SHAFT, Auxiliary Drive          |
| 84            | 691121         |            | PLUG, Breather                  |
| 85            | 691117         |            | SCREW<br>-(Gear Cover)          |
| 86            | 690608         |            | COVER, Gear                     |
| 87            | 691582         |            | SEAL, Gear Reduction            |
| 88            | 691600         |            | GASKET, Gear Cover/Housing      |
| 731           | 492291         |            | HOOD, Snow                      |
| 1196          | 93977          |            | SCREW<br>-(Snow Hood)           |

Not For In-Production

**135200 to 135299**



| REF. NO. | PART NO. | DESCRIPTION   | REF. NO. | PART NO. | DESCRIPTION   | REF. NO. | PART NO. | DESCRIPTION   |  |
|----------|----------|---|----------|----------|---|----------|----------|---|--|
| 209      | 690376   | Spring-Governor (Rich Red)<br>----- Note -----<br>691816 Spring-Governor (Black)<br>Used on Type No(s).<br>0004, 0016, 0020, 0027, 0029, 0119, 0124, 0127, 0141, 0142, 0143, 0176, 0177, 0185, 0189, 0195, 0203, 0209, 0217, 0232, 0240, 0242, 0254, 0260, 0262, 0263, 0265, 0268, 0276, 0281, 0309, 0315, 0324, 1003, 1035, 1080, 1084, 1155, 1171, 1246, 1283, 1326, 1328, 1333.<br>690549 Spring-Governor (Blue)<br>Used on Type No(s).<br>0018, 0215, 0225, 0248, 0603, 0607, 0611, 0615, 0623, 0625, 0635, 0636, 0649, 0660, 0670, 0671, 0679, 0700, 0702, 0704, 0717, 0730, 0740, 0747, 0759, 0762, 0767, 0779, 0780, 0784, 0788, 0790, 0814, 0815, 0913, 1005, 1007, 1008, 1009, 1011, 1019, 1023, 1025, 1036, 1049, 1050, 1060, 1070, 1071, 1073, 1079, 1105, 1106, 1139, 1140, 1143, 1146, 1147, 1153, 1154, 1157, 1158, 1159, 1161, 1167, 1169, 1173, 1179, 1180, 1186, 1190, 1194, 1196, 1197, 1200, |          |          | 1216, 1219, 1223, 1231, 1238, 1245, 1250, 1258, 1259, 1271, 1284, 1288, 1289, 1296, 1299, 1301, 1304, 1308, 1310, 1313, 1314, 1317, 1318, 1320, 1329, 1330.<br>691817 Spring-Governor (Green)<br>Used on Type No(s).<br>0026, 0038, 0082, 0115, 0129, 0151, 0160, 0162, 0164, 0166, 0199, 0211, 0241, 0244, 0252, 0311, 0327, 0626, 0638, 0729, 0752, 0791, 1026, 1038, 1115, 1129, 1160, 1252, 1291, 1327, 1340. |          |          |   | 690550 Spring-Governor (Yellow)<br>Used on Type No(s).<br>0059, 0072, 0075, 0083, 0093, 0126, 0163, 0228, 0251, 0292, 0297, 0312, 1072, 1093, 1292, 1312, 1342.<br>691845 Spring-Governor (Silver)<br>Used on Type No(s).<br>0616, 0620, 0706, 0727, 0728, 1004, 1016, 1020, 1027, 1029, 1119, 1127, 1128, 1142, 1217, 1232, 1242, 1260, 1261, 1263, 1265, 1268, 1276, 1281, 1309, 1315, 1324, 1343, 1345.<br>692896 Spring-Governor (Bright Orange)<br>Used on Type No(s).<br>1215. |
|          |          |   |          |          |   | 209C     | 692208   | Spring-Governor (Green)<br>Used on Type No(s).<br>0299, 1011, 1012. |  |
|          |          |   |          |          |   | 211      | 691850   | Spring-Governed Idle  |  |

Engine Gasket Set-Reference 358  
Carburetor Overhaul Kit-Reference 121

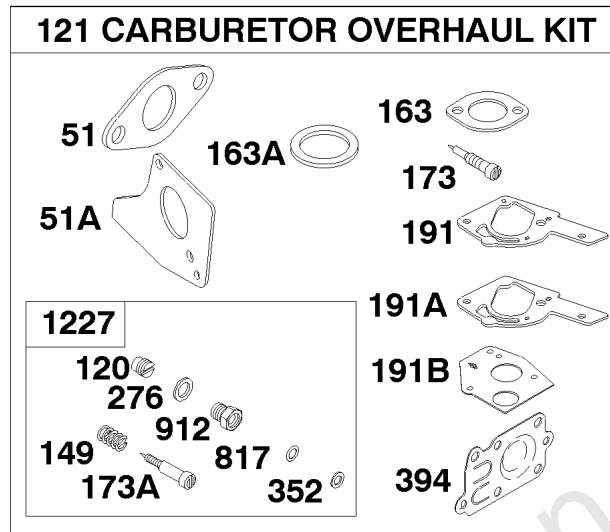
Valve Gasket Set-Reference 1095

## Governor Springs

| REF NO | PART NO | QTY | DESCRIPTION                 |
|--------|---------|-----|-----------------------------|
| 209    | 690549  |     | SPRING, Governor<br>-(Blue) |
| 211    | 691850  |     | SPRING, Governed Idle       |

Not For In Reproduction

**135200 to 135299**



| REF. NO. | PART NO. | DESCRIPTION  | REF. NO. | PART NO. | DESCRIPTION  | REF. NO. | PART NO. | DESCRIPTION                       |
|----------|----------|--|----------|----------|--|----------|----------|-----------------------------------|
| 51       | 27355    | Gasket-Intake<br>Used on Type No(s).<br>0299, 1101, 1012,<br>1309. | 173      | 691777   | Valve-Idle Mixture<br>(Idle)                                 | 394      | 272538   | Diaphragm-Carburetor<br>(Pump)    |
| 51A      | 273113   | Gasket-Intake  | 173A     | 690266   | Valve-Idle Mixture<br>(Main)                                 | 817      | 691606   | Seal-O Ring<br>(High Speed Valve) |
| 120      | 692134   | Seat-Needle Valve  | 191      | 692241   | Gasket-Fuel Tank   | 912      | 690504   | Nut-Needle Valve                  |
| 121      | 495606   | Kit-Carburetor<br>Overhaul   | 191A     | 272996   | Gasket-Fuel Tank   | 1227     | 299060   | Valve-High Speed                  |
| 149      | 691592   | Spring-Needle Valve  | 191B     | 272409   | Gasket-Fuel Tank<br>Used on Type No(s).<br>0299, 1011, 1012. |          |          |                                   |
| 163      | 271935   | Gasket-Air Cleaner<br>(Standard, Oval)                             | 276      | 691608   | Washer-Sealing   |          |          |                                   |
| 163A     | 271139   | Gasket-Air Cleaner<br>(1 5/8" O.D. Round)                          | 352      | 690257   | Washer<br>(High Speed Valve)                                 |          |          |                                   |

Engine Gasket Set-Reference 358  
Carburetor Overhaul Kit-Reference 121

Valve Gasket Set-Reference 1095

2810-29

Assemblies include all parts shown in frames.

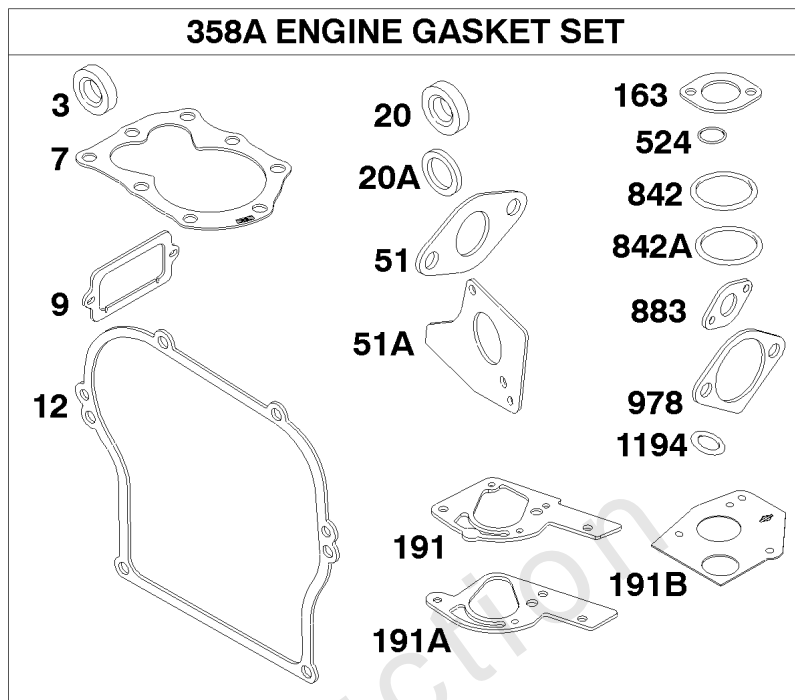
04/12/2012

## Kits/Gasket Sets - Carburetor

| REF NO | PART NO | QTY | DESCRIPTION                                      |
|--------|---------|-----|--|
| 51     | 273113S |     | GASKET, Intake                                   |
| 120    | 692134  |     | SEAT, Needle Valve                               |
| 121    | 495606  |     | KIT, Carburetor Overhaul                         |
| 149    | 691592  |     | SPRING, Needle Valve                             |
| 163    | 271935S |     | GASKET, Air Cleaner<br>-(Standard)(Oval)         |
| 163A   | 271139S |     | GASKET, Air Cleaner<br>-(1 5/8 Outside Diameter) |
| 173    | 691777  |     | VALVE, Idle Mixture                              |
| 173A   | 690266  |     | VALVE, Idle Mixture<br>-(Main)                   |
| 191    | 692241  |     | GASKET, Fuel Tank                                |
| 191A   | 272996  |     | GASKET, Fuel Tank                                |
| 276    | 691608  |     | WASHER, Sealing                                  |
| 352    | 690257  |     | WASHER<br>-(High Speed Valve)                    |
| 394    | 272538S |     | DIAPHRAGM, Carburetor                            |
| 817    | 691606  |     | SEAL, O-Ring<br>-(High Speed Valve)              |
| 912    | 690504  |     | NUT, Needle Valve                                |
| 1227   | 299060  |     | VALVE, High Speed<br>-(Threaded)                 |

135200 to 135299

1330 REPAIR MANUAL



| REF. NO. | PART NO. | DESCRIPTION                           | REF. NO. | PART NO. | DESCRIPTION   | REF. NO. | PART NO. | DESCRIPTION   |
|----------|----------|---------------------------------------|----------|----------|---|----------|----------|---|
| 3        | 299819   | Seal-Oil (Magneto Side)               | 51       | 27355    | Gasket-Intake Used on Type No(s). 0299, 1101, 1012, 1309. | 842      | 691031   | Seal-O Ring (Dipstick Tube) (Used After Code Date 99031400).  |
| 7        | 272157   | Gasket-Cylinder Head                  | 51A      | 273113   | Gasket-Intake   | 842A     | 691870   | Seal-O Ring (Dipstick Tube) (Used Before Code Date 99031500). |
| 9        | 27549    | Gasket-Breather                       | 163      | 271935   | Gasket-Air Cleaner (Standard, Oval)                       | 883      | 692237   | Gasket-Exhaust  |
| 12       | 692213   | Gasket-Crankcase (Standard)           | 191      | 692241   | Gasket-Fuel Tank  | 978      | 273326   | Gasket-OIL GARD®  |
|          |          | ----- Note -----                      | 191A     | 272996   | Gasket-Fuel Tank  | 1194     | 691876   | Seal-O Ring (Plug)  |
|          |          | 270125 Gasket-Crankcase (.005" Thick) | 191B     | 272409   | Gasket-Fuel Tank Used on Type No(s). 0299, 1011, 1012.    | 1330     | 270962   | Repair Manual   |
|          |          | 270126 Gasket-Crankcase (.009" Thick) | 358A     | 495603   | Gasket Set-Engine   |          |          |   |
| 20       | 495307   | Seal-Oil (PTO Side)                   | 524      | 691876   | Seal-Dipstick Tube  |          |          |   |
| 20A      | 299819   | Seal-Oil (PTO Side)                   |          |          |   |          |          |   |

Engine Gasket Set-Reference 358  
Carburetor Overhaul Kit-Reference 121

Valve Gasket Set-Reference 1095

2810-28

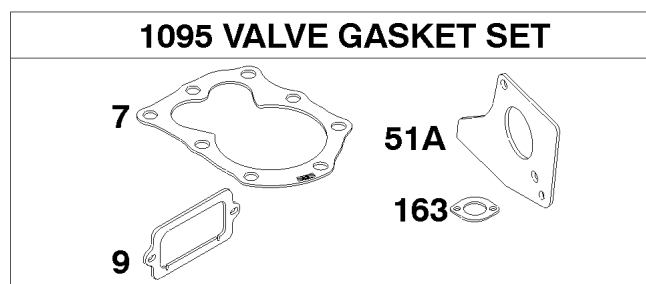
Assemblies include all parts shown in frames.

04/12/2012

## Kits/Gasket Sets - Engine

| REF NO | PART NO | QTY | DESCRIPTION  |
|--------|---------|-----|--|
| 3      | 299819S |     | SEAL, Oil<br>-(Magneto Side)   |
| 7      | 272157S |     | GASKET, Cylinder Head  |
| 9      | 27549S  |     | GASKET, Breather   |
| 12     | 270125  |     | GASKET, Crankcase<br>-(.005)   |
| 12     | 270126  |     | GASKET, Crankcase<br>-(.009)   |
| 12     | 692213  |     | GASKET, Crankcase<br>-(Standard)   |
| 20     | 294606S |     | SEAL, Oil<br>-(PTO Side) (PTO Side)(1-3/8 Outside Diameter With Spring)  |
| 20     | 691952  |     | SEAL, Oil<br>-(PTO Side) (Auxiliary PTO)(1 Outside Diameter With Spring) |
| 51     | 273113S |     | GASKET, Intake   |
| 163    | 271935S |     | GASKET, Air Cleaner<br>-(Standard)(Oval)                                 |
| 191    | 692241  |     | GASKET, Fuel Tank  |
| 191A   | 272996  |     | GASKET, Fuel Tank  |
| 358A   | 495603  |     | GASKET SET, Engine   |
| 524    | 691876  |     | SEAL, O-Ring   |
| 842    | 691031  |     | SEAL, O-Ring<br>-(Dipstick Tube)<br>-Used After Code Date 99031400       |
| 842A   | 691870  |     | SEAL, O-Ring<br>-(Dipstick Tube)<br>-Used Before Code Date 99031500      |
| 883    | 692237  |     | GASKET, Exhaust  |
| 978    | 273326S |     | GASKET, Oil Guard  |
| 1194   | 691876  |     | SEAL, O-Ring<br>-(Plug)  |

**135200 to 135299**



| REF. NO. | PART NO. | DESCRIPTION          | REF. NO. | PART NO. | DESCRIPTION                            | REF. NO. | PART NO. | DESCRIPTION      |
|----------|----------|----------------------|----------|----------|--|----------|----------|------------------|
| 7        | 272157   | Gasket-Cylinder Head | 51A      | 273113   | Gasket-Intake                          | 1095     | 498529   | Gasket Set-Valve |
| 9        | 27549    | Gasket-Breather      | 163      | 271935   | Gasket-Air Cleaner<br>(Standard, Oval) |          |          |                  |

Engine Gasket Set-Reference 358  
Carburetor Overhaul Kit-Reference 121

Valve Gasket Set-Reference 1095

2810-30

**Assemblies include all parts shown in frames.**

04/12/2012

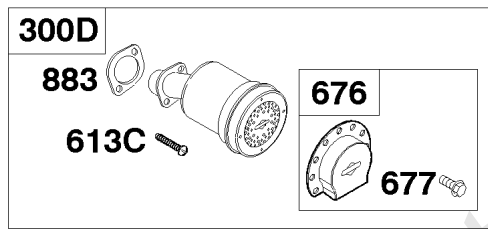
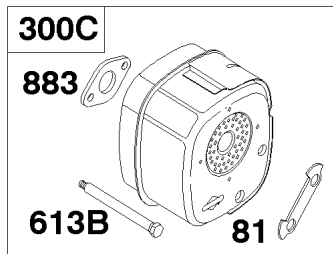
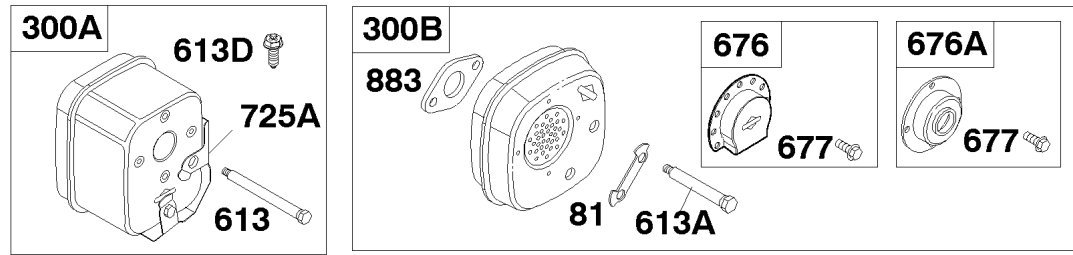


## Kits/Gasket Sets - Valve

| REF NO | PART NO | QTY | DESCRIPTION                              |
|--------|---------|-----|--|
| 7      | 272157S |     | GASKET, Cylinder Head                    |
| 9      | 27549S  |     | GASKET, Breather                         |
| 163    | 271935S |     | GASKET, Air Cleaner<br>-(Standard)(Oval) |
| 1095   | 498529  |     | GASKET SET, Valve                        |

Not For In Reproduction

135200 to 135299



| REF. NO. | PART NO. | DESCRIPTION   | REF. NO. | PART NO. | DESCRIPTION     | REF. NO. | PART NO. | DESCRIPTION                         |
|----------|----------|---|----------|----------|-----------------|----------|----------|-------------------------------------|
| 81       | 691729   | Lock-Muffler Screw  | 303      | 94089    | Elbow-Exhaust   | 676      | 393757   | Deflector-Muffler (Side Out) (Deep) |
| 298      | 690453   | Locknut-Muffler/Elbow   | 613      | 691351   | Screw (Muffler) |          |          | ----- Note -----                    |
| 300A     | 691969   | Muffler (Super Lo Tone)   | 613A     | 691413   | Screw (Muffler) | 676A     | 395700   | Deflector-Muffler (Direct Out)      |
| 300B     | 494585   | Muffler   | 613B     | 691632   | Screw (Muffler) | 677      | 690661   | Screw (Muffler Deflector)           |
|          |          | ----- Note -----<br>(Heat Shield Supplied By Equipment Manufacturer)<br>Used on Type No(s). 0185.   | 613C     | 691665   | Screw (Muffler) | 725A     | 690466   | Shield-Heat (Muffler)               |
| 300C     | 390918   | Muffler (Lo Tone)   | 613D     | 690810   | Screw (Muffler) | 883      | 692237   | Gasket-Exhaust                      |
|          |          | ----- Note -----<br>692304 Muffler (Lo Tone)<br>Used on Type No(s). 0072, 0075, 0142, 0143, 0193, 0195, 0198, 0208, 0244, 0315, 0316, 1072, 1075, 1127, 1142, 1143, 1315. | 613E     | 692557   | Screw (Muffler) | 981      | 690408   | Brace-Muffler                       |
| 300D     | 496892   | Muffler (Round Lo Tone)<br>Used on Type No(s). 0138, 0165, 0227, 0274.  |          |          |                 |          |          |                                     |

Engine Gasket Set-Reference 358  
Carburetor Overhaul Kit-Reference 121

Valve Gasket Set-Reference 1095

2810-19

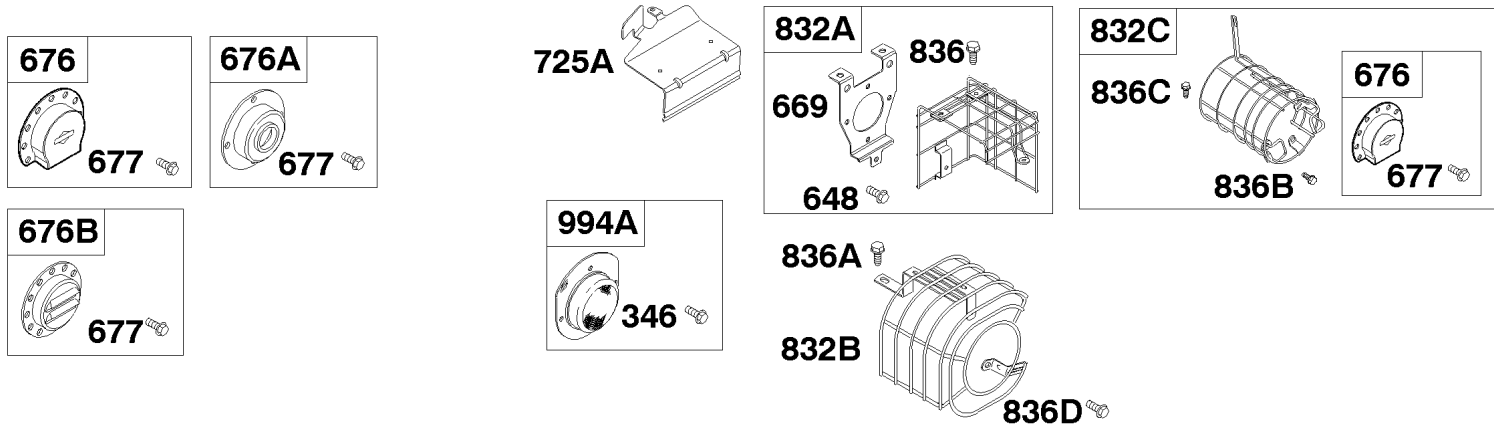
Assemblies include all parts shown in frames.

04/12/2012

## Muffler Groups

| REF NO | PART NO | QTY | DESCRIPTION   |
|--------|---------|-----|---|
| 81     | 691729  |     | LOCK, Muffler Screw                                 |
| 298    | 690453  |     | LOCKNUT<br>-(Muffler and Elbow)                     |
| 300A   | 691969  |     | MUFFLER<br>-(Super Lo Tone)                         |
| 300B   | 494585  |     | MUFFLER   |
| 300C   | 390918S |     | MUFFLER<br>-(Lo Tone)                               |
| 300D   | 496892  |     | MUFFLER<br>-(Round Lo Tone)                         |
| 303    | 94089   |     | ELBOW, Exhaust<br>-(45 Degree Street)               |
| 613    | 691351  |     | SCREW<br>-(Muffler)                                 |
| 613B   | 691632  |     | SCREW<br>-(Muffler)                                 |
| 613C   | 691665  |     | SCREW<br>-(Muffler)                                 |
| 613D   | 690810  |     | SCREW<br>-(Muffler)                                 |
| 676    | 796956  |     | DEFLECTOR, Muffler                                  |
| 676A   | 395700  |     | DEFLECTOR, Muffler<br>-(Direct Outlet) (Direct Out) |
| 677    | 690661  |     | SCREW<br>-(Muffler Deflector)                       |
| 725A   | 690466  |     | SHIELD, Heat<br>-(Muffler)                          |
| 883    | 692237  |     | GASKET, Exhaust                                     |
| 981    | 690408  |     | BRACE, Muffler                                      |

135200 to 135299



| REF. NO. | PART NO. | DESCRIPTION   | REF. NO. | PART NO. | DESCRIPTION                   | REF. NO. | PART NO. | DESCRIPTION           |
|----------|----------|---|----------|----------|-------------------------------|----------|----------|-----------------------|
| 346      | 690661   | Screw (Spark Arrestor)  | 677      | 690661   | Screw (Muffler Deflector)     | 836      | 691683   | Screw (Muffler Guard) |
| 648      | 691660   | Screw (Muffler Guard Bracket)   | 725A     | 690440   | Shield-Heat (Fuel Tank)       | 836A     | 690810   | Screw (Muffler Guard) |
| 669      | 690425   | Bracket-Muffler Guard   | 832A     | 490534   | Guard-Muffler (Super Lo Tone) | 836B     | 690367   | Screw (Muffler Guard) |
| 676      | 393757   | Deflector-Muffler (Side Out) (Deep)   | 832B     | 690625   | Guard-Muffler (Lo Tone)       | 836C     | 691681   | Screw (Muffler Guard) |
|          |          | ----- Note -----  | 832C     | 498257   | Guard-Muffler (Round Lo Tone) | 836D     | 690661   | Screw (Muffler Guard) |
|          |          | 494423 Deflector-Muffler (Side Out) (Shallow)   |          |          |                               | 994A     | 399541   | Arrestor-Spark        |
|          |          | Used on Type No(s). 0029, 0167, 0190, 0225, 0248, 0276, 0767, 1029, 1276, 1167, 1190. |          |          |                               |          |          |                       |
| 676A     | 395700   | Deflector-Muffler (Direct Out)  |          |          |                               |          |          |                       |
| 676B     | 393758   | Deflector-Muffler (Louvered)  |          |          |                               |          |          |                       |

Engine Gasket Set-Reference 358  
Carburetor Overhaul Kit-Reference 121

Valve Gasket Set-Reference 1095

2810-20

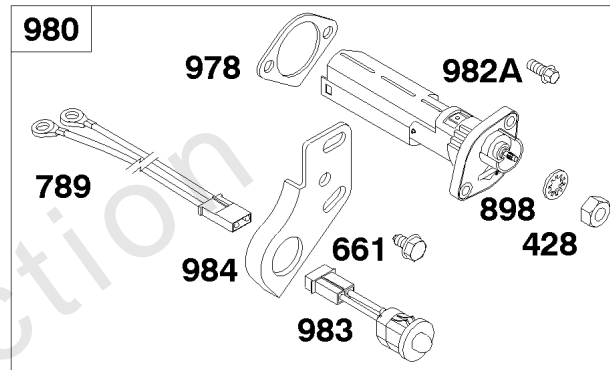
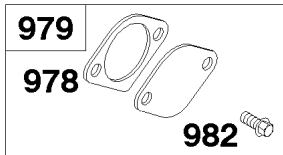
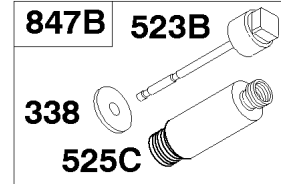
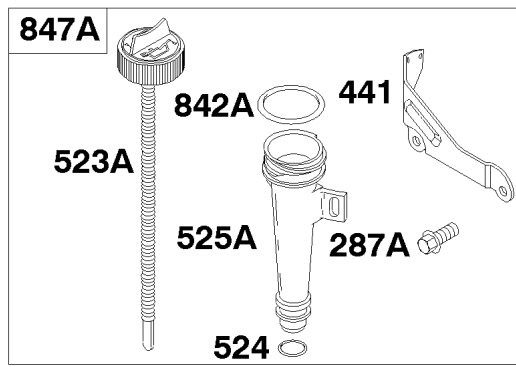
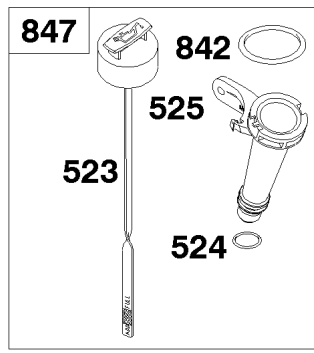
Assemblies include all parts shown in frames.

04/12/2012

## Muffler Groups 2

| REF NO | PART NO | QTY | DESCRIPTION   |
|--------|---------|-----|---|
| 346    | 690661  |     | SCREW<br>-(Spark Arrestor)                          |
| 648    | 691660  |     | SCREW<br>-(Muffler Guard Bracket)                   |
| 669    | 690425  |     | BRACKET, Muffler Guard                              |
| 676    | 796956  |     | DEFLECTOR, Muffler                                  |
| 676A   | 395700  |     | DEFLECTOR, Muffler<br>-(Direct Outlet) (Direct Out) |
| 676B   | 393758  |     | DEFLECTOR, Muffler<br>-(Louvered Outlet) (Louvered) |
| 677    | 690661  |     | SCREW<br>-(Muffler Deflector)                       |
| 725A   | 690466  |     | SHIELD, Heat<br>-(Muffler)                          |
| 832A   | 490534  |     | GUARD, Muffler<br>-(Super Lo Tone)                  |
| 832C   | 498257  |     | MUFFLER<br>-(Round Lo Tone)                         |
| 832B   | 690625  |     | MUFFLER<br>-(Lo Tone)                               |
| 836    | 691683  |     | SCREW<br>-(Muffler Guard)                           |
| 836A   | 690810  |     | SCREW<br>-(Muffler Guard)                           |
| 836B   | 690367  |     | SCREW<br>-(Muffler Guard)                           |
| 836D   | 690661  |     | SCREW<br>-(Muffler Guard)                           |
| 836C   | 691681  |     | SCREW<br>-(Muffler Guard)                           |
| 994A   | 399541  |     | ARRESTOR, Spark                                     |

135200 to 135299



| REF. NO. | PART NO. | DESCRIPTION  | REF. NO. | PART NO. | DESCRIPTION  | REF. NO. | PART NO. | DESCRIPTION   |
|----------|----------|--|----------|----------|--|----------|----------|---|
| 287      |          | Screw<br><b>(No Longer Available)</b><br>(Dipstick Tube)   | 524      | 691876   | Seal-Dipstick Tube   | 847      | 694381   | Dipstick/Tube Assembly<br>(Without Bracket)<br>(Used After Code Date 99031400). |
| 287A     | 691693   | Screw<br>(Dipstick Tube)   | 525      | 694379   | Tube-Dipstick<br>(31/32" ID Top)<br>(Used After Code Date 99031400).   | 847A     | 691379   | Dipstick/Tube Assembly<br>(With Bracket)<br>(Used Before Code Date 99031500).   |
| 338      | 690270   | Gasket-Dipstick  | 525A     | 694531   | Tube-Dipstick<br>(1 1/64" ID Top)<br>(Used Before Code Date 99031500). | 847B     | 493955   | Dipstick/Tube Assembly<br>(Uses 691257 Dipstick Tube)                           |
| 428      | 691612   | Nut<br>(OIL GARD®Kit)  | 525C     | 691257   | Tube-Dipstick<br>(Oil Filler Pipe Adapter)<br>(3 1/8" Long)            | 898      | 691077   | Washer<br>(OIL GARD®Kit)  |
| 441      | 690448   | Bracket-Oil Fill   | 661      | 690661   | Screw<br>(OIL GARD®Light Bracket)                                      | 978      | 273326   | Gasket-OIL GARD®  |
| 523      | 499621   | Dipstick<br>(8 7/16" Flat Wire)<br>(Used After Code Date 99031400).  | 789      | 398661   | Harness-Wiring   | 979      | 691382   | Cover-OIL GARD®   |
| 523A     | 691388   | Dipstick<br>(7 11/16" Spring)<br>(Used Before Code Date 99031500).   | 842      | 691031   | Seal-O Ring<br>(Dipstick Tube)<br>(Used After Code Date 99031400).     | 980      | 398182   | Kit-OIL GARD®   |
| 523B     | 691942   | Dipstick<br>(4 13/16" Round Bar)   | 842A     | 691870   | Seal-O Ring<br>(Dipstick Tube)<br>(Used Before Code Date 99031500).    | 982      | 690351   | Screw<br>(OIL GARD Cover)   |
|          |          | ----- Note -----<br>690777 Dipstick<br>(8 11/16" Spring)<br>Used on Type No(s).<br>0255, 0273, 0294,<br>0307, 0308, 1008,<br>1308. |          |          |  | 982A     | 690350   | Screw<br>(OIL GARD Cover)   |
|          |          |  |          |          |  | 983      | 398660   | Light-Indicator   |
|          |          |  |          |          |  | 984      | 692340   | Bracket-OIL GARD®Light  |

Engine Gasket Set-Reference 358  
Carburetor Overhaul Kit-Reference 121

Valve Gasket Set-Reference 1095

2810-27

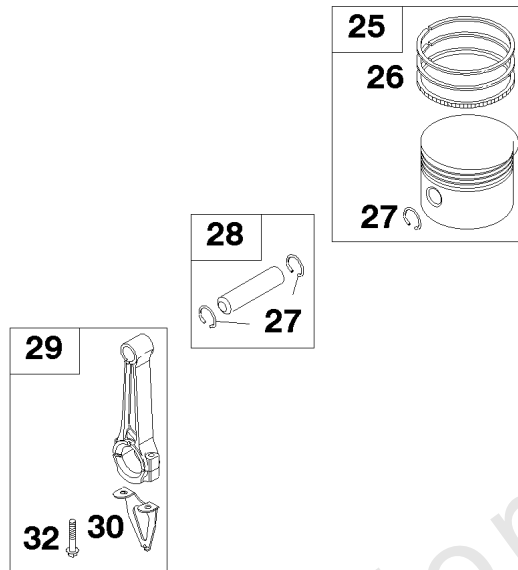
Assemblies include all parts shown in frames.

04/12/2012

## Oil Group

| REF NO | PART NO | QTY | DESCRIPTION  |
|--------|---------|-----|--|
| 287    | -----   |     | Screw<br>-(Dipstick Tube) (NO LONGER AVAILABLE)                                    |
| 287A   | 691693  |     | SCREW<br>-(Dipstick Tube)  |
| 338    | 690270  |     | SEAL, O-Ring<br>-(Dipstick Tube)   |
| 428    | 691612  |     | NUT<br>-(Oil GARD Kit)   |
| 441    | 690448  |     | BRACKET, Oil Fill  |
| 523    | 499621  |     | DIPSTICK<br>-Used After Code Date 99031400   |
| 523A   | 691388  |     | DIPSTICK<br>-Used Before Code Date 99031500  |
| 523B   | 691942  |     | DIPSTICK   |
| 524    | 691876  |     | SEAL, O-Ring   |
| 525    | 694379  |     | TUBE, Dipstick<br>-(31/32 Inside Diameter Top)<br>-Used After Code Date 99031400   |
| 525A   | 694531  |     | TUBE, Dipstick<br>-(1 1/64 Inside Diameter Top)<br>-Used Before Code Date 99031500 |
| 525C   | 691257  |     | TUBE, Dipstick<br>-(Oil Filler Pipe Adapter)(3 1/8 )                               |
| 661    | 690661  |     | SCREW<br>-(Oil Gard Light Bracket)   |
| 789    | 398661  |     | HARNES, Wiring   |
| 842    | 691031  |     | SEAL, O-Ring<br>-(Dipstick Tube)<br>-Used After Code Date 99031400                 |
| 842A   | 691870  |     | SEAL, O-Ring<br>-(Dipstick Tube)<br>-Used Before Code Date 99031500                |
| 847    | 694381  |     | DIPSTICK/TUBE ASSEMBLY<br>-(Without Bracket)<br>-Used After Code Date 99031400     |
| 847A   | 691379  |     | DIPSTICK/TUBE ASSEMBLY<br>-(With Bracket)<br>-Used Before Code Date 99031500       |
| 847B   | 493955  |     | DIPSTICK/TUBE ASSEMBLY   |
| 898    | 691077  |     | WASHER<br>-(Oil GARD Kit)  |
| 978    | 273326S |     | GASKET, Oil Guard  |
| 979    | 691382  |     | COVER, Oil Guard   |
| 980    | 398182  |     | KIT, Oil Guard   |
| 982    | 690351  |     | SCREW<br>-(Oil GARD)   |
| 982A   | 690350  |     | SCREW<br>-(Oil GARD)   |
| 983    | 398660  |     | LIGHT, Indicator   |
| 984    | 692340  |     | BRACKET, Oil Guard Light   |

**135200 to 135299**



| REF. NO. | PART NO. | DESCRIPTION  | REF. NO. | PART NO. | DESCRIPTION  | REF. NO. | PART NO. | DESCRIPTION  |
|----------|----------|--|----------|----------|--|----------|----------|--|
| 25       | 790908   | Piston Assembly (Standard)<br>(Used After Code Date 99011100).<br>----- <b>Note</b> -----<br>298904 Piston Assembly (Standard)<br>(Used Before Code Date 99011200).<br>-----<br>792532 Piston Assembly (.020" Oversize)<br>(Used After Code Date 99011100).<br>298906 Piston Assembly (.020" Oversize)<br>(Used Before Code Date 99011200).<br>-----<br>298907 Piston Assembly (.030" Oversize)<br>(Used Before Code Date 99011200). | 26       | 498680   | Ring Set (Standard)<br>(Used After Code Date 99011100).<br>----- <b>Note</b> -----<br>298982 Ring Set (Standard)<br>(Used Before Code Date 99011200).<br>-----<br>498682 Ring Set (.020" Oversize)<br>(Used After Code Date 99011100).<br>298984 Ring Set (.020" Oversize)<br>(Used Before Code Date 99011200).<br>-----<br>498683 Ring Set (.030" Oversize)<br>(Used After Code Date 99011100). | 27       | 691588   | Lock-Piston Pin  |
|          |          |  |          |          |  | 28       | 298909   | Pin-Piston (Standard)<br>----- <b>Note</b> -----<br>298908 Pin-Piston (.005" Oversize) |
|          |          |  |          |          |  | 29       | 299430   | Rod-Connecting   |
|          |          |  |          |          |  | 30       | 691759   | Dipper-Connecting Rod  |
|          |          |  |          |          |  | 32       | 691664   | Screw (Connecting Rod)   |

Engine Gasket Set-Reference 358  
Carburetor Overhaul Kit-Reference 121

Valve Gasket Set-Reference 1095

2810-4

**Assemblies include all parts shown in frames.**

04/12/2012



## *Piston/Rings/Connecting Rod*

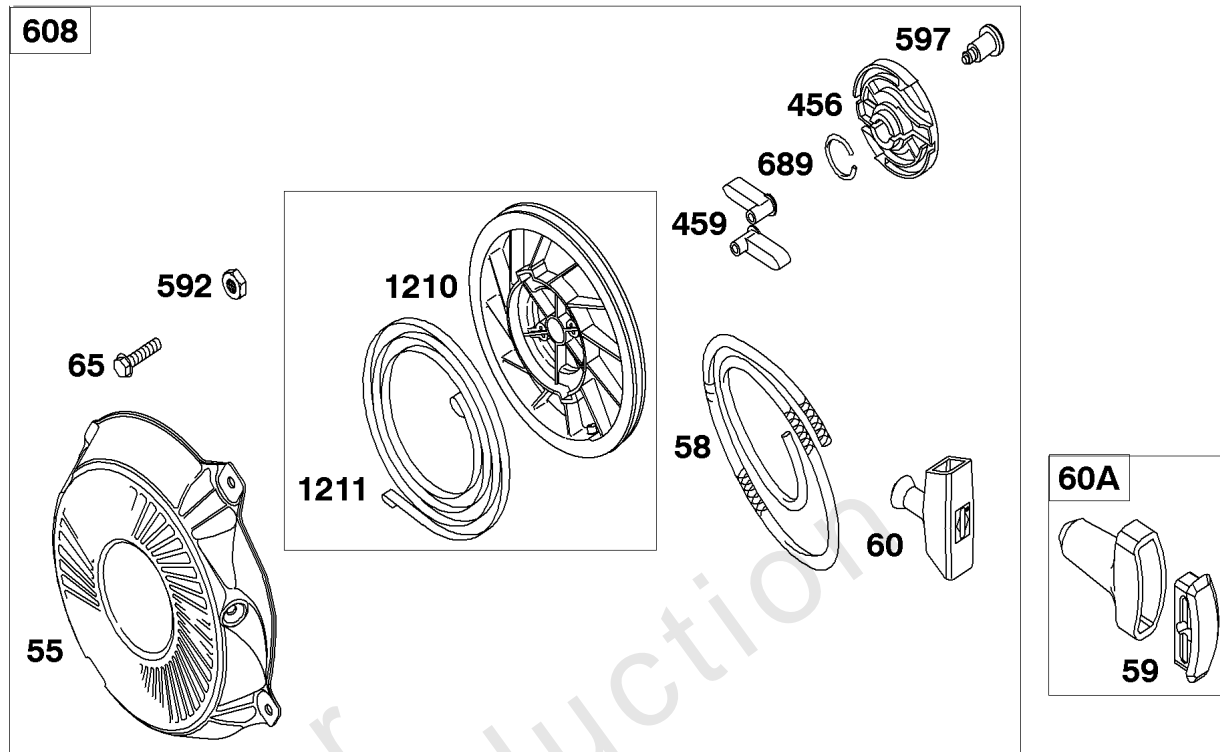
| REF NO | PART NO | QTY | DESCRIPTION  |
|--------|---------|-----|--|
| 25     | 298906  |     | PISTON ASSEMBLY<br>-(.020 Oversize)<br>-Used Before Code Date 99011200 |
| 25     | 298907  |     | PISTON ASSEMBLY<br>-(.030 Oversize)<br>-Used Before Code Date 99011200 |
| 25     | 793214  |     | PISTON ASSEMBLY<br>-(Standard)   |
| 26     | 298982  |     | SET, Ring<br>-(Standard)<br>-Used Before Code Date 99011200            |
| 26     | 298984  |     | SET, Ring<br>-(.020 Oversize)<br>-Used Before Code Date 99011200       |
| 26     | 498680  |     | SET, Ring<br>-(Standard)<br>-Used After Code Date 99011100             |
| 26     | 498682  |     | SET, Ring<br>-(.020 Oversize)<br>-Used After Code Date 99011100        |
| 26     | 498683  |     | SET, Ring<br>-(.030 Oversize)<br>-Used After Code Date 99011100        |
| 27     | 691588  |     | LOCK, Piston Pin   |
| 28     | 298908  |     | PIN, Piston<br>-(.005 Oversize)  |
| 28     | 298909  |     | PIN, Piston  |
| 29     | 299430  |     | ROD, Connecting<br>-(Standard)   |
| 30     | 691759  |     | DIPPER, Connecting Rod   |
| 32     | 691664  |     | SCREW<br>-(Connecting Rod)   |

## Replacement Engine

| REF NO | PART NO | QTY | DESCRIPTION  |
|--------|---------|-----|--|
| -----  |         |     | No engine replacement. Repair engine with individual parts.  |
| -----  |         |     | Top No-Load Speed: 3600<br>-Trim: E1   |
| -----  |         |     | Service Note: For all Go-Karts use only a Model 136200 series engine as a replacement, regardless of the original Model. |

Not For In Reproduction

**135200 to 135299**



| REF. NO. | PART NO. | DESCRIPTION                           | REF. NO. | PART NO. | DESCRIPTION                 | REF. NO. | PART NO. | DESCRIPTION                     |
|----------|----------|---------------------------------------|----------|----------|-----------------------------|----------|----------|---------------------------------|
| 55       | 691422   | Housing-Rewind Starter                | 65       | 690837   | Screw (Rewind Starter)      | 689C     | 691855   | Spring-Friction (Ratchet Pawl)  |
| 58       | 691921   | Rope-Starter (Cut To Required Length) | 456      | 692299   | Plate-Pawl Friction         | 1210     | 498144   | Pulley/Spring Assembly (Pulley) |
| 59       | 396892   | Insert-Grip                           | 459      | 281505   | Pawl-Ratchet                | 1211     | 498144   | Pulley/Spring Assembly (Spring) |
| 60       | 691915   | Grip-Starter Rope (1 Piece)           | 592      | 690800   | Nut (Rewind Starter)        |          |          |                                 |
| 60A      | 393152   | Grip-Starter Rope (2 Piece)           | 597      | 691696   | Screw (Pawl Friction Plate) |          |          |                                 |
|          |          |                                       | 608      | 497830   | Starter-Rewind              |          |          |                                 |

Engine Gasket Set-Reference 358  
Carburetor Overhaul Kit-Reference 121

Valve Gasket Set-Reference 1095

2810-23

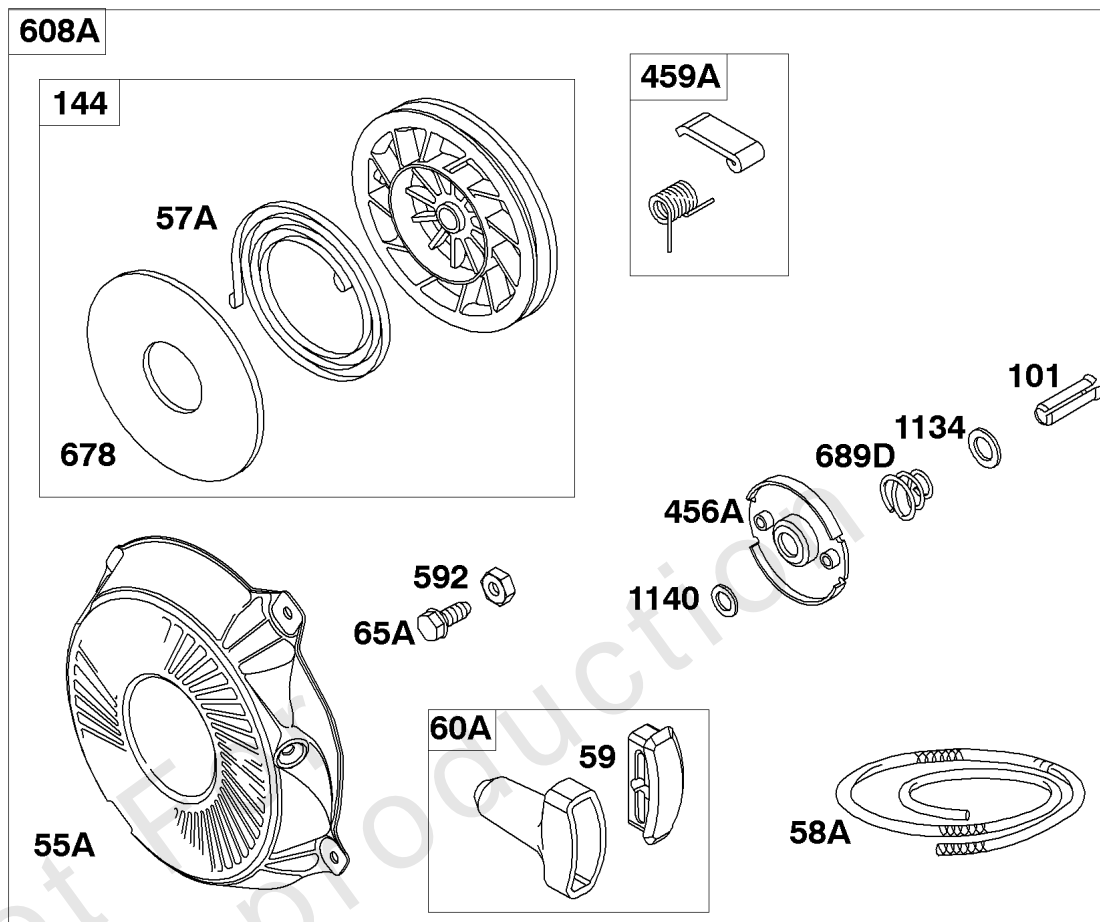
**Assemblies include all parts shown in frames.**

04/12/2012

## Rewind Group

| REF NO | PART NO | QTY | DESCRIPTION                                      |
|--------|---------|-----|--|
| 55     | 691422  |     | HOUSING, Rewind Starter                          |
| 58     | 691921  |     | ROPE, Starter<br>-(72 )(Cut To Required Length)  |
| 59     | 396892  |     | INSERT, Grip                                     |
| 60     | 691915  |     | GRIP, Starter Rope<br>-(1 Piece)                 |
| 60A    | 393152  |     | INSERT, Grip<br>-(2 Piece)                       |
| 65     | 690837  |     | SCREW<br>-(Rewind Starter)                       |
| 456    | 692299  |     | PLATE, Pawl Friction                             |
| 459    | 281505S |     | PAWL, Ratchet                                    |
| 592    | 690800  |     | NUT<br>-(Rewind Starter)                         |
| 597    | 691696  |     | SCREW<br>-(Pawl Friction Plate)                  |
| 608    | 497830  |     | HOUSING, Rewind Starter                          |
| 689    | 691783  |     | SPRING, Friction<br>-(Idle Speed Adjusting Only) |
| 1210   | 498144  |     | PULLEY/SPRING ASSEMBLY<br>-(Pulley)              |
| 1211   | 498144  |     | PULLEY/SPRING ASSEMBLY<br>-(Spring)              |

**135200 to 135299**



| REF. NO. | PART NO. | DESCRIPTION  | REF. NO. | PART NO. | DESCRIPTION                      | REF. NO. | PART NO. | DESCRIPTION  |
|----------|----------|--|----------|----------|----------------------------------|----------|----------|--|
| 55A      |          | Housing-<br>Rewind Starter<br>(For Complete Rewind<br>Starter Housing<br>Service, See Ref 608,<br>Previous Page) | 60A      | 393152   | Grip- Starter Rope               | 608A     |          | Starter-Rewind<br>(For Complete Rewind<br>Starter Service, See<br>Ref 608, Previous<br>Page) |
| 57A      | 491889   | Rewind Starter Spring  | 65A      | 94686    | Screw<br>(Rewind Starter)        | 678      | 224278   | Rewind Spacer  |
| 58A      | 280406   | Starter Rope<br>(Cut To<br>Required Length)  | 101      | 262626   | Shaft Pin                        | 689D     | 262625   | Friction Spring  |
| 59       | 396892   | Insert-Grip  | 144      | 493824   | Starter Pulley                   | 1134     | 498144   | Washer<br>(Pawl Friction Plate)  |
|          |          |  | 456A     | 224321   | Plate-Pawl Friction              | 1140     | 280973   | Washer<br>(Rewind Starter)   |
|          |          |  | 459A     | 492833   | Pawl-Ratchet<br>(Rewind Starter) |          |          |  |
|          |          |  | 592      | 690800   | Nut<br>(Rewind Starter)          |          |          |  |

Engine Gasket Set-Reference 358  
Carburetor Overhaul Kit-Reference 121

Valve Gasket Set-Reference 1095

2810-24

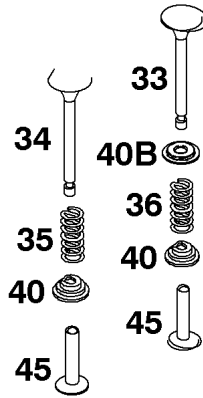
Assemblies include all parts shown in frames.

04/12/2012

## Rewind Group 2

| REF NO | PART NO | QTY | DESCRIPTION   |
|--------|---------|-----|---|
| 55A    | -----   |     | Housing-Rewind Starter<br>-(For Complete Rewind Starter Housing Service, See Ref 608, PreviousPage) |
| 57A    | 491889  |     | SPRING, Rewind Starter  |
| 58A    | 280406S |     | ROPE, Starter<br>-(Cut To Required Length)  |
| 59     | 396892  |     | INSERT, Grip  |
| 60A    | 393152  |     | INSERT, Grip<br>-(2 Piece)  |
| 65A    | 690759  |     | SCREW<br>-(Rewind Starter) (Rewind Starter)   |
| 101    | 262626  |     | PIN, Starter Grip   |
| 144    | 493824  |     | PULLEY/SPRING ASSEMBLY<br>-(Pulley)   |
| 456A   | 224321  |     | PLATE, Pawl Friction  |
| 459A   | 492833  |     | SPRING, Ratchet   |
| 592    | 690800  |     | NUT<br>-(Rewind Starter)  |
| 608A   | -----   |     | Starter-Rewind<br>-(For Complete Rewind Starter Service, See Ref 608, Previous Page)                |
| 678    | 224278  |     | SPACER<br>-(Rewind)   |
| 689D   | 262625  |     | SPRING, Friction<br>-(Pawl Friction Plate)  |
| 1134   | 224322  |     | WASHER<br>-(Pawl Friction Plate)  |
| 1140   | 280973  |     | WASHER<br>-(Rewind Starter)   |

**135200 to 135299**



| REF. NO. | PART NO. | DESCRIPTION   | REF. NO. | PART NO. | DESCRIPTION            | REF. NO. | PART NO. | DESCRIPTION              |
|----------|----------|---------------|----------|----------|------------------------|----------|----------|--------------------------|
| 33       | 211119s  | Valve-Exhaust | 35       | 690520   | Spring-Valve (Intake)  | 40       | 692194   | Retainer-Valve           |
| 34       | 261044s  | Valve-Intake  | 36       | 692180   | Spring-Valve (Exhaust) | 40B      | 691760   | Retainer-Valve (Exhaust) |
|          |          |               |          |          |                        | 45       | 690509   | Tappet-Valve             |

Engine Gasket Set-Reference 358  
Carburetor Overhaul Kit-Reference 121

Valve Gasket Set-Reference 1095

2810-5

**Assemblies include all parts shown in frames.**

04/12/2012

## Valve Group

| REF NO | PART NO | QTY | DESCRIPTION                   |
|--------|---------|-----|-------------------------------|
| 33     | 211119S |     | VALVE, Exhaust                |
| 34     | 261044S |     | VALVE, Intake                 |
| 35     | 690520  |     | SPRING, Valve<br>-(Intake)    |
| 36     | 692180  |     | SPRING, Valve<br>-(Exhaust)   |
| 40     | 692194  |     | RETAINER, Valve               |
| 40B    | 691760  |     | RETAINER, Valve<br>-(Exhaust) |
| 45     | 690509  |     | TAPPET, Valve                 |

Not For In Reproduction



