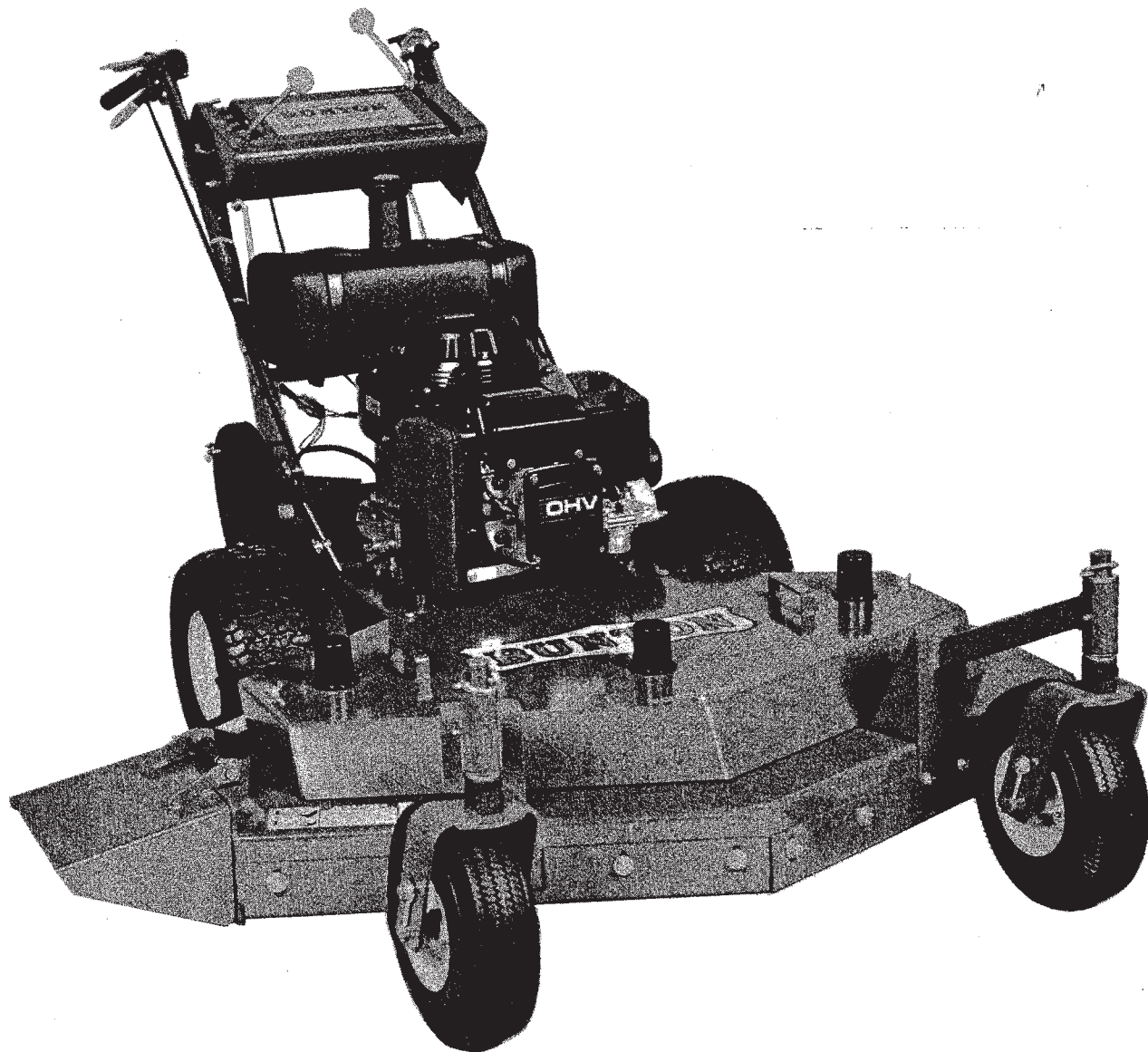




COMMERCIAL MOWERS



PARTS MANUAL

FOR

36", 48", 52" and 61"

SELF-PROPELLED MOWERS

(Serial Prefix "SS" - Serial Number SSBXXX 1 and Up)

Congratulations on the purchase of your new Bunton Lawn Mower. This product has been carefully designed and manufactured to give you a maximum amount of mowability, dependability and trouble free years of operating.

Outlined in this instruction manual you will find safety and service hints to keep your mower operating like new for years to come.

We recommend that you read this instruction manual and the enclosed engine manual prior to operation of this unit.

For your convenience, we have provided this space to copy the model and serial numbers from your mower. Please read this booklet and keep it handy for all operators and servicemen.

BUNTON	
MODEL	_____
SERIAL	_____
MANUFACTURED BY BUNTON COMPANY LOUISVILLE, KENTUCKY 40232 U.S.A.	

DATE PURCHASED _____
PURCHASED FROM _____

BUNTON LIMITED WARRANTY

Bunton equipment is warranted for 2 years against defects in material or workmanship, when operated and maintained in accordance with the Bunton Instruction Manual. Bunton Co. will replace or repair, free of charge, any part of the original equipment returned to us or our authorized servicing representative with transportation or postage thereon prepaid and which upon examination, shall be defective. The cost of replacing items that are subject to normal wear, such as but not limited to: air filter elements, belts, blades, edger-guards, grass bags and tires will be borne by the purchaser/owner unless such wear was caused by a defect in material or workmanship. Bunton Co. will not be liable for any consequential, incidental or special damages and/or expenses. Bunton Co. does not warrant engines as they are warranted by the engine manufacturers.

This parts manual is designed to provide the repairman with the exact parts information needed for mower maintenance.

Reference numbers are used on the parts drawings, the reference numbers are used **only** to locate the part number and description in the listing below the parts drawing. When ordering parts, **do not** order by reference number.

In a parts drawing, a group of parts may be contained within a box identified by a single reference number (See Example). This indicates that all the parts within the box may be ordered as a completed assembly. The parts may still be ordered individually, if needed.

All parts descriptions involving directions, such as right, left, front and rear, are given from the operator's position when operating mower.

The model and serial numbers of the mower are located on the left side behind gear box. **Please** record these numbers in the manual and when ordering parts, use both model and serial numbers to eliminate error and speed delivery.

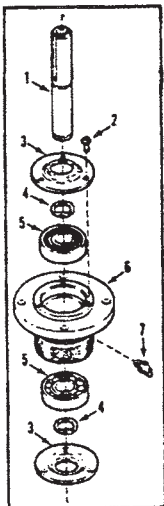
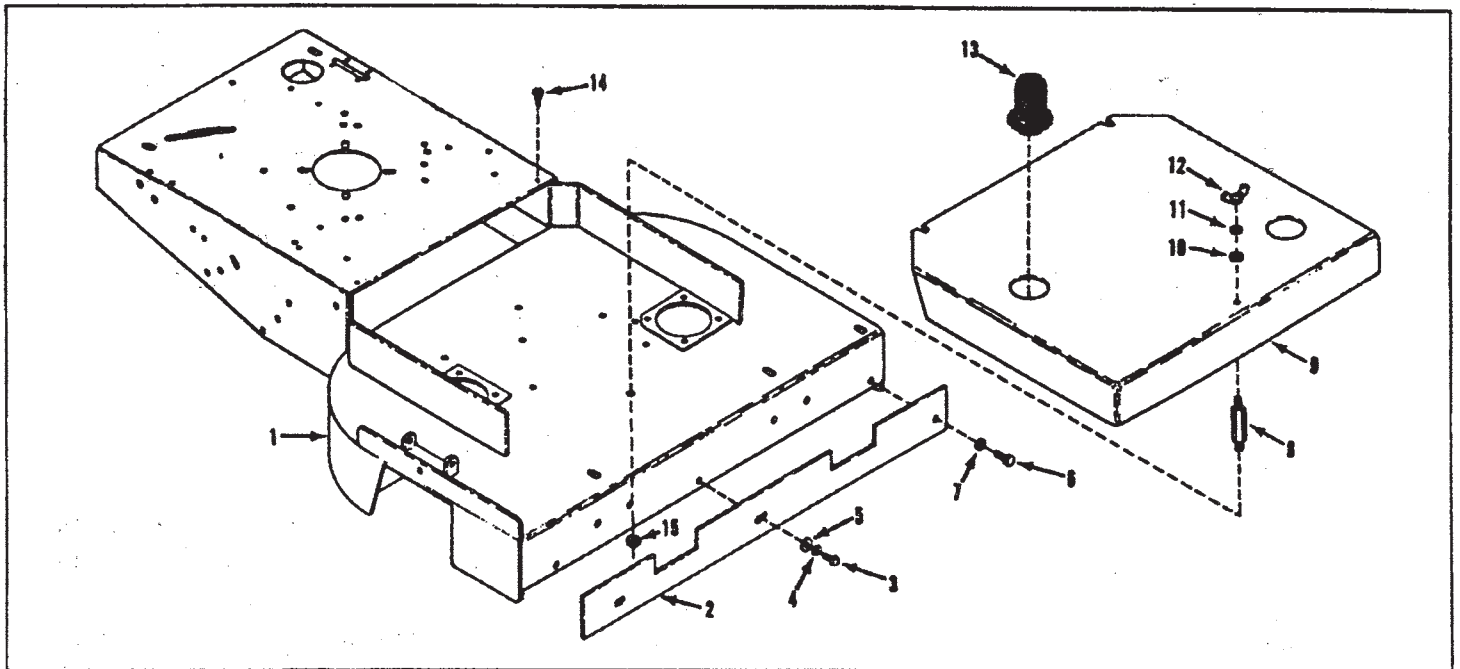


TABLE OF CONTENTS

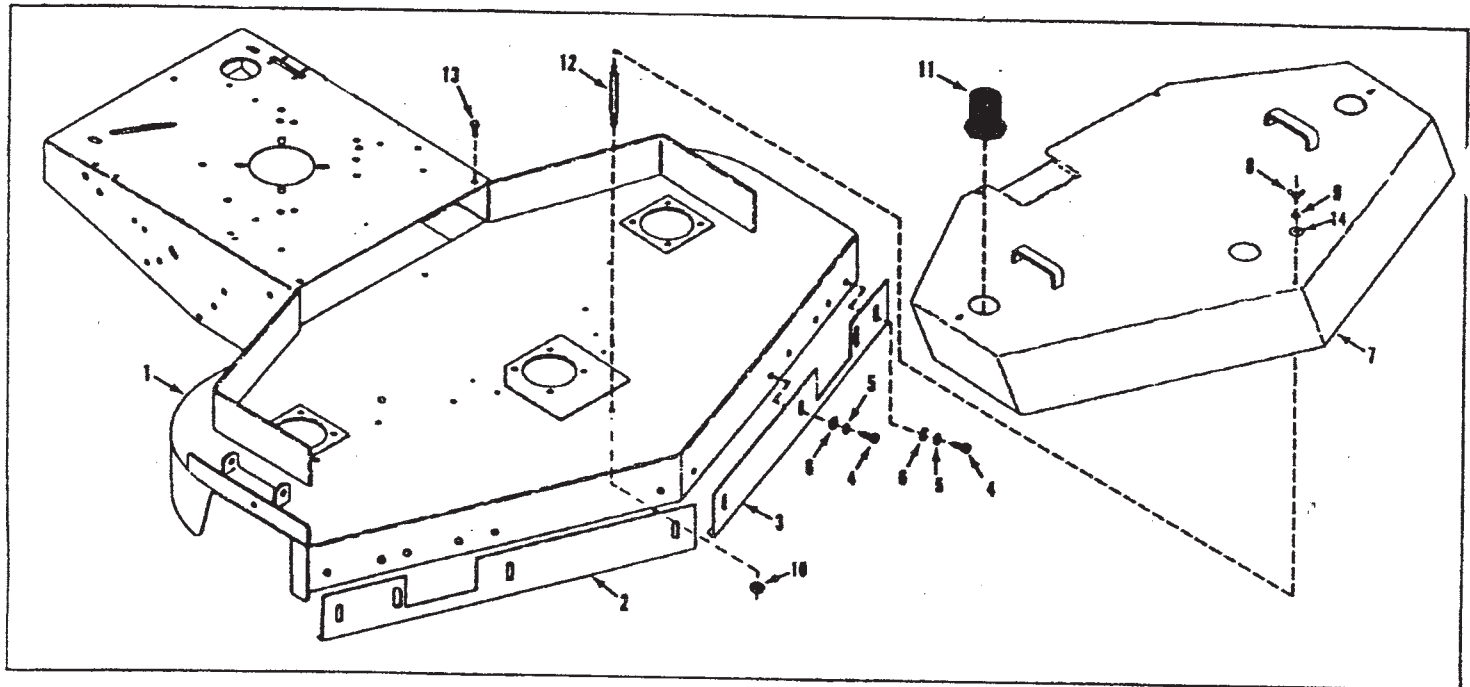
36" Main Frame, Hood & Front Guards	Page 3.
48" & 61" Main Frame, Hood & Front Guards	Page 4.
52" Main Frame, Hood & Front Guards	Page 4.
Handle Assembly	Page 5.
Rear Deck, Brakes & Wheel Drive System	Page 6.
Quick Adjust Caster Assembly	Page 7.
Cutter Housing	Page 7.
Corner Roller	Page 7.
Fuel Tank	Page 8.
Chute Deflector	Page 8.
Safety Flap	Page 8.
Turf Caster Assembly	Page 9.
Rear Wheel Assembly	Page 9.
Variable Speed & Engine Pulley	Page 10.
Lawn Caster Assembly	Page 10.
Reduction Gear Assembly	Page 10.
36" Blade Belt Drive System	Page 11.
48" Blade Belt Drive System	Page 12.
52" Blade Belt Drive System	Page 13.
61" Blade Belt Drive System	Page 14.
Decal Kits	Page 15.



36" MAIN FRAME, HOOD & FRONT GUARDS

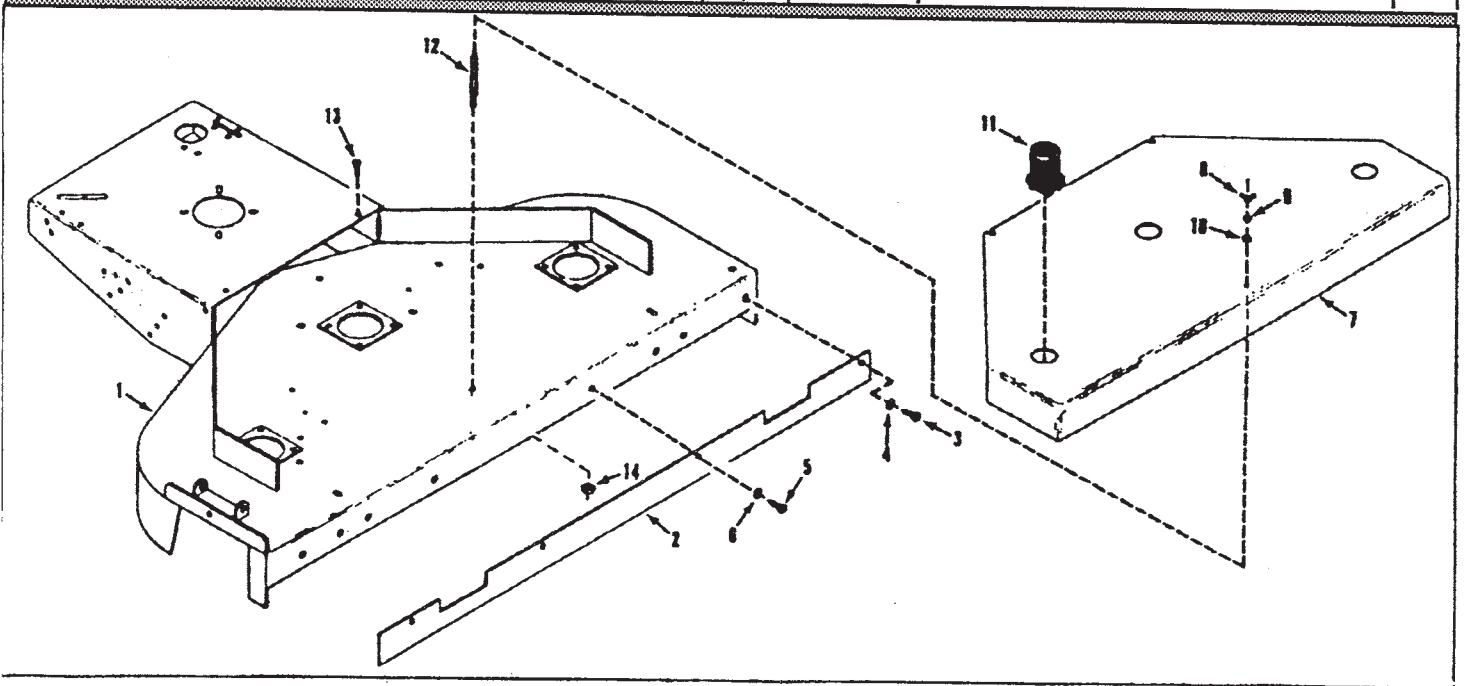
Ref. No.	Part No.	Description	No. Req'd.
1	PL5010AW	Main Frame, 36"	1
2	PL4035	Front Guard	1
3	Z19004	5/16"-18 X 3/4" Hexagon Head Cap Screw	2
4	Z37003	5/16" Lock Washer	2
5	Z34003	5/16" Flat Washer	2
6	Z24006	3/8"-16 X 1" Hexagon Head Cap Screw	1
7	Z37004	3/8" Spring Lock Washer	1
8	PL4789	Stud, Hood Mount	1

Ref. No.	Part No.	Description	No. Req'd.
9	PL5042A	Belt Cover	1
10	Z34002	1/4" Flat Washer	1
11	Z37002	1/4" Spring Lock Washer	1
12	PN0503	1/4" Wing Nut	1
13	PL0738	Spindle Guard	2
14	PL4788	Hood Retaining Bolt	2
15	Z31004	3/8"-16 Hexagon Head Lock Jam Nut	1



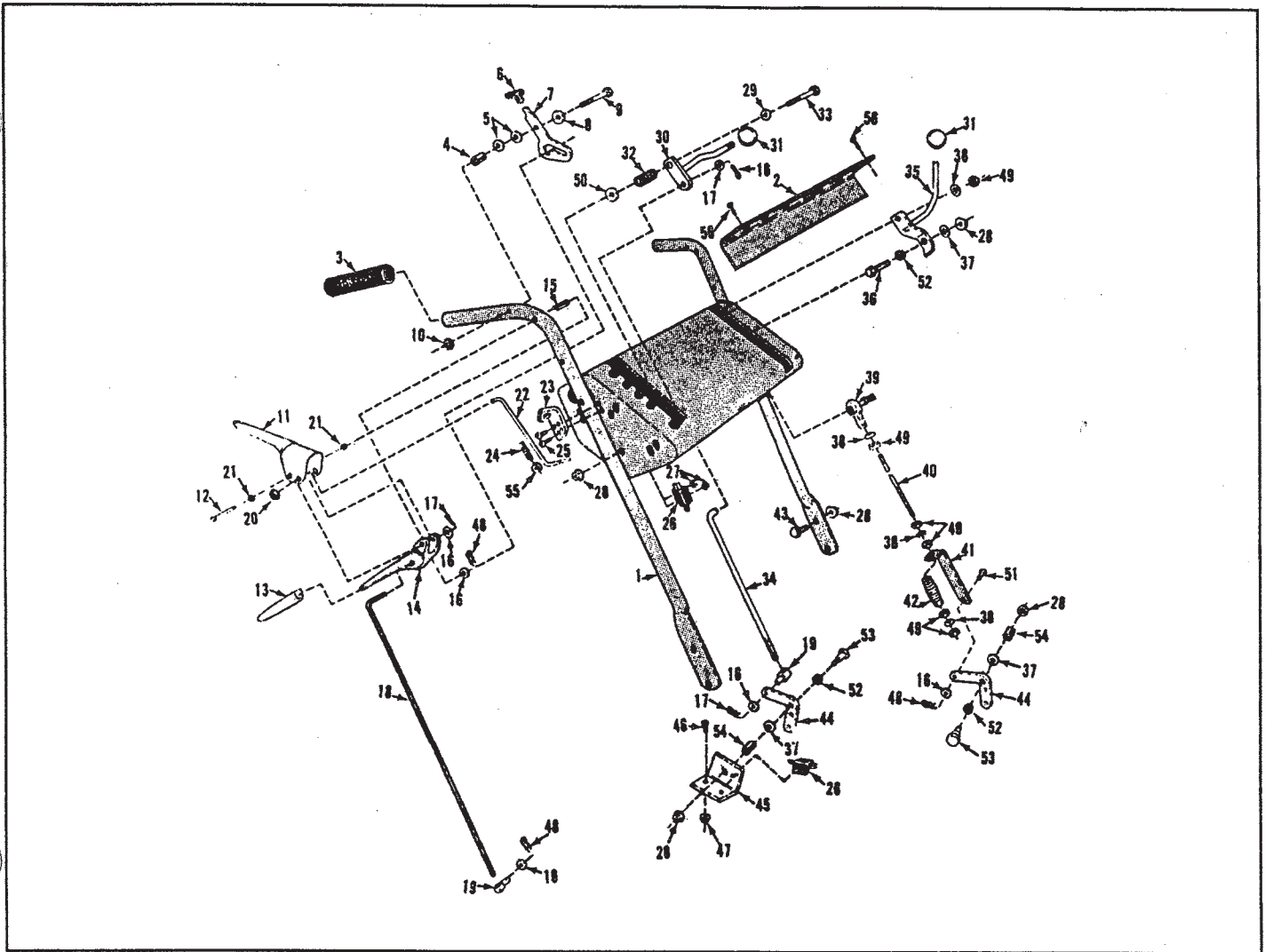
48" and 61" MAIN FRAME, HOOD & FRONT GUARDS

Ref. No.	Part No.	Description	No. Req'd.	Ref. No.	Part No.	Description	No. Req'd.
1	PL5025AW	Main Frame, (48")	1	8	PN0503	1/4" Wing Nut	3
	PL5045AW	Main Frame, (61")	1	9	Z37002	1/4" Spring Lock Washer	3
2	PL4850	Front Guard, Right (48")	1	10	Z31004	3/8" - 16 Hexagon Head Lock Jam Nut	3
3	PL4849	Front Guard, Left (48")	1	11	PL0738	Spindle Guard	3
4	Z24006	3/8" - 16 x 1" Hexagon Head Cap Screw	8	12	PL4789	Stud, Hood Mount	3
5	Z37004	3/8" Spring Lock Washer	8	13	PL4788	Hood, Retaining Bolt	2
6	Z34004	3/8" Flat Washer	8	14	Z34002	1/4" Flat Washer	3
7	PL4847A	Belt Cover (48")	1				
	PL1316A	Belt Cover (61")	1				



52" MAIN FRAME, HOOD & FRONT GUARD

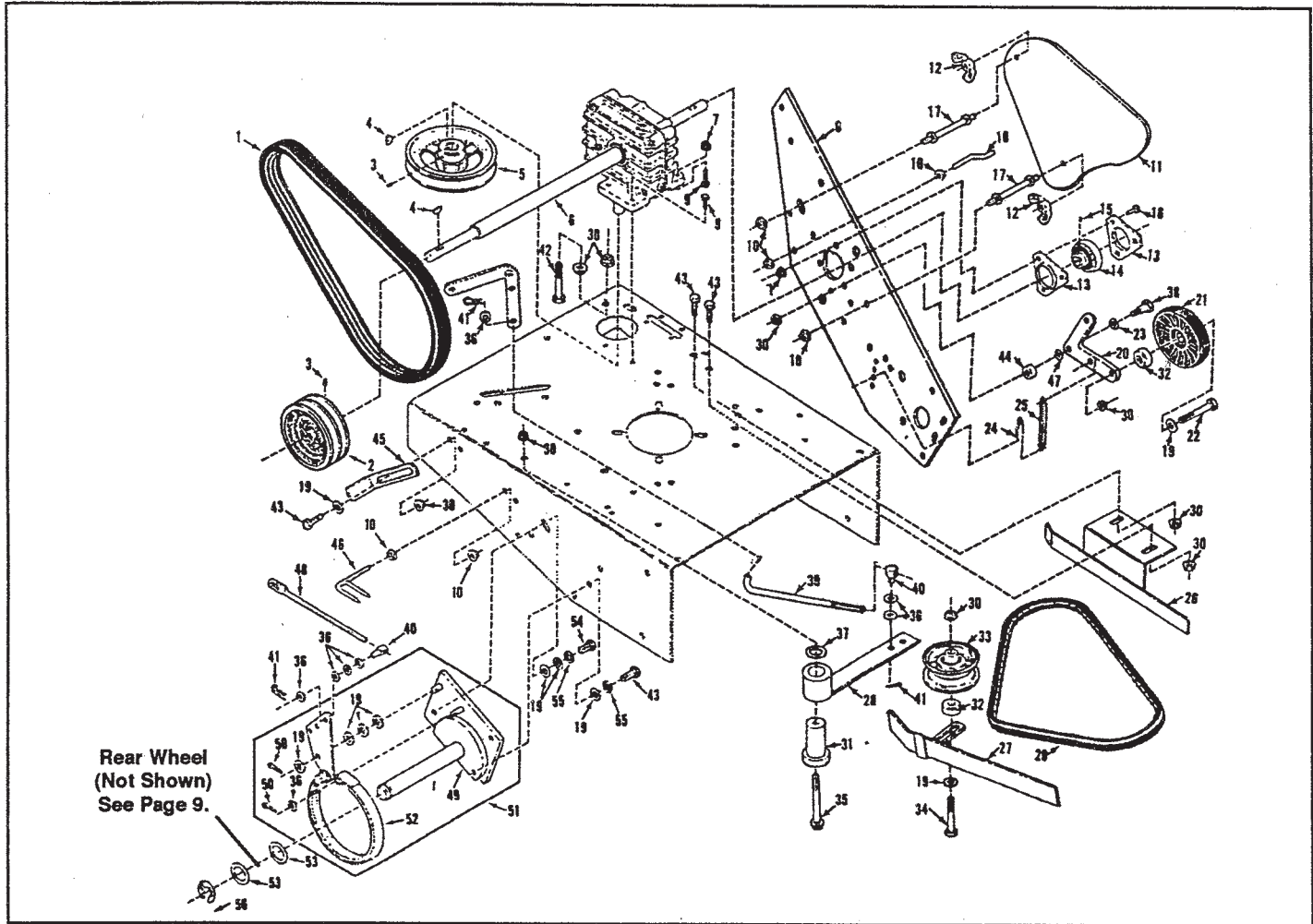
Ref. No.	Part No.	Description	No. Req'd.	Ref. No.	Part No.	Description	No. Req'd.
1	PL5044AW	Main Frame, 52"	1	8	PN0503	1/4" Wing Nut	1
2	PL4051	Front Guard, 52"	1	9	Z37002	1/4" Spring Lock Washer	1
3	Z24006	3/8"-16 X 1" Hexagon Head Cap Screw	1	10	Z34002	1/4" Flat Washer	1
4	Z37004	3/8" Spring Lock Washer	1	11	PL0738	Spindle Guard	3
5	Z19004	5/16"-18 X 3/4" Hexagon Head Cap Screw	3	12	PL4789	Stud, Hood Mount	1
6	Z37003	5/16" Spring Lock Washer	3	13	PL4788	Hood Retaining Bolt	2
7	PL4083A	Belt Cover	1	14	Z31004	3/8" - 16 Hexagon Head Lock Jam Nut	1



HANDLE ASSEMBLY

Ref. No.	Part No.	Description	No. Req'd	Ref. No.	Part No.	Description	No. Req'd
1	PL5002AW	Top Handle w/Decals	1	29	Z34004	3/8" Flat Washer	1
2	PL5009A	Bottom Console Panel w/Decals	1	30	PL5022W	Variable Speed Lever Weldment	1
3	PL5029	Handle Grip	2	31	PL5001	Knob	2
4	PL5016	Spacer - Traction Lock	2	32	PL5043	Spring - Variable Speed Lever	1
5	Z34002	1/4" Flat Washer	4	33	PC007	Shoulder Bolt	1
6	PL5033	Knob - Traction Lock	2	34	PL4812	Variable Speed Control Rod	1
7	PL4093	Traction Lock	2	35	PL5021W	Blade Control Lever Weldment	1
8	P0336	Washer - Spring	2	36	PL5013	Shoulder Bolt	1
9	Z14014	1/4" - 20 x 2" Hex. Hd. Cap Screw	2	37	PL5023	Snap - In Bushing	3
10	Z71101	1/4" - 20 Hex. Hd. Lock Nut	2	38	Z37013	5/16" Internal Lock Washer	1
11	PL5004A	Presence Control Lever	2	39	PL4595	Ball Joint - Blade Engagement Lever	1
12	PL5027	Clevis Pin	2	40	PL4764	Blade Control Rod	1
13	PL0459	Grip - Traction Lever	2	41	PL4765	Bracket - Retaining Spring	1
14	PL4094	Traction Lever	2	42	PN1032	Spring - Retaining	1
15	Z47017	Roll Pin	2	43	Z24004	3/8" - 16 x 3/4" Hex. Hd. Cap Screw	2
16	Z34003	5/16" Flat Washer	5	44	PL5026	Bellcrank - 90 degree Legs	2
17	Z50001	Cotter Pin, 3/32" x 1/2"	4	45	PL5011	Bracket - Variable Speed Bellcrank	1
18	PL5038	Traction Control Rod	2	46	Z19004	5/16" - 18 x 3/4" Hex. Hd. Cap Screw	2
19	PL0355	Swivel	3	47	Z30003	5/16" - 18 Flange Nut	2
20	PL4593	Push-On Fastener	2	48	Z49001	Hair Pin Clip	4
21	PL5014	Bushing - Presence Lever	4	49	Z32003	5/16" - 24 Hex Hd. Nut	6
22	PL5030	Presence Linkage Rod	2	50	P2010	Flat Washer - Special	1
23	PL5005	Presence Linkage Bracket	2	51	P0433	Clevis Pin	1
24	PL5015	Presence Linkage Spring	2	52	PL5031	Belleville Disc Washer	3
25	Z11002	10 - 24 x 1/2" Pan Hd. Mach. Screw	8	53	PL4507	Shoulder Bolt	2
26	PL4518	Interlock Switch	4	54	PL5008	Spacer - Shoulder Bolt	2
27	Z30001	10 - 24 Lock Washer & Nut	8	55	Z34001	#10 Flat Washer	2
28	Z30004	3/8" - 16 Flange Nut	6	56	Z13102	#10 - 32 x 1/2" Self Tapping Screw	4

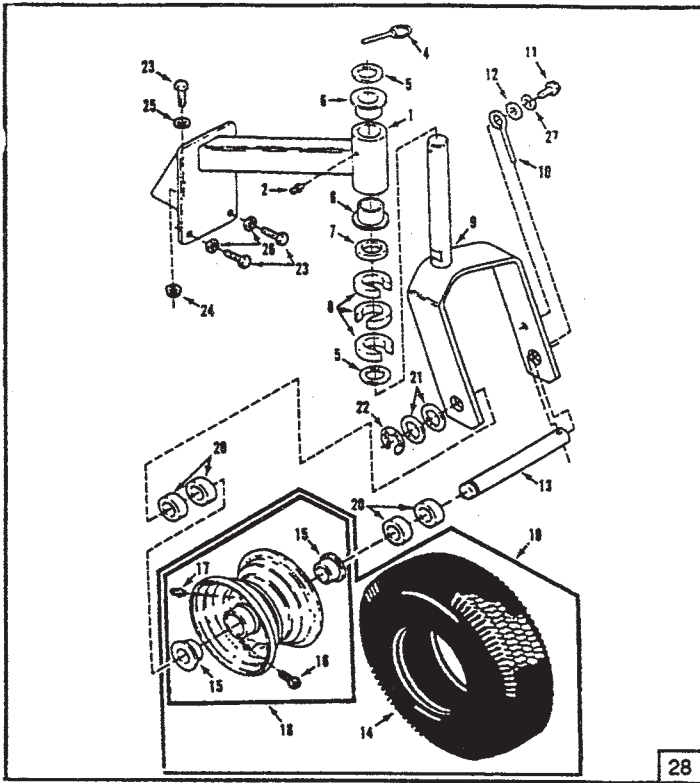
REAR DECK, BRAKES & WHEEL DRIVE SYSTEM



Ref. No.	Part No.	Description	No. Req'd
1	PL4275	Dual V-Belt Traction	2
2	PL4281	Dual Pulley, Output Shaft w/Set Screw	2
3	Z40003	5/16" - 18 x 3/8" Socket Hd. Set Screw	4
4	PL0977	3/16" Hi-Pro Key	3
5	PL0787	Pulley Gearbox	1
6	PL0737	Guard, Output Shaft	1
7	Z30002	1/4" - 20 Flange Nut	10
8	PL5003	Lower Side Handle	2
9	Z14005	1/4" - 20 x 7/8" Hex. Hd. Cap Screw	4
10	Z30003	5/16" - 18 Flange Nut	12
11	PL5036	Traction Guard	2
12	PL8060	Wing Nut	4
13	PL0832	Flange Plate	4
14	PL0878	Bearing	2
15	Z38101	10 - 32 x 1/4" Socket Hd. Set Screw	4
16	Z14003	1/4" - 20 x 5/8" Hex. Hd. Cap Screw	6
17	PL8053	Stud, Traction Guard	4
18	PL0112	Belt Guide	2
19	Z34004	3/8" Flat Washer	17
20	PL5024	Bellcrank -- Acute Angle	2
21	PL8037A	Idler Pulley	2
22	Z24014	3/8" - 16 x 2" Hex. Hd. Cap Screw	2
23	PL5031	Belleville Disc Washer	2
24	PL0032	Clip	2
25	PL0031	Spring	2
26	PL5046W	Belt Guide - Tight Side	1
27	PL5047W	Belt Guide - Slack Side	1
28	PL5012W	Idler Arm - Variable Speed	1
29	PL5039	Variable Speed Belt	1
30	Z30004	3/8" - 16 Flange Nut	10

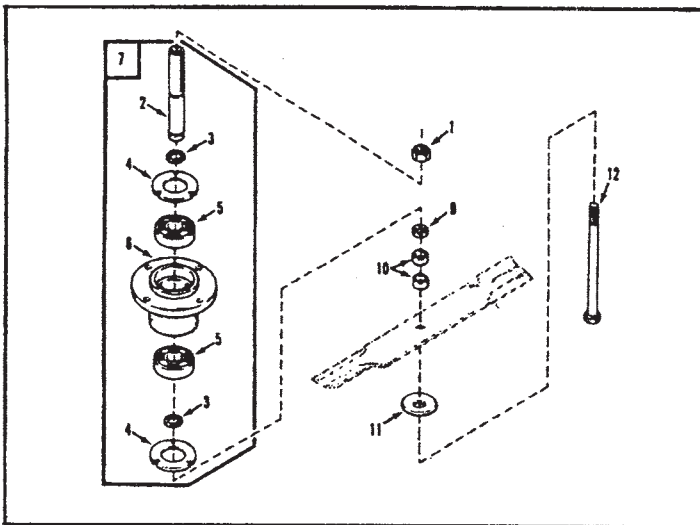
Ref. No.	Part No.	Description	No. Req'd
31	PL4469	Pivot Tube - Idler Arm	1
32	PL0400	Spacer	3
33	PAL0368	Idler Pulley	1
34	Z24016	3/8" - 16 x 2-1/4" Hex. Hd. Cap Screw	1
35	Z24020	3/8" - 16 x 2-3/4" Hex. Hd. Cap Screw	1
36	Z34003	5/16" Flat Washer	13
37	Z35014	1" Machinery Bushing	1
38	PL4507	Shoulder Bolt	2
39	PL4476	Rod - Variable Speed	1
40	PL0355	Swivel	3
41	Z49001	#13 Hair Pin	4
42	Z24024	3/8" - 16 x 3-1/4" Hex. Hd. Cap Screw	1
43	Z24008	3/8" - 16 x 1-1/4" Hex. Hd. Cap Screw	2
44	PL5008	Spacer - Shoulder	2
45	PL1125	Belt Guide	2
46	PL4287	Scraper, Dual	2
47	PL5023	Snap - In Bushing	2
48	PL1035	Rod Brake	2
49	PL4285AL	Stub Axle, Left	1
	PL4286AR	Stub Axle, Right	1
50	Z51001	1/8" x 1/2" Cotter Pin	4
51	PL4283AL	Stub Axle/Brake Assembly - Left	1
	PL4284AR	Stub Axle/Brake Assembly - Right	1
52	PAL1155AL	Brake Band Lever Assembly - Left	1
	PAL1156AR	Brake Band Lever Assembly - Right	1
53	Z35012	7/8" Machinery Bushing	4
54	Z24006	3/8" - 16 x 1" Hex. Hd. Cap Screw	2
55	Z37004	3/8" Spring Lock Washer	4
56	PL4278	7/8" E-Ring	2

QUICK ADJUST CASTERS (36", 48" & 52" Mowers)



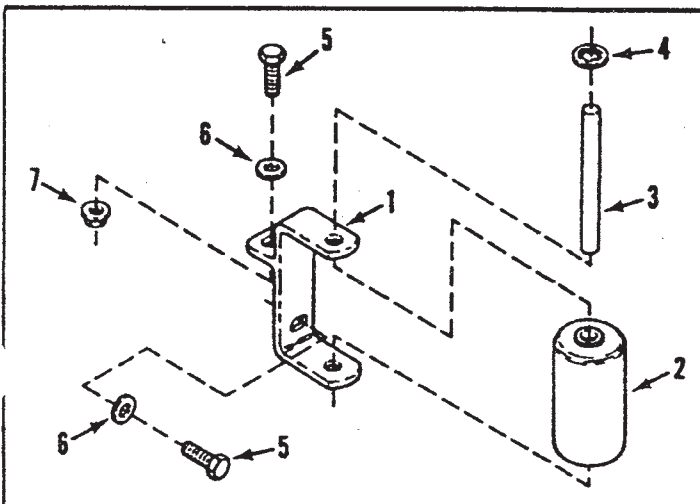
Ref. No.	Part No.	Description	No. Req'd.
1	PL8086W	Mount Bracket, Turf Caster	2
2	PL8125	Zerk Fitting	2
4	PM462	Pin, Caster Post	2
5	Z35014	Machinery Bushing, 1"	4
6	PJH1060	Bushing, Caster Tube	4
7	PL8110	Spacer	2
8	PJH1054	Spacer, Caster Tube	6
9	PL8085W	Yoke, Turf Caster	2
10	PL8087	Hook	2
11	Z24004	3/8"-16 X 3/4" Hexagon Head Cap Screw	2
12	Z34004	3/8" Flat Washer	2
13	PL8088	Shaft, Caster Wheel	2
14	PL0958	Tire	2
15	PL0941	Ball Bearing	4
16	P0266	Valve Stem	2
17	PR0909	Zerk Fitting	2
18	PL0959A	Rim Assembly	2
19	PAL0942A	Wheel Assembly, Pneumatic	2
20	PL0417	Spacer	8
21	Z35010	3/4" Machinery Bushing	4
22	PL8138	3/4" E-Ring	2
23	Z19004	5/16"-18 X 3/4" Hexagon Head Cap Screw	6
24	Z30003	5/16"-18 Flange Nut	2
25	Z34003	5/16" Flat Washer	2
26	Z37003	5/16" Lock Washer	4
27	Z37004	3/8" Lock Washer	2
28	PL8084AW	Turf Caster Assembly	2

CUTTER HOUSING

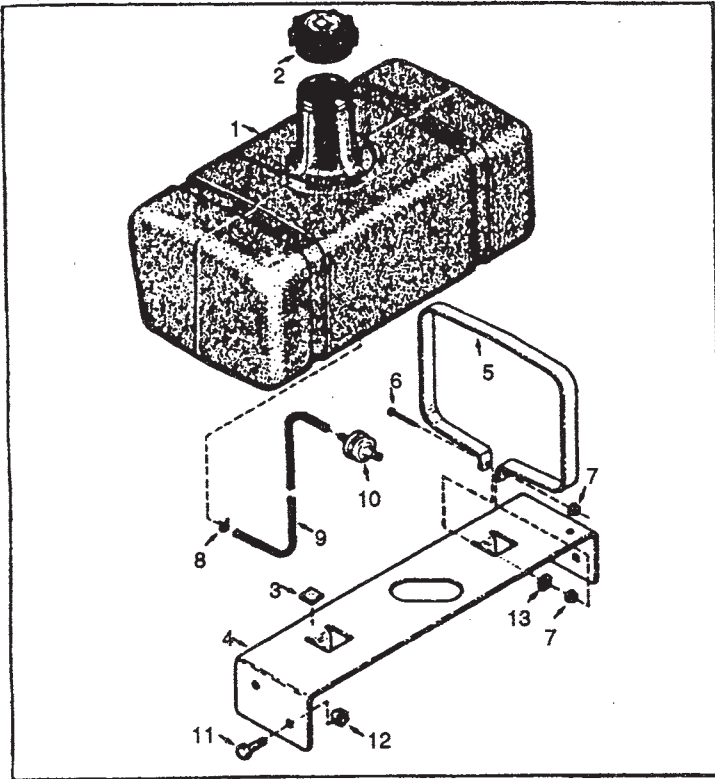


Ref. No.	Part No.	Description	No. Req'd.
1	Z32010	5/8"-18 Hexagon Head Nut	1
2	PL4607	Spindle	1
3	P0410	Snap Ring	2
4	PL4608	Cap	2
	Z13102	10-32 X 1/2" Self-Tapping Pan Head Screw	6
5	PL4609	Bearing	2
6	PL4606	Housing, Cutter	1
	P0310	Zerk Fitting	1
	Z24006	3/8"-16 X 1" Hexagon Head Cap Screw	4
	Z30004	3/8"-16 Flange Nut	4
7	PL4606A	Cutter Housing Assembly	1
9	PL0617	1/4" Spacer	1
10	PL0618	1/2" Spacer	2
11	PLO624	Washer, Steel	1
12	PAL0815	Blade Bolt with Nut	1

CORNER ROLLER (OPTIONAL)

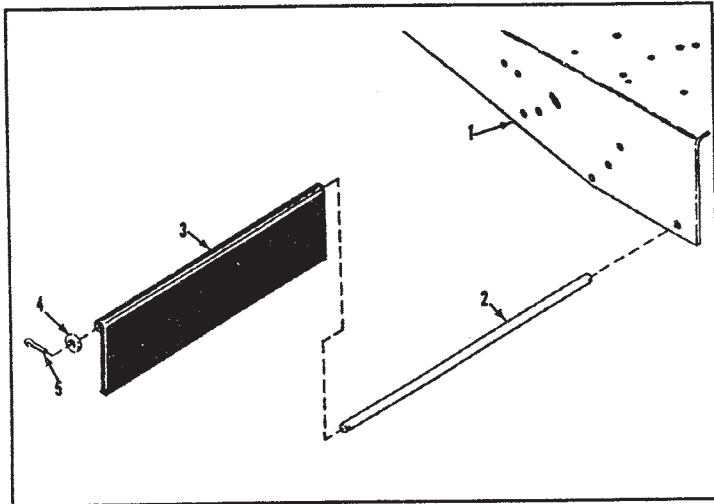


Ref. No.	Part No.	Description	No. Req'd.
1	PL4358A	Mount Bracket, Roller Guide	1
2	PL4356A	Roller with Bushings	1
3	PL4357	Axle, Roller	1
4	PL4359	Push-On Fastener	2
5	Z24006	3/8"-16 X 1" Hexagon Head Cap Screw	2
6	Z34004	3/8" Flat Washer	2
7	Z30004	3/8"-16 Flange Nut	1



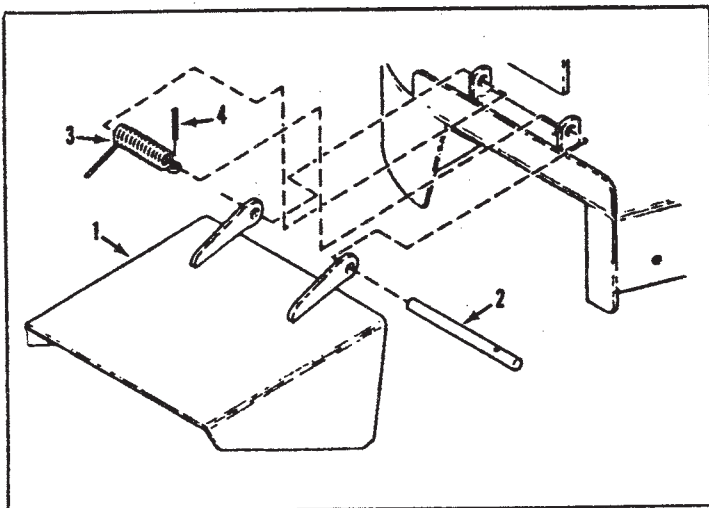
FUEL TANK

Ref. No.	Part No.	Description	No. Req'd
1	PL8121	Fuel Tank, 4.2 gal.	1
2	PL8122	Fuel Tank Cap	1
3	PC058	Fuel Tank Pad	1
4	PL5006	Fuel Tank Bracket	1
5	PL8034	Fuel Tank Strap	2
6	Z10012	#10-24 X 1-3/4" Pan Head Machine Screw	2
7	Z30001	#10-24 Lock Washer & Nut	4
8	PL8151	Fuel Line Clamp	4
9	PL4000	24" Fuel Line	1
10	PM244	Fuel Filter	1
11	Z21004	3/8"-16 X 3/4" Hexagon Head Cap Screw	4
12	Z30003	3/8"-16 Flange Nut	4
13	Z34001	#10 Flat Washer	2



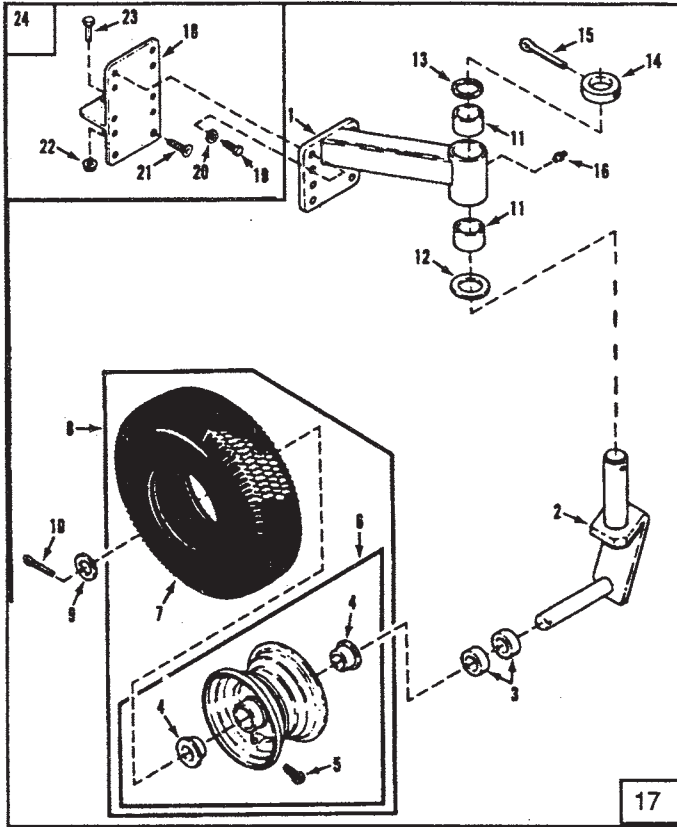
SAFETY FLAP

Ref. No.	Part No.	Description	No. Req'd
1		Main Frame (See Page 3 & 4)	1
2	PL0770	Rod, Safety Flap 19"	1
3	PC315	Safety Flap	1
4	Z34003	5/16" Flat Washer	2
5	Z50001	3/32" x 1/2" Cotter Pin	2



CHUTE DEFLECTOR

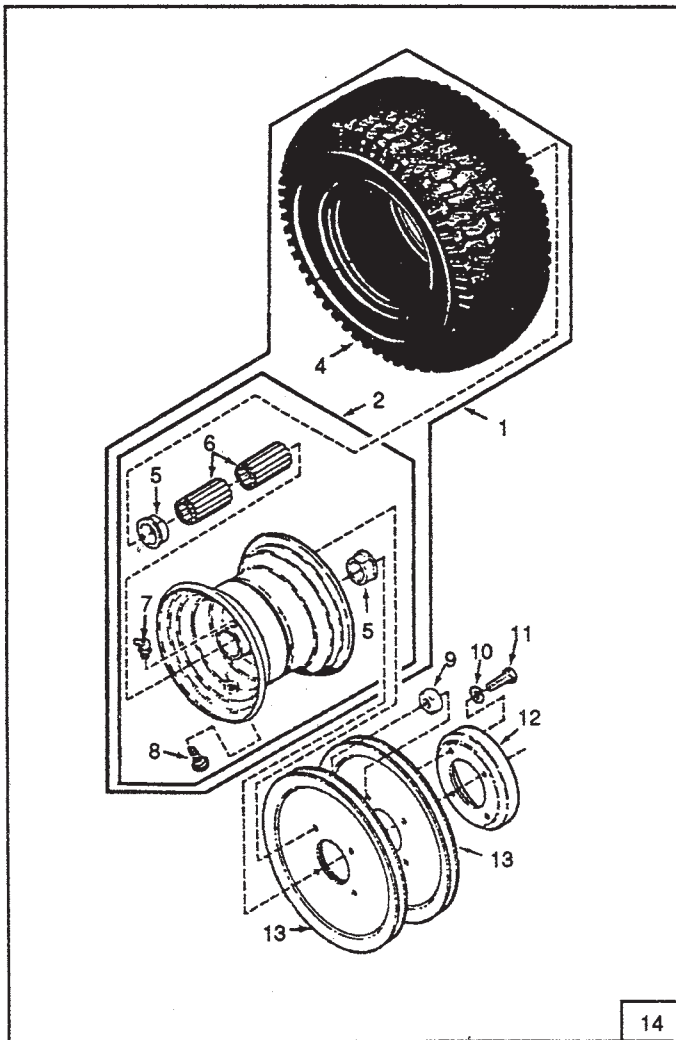
Ref. No.	Part No.	Description	No. Req'd
1	PL4473A	Chute Deflector	1
2	PL4475	Shaft, Chute Deflector	1
3	PL4474	Spring, Chute Deflector	1
4	Z44022	3/16" X 1-1/2" Roll Pin	1



TURF CASTER

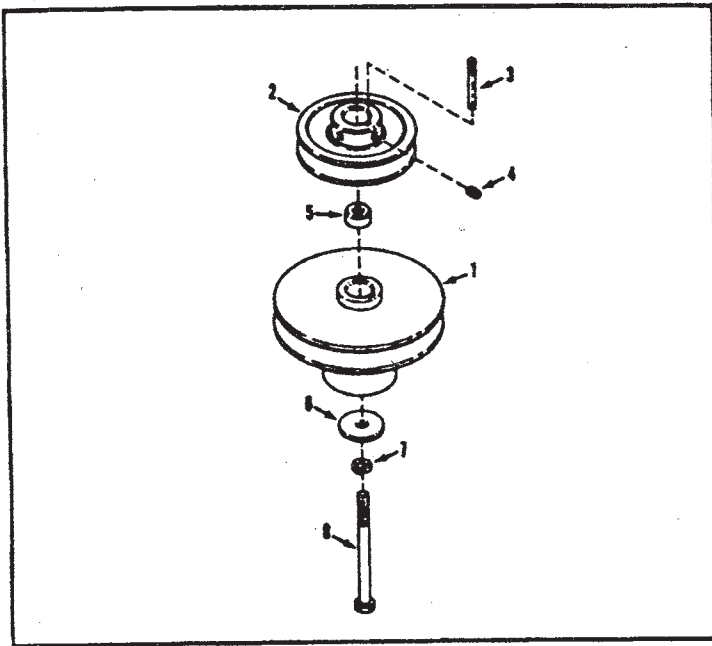
(36", 40", 48", 52",
and Standard on 61")

Ref. No.	Part No.	Description	No. Req'd.
1	PAL0937A	Caster Support with Bushings	2
2	PL0938AL	Caster Yoke, Left	1
	PL0939AR	Caster Yoke, Right	1
3	PL0417	Spacer, Caster Post	4
4	PL0941	Roller Bearing	4
5	P0266	Valve Stem	2
6	PL0959A	Rim Assembly	2
7	PL0958	Tire	2
8	PAL0942A	Wheel Assembly, Pneumatic, 4.10/3.50-5	2
9	Z35010	3/4" Machinery Bushing	2
10	Z51004	1/8" X 1-1/4" Cotter Pin	2
11	PL0928	Bushing	4
12	Z75012	10 Gauge, 7/8" Machine Bushing	2
13	Z35012	14 Gauge, 7/8" Machine Bushing	2
14	PL1157	Collar	2
15	Z51027	3/16" X 1-1/2" Cotter Pin	2
16	P0309	Zerk Fitting	2
17	PAL0935AL	Caster Assembly, Left 4.10/3.50-5	1
	PAL0936AR	Caster Assembly, Right 4.10/3.50-5	1
18	PL0762A	Mounting Bracket, Caster Post	2
19	Z24004	3/8"-16 X 3/4" Hexagon Head Cap Screw	8
20	Z37004	3/8" Spring Lock Washer	8
21	Z57004	5/16"-18 X 3/4" Flat Head Socket Set Screw	4
22	Z30003	5/16"-18 Flange Nut	2
23	Z19004	5/16"-18 X 3/4" Hexagon Head Cap Screw	2
24	PAL0985AL	Caster Assembly, Left with Mounting Bracket	1
	PAL0986AR	Caster Assembly, Right with Mounting Bracket	1



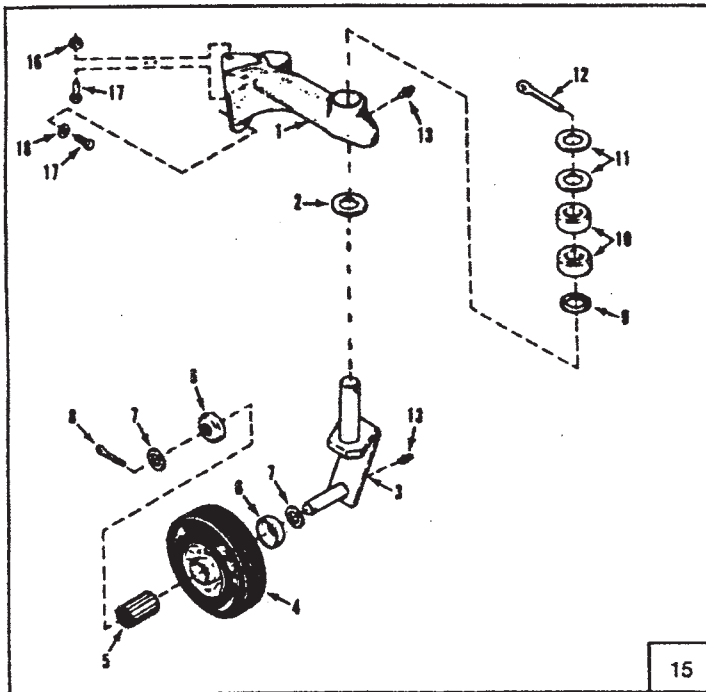
REAR WHEEL

Ref. No.	Part No.	Description	No. Req'd
1	PL4282A	Wheel Assembly, Pneumatic	2
2	PL4280A	Wheel Assembly	2
4	P0265	Tire, Pneumatic, Tubeless	2
5	P0234	Retainer, Grafoil	4
6	P0267	Bearing, Roller	4
7	P0307	1/4" - 28 Zerk Fitting	2
8	P0266	Stem, Valve	2
9	PL4273	Spacer	8
10	Z37003	5/16" Spring Lock Washer	8
11	Z19010	5/16" - 18 x 1-1/2" Hex. Hd. Cap Screw	8
12	PL4277	Brake Hub	2
13	PL4276	Wheel Sheave	4
14	PL4279A	Wheel & Hub Assembly, Pneumatic	2



VARIABLE SPEED AND ENGINE PULLEY

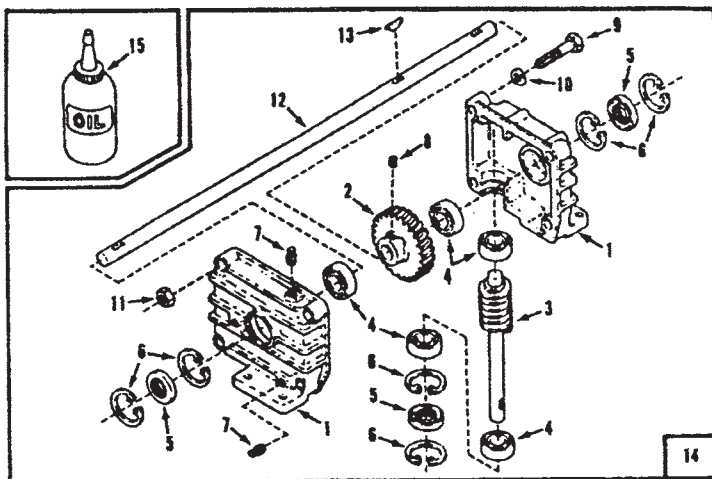
Ref. No.	Part No.	Description	No. Req'd.
1	PL0744	Variable Speed Pulley, All Except JLO	1
	PL0745	Variable Speed Pulley, JLO	1
2	PL0784	Engine Pulley, JLO	1
	PL1246	Engine Pulley, All Except JLO	1
	PL0948	Engine Pulley, All 61"	1
3	PL0485	Key, JLO	1
	PL0490	Key, Briggs & Stratton and Onan	1
	PL0590	Key, Honda and Kawasaki	1
4	Z40003	Set Screw All	2
5	PL0747	Spacer, JLO Only	1
6	PJH1086	Washer, JLO, Kawasaki, and Onan	1
	P2012	Washer, Briggs & Stratton and Honda	1
7	PL0487	M10 Spring Lock Washer, JLO, Kawasaki, and Onan	1
	Z37005	7/16" Spring Lock Washer, B&S & Honda	1
8	PL0484	M10 X 110 Hexagon Head Cap Screw, JLO	1
	ZM24027	M10 X 90 Hexagon Head Cap Screw, Kawasaki and Onan	1
	Z55026	7/16"-20 X 3-1/2" Hexagon Head Cap Screw Briggs & Stratton & Honda	1



LAWN CASTER

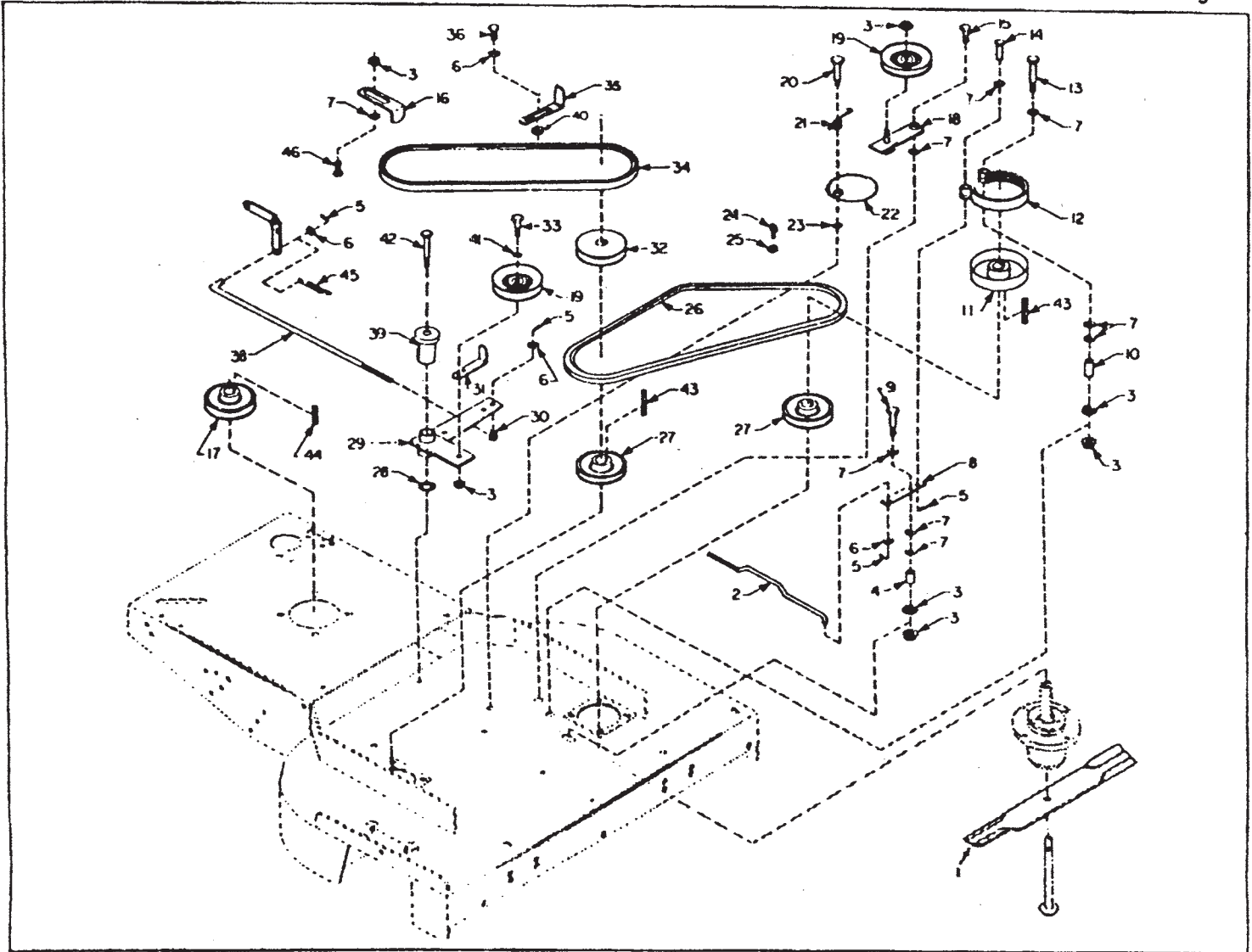
(36", 48" & 52" Mowers)

Ref. No.	Part No.	Description	No. Req'd.
1	PL0457	Caster Support	2
2	Z34010	3/4" Flat Washer	2
3	PL0556AL	Caster Yoke, Left	1
	PL0557AR	Caster Yoke, Right	1
4	PL0642	Wheel Assembly	2
5	P0224	Roller Bearing	2
6	P0228	Retainer	4
7	Z35008	5/8" Machinery Bushing	4
8	Z51004	1/8" X 1-1/4" Cotter Pin	2
9	P0425	Washer, Felt	2
10	PL0417	Spacer, Caster Post	4
11	Z35010	3/4" Machinery Bushing	4
12	Z51027	3/16" X 1-1/2" Cotter Pin	2
13	P0309	Zerk Fitting	4
15	PAL0383AL	Caster Assembly, Left 6 X 2	1
	PAL0385AR	Caster Assembly, Right 6 X 2	1
16	Z30003	5/16"-18 Flange Nut	2
17	Z19005	5/16"-18 X 7/8" Hexagon Head Cap Screw	6
18	Z37003	5/16" Lock Washer	4



REDUCTION GEAR ASSEMBLY

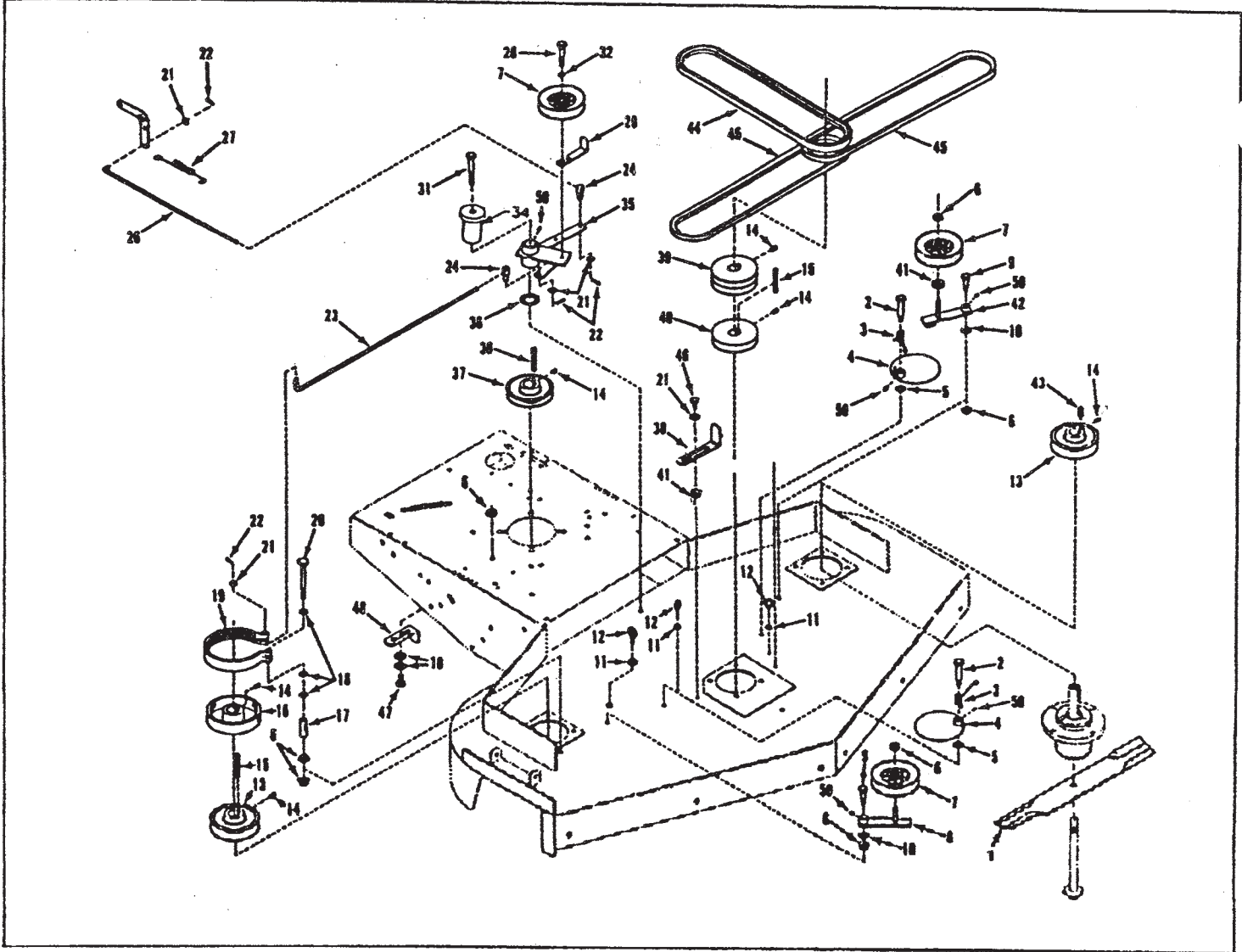
Ref. No.	Part No.	Description	No. Req'd.
1	PAL5967	Housing, Reduction Gear	Set
2	PL5971	Gear	1
3	PL5970	Worm and Input Shaft	1
4	PL4969	Bearing	5
5	PL0081	Oil Seal	3
6	PL0080	Snap Ring	6
7	PL0084	Drain Plug	3
8	Z39002	1/4"-20 X 5/16" Set Screw	1
9	Z19014	5/16"-18 Hexagon Head Cap Screw	4
10	Z37003	5/16" Spring Lock Washer	4
11	Z30103	5/16"-18 Hexagon Head Nut	4
12	PL4972	Output Shaft	1
13	PL0037	3/16" Woodruff Key	1
14	PAL5965	Reduction Gear Assembly	1
15	PGA-10	Oil, Reduction Gear	1



36" BLADE BELT DRIVE SYSTEM

Ref. No.	Part No.	Description	No. Req'd.
1	PL4206	High-Lift Blade, 18", 5/8" Hole	2
2	PL0765	Control Rod, Blade Brake	1
3	Z30004	3/8"-16 Flange Nut	11
4	PL0789	Tube, Spacer, Blade Brake	1
5	Z49001	#13 Hair Pin Coller	4
6	Z34003	5/16" Flat Washer	6
7	Z34004	3/8" Flat Washer	10
8	PL0766	Counter Lever, Blade Brake	1
9	Z24018	3/8"-16 X 2-1/4" Hexagon Head Cap Screw	1
10	PL1105	Spacer, Brake	1
11	PL1107	Hub, Brake	1
12	PL1108	Brake Band	1
13	Z24026	3/8"-16 X 3-1/2" Hexagon Head Cap Screw	1
14	PM118	3/8" X 1-1/2" Clevis Pin	1
15	PL4507	Shoulder Bolt	1
16	PL0779	Belt Guide	2
17	PL1246	Engine Pulley (For 1" Crankshaft)	1
	PL0784	Engine Pulley (For 7/8" Crankshaft)	1
	Z40003	5/16"-18 X 3/8" Socket Head Set Screw	2
18	PL0880A	Arm, Idler	1
	P0309	Zerk Fitting	1
19	PL0786	V-Idler, Pulley	2
20	PC007	Shoulder Bolt	1
21	PL0182	Torsion Spring	1
22	PL0171A	Cam, Belt Tightener	1
	P0309	Zerk Fitting	1
23	Z34006	1/2" Flat Washer	1
24	P0435	Eye Bolt	1
25	Z30002	1/4"-20 Flange Nut	2
26	PL0643	V-Belt, Blade to Blade	1

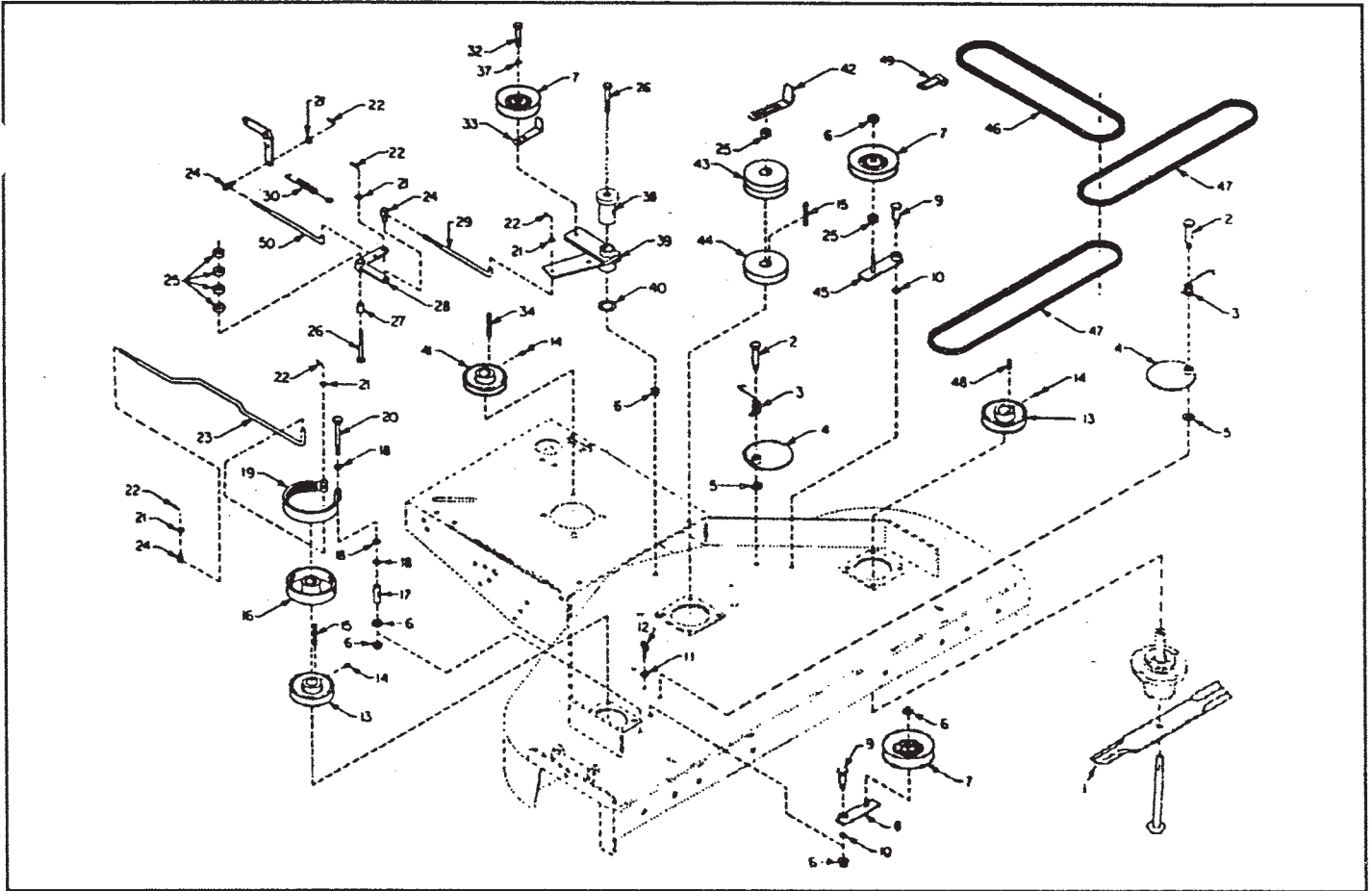
Ref. No.	Part No.	Description	No. Req'd.
27	PL0622	Pulley	2
	Z40003	5/16"-18 X 3/8" Socket Head Set Screw	2
28	Z35014	1" Machinery Bushing	1
29	PL0787A	Idler Arm, Blade Belt	1
30	PL0355	Swivel	2
31	PL0779	Belt Guide	1
32	PL0821	Pulley	1
	Z40003	5/16"-18 X 3/8" Socket Head Set Screw	2
33	Z24010	3/8"-16 X 1-1/2" Hexagon Head Cap Screw	1
34	PL4511	V-Belt (Engine to Blade)	1
35	PL1125	Belt Guide	2
36	Z19010	5/16" - 18 x 1-1/2" Hex. Head Cap Screw	2
	Z30003	5/16"-18 Flange Nut	2
38	PL0305	Control Rod, Blade	1
39	PL0769	Pivot Tube, Idler Arm	1
40	PL0400	Spacer	2
41	Z37004	3/8" Spring Lock Washer	1
42	Z24022	3/8"-16 X 3" Hexagon Head Cap Screw	1
43	PL1198	Key, 1/4" X 1/4" X 2-1/2"	2
44	PL0490	Key, 1/4" X 1/4" X 1-3/4" (For 1" Crankshaft, Briggs & Stratton & Onan)	1
	PL0485	Key, 3/16" X 3/16" X 2" (For 7/8" Crankshaft, JLO)	1
	PL0590	Key, 1/4" X 1/4" X 2" (For 1" Crankshaft, Honda & Kawasaki)	1
45	PL4787	Extension Spring	1
	Z10004	10-24 X 3/4" Round Head Machine Screw	1
	Z30001	10-24 Lock Washer and Nut	2
	Z34001	3/16" Flat Washer	1
46	Z24008	3/8"-18 X 3/4" Hexagon Head Cap Screw	2



48" BLADE BELT DRIVE SYSTEM

Ref. No.	Part No.	Description	No. Req'd.
1	PL4205	High-Lift Blade, 16-1/2", 5/8" Hole	3
2	PC007	Shoulder Bolt	2
3	PL0182	Torsion Spring	2
4	PL0171A	Cam Belt Tightener	2
5	Z34006	1/2" Flat Washer	2
6	Z30004	3/8" Flange Nut	14
7	PL0786	V-Idler Pulley	3
8	PL0880A	Idler Arm	1
9	PL4507	Shoulder Bolt	2
10	Z34004	3/8" Flat Washer	6
11	Z30002	1/4" Flange Nut	6
12	P0435	Eyebolt	3
13	PL0622	Pulley	2
14	Z40003	5/16"-18 X 3/8" Socket Set Screw	10
15	PL1196	1/4" X 1/4" X 2-1/2" Key	2
16	PL1107	Hub, Brake	1
17	Z40003	5/16"-18 X 3/8" Socket Head Set Screw	2
17	PL1105	Spacer, Brake	1
18	Z34004	3/8" Flat Washer	6
19	PL1108	Brake Band	1
20	Z24026	3/8"-16 X 3-1/2" Hexagon Head Cap Screw	1
21	Z34003	5/16" Flat Washer	8
22	Z49001	#13 Hair Pin Cotter	7
23	PL4845	Blade, Brake Rod	1
24	PL0355	Swivel	3
26	PL0955	Blade Control Rod	1
27	PL4787	Extension Spring	1
	Z10004	10-24 X 3/4" Round Head Machine Screw	1
	Z30001	10-24 Lock Washer and Nut	2
	Z34001	3/16" Flat Washer	1

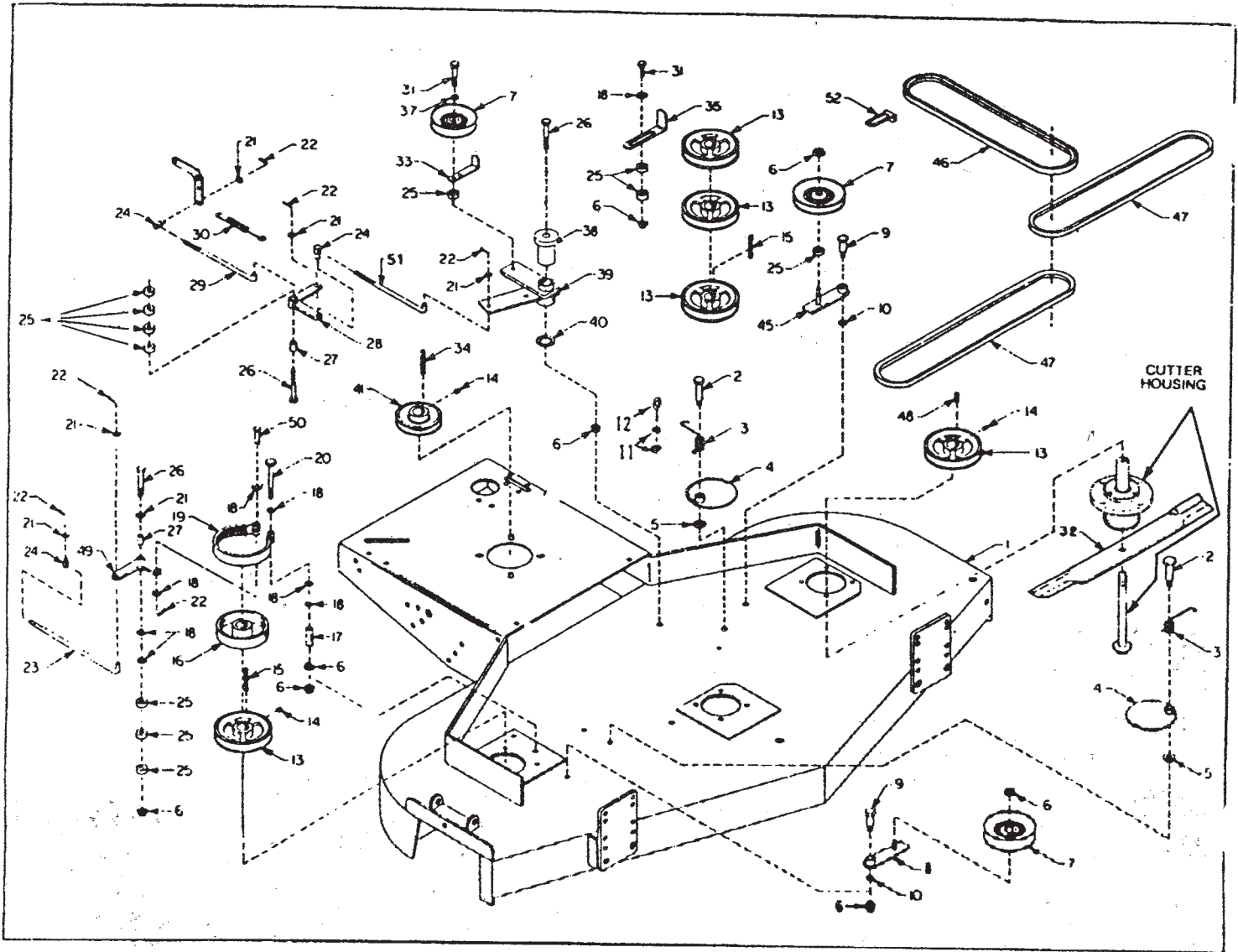
Ref. No.	Part No.	Description	No. Req'd.
28	Z24010	3/8"-16 X 1-1/2" Hexagon Head Cap Screw	1
29	PL0779	Belt Guide	1
30	PL0490	Key, 1/4" X 1/4" X 1-3/4" (For 1" Crankshaft, Briggs & Stratton & Onan)	1
	PL0485	Key, 3/16" X 3/16" X 2" (For 7/8" Crankshaft, JLO)	1
	PL0590	Key, 1/4" x 1/4" X 2" (For 1" Crankshaft, Honda & Kawasaki)	1
31	Z24022	3/8"-16 X 3" Hexagon Head Cap Screw	1
32	Z37004	3/8" Spring Lock Washer	1
34	PL0789	Pivot Tube	1
35	PL4846A	Idler Arm, Blade Engagement	1
36	Z35014	1" Machinery Bushing	1
37	PL1248	Engine Pulley (For 1" Crankshaft)	1
	PL0784	Engine Pulley (For 7/8" Crankshaft)	1
38	PL1125	Belt Guide	2
	Z30003	5/16"-18 Flange Nut	2
39	PL0620	Pulley, Center Spindle	1
40	PL0822	Pulley	1
41	PL0400	Spacer	3
42	PL0880A	Idler Arm	1
43	PL0596	Key	1
44	PL4811	V-Belt, Engine to Blade	1
45	PL4813	V-Belt, Blade to Blade	2
46	Z19010	5/16" - 18 x 1-1/2" Hexagon Head Cap Screw	2
47	Z24004	3/8"-16 X 3/4" Hexagon Head Cap Screw	2
48	PL0779	Belt Guide	2
50	P0309	Zerk Fitting	4



52" BLADE BELT DRIVE

Ref. No.	Part No.	Description	No. Req'd
1	PL4206	High-Lift Blade, 18", 5/8" Hole	3
2	PC007	Shoulder Bolt	2
3	PLO182	Torsion Spring	2
4	PL0171A	Cam, Belt Tightener	2
	P0309	Zerk Fitting	1
5	Z34006	1/2" Washer	2
6	Z30004	3/8" Flange Nut	11
7	PL0786	V-Idler Pulley	3
8	PL0880A	Idler Arm	1
	P0309	Zerk Fitting	1
9	PL4507	Shoulder Bolt	2
10	Z34004	3/8" Flat Washer	2
11	Z30002	1/4" Flange Nut	6
12	P0435	Eyebolt	3
13	PL0622	Pulley	2
14	Z40003	5/16" - 18 x 3/8" Socket Set Screw	10
15	PL1196	1/4" x 1/4" x 2-1/2" Key	2
16	PL1107	Hub, Brake	1
	Z40003	5/16" - 18 x 3/8" Socket Hd. Set Screw	2
17	PL1105	Spacer, Brake	1
18	Z34004	3/8" Flat Washer	3
19	PL1108	Brake Band	1
20	Z24026	3/8" - 16 x 3-1/2" Hex. Hd. Cap Screw	1
21	Z34003	5/16" Flat Washer	6
22	Z49001	#13 Hair Pin	6
23	PL0865	Control Rod, Blade Brake	1
24	PL0355	Swivel	3
25	PL0400	Spacer	7
26	Z24022	3/8" - 16 x 3" Hex. Hd. Cap Screw	2
27	PL0379	Spacer	1
28	PL0370A	Bellcrank	1
29	PL0864	Blade Control Rod	1

Ref. No.	Part No.	Description	No. Req'd
30	PL4787	Extension Spring	1
	Z10004	#10 - 24 x 3/4" Round Hd. Mach. Screw	1
	Z30001	#10 - 24 Lockwasher & Nut	2
	Z34001	3/16" Flat Washer	1
32	Z24010	3/8" - 16 x 1-1/2" Hex. Hd. Cap Screw	1
33	PL0779	Belt Guide	1
34	PL0490	Key, 1/4" x 1/4" x 1-3/4" (For 1" Crankshaft, Briggs & Stratton & Onan)	1
	PL0485	Key, 3/16" x 3/16" x 2" (For 7/8" Crankshaft, JLO)	1
	PL0590	Key, 1/4" x 1/4" x 2" (For 1" Crankshaft, Honda & Kawasaki)	1
37	Z37004	3/8" Spring Lock Washer	1
38	PL0769	Pivot Tube	1
39	PL0867A	Idler Arm, Blade Belt	1
	P0309	Zerk Fitting	1
40	Z35014	1" Machinery Bushing	1
41	PL1246	Engine Pulley (For 1" Crankshaft)	1
	PL0784	Engine Pulley (For 7/8" Crankshaft)	1
42	PL1125	Belt Guide	2
	Z19010	5/16" - 18 x 1-1/2" Hex. Hd. Cap Screw	2
	Z34003	5/16" Flat Washer	2
	Z30003	5/16" - 18 Flange Nut	2
43	PL0620	Pulley, Center Spindle	1
44	PL0822	Pulley	1
45	PL0880A	Idler Arm	1
	P0309	Zerk Fitting	1
46	PL0861	V-Belt, Engine to Blade	1
47	PL0643	V-Belt, Blade to Blade	2
48	PL0596	Key	1
49	PL0779	Belt Guide	2
50	PL1166	Blade Control Rod	1



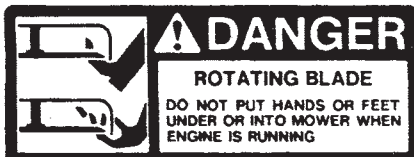
61" BLADE BELT DRIVE SYSTEM

Ref. No.	Part No.	Description	No. Req'd.
1	PL5045AW	Main Frame, 61"	1
2	PC007	Shoulder Bolt	2
3	PL0182	Torsion Spring	2
4	PL0171A	Cam, Belt Tightener	2
	P0309	Zerk Fitting	1
5	Z34006	1/2" Flat Washer	2
6	Z30004	3/8" Flange Nut	12
7	PL0786	V-Idler Pulley	3
8	PL0880A	Idler Arm	1
	P0309	Zerk Fitting	1
9	PL4507	Shoulder Bolt	1
10	Z34004	3/8" Flat Washer	2
11	Z30002	1/4" Flange Nut	4
12	P0435	Eyebolt	2
13	PL0820	Pulley	5
14	Z40003	5/16"-18 X 3/8" Socket Set Screw	10
15	PL1196	1/4" X 1/4" X 2-1/2" Key	2
16	PL1107	Hub, Brake	1
	Z40003	5/16"-18 X 3/8" Socket Head Set Screw	2
17	PL1105	Spacer, Brake	1
18	Z34004	3/8" Flat Washer	8
19	PL1108	Brake Band	1
20	Z24026	3/8"-16 X 3-1/2" Hexagon Head Cap Screw	1
21	Z34003	5/16" Flat Washer	7
22	Z49001	#13 Hair Pin Cotter	7
23	PL0955	Control Rod, Blade Brake	1
24	PL0355	Swivel	3
25	PL0400	Spacer	13
26	Z24022	3/8"-16 X 3" Hexagon Head Cap Screw	2
27	PL0379	Spacer	2
28	PL0370	Bellcrank	1

Ref. No.	Part No.	Description	No. Req'd.
30	PL4787	Extension Spring	1
	Z10004	10-24 X 3/4" Round Head Machine Screw	1
	Z30001	10-24 Lock Washer and Nut	2
	Z34001	3/16" Flat Washer	1
31	Z24010	3/8"-16 X 1-1/2" Hexagon Head Cap Screw	2
32	PL4207	Blade, 21" High Lift, 5/8" Hole	3
33	PL0779	Belt Guide	1
34	PL0490	Key, 1/4" X 1/4" X 1-3/4" (Briggs & Stratton)	1
	PL0590	Key, 1/4" X 1/4" X 2" (Kawasaki)	1
35	PL1125	Belt Guide	2
37	Z37004	3/8" Spring Lock Washer	1
38	PL0769	Pivot Tube	1
39	PL0867A	Idler Arm, Blade Belt	1
	P0309	Zerk Fitting	1
40	Z35014	1" Machinery Bushing	1
41	PL0946	Engine Pulley	1
45	PL0880A	Idler Arm	1
46	PL1361	V-Belt, Engine to Blade	1
47	PM221	V-Belt, Blade to Blade	2
48	PL0596	Key	1
49	PL1470	Bellcrank	1
50	PM118	Clevis Pin	1
51	PL1166	Blade Control Rod	1
52	PL0779	Belt Guide	2
	Z24006	3/8"-16 X 1" Hexagon Head Cap Screw	2
	Z30004	3/8" Flange Nut	2
	Z34004	3/8" Flat Washer	2

DECAL KITS

Kit Number	Description
PT34	36" Self-Propelled Decal Kit
PT35	48" Self-Propelled Decal Kit (Illustrated)
PT36	52" Self-Propelled Decal Kit
PT37	61" Self-Propelled Decal Kit



FORTY-EIGHT



COMMERCIAL MOWERS

