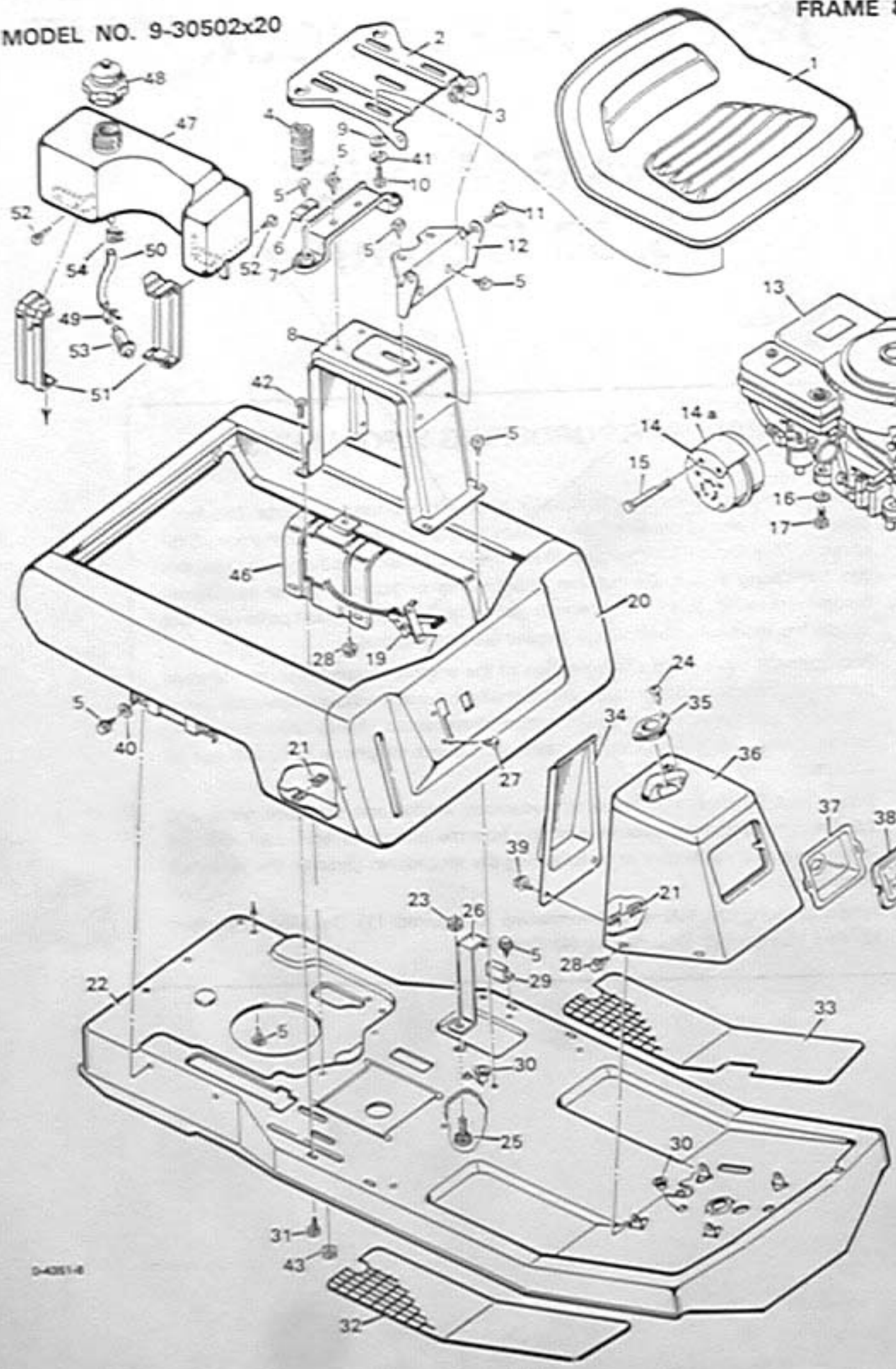


FRAME & BODY MODEL NO. 9-30502x20

FRAME & BODY

MODEL NO. 9-30502x20



KEY NO.	DESCRIPTION	PART NO.	KEY NO.	DESCRIPTION	PART NO.
1	Seat	91450	33	Mat, Left Running Board	56107
2	Seat Mount	55765F200	34	Console Plate	55023F200
3	Locknut, Flange	15x84	35	Bearing, Steering Post	56022
4	Seat Spring	164x17F200	36	Console Assembly, with light *	55932F200
5	Screw	26x49	-	Console Assembly, without light	55931F200
6	Spring Retainer	90014F200	37	Reflector *	90009C
7	Spring Hanger	55062F200	38	Lens *	90082
8	Seat Support	55741F200	39	Screw, Machine	4x24
9	Washer	17x47Z	40	Washer	19x6
10	Hex Bolt	1x45	41	Lockwasher	18x16
11	Shoulder Bolt	9x30	42	Hex Bolt	1x91
12	Seat Hinge	55061F200	43	Locknut, Flange	15x88
13	Engine	+	46	Rear Body Support	55017F200
14	Muffler	90331	47	Tank, Fuel	55805
14a	Heat Shield, Muffler	90333	48	Cap, Fuel	55990
15	Hex Bolt	1x117	49	Clamp, Hose	23713
16	Washer, Shakeproof	19x8	50	Fuel Line	91022
17	Bolt, Engine Mount	25x6	51	Bracket, Tank	55806E701
19	Control & Cable	91102PA	52	Screw	26x213
20	Rear Body Assembly, with light	55678E700	53	Filter	+
-	Rear Body Assembly, without light	55679E700	54	Clamp, Hose	91174
21	Nut, Tinnerman	28x18	-	Assembly Parts Bag	56052
22	Frame Channel	55941F200	-	Instruction Book	F-89512
23	Locknut	15x66	-	Repair Parts Book	F-89513
24	Screw, Tapping	26x201	-	Decal, Console (Front)	58x939
25	Bolt, Carriage	2x67	-	Decal, Console (Right)	43x854
26	Clamp, Battery	55210Z	-	Decal, Console (Left)	43x855
27	Screw, Tapping	26x159	-	Decal, Rear Body (Right)	58x852
28	Screw, Tapping	26x214	-	Decal, Rear Body (Left)	58x853
29	Battery Clip	55149Z			
30	Washing	21268			
31	Bolt, Hex	6x74			
32	Mat, Right Running Board	56106			

+ The engine model, type, and code numbers are on the engine. All parts for the engine are available from a Briggs & Stratton Authorized Service Center. See "Engines, Gasoline" or "Gasoline Engines" in the yellow pages of the telephone directory.

\* Part only used on models with lights.

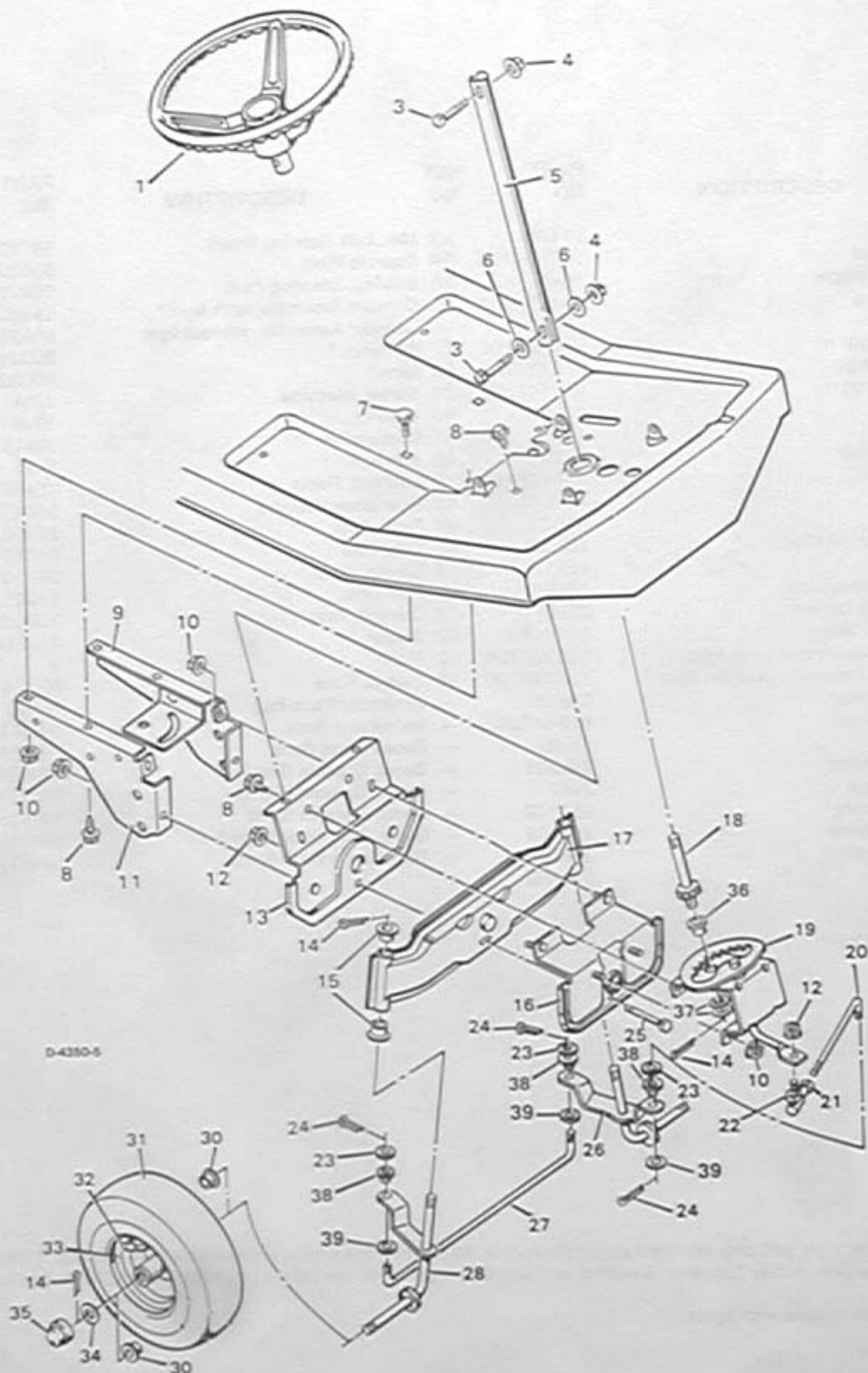
D-4261-4

F-89513

49

F-89513

50

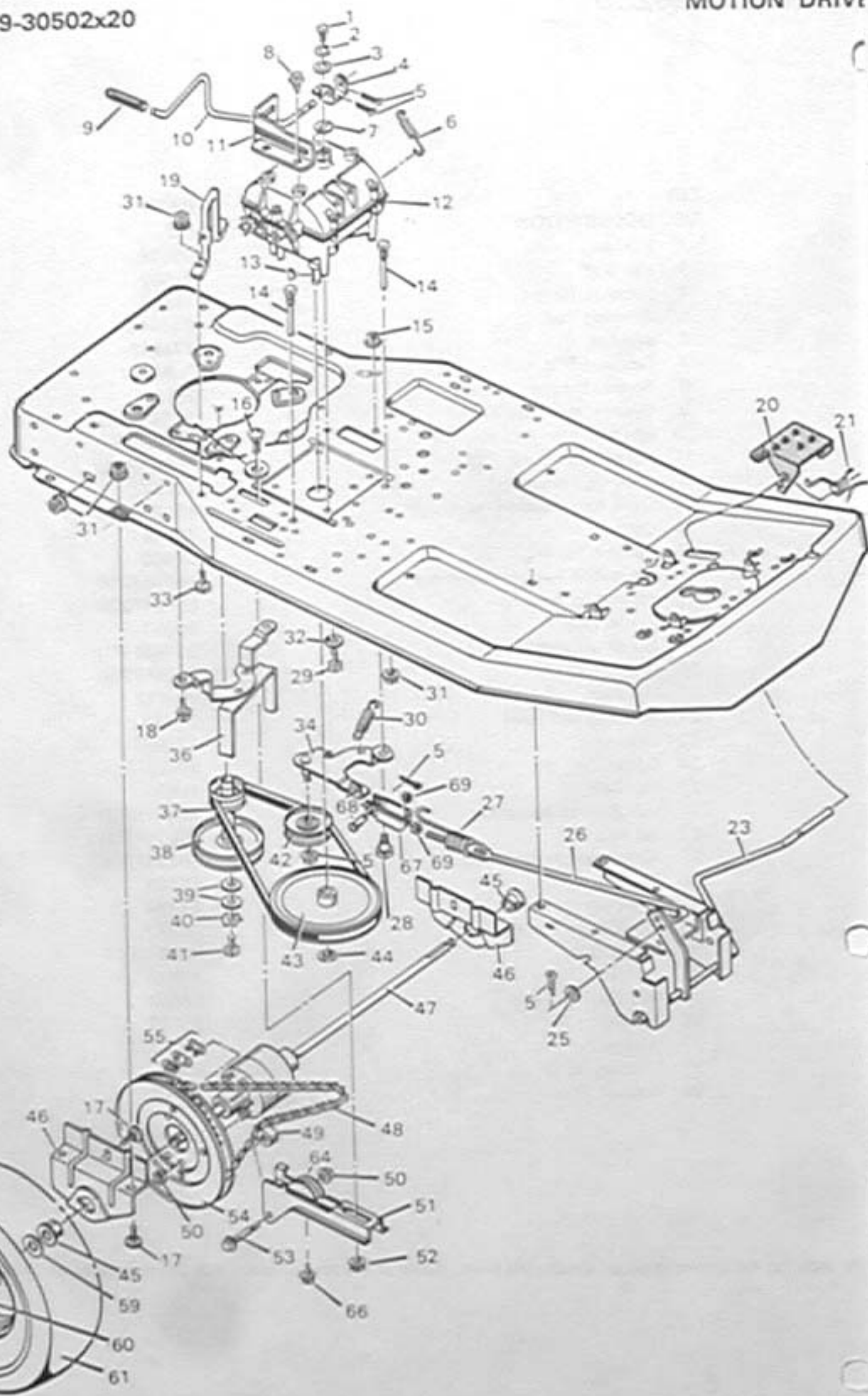


**KEY**  
**NO. DESCRIPTION**

- 1 Steering Wheel
- 3 Hex Bolt
- 4 Locknut, Flange
- 5 Steering Post
- 6 Washer
- 7 Carriage Bolt
- 8 Screw, Tapping
- 9 Suspension Plate, Left
- 10 Hex Nut, Flange
- 11 Suspension Plate, Right
- 12 Locknut, Flange
- 13 Front Axle Support Assembly
- 14 Cotter Pin
- 15 Spindle Bearing
- 16 Front Axle Hanger Assembly
- 17 Front Axle Assembly
- 18 Pinion Gear
- 19 Sector Assembly
- 20 Drag Link
- 21 Hex Nut
- 22 Steering Ball Joint
- 23 Washer
- 24 Cotter Pin
- 25 Hex Bolt
- 26 Left Spindle Assembly
- 27 Tie Rod
- 28 Right Spindle Assembly
- 30 Bearing
- 31 Tire Only \*
- 32 Valve Stem & Cap
- 33 Wheel Only
- 34 Washer
- 35 Hub Cap, Optional
- 36 Bearing
- 37 Washer
- 38 Bushing, Nylon
- 39 Washer, Cup

- PART NO.**
- 90576
  - 1x102
  - 15x88
  - 91444C
  - 17x47Z
  - 2x64
  - 26x49
  - 55384F200
  - 15x79Z
  - 56023F200
  - 15x87Z
  - 55937F200
  - 30x49
  - 55003
  - 55855F200
  - 55024F200
  - 56057
  - 55746F200
  - 55046F200
  - 15x61Z
  - 21031
  - 17x53Z
  - 30x20
  - 1x69
  - 55381F200
  - 55026F200
  - 55380F200
  - 56108
  - 24394
  - 24373
  - 91637E804
  - 24583
  - 24582
  - 55168
  - 17x100Z
  - 55547
  - 17x161

placement parts, specify the brand name of the tire to insure that tread patterns on the tire match.



D-4347-11

KEY  
NO. DESCRIPTION

- 1 Hex Bolt
- 2 Spring Lockwasher
- 3 Washer
- 4 Transmission Yoke
- 5 Cotter Pin
- 6 Extension Spring, Brake Return
- 7 Washer
- 8 Screw, Tapping
- 9 Grip
- 10 Shift Lever
- 11 Transmission Gate
- 12 Transmission, Peerless 708C
- 13 Woodruff Key #9
- 14 Guide Screw
- 15 Locknut, Flange
- 16 Carriage Bolt
- 17 Carriage Bolt
- 18 Screw, Tapping
- 19 Chain Clamp
- 20 Pedal, Clutch/Brake
- 21 Torsional Spring, Pedal
- 23 Lever Assembly, Brake/Clutch
- 24 Washer
- 25 Washer
- 26 Rod, Brake/Clutch
- 27 Extension Spring, Brake
- 28 Shoulder Bolt
- 29 Hex Bolt
- 30 Extension Spring, Clutch
- 31 Hex Nut, Flange
- 32 Lockwasher
- 33 Hex Bolt
- 34 Idler Arm Assembly

PART  
NO.

- 1x82
- 18x32
- 17x37Z
- 55710Z
- 30x20
- 165x28
- 17x134
- 26x207
- 55321
- 55740Z
- 55263Z
- +
- 20697
- 20619
- 15x84
- 2x56
- 2x53Z
- 26x49
- 23553Z
- 55395E701
- 166x18
- 55656F200
- 17x67Z
- 17x47Z
- 55495Z
- 165x42
- 9x30
- 1x91
- 165x39
- 15x79Z
- 18x15
- 1x45
- 55067Z

KEY  
NO. DESCRIPTION

- 36 Belt Guide Assembly
- 37 Drive Belt, Traction
- 38 Stack Pulley Assembly
- 39 Washer
- 40 Washer
- 41 Hex Bolt
- 42 Idler Pulley
- 43 Pulley, Transmission
- 44 Retainer Ring
- 45 Axle Bearing, Flange
- 46 Bracket, Rear Axle
- 47 Differential, Peerless 100-055
- 48 Roller Chain
- 49 Roller \*\*
- 50 Locknut, Flange\*\*
- 51 Chain Adjustment Bracket
- 52 Hex Nut, Flange
- 53 Shoulder Bolt \*\*
- 54 Sprocket & Chain Guard, 50 Tooth
- 55 Connecting Link
- 56 Key, Square
- 58 E-Ring
- 59 Washer
- 60 Valve Stem & Cap
- 61 Tire Only \*
- 62 Wheel Only
- 64 Guide Block \*\*
- 66 Screw, Tapping \*\*
- 67 Clevis
- 68 Clevis Pin
- 69 Hex Nut
- 70 Hub Caps, Optional

PART  
NO.

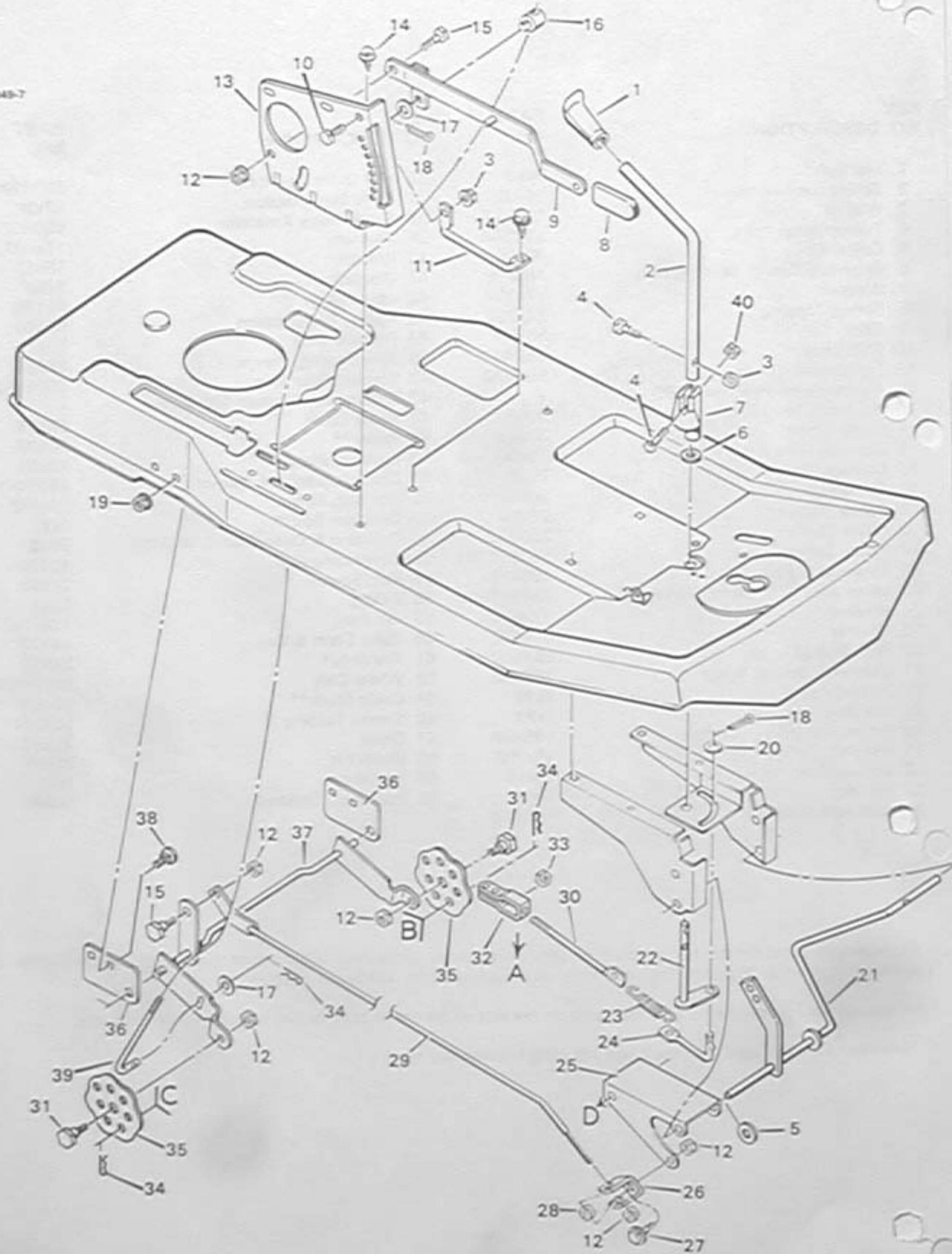
- 55983Z
- 37x38
- 55960Z
- 17x103
- 19x35
- 1x80
- 91178
- 55101
- 11x7
- 55597
- 55065F200
- +
- 55115
- 90176
- 15x88
- 55194F200
- 15x68Z
- 9x22
- 55621
- 407059
- 21553
- 11x3
- 17x115Z
- 24373
- 24393
- 91626E804
- 23403
- 26x214
- 21915Z
- 29x99
- 15x2
- 24582

+ Replacement parts for the transmission or differential are available from a Tecumseh Authorized Service Center. See "Engines, Gasoline" or "Gasoline Engines" in the yellow pages of the telephone directory.

\* For replacement parts, always give the name on the side of the tire so that the tire pattern will be the same.

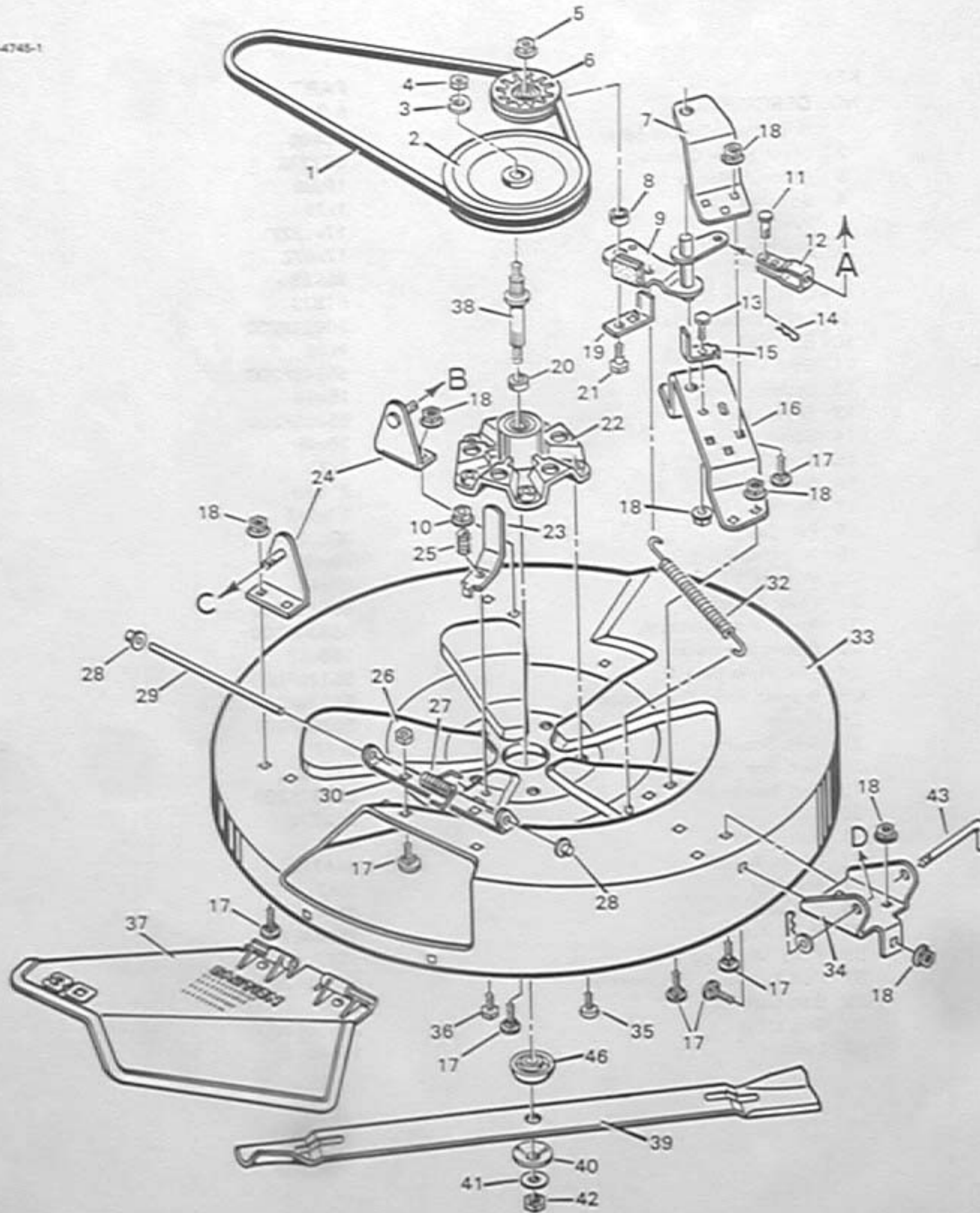
\*\* These parts are included with the chain adjusting bracket, key no. 51.

D-4349-7



KEY NO.	DESCRIPTION	PART NO.
1	Grip, Blade Control Lever	55449
2	Lever, Blade Control	55927Z
3	Locknut, Flange	15x89
4	Bolt, Hex	1x76
5	Washer	17x122Z
6	Washer	17x67Z
7	Cam, PTO	55853
8	Grip, Lifter	91573
9	Lever Assembly, Lifter	56031F200
10	Bolt, Hex	1x38
11	Strut	55348F200
12	Locknut, Flange	15x84
13	Plate, Index	55365F200
14	Screw	26x49
15	Bolt, Shoulder	9x9Z
16	Nut, Adjuster	21920
17	Washer	17x53Z
18	Pin, Cotter	30x20
19	Nut, Hex Flange	15x88
20	Washer	17x48
21	Lever Assembly	55656F200
22	Rod & Arm Assembly	55930F200
23	Spring, Extension	165x67
24	Link, Front Deck	55179F200
25	Bracket, Front Suspension	55139F200
26	Clevis	55298F200
27	Bolt, Shoulder	9x17
28	Nut, Hex Jam	15x73
29	Rod Assembly	55957F200
30	Link	55271Z
31	Bolt, Shoulder	9x4
32	Clevis, Adjuster	24471Z
33	Nut, Hex	15x2
34	Hairpin	31x4
35	Plate, Adjuster	55344E701
36	Plate, Mounting	55270F200
37	Rod Assembly, Suspension	55346F200
38	Bolt, Carriage	2x64
39	Rod, Lifter	24839F200
40	Locknut	15x66

D-4745-1



KEY

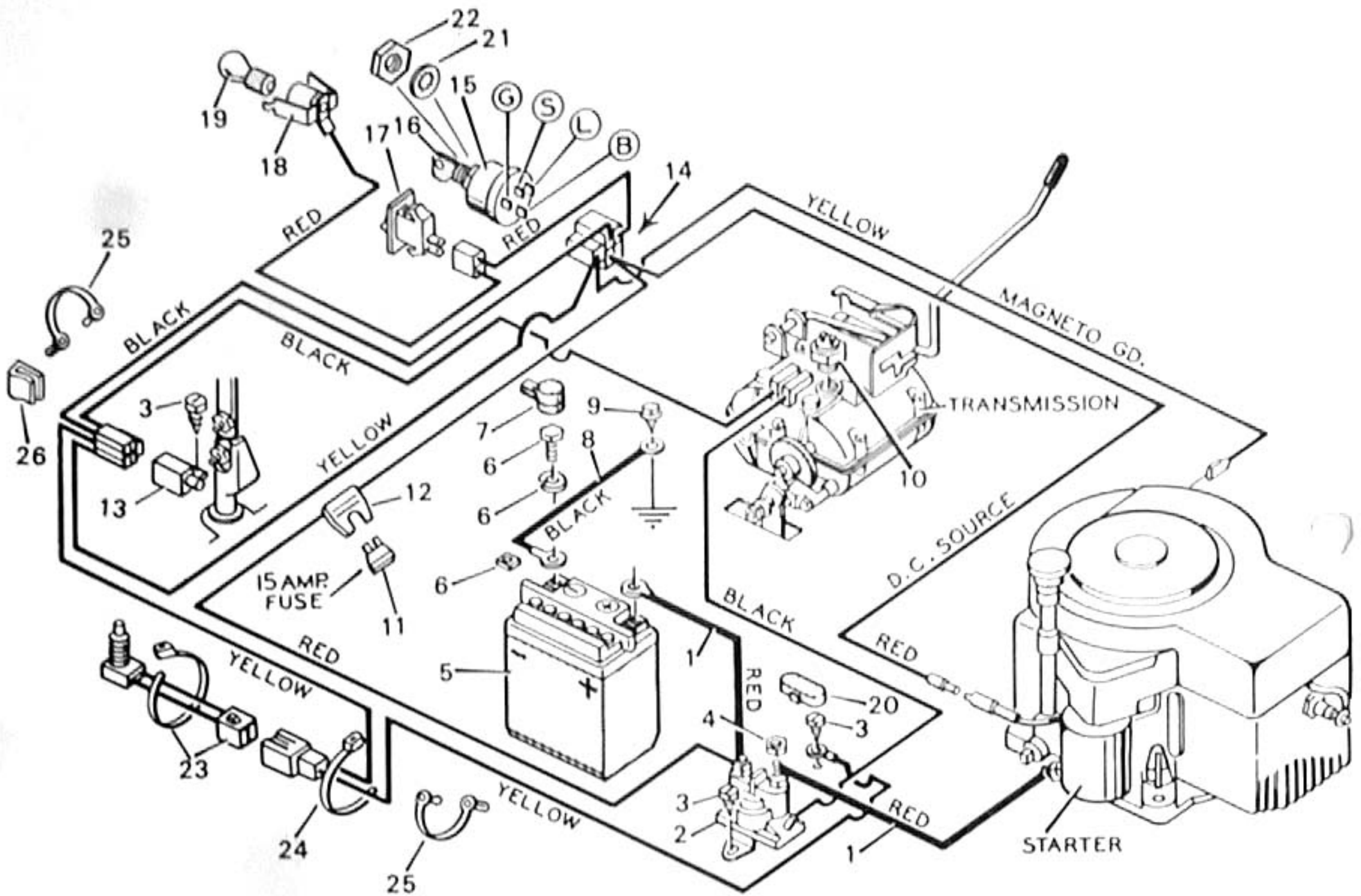
NO. DESCRIPTION

- 1 Belt, Mower Drive
- 2 Pulley, Splined
- 3 Lockwasher
- 4 Locknut
- 5 Nut, Hex
- 6 Pulley, Idler
- 7 Bracket, Upper Idler
- 8 Spacer
- 9 Assembly, Blade Idler
- 10 Locknut, Flange
- 11 Pin, Clevis
- 12 Clevis
- 13 Bolt, Hex
- 14 Pin, Hair
- 15 Guide, Belt
- 16 Bracket, Lower Idler
- 17 Bolt, Carriage
- 18 Nut, Flange
- 19 Guide, Belt
- 20 Spacer
- 21 Bolt, Hex
- 22 Housing, Mandrel
- 23 Guide, Belt
- 24 Bracket, Hanger
- 25 Spring, Compression
- 26 Nut, Hex
- 27 Spring, Torsional
- 28 Push On Cap
- 29 Rod
- 30 Hinge, Chute Deflector
- 32 Spring, Extension
- 33 Housing, Blade \*
- 34 Bracket, Front
- 35 Screw
- 36 Bolt, Hex
- 37 Deflector, Chute
- 38 Mandrel
- 39 Blade
- 40 Washer, Belleville
- 41 Washer, Hardened
- 42 Nut, Hex
- 43 Pin, Pull
- 44 Washer
- 45 Pin, Hair
- 46 Adapter, Blade
- 1-46 Mower Housing, Complete

PART  
NO.

- 37x57
- 91951
- 18x33
- 15x101
- 15x41
- 91178
- 55921E701
- 55895
- 55979E701
- 15x88
- 29x99
- 24471Z
- 1x45
- 31x6
- 55977E701
- 55920E701
- 2x53Z
- 15x79Z
- 55894E701
- 91925
- 1x127
- 55962E701
- 55956Z
- 55974E701
- 164x1
- 15x43Z
- 166x4
- 28x23
- 21197Z
- 55963E701
- 165x68
- 55916E701
- 26x216
- 1x75
- 55971
- 91921
- 56060HT
- 17x166
- 17x165
- 15x100
- 90828Z
- 17x67Z
- 31x4
- 91926
- 403224

\* Included with key number 1-46.



D-4346-8

**KEY**  
**NO. DESCRIPTION**

- 1 Cable, Battery
- 2 Solenoid
- 3 Screw
- 4 Nut, Locknut
- 5 Battery Type 12N14-3A
- Electrolyte (Battery Acid)
- 6 Hardware, Battery
- 7 Cover, Battery Terminal
- 8 Cable, Ground Battery
- 9 Screw
- 10 Limit Switch, Transmission
- 11 Fuse, 15 AMP
- 13 Limit Switch
- 14 Wiring Harness, with light
- Wiring Harness, without light

- PART NO.**
- 24x12
- 24285
- 26x233
- 15x66
- 23581
- 55320
- 402012
- 24196
- 24x9
- 26x49
- 23479
- 54212
- 91032
- 250x5
- 250x6

**KEY**  
**NO. DESCRIPTION**

- 15 Switch
- 16 Key Only
- 17 Light Switch +
- 18 Light Socket +
- 19 Light Bulb +
- 20 Solenoid Cap
- 21 Washer, Shakeproof
- 22 Nut, Hex
- 23 Switch, Seat Sensor
- 24 Tie Strap
- 25 Clamp, Wire
- 26 Clip, Wire Adhesive

- PART NO.**
- 21C
- 20723
- 90647
- 90155
- 90084
- 56049
- 19x40
- 15x105
- S91031
- 32618
- 21980
- 55939

+ Part only used on models with lights.