



# Parts Manual

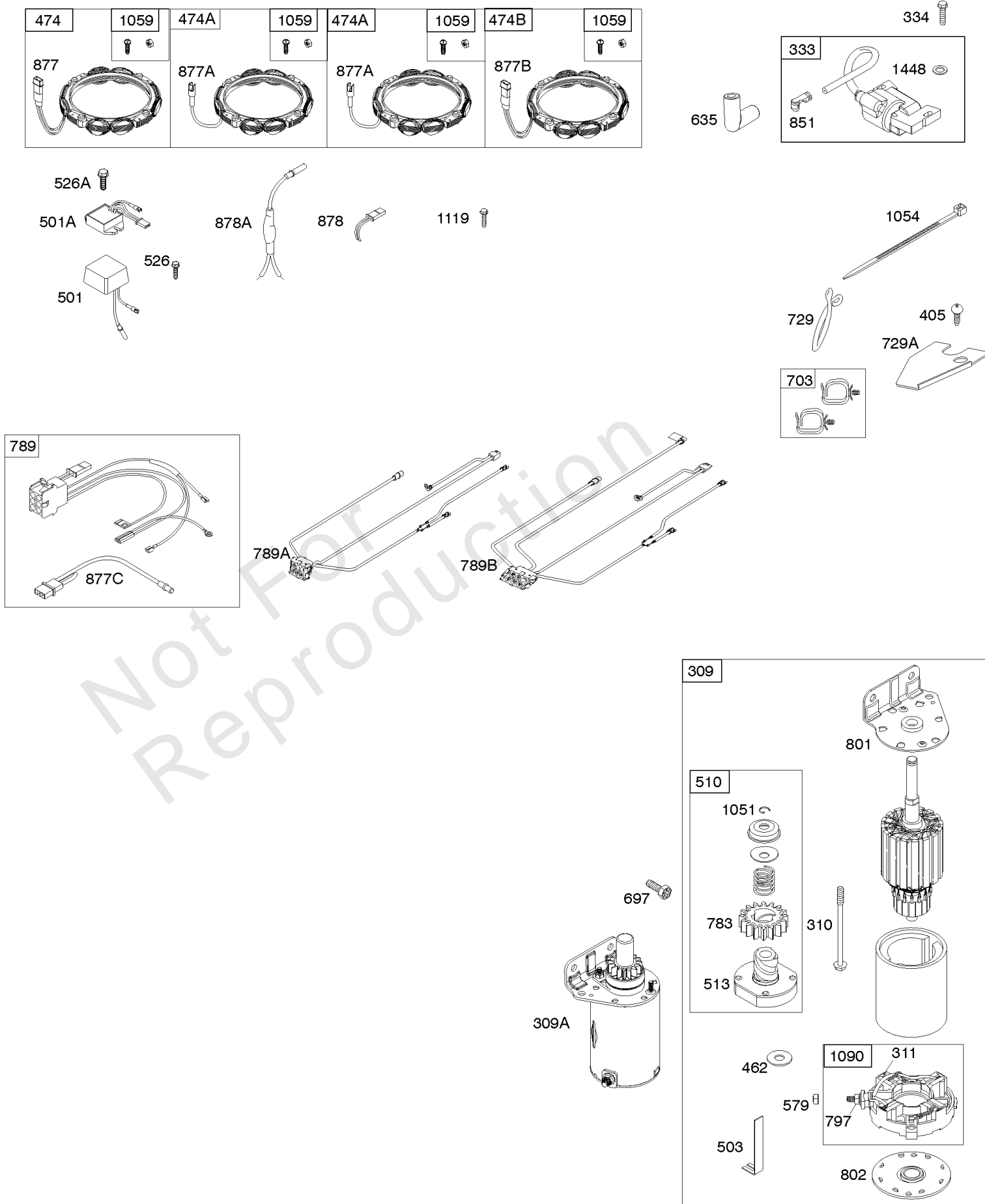
Mfg. No: 405577-0131-B1



---

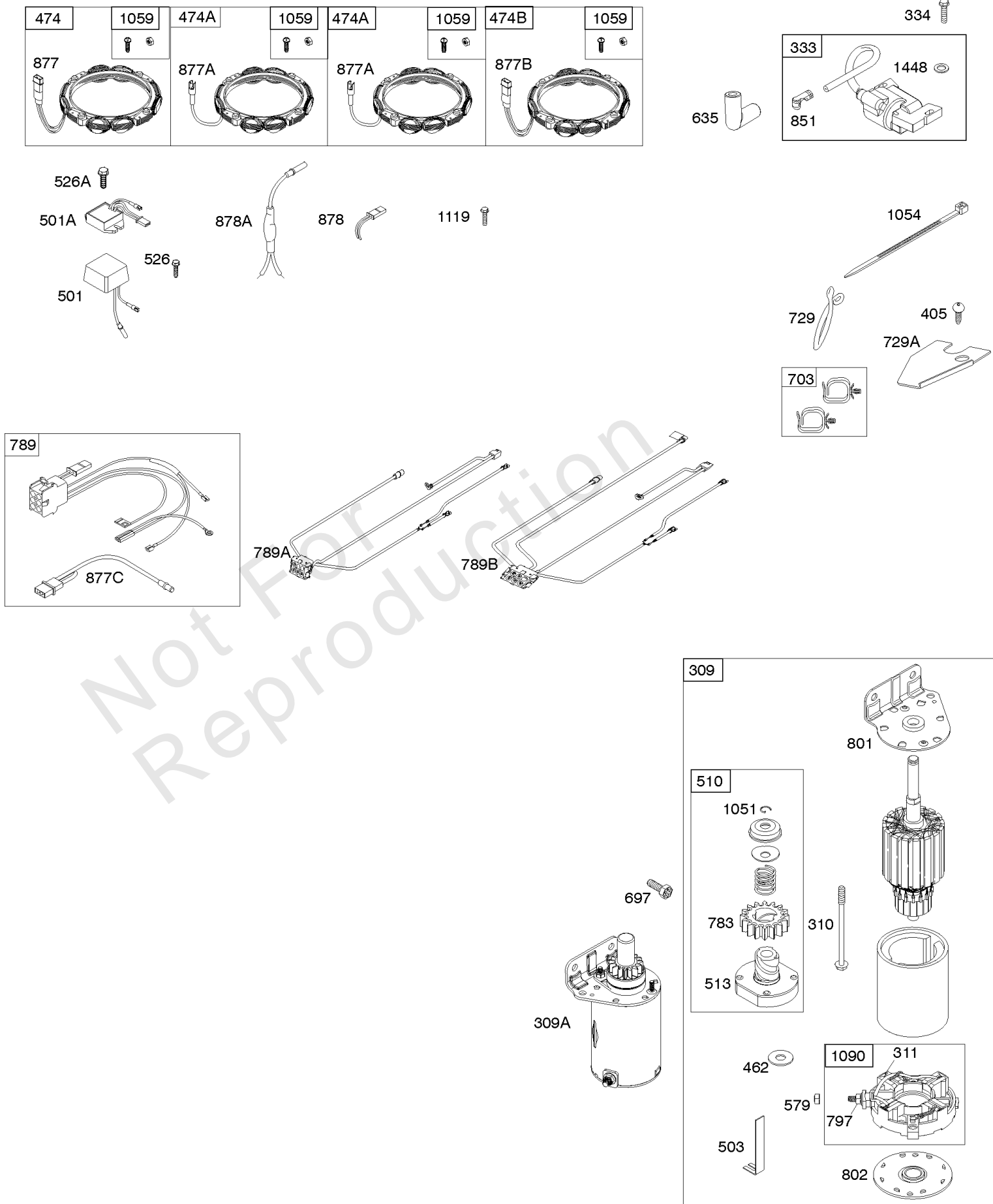
<b>Model Components</b>	<b>Page</b>
Alternator, Wire Harness, Starter, Ignition.....	4
Blower Housing, Air Cleaner, Muffler.....	8
Carburetor, Fuel Supply.....	10
Cylinder Head, Rocker Arm Cover, Intake Manifold.....	14
Cylinder, Crankshaft, Camshaft, Air Guides, Piston, Rings, Connecting Rod.....	18
Engine Sump, Oil Pump, Dipstick/Tube Assembly.....	22
Engine/Valve Gasket Set, Carburetor Overhaul Kit.....	26
Flywheel, Controls.....	28
Replacement Engine - US & Canada.....	30

Not For  
Reproduction



## Alternator, Wire Harness, Starter, Ignition

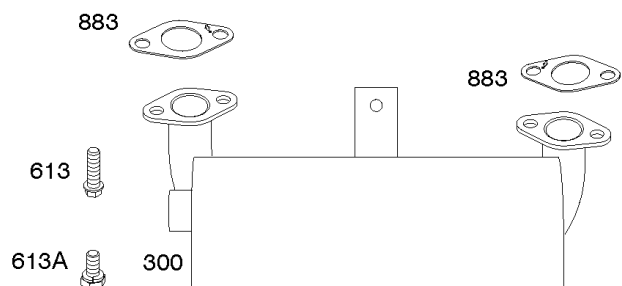
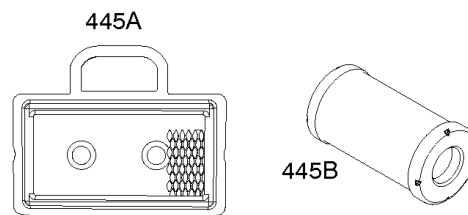
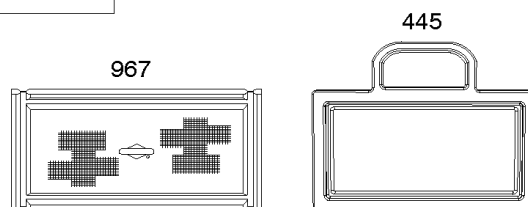
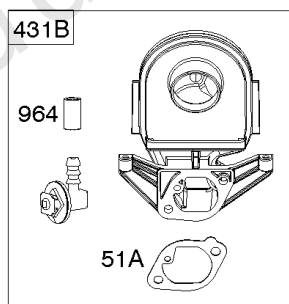
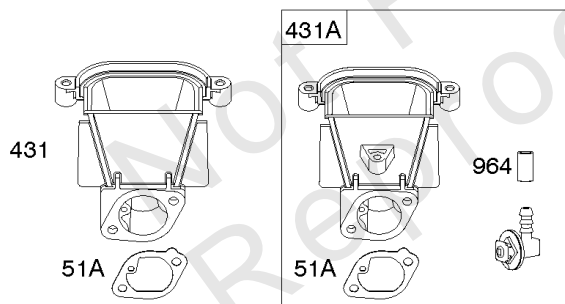
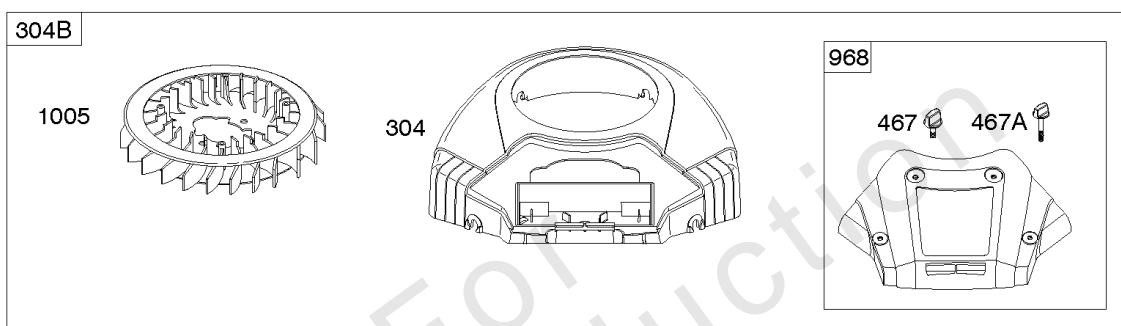
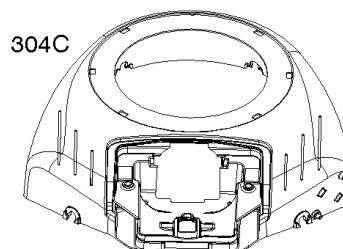
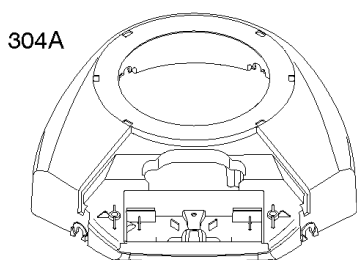
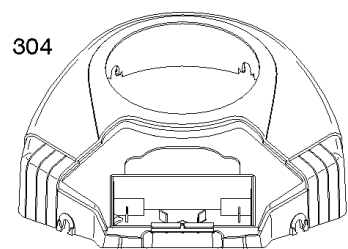
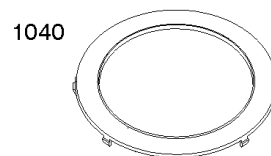
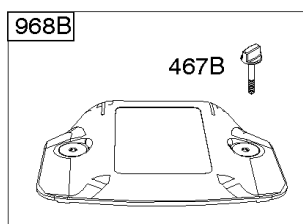
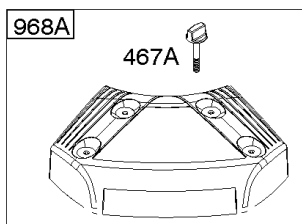
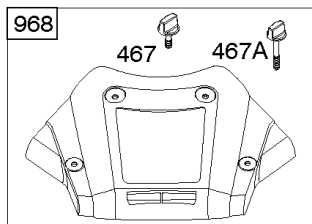
REF NO	PART NO	QTY	DESCRIPTION
309	497595		MOTOR, Starter -(3 5/8) (Plastic Ring Gear)
310	691263		BOLT -(Starter Motor) (4 3/8 Housing)
311	497608		SET, Brush
333	799651		ARMATURE, Magneto
334	691061		SCREW -(Magneto Armature)
405	697820		SCREW -(Back Plate)
462	691261		WASHER -(Starter Cable)
474A	592829		ALTERNATOR -(Tri Circuit Or 5/9 Amp. Regulated)
474A	696457		ALTERNATOR -(Tri Circuit Or 5/9 Amp. Regulated)
501	794360		REGULATOR -(5/9 Amp. Regulated)
501A	797375		REGULATOR -(10 and 16 Amp Regulated)
503	691532		STRAP, Starter
510	696541		DRIVE, Starter
513	692024		CLUTCH, Drive
526	691129		SCREW -(Regulator) (5/9 Amp. Regulated)
526A	691108		SCREW -(Regulator) (10-16 Amp Regulated)
579	691029		NUT -(Starter Cable)
635	66538S		BOOT, Spark Plug
697	591909		SCREW -(Drive Cap)
703	691010		CLIP
729	694123		CLIP, Wire
729A	797454		CLIP, Wire
783	695708		GEAR, Pinion
789	698330		HARNESS, Wiring -(6 Pin, #2 Side Regulator. Without EFM. Wire Assembly Includes Green Oil Pressure Switch Wire. Remove If Not Needed. Service Kit Includes Red Regulator To 2 Pin Jumper Wire.)
789A	797424		HARNESS, Wiring -(6 Pin, #1 Side Regulator. Without EFM. Without Oil Pressure Switch.) -Used Before Code Date 12042300
789A	591392		HARNESS, Wiring -(6 Pin, #1 Side Regulator. Without EFM. Without Oil Pressure Switch.) -Used After Code Date 12042200
789B	797460		HARNESS, Wiring -(6 Pin, #1 Side Regulator. Without EFM. Without Oil Pressure Switch. Wire Assembly Includes Green Oil Pressure Switch Wire.) -Used Before Code Date 12042300
789B	591393		HARNESS, Wiring -(6 Pin, #1 Side Regulator. Without EFM. Without Oil Pressure Switch. Wire Assembly Includes Green Oil Pressure Switch Wire.) -Used After Code Date 12042200
797	693167		NUT -(Brush Retainer)
801	691283		CAP, Drive
802	691286		CAP, End
851	493880S		TERMINAL, Spark Plug



## Alternator, Wire Harness, Starter, Ignition

REF NO	PART NO	QTY	DESCRIPTION
877	393456		WIRE/CONNECTOR, Alternator
877A	393537		WIRE/CONNECTOR, Alternator -(Tri Circuit) (9 Amp)
877B	399916		WIRE/CONNECTOR, Alternator
877C	790544		WIRE/CONNECTOR, Alternator
878	398661		HARNESS, Wiring
878A	691955		HARNESS, Alternator
1051	691265		RING, Retaining
1054	280275		TIE, Cable
1059	698516		KIT, Screw/Washer
1090	691293		RETAINER, Brush
1119	691183		SCREW -(Alternator)
1448	690260		WASHER -(Magneto Armature)

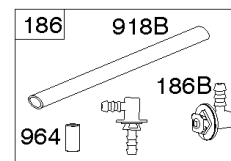
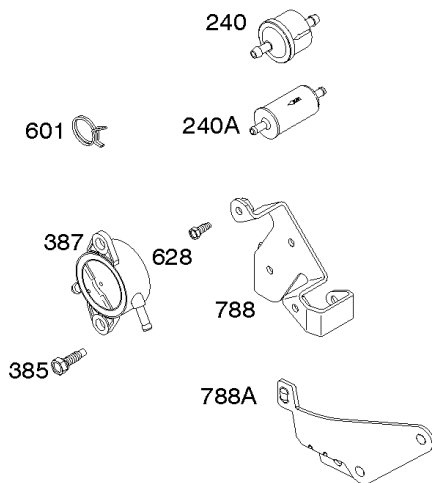
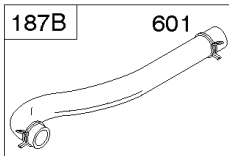
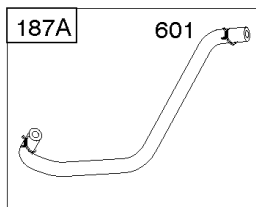
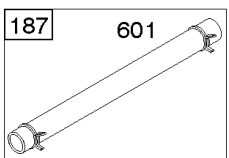
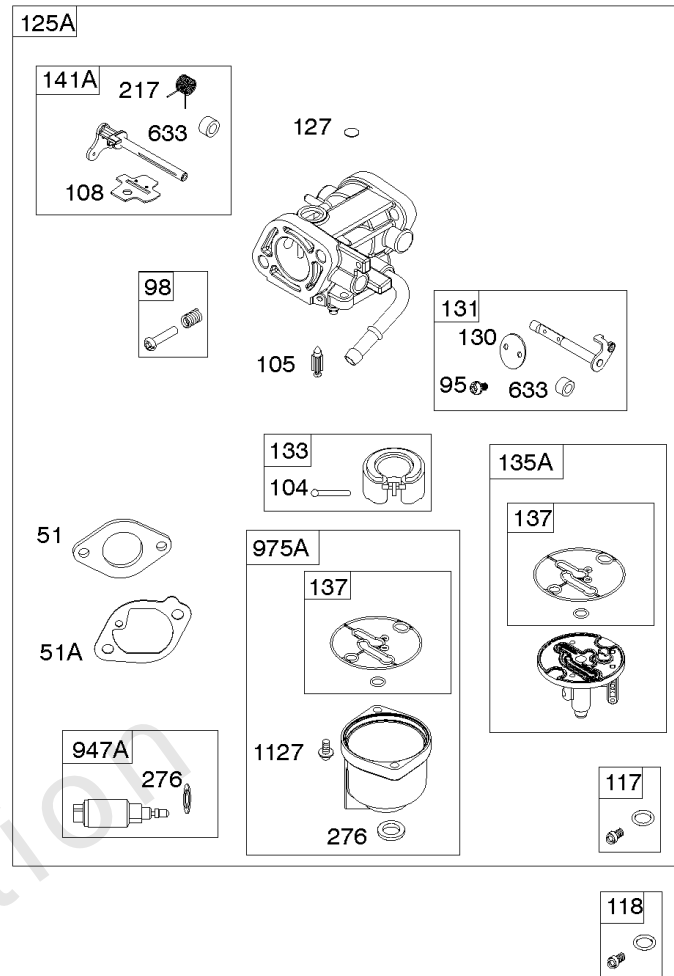
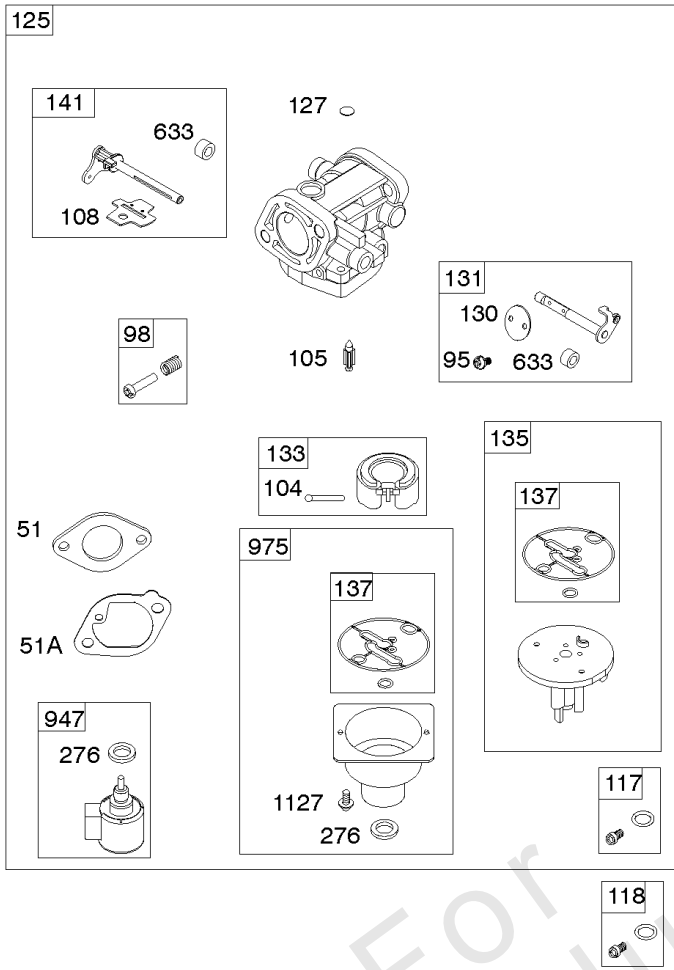
Not For Reproduction





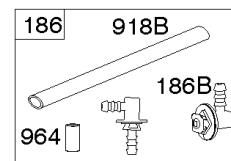
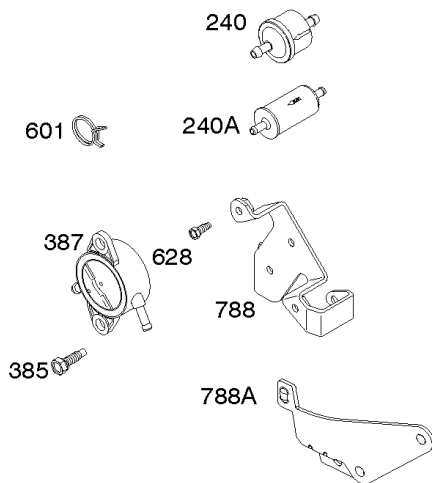
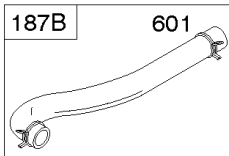
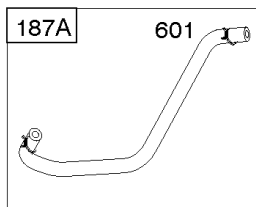
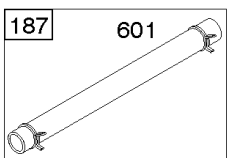
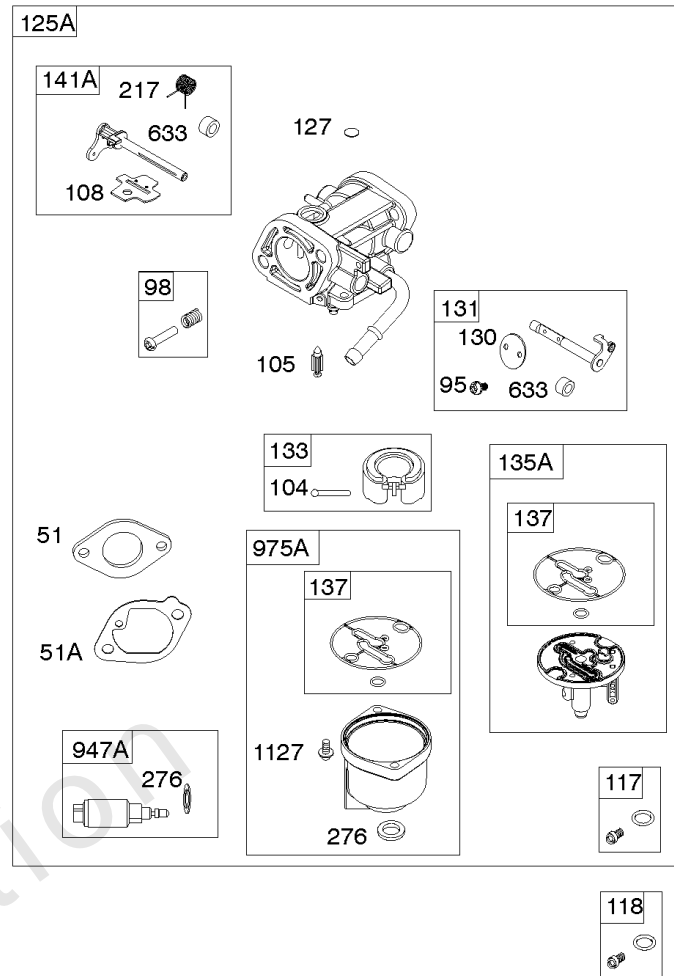
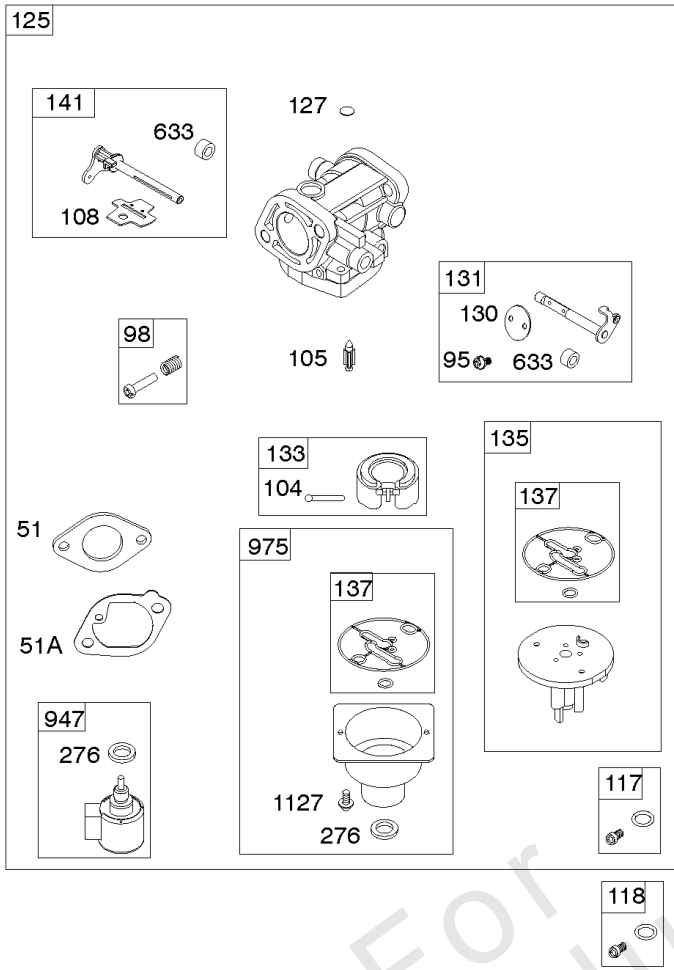
## Blower Housing, Air Cleaner, Muffler

REF NO	PART NO	QTY	DESCRIPTION
51A	699800		GASKET, Intake
304C	591656		HOUSING, Blower -(Black-Compatible With Canister Style Filter)
305	691005		SCREW -(Blower Housing)
305A	790690		SCREW -(Blower Housing) (Blower Housing To Intake Elbow)
431B	591662		ELBOW, Intake -(EVAP)
445B	591334		FILTER, A/C Cartridge -(Canister)
467	790697		KNOB, Air Cleaner Cover -(1" Long)
467A	691008		KNOB, Air Cleaner Cover -(1 1/2 )
467B	591660		KNOB, Air Cleaner Cover -(7/8" Long)
613	690341		SCREW -(Muffler)
613A	690297		SCREW -(Muffler)
883	690970		GASKET, Exhaust
964	799159		CAP, Connector
967	273638S		FILTER, Pre Cleaner
968B	591658		COVER, Air Cleaner -(Black-Compatible With Canister Style Filter)
1005	499603		FAN, Flywheel -Used Before Code Date 04072000
1005	790698		FAN, Flywheel -Used After Code Date 04071900 -Used Before Code Date 06103000
1005	791236		FAN, Flywheel -Used After Code Date 06102900
1040	791237		PLATE, Trim



## Carburetor, Fuel Supply

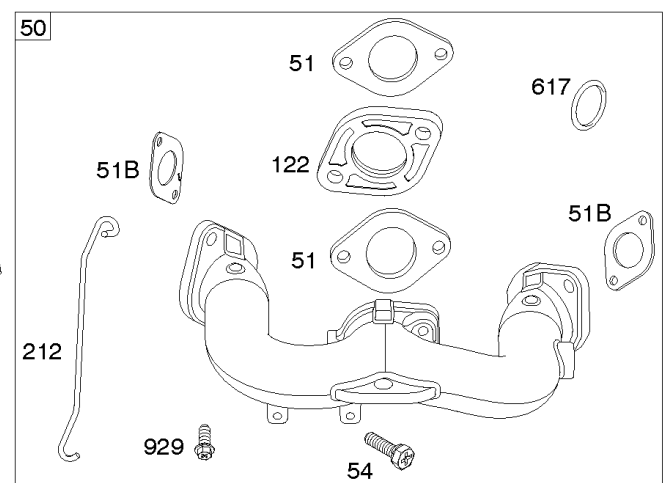
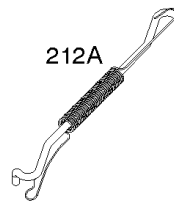
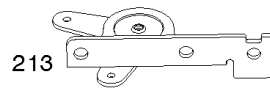
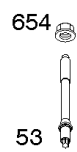
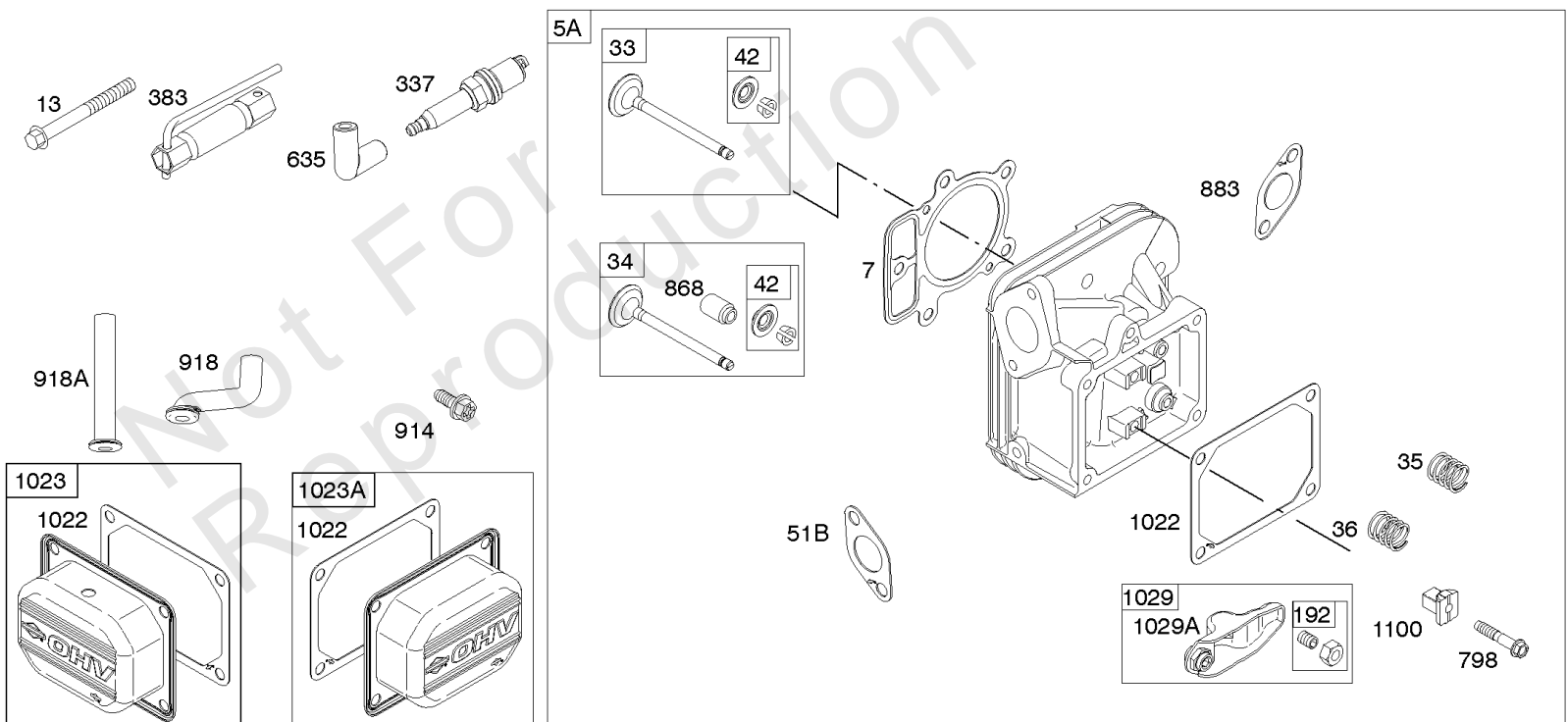
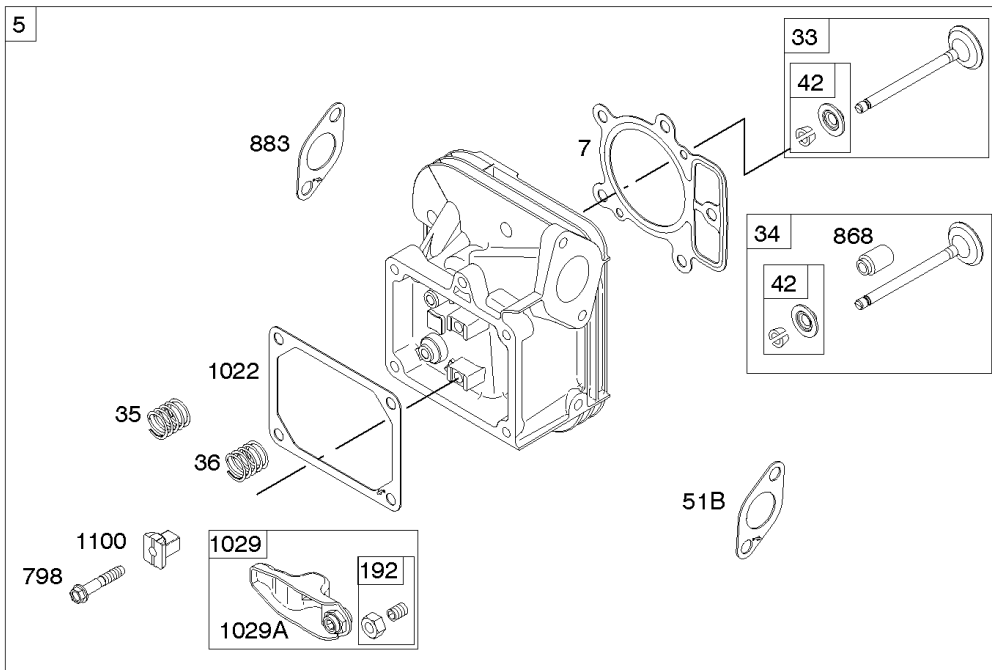
REF NO	PART NO	QTY	DESCRIPTION
51	699803		GASKET, Intake
51A	699800		GASKET, Intake
95	690718		SCREW -(Throttle Valve)
98	699721		KIT, Idle Speed
104	694918		PIN, Float Hinge
105	698537		VALVE, Float Needle
108	699808		VALVE, Choke
117	791406		JET, Main -(Standard)
118	699820		JET, Main -(High Altitude)
125A	591678		CARBURETOR
127	699810		PLUG, Welch
130	699809		VALVE, Throttle
131	699812		KIT, Throttle Shaft
133	694914		FLOAT, Carburetor
135A	591701		TUBE, Fuel Transfer
137	698781		GASKET, Float Bowl
141A	591700		KIT, Choke Shaft
186	799158		CONNECTOR, Hose -(EVAP)
186B	845141		CONNECTOR, Hose -(EVAP)
187	791766		LINE, Fuel -(Cut To Required Length)
187A	791872		LINE, Fuel -(Formed Hose)
187B	791744		LINE, Fuel -(Formed)(Cut To Required Length)
217	799771		SPRING, Choke Return
240	84001895		FILTER, Fuel -(Includes Paper Element With A 40 Micron Rating)
240A	695666		FILTER, Fuel -(Includes Paper Element With A 30 Micron Rating)
276	695410		WASHER, Sealing
385	691108		SCREW -(Fuel Pump) (Fuel Pump Mounted To Fuel Pump Bracket)
385	797409		SCREW -(Fuel Pump) (Fuel Pump Mounted To Blower Housing)
387	808656		PUMP, Fuel
601	691038		CLAMP, Hose -(Black)
601	791850		CLAMP, Hose -(Green)
628	691108		SCREW -(Fuel Pump Bracket) -Used Before Code Date 06072800
633	699813		SEAL, Choke/Throttle Shaft
788	691039		BRACKET, Fuel Pump -Used Before Code Date 06072800
788A	793145		BRACKET, Fuel Pump -Used After Code Date 06072700
918B	799160		HOSE, Vacuum -(Length 9.4 Inches)
947A	845654		SOLENOID, Fuel
964	799159		CAP, Connector



## Carburetor, Fuel Supply

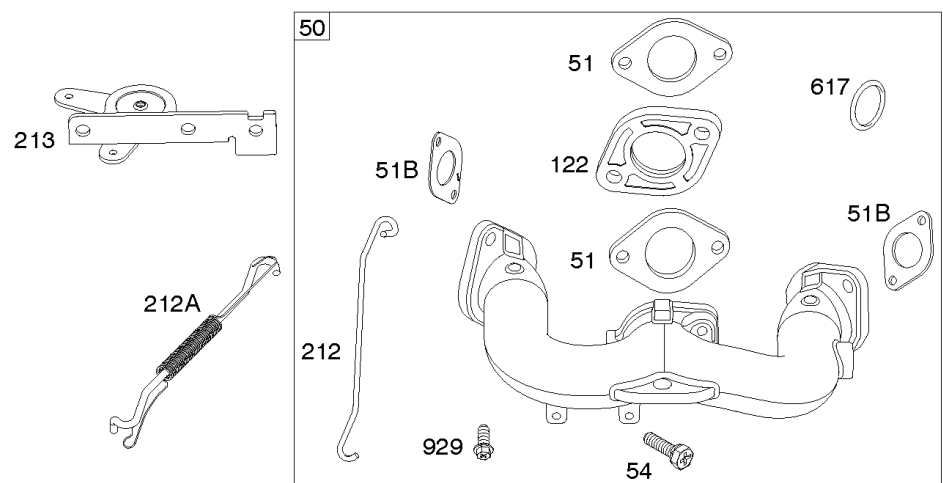
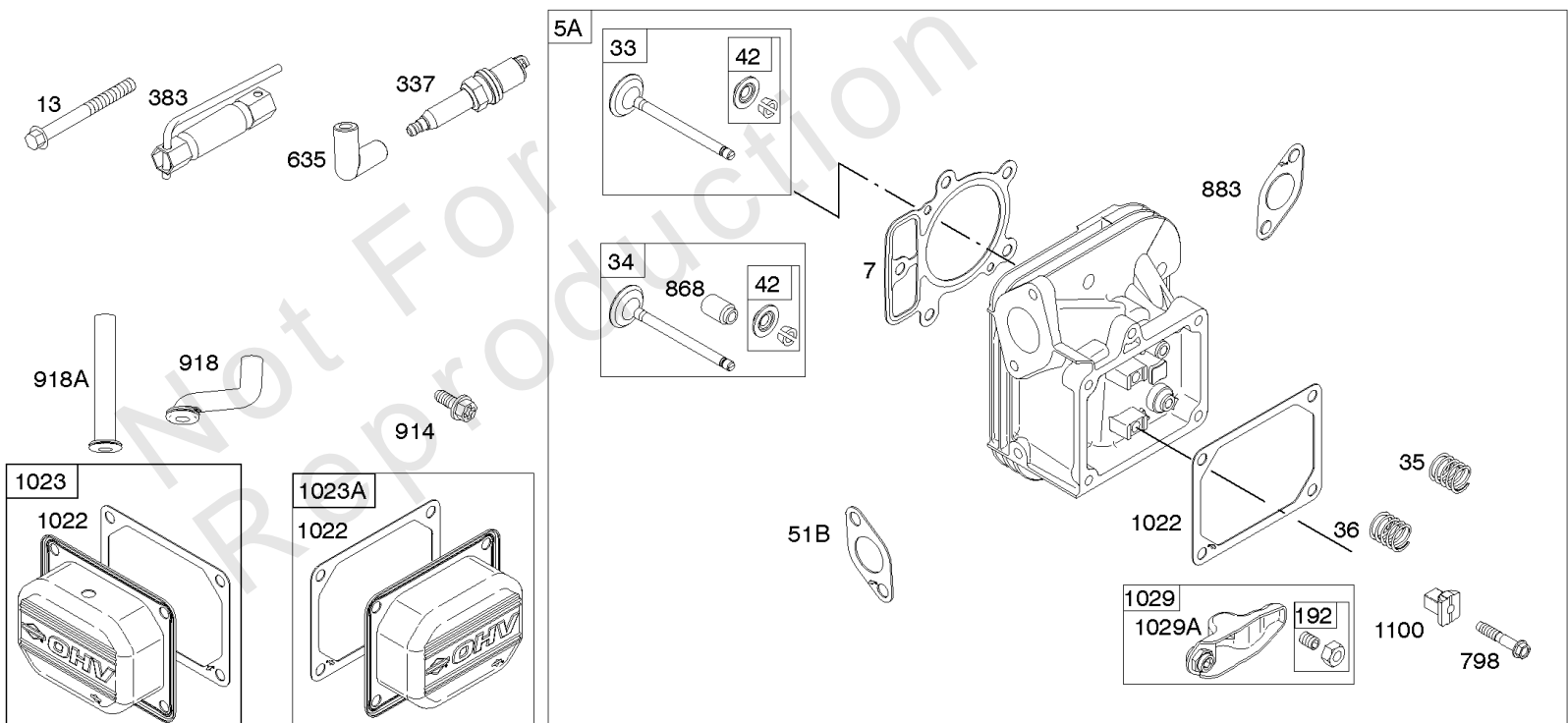
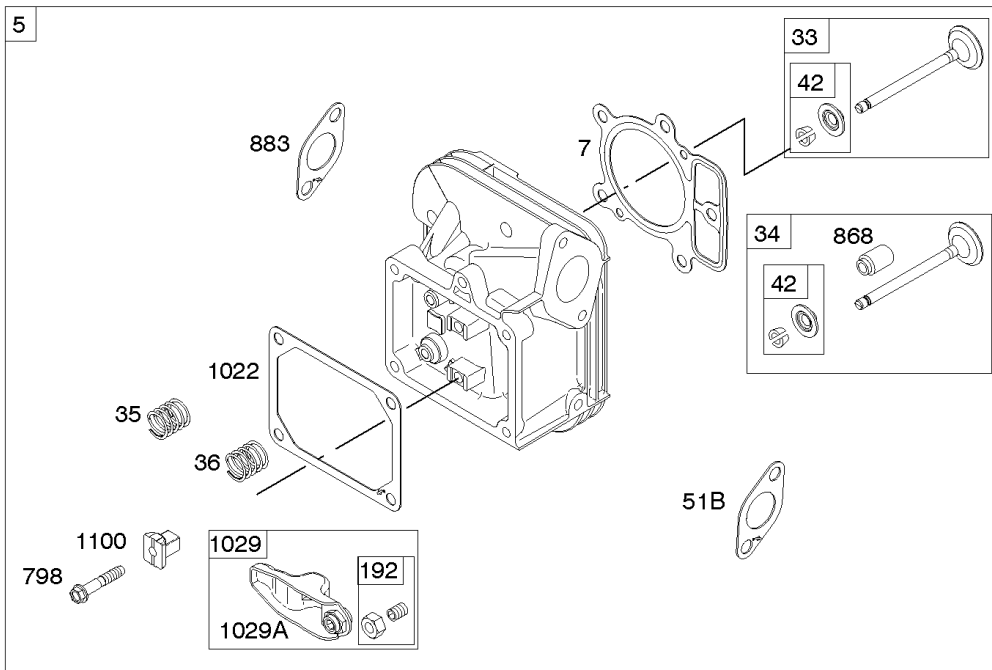
REF NO	PART NO	QTY	DESCRIPTION
975A	591699		BOWL, Float
1127	695407		SCREW -(Float Bowl) (Float Bowl to Carburetor Body) Aluminum Float Bowl

Not For Reproduction



## Cylinder Head, Rocker Arm Cover, Intake Manifold

REF NO	PART NO	QTY	DESCRIPTION
5	796231		HEAD, Cylinder -(Cylinder #1)
5A	796232		HEAD, Cylinder -(Cylinder #2)
7	693997		GASKET, Cylinder Head
13	793988		SCREW -(Cylinder Head) -Used After Code Date 08063000
13	791130		SCREW -(Cylinder Head) -Used Before Code Date 08070100
33	499596		VALVE, Exhaust -Used Before Code Date 10021500
34	792200		VALVE, Intake
35	694865		SPRING, Valve -(Intake)
36	694865		SPRING, Valve -(Exhaust)
42	499586		KEEPER, Valve
45	690977		TAPPET, Valve
50	699801		MANIFOLD, Intake
51	699803		GASKET, Intake
51B	690949		GASKET, Intake
53	690951		STUD -(Carburetor)
54	699816		SCREW -(Intake Manifold)
122	699802		SPACER, Carburetor
192	690083		ADJUSTER, Rocker Arm
212	695238		LINK, Throttle
212A	792265		LINK, Throttle
213	691021		BRACKET, Choke Control
337	792015		PLUG, Spark
383	19576S		WRENCH, Spark Plug
617	697891		SEAL, O-Ring -(Intake Manifold)
635	66538S		BOOT, Spark Plug
654	690958		NUT -(Carburetor)
798	697890		SCREW -(Rocker Arm)
868	690968		SEAL, Valve
883	690970		GASKET, Exhaust
914	691127		SCREW -(Rocker Cover)
918	793147		HOSE, Vacuum -(Formed Hose)
918A	596163		HOSE, Vacuum -Used Before Code Date 19091800
918A	593641		HOSE, Vacuum -Used After Code Date 19091700
929	691003		SCREW -(Choke Control Bracket)
1022	690971		GASKET, Rocker Cover
1023	499599		COVER, Rocker -(Cylinder 1) -Used Before Code Date 06090500





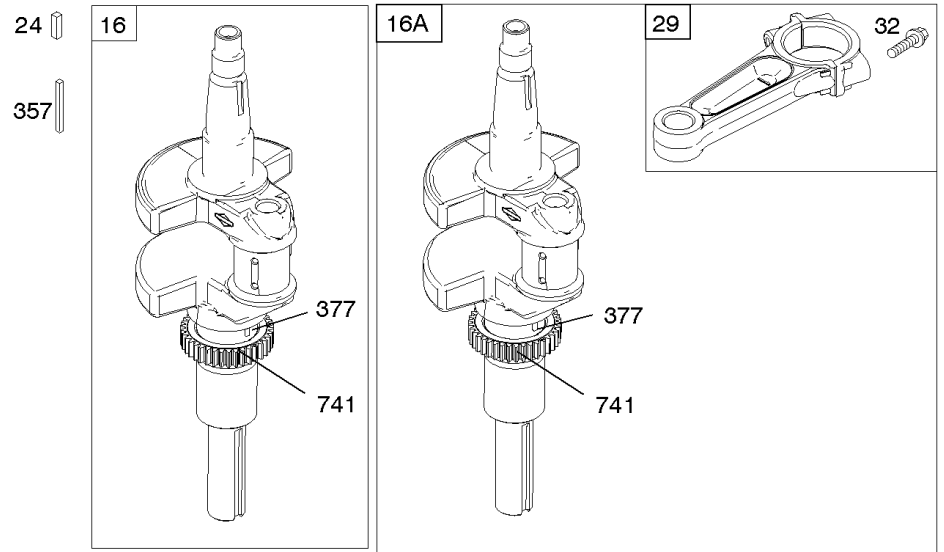
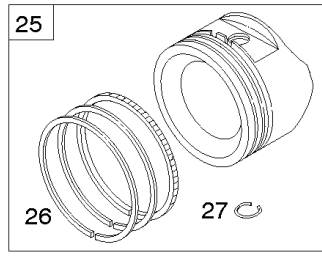
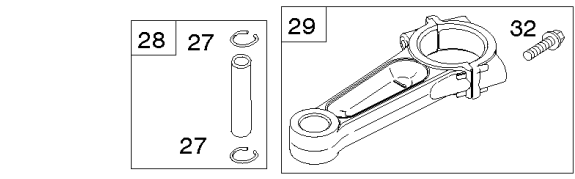
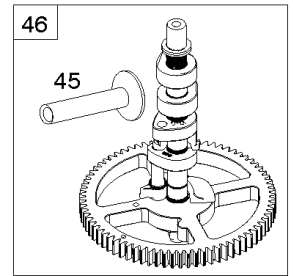
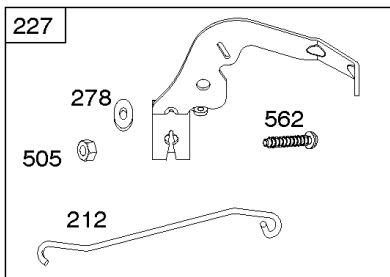
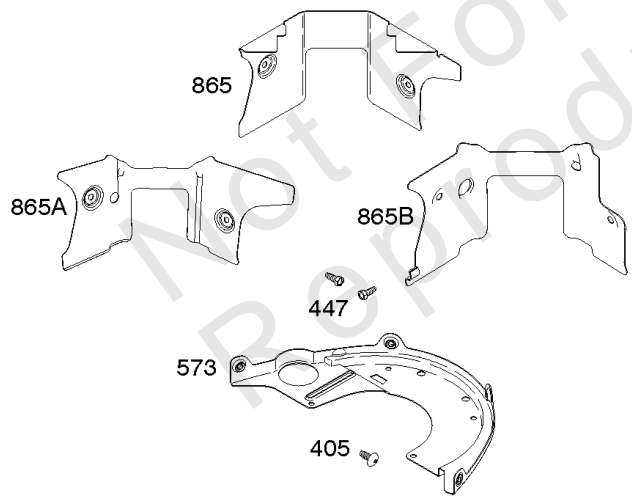
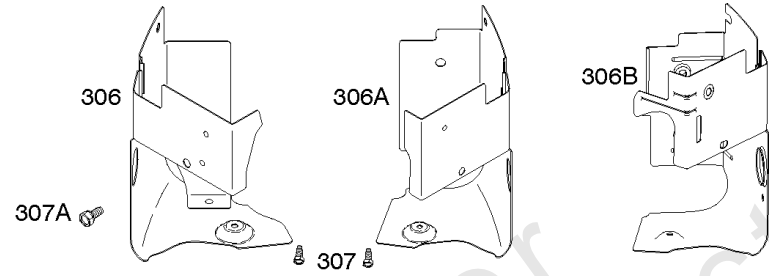
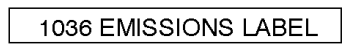
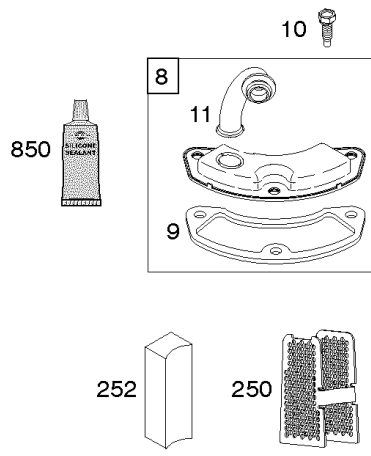
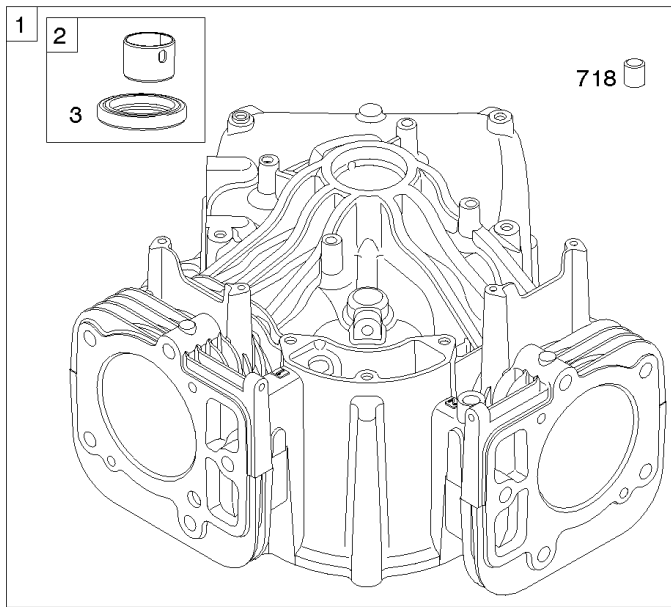
## ***Cylinder Head, Rocker Arm Cover, Intake Manifold***

<b>REF NO</b>	<b>PART NO</b>	<b>QTY</b>	<b>DESCRIPTION</b>
1023	793146		COVER, Rocker -(Cylinder #1) -Used After Code Date 06090400
1023A	499600		COVER, Rocker -(Cylinder #2)
1026	690981		ROD, Push -(Steel)
1026A	690982		ROD, Push -(Aluminum)
1029	690972		ARM, Rocker
1029A	807323		ARM, Rocker
1100	791959		PIVOT, Rocker Arm

Not For Reproduction

# Cylinder, Crankshaft, Camshaft, Air Guides, Piston, Rings, Connecting Rod

Mfg. No: 405577-0131-B1

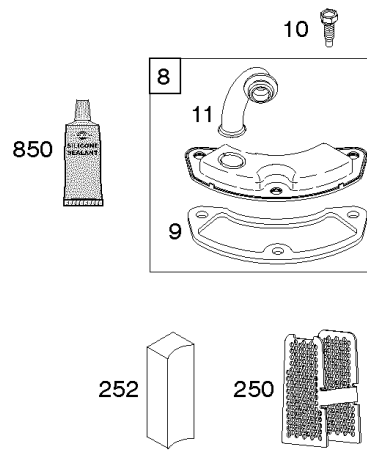
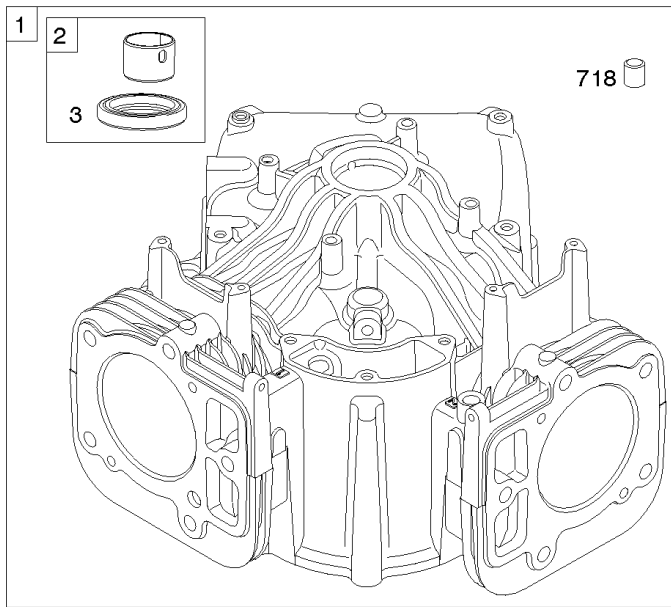


## Cylinder, Crankshaft, Camshaft, Air Guides, Piston, Rings, Connecting Rod

REF NO	PART NO	QTY	DESCRIPTION
1	591694		CYLINDER ASSEMBLY -Used After Code Date 12051300
1	699751		CYLINDER ASSEMBLY -Used Before Code Date 07071000
1	795118		CYLINDER ASSEMBLY -Used After Code Date 07070900 -Used Before Code Date 12051400
2	797673		KIT, Bushing/Seal -(Magneto Side)
3	391086S		SEAL, Oil -(Magneto Side)
8	792185		BREATHER ASSEMBLY
9	690937		GASKET, Breather
10	691108		SCREW -(Breather Assembly)
11	792184		TUBE, Breather
16	796237		CRANKSHAFT -Used After Code Date 04010800
16A	699701		CRANKSHAFT -(Includes Connecting Rod) -Used Before Code Date 04010900
24	222698S		KEY, Flywheel
25	794191		PISTON ASSEMBLY -(Standard) -Used Before Code Date 07042700
25	794192		PISTON ASSEMBLY -(.020 Oversize) -Used Before Code Date 07050800
26	499604		SET, Ring -(Standard) -Used Before Code Date 06101500
26	499606		SET, Ring -(.020 Oversize) -Used Before Code Date 06101500
26	791787		SET, Ring -(Standard) -Used After Code Date 06101400
26	793650		SET, Ring -(.020 Oversize) -Used After Code Date 06101400
27	690975		LOCK, Piston Pin
28	696581		PIN, Piston -(Standard)
29	-----		Rod-Connecting -(For Replacement Connecting Rod, See Reference 16A) -Used Before Code Date 04010900
29	796209		ROD, Connecting -(Standard) -Used After Code Date 04010900
32	690976		SCREW -(Connecting Rod)
45	690977		TAPPET, Valve
46	792555		CAMSHAFT
212	695238		LINK, Throttle
227	798856		LEVER, Governor Control
250	690957		RETAINER, Breather
252	794389		COLLECTOR, Oil
278	792651		WASHER -(Governor Lever)
306B	591666		SHIELD, Cylinder

# Cylinder, Crankshaft, Camshaft, Air Guides, Piston, Rings, Connecting Rod

Mfg. No: 405577-0131-B1



1319 WARNING LABEL

**REQUIRED** when replacing parts with warning labels affixed.

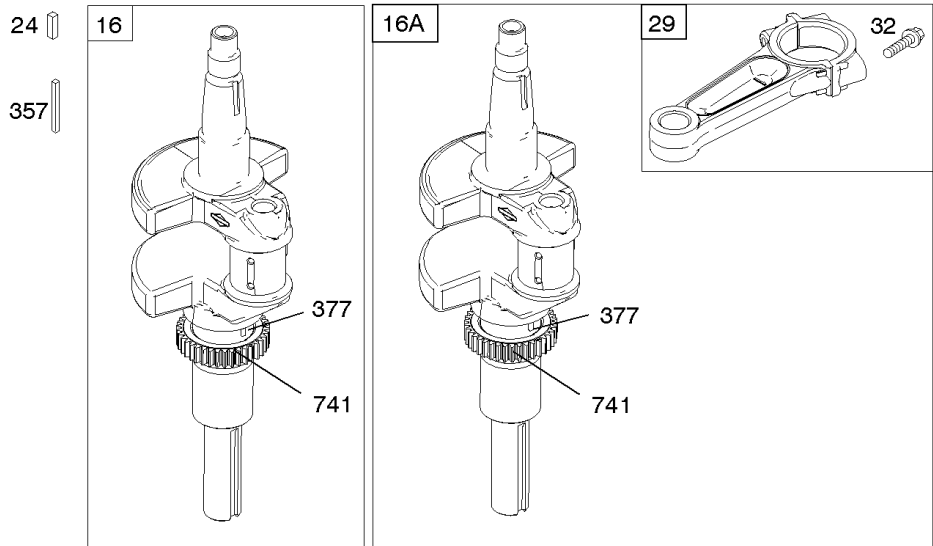
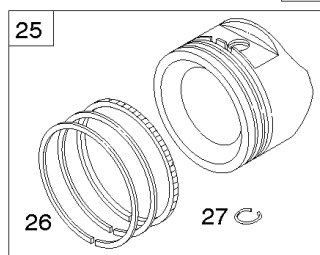
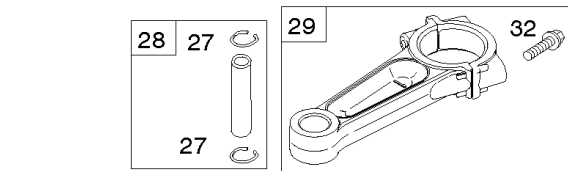
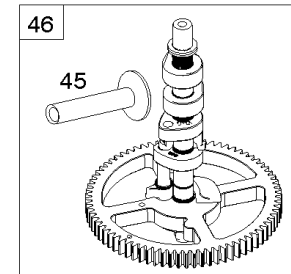
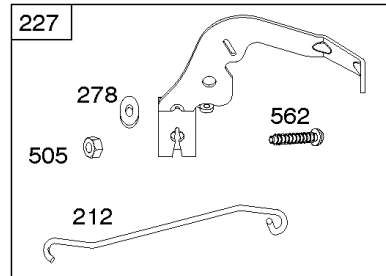
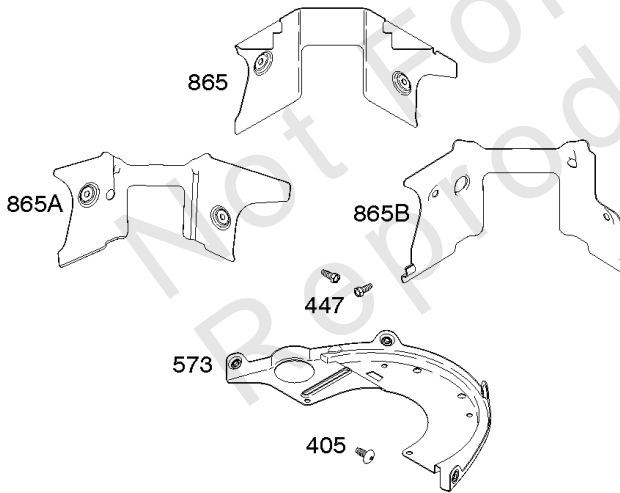
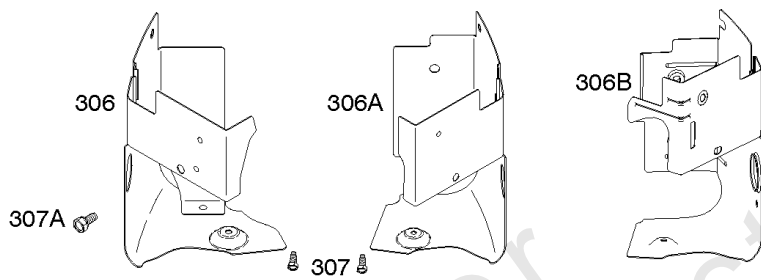
1319A WARNING LABEL

**REQUIRED** when replacing parts with warning labels affixed.

1058 OPERATOR'S MANUAL

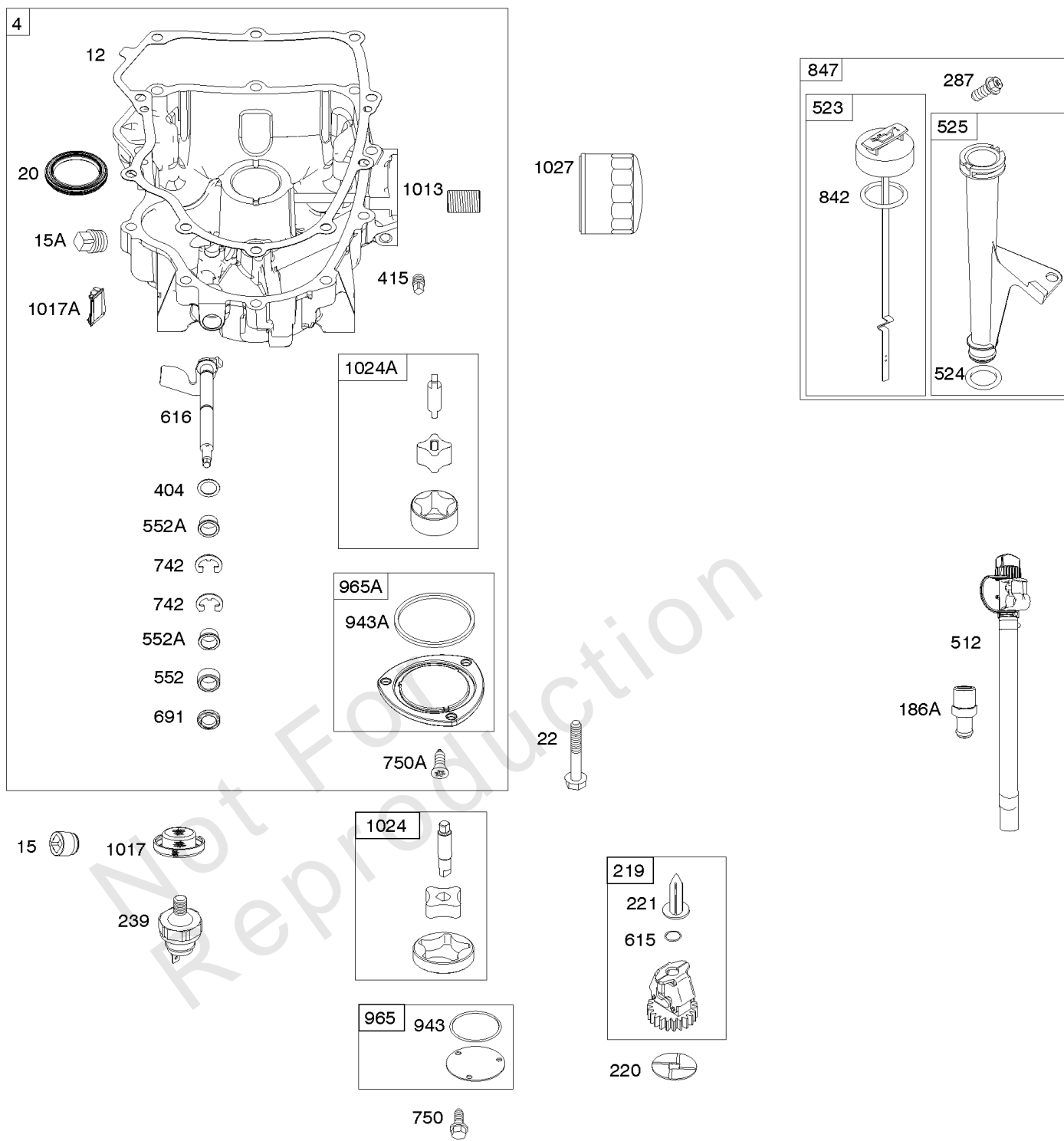
1330 REPAIR MANUAL

1036 EMISSIONS LABEL



## ***Cylinder, Crankshaft, Camshaft, Air Guides, Piston, Rings, Connecting Rod***

<b>REF NO</b>	<b>PART NO</b>	<b>QTY</b>	<b>DESCRIPTION</b>
307	691003		SCREW -(Cylinder Shield)
307A	691108		SCREW -(Cylinder Shield)
357	691483		KEY, Drive Pulley
377	690979		KEY, Woodruff
405	697820		SCREW -(Back Plate)
447	691003		SCREW -(Air Guide Cover)
505	691029		NUT -(Governor Control Lever)
562	690311		BOLT -(Governor Control Lever)
573	790444		PLATE, Back
718	690959		PIN, Locating
741	690980		GEAR, Timing
850	100106		SEALANT, Liquid
865B	792286		COVER, Air Guide -(Valley)
1036	-----		Label-Emissions
1058	381258TRI		MANUAL, Operator's
1319	794467		LABEL, Warning
1319A	797669		LABEL, Warning
1330	273521		MANUAL, Repair

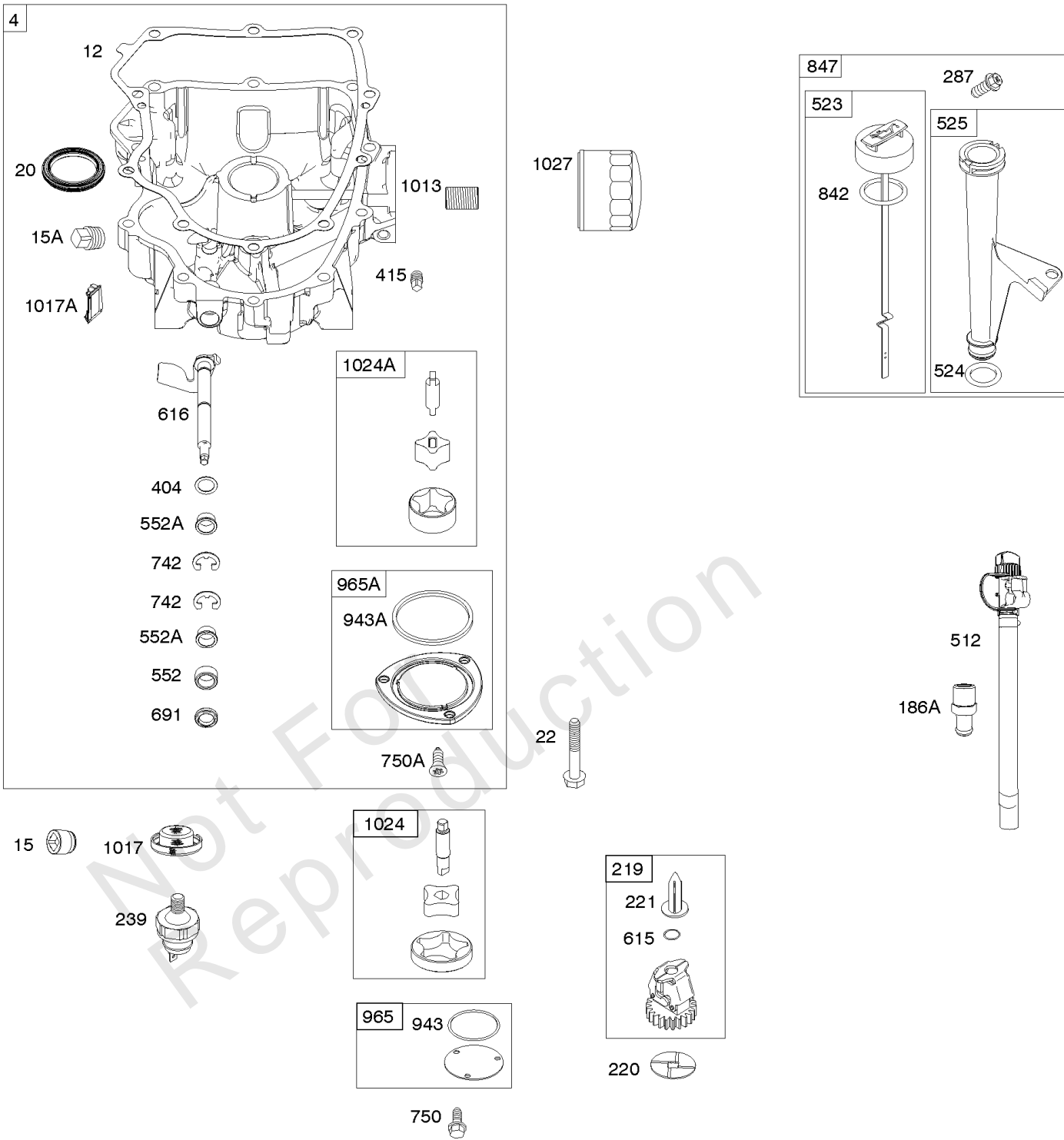


## Engine Sump, Oil Pump, Dipstick/Tube Assembly

REF NO	PART NO	QTY	DESCRIPTION
4	796307		SUMP, Engine
12	697227		GASKET, Crankcase
15	691680		PLUG, Oil Drain -Used Before Code Date 08071800
15A	690946		PLUG, Oil Drain -Used After Code Date 08071700
20	795387		SEAL, Oil -(PTO Side)
22	694966		SCREW -(Crankcase Cover/Sump)
186A	796532		CONNECTOR, Hose -Oil Drain
219	793338		GEAR, Governor
220	799772		WASHER -(Governor Gear)
221	841026		CUP, Governor
287	697820		SCREW -(Dipstick Tube)
404	690442		WASHER -(Governor Crank)
415	794903		PLUG
512	796530		HOSE, Oil Drain
523	691036		DIPSTICK
524	691032		SEAL, O-Ring
525	691037		TUBE, Dipstick
552	796638		BUSHING, Governor Crank
552A	690553		BUSHING, Governor Crank
615	698290		RETAINER, Governor Shaft
616	691045		CRANK, Governor
691	690657		SEAL, Governor Shaft
742	690328		RETAINER, E Ring
750	696999		SCREW -(Oil Pump Cover) -Used Before Code Date 08071800
750A	796208		SCREW -(Oil Pump Cover) -Used After Code Date 08071700
842	691031		SEAL, O-Ring -(Dipstick Tube)
847	499602		DIPSTICK/TUBE ASSEMBLY
943	690589		SEAL, O-Ring -(Oil Pump Cover) -Used Before Code Date 08071800
943A	796222		SEAL, O-Ring -(Oil Pump Cover) -Used After Code Date 08071700
965	499613		COVER, Oil Pump -Used Before Code Date 08071800
965A	796221		COVER, Oil Pump -Used After Code Date 08071700
1013	690954		NIPPLE, Oil Filter
1017	690770		SCREEN, Oil Pump -Used Before Code Date 08071800
1017A	796214		SCREEN, Oil Pump -Used After Code Date 08071700
1024	794644		SHAFT, Pump -Used Before Code Date 08071800
1024A	796220		PUMP, Oil -Used After Code Date 08071700

# Engine Sump, Oil Pump, Dipstick/Tube Assembly

Mfg. No: 405577-0131-B1

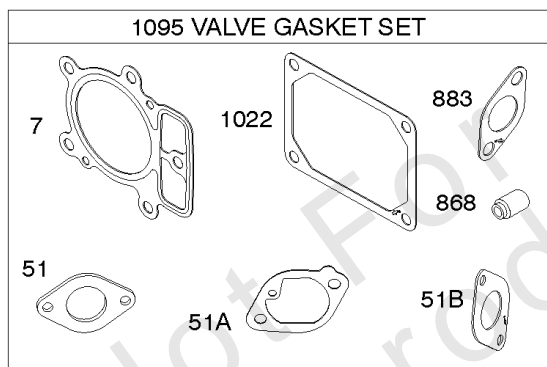
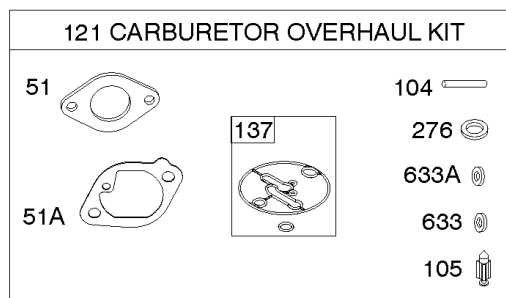
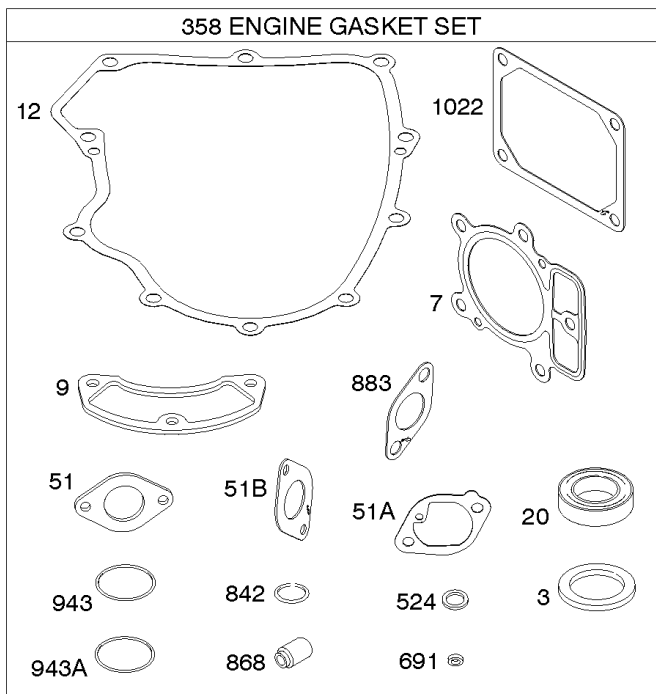




## Engine Sump, Oil Pump, Dipstick/Tube Assembly

REF NO	PART NO	QTY	DESCRIPTION
1027	492932S		FILTER, Oil -(Black)
1027	795890		FILTER, Oil -(Yellow)

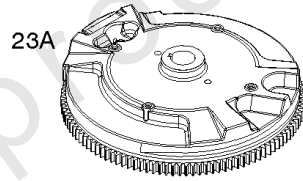
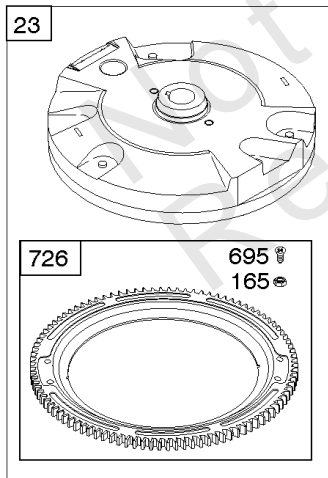
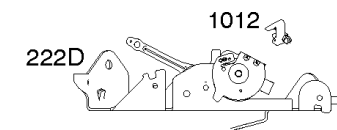
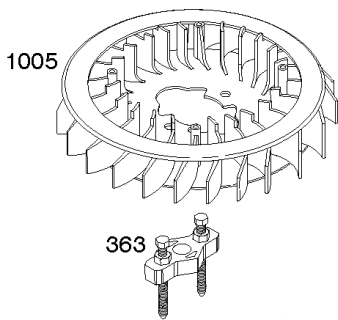
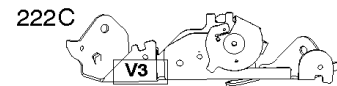
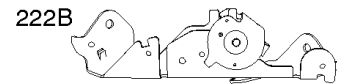
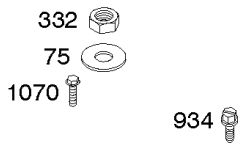
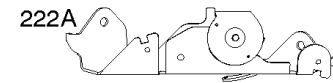
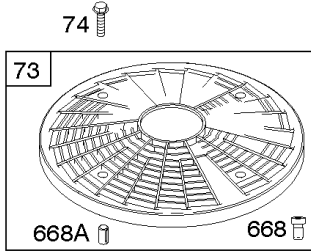
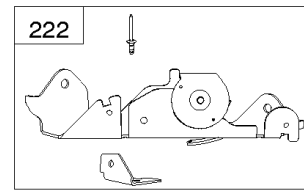
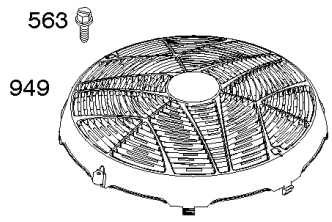
Not For Reproduction



Not For Production

## Engine/Valve Gasket Set, Carburetor Overhaul Kit

REF NO	PART NO	QTY	DESCRIPTION
3	391086S		SEAL, Oil -(Magneto Side)
7	693997		GASKET, Cylinder Head
9	690937		GASKET, Breather
12	697227		GASKET, Crankcase
20	795387		SEAL, Oil -(PTO Side)
51	699803		GASKET, Intake
51A	699800		GASKET, Intake
51B	690949		GASKET, Intake
104	694918		PIN, Float Hinge
105	698537		VALVE, Float Needle
121	699814		KIT, Carburetor Overhaul
137	698781		GASKET, Float Bowl
276	695410		WASHER, Sealing
358	699823		GASKET SET, Engine
524	691032		SEAL, O-Ring
633	699813		SEAL, Choke/Throttle Shaft
633A	806131		SEAL, Choke/Throttle Shaft
691	690657		SEAL, Governor Shaft
842	691031		SEAL, O-Ring -(Dipstick Tube)
868	690968		SEAL, Valve
883	690970		GASKET, Exhaust
943	690589		SEAL, O-Ring -(Oil Pump Cover) -Used Before Code Date 08071800
943A	796222		SEAL, O-Ring -(Oil Pump Cover) -Used After Code Date 08071700
1022	690971		GASKET, Rocker Cover
1095	699822		GASKET SET, Valve



## Flywheel, Controls

REF NO	PART NO	QTY	DESCRIPTION
23	691053		FLYWHEEL
73	494439		SCREEN, Rotating
74	698425		SCREW -(Rotating Screen)
75	691056		WASHER -(Flywheel)
165	693148		NUT -(Ring Gear)
188	691108		SCREW -(Control Bracket)
209A	798921		SPRING, Governor -(Orange)
211	691019		SPRING, Governed Idle -(No Color)
216	691022		LINK, Choke -(Manual Choke)
222C	798916		BRACKET, Control -(V3 Manual Choke)
265	691024		CLAMP, Casing
267	792629		SCREW -(Casing Clamp)
332	691059		NUT -(Flywheel)
363	19203		PULLER, Flywheel
563	799359		SCREW -(Debris Screen Guard)
668	691500		SPACER
668A	691215		SPACER
695	693149		SCREW -(Ring Gear)
726	499612		GEAR, Ring
934	592604		SCREW -(Fan Retainer)
949	798767		GUARD, Debris Screen
1005	499603		FAN, Flywheel -Used Before Code Date 04072000
1005	790698		FAN, Flywheel -Used After Code Date 04071900 -Used Before Code Date 06103000
1005	791236		FAN, Flywheel -Used After Code Date 06102900
1012	592556		RETAINER, Link
1070	791680		SCREW -(Flywheel Fan)

**Replacement Engine - US & Canada**

---

REF NO	PART NO	QTY	DESCRIPTION
--------	---------	-----	-------------

---

Not For Reproduction

