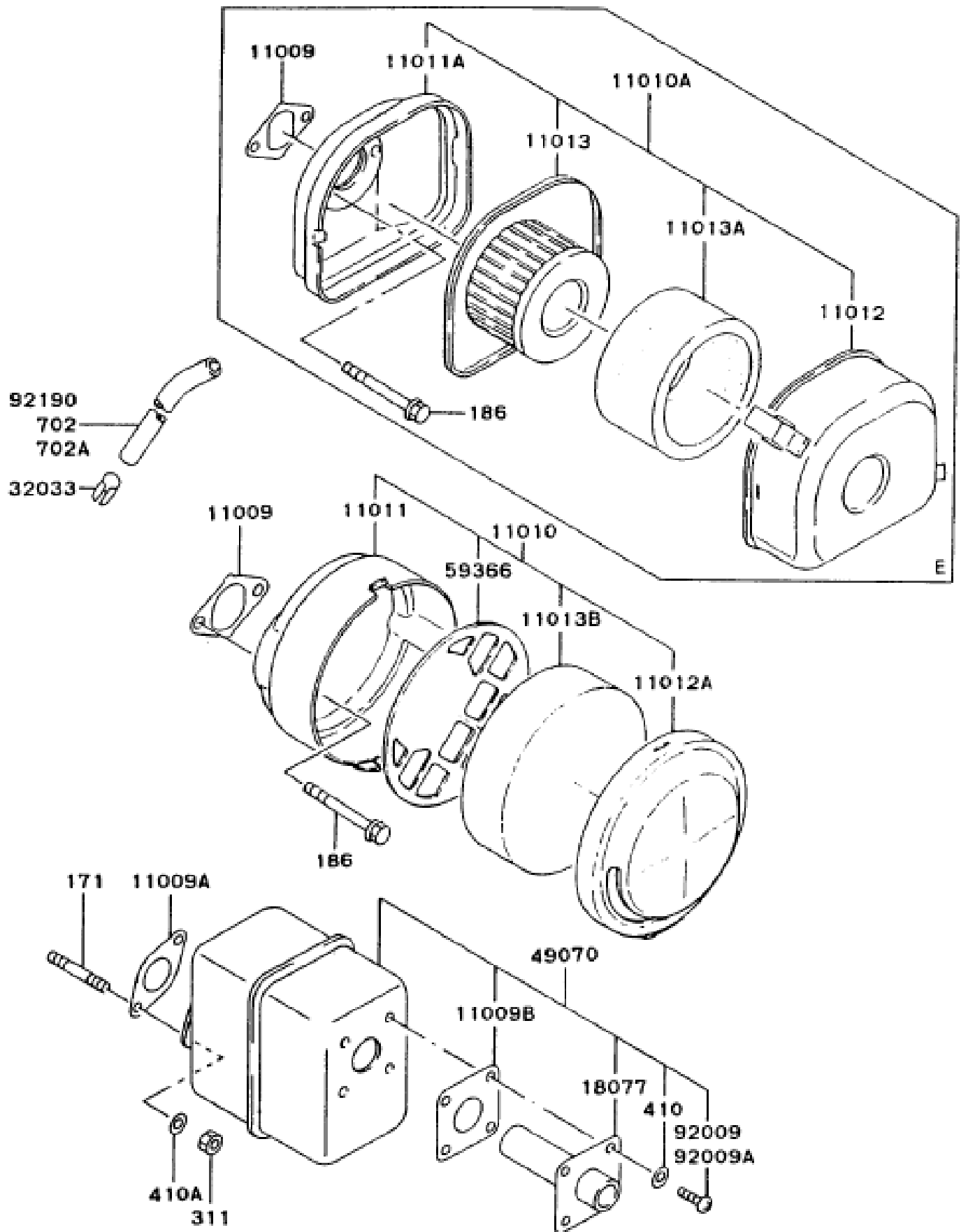
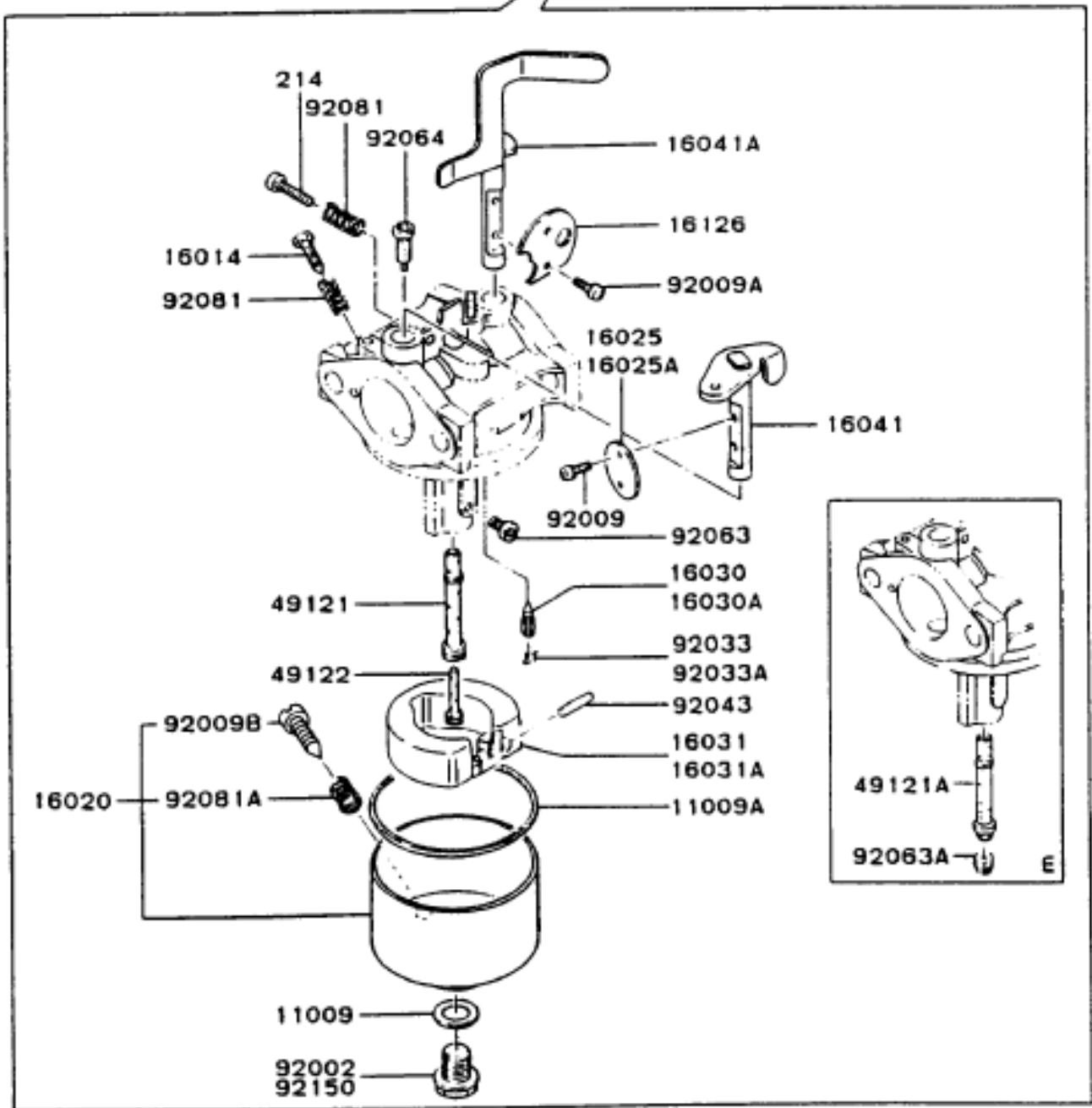
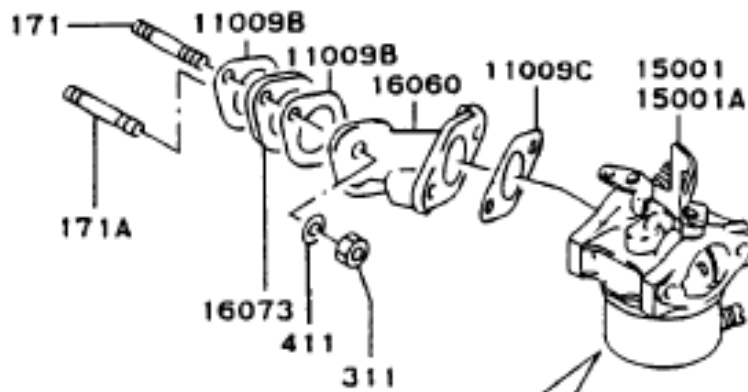




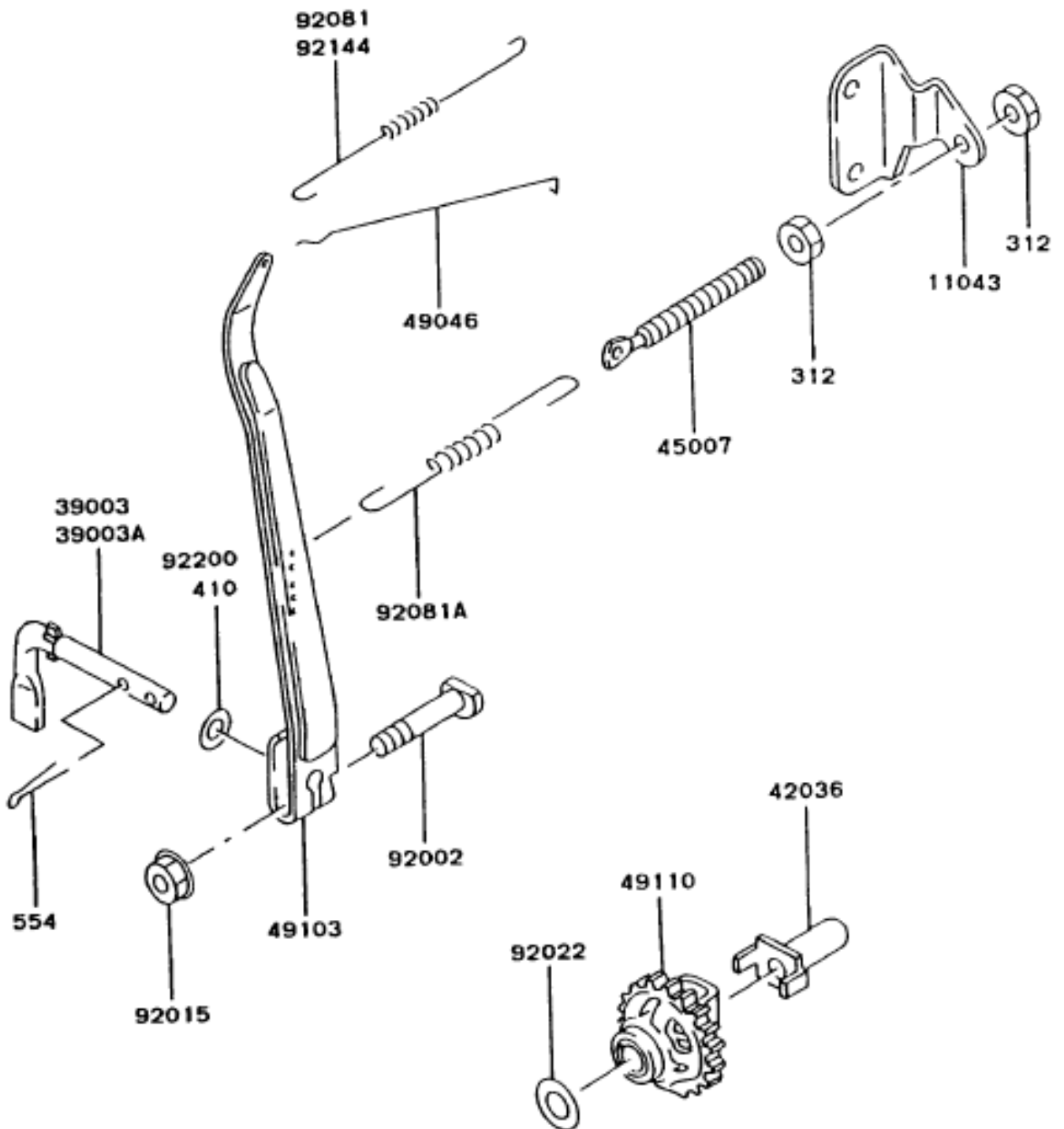
Vue éclatée

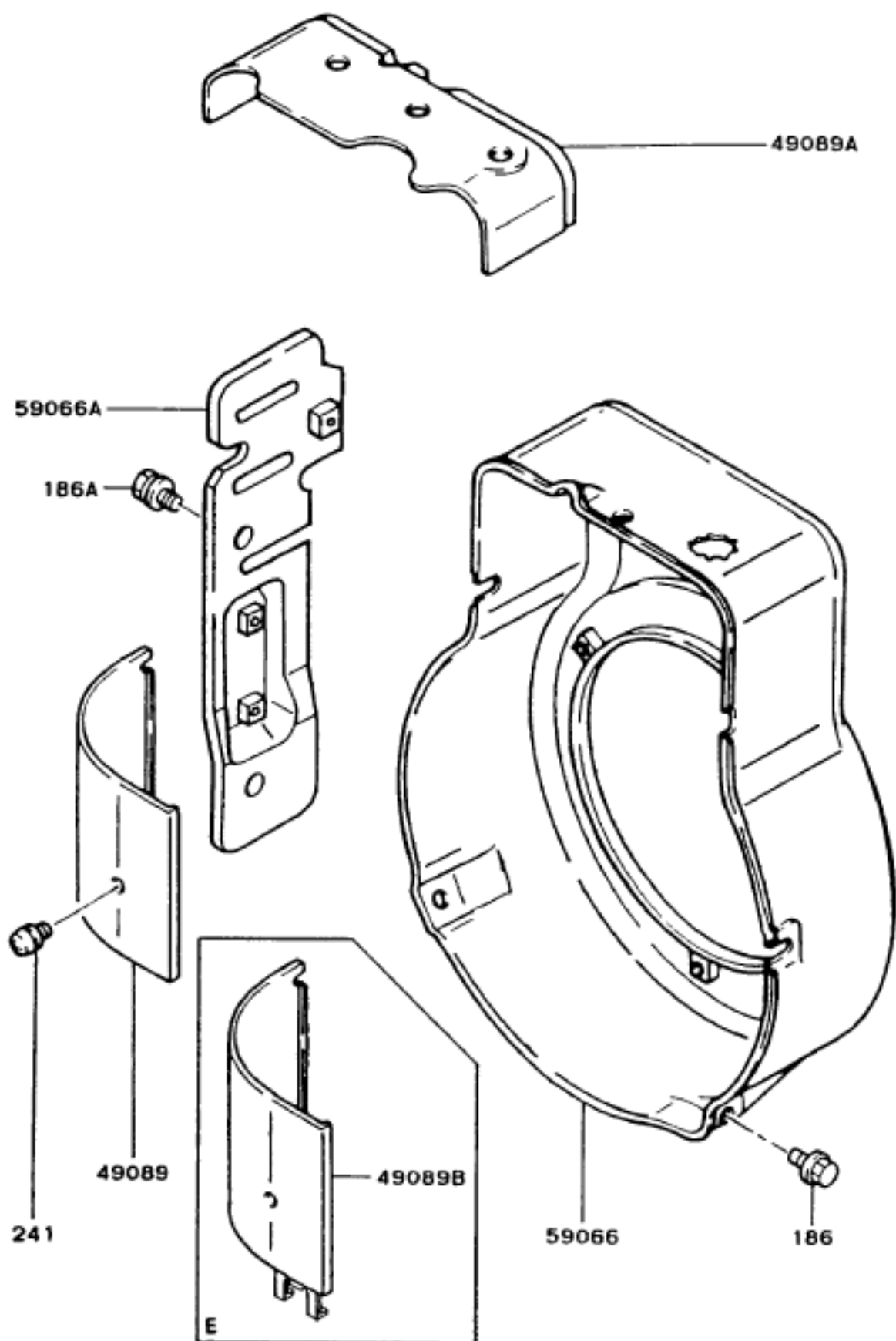
FA 210 D



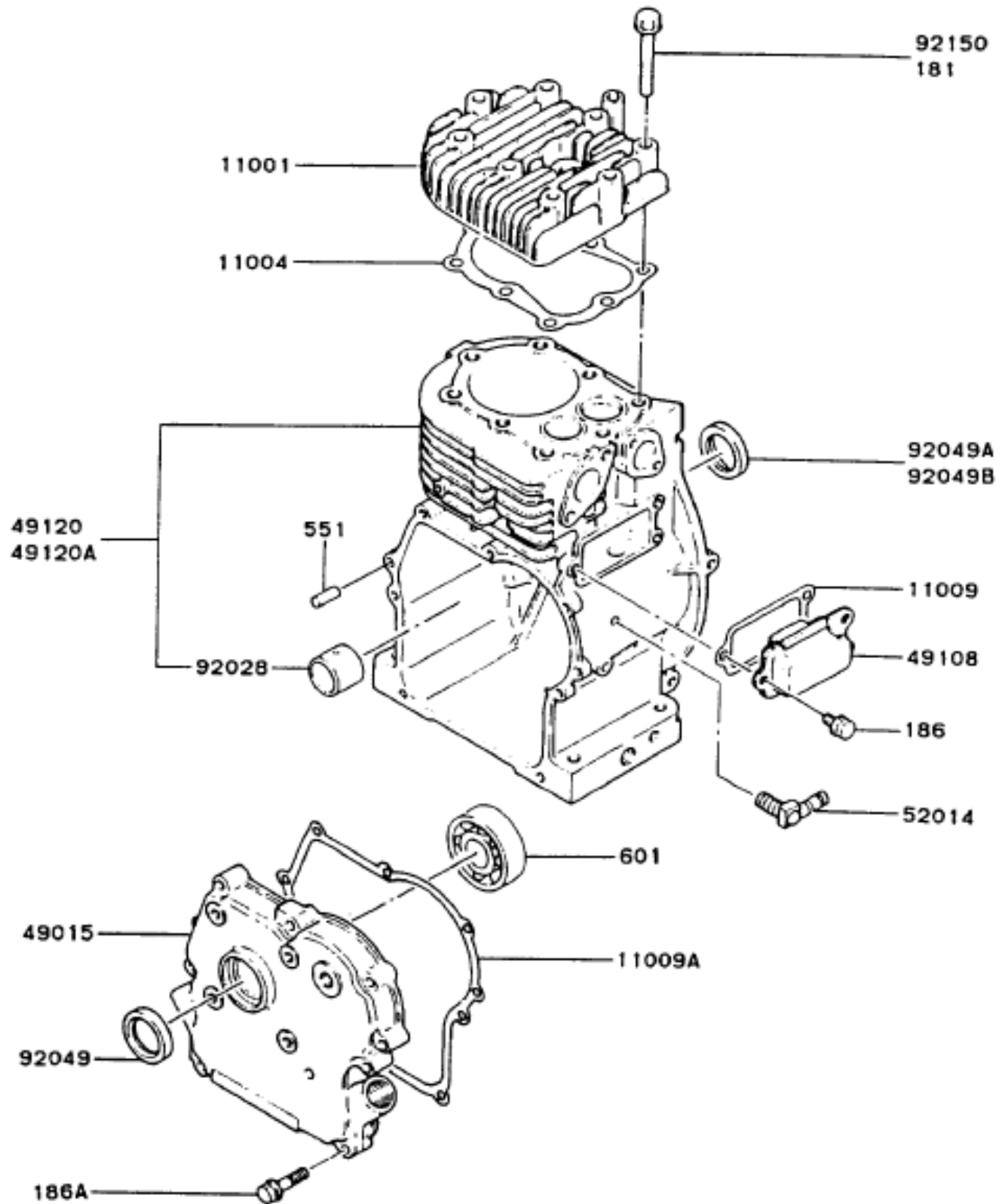


E0170-2283A

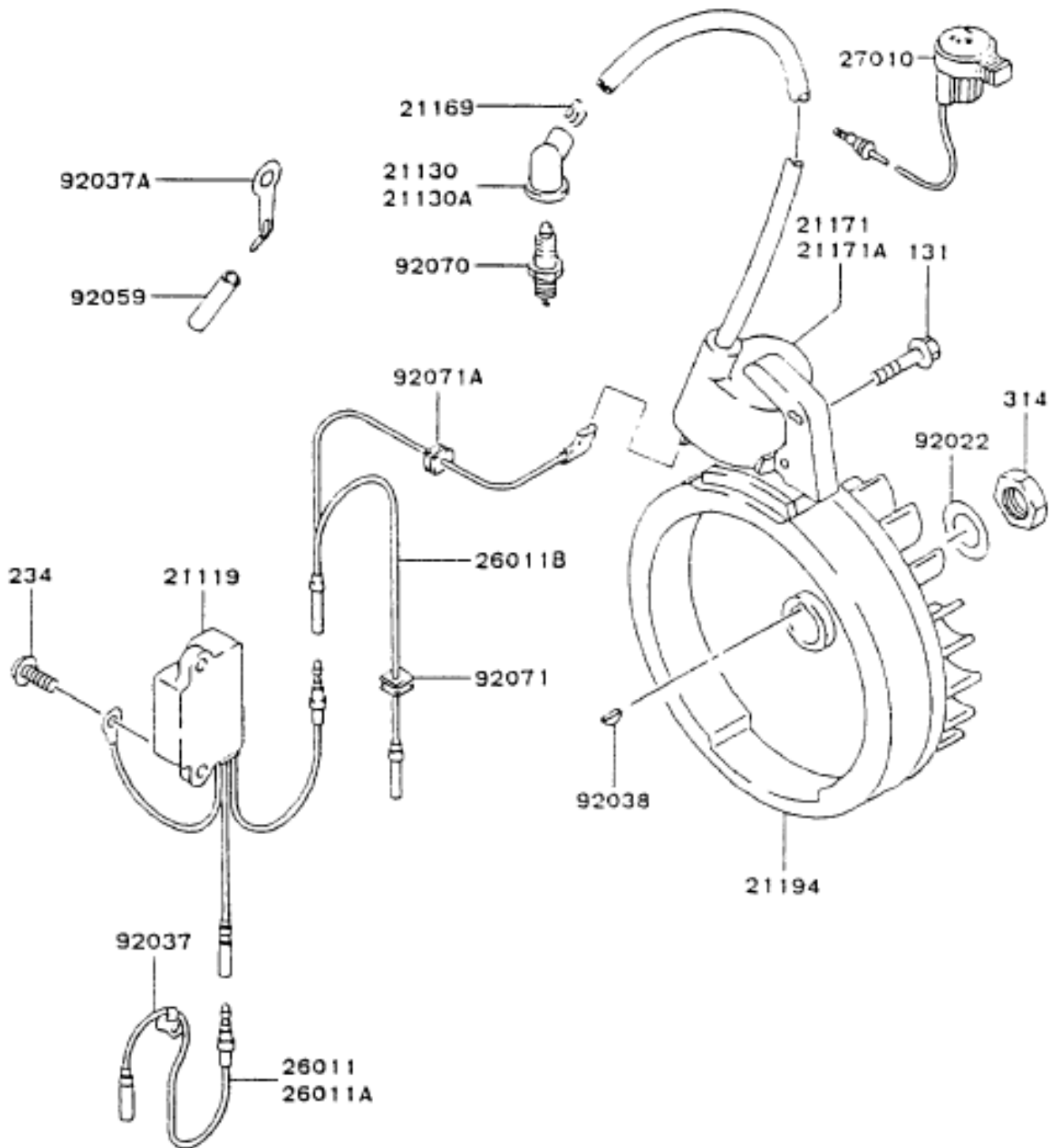




E0110-2098B



E0160-2411A



56031

CLEAN ELEMENT EVERY 20-50 HRS OR REQUIRED. WASH IN KEROSENE, SQUEEZE DRY, SOAK ELEMENT IN ENGINE OIL, SQUEEZE AND SHAKE OFF EXCESS OIL.

56031A

LUBRICATION
 BEFORE STARTING FILL CRANKCASE WITH OIL.
 USE CLASS : SC, SD, SE.
 WINTER USE : SAE 20 SUMMER USE : SAE 30
 SEE YOUR INSTRUCTION BOOK

56031B

DUAL ELEMENT AIR CLEANER MAINTENANCE
FOAM ELEMENT: CLEAN EVERY 20 HRS.
 1. WASH IN DETERGENT AND WATER, AND DRY THOROUGHLY.
 2. SATURATE IN ENGINE OIL AND SQUEEZE OUT EXCESS.
PAPER ELEMENT: CLEAN EVERY 100 HRS.
 1. CLEAN BY TAPPING GENTLY TO REMOVE DIRT.
 2. IF NECESSARY, REPLACE OR WASH IN DETERGENT AND WATER AND DRY THOROUGHLY.
 OPERATING IN DIRTY CONDITIONS MAY REQUIRE DAILY MAINTENANCE

56038



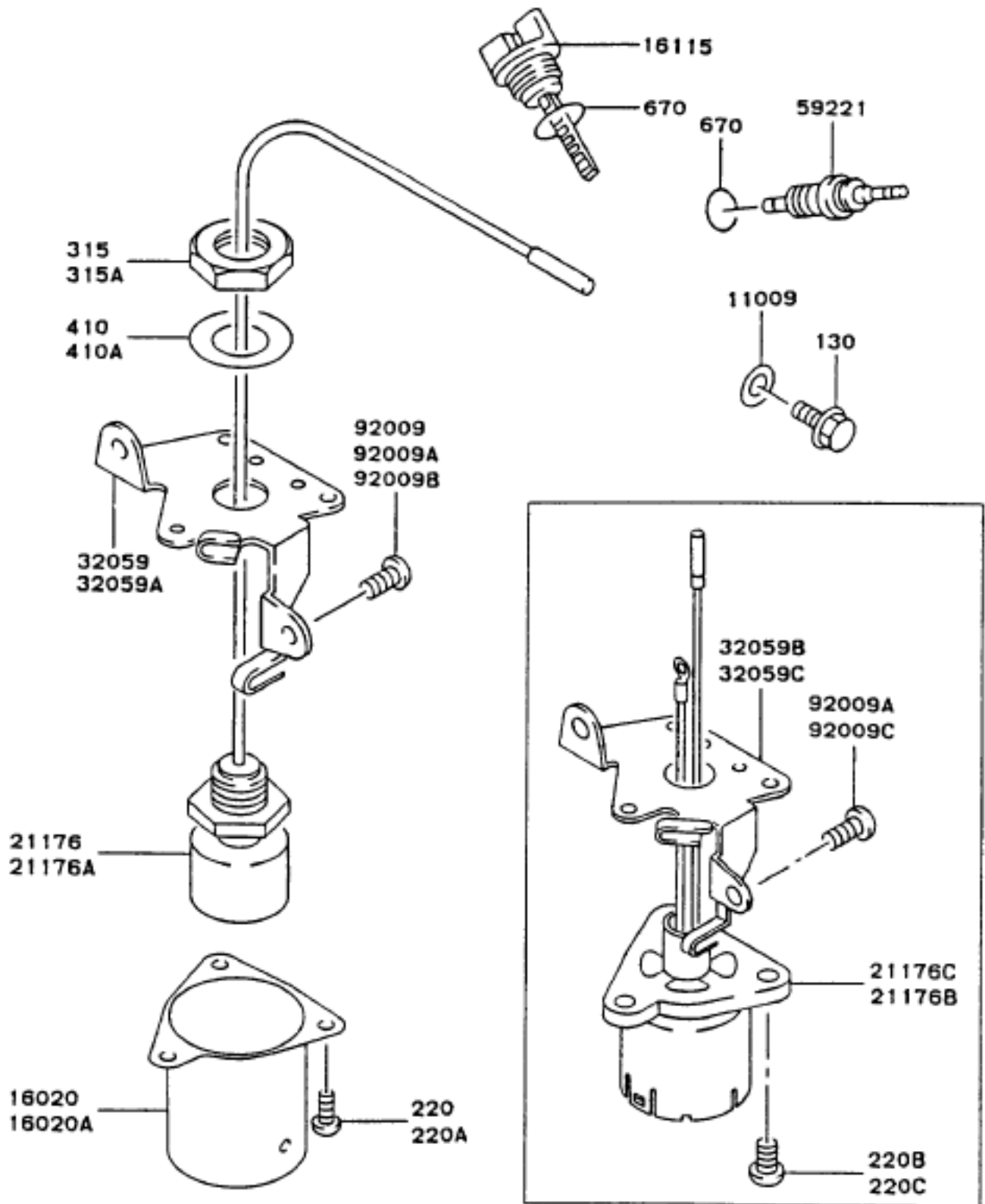
56040

Unleaded Only

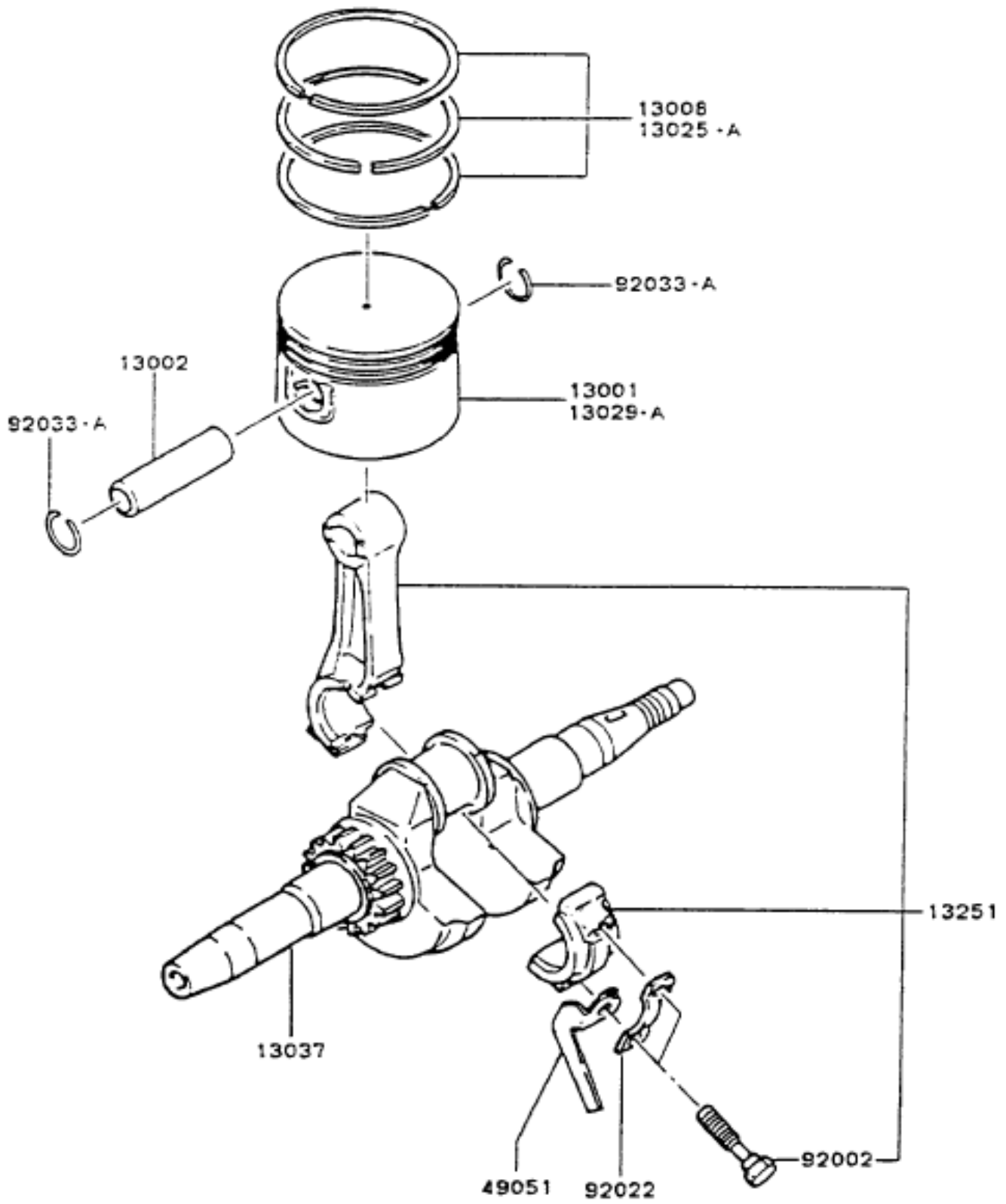
56040A



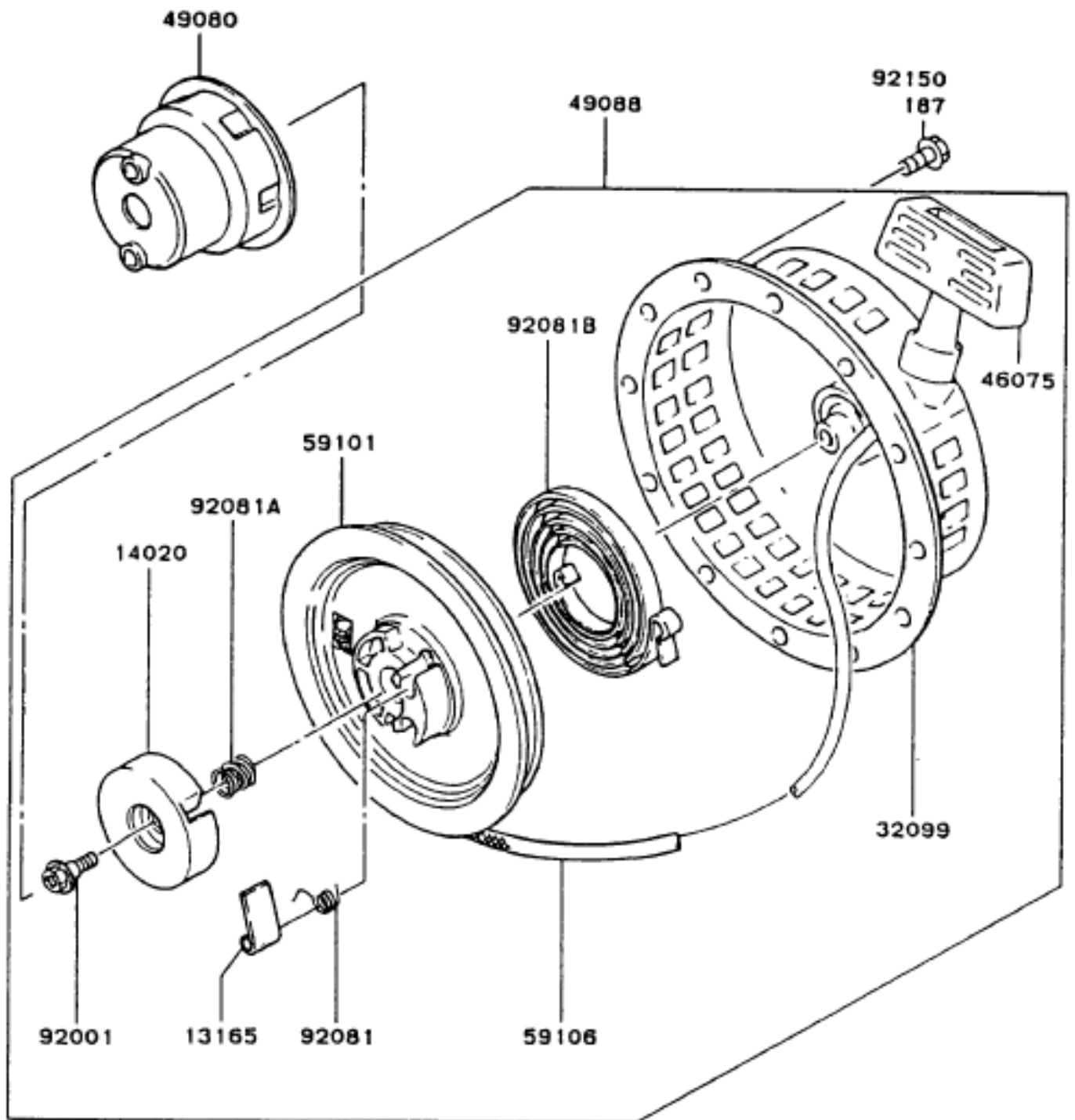
E0140-2107A



E0120-2017B



E0210-2097D



E0210-2097D

