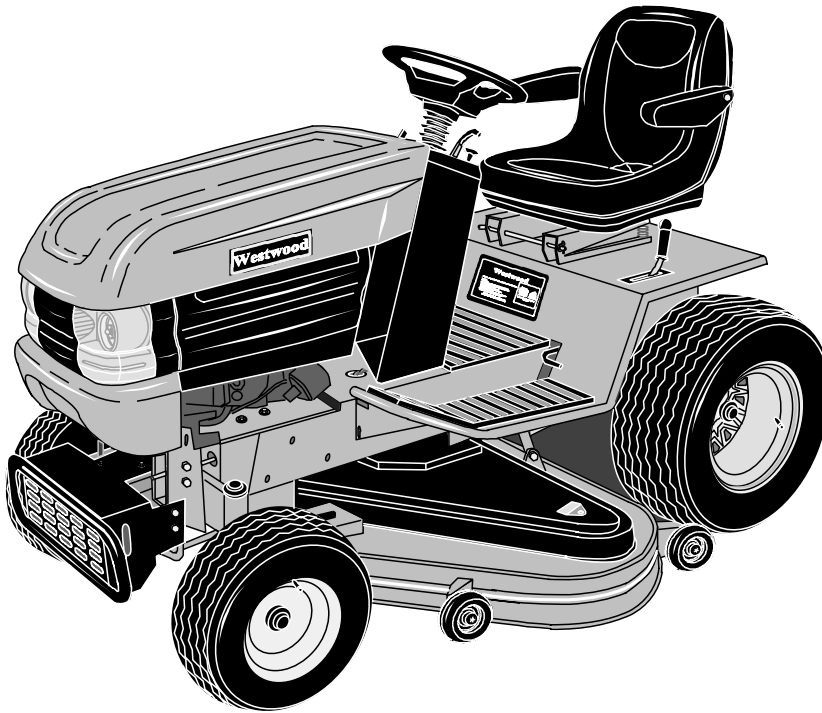


Westwood

WESTWOOD V20/50 SERIES TRACTOR



SERVICE DRAWINGS & PARTS LIST INDEX

Westwood Tractors

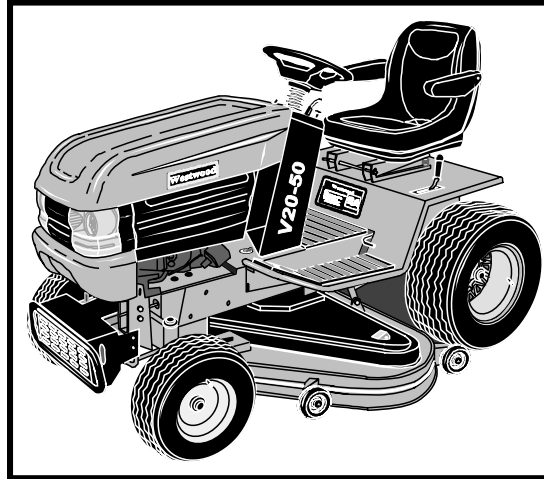
Admail 3376,
Plymouth,
Devon
PL7 5ZY

Tel: +44 (0) 800 0720127
Fax: +44 (0) 800 0720132

sales@westwoodtractors.com
www.westwoodtractors.com

Westwood

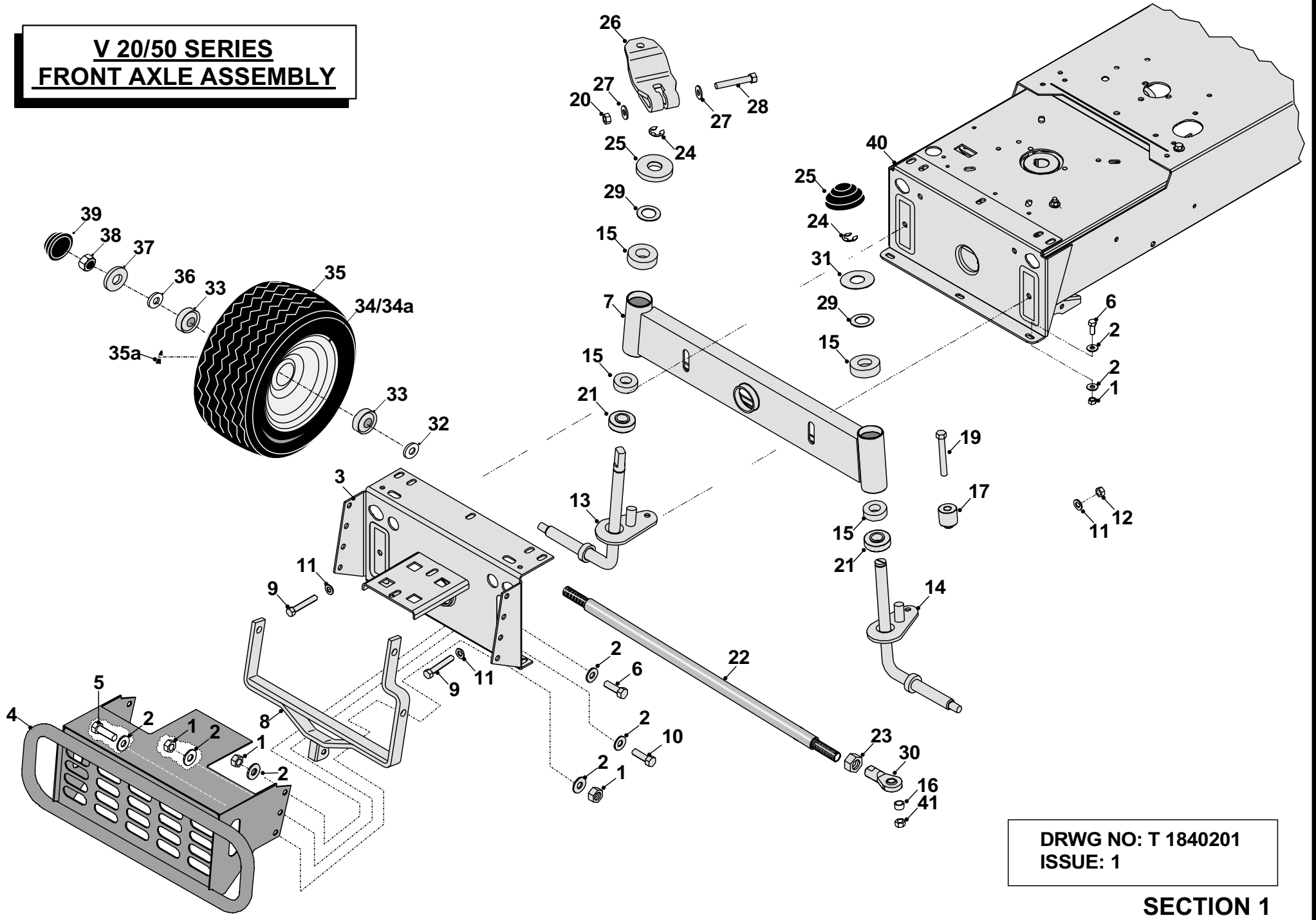
WESTWOOD V20/50 SERIES TRACTOR



SERVICE DRAWINGS & PARTS LIST INDEX

- | | | |
|----------------|-----------|---|
| SECTION | 1 | FRONT AXLE ASSEMBLY |
| SECTION | 2 | TWIN CYLINDER ENGINE ASSEMBLY |
| SECTION | 3 | TWIN EXHAUST ASSEMBLY |
| SECTION | 4 | BONNET ASSEMBLY |
| SECTION | 5 | CONSUL ASSEMBLY |
| SECTION | 6 | SEAT ASSEMBLY |
| SECTION | 7 | DECK CRADLES ASSEMBLY |
| SECTION | 8 | HAND CLUTCH / BRAKE CONTROL MODEL
P.T.O. TRANSMISSION ASSEMBLY |
| SECTION | 9 | HAND CLUTCH / BRAKE CONTROL MODEL
TUFF TORQ TRANSAXLE |
| SECTION | 10 | HAND CLUTCH / BRAKE CONTROL MODEL
RUNNING BOARD & REAR BODY ASSY |
| SECTION | 11 | MAIN WIRING LOOM |
| SECTION | 12 | REAR DISCHARGE DECK |
| SECTION | 13 | MULCHER DECK |
| SECTION | 14 | POWERED GRASS COLLECTOR |
| SECTION | 15 | POWERED GRASS COLLECTOR NET
42" HIGH GRASS MULCHER DECK |

**V 20/50 SERIES
FRONT AXLE ASSEMBLY**



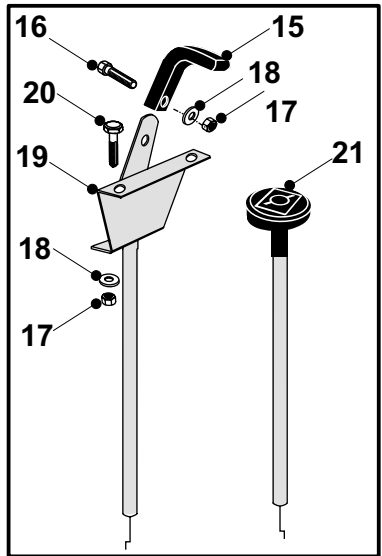
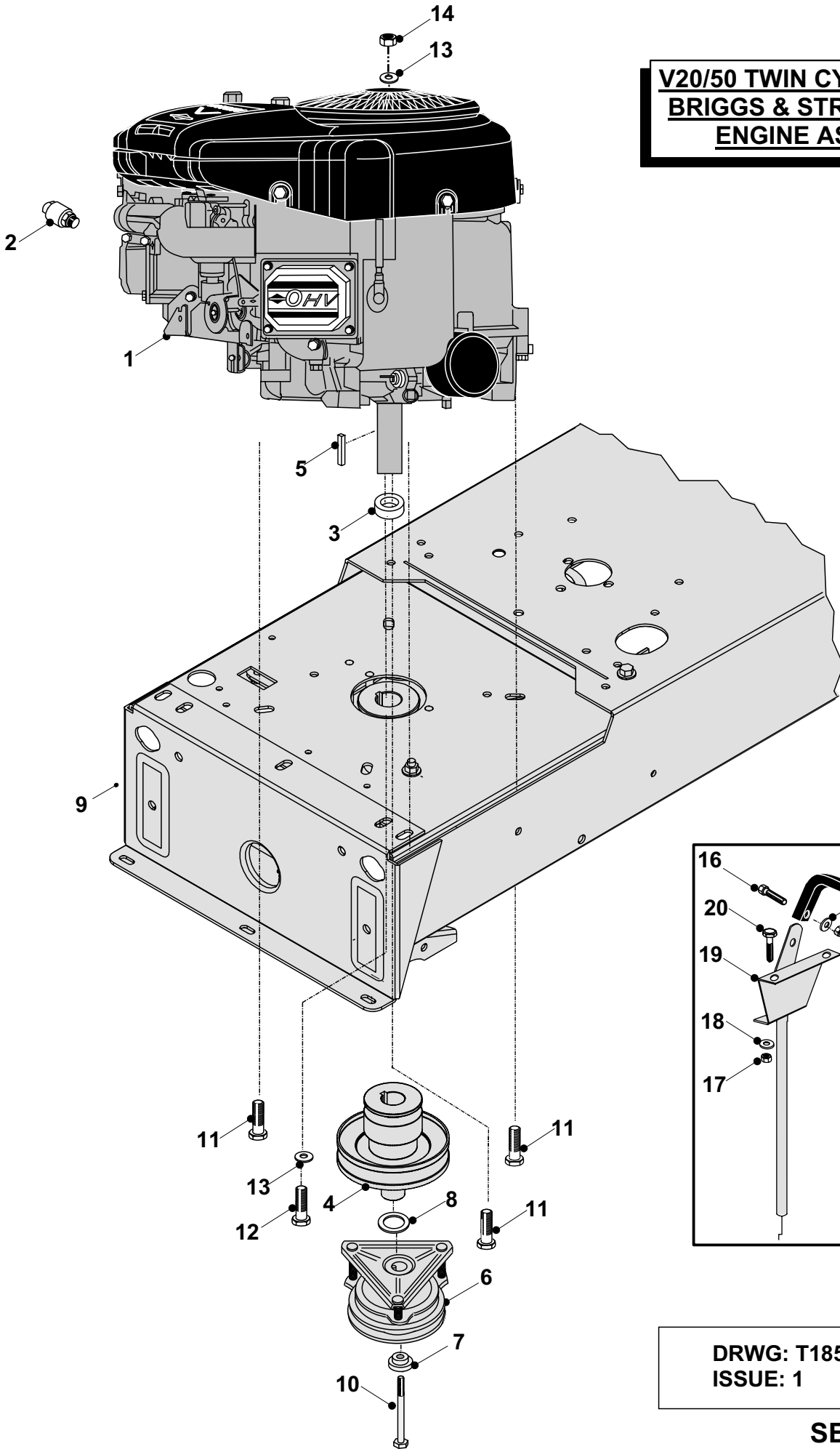
DRWG NO: T 1840201
ISSUE: 1

SECTION 1

**V20/50 TRACTOR
FRONT AXLE ASSEMBLY PARTS LIST**

	PART DESCRIPTION	PART NUMBER
1	Nyloc Nut M8	04920100
2	Washer M8	088000200
3	Front Axle Holder	27115550
4	Bullbar	327174900
5	Bolt M8 x 30mm	018001600
6	M/Screw M8 x 20mm	02827600
7	Axle Beam	327014700
8	Deck Tension Cradle	327009800
9	Bolt 3/8" x 2.1/4" UNF	01821500
10	M/Screw M8 x 28mm	01902300
11	Washer T3 HP	08820100
12	Nyloc Nut 3/8" UNF	04820200
13	Stub Axle R.H.	327178200
14	Stub Axle L.H.	327178300
15	Bearing 40mm x 3/4" bore	10802200
16	Steering Link Rod End Spacer	183012800
17	Steering Link Short Spacer	183012700
19	Bolt M12 x 80mm	019478500
20	Nyloc Nut M10	04886100
21	Stub Axle Spacer	183006200
22	Track Rod	183017000
23	Nut M12	049381200
24	Circlip External 19mm	07921200
25	Hub Cap Axle Beam	27113900
26	Steering Arm	327177000
27	Washer M10	088001300
28	Bolt M10 x 60mm	018003900
29	Galvanised Washer 32mm x 19.5mm	30127900
30	Rod End M12	10872800
31	Galvanised Washer 46mm x 13mm	30128100
32	Washer 3/4" T3 LP	08822900
33	Bearing 62032RS 3/4"	10802200
34	Front Wheel Complete	198001400
34a	Wheel Rim	198000700
35	Front Tyre	198000600
35a	Valve	14889200
36	Washer 1" x 1/2" ID	08822500
37	Washer 46mm x 13mm ID	30128100
38	Nyloc Nut 1/2" UNC	04875000
39	Hub Cap	14811800
40	Chassis	327066301
41	Nut Nyloc M12	049381100

**V20/50 TWIN CYLINDER
BRIGGS & STRATTON
ENGINE ASSY**



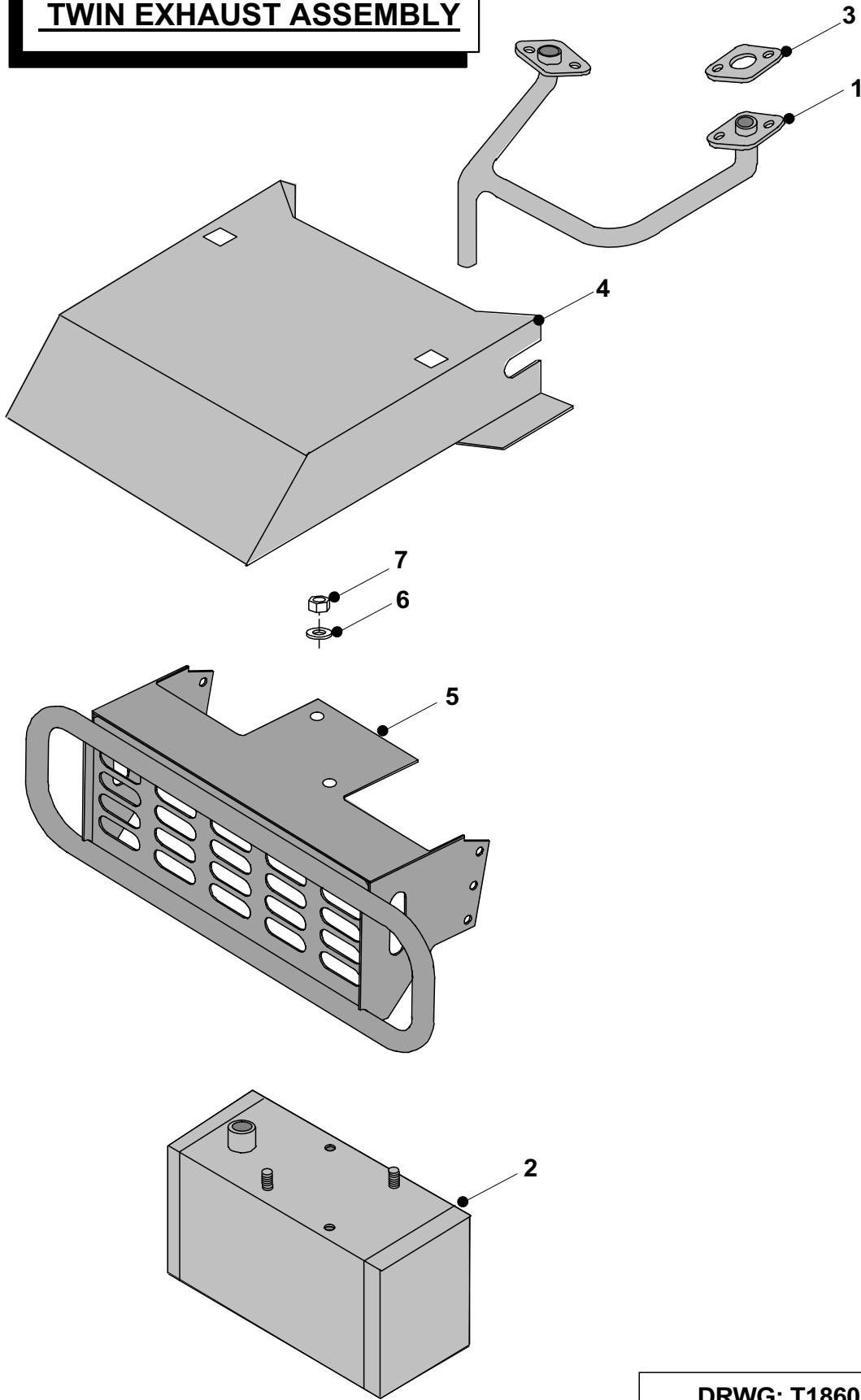
**DRWG: T1850201
ISSUE: 1**

SECTION 2

**V20/50 TRACTOR
ENGINE ANCILLARY PARTS LIST**

	PART DESCRIPTION	PART NUMBER
1	Engine - Not Available From Countax	N/A
2	Oil Drain Valve	52851200
3	Engine Pulley Spacer	31854000
4	Engine Pulley	327007700
5	Key 1/4" Square x 1.1/4"	09853400
6	Warner Electric Clutch	44815200
7	Pulley Cap	183016800
8	Clutch Spacer	31330300
9	Chassis	327066301
10	Bolt 7/16" UNF x 6"	01853300
11	Bolt Taplight 3/8" UNC x 1.1/4"	01848700
12	Bolt 5/16" UNF x 1.1/2"	01820700
13	Washer 5/16" T4 HP	08819700
14	Nut 5/16" UNF Nyloc	04826400
15	Throttle Control Knob	14810400
16	Screw M4 x 12mm Pozi Pan Hd	02826300
17	Nut M4 Nyloc	04826400
18	Washer 4mm	08826200
19	Throttle Control Twin Cylinder Model	528004600
20	Screw M4 x 12mm Pozi Pan Hd	02826300
21	Choke Control – Twin Cylinder only	RCL29005800

**V20/50 SERIES
TWIN EXHAUST ASSEMBLY**



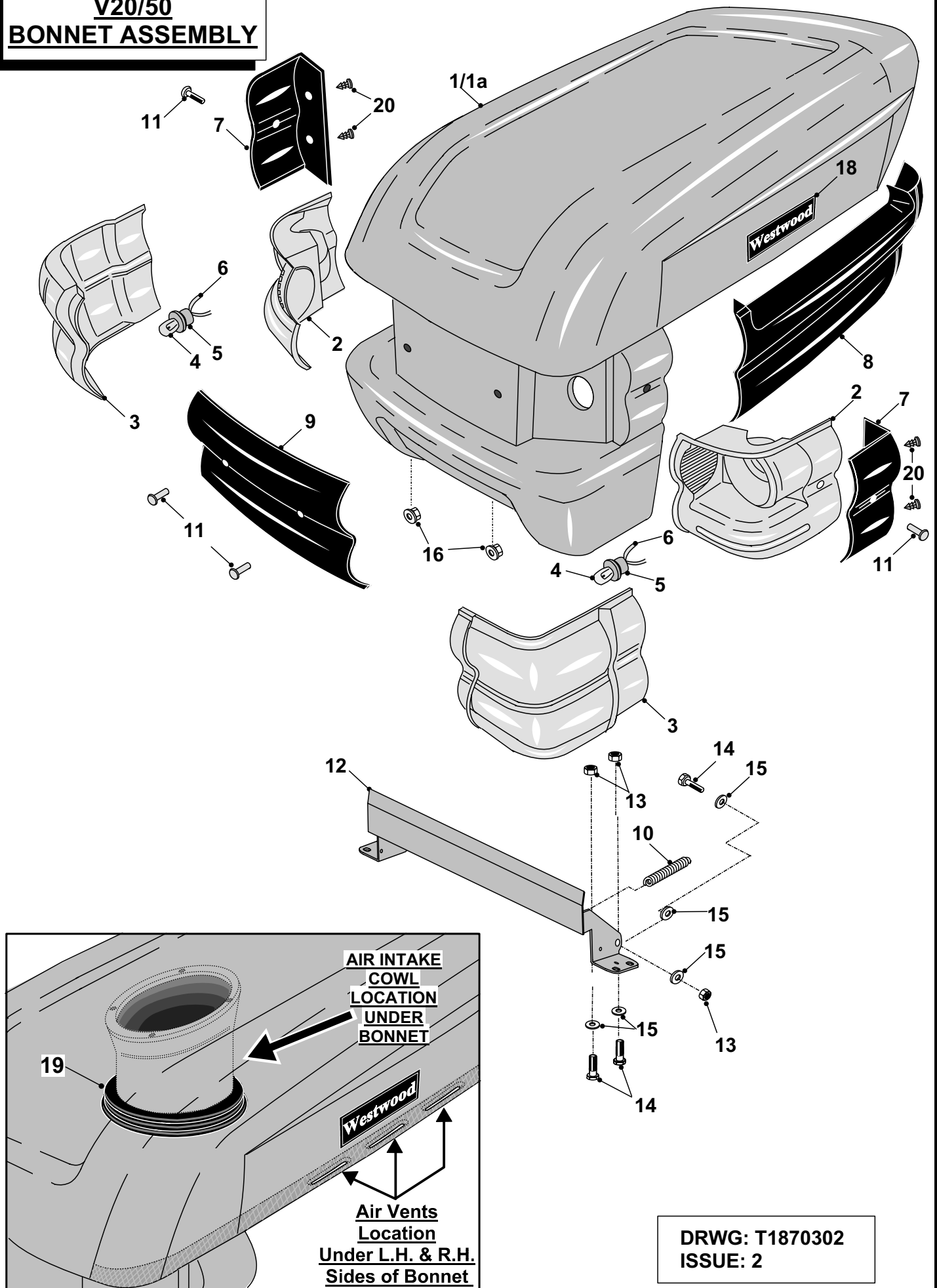
DRWG: T1860201
ISSUE: 1

SECTION 3

**V20/50 TRACTOR
EXHAUST ASSEMBLY PARTS LIST**

	PART DESCRIPTION	PART NUMBER
1	Exhaust Manifold	327172300
2	Exhaust Box	52850200
3	Exhaust Gasket	(Supplied by Briggs & Stratton)
4	Heat Shield	52100000
5	Bullbar Assembly	327174900
6	Washer 1/4" Shakeproof	08824200
7	Nut 1/4"	04938100
8	Exhaust Paste (Not Illustrated)	52923800

**V20/50
BONNET ASSEMBLY**

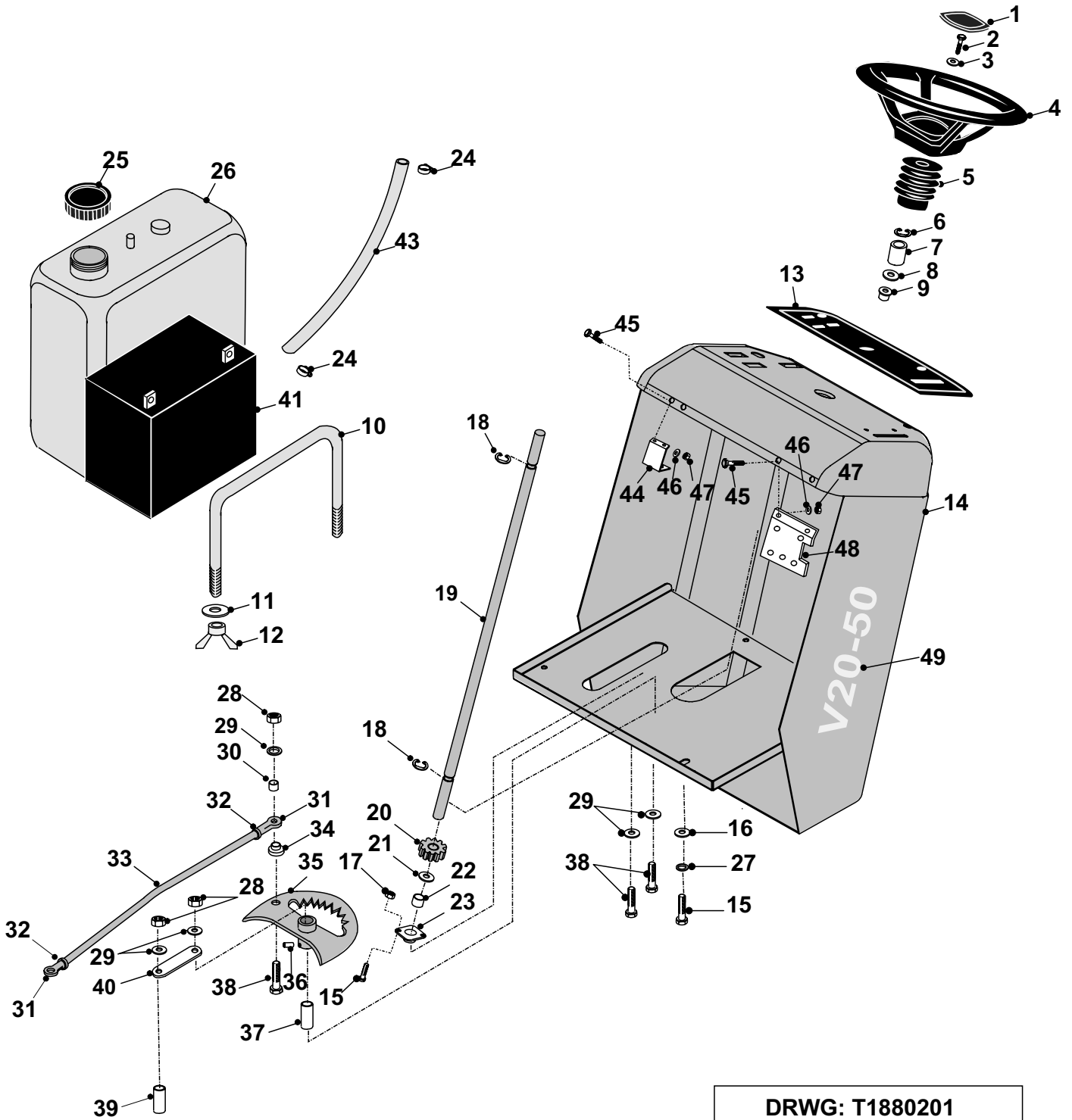


DRWG: T1870302
ISSUE: 2

**V20/50 TRACTOR
BONNET ASSEMBLY PARTS LIST**

	PART DESCRIPTION	PART NUMBER
1	V20/50 Bonnet Assembly Complete (includes items 1a, 2, 3, 4, 5, 6, 7, 9, 11, 16, 18, 19 & 20)	408020500
1a	V20/50 Bonnet	148012100
2	Headlamp Reflector (L/H)	148011400
	Headlamp Reflector (R/H)	148011500
3	Headlamp Lens (L/H)	148011200
	Headlamp Lens (R/H)	148011300
4	Bulb 12V 21W	44816200
5	Bulb Holder	44816100
6	Light Loom	44813900
7	Fixing Panel (L/H)	148011700
	Fixing Panel (R/H)	148011800
8	Engine Side Panel (L/H)	148011900
	Engine Side Panel (R/H)	148012000
9	Front Fixing Panel	148011600
10	Bonnet Spring	25805200
11	Bolt Flanged Button Head M5 x 25mm	018003700
12	Bonnet Hinge	327181400
13	M8 Nyloc Nut	04822300
14	Bolt M8 x 25mm	01902300
15	Washer M8	088000200
16	Jacknut M5	048001400
18	Side Bonnet Decal `Westwood`	358026100
19	Cowl Trim	4832
20	Fir Tree Fixing	148012300

V20/50 SERIES CONSUL ASSEMBLY



DRWG: T1880201
ISSUE: 1

SECTION 5

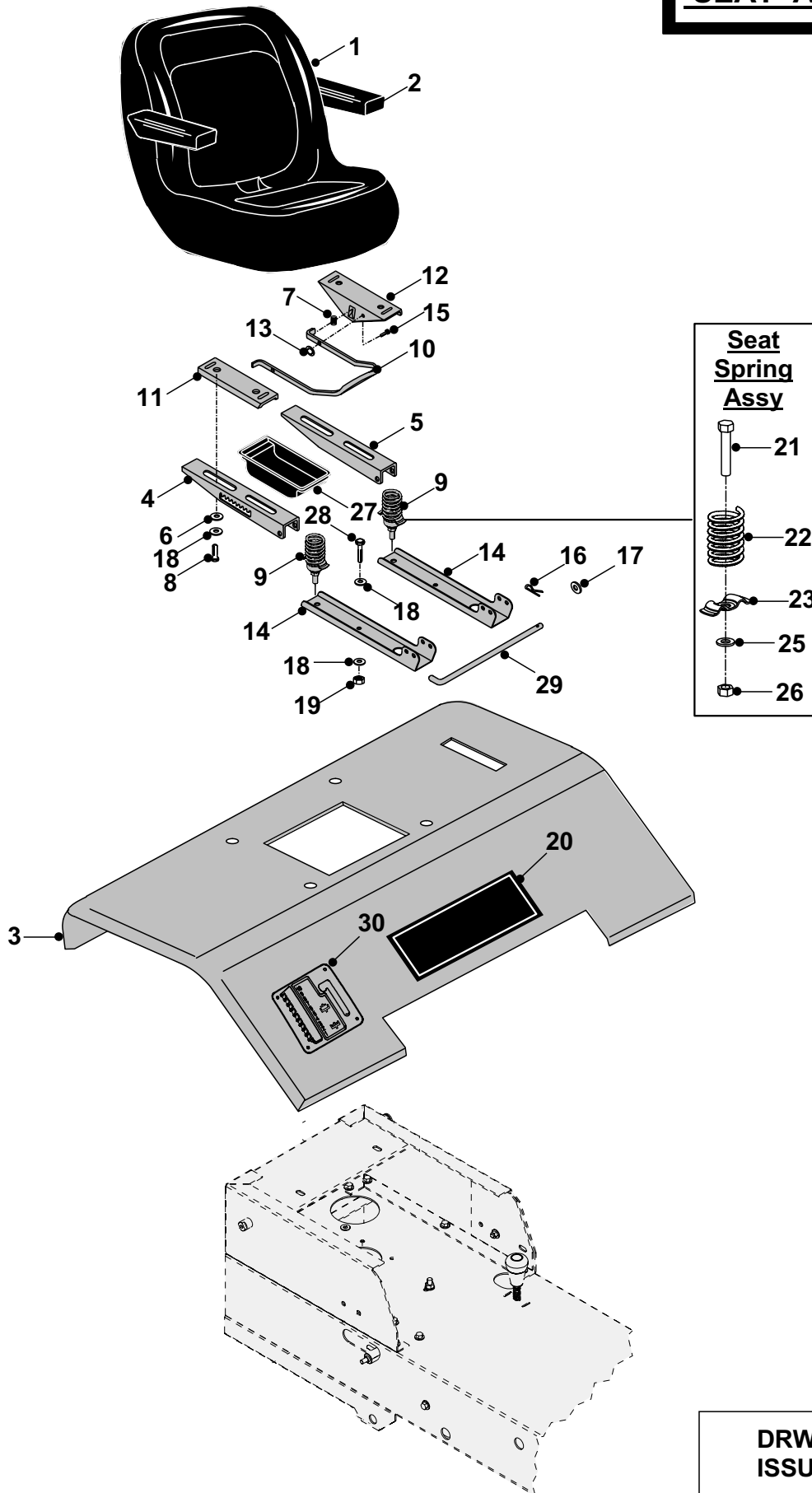
**V20/50 TRACTOR
CONSOL ASSEMBLY PARTS LIST**

	PART DESCRIPTION	PART NUMBER
1	Steering Wheel Cap	14938700
2	Bolt 5/16" UNF X 1"	02819600
3	Washer 5/16" T4	08819700
4	Steering Wheel	14928200
5	Gaiter	9426
6	E-Clip 5/16"	07823800
7	Steering Column Spacer	183025200
8	Washer 5/8" x 1.1/4" T3	08822700
9	Steering Column Bush	14801800
10	Battery Clamp	313008500
11	Washer 1/4" T4 HP	08874300
12	Wing Nut	04822600
13	Dashboard Decal – 2 Switch	358010500
14	Consol Assembly	327174400
15	Bolt 5/16" UNF X 3/4"	02827600
17	Nyloc Nut M8	04920100
18	E-Clip 5/8"	07823400
19	Steering Consol	31328400
20	Steering Pinion	213112100
21	Washer 5/8" T3 LP	08822700
22	Steering Rod Spacer	18401500
23	Column Lower Bearing	10801700
24	Jubilee Clip	11856900
25	Fuel Tank Cap	3963
26	Fuel Tank	3960
27	Washer Shakeproof M12	049381300
28	Nyloc Nut M12	088001200
29	Washer M12	088001200
30	Spacer	183012800
31	Track Rod End M12	10872800
32	Locknut M12	049381200
33	Steering Link Rod	313007400
34	Shoulder Boss - Short	31339600
35	Steering Quadrant	327015801
36	Grease Nipple 5/16" UNF	11808600
37	Steering Rack Pivot	31337400

**V20/50 TRACTOR
CONSOL ASSEMBLY PARTS LIST**

	PART DESCRIPTION	PART NUMBER
38	Bolt M12 x 60mm	019478800
39	Steering Support Boss	31337500
40	Steering Link Plate	27102400
41	Battery	458141200
42	Spring Type Hose Clip	11867100
43	Fuel Feed Pipe	3859
44	Fuel Tank Bracket	8202
45	Hex Head Screw M5 x 12mm	02911600
46	Washer M5	08911500
47	Nut Nyloc M5	04911400
48	Solenoid Bracket	8906
49	Side Consul Decal `V20-50`	359502400

**V20/50 SERIES
SEAT ASSEMBLY**



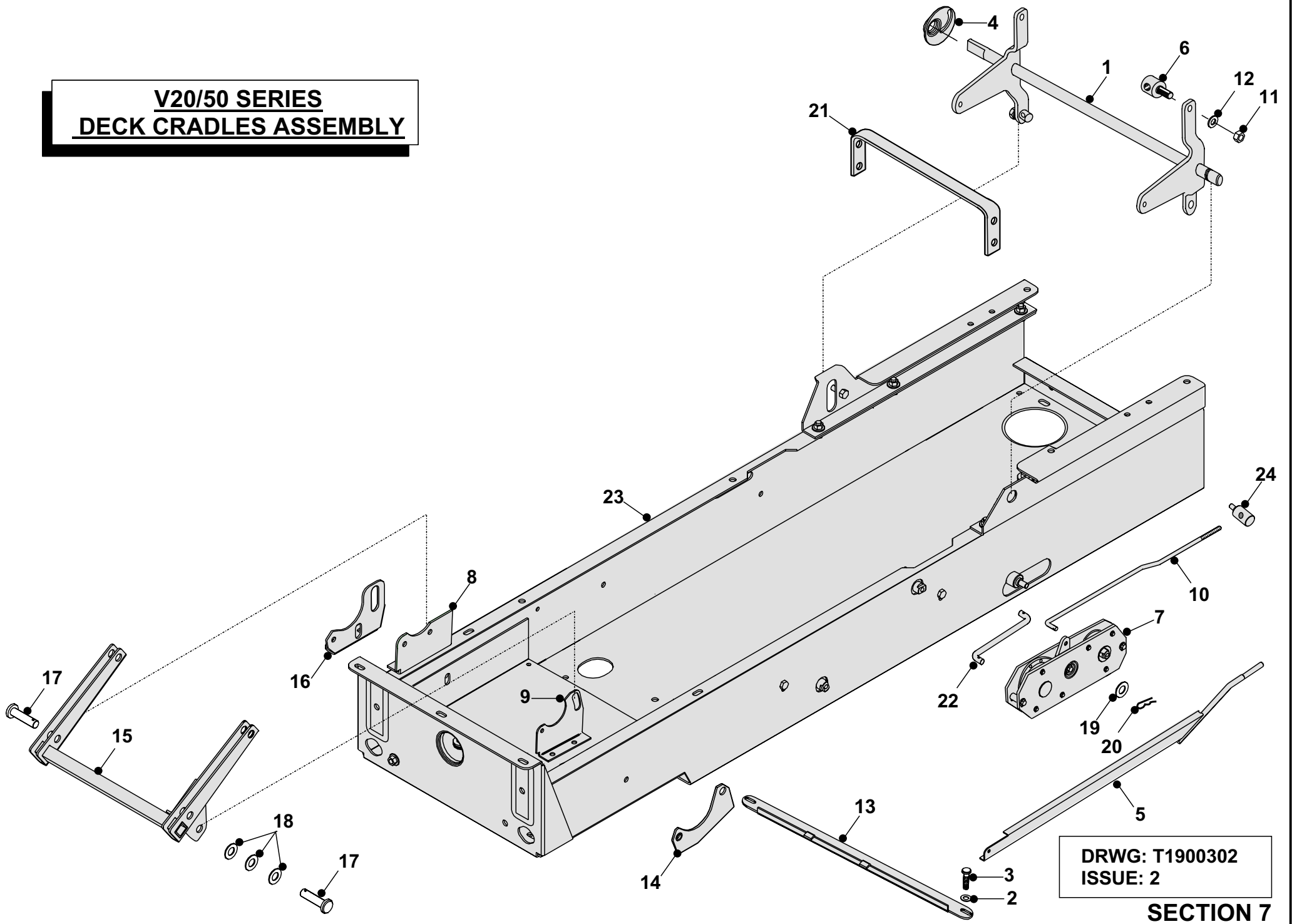
DRWG: T1890201
ISSUE: 1

SECTION 6

**V20/50 SEAT ASSEMBLY
PARTS LIST**

	PART DESCRIPTION	PART NUMBER
1	Seat	148002000
2	Arm Rest	148002101
3	Rear Body Panel	307183900
4	Adjustable Seat Channel R/H	30117700
5	Adjustable Seat Channel L/H	30117800
6	Washer 40 x 10mm HG	08118200
7	Compression Spring Universal	25831100
8	Bolt M8 x 20mm	02827600
9	Seat Spring	405003200
10	Seat Handle	30203100
11	Seat Plate Adjuster R/H	30117900
12	Seat Plate Adjuster L/H	30118000
13	Starlock Washer	08868700
14	Seat Channel LH	30117900
	Seat Channel RH	30118000
15	Rivet 1/4" x 1/2"	012885800
16	R Clip 2mm	06849100
17	Washer 5/16" T3 LP	08819500
18	Washer 5/16"	08819700
19	Nyloc Nut 5/16" UNF	04827500
20	Decal (V20/50 Mulcher)	358022400
21	Bolt 3/8" UNF x 1.1/2"	01855000
22	Adjustable Seat Spring	25845600
23	Spring Retaining Washer (Seat)	27835400
25	Washer 3/8" T3 HP	08820100
26	Nut 3/8" UNF Nyloc	04820200
27	Tool Tray	148003700
28	Bolt 5/16" UNF x 3/4"	31334800
29	Seat Pivot Rod	31301800
30	Deck Height Gate	307184000

**V20/50 SERIES
DECK CRADLES ASSEMBLY**



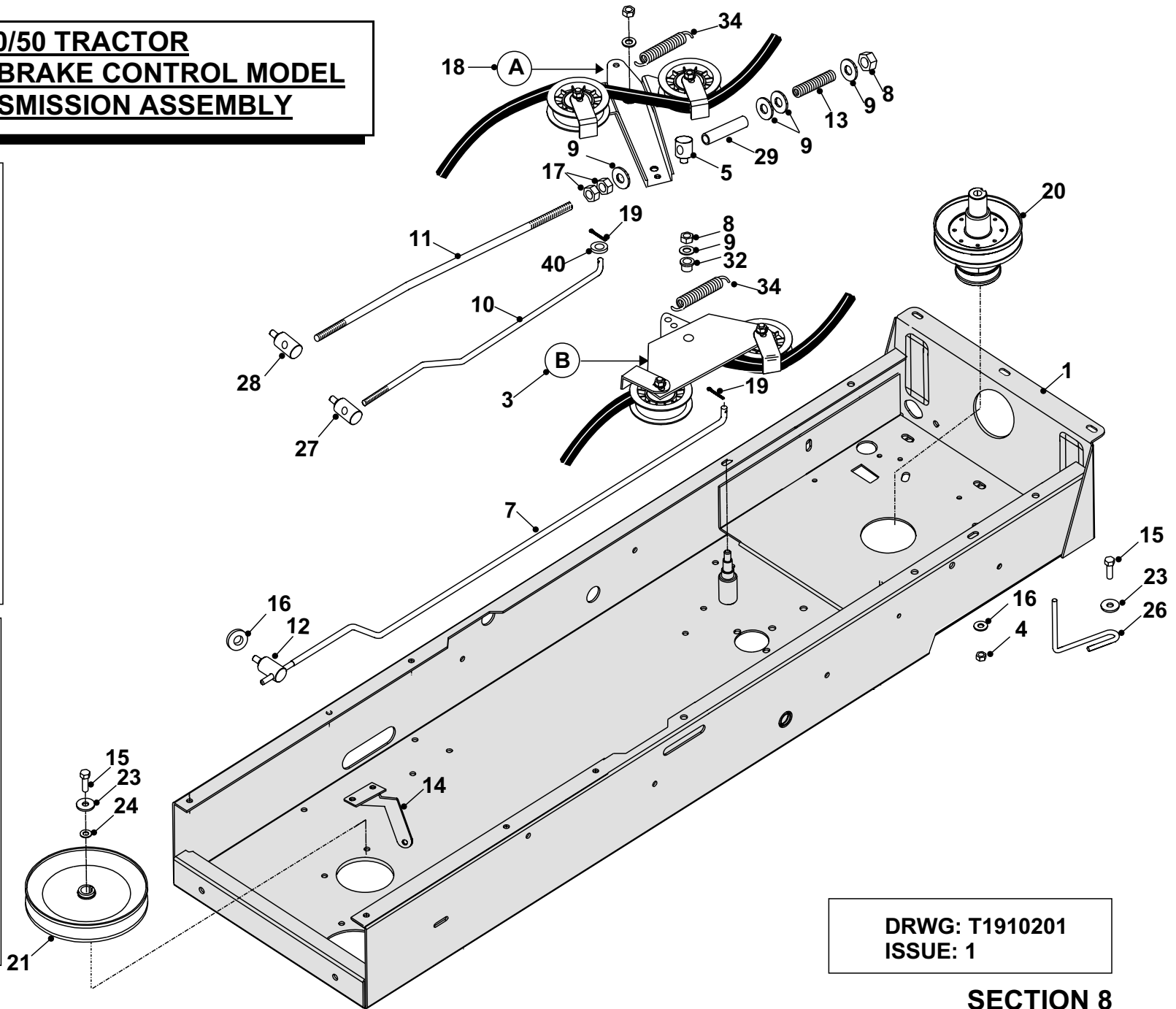
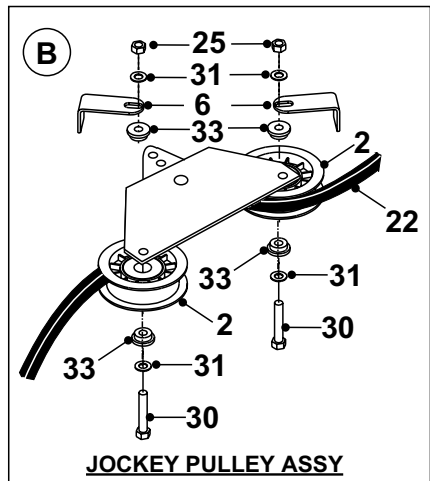
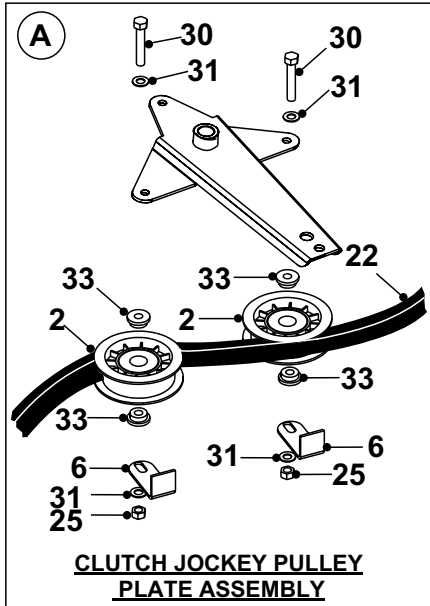
DRWG: T1900302
ISSUE: 2

SECTION 7

**V20/50 DECK CRADLES ASSEMBLY
PARTS LIST**

	PART DESCRIPTION	PART NUMBER
1	Rear Deck Cradle	328954200
2	Washer 5/16" UNF	08819700
3	Bolt 5/16" UNF x 3/4"	02827600
4	Rear Deck Level Cam	30117601
5	Deck Level Bar	327007900
6	Deck Level Trunnion	189497900
7	Transmission Cassette	405006000
8	LH Front Deck Level Bracket	301053900
9	RH Front Deck Level Bracket	301054000
10	Forward / Reverse Rod	318951700
11	Nut M8	04920100
12	Washer M8	088000200
13	Clutch Bar	302005100
14	Deck Adjustment Bracket	301040200
15	Deck Front Carry (Front)	327006800
16	Deck Lever Bracket	301040000
17	Deck Swing Lift Pin	31339400
18	Washer 1"	08823100
19	Washer 3/8" T3 HP	08820100
20	R-Clip	11836700
21	Deck Lift Cradle Rear	292002000
22	Cassette Link Rod	327175600
23	Chassis	327066301
24	Reverse Trunnion	189497200

**V20/50 TRACTOR
HAND CLUTCH/BRAKE CONTROL MODEL
P.T.O TRANSMISSION ASSEMBLY**

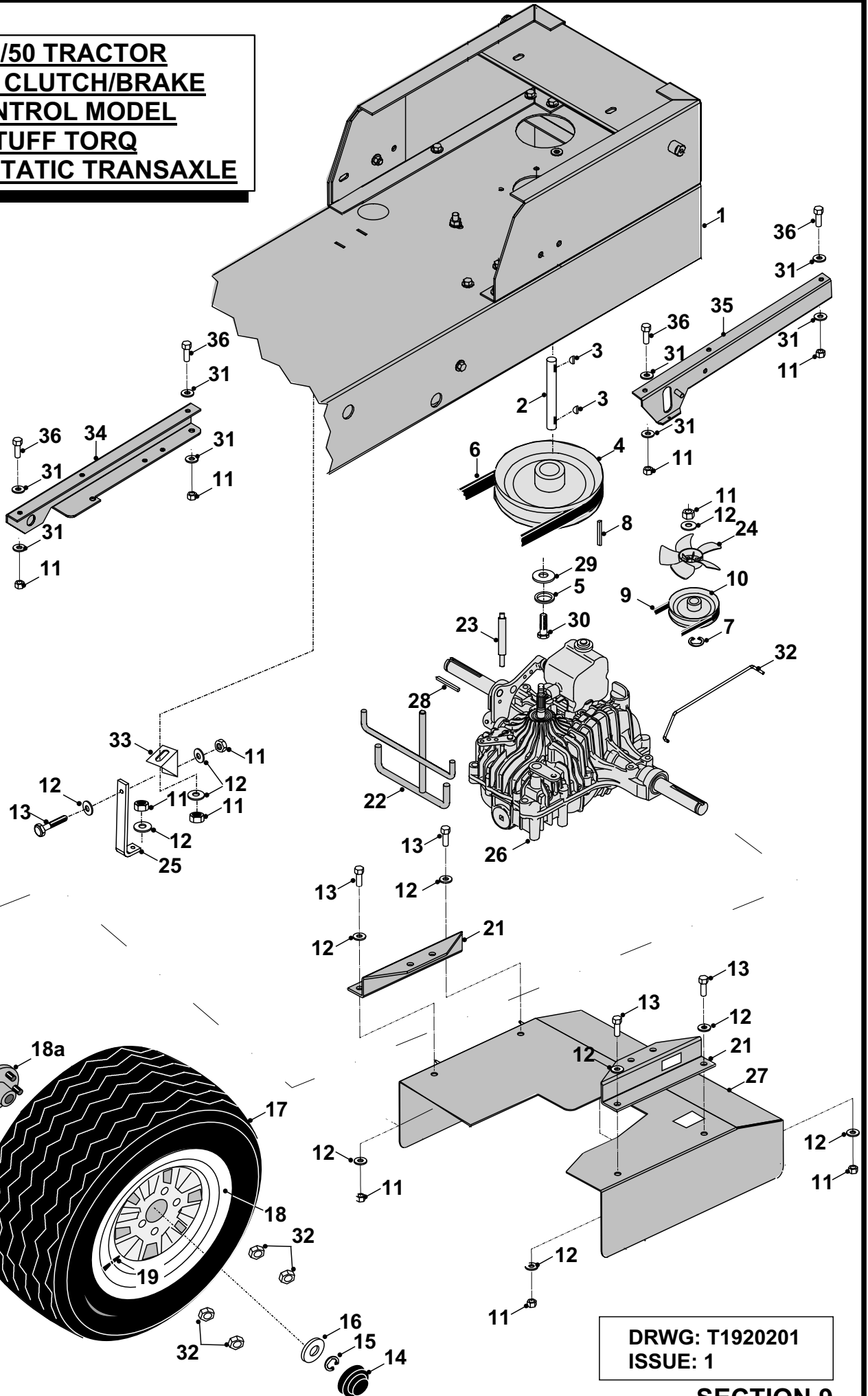


**DRWG: T1910201
ISSUE: 1**

**V20/50 TRACTOR
HAND CLUTCH / BRAKE CONTROL MODEL
P.T.O. & TRANSMISSION DRIVE ASSEMBLY
PARTS LIST**

	PART DESCRIPTION	PART NUMBER
1	Chassis	327066301
2	Jockey Pulley	20811500
3	Jockey Pulley	321122700
4	Nyloc Nut 5/16" UNF	04827500
5	Trunnion Jockey Plate	183018600
6	Belt Retaining Bracket	27105800
7	PTO Engage Rod	313010801
8	Nut Nyloc 3/8" UNF	04820200
9	Washer 3/8" T3	08820100
10	Transmission Rod	313018600
11	Park Brake Engine Rod	313010701
12	PTO Engage Trunnion	18806100
13	Compression Spring Brake Rod	259405100
14	Spring Finger Plate	301119600
15	M/Screw 5/16" x 1"	02819600
16	Washer 5/16" T4 HP	08819700
17	Nut 3/8" Lock Nut Steel	049381400
18	Clutch Jockey Pulley Plate	321122300
19	Split Pin 1/8" x 1"	06823300
20	Engine Pulley	327006500
21	Transaxle Pulley	20870700
22	Belt Dayco Super II A91	228001500
23	Washer 5/16" UNF	08819800
24	Shakeproof Internal Washer	08855100
25	Nyloc Nut 5/16" UNF	04827500
26	Front Belt Retaining Rod	313006200
27	Transmission Trunnion	183023200
28	Trunnion Park Brake Rod	183018400
29	Brake Rod Tube	183019100
30	Bolt 5/16" x 1.3/4" UNF	01820800
31	Washer 5/16"	08819500
32	Flanged Oilite Bush	52824700
33	Sweeper Jockey Cap Boss	31351100
34	Spring Belt Tension	25849600

**V20/50 TRACTOR
HAND CLUTCH/BRAKE
CONTROL MODEL
TUFF TORQ
HYDROSTATIC TRANSAXLE**



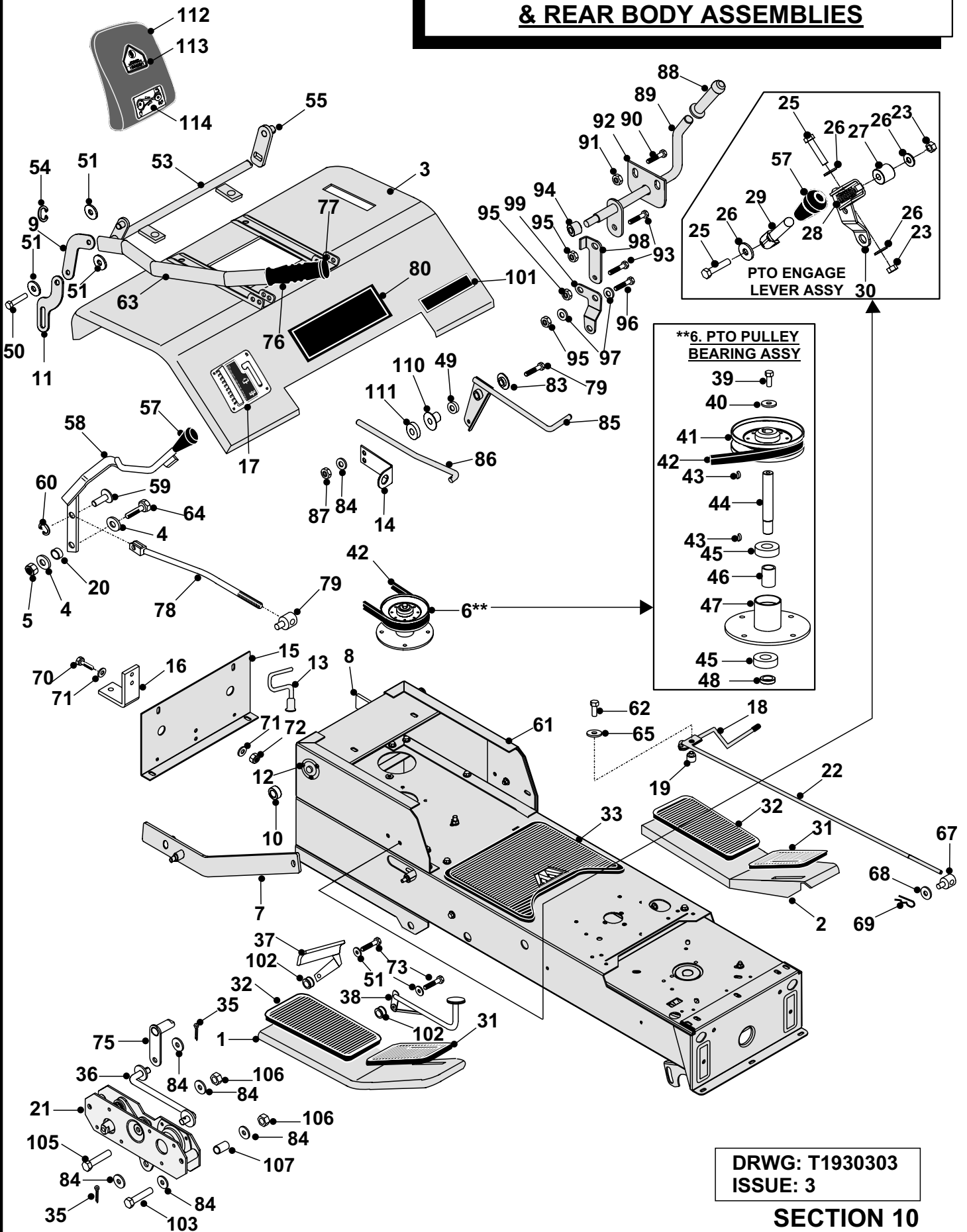
**DRWG: T1920201
ISSUE: 1**

SECTION 9

**V20/50 TRACTOR HAND CLUTCH / BRAKE CONTROL MODEL
TUFF TORQ HYDROSTATIC
PARTS LIST**

	PART DESCRIPTION	PART NUMBER
1	Chassis	327066301
2	P.T.O. Shaft	31306000
3	Woodruff Key	09823900
4	Pulley 7"	20870700
5	Washer 5/16" Shakeproof	08855100
6	Belt Dayco A91 Super II	228001500
7	Circlip 14mm External	07906600
8	Key	09830700
9	Belt A91 Dayco Super 2	228001500
10	Transaxle Pulley	20904400
11	Flange Nut Nyloc M10	049381600
12	Washer 320d x 10.5 i.d. x 3thk	089418800
13	Bolt M8 x 20mm	02827600
14	Hub Cap	14811800
15	Circlip 25mm External	078000500
16	Thrust Washer	307191900
17	Rear Wheel Complete	198001500
18	Rear Tyre	198000400
	Grease Nipple	11898800
	`O' Ring	24898700
	Washer 5/16" Shakeproof	08823500
18a	Rear Wheel Hub	198000500
19	Valve	14889200
20	Washer 3/4" T3 LP	08822900
21	Deflector Mounting Bracket	301119500
22	Belt Tree	327021800
23	Transaxle Steady LH	313019100
24	Fan K62 Transaxle	148008000
25	Transaxle Steady RH	292003500
26	Tuff Torq K62 Transaxle	478000400
27	Transaxle Deflector	301119700
28	Key 2" x 3/16"	09830700
29	Washer 5/16" ID x 1" OD	08819800
30	Bolt 5/16" UNF x3/4"	02827600
31	Washer 5/16" T4 HP	08819700
32	Wheel Nut	048000800
33	Torque Bracket	30137700
34	RH Transaxle Bracket	327009300
35	LH Transaxle Bracket	301041700
36	M/Screw 5/16" x 1" UNF	02819600

**V20/50 TRACTOR
HAND CLUTCH/BRAKE CONTROL MODEL
RUNNING BOARD
& REAR BODY ASSEMBLIES**



DRWG: T1930303
ISSUE: 3

SECTION 10

**V20/50 HAND CONTROL MODEL
RUNNING BOARD
& REAR BODY ASSEMBLIES
PARTS LIST**

	PART DESCRIPTION	PART NUMBER
1	Running Board R/H	327180500
2	Running Board L/H	327180400
3	Rear Body Panel	307183900
4	Washer 5/16 T4 HP	08819700
5	Nut 5/16" UNF Nyloc	04827500
6	5" PTO Pulley Bearing	208000400
7	Sweeper Lift Arm R/H	327180800
8	Sweeper Lift Arm L/H	327180900
9	Sweeper Lift Upper Link	307184200
10	Sweeper Lift Bar Spacer	31323500
11	Sweeper Lift Lower Link	307184600
12	Bearing 6203	10802200
13	Sweeper Belt Retaining Pin	32723800
14	Park Brake Switch Plate	307190600
15	Rear Chassis Panel	301041600
16	Tow Bracket	29200101
17	Deck Height Gate	307184000
18	Deck Tension Lever	321122800
19	Deck Tension Lever Boss	18317000
20	Deck Height Pivot Boss Spacer	18317400
21	Transmission Cassette	405006000
22	Deck Tension Rod	31805601
23	Nyloc Nut 5/16" UNF	04827500
25	Screw 5/16" UNF x 1"	01820700
26	Washer 5/16" x 1"	08819800
27	Sweeper Internal Roller Spacer	31329201
28	Compression Spring Universal	25831100
29	PTO Engage Lever	32708700
30	PTO Lever Plate	30134501
31	Foot Mat Front L/H	148009900
31	Foot Mat Front R/H	148010000
32	Foot Mat Rear L/H	148010400
32	Foot Mat Rear L/H	148010300
33	Centre Mat	148010200
35	Split Pin 1/8" x 1"	07823300
36	Forward / Reverse Cassette Rod	313018900

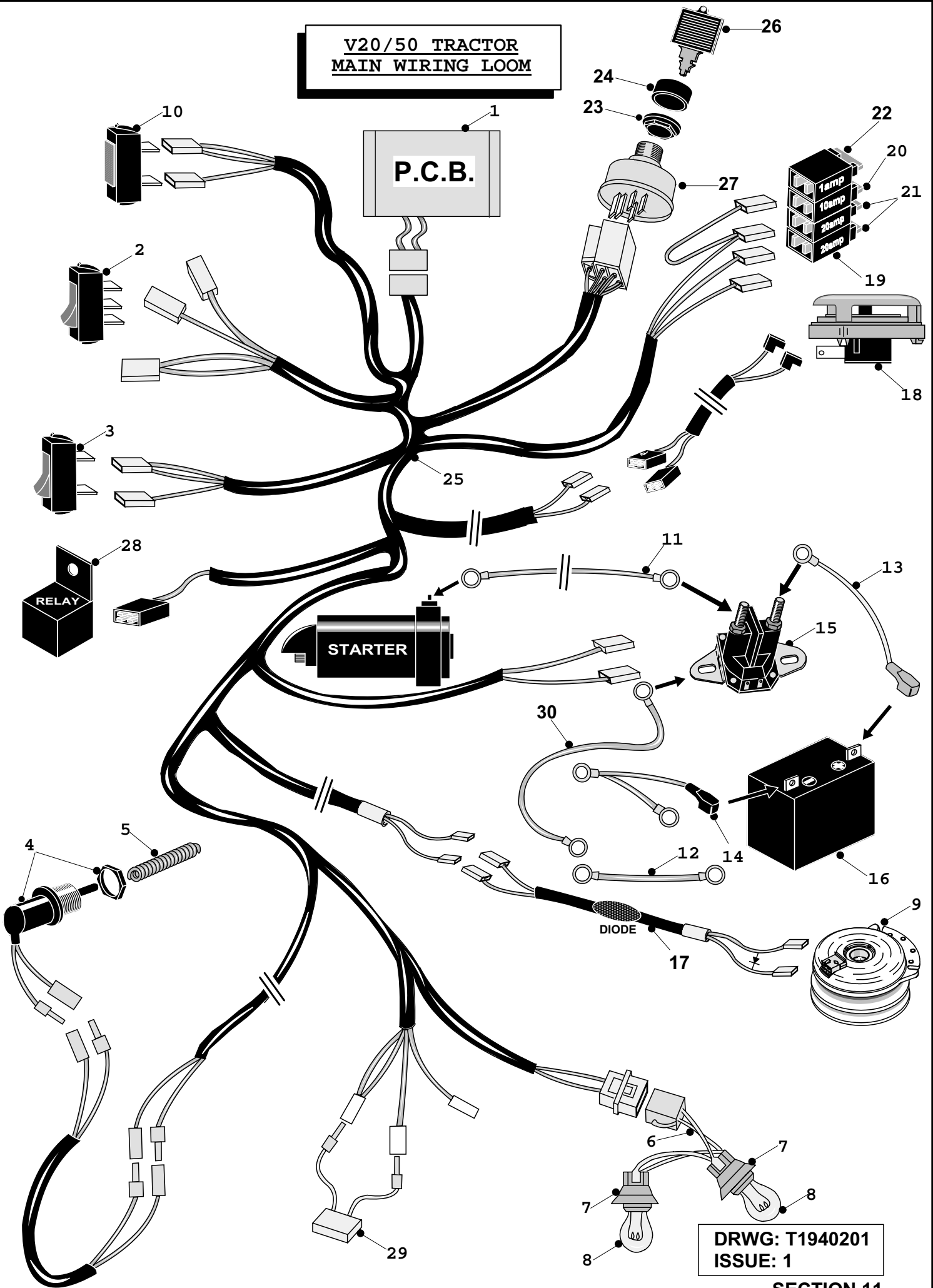
**V20/50 HAND CONTROL MODEL
RUNNING BOARD
& REAR BODY ASSEMBLIES
PARTS LIST**

37	Forward Pedal	302014200
38	Reverse Pedal	327180600
39	Hex Head Screw	02827600
40	Washer 5/16" ID x 1"	08819800
41	5" PTO Pulley	208000400
42	Belt Dayco Super A54	228001900
43	Woodruff Key	09835300
44	PTO Shaft	32306000
45	Bearing	10802200
46	PTO Centre Spacer	31334800
47	PTO Bearing Housing	32700301
48	PTO End Spacer	31334800
49	Washer 1/2" x 1"	08822500
50	Bolt 5/16" UNF 3/4"	02827600
51	Washer 5/16" T4	08819700
53	Sweeper Lift Handle Tube	327181000
54	E-Clip M12	078000800
55	Cross Shaft Link Bar	327180700
57	Lever Knob	14804800
58	Deck Height Lever	327360600
59	Clevis Pin	31340800
60	Circlip 3/8" External	07846800
61	Rear Seat Box	327010400
62	Bolt 5/16" UNF x 1.75	01820800
63	Sweeper Lift Handle	327181200
64	Bolt M8 x 20mm	018001800
65	Washer 5/16" T4 HP	08819700
67	Trunnion	18805500
68	Washer M8	08820100
69	R-Clip	11836700
70	Bolt M10	01915300
71	Washer M10	088001300
72	Nut M10	04872100
73	Bolt 1/4" X 1"UNF	01844700

**V20/50 HAND CONTROL MODEL
RUNNING BOARD
& REAR BODY ASSEMBLIES
PARTS LIST**

75	Link Rod	327022200
76	Soft Foam Grip	38926500
77	Soft Foam End Plug	14880500
78	Deck Height Adjustment Yoke	327180300
79	Bolt 5/16" x 2" UNF	01820900
80	Decal	358022400
83	Pivot Spacer	31306100
84	Washer 5/16"	08819700
85	Pedal Plate	321122200
86	Diff. Lock Control Rod	313010400
87	Nut 5/16" Nyloc	04827500
88	Hand Brake Knob	187185000
89	Park Brake Lever	327022101
90	Bolt M6 x 20mm	018000300
91	Nut M6	04920500
92	Park Brake Lever Support Plate	301119100
93	Bolt M8 x 30mm	018001200
94	Park Brake Lever Spacer	183018700
95	Nut M8	04850600
96	Bolt M8 x 50mm	018001800
97	Washer 25mm	028001800
98	Park Brake Upper Link Plate	301120100
99	Park Brake Lower Link Plate	301120200
101	Decal IBS 50"	358010100
102	Pedal Spacer	321123400
103	Bolt 5/16" x 3" UNF	01832300
105	Bolt 5/16 x 2" UNF	01820900
106	Nut Nyloc 5/16"	04827500
107	PTO Bridge Spacer	31322200
110	Jockey Plate Pivot	31329000
111	Bridge Spacer	31326100
112	PTO Flap	149496300
113	PTO Danger Decal	35804600
114	Sweeper Belt Decal	35809400

V20/50 TRACTOR
MAIN WIRING LOOM



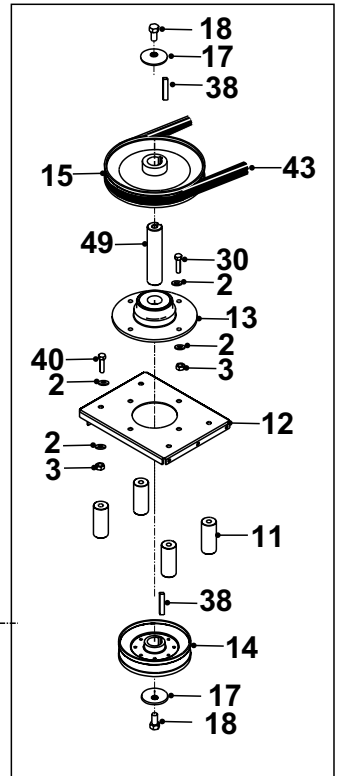
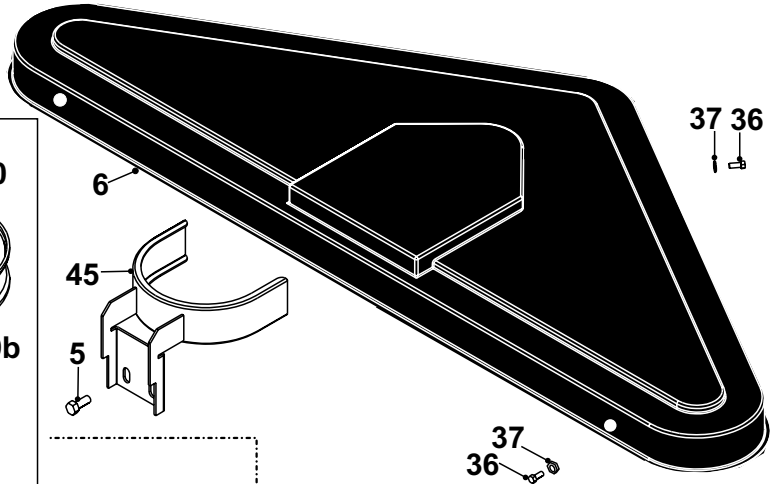
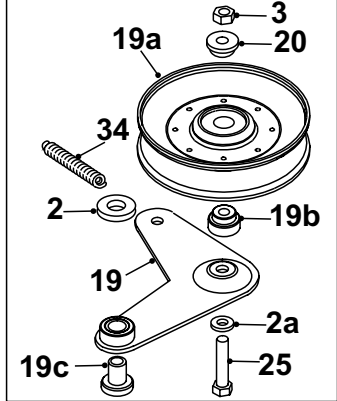
DRWG: T1940201
ISSUE: 1

V20/50 TRACTOR
MAIN WIRING LOOM
PARTS LIST

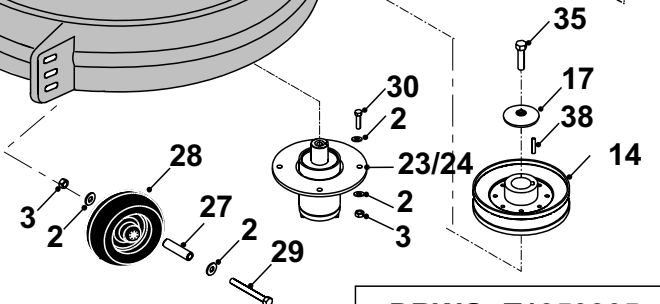
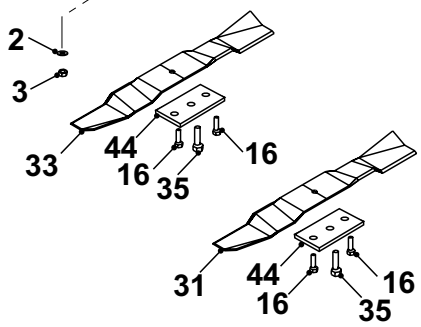
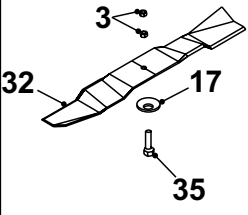
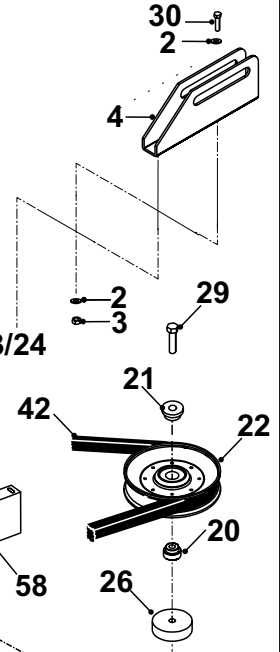
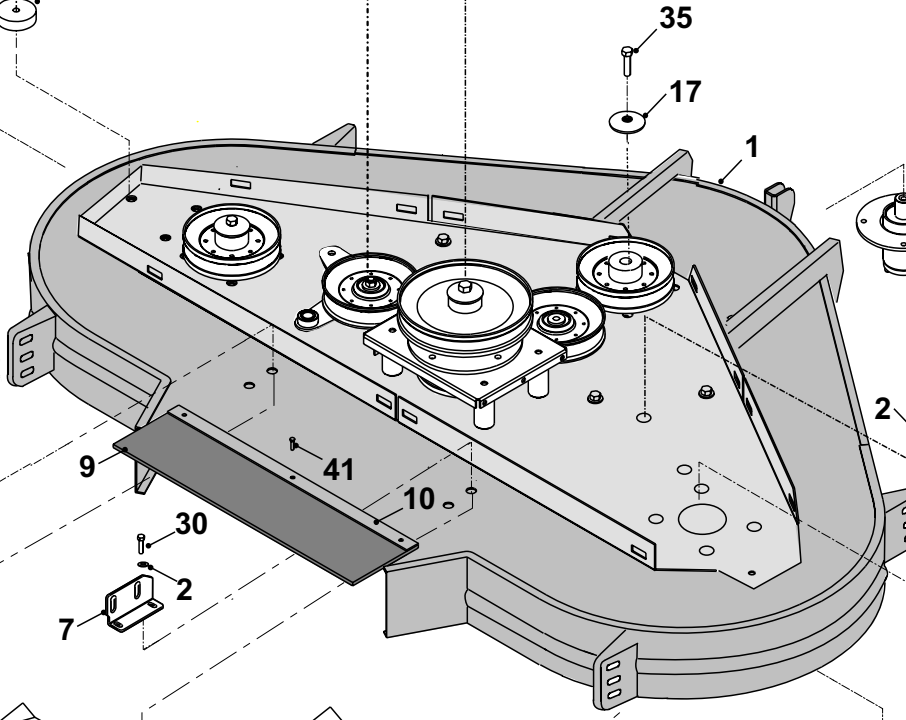
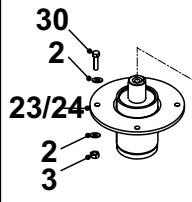
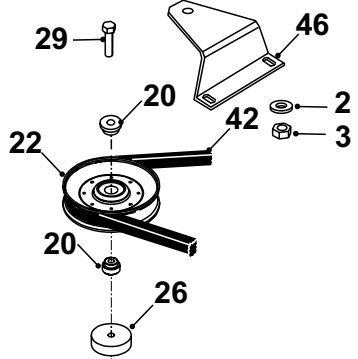
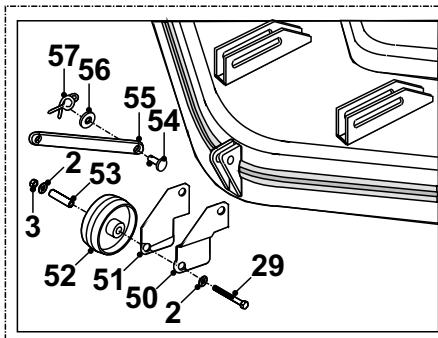
	PART DESCRIPTION	PART NUMBER
1	Printed Circuit Board	8062
2	Clutch Engage / Cutter Switch	8161
3	Light Switch	8160
4	Transmission Safety Switch	44945001
5	Safety Switch Spring	25813801
6	Headlight Loom	44946600
7	Bulb Holder	44816100
8	Bulb 12V 21W	44816200
9	Mag Stop Clutch	44815200
10	Ignition Light Switch	8841
11	Red Lead Battery to Solenoid	44812600
12	Black Lead Battery to Chassis	448006401
13	Battery Connector (+) (Red)	448006200
14	Battery Connector (-) (Black or Blue)	448006301
15	Solenoid	44814801
16	Battery 12V Sealed Gel type	458141200
17	Electric Clutch Diode Extension	448008100
18	Seat Switch	44949500
19	Fuse Holder	8176
20	Fuse Spade 10A	44889500
21	Fuse Spade 20A	44835000
22	Fuse Spade 1A	449559300
23	Ignition Fixing Nut	52813200
24	Ignition Cap Bezel	52813200
25	Main Loom (c/w clutch loom & light loom)	448006100
26	Ignition Key	52813000
27	Ignition Switch	44812900
28	Relay	449559100
29	Intek Loom Adaptor	448006900
30	Earth Lead	448007000

V20/50 SERIES REAR DISCHARGE DECK

Jockey Plate Assy



Central Platform Assy



DRWG: T1950305
ISSUE: 5

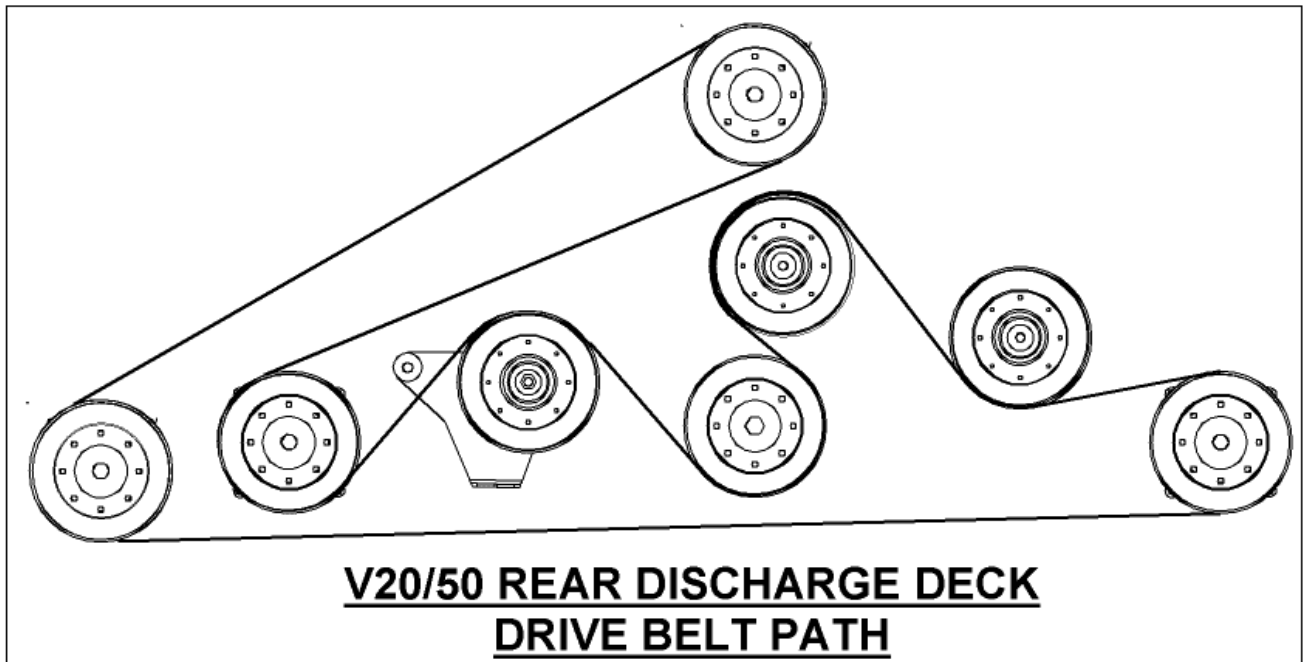
SECTION 12

V20/50 REAR DISCHARGE DECK
PARTS LIST

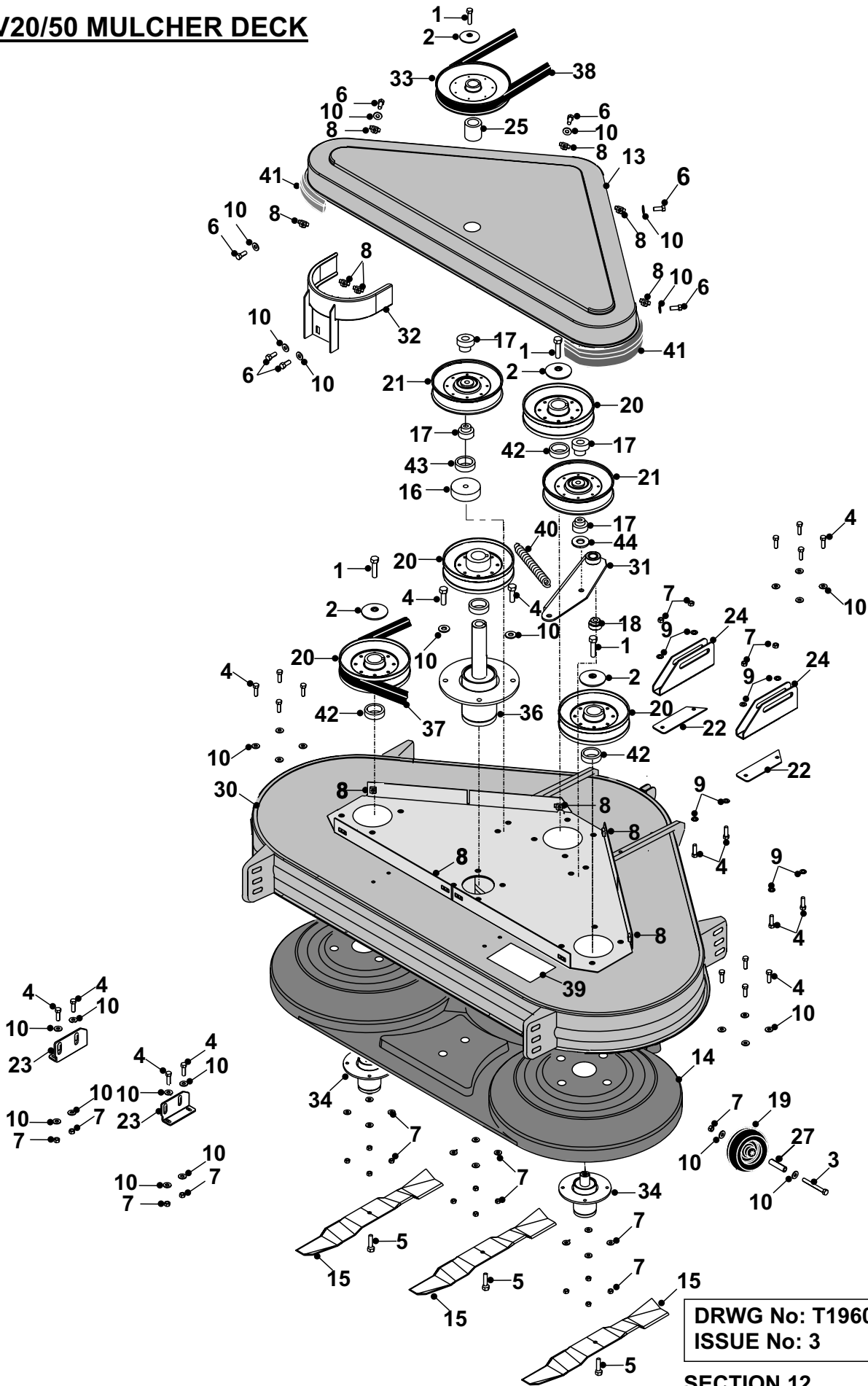
	PART DESCRIPTION	PART NUMBER
1	Rear Discharge Deck Welded	321001301
2	Washer M8 x 25 x 3mm	08819800
2a	Washer 5/16" UNF T3	08819500
3	5/16" UNF Nyloc Nut	04827500
4	Front Deck Hanging Bracket	302005000
5	Bolt M8	01852000
6	Rear Discharge Deck Cover	148005000
7	Rear Universal Deck Bracket RH	307186900
8	Rear Universal Deck Bracket LH	307186800
9	Rear Discharge Rubber Flap	148004900
10	Rear Discharge Rubber Fixing Strip	301050900
11	Rear Discharge Platform Spacer	183012000
12	Rear Discharge Platform	301050800
13	Rear Discharge Bearing Housing	405005000
14	Internal Deck Pulley 5"	20869500
15	Deck Drive Pulley 7"	20870200
16	Bolt 3/8" UNF x 1.1/4"	02820000
17	Dome Washer	08819900
18	3/8" UNF x 3/4" S/Screw	02874500
19	Rear Discharge Jockey Bracket	327021600
19a	Deck Idler Pulley c/w Bearing	20869600
19b	Jockey Wheel Spacer	18831600
19c	Deck Hanging Pivot	18321000
20	Jockey Wheel Spacer	18831600
21	Sweeper Jockey Cap Boss	31351100
22	Deck Idler Pulley	20869600
23	Short Shaft Bearing Housing with Studs	40503604
24	Short Shaft Bearing Housing	40503704
25	5/16" UNF x 1 1/4 Bolt	01820600
26	Deck Idler Pulley Spacer	18300420
27	Scuff Wheel Hub	31337600
28	Anti – Scalp Wheel	149495800
29	5/16" UNF x 2 3/4" Bolt	01821200
30	5/16" UNF x 1" S/Screw	02819600
31	RH Cutter Blade 19"	169381300
32	LH Cutter Blade 19"	169381400
33	RH Cutter Blade 17.5"	16929000
34	Deck Spring	25906200
35	3/8" UNF x 1 1/4" Bolt	02820000
36	M8 x 20mm Bolt	02825900

V20/50 REAR DISCHARGE DECK
PARTS LIST

37	M8 Captive Nut	04825800
38	1/4" Square x 1 1/4" Key	09853400
40	5/16" UNF x 3" Bolt	01832300
41	Rivet	12860100
42	Deck Belt BB155	22950200
43	Deck Drive Belt B57	22871200
44	Locking Tab	27111200
45	Rear Discharge Deck Drive Belt Guard	327014300
46	Idler Pulley Support Bracket	301057300
48	IBS Deck Decal (50") 127cm (location rear deck)	358010101
49	Drive Shaft	183012400
50	Centre Scalp Bracket	307022600
51	Scalp Flat Centre Plate	307022700
52	Anti Scalp Wheel	19905500
53	Scuff Wheel Hub	31337600
54	Deck Push Rod Pin	31338200
55	Deck Tension Bar	29203700
56	Washer 1/2" T3 LP	08822500
57	Rue Clip	11836700
58	Deflector Plate	301050600



V20/50 MULCHER DECK



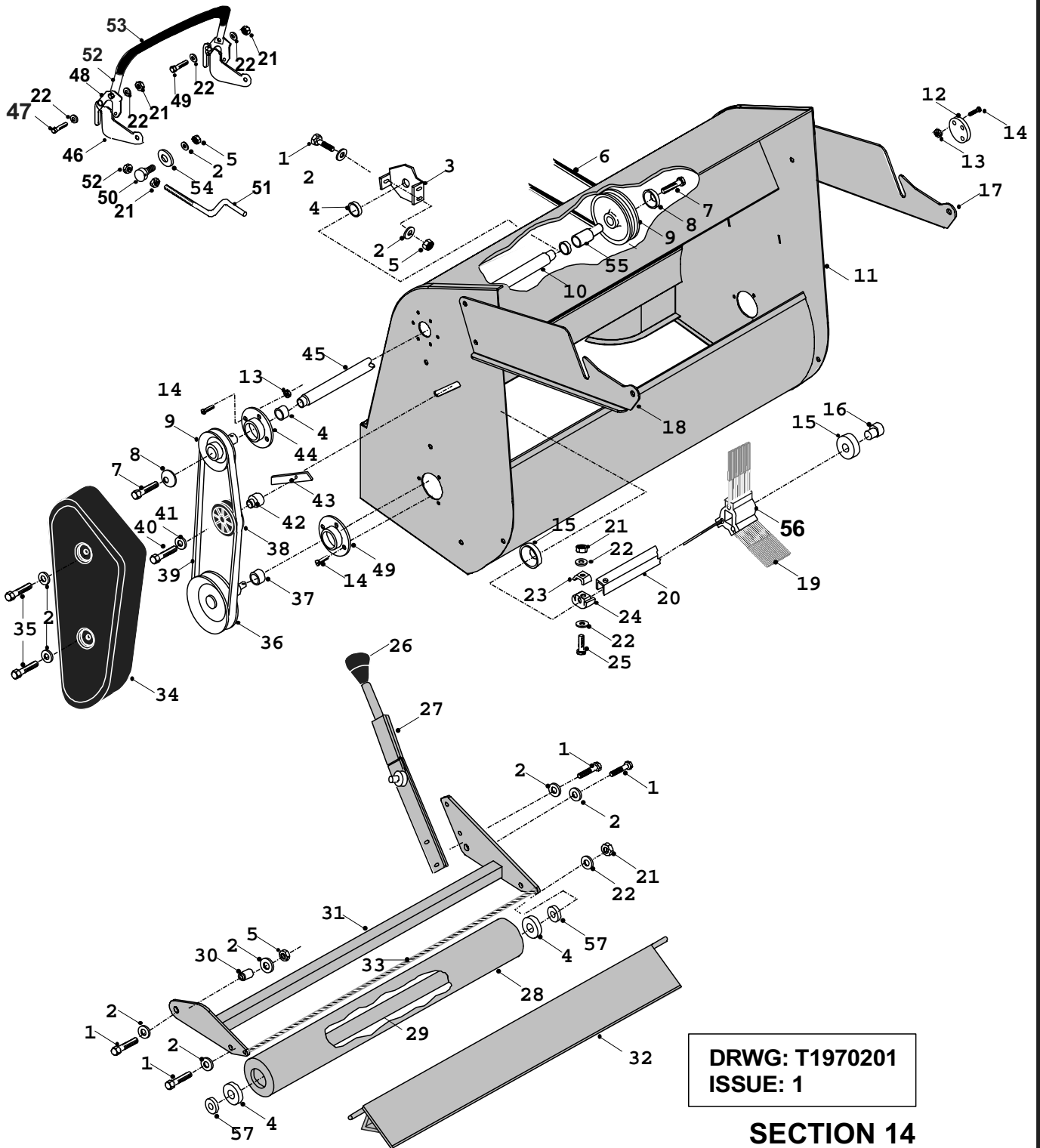
DRWG No: T1960303
ISSUE No: 3

SECTION 12.

**V20/50 MULCHER DECK
PARTS LIST**

	PART DESCRIPTION	PART NUMBER
1	Bolt 5/16" x 1.1/4" UNF	01820600
2	Dome Washer 1.3/4" x 3/8" x 1/8"	08819900
3	Bolt 5/16" x 2.3/4" UNF HT ZP	01821200
4	S/Screw 5/16" x 1.1/4" UNF	01820600
5	Bolt 3/8" UNF x 1.1/4"	02820000
6	M/Screw 5/16" UNF x 1"	02819600
7	Nyloc Nut 5/16" UNF	04827500
8	Captive Nut M8	04825800
9	Washer 5/16" T3 LP ZP	08819500
10	Washer 5/16" T4 HP ZP	08819700
13	Deck Lid Cover	148003000
14	Mulcher Deck Liner	148003100
15	19" Mulcher Blade	16938100
16	Deck Idler Pulley Spacer	18300420
17	Front Deck Hanging Bracket Pivot	18321000
18	Jockey Plate Pivot Spacer	189498400
19	1/2" Bore Anti - Scalp Wheel	19905500
19a	Anti - Scalp Wheel	149495800
20	Deck Pulley	20869500
21	Deck Idler Pulley c/w Bearing	20869600
22	Spacer Plate	301043000
23	Rear Deck Universal Hanging Bracket L/H Rear Deck Universal Hanging Bracket R/H	307118600 307118700
24	Front Deck Hanging Bracket	302005000
25	Deck Drive Pulley Spacer	31328300
27	Scuff Wheel Hub	31337600
30	Mulcher Deck Shell	327006600
31	Jockey Pulley Plate	327362400
32	Deck Drive Belt Guard	327008700
33	Deck Drive Pulley	32729000
34	Bearing Housing - Short	40503704
36	Bearing Housing - Long	40503504
37	Dayco Belt BB112	228000900
38	Dayco Belt B57	22871200
39	Mulching Deck Decal (50") 127cm (location rear deck)	358009701
40	Deck Tension Spring	25906200
41	Rubber Edge Trim	14896100
42	Top Pulley Spacer	183023100
43	Bridge Spacer	313226100
44	Washer M8	08819500

**WESTWOOD
V20/50 TRACTOR
POWERED
GRASS COLLECTOR**



**DRWG: T1970201
ISSUE: 1**

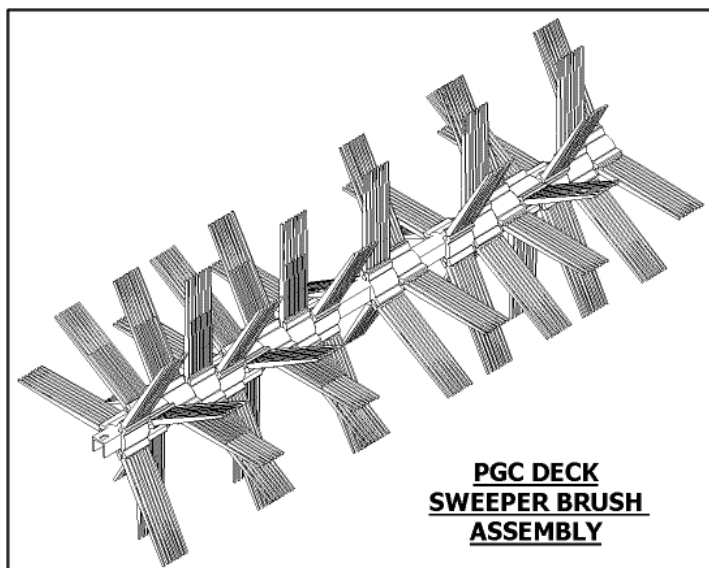
SECTION 14

WESTWOOD V20/50 TRACTOR
POWERED GRASS COLLECTOR
PARTS LIST

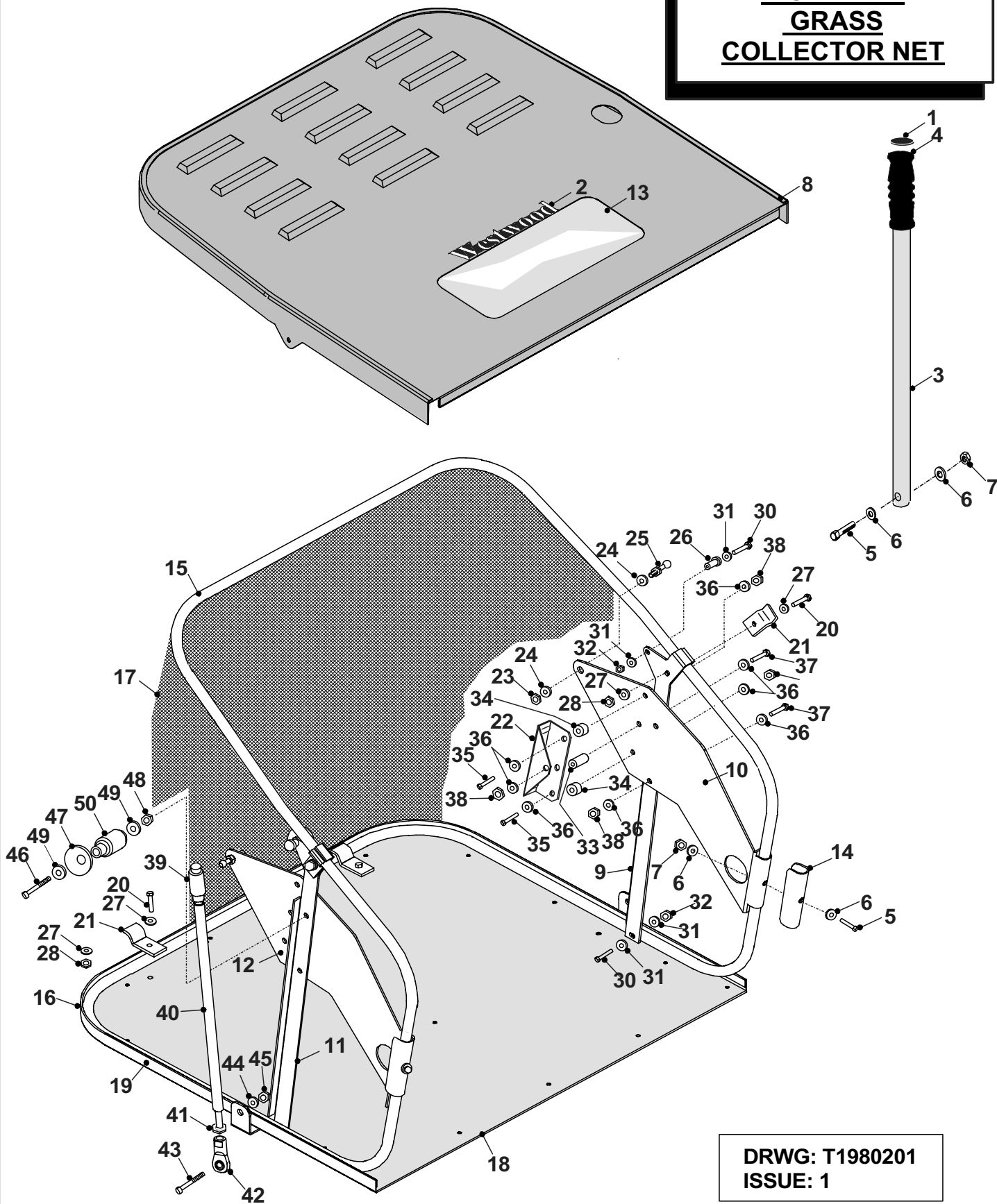
	PART DESCRIPTION	PART NUMBER
1	Bolt M8 x 30mm	018001200
2	Washer M8	088000200
2a	Nylon Washer M8	088002300
3	Idler Bearing Housing	307025600
4	Bearing 6203 2RS	10811600
5	Nut Nyloc M8	04850600
6	P.T.O. Belt A54	208000400
7	Bolt M10 x 25mm	028002300
8	Washer Domed	08819900
9	3" Pulley (Non - Keyed)	327175900
10	Spacer Idler Shaft	31306200
11	Sweeper Body 2000	327172600
12	Sweeper Bearing Cap	30117500
13	Nut M5 Nyloc	04885900
14	Screw M5 x16mm Pozi Pan	02940500
15	Sweeper Slinger	32121800
16	Brush Stock Spindle - Short	31323900
17	Bag Ear L/H	301057700
17a	Bag Ear R/H	307025500
18	Bristle Boss	14833000
19	Sweeper Bristle Webbed	14936300
20	Brush Stock	17400200
21	Nut Nyloc M6	048001000
22	Washer M6	088003000
23	Brush Drive Moulding - Top	14834100
24	Brush Drive Moulding - Bottom	14832900
25	Bolt M6 x 45mm	028662800
26	Lever Knob	14804800
27	Sweeper Height Roller Handle	327171800
28	Roller	32731900
29	Roller Shaft Internal	183024400
30	Roller Plate Bush	31329200
31	Roller Carrier	327176900
32	Sweeper Flap Plate	327016500
33	Roller Scraper Cable	528004400
34	Belt Guard	148005400
35	Bolt M8x65mm	028662700

WESTWOOD V20/50 TRACTOR
POWERED GRASS COLLECTOR
PARTS LIST

	PART DESCRIPTION	PART NUMBER
36	5" Pulley 5" Pulley (from December 2002)	327002600 209044200
37	Bearing 6203ZZ	10845500
38	Jockey Pulley (Plastic)	20811500
39	Belt - PTO Brush Drive 1464 (`V' type)	22832800
40	Bolt M8x50mm	018001800
41	Sweeper Jockey Cap Boss	31351100
42	Sweeper Jockey Spacer	31350400
43	Bearing Shield	30121900
44	Bearing Housing 17mm Bearing Housing (from December 2002)	27106601 271004200
45	Idler Shaft	183005700
46	Locking Handle	307177800
47	Bolt M6x16mm	019479200
	Decal "Roller Height" (Not Illustrated)	35937600
48	L.H. Sweeper Locking Lug	30149800
	R.H. Sweeper Locking Lug	30150300
49	Bolt M6x20mm	018000300
50	Trunnion M8	183003800
51	Tension Adjustment Rod	313003500
52	Handle Locking Plate	178966300
53	Foam Handle Grip	149496600
54	Tubular Spacer	174003601
55	Brush Stock Spindle (from December 2002)	183027900
56	PGC Pulley Bearing Kit (from December 2002)	401001500



**WESTWOOD
V20/50 TRACTOR
POWERED
GRASS
COLLECTOR NET**



**DRWG: T1980201
ISSUE: 1**

SECTION 15

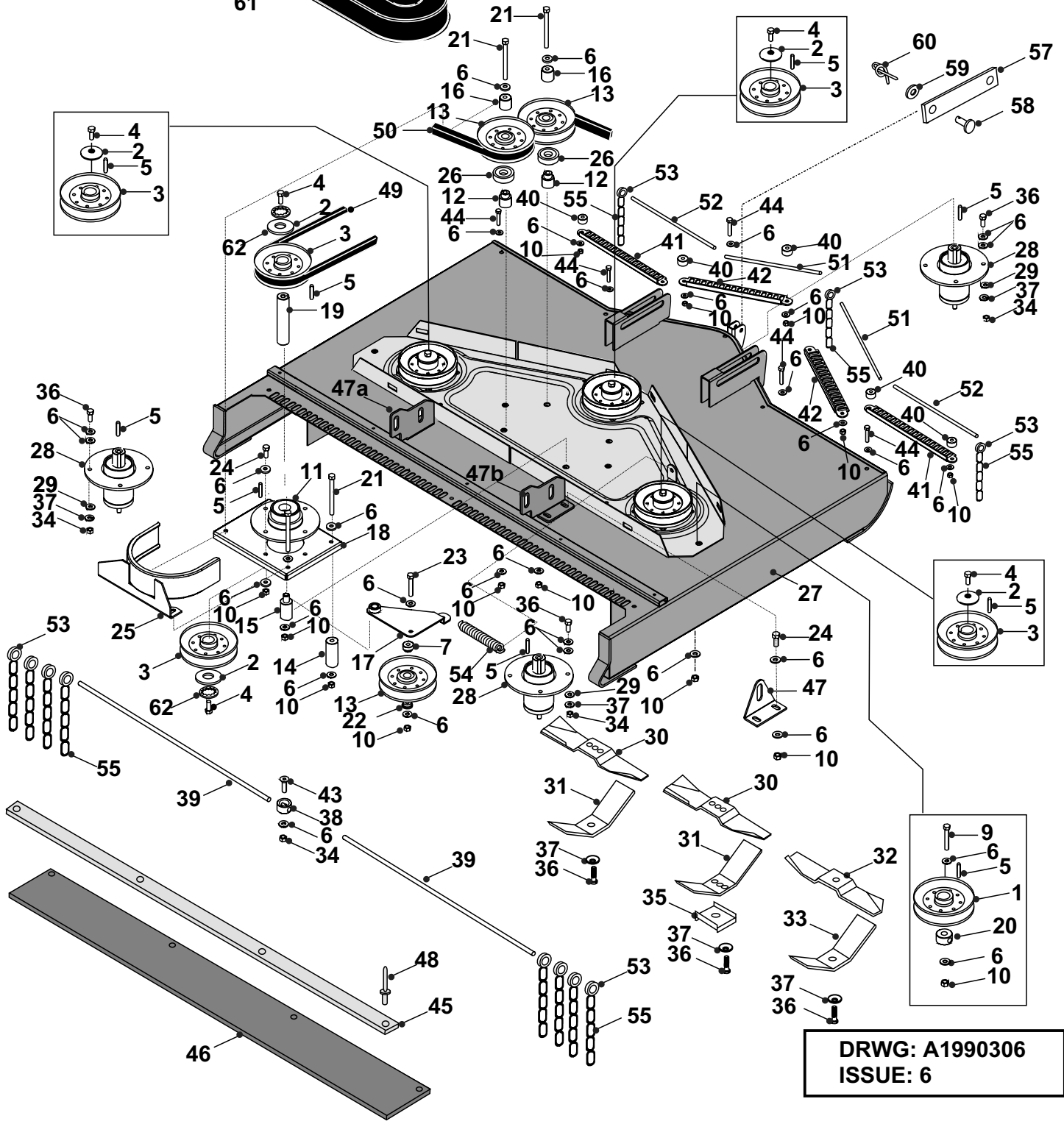
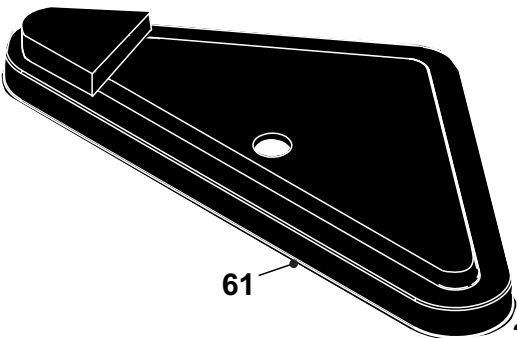
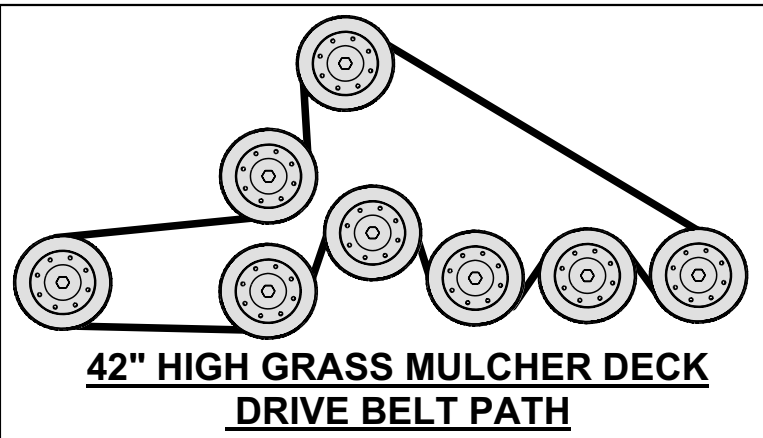
**WESTWOOD
V20/50 TRACTOR
POWERED GRASS COLLECTOR NET
PARTS LIST**

	PART DESCRIPTION	PART NUMBER
1	Soft Foam Grip End Plug	14880500
2	Westwood Decal	9370
3	Net Tipping Handle	48402800
4	Net Tipping Foam Grip	38936500
5	Bolt M6 x 35mm	028007000
6	Washer M6	088003000
7	Nut Nyloc M6	04920500
8	Net Lid	327018500
9	Goal Post L/H	301057900
10	Goal Post Plate L/H	301058100
11	Goal Post R/H	301057800
12	Goal Post Plate R/H	301058000
13	Window	14871500
14	Net Frame Clamping Plate	30149600
15	Net Frame Top	174006800
16	Net Frame Bottom	174006900
17	Net	389471900
18	Net Floor (Galvanised)	301058300
19	Floor Surround (Galvanised)	307026400
20	Bolt M6 x 20mm	018000300
21	Frame Tube Clamp	301008400
22	Tipping Handle Channel	307177300
23	Nut Nyloc M10	04886100
24	Spacer	183025600
25	Ball End Shaft 10mm	183010300
26	Net Lid Spacer	18321000
27	Washer M6	088000300
28	Nut Nyloc M6	04920500
30	Screw M6 x 40mm	01901000
31	Washer M6	088000300
32	Nut Nyloc M6	04920500
33	Spacer 32 x 14 x 10 i.d.	31330800
34	Spacer 26 x 18 x 8 i.d.	183024001
35	Bolt M8 x 35mm	01935700
36	Washer M8	088000200
37	Bolt M8 x 20mm	02825900
38	Nut M8	04822300

**WESTWOOD
V20/50 TRACTOR
POWERED GRASS COLLECTOR NET
PARTS LIST**

	PART DESCRIPTION	PART NUMBER
39	Quick Release Ball Joint	183024900
40	Link Arm Support	183010400
41	Locknut M10	04872100
42	Rod End M10	10872600
43	Screw M10 x 25mm	028002300
44	Washer M10	088002400
45	Half Nut Nyloc	068000400
46	Bolt M8 x 55mm	028662600
47	Domed Washer	307029900
48	Nut Nyloc M8	04920100
49	Washer M8	088000200
50	Bag Frame Pivot	183023900

**V20/50 TRACTOR
42" HIGH GRASS
MULCHER DECK**



**DRWG: A1990306
ISSUE: 6**

**V20/50 TRACTOR
42" HIGH GRASS MULCHER DECK PARTS LIST**

	PART DESCRIPTION	PART NUMBER
1	Deck Idler Pulley	20869600
2	Washer M10 x 40 x 3 mm	08824600
3	Deck Pulley Internal	20869600
4	Bolt M8 x 20mm	02825900
5	Key 1/4" sq x 1.1/4"	09853401
6	Washer 5/16"	08819700
7	Jockey Wheel Spacer	18831600
8	Deck Engage Spring Stop	31320400
9	Bolt 5/16" x 2"	01820900
10	Nut Nyloc 5/16" UNF	04827500
11	Platform Bearing Housing	405005000
12	Support / Idler Pulley Boss	183021600
13	Idler Pulley 5"	20869502
14	Bearing Support Plate	183021900
15	Support / Jockey Pulley Pivot	183021800
16	Support / Jockey Pulley Spacer	183021700
17	Jockey Plate Welded	327176700
18	Central Platform	301130100
19	Central Drive Shaft 113mm	183012400
20	Engage Spring Stop	31320400
21	Bolt 5/16" x 3.1/2" HT	01854700
22	Jockey Cap Boss	31351100
23	Bolt 5/16" UNF x 1.3/4"	01820800
24	Set Screw 5/16" x 3/4" UNF	02827600
25	Belt Guard	327176500
26	Bearing NTN 6203 LLU	10811600
27	Deck Welded	327176600
28	Short Shaft Bearing Housing With Studs	40503603
29	M/Screw 5/16" x 1" UNF	02819600
30	R/H Blade (AC) (Echo – Pt.No 0004)	16000500
31	L/H "V" Blade (AC) (Echo)	16000200
32	R/H Blade (C/W) (Echo – Pt.No 0005)	16000400
33	R/H "V" Blade (CW) (Echo)	16000100
34	Nut M8	04850600
35	Locking Tab	27111200
36	Bolt 3/8" x 1.1/4"	02825300
37	Washer Shakeproof 3/8"	08826700
38	Chain Rod Support Spacer	183022300

**A20/50 TRACTOR
42" HIGH GRASS MULCHER DECK PARTS LIST**

39	Chain Rod 5/16" x 534mm	301123500
40	Front Chain Rod Spacer	183022700
41	Chain Plate Large	307018900
42	Chain Plate Small	307019000
43	Cap Screw M8 x 20cs	028001900
44	Bolt 5/16" x 1.1/2" UNF	01820700
45	Rear Rubber Flap Fixing Strip	307020100
46	Rear Rubber Flap	148008400
47a	Rear Universal Deck Hanging Bracket L/H	307186800
47b	Rear Universal Deck Hanging Bracket R/H	307186900
48	Pop Rivet (Steel) 4.8 x 16	12860100
49	Deck Drive Belt B52	229503200
50	Internal Deck Belt AA96	229503100
51	Chain Rod 5/16" x 233mm	301123300
52	Chain Rod 5/16" x 279mm	301123400
53	Chain Rod Spacer	183011900
54	Deck Belt Tension Spring	25906200
55	Chain	238000300
56	Field Grass Mulcher Decal (42") 107cm (location rear deck)	358009600
57	Deck Tension Bar	29203700
58	Deck Push Rod Pin	31338200
59	Washer 3/8" T3 HP	08820100
60	Rue Clip	11836700
61	Deck Lid Cover 42"	148002400
62	Shakeproof Washer M10	088002100