

OREC

PARTS CATALOG

HAMMER KNIFE ROTOR

HR660B

MODEL	PARTS CODE
HR660B	80-1613-△△△-50

《CONTENTS》

FIG 1	CONTROL SYSTEM-----	1
FIG 2	TRANSMISSION CASE-----	5
FIG 3	BELT COVER & ENGINE BASE-----	9
FIG 4	ROTARY COVER & COUNTER CASE-----	14
FIG 5	ROTARY & DRIVING PARTS-----	17
FIG 6	WHEEL-----	21

MAY 1999
TECHNO GREEN LTD.

FIG 1 CONTROL SYSTEM

HR660B

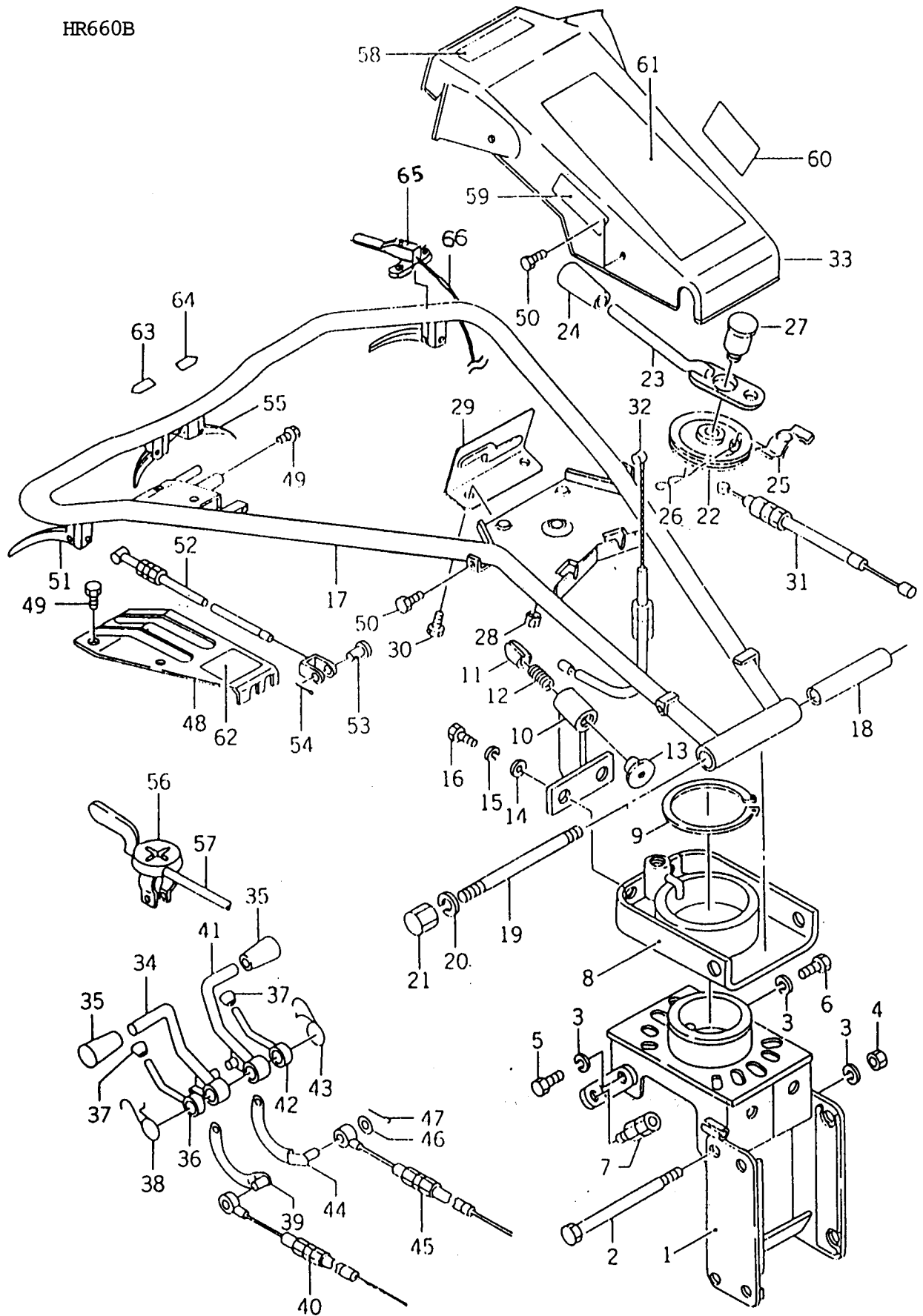


FIG. 1 Control System

Ref.	Parts No.	Parts Name	Qty.	Remarks(*=Old Nr)
1	80-1310-201-00	Bracket for Handle	1	
2	89-1113-101222	Hexagonal Bolt (8t) M10x122	4	
3	89-1750-100002	Washer 10	6	
4	89-1511-100042	Nut M10	4	
5	89-1111-100202	Bolt M10x20	1	
6	89-1111-100162	Bolt M10x16	1	
7	80-1210-554-00	Stopper for Tension Wire	1	
8	80-1310-203-00	Turntable for Handle	1	
9	89-2511-000850	Snap Ring 85	1	
10	80-1330-214-00	Stopper for Handle Up/Down	1	
11	80-1210-216-00	Stopper Pin	2	
12	80-1210-217-00	Stopper Spring	2	
13	80-1210-215-00	Stopper Cap	2	*80-1711-215-00
14	89-1711-100002	Washer 10	2	
15	89-1750-100002	Spring Washer 10	2	
16	89-1111-100162	Bolt M10x16	2	
17	80-1310-221-00	Handle	1	
18	80-1210-222-00	Handle Setting Collar	1	
19	83-1210-133-00	Setting Bolt M12x160	1	*80-1210-227-00
20	89-1750-100002	Spring Washer 10	2	
21	80-1310-228-00	Nut M12	2	
22	80-1310-266-00	Wire Guide B	1	
23	80-1310-263-00	Change Lever	1	
24	83-1210-425-00	Grip 10	1	
25	80-1310-268-00	Leaf Spring	1	
26	89-2131-100002	Snap Pin 10	1	
27	80-1210-267-00	Wire Guide Axle	1	
28	89-1541-080002	Nut S.W. M8	1	
29	80-1310-261-00	Change Guide Plate	1	
30	89-1131-060122	Bolt P.W. M6x12	2	
31	83-1310-936-00	Change Wire	2	*80-1310-954-00
32	83-1310-965-00	Wire, Vertical & Horizontal	2	*80-1310-956-00
33	80-1310-223-00	Handle Bonnet	1	
34	80-1310-241-00	Main Clutch Lever	1	
35	83-1210-425-00	Grip 10	2	
36	80-1310-247-00	Return Lever, Main Clutch	1	
37	83-1310-429-00	Grip 6	2	
38	80-1310-248-00	Spring	1	
39	80-1310-245-00	Joint A	1	
40	83-1310-931-00	Wire, Main Clutch	1	*80-1310-961-00
41	80-1310-251-00	Rotary Clutch Lever	1	
42	80-1310-257-00	Return Lever, Rotary Clutch	1	
43	80-1310-258-00	Spring	1	
44	80-1310-255-00	Joint B	1	
45	83-1612-947-00	Wire, Rotary Clutch	1	*80-1612-964-00
46	89-1711-060002	Washer 6	4	
47	89-2120-200152	Split Pin 2x15	4	
48	80-1310-231-00	Clutch Lever Case	1	
49	89-1131-060122	Bolt P.W. M6x12	3	
50	89-1151-060122	Screw M6x12	4	
51	83-1210-457-00	Side Clutch Lever 3101	2	Side Clutch
52	83-1310-962-00	Wire, Side Clutch	2	*80-1310-958-00
53	89-2181-060202	Flat-headed Pin 6x20	2	
54	89-2120-200152	Split Pin 2x15	2	
55	83-1110-452-00	Lever, Vertical & Horizontal 1205	2	
56	83-1210-462-00	Throttle Lever 25	1	
57	83-1210-951-00	Throttle Wire	1	*80-1210-951-00
58	80-1310-911-00	Label	1	
59	80-1210-925-00	Label	1	

60	80-1210-921-00	Label	1	
61	80-1612-904-00	Label	1	
62	80-1310-914-00	Label	1	
63	80-1210-917-00	Label	1	
64	80-1210-918-00	Label	1	
65	80-1613-950-00	Engine Stop Lever ASSY	1	
66	80-1613-953-00	Harness ASSY	1	

FIG 2 TRANSMISSION CASE

HR660B

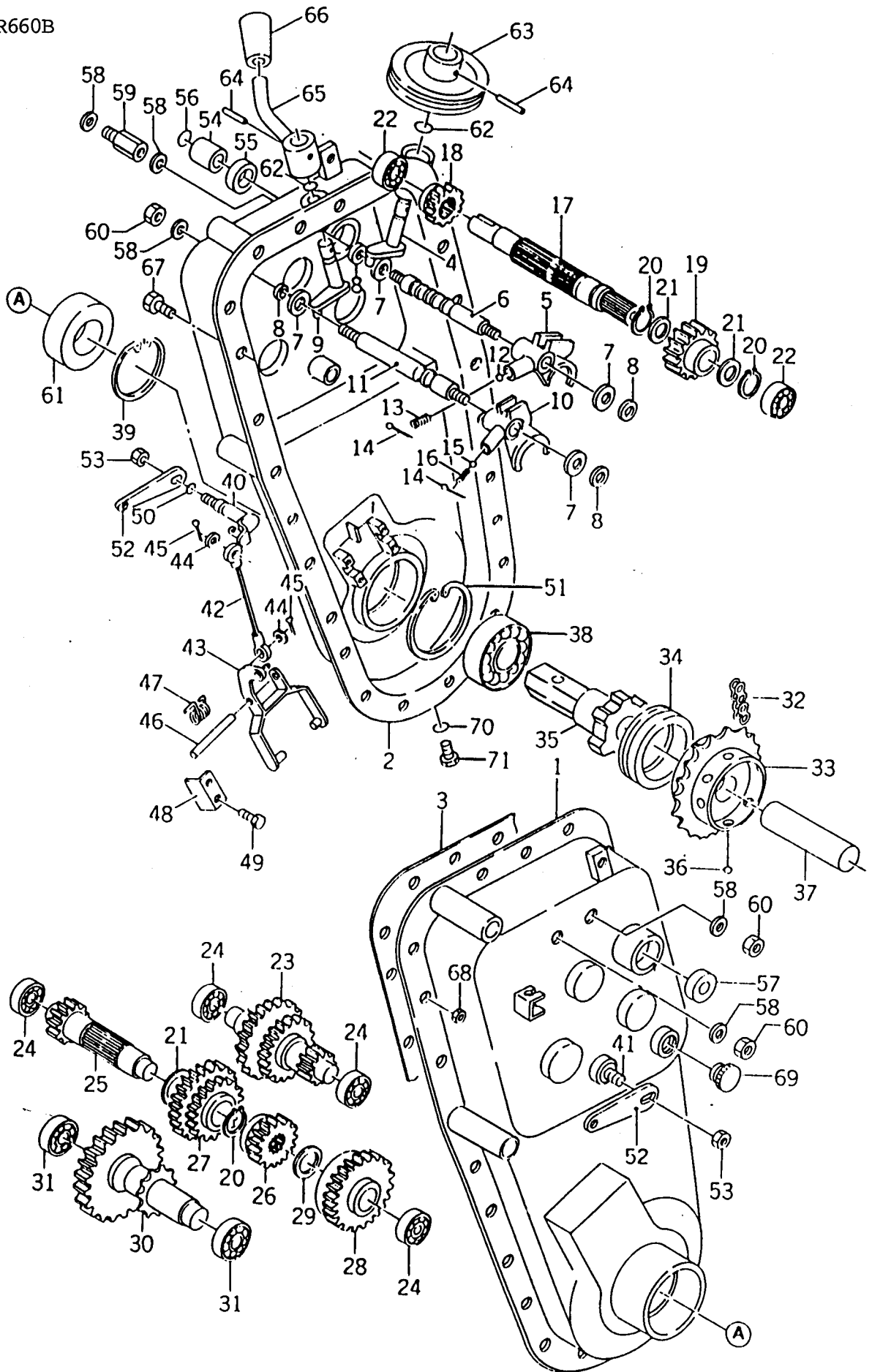


FIG. 2 Mission Case

Ref.	Parts No.	Parts Name	Qty.	Remarks(*=Old Nr)
1	80-1330-101-00	Gear Case (Left)	1	
2	80-1330-103-00	Gear Case (Right)	1	
3	80-1310-105-00	Gear Packing	1	
4	80-1310-106-00	Swing Arm	1	
5	80-1310-108-00	Shift Fork	1	
6	80-1310-107-00	Shifter Fork Shaft	1	
7	83-1210-352-00	Washer 10 T1	4	*80-1210-137-00
8	89-5230-100000	Seal Washer S.W.-10	4	
9	80-1310-109-00	Swing Arm	1	
10	80-1310-111-00	Shifter Fork	1	
11	80-1310-110-00	Shifter Fork Shaft	1	
12	89-3410-075000	Steel Ball 7.5	1	
13	80-1310-138-00	Spring 1.4	1	
14	89-2120-200202	Split Pin 2x20	2	
15	89-3410-080000	Steel Ball 8	1	
16	80-1210-139-00	Spring	1	
17	80-1310-118-00	Fork Shaft	1	
18	80-1310-120-00	Shifter Gear	1	
19	80-1310-121-00	Top Gear	1	
20	89-2511-000220	Snap Ring 22	3	
21	83-1310-374-00	Thrust Washer 22x32x1.0	3	*80-1310-126-00
22	89-3111-060044	Ball Bearing 6004	2	
23	80-1310-127-00	The 2nd Shaft (Comple)	1	
24	89-3111-062024	Ball Bearing (6202)	4	
25	80-1310-122-00	Back Shaft	1	
26	80-1310-130-00	Shifter Gear	1	
27	80-1310-123-00	Back Shaft Gear 23-32T	1	
28	80-1310-124-00	Gear 36T	1	
29	83-1310-371-00	Thrust Washer 20x30x1.0	1	*80-1310-133-00
30	80-1310-134-00	The 3rd Shaft (Comple)	1	
31	89-3111-062034	Ball Bearing 6203	2	
32	89-6513-520046	Chain #520-46	1	
33	80-1310-148-00	Sprocket 23T	1	
34	80-1310-143-00	Side Clutch Cone	2	
35	80-1751-146-00	Axle	2	*80-1330-146-00
36	89-3410-080000	Steel Ball 8	12	
37	80-1751-150-00	Axle Pin	1	
38	89-3111-060074	Ball Bearing 6007	2	
39	89-2512-000620	Snap Ring 62	2	
40	80-1310-152-00	Rod Arm (Right)	1	
41	80-1310-112-00	Rod Arm (Left)	1	
42	80-1310-155-00	Side Clutch Rod	2	*80-1310-959-00
43	80-1310-114-00	Fork	2	
44	89-1711-060002	Washer 6	4	
45	89-2120-200152	Split Pin 2x15	4	
46	80-1310-115-00	Fork Pin	2	
47	80-1310-162-00	Return Spring	2	
48	80-1310-161-00	Pushing Plate	4	
49	89-1231-060202	Bolt P.W. M6x20	8	
50	89-5221-009000	Ring O Type P9	2	
51	89-2512-000720	Snap Ring 72	2	
52	80-1310-153-00	Arm Side Clutch	2	
53	89-1541-080002	Nut S.W. M8	2	
54	80-1310-167-00	Seal Collar	1	*80-1210-167-00
55	89-5121-283808	Oil Seal 28.38.8.	1	
56	89-5221-020000	Ring O Type P20	1	
57	89-5121-203810	Oil Seal 20.38.10.	1	
58	89-1711-100002	Washer 10	5	
59	80-1310-197-00	Belt Cover Fitting Bolt	1	

60	89-1511-100042	Nut M10	3	
61	83-1310-611-00	Water Seal 35.62.17.	2	
62	89-5221-010000	Ring O Type P10	2	
63	80-1310-191-00	Wire Guide A	1	
64	89-2111-040022	Spring Roll Pin 4x22	2	
65	80-1310-193-00	Sub-Change Gear Lever	1	
66	83-1210-425-00	Grip 10	1	
67	89-1113-060142	Bolt 8T M6x14	22	
68	83-1712-194-00	Nut M6	22	
69	83-1210-684-00	Oil Cap KRM-42	1	*80-1210-166-00
70	89-5230-100000	Seal Sasher S.W. 10	1	
71	89-1111-100122	Bolt M10x12	1	

FIG 3 BELT COVER & ENGINE BASE

HR660B

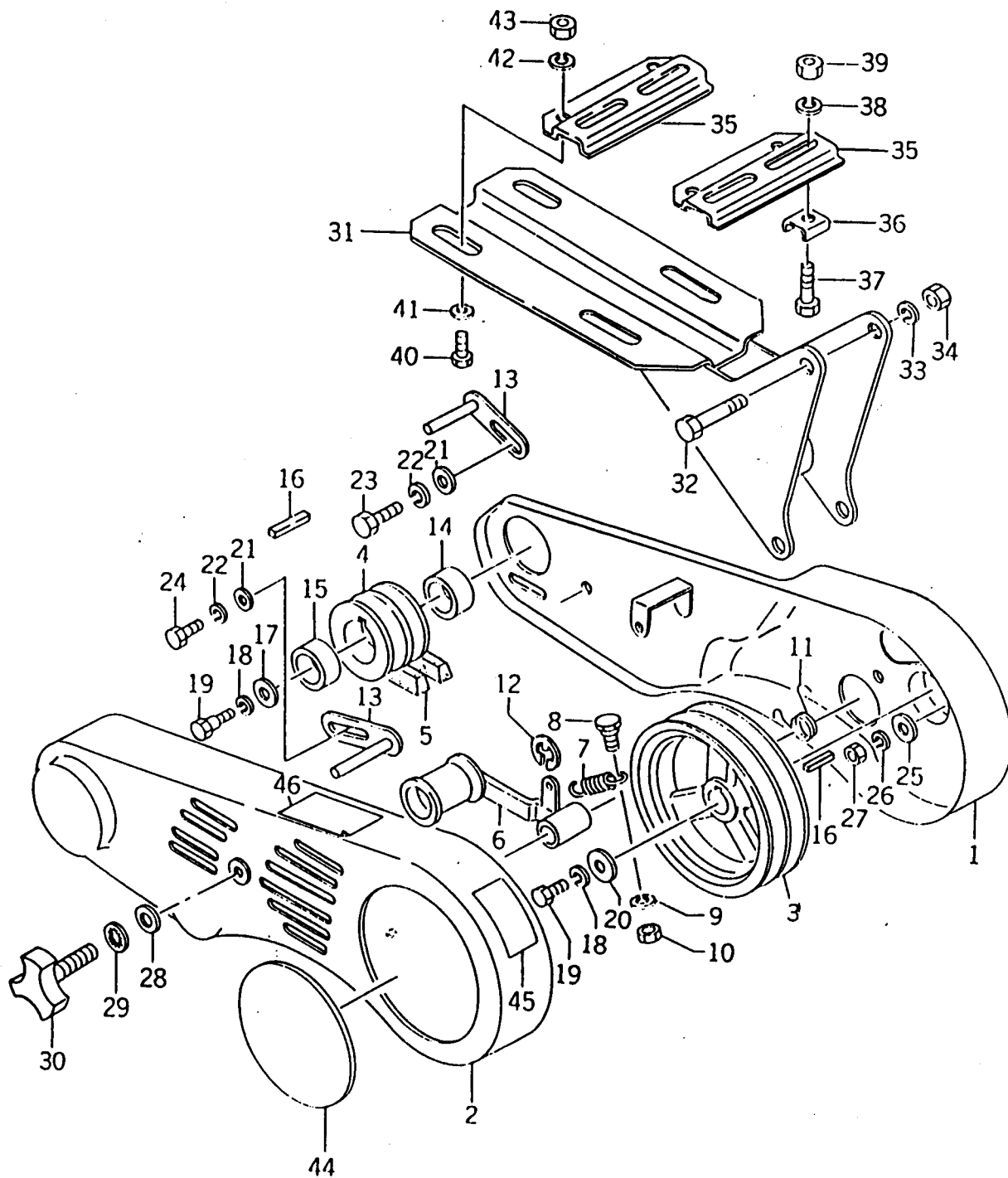


FIG. 3 Belt Cover & Engine Base

Ref.	Parts No.	Parts Name	Qty.	Remarks(*=Old Nr)
1	80-1310-501-00	Belt Case (In)	1	
2	80-1310-502-00	Belt Case (Out)	1	
3	80-1330-521-00	Transmission Pulley	1	
4	80-1330-514-00	Engine Pulley	1	
5	89-6123-003700	V Belt LB-37	2	
6	80-1310-542-00	Tension Arm	1	
7	80-1310-551-00	Tension Pulling Spring	1	
8~10	83-1210-182-00	Wire Setting Bolt Assy	1	*80-1210-559-00
8	83-1210-182-00	Wire Setting Bolt	1	
9	89-1750-080002	Spring Washer 8	1	
10	89-1511-080042	Nut M8	1	
11	80-1210-552-00	Return Spring	1	
12	89-2521-000150	Snap Ring E Type 15	1	
13	80-1310-561-00	Belt Supporter	2	*80-1210-561-00
14	80-1330-515-00	Pulley Collar (In)	1	
15	80-1330-517-00	Pulley Collar (Out)	1	
16	89-2151-050350	Key 5x35	2	
17	83-1020-312-00	Washer 8x30x3.2	1	*80-1210-525-00
18	89-1750-080002	Spring Washer 8	1	
19	89-1113-080252	Bolt 8T M8x25	2	
20	83-1020-312-00	Washer 8x30x3.2	1	*80-1210-525-00
21	89-1711-080002	Washer 8	2	
22	89-1750-080002	Spring Washer 8	2	
23	89-1111-080162	Bolt M8x16	1	
24	89-1111-080202	Bolt M8x20	1	
25	89-1711-100002	Washer 10	1	
26	89-1750-100002	Spring Washer 10	1	
27	89-1511-100042	Nut M10	1	
28	89-1711-080002	Washer 8	1	
29	89-1812-080002	Washer 8	1	
30	83-1310-102-00	Knob Bolt M8x20	1	*80-1310-565-00
31	80-1310-301-00	Engine Base	1	
32	89-1113-100752	Bolt 8T M10x75	2	
33	89-1750-080002	Spring Washer 10	2	
34	89-1511-100042	Nut M10	2	
35	80-1310-311-00	Engine Fitting Plate	2	
36	83-1210-389-00	Wire Stop Plate A 10	4	*80-1210-319-00
37	89-1111-100452	Bolt M10x45	4	
38	89-1750-100002	Spring Washer 10	4	
39	89-1511-100042	Nut M10	4	
40	89-1111-100252	Bolt M10x25	4	
41	89-1711-100002	Washer 10	4	
42	89-1750-100002	Spring Washer 10	4	
43	89-1511-100042	Nut M10	4	
44	80-1612-905-00	Label	1	
45	80-1310-912-00	Label	1	*80-1630-912-00
46	80-1210-927-00	Label	1	

FIG 4 ROTARY COVER & COUNTER CASE

HR660B

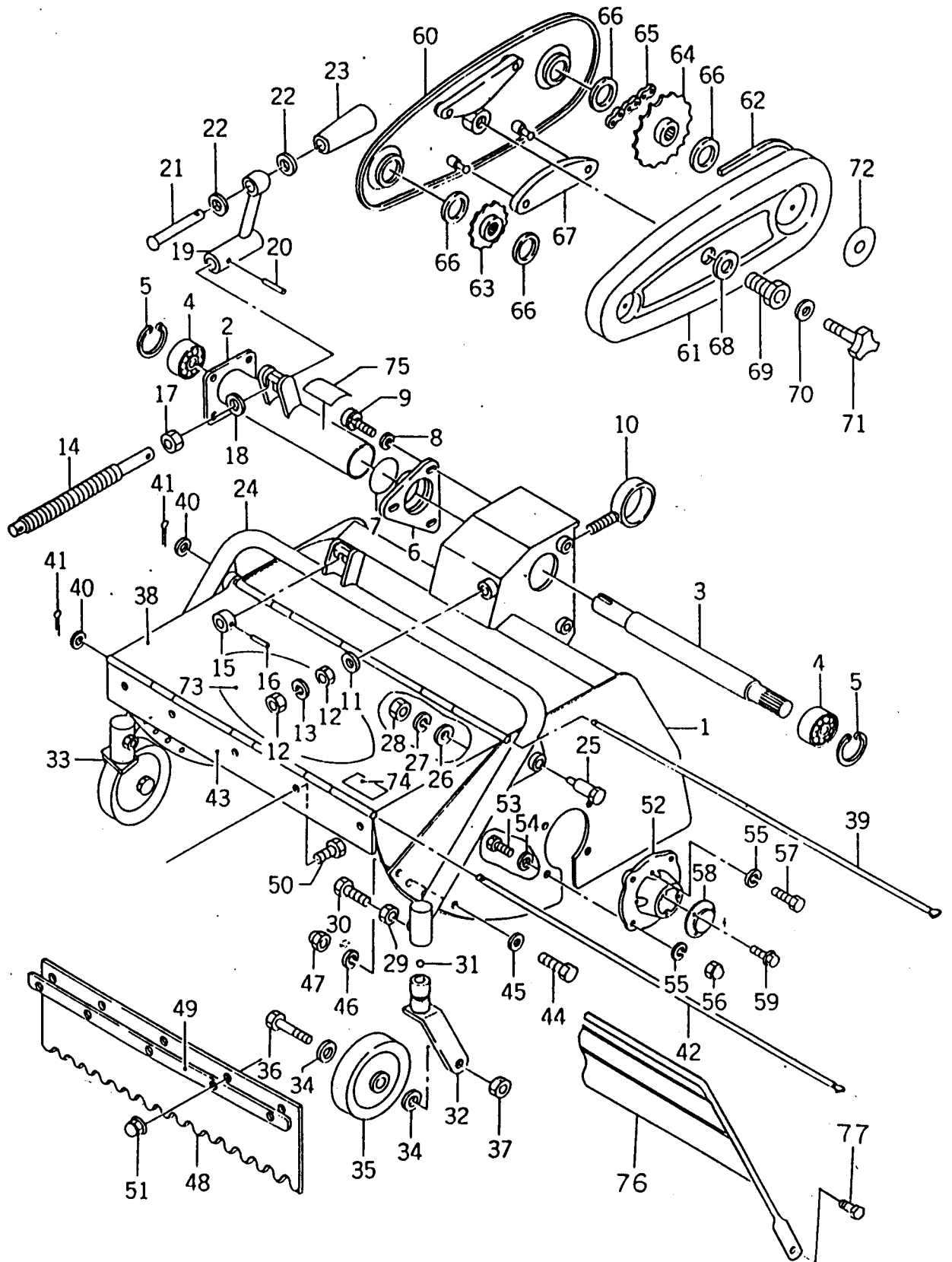


FIG. 4 Rotary Cover & Counter Case

Ref.	Parts No.	Parts Name	Qty.	Remarks(*=Old Nr)
1	80-1612-703-00	Rotary Cover	1	
2	80-1612-691-00	Supporter Pipe	1	
3	80-1612-621-00	The 1st Shaft for Knife	1	
4	89-3115-060044	Ball Bearing 6004 2RS	2	
5	89-2512-000420	Snap Ring 42	2	
6	80-1610-692-00	Pipe Fitting Plate	1	
7	89-5221-048000	Ring O Type P48	1	
8	89-1711-080002	Washer 8	3	
9	89-1132-080162	Bolt S.W. M8x16	3	
10	80-1612-594-00	Chain Puller	1	
11	89-1711-100002	Washer 10	1	
12	89-1511-100042	Nut M10	2	
13	89-1750-100002	Spring Washer 10	1	
14	84-1723-724-00	Adjusting Screw	1	
15	84-1723-744-00	Adjusting Stopper Boss	1	
16	89-2111-050022	Spring Roll Pin 5x22	1	
17	89-1511-160042	Nut M16	1	
18	89-1711-120002	Washer 12	1	
19	84-1723-739-00	Adjusting Handle	1	
20	89-2111-050022	Spring Roll Pin 5x22	1	
21	83-1713-166-00	Pin Round-head 10x80	1	
22	89-1711-100002	Washer 10	1	
23	83-1210-425-00	Grip 10	1	
24	80-1612-723-00	Front Arm	1	
25	80-1610-714-00	Fitting Bolt	2	
26	89-1711-120002	Washer 12	2	
27	89-1750-120002	Spring Washer 12	2	
28	83-1610-192-00	Nut M12 P1.25	2	*80-1610-715-00
29	89-1511-100042	Nut M10	2	
30	89-1111-100352	Bolt M10x35	2	
31	89-3410-110000	Steel Ball 11	2	
32	80-1612-725-10	Front Wheel Fork (Left)	1	
33	80-1612-726-10	Front Wheel Fork (Right)	1	
34	89-1711-120002	Washer 12	4	
35	80-1610-727-00	Front Wheel	2	
36	89-1115-120751	Bolt 11T M12x75	2	
37	89-1511-120042	Nut M12	2	
38	80-1610-764-00	Front Cover	1	
39	80-1610-748-00	Shaft for Hinge (A)	1	
40	89-1711-050002	Washer 5	4	
41	89-2120-200152	Split Pin 2x15	2	
42	80-1610-749-00	Shaft for Hinge (B)	1	
43	80-1610-771-00	Flapper Fitting Plate	1	
44	89-1111-080162	Bolt M8x16	4	
45	89-1711-080002	Washer 8	4	
46	89-1750-080002	Spring Washer 8	4	
47	89-1571-080042	Cap Nut M8	4	
48	80-1610-781-00	Flapper (Front)	1	
49	80-1610-787-00	Flapper Pad	1	
50	89-1131-060162	Bolt P.W. M6x16	5	
51	83-1575-189-00	Flange Cap Nut M6	5	
52	80-1610-811-00	B.B. Case Receiver	1	
53	89-1111-080252	Bolt M8x25	4	
54	89-1711-080002	Washer 8	4	
55	89-1750-080002	Spring Washer 8	8	
56	89-1571-080042	Cap Nut M8	4	
57	89-1111-080252	Bolt M8x25	4	
58	80-1610-812-00	B.B. Case Receiver Cover	1	
59	89-1131-060122	Bolt P.W. M6x12	3	

60~72	80-1612-580-00	Transmission Case Assy	1	
60	80-1310-581-00	Transmission Case (In)	1	
61	80-1310-582-00	Transmission Case (Out)	1	
62	80-1310-583-00	Packing	1	
63	80-1310-591-00	Sprocket 13T	1	
64	80-1612-592-00	Sprocket 22T	1	
65	89-6512-040056	Chain #40-56	1	
66	80-1210-588-00	Friction Stopper	4	
67	80-1210-585-00	Chain Sag Stopper	2	
68	89-1812-160002	Toothed Washer 16	1	
69	80-1310-584-00	Fitting Bolt	1	
70	89-1812-100002	Toothed Washer 10	1	
71	83-1310-106-00	Knob Bolt M10x50	1	*80-1310-598-00
72	80-1612-907-00	Label	1	
73	83-1050-901-00	Label	1	*80-1612-903-00
74	83-1415-908-00	Label	1	*80-1210-928-00
75	80-1610-927-00	Label	1	
76	80-1613-733-00	Safety Cover for HR660B	1	
77	89-1111-080252	Bolt M8x25	2	

FIG 5 ROTARY & DRIVING PARTS

HR660B

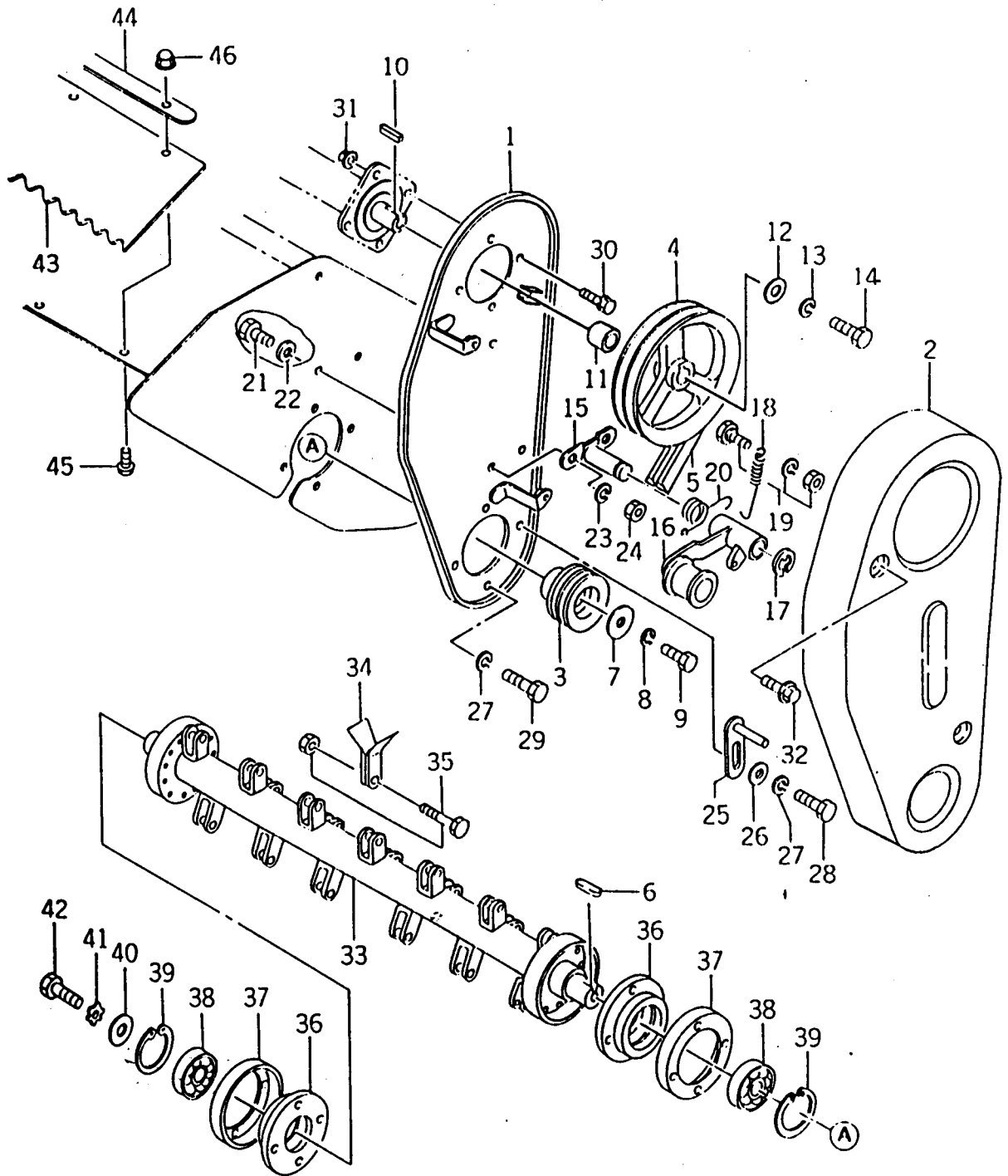


FIG. 5 Rotary & Driving Parts

Ref.	Parts No.	Parts Name	Qty.	Remarks(*=Old Nr)
1	80-1610-693-00	Belt Case (In)	1	
2	80-1610-694-00	Belt Case (Out)	1	
3	80-1610-634-00	Knife Pulley	1	
4	80-1610-636-00	Drive Pulley	1	
5	89-6122-003900	V Belt LA-39	2	
6	89-2150-070370	Key 7x37	1	
7	83-1610-322-00	Pulley Pushing Washer 10x36x6	1	*80-1610-635-00
8	89-1750-100002	Spring Washer 10	1	
9	89-1113-100352	Bolt 8T M10x35	1	
10	89-2150-050300	Key 5x30	1	
11	80-1610-637-00	Pulley Collar	1	
12	83-1210-313-00	Washer 8x32x3.2	1	*80-1210-525-00
13	89-1750-080002	Spring Washer 8	1	
14	89-1111-080252	Bolt M8x25	1	
15	84-1713-633-00	Tension Arm Shaft	1	
16	80-1610-632-00	Tension Arm	1	
17	89-2521-000150	Snap Ring E Type 15	1	
18	80-1610-655-00	Tension Pulling Spring	1	
19	83-1210-182-00	Wire Setting Bolt Assy	1	*80-1210-559-00
20	80-1210-552-00	Return Spring	1	
21	89-1111-100252	Bolt M10x25	2	
22	89-1711-100002	Washer 10	2	
23	89-1750-100002	Spring Washer 10	2	
24	89-1511-100042	Nut M10	2	
25	80-1210-561-00	Belt Support	2	
26	89-1711-080002	Washer 8	2	
27	89-1750-080002	Spring Washer 8	4	
28	89-1111-080202	Bolt M8x20	2	
29	89-1111-080162	Bolt M8x16	2	
30	89-1132-080162	Bolt S.W. M8x16	4	
31	89-1631-080042	Nut, Frange M8	4	
32	89-1133-080162	Bolt P.W. S.W. M8x16	2	
33	80-1610-800-00	Knife Drum Assy	1	Include No34,35
34	80-1610-821-00	Hammer Knife Blade	38	
35	83-1610-835-00	Fitting Bolt Assy	19	M10
36	80-1610-804-00	B.B. Case	2	
37	80-1612-813-00	Dust Cover	2	
38	89-3115-062064	Ball Bearing 6206 2RS	2	
39	89-2512-000620	Snap Ring 62	2	
40	83-1610-321-00	Washer 10x36x4.5	1	*80-1610-818-00
41	89-1812-100002	Toothed Washer 10	1	
42	83-1610-126-00	Bolt 8T M10x25	1	*80-1610-819-00
43	80-1612-782-00	Flapper (Rear)	1	
44	80-1610-787-00	Flapper Pad	1	
45	89-1131-060162	Bolt P.W. M6x16	5	
46	83-1575-189-00	Flange Cap Nut M6	5	

FIG 6 WHEEL
HR660B

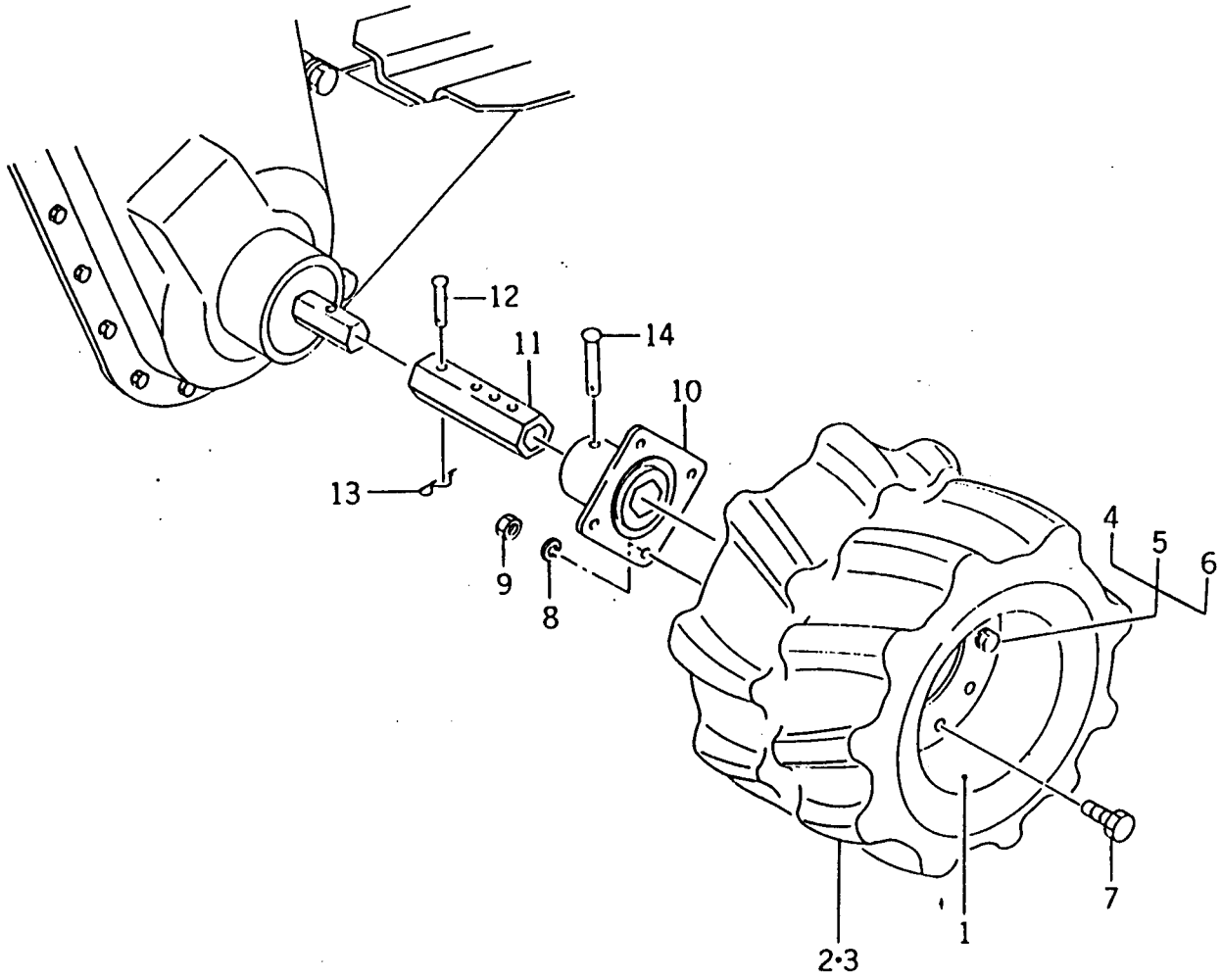


FIG. 6 Wheel

Ref.	Parts No.	Parts Name	Qty.	Remarks(*=Old Nr)
1~6	80-1610-421-00	Tire (Left) Assy	1	
	80-1610-422-00	Tire (Right) Assy	1	
1	80-1751-407-00	Wheel Assy	2	
2	80-1610-401-00	Tire	2	
3	80-1751-404-00	Tube	2	
4	89-1111-080142	Bolt M8x14	12	
6	89-1631-080042	Nut, Flange M8	12	
7	89-1111-100202	Bolt M10x20	8	
8	89-1750-100002	Spring Washer 10	8	
9	89-1511-100042	Nut M10	8	
10	80-1751-413-00	Wheel Boss	2	
11	80-1310-416-00	Wheel Tube	2	
12	83-1711-151-00	Pin, Cylinder Head 8x42	2	
13	89-2131-080002	Snap Pin 8	4	
14	89-2181-080602	Pin, Cylinder Head 8x60	2	