

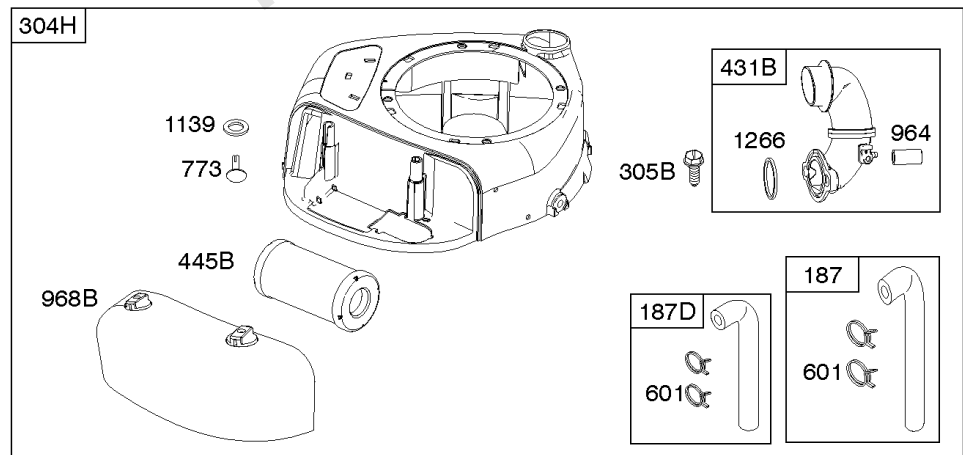
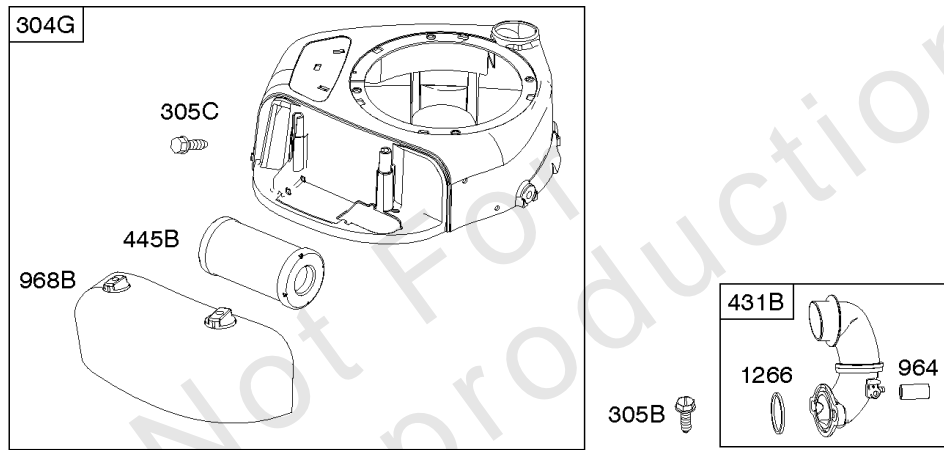
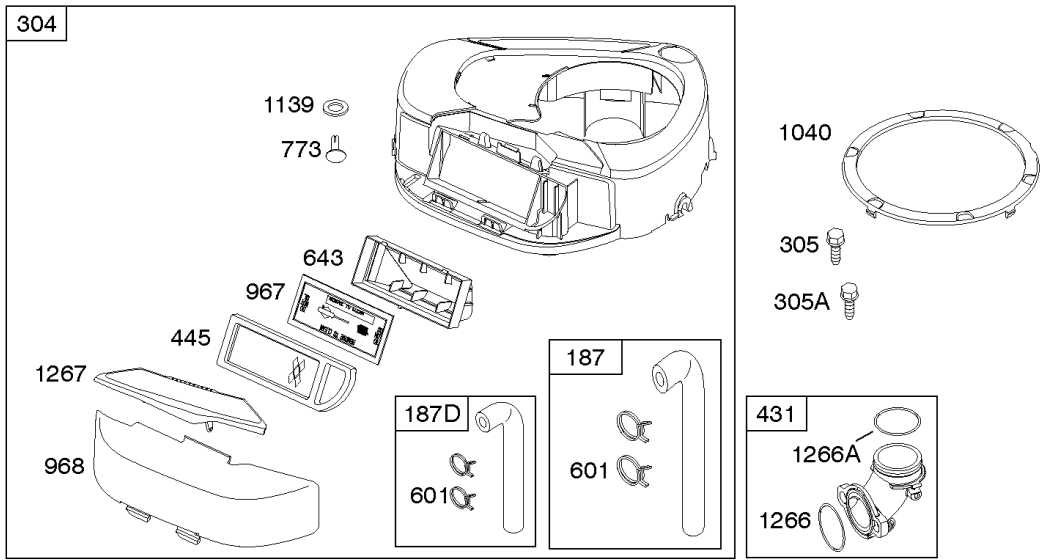


Parts Manual

Mfg. No: 219807-0421-B1

Model Components	Page
Air Cleaner, Blower Housing.....	4
Alternator, Electric Starter, Ignition, Rewind Starter.....	6
Camshaft, Crankshaft, Lubrication, Piston, Rings, Connecting Rod.....	10
Carburetor, Kit - Carburetor Overhaul.....	14
Controls, Fuel Supply, Governor Spring.....	20
Cylinder Head, Gasket Set - Engine, Gasket Set - Valve, Intake Manifold, Valves.....	24
Cylinder, Engine Sump, Lubrication, Operator's Manual, Warning Label.....	28
Exhaust System, Flywheel.....	30
Replacement Engine - Europe, Middle East & Africa.....	34
Replacement Engine - US & Canada.....	35

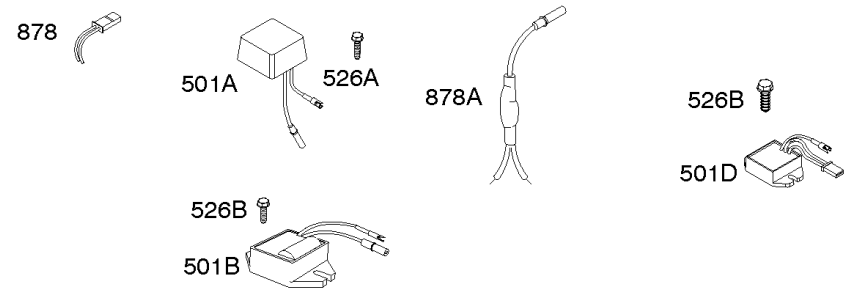
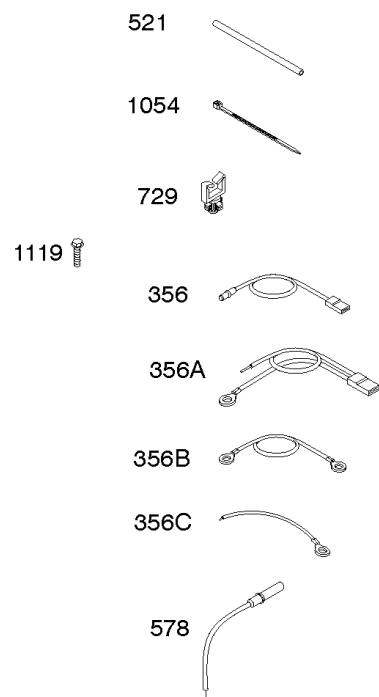
Not For
Reproduction



Air Cleaner, Blower Housing

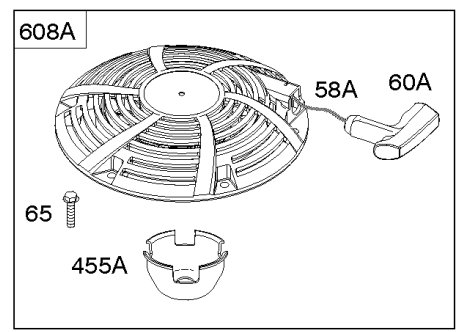
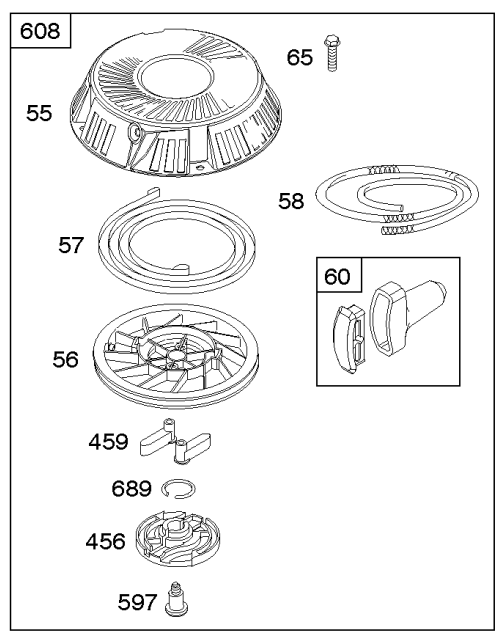
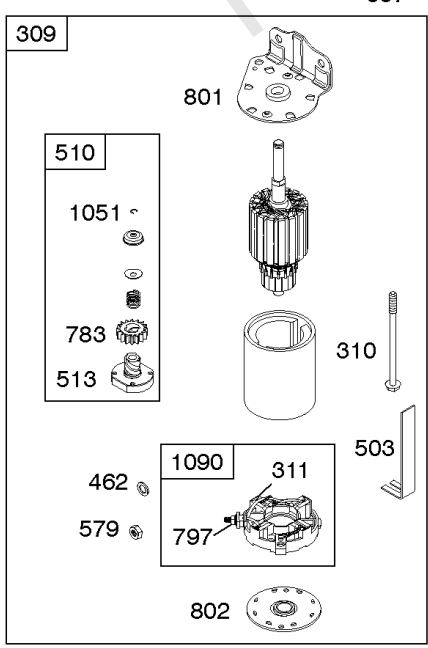
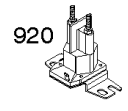
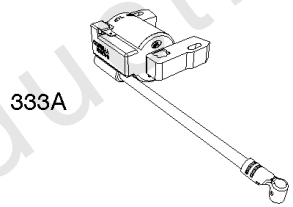
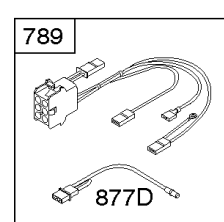
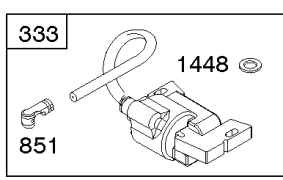
REF NO	PART NO	QTY	DESCRIPTION
187	791805		LINE, Fuel -(Formed)(10-1/4" Long)(Cut to Required Length)
187D	791744		LINE, Fuel -(Formed)(14 Inches Long)(Cut To Required Length)
304	-----		Housing-Blower -(Compatible With Panel Style Filter. No Longer Available. See Reference304H For Replacement Blower Housing Kit.)
304H	591906		HOUSING, Blower
305	697102		SCREW -(Blower Housing)
305A	793376		SCREW -(Blower Housing) (Used On Non-Grommet Style Blower Housings)
305C	799370		SCREW -(Blower Housing) (Used On Grommet Style Blower Housings)
305B	795891		SCREW -(Blower Housing)
431	697122		MANIFOLD, Intake
445	797007		FILTER, A/C Cartridge -(Flat Panel)
445B	591583		FILTER, A/C Cartridge -(Canister)
601	791850		CLAMP, Hose -(Green)
643	697155		RETAINER, Air Filter
773	796448		RETAINER
964	799159		CAP, Connector
967	697292		FILTER, Pre Cleaner
968	697420		COVER, Air Cleaner -(Black-Compatible With Panel Style Filter)
968B	591646		COVER, Air Cleaner -(Black-Compatible With Canister Style Filter)
1040	698368		PLATE, Trim
1139	796449		WASHER -(Fuel Pump Bracket)
1266	691917		SEAL, O-Ring -(Intake Elbow)
1266A	697123		SEAL, O-Ring -(Intake Elbow)
1267	697419		LATCH, Blower Housing -(Black)

DC ONLY		DUAL CIRCUIT		5/9 AMP		TRI CIRCUIT		10/16 AMP	
474A	1059	474B	1059	474C	1059	474C	1059	474D	1059



NOTE: All stators use a No. 1119 mounting screw.

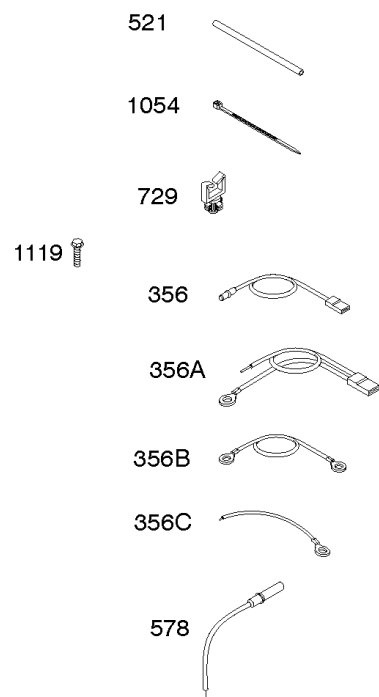
NOTE: The proper flywheel part number and/or the alternator magnet size will determine the alternator type or output. See repair instruction manual for additional information.



Alternator, Electric Starter, Ignition, Rewind Starter

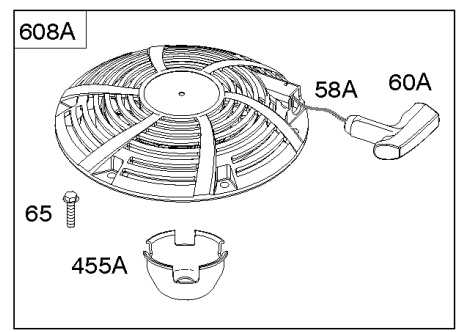
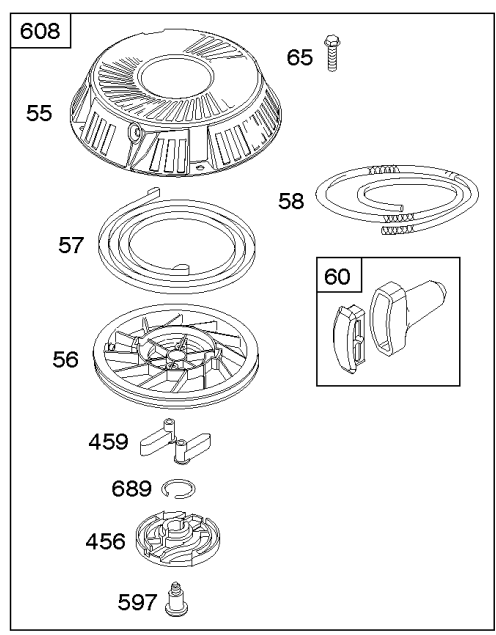
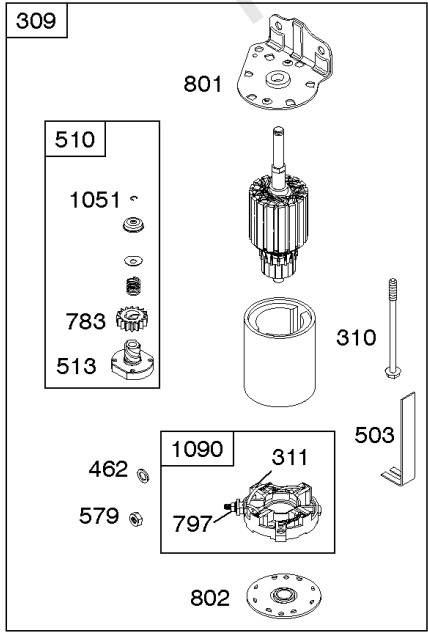
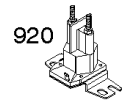
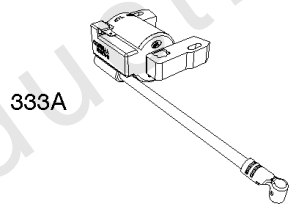
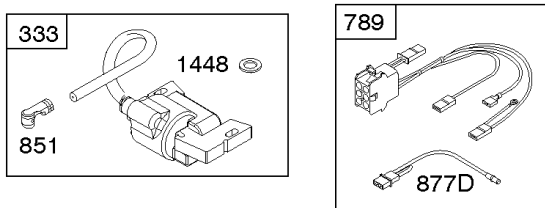
REF NO	PART NO	QTY	DESCRIPTION
55	695130		HOUSING, Rewind Starter
56	695129		PULLEY, Starter
57	695131		SPRING, Rewind Starter
58	695132		ROPE, Starter -Used Before Code Date 12082700
58A	697316		ROPE, Starter -Used After Code Date 12082600
60	493926		GRIP, Starter Rope
60A	281434S		GRIP, Starter Rope
65	690837		SCREW -(Rewind Starter) -Used After Code Date 07040800 -Used Before Code Date 12082700
65	690940		SCREW -(Rewind Starter) -Used After Code Date 12082600
65	697725		SCREW -(Rewind Starter) -Used Before Code Date 07040900
309	693551		MOTOR, Starter
310	690323		BOLT -(Starter Motor)
311	497608		SET, Brush
333	799650		ARMATURE, Magneto
334	691061		SCREW -(Magneto Armature)
356C	399222		WIRE, Stop
455A	796615		CUP, Flywheel -Used After Code Date 12082600
456	695128		PLATE, Pawl Friction -Used Before Code Date 12082700
459	281505S		PAWL, Ratchet -Used Before Code Date 12082700
462	691261		WASHER -(Starter Cable)
474B	592831		ALTERNATOR -(Dual Circuit)
501A	794360		REGULATOR -(5/9 Amp. Regulated)
501D	845907		REGULATOR -(10-16 AMP.)
503	691532		STRAP, Starter
510	693699		DRIVE, Starter
513	692024		CLUTCH, Drive
521	690581		SHIELD, Cable
526A	697088		SCREW -(Regulator) (Regulator)
578	692306		WIRE ASSEMBLY
579	691029		NUT -(Starter Cable)
597	691696		SCREW -(Pawl Friction Plate) -Used Before Code Date 12082700
608	695058		STARTER, Rewind -Used Before Code Date 12082700
608A	591606		STARTER, Rewind -Used After Code Date 12082600
689	691855		SPRING, Friction -(Rewind Starter) -Used Before Code Date 12082700

DC ONLY		DUAL CIRCUIT		5/9 AMP		TRI CIRCUIT		10/16 AMP	
474A	1059	474B	1059	474C	1059	474C	1059	474D	1059



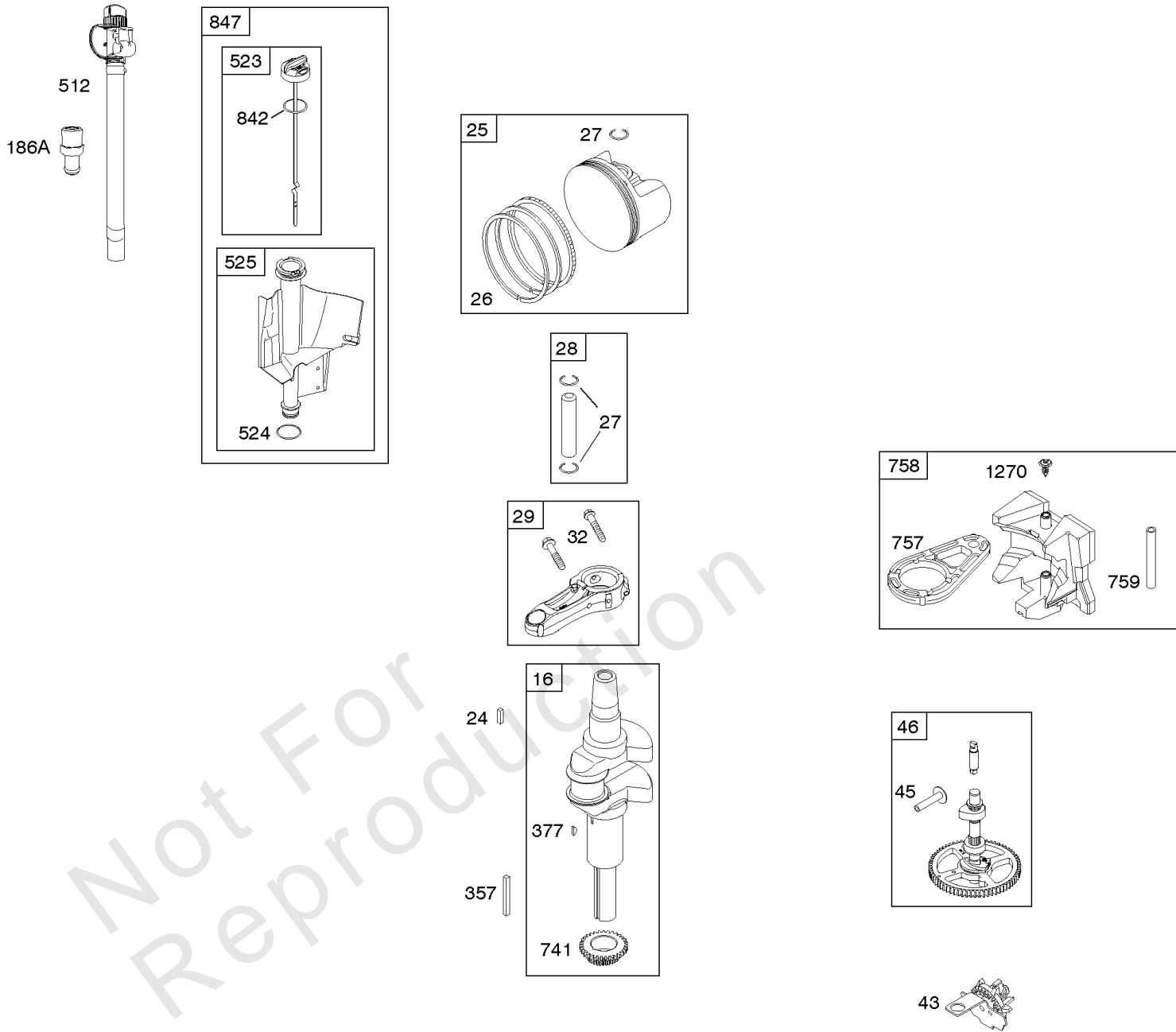
NOTE: All stators use a No. 1119 mounting screw.

NOTE: The proper flywheel part number and/or the alternator magnet size will determine the alternator type or output. See repair instruction manual for additional information.



Alternator, Electric Starter, Ignition, Rewind Starter

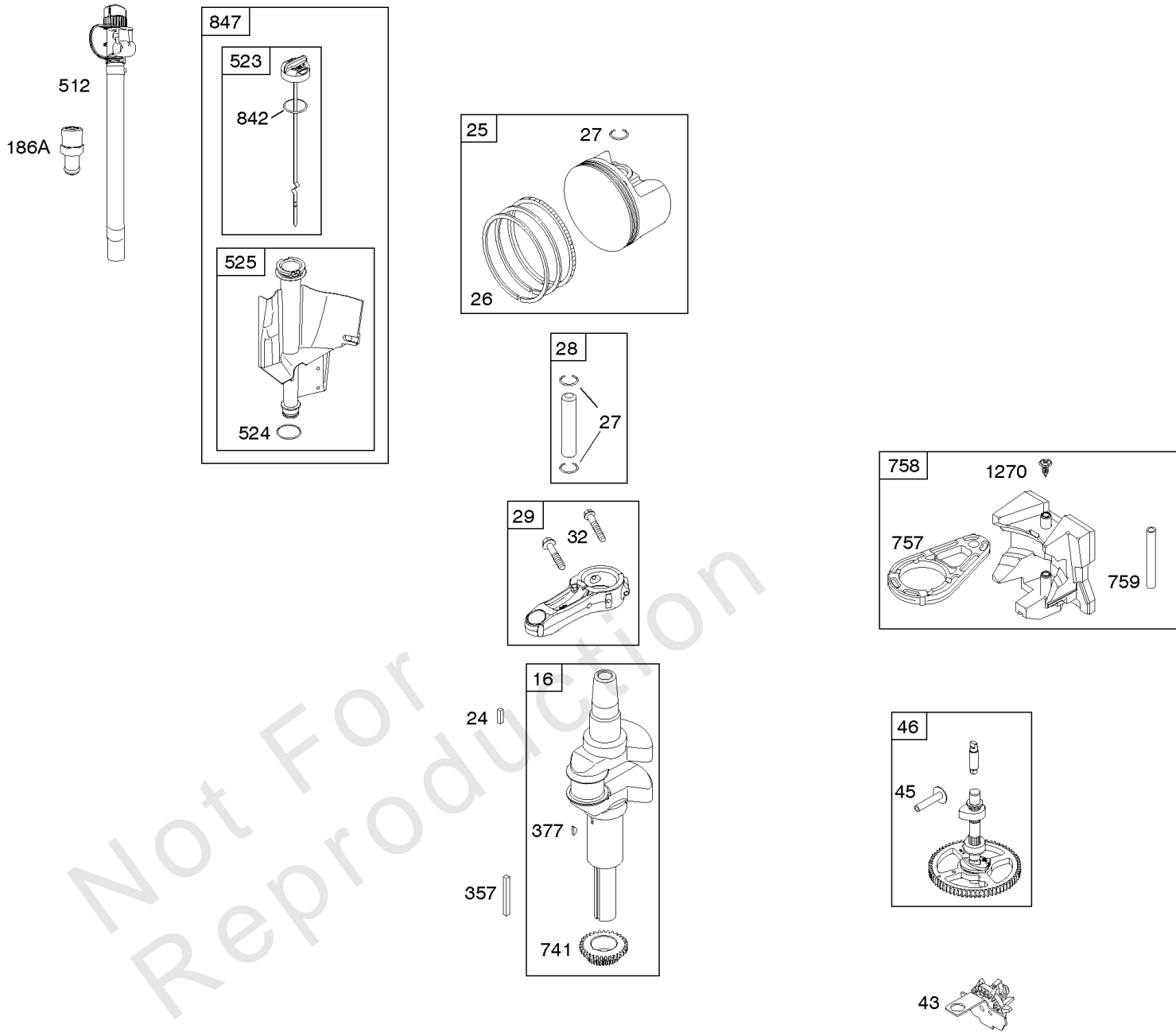
REF NO	PART NO	QTY	DESCRIPTION
697	791680		SCREW -(Starter Motor) (Drive Cap)
729	691335		CLIP, Wire -(Wire Retainer)
729A	691224		CLIP, Wire -(Starter Motor)
783	693713		GEAR, Pinion
789	698329		HARNESS, Wiring
797	693167		NUT -(Brush Retainer)
801	691283		CAP, Drive
802	691286		CAP, End
851	692424		TERMINAL, Spark Plug
877	393456		WIRE/CONNECTOR, Alternator -(Dual Circuit)
877A	393814		WIRE/CONNECTOR, Alternator -(DC Only)
877B	393537		WIRE/CONNECTOR, Alternator -(Tri Circuit Or 5/9 Amp. Regulated)
877C	399916		WIRE/CONNECTOR, Alternator -(10 and 16 Amp Regulated)
877D	790544		WIRE/CONNECTOR, Alternator
878	398661		HARNESS, Wiring
878A	691955		HARNESS, Alternator
920	691656		SOLENOID, Starter
1051	691265		RING, Retaining
1054	280275		TIE, Cable
1059	698516		KIT, Screw/Washer
1090	691293		RETAINER, Brush
1119	691183		SCREW -(Alternator)
1448	690260		WASHER -(Magneto Armature)



Not For
Reproduction

Camshaft, Crankshaft, Lubrication, Piston, Rings, Connecting Rod

REF NO	PART NO	QTY	DESCRIPTION
16	591949		CRANKSHAFT -Used After Code Date 12071600
16	796146		CRANKSHAFT -Used Before Code Date 12071700
24	591757		KEY, Flywheel -Used After Code Date 12071600
24	796335		KEY, Flywheel -Used Before Code Date 12071700
25	797009		PISTON ASSEMBLY -(Standard)
25	797010		PISTON ASSEMBLY -(.020 Oversize)
26	697120		SET, Ring -(.020 Oversize) -Used Before Code Date 09041600
26	698375		SET, Ring -(Standard) -Used Before Code Date 08090200
26	792306		SET, Ring -(Standard) -Used After Code Date 08090100 -Used Before Code Date 09041600
26	797011		SET, Ring -(Standard) -Used After Code Date 09041500
26	797012		SET, Ring -(.020 Oversize) -Used After Code Date 09041500
27	698138		LOCK, Piston Pin -Used Before Code Date 02100400
27	698469		LOCK, Piston Pin -Used After Code Date 02100300
28	697099		PIN, Piston -Used Before Code Date 09041600
28	797013		PIN, Piston -Used After Code Date 09041500
29	791633		ROD, Connecting -(Standard)
32	791118		SCREW -(Connecting Rod)
43	691968		SLINGER, Governor/Oil
45	690564		TAPPET, Valve
46	793880		CAMSHAFT
186A	796532		CONNECTOR, Hose
357	691483		KEY, Drive Pulley
377	691639		KEY, Timing
512	796530		HOSE, Oil Drain
523	699908		DIPSTICK
524	691032		SEAL, O-Ring
525	697184		TUBE, Dipstick
741	697128		GEAR, Timing
757	793242		LINK, Counterweight
758	697391		COUNTERWEIGHT -Used After Code Date 05100200
758	795940		COUNTERWEIGHT -Used Before Code Date 05100300
759	697392		PIN, Counterweight
842	691031		SEAL, O-Ring -(Dipstick Tube)

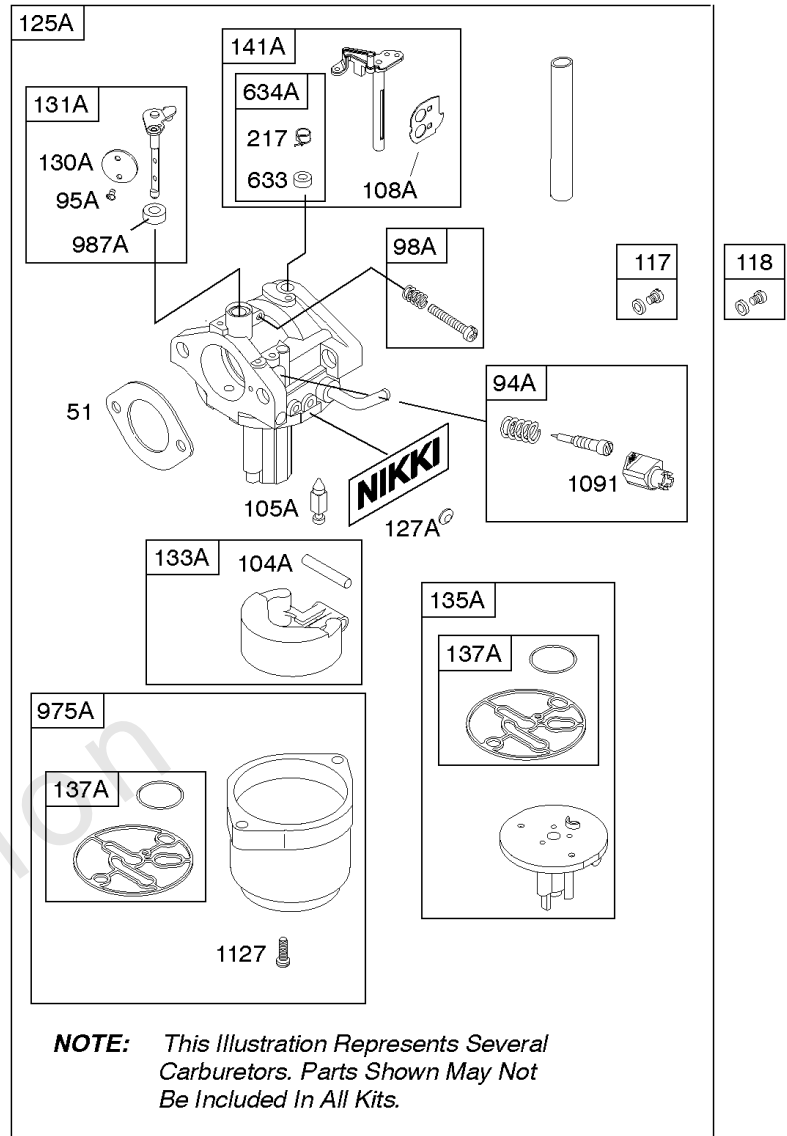
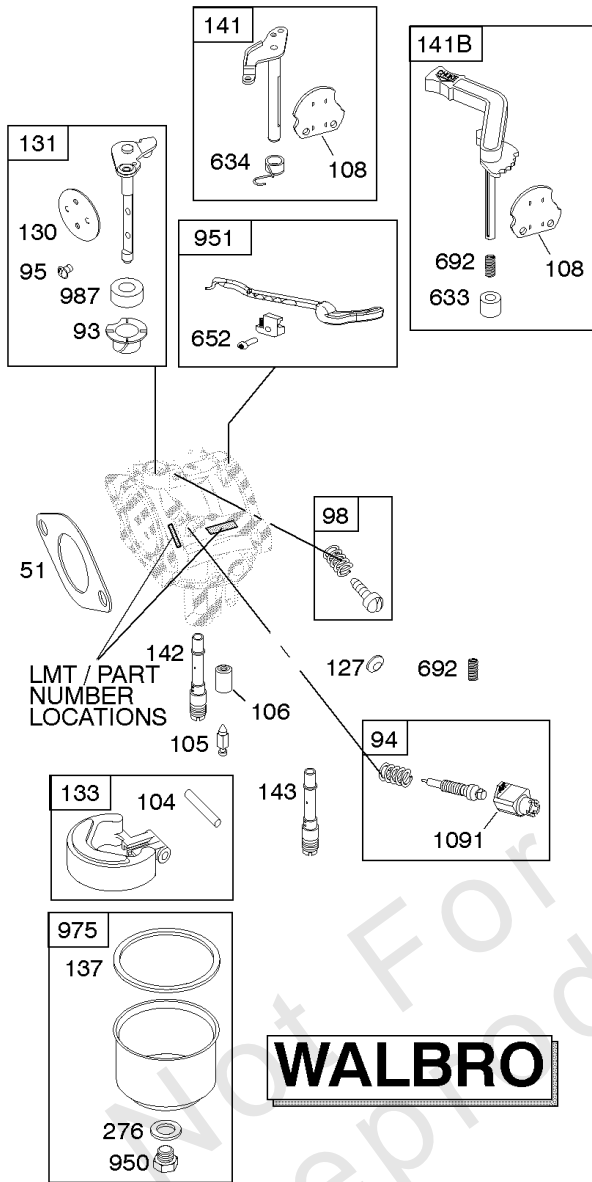


Not For
Reproduction

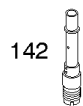
Camshaft, Crankshaft, Lubrication, Piston, Rings, Connecting Rod

REF NO	PART NO	QTY	DESCRIPTION
847	790442		DIPSTICK/TUBE ASSEMBLY
1270	793243		PLUG, AVS Counterweight

Not For Reproduction



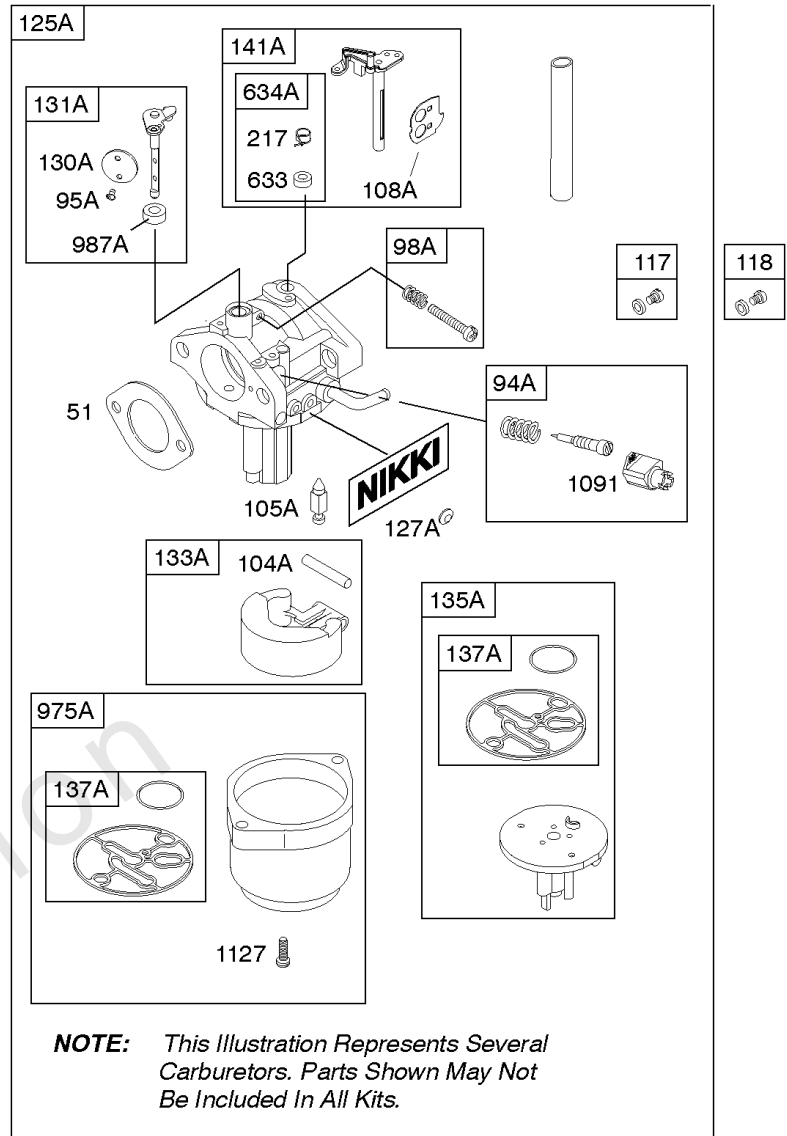
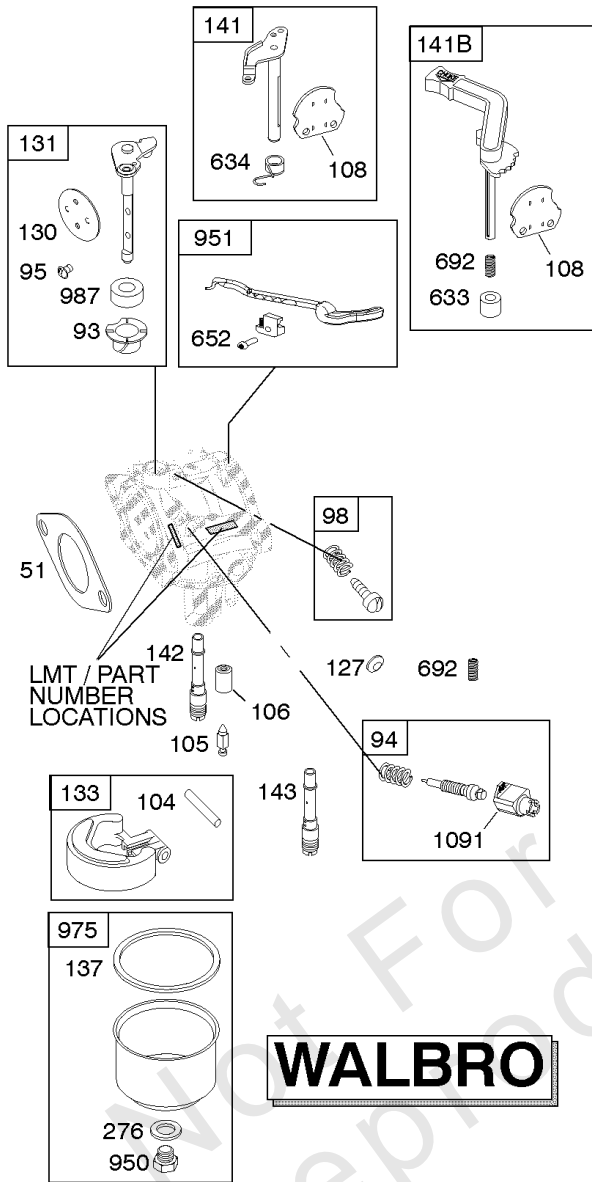
121 CARBURETOR OVERHAUL KIT			
51	104	137	987
	105		617
93	106		1266
95	127	276	634
			1266A



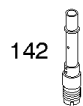
121A CARBURETOR OVERHAUL KIT			
51	127A	137A	98A
104A	987A		
105A	633	1266	217
51A	617	1266A	

Carburetor, Kit - Carburetor Overhaul

REF NO	PART NO	QTY	DESCRIPTION
51	692137		GASKET, Intake
51A	796081		GASKET, Intake
93	690602		BUSHING, Throttle Shaft
94	794176		KIT, Idle Mixture -(Walbro)
94A	793610		KIT, Idle Mixture -(Nikki)
95	691636		SCREW -(Throttle Valve) (Walbro)
95A	690718		SCREW -(Throttle Valve) (Nikki)
98	495800		KIT, Idle Speed -(Idle Speed) (Lmt 54, 55, 91) (Walbro)
98A	695408		KIT, Idle Speed -(Nikki)
104	690525		PIN, Float Hinge -(Walbro)
104A	694918		PIN, Float Hinge -(Nikki)
105	231855S		VALVE, Float Needle -(Walbro)
105A	696136		VALVE, Float Needle -(Nikki)
106	690577		SEAT, Inlet -(Walbro)(Gravity Feed)
106	691780		SEAT, Inlet -(Walbro)(Pump Feed)
108	691227		VALVE, Choke -(Walbro)
108A	698773		VALVE, Choke -(Nikki)
117	699897		JET, Main -(Standard) (Carburetor 698944 and 698945) -Used Before Code Date 07122600
117	794352		JET, Main -(Standard) (Nikki Carburetor 793362 and 793365) -Used After Code Date 07122500 -Used Before Code Date 08110600
117	591936		JET, Main -(Standard) (Nikki Carburetor 794456, 794457, 799244, 799245) -Used After Code Date 08110500
118	699898		JET, Main -(High Altitude) (Carburetor 698944 and 698945) -Used Before Code Date 07122600
118	791405		JET, Main -(High Altitude) (Nikki Carburetor 793362 and 793365) -Used After Code Date 07122500 -Used Before Code Date 08110600
118	698788		JET, Main -(High Altitude) (Nikki Carburetor 794456, 794457, 799244, 799245) -Used After Code Date 08110500
121	796185		KIT, Carburetor Overhaul -(Walbro)
121A	796184		KIT, Carburetor Overhaul -(Nikki)
125A	590399		CARBURETOR -(Nikki) -Used After Code Date 08110500
125A	794653		CARBURETOR -(Nikki) -Used Before Code Date 08110600



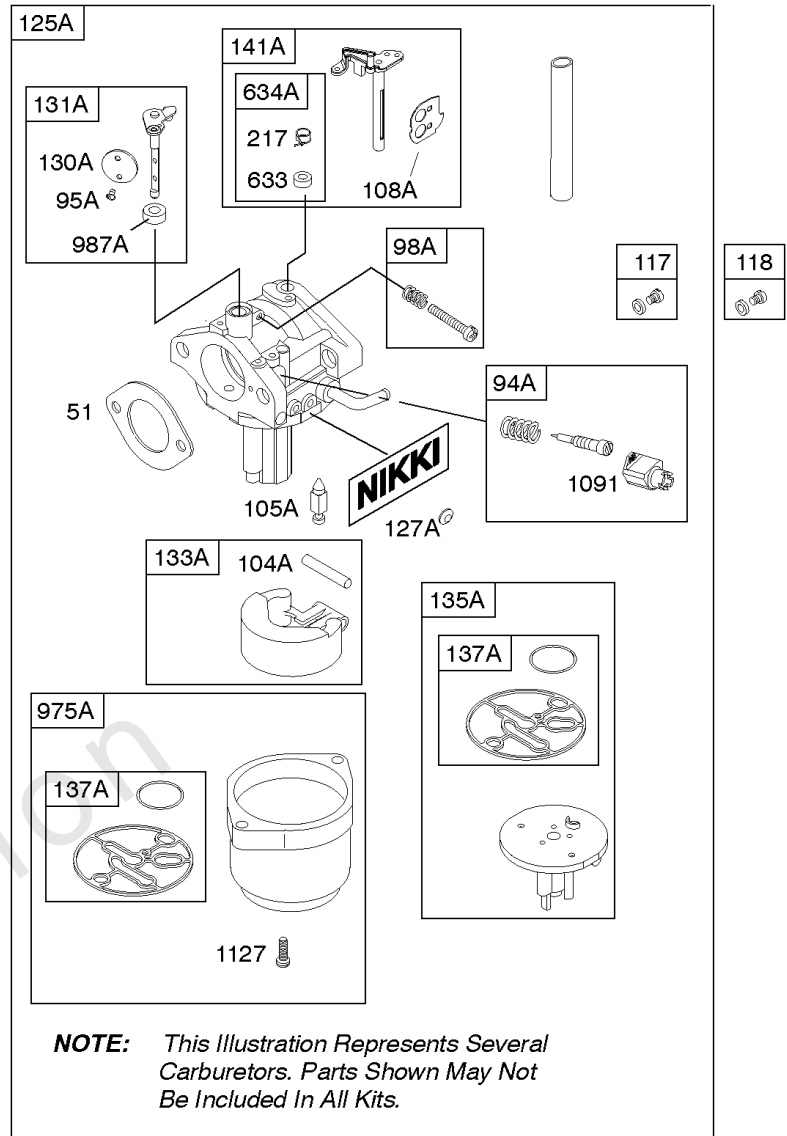
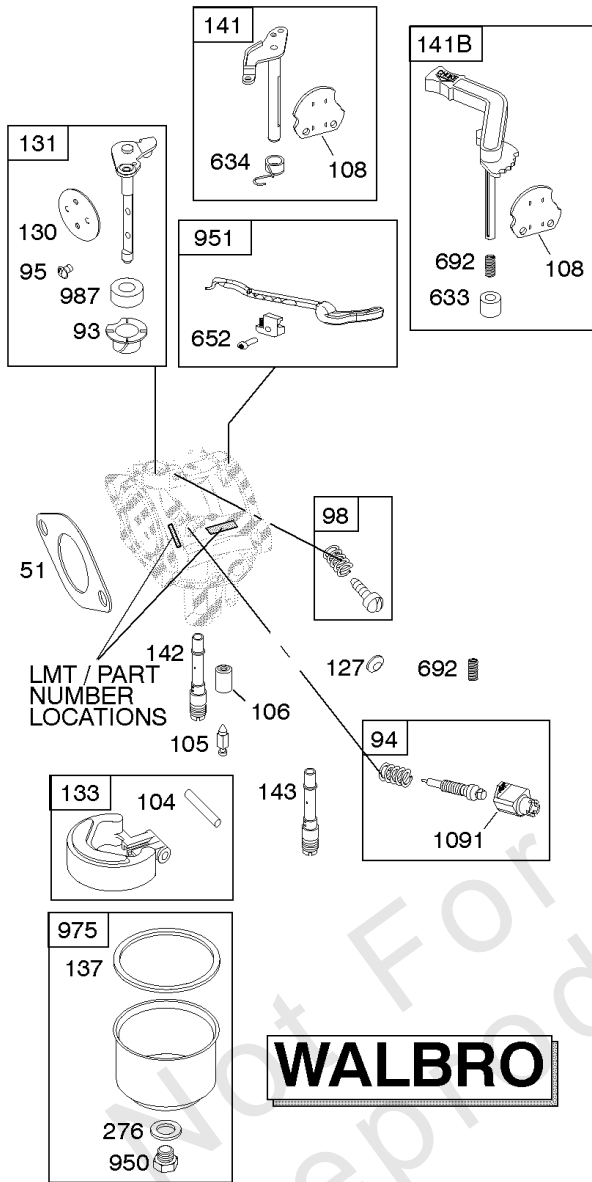
121 CARBURETOR OVERHAUL KIT			
51	104	137	987
	105		617
93	106		1266
95	127	276	634
			1266A



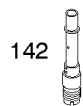
121A CARBURETOR OVERHAUL KIT			
51	127A	137A	98A
104A	987A		
105A	633	1266	217
51A	617	1266A	

Carburetor, Kit - Carburetor Overhaul

REF NO	PART NO	QTY	DESCRIPTION
127	694524		PLUG, Welch -(Walbro)
127A	690727		PLUG, Welch -(Nikki)
130	790024		VALVE, Throttle
130A	698774		VALVE, Throttle -(Nikki)
131	790901		KIT, Throttle Shaft -(Walbro)
131A	698776		KIT, Throttle Shaft -(Nikki)
133	494381		FLOAT, Carburetor -(Walbro)
133A	694914		FLOAT, Carburetor -(Nikki)
135A	698780		TUBE, Fuel Transfer -(Nikki)(Gravity Feed)
135A	792022		TUBE, Fuel Transfer -(Nikki)(Pump Feed)
137	281165S		GASKET, Float Bowl -(Walbro)
137A	698781		GASKET, Float Bowl -(Nikki)
141	790902		KIT, Choke Shaft -(Walbro)
141A	698778		KIT, Choke Shaft -(Nikki)
142	790025		NOZZLE, Carburetor -(Walbro)
143	790028		NOZZLE, Carburetor -(High Altitude) (Walbro)
217	695409		SPRING, Choke Return
276	692255		WASHER, Sealing
617	692138		SEAL, O-Ring -(Intake Manifold)
633	699813		SEAL, Choke/Throttle Shaft -(Nikki)
633	690597		SEAL, Choke/Throttle Shaft -(Walbro)
634	690802		SPRING/SEAL ASSEMBLY -(Walbro)
634A	698779		SPRING/SEAL ASSEMBLY -(Nikki)
652	793380		SCREW -(Support Bracket)
692	691301		SPRING, Detent
950	691657		SCREW -(Float Bowl) (Bottom Of Bowl)
951C	793386		KIT, Choke Shaft -(Manual Choke)
975	495933		BOWL, Float -(Float Bowl) (Walbro)
975A	698783		BOWL, Float -(Nikki)
987	691326		SEAL, Choke/Throttle Shaft -(Walbro)
987A	698777		SEAL, Choke/Throttle Shaft -(Nikki)
1091	691333		CAP, Limiter



121 CARBURETOR OVERHAUL KIT			
51	104	137	987
	105		617
93	106		1266
95	127	276	634
			1266A

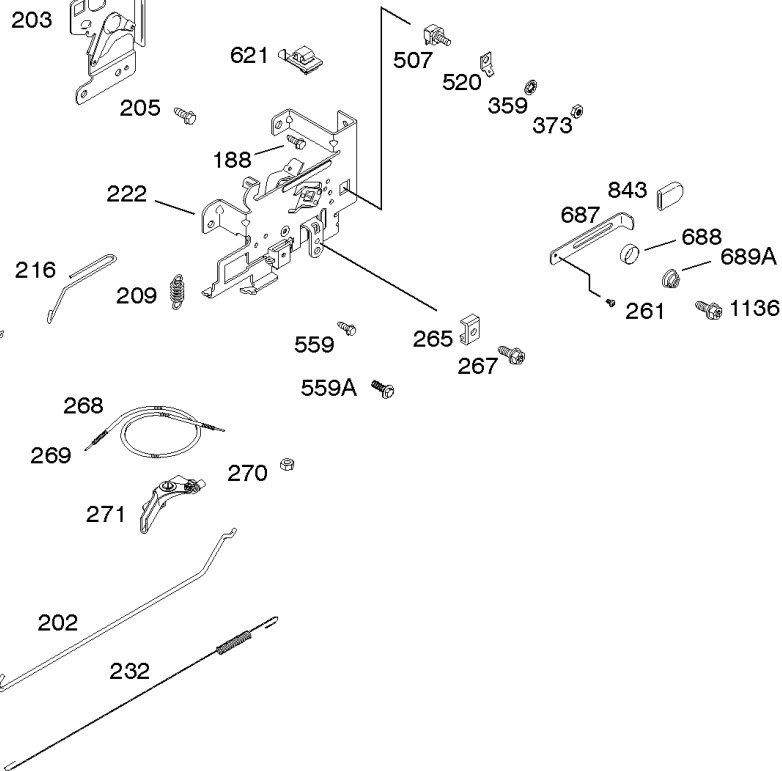
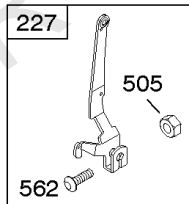
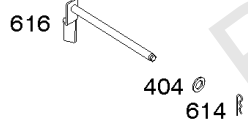
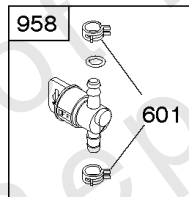
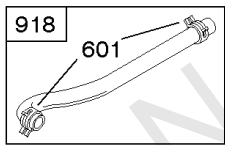
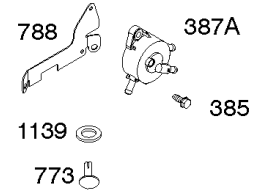
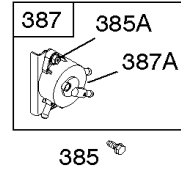
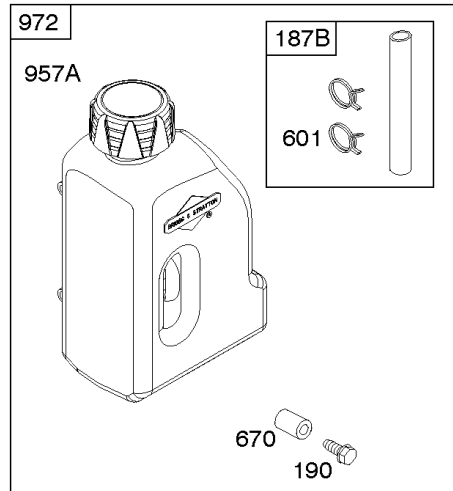
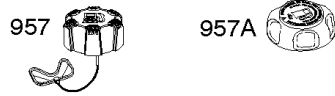
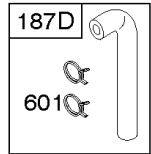
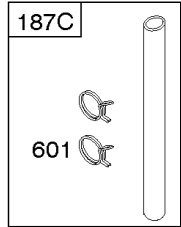
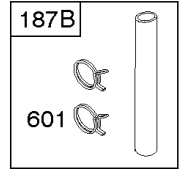
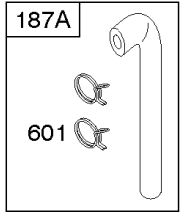
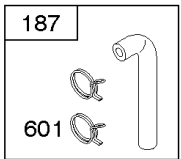


121A CARBURETOR OVERHAUL KIT			
51	127A	137A	98A
104A	987A		
105A	633	1266	217
51A	617	1266A	

Carburetor, Kit - Carburetor Overhaul

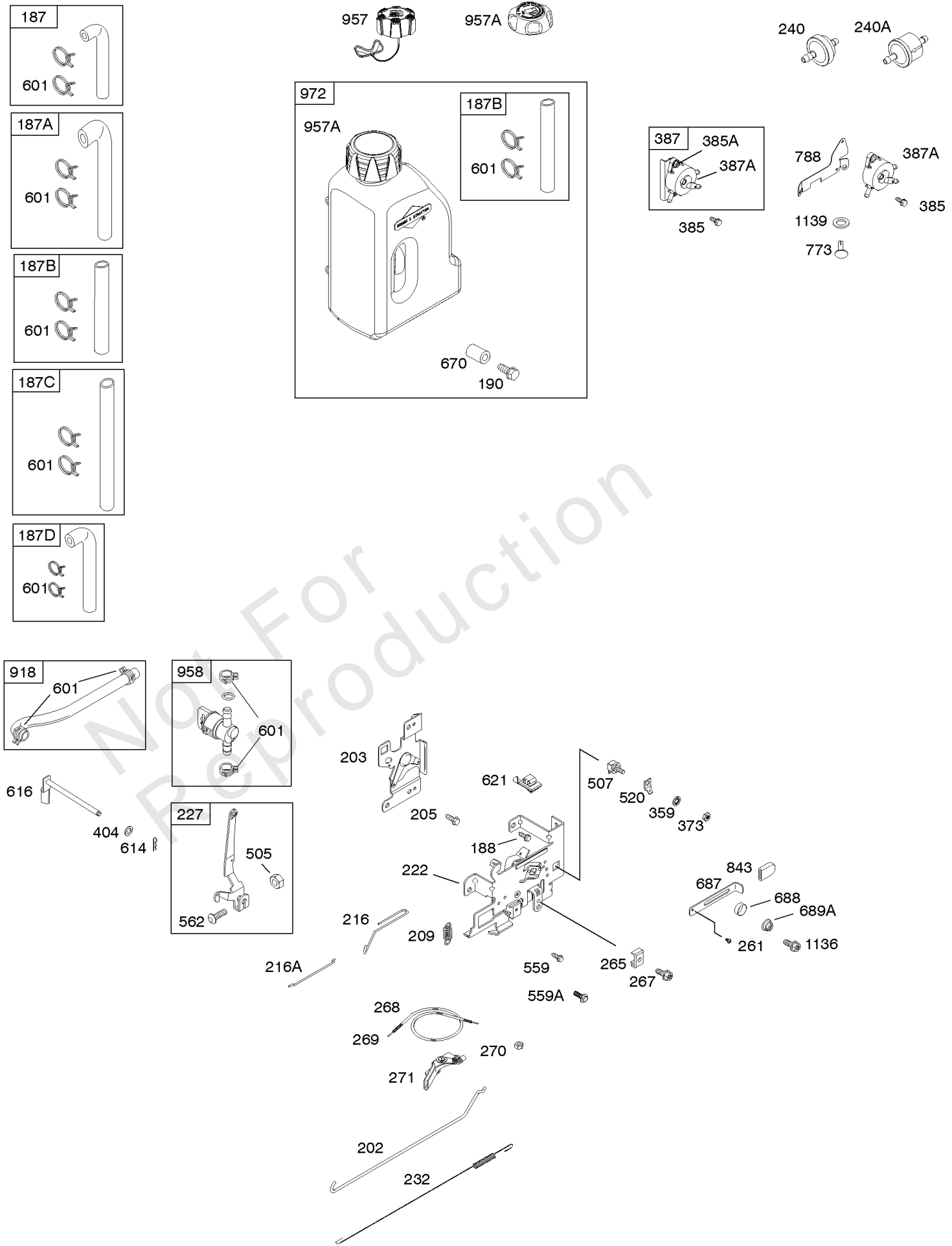
REF NO	PART NO	QTY	DESCRIPTION
1127	695407		SCREW -(Float Bowl) (Float Bowl to Carburetor Body)
1266	691917		SEAL, O-Ring -(Intake Elbow)
1266A	697123		SEAL, O-Ring -(Intake Elbow)

Not For Reproduction



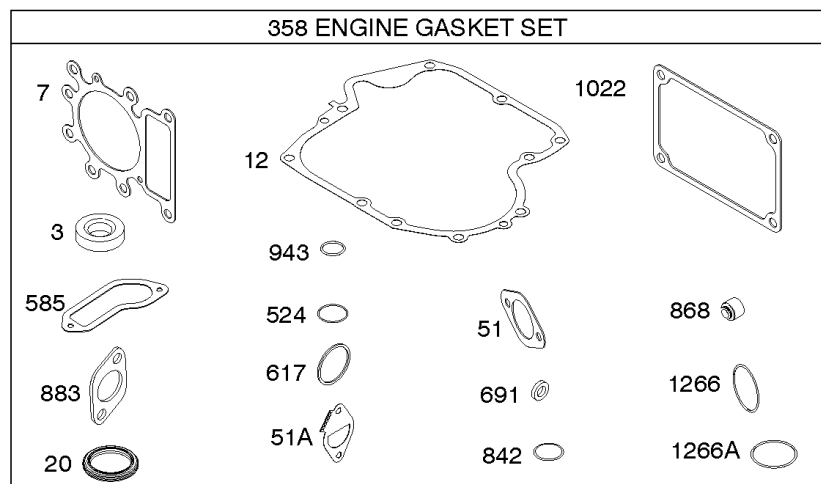
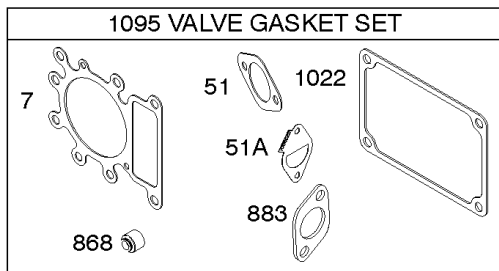
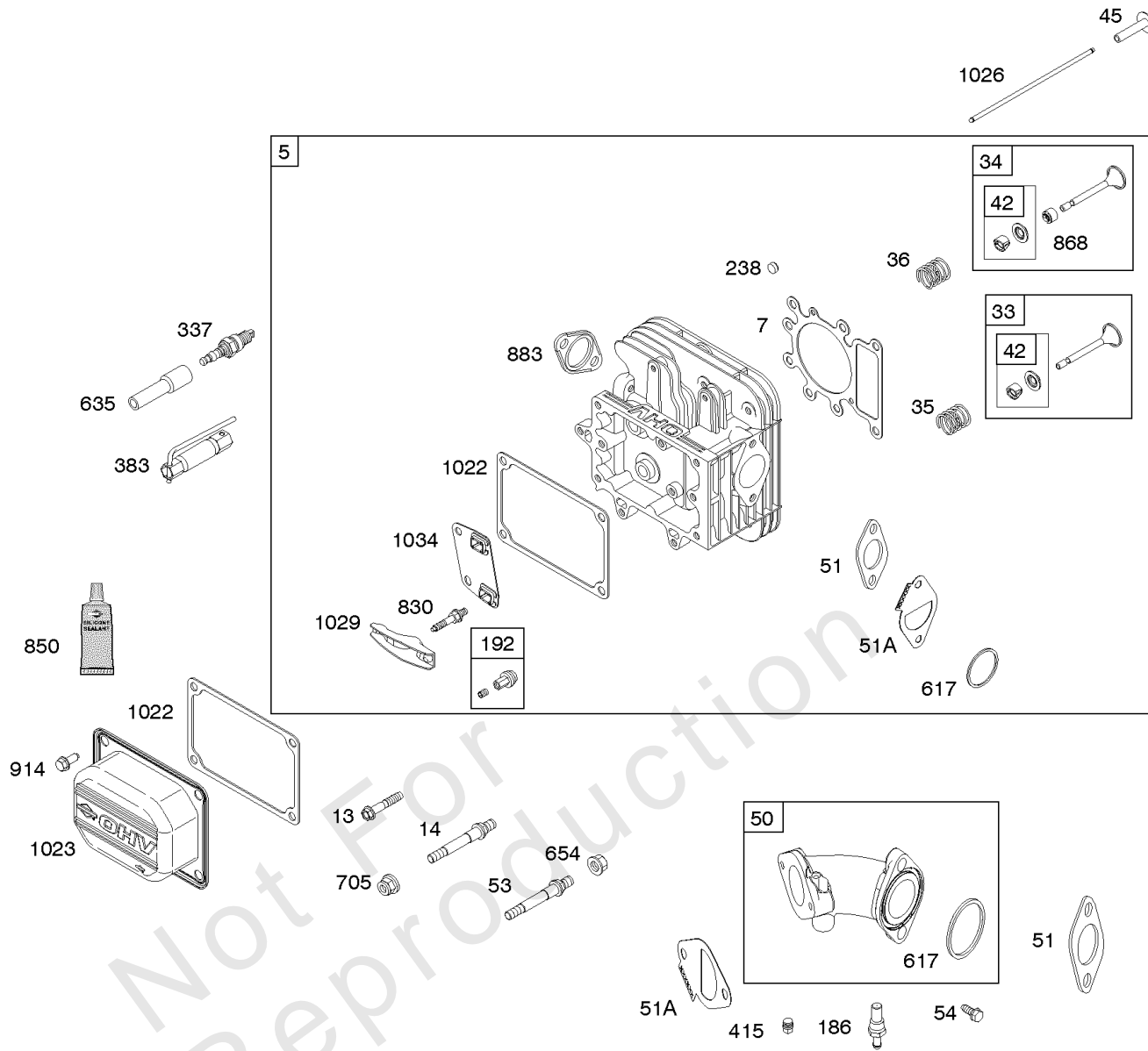
Controls, Fuel Supply, Governor Spring

REF NO	PART NO	QTY	DESCRIPTION
187	791805		LINE, Fuel -(Formed)(10-1/4" Long)(Cut to Required Length)
187A	791806		LINE, Fuel -(Formed)(21)(Cut to Required Length)
187B	791766		LINE, Fuel -(15" Long)(Cut to Required Length)
187C	791745		LINE, Fuel -(23 Inches)(Cut To Required Length)
187D	791744		LINE, Fuel -(Formed)(14 Inches Long)(Cut To Required Length)
188	691693		SCREW -(Control Bracket)
190	796174		SCREW -(Fuel Tank)
202	691841		LINK, Mechanical Governor
203	691381		CRANK, Bell
205	691693		SCREW -(Bell Crank)
209	260902		SPRING, Governor -(Natural)
216	691840		LINK, Choke
222	694042		BRACKET, Control
227	691374		LEVER, Governor Control
232	691842		SPRING, Governor Link
240	394358S		FILTER, Fuel -(White, 75 Microns)
261	697176		SCREW -(Control Slide)
265	691024		CLAMP, Casing
267	794904		SCREW -(Casing Clamp)
268	691025		CASING, Control Wire -(Cut To Required Length)
269	691026		WIRE, Control -(Cut To Required Length)
270	691027		NUT -(Control Wire Casing)
271	691028		LEVER, Control
359	691077		WASHER -(Ground Terminal)
373	691612		NUT -(Ground Terminal)
385	694476		SCREW -(Fuel Pump)
385A	690297		SCREW -(Fuel Pump)
387	697090		PUMP, Fuel -(Includes Mounting Bracket) -Used Before Code Date 08073000
387A	808656		PUMP, Fuel
404	691691		WASHER -(Governor Crank)
505	691251		NUT -(Governor Control Lever)
507	691972		INSULATOR
520	691084		TERMINAL, Ground
559	697561		SCREW -(Remote Choke Stop) (Length .375 Inches)



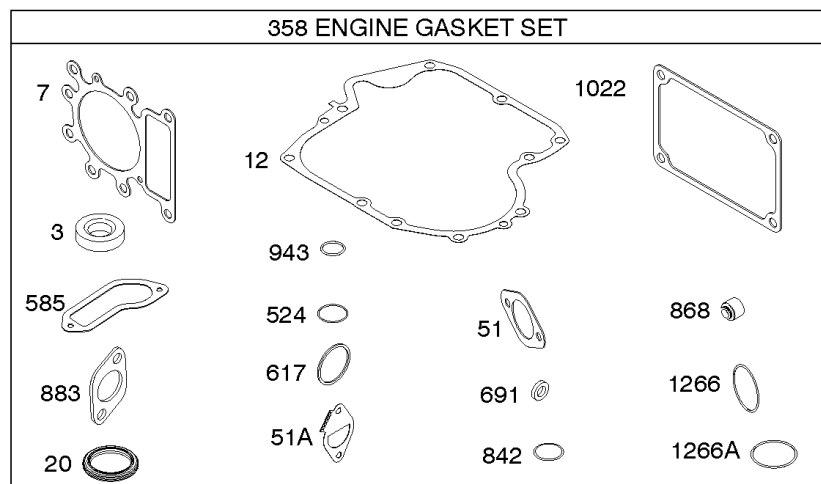
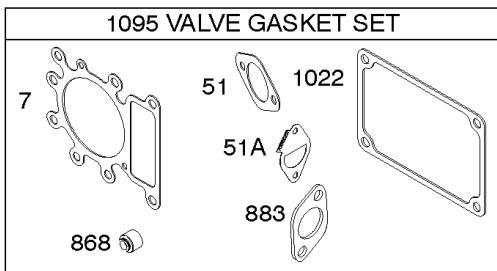
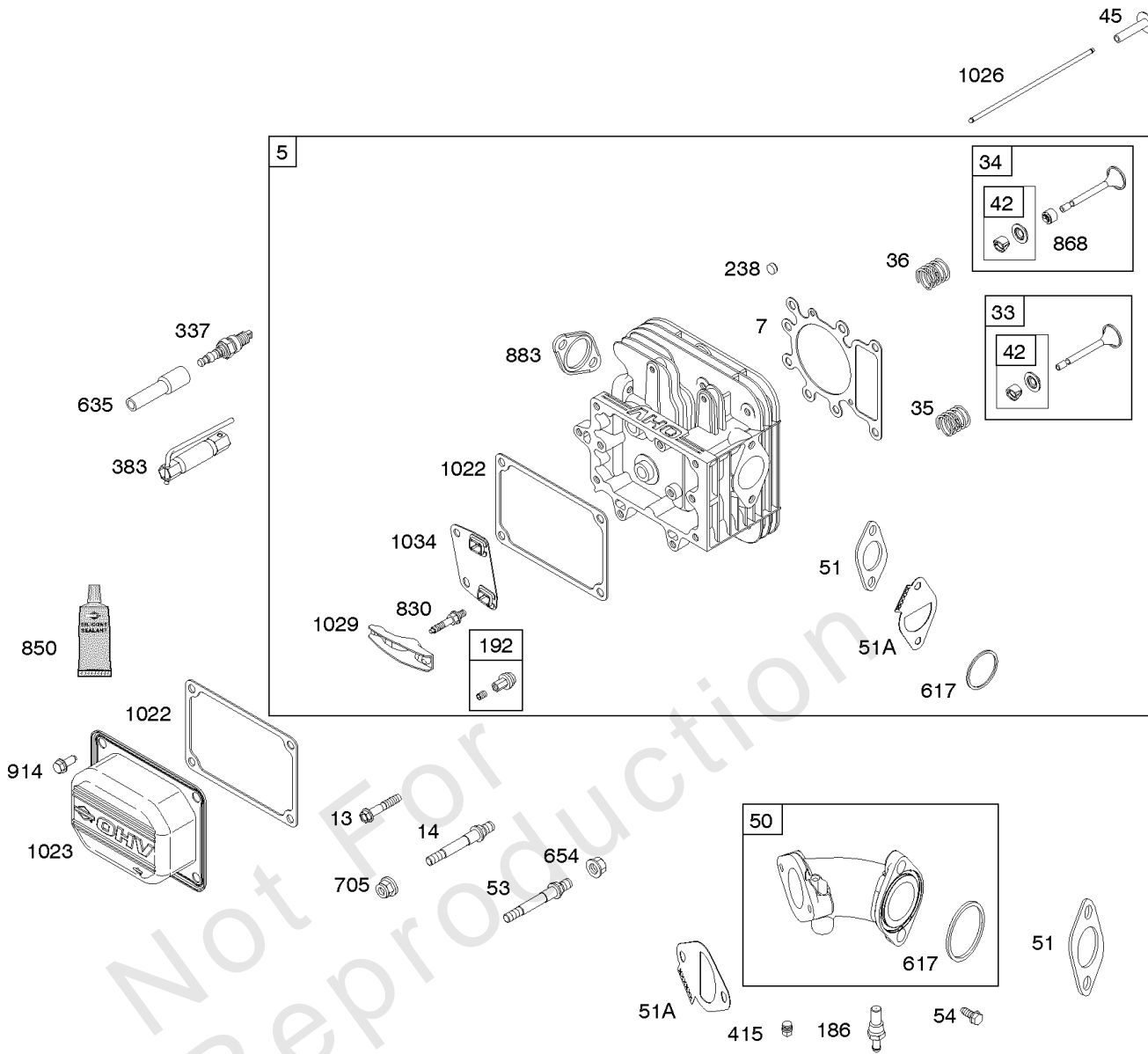
Controls, Fuel Supply, Governor Spring

REF NO	PART NO	QTY	DESCRIPTION
559A	693675		SCREW -(Remote Choke Stop) (Length .419 Inches)
562	691119		BOLT -(Governor Control Lever)
601	791850		CLAMP, Hose -(Green)
614	691620		PIN, Cotter
616	692012		CRANK, Governor
621	692310		SWITCH, Stop
670	796175		SPACER, Fuel Tank
687	697175		SLIDE, Control
688	690395		CAP, Friction
689A	690529		SPRING, Friction -(Control Bracket)
773	796448		RETAINER
843	697158		SLEEVE, Lever
918	791851		HOSE, Vacuum -(Molded)
957A	795027		CAP, Fuel Tank -(Standard)
958	698183		VALVE, Fuel Shut Off
972	792168		TANK, Fuel -(Plastic) (Standard)
1136	690278		SCREW -(Control Bracket)
1139	796449		WASHER -(Fuel Pump Bracket)



Cylinder Head, Gasket Set - Engine, Gasket Set - Valve, Intake Manifold, Valves

REF NO	PART NO	QTY	DESCRIPTION
3	391086S		SEAL, Oil -(Magneto Side)
5	796183		HEAD, Cylinder
7	273280S		GASKET, Cylinder Head
9	697109		GASKET, Breather -(After Date Code Use Liquid Sealant Reference 850) -Used Before Code Date 07071900
12	697110		GASKET, Crankcase -(.015" Thick)(Standard)
13	690360		SCREW -(Cylinder Head)
14	790560		STUD -(Cylinder Head)
20	795387		SEAL, Oil -(PTO Side)
33	792868		VALVE, Exhaust
34	791935		VALVE, Intake
35	691279		SPRING, Valve -(Intake)
36	691279		SPRING, Valve -(Exhaust)
42	499586		KEEPER, Valve
45	690564		TAPPET, Valve
50	592845		MANIFOLD, Intake
51	692137		GASKET, Intake
51A	796081		GASKET, Intake
53	690227		STUD -(Carburetor) -Used Before Code Date 11120200
53	591260		STUD -(Carburetor) -Used After Code Date 11120100
54	691148		SCREW -(Intake Manifold)
186	794873		CONNECTOR, Hose
192	691986		ADJUSTER, Rocker Arm
238	691843		CAP, Valve
337	491055S		PLUG, Spark -(Resistor)
358	796181		GASKET SET, Engine
383	19576S		WRENCH, Spark Plug
524	691032		SEAL, O-Ring
617	692138		SEAL, O-Ring -(Intake Manifold)
635	691909		BOOT, Spark Plug
654	690958		NUT -(Carburetor)
691	692407		SEAL, Governor Shaft
705	790561		NUT -(Fuel Tank)
830	691095		STUD, Rocker Arm
842	691031		SEAL, O-Ring -(Dipstick Tube)
850	100106		SEALANT, Liquid
868	690968		SEAL, Valve
883	692236		GASKET, Exhaust
914	691108		SCREW -(Rocker Cover)



Cylinder Head, Gasket Set - Engine, Gasket Set - Valve, Intake Manifold, Valves

REF NO	PART NO	QTY	DESCRIPTION
943	690589		SEAL, O-Ring -(Oil Pump Cover)
1022	272475S		GASKET, Rocker Cover -(After Date Code Use Liquid Sealant Reference 850) -Used Before Code Date 07091000
1023	797421		COVER, Rocker -Used After Code Date 09081000
1026	697394		ROD, Push -(Intake)
1026	794573		ROD, Push -(Exhaust)
1029	691751		ARM, Rocker
1034	690822		GUIDE, Push Rod
1095	796189		GASKET SET, Valve
1266	691917		SEAL, O-Ring -(Intake Elbow)
1266A	697123		SEAL, O-Ring -(Intake Elbow)

Not For Reproduction

1319 WARNING LABEL

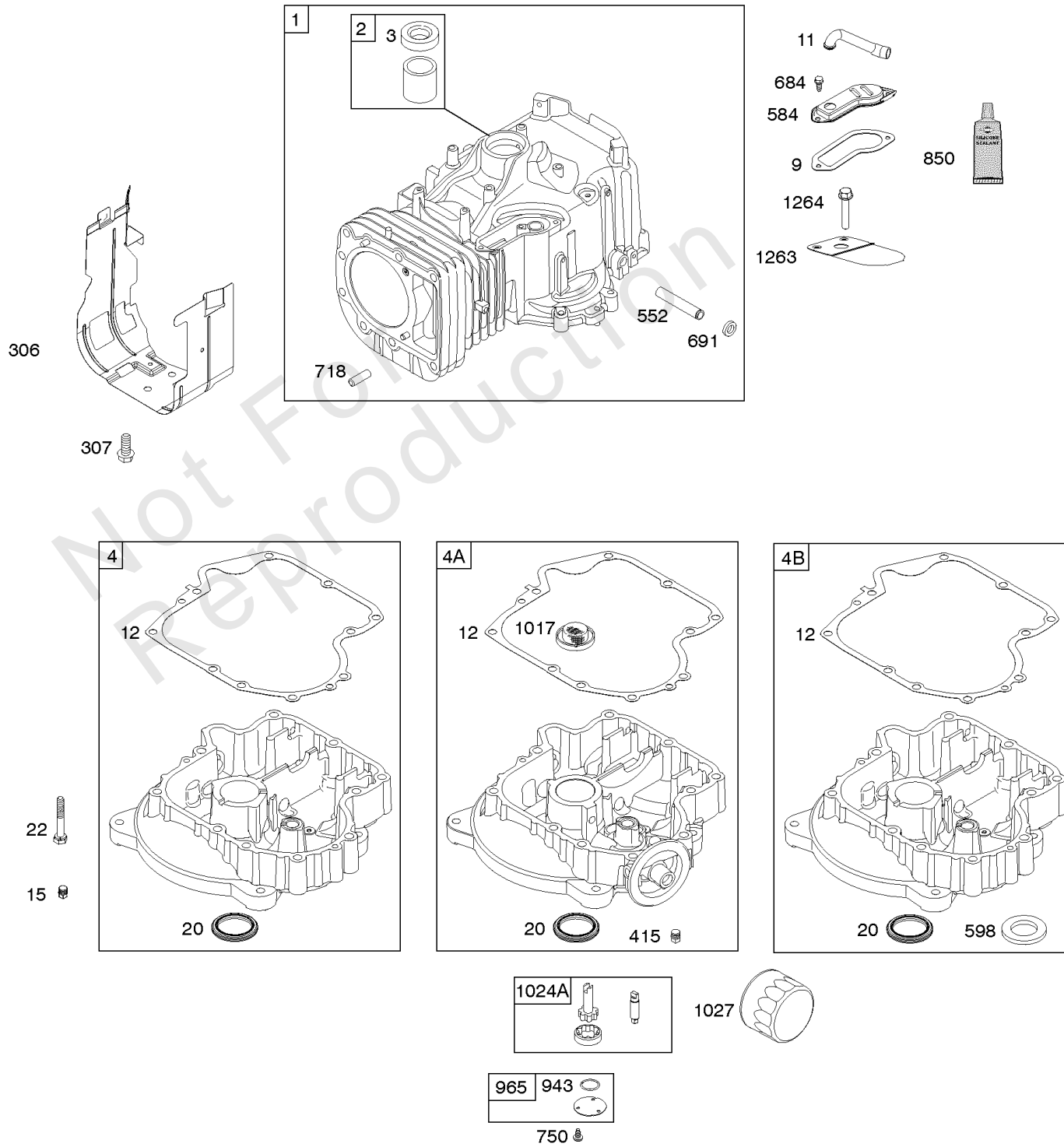
REQUIRED when replacing parts with warning labels affixed.

1319A WARNING LABEL

REQUIRED when replacing parts with warning labels affixed.

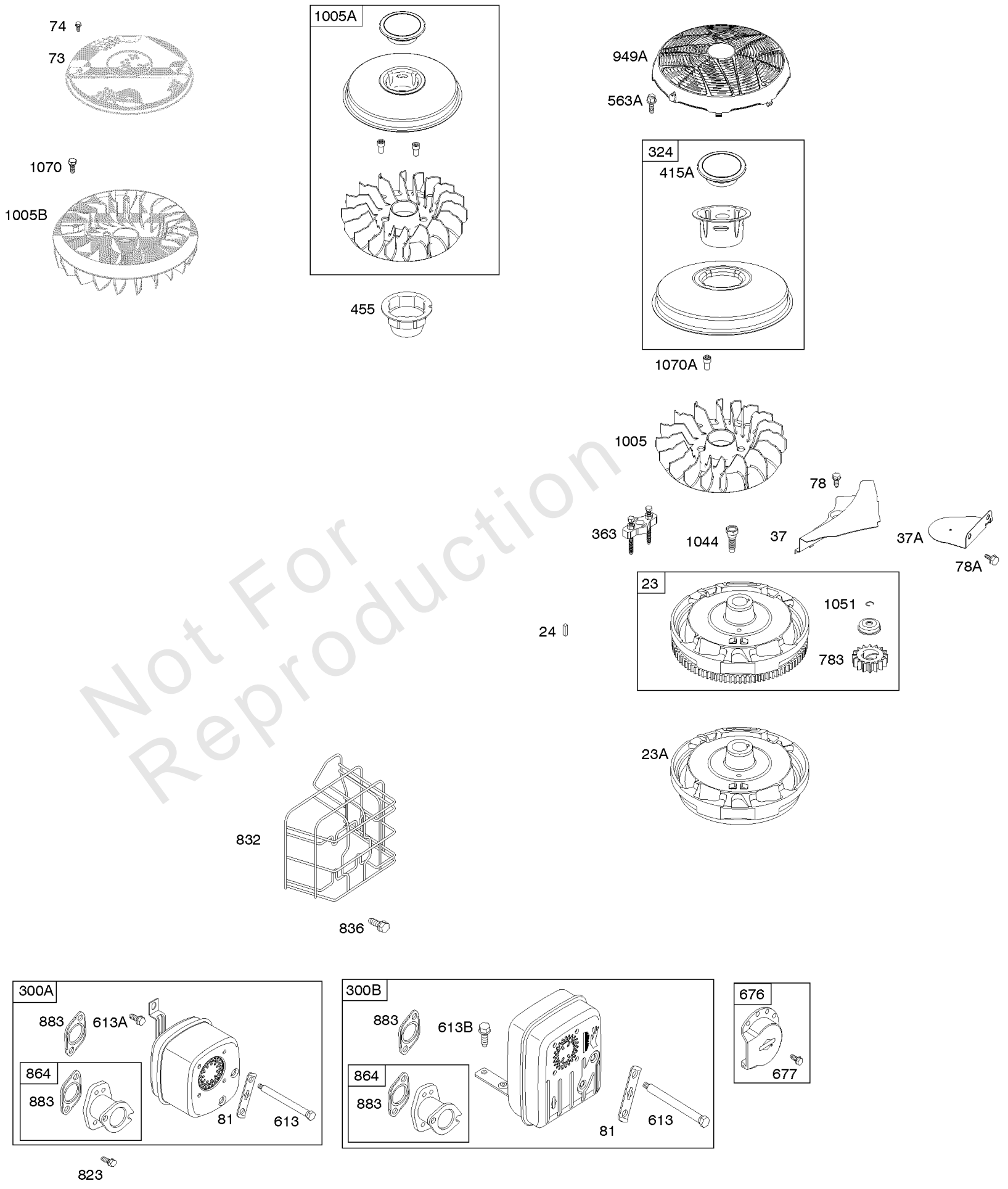
1058 OPERATOR'S MANUAL

1036 EMISSIONS LABEL



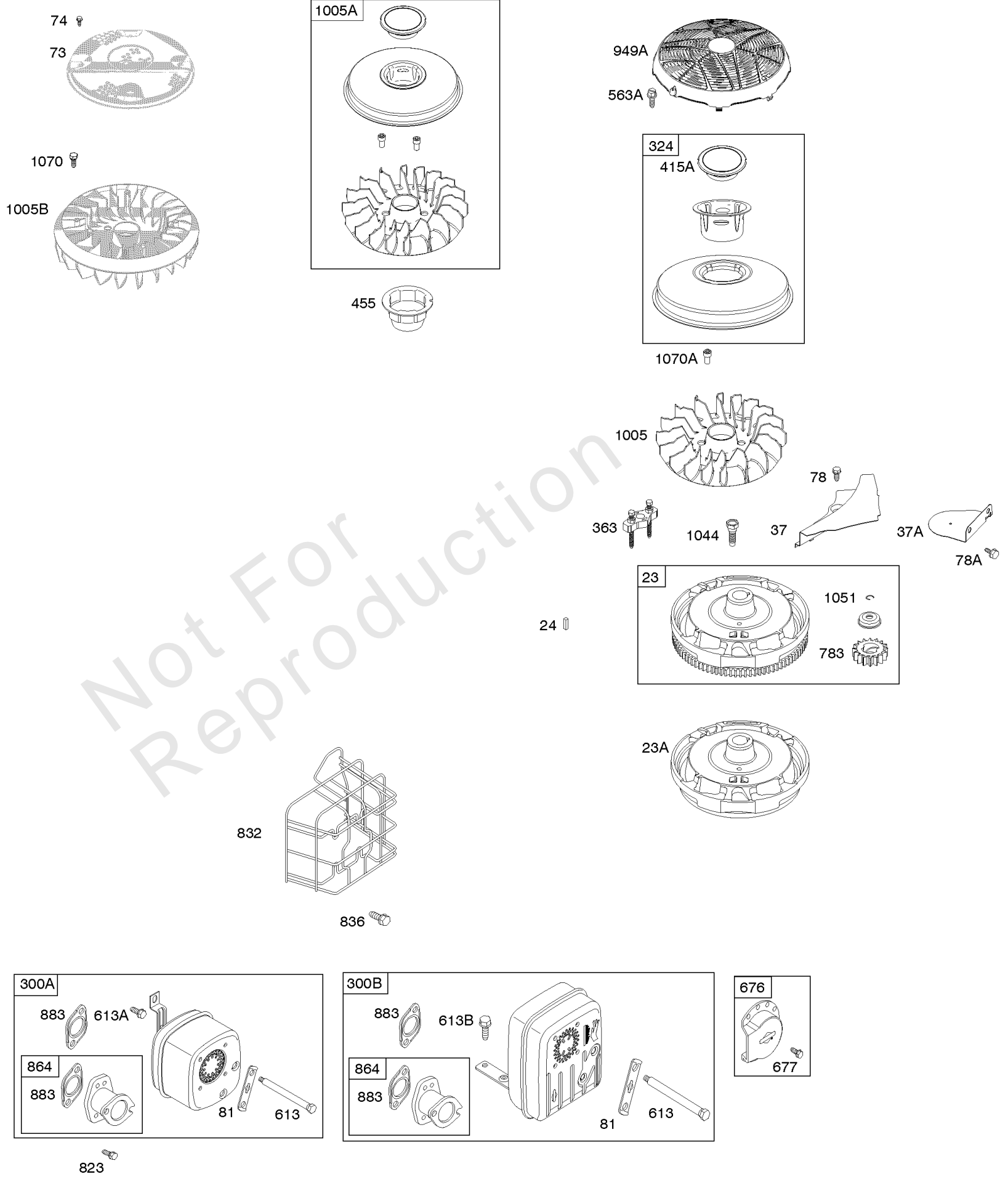
Cylinder, Engine Sump, Lubrication, Operator's Manual, Warning Label

REF NO	PART NO	QTY	DESCRIPTION
1	697377		CYLINDER ASSEMBLY
2	797673		KIT, Bushing/Seal -(Magneto Side)
3	391086S		SEAL, Oil -(Magneto Side)
4	795940		COUNTERWEIGHT -(Must Use Kit 795940, Includes Sump And Counterweight) -Used Before Code Date 05100300
4	697106		SUMP, Engine -Used After Code Date 05100200
9	697109		GASKET, Breather -(After Date Code Use Liquid Sealant Reference 850) -Used Before Code Date 07071900
11	794683		TUBE, Breather
12	697110		GASKET, Crankcase -(.015" Thick)(Standard)
15	690946		PLUG, Oil Drain -(3/8" Standard)
20	795387		SEAL, Oil -(PTO Side)
22	692125		SCREW -(Crankcase Cover/Sump)
306	592778		SHIELD, Cylinder
307	691693		SCREW -(Cylinder Shield)
552	697144		BUSHING, Governor Crank
584	794682		COVER, Breather Passage
598	799739		SHIM, End Play -(Crankshaft or Camshaft Bearing)
684	697157		SCREW -(Breather Passage Cover)
691	692407		SEAL, Governor Shaft
718	690959		PIN, Locating
750	790832		SCREW -(Oil Pump Cover)
850	100106		SEALANT, Liquid
943	690589		SEAL, O-Ring -(Oil Pump Cover)
965	499613		COVER, Oil Pump
1017	796981		SCREEN, Oil Pump
1024A	794644		SHAFT, Pump
1027	492932S		FILTER, Oil -(Standard)
1036	-----		Label-Emissions -(Available From A Briggs & Stratton Authorized Dealer)
1058	276344WST		MANUAL, Operator's
1058	276344TRI		MANUAL, Operator's
1058	276344ZH		MANUAL, Operator's
1263	697124		REED, Breather
1264	697104		SCREW -(Breather Reed)
1319	794467		LABEL, Warning
1319A	797669		LABEL, Warning



Exhaust System, Flywheel

REF NO	PART NO	QTY	DESCRIPTION
23	698281		FLYWHEEL -Used Before Code Date 12071700
23	591759		FLYWHEEL -Used After Code Date 12071600
24	796335		KEY, Flywheel -Used Before Code Date 12071700
24	591757		KEY, Flywheel -Used After Code Date 12071600
37	697352		GUARD, Flywheel
73	-----		Screen-Rotating -(No Longer Available)(See Reference 1005A for Service Flywheel Fan) -Used Before Code Date 07040900
74	697897		SCREW -(Rotating Screen) -Used Before Code Date 07040900
78	691693		SCREW -(Flywheel Guard)
78A	690364		SCREW -(Flywheel Guard)
81	691178		LOCK, Muffler Screw
300A	796000		MUFFLER
324	796308		SCREEN/CUP ASSEMBLY -Used After Code Date 07040800
363	19203		PULLER, Flywheel
415A	794129		PLUG -(Cover/Retainer) -Used After Code Date 07040800
455	695113		CUP, Flywheel -Used Before Code Date 12082700
563A	799359		SCREW -(Debris Screen Guard)
613	691416		SCREW -(Muffler)
613A	691678		SCREW -(Muffler)
613B	690297		SCREW -(Muffler)
676	795036		DEFLECTOR, Muffler -(Side Out)
677	690661		SCREW -(Muffler Deflector)
783	693713		GEAR, Pinion
823	698941		SCREW -(Muffler Adapter)
832	790244		GUARD, Muffler
836	690367		SCREW -(Muffler Guard)
864	796002		ADAPTER, Muffler -(2 1/4" Long)
883	692236		GASKET, Exhaust
949A	799358		GUARD, Debris Screen
1005	796082		FAN, Flywheel -Used After Code Date 07040800
1005A	796200		FAN, Flywheel -Used Before Code Date 07040900
1005B	-----		Fan-Flywheel -(No Longer Available)(See Reference 1005A for Service Flywheel Fan)
1044	698139		SCREW -(Flywheel)



Exhaust System, Flywheel

REF NO	PART NO	QTY	DESCRIPTION
1051	691265		RING, Retaining
1070	791680		SCREW -(Flywheel Fan) -Used Before Code Date 07040900
1070A	690363		SCREW -(Flywheel Fan) -Used After Code Date 07040800 -Used Before Code Date 08061900

Not For Reproduction

Replacement Engine - Europe, Middle East & Africa

REF NO	PART NO	QTY	DESCRIPTION
	21R8770015B5CC0001		Replacement Engine
	-----		Top No-Load Speed: 3200
	-----		Service Note: 9A REGULATED ALTERNATOR EQUIPPED
	-----		Service Note: IF ORIGINAL ENGINE IS L-HEAD/SIDEVALVE, CHECK NEW ENGINE DIMENSIONS WILL FIT EQUIPMENT
	-----		Service Note: IF ORIGINAL ENGINE IS L-HEAD/SIDEVALVE EXHAUST MODIFICATION/FABRICATION WILL BE REQUIRED
	-----		Service Note: NEW ENGINE HAS OIL FILTER (CHECK DIMENSIONS)
	-----		Service Note: REWIND START & ELECTRIC START

Not For Reproduction

Replacement Engine - US & Canada

REF NO	PART NO	QTY	DESCRIPTION
	2199073026	1	Replacement Engine
	697740	1	Replacement Short Block
	-----		Short Block Note: Engines Built Prior to 07/12/2012 should use short block 697740. Engines built on or after 07/12/2012 should use short block 592055.

Not For Reproduction

