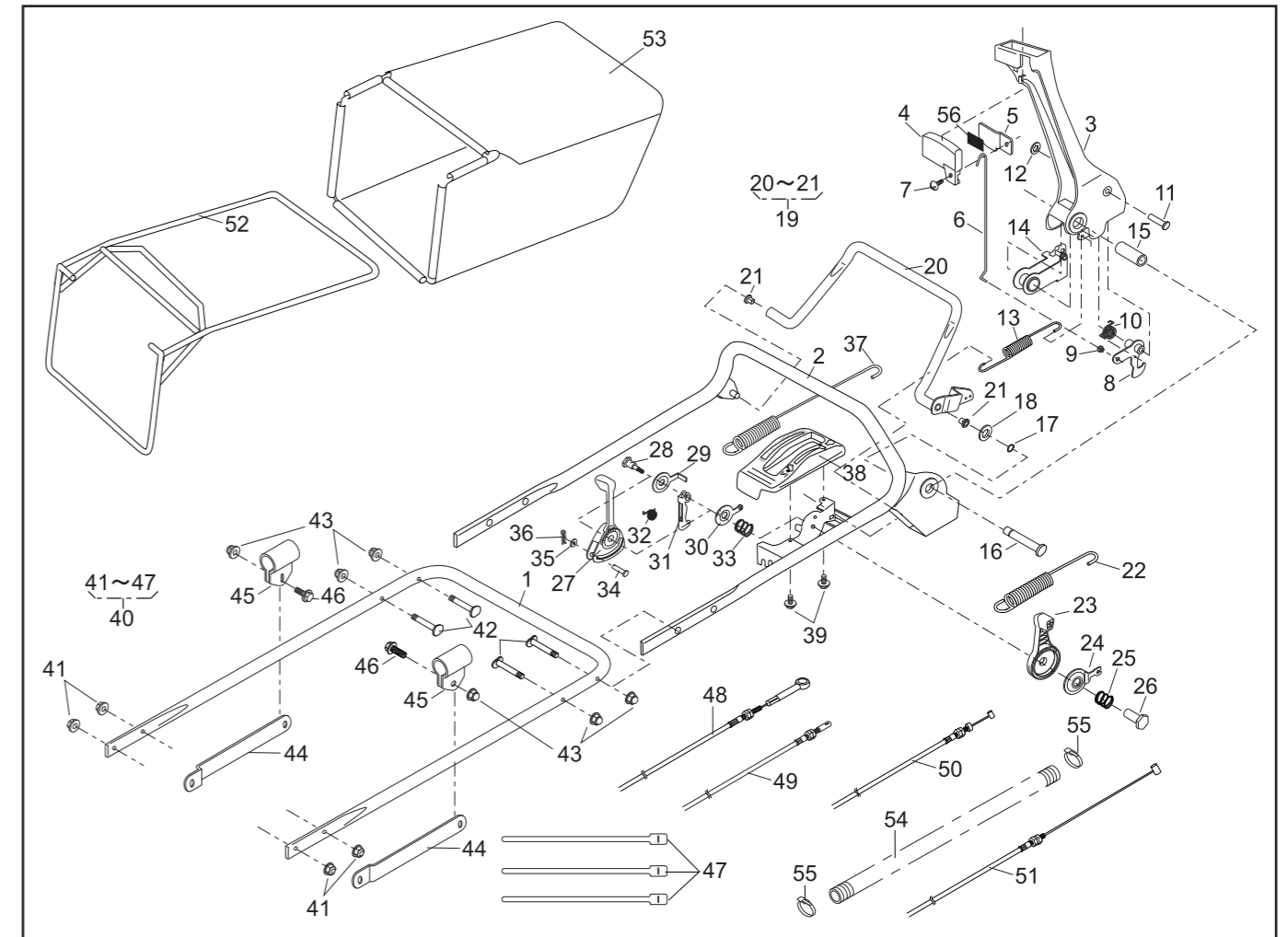


PARTS LIST

P/L No. 46014-482-00

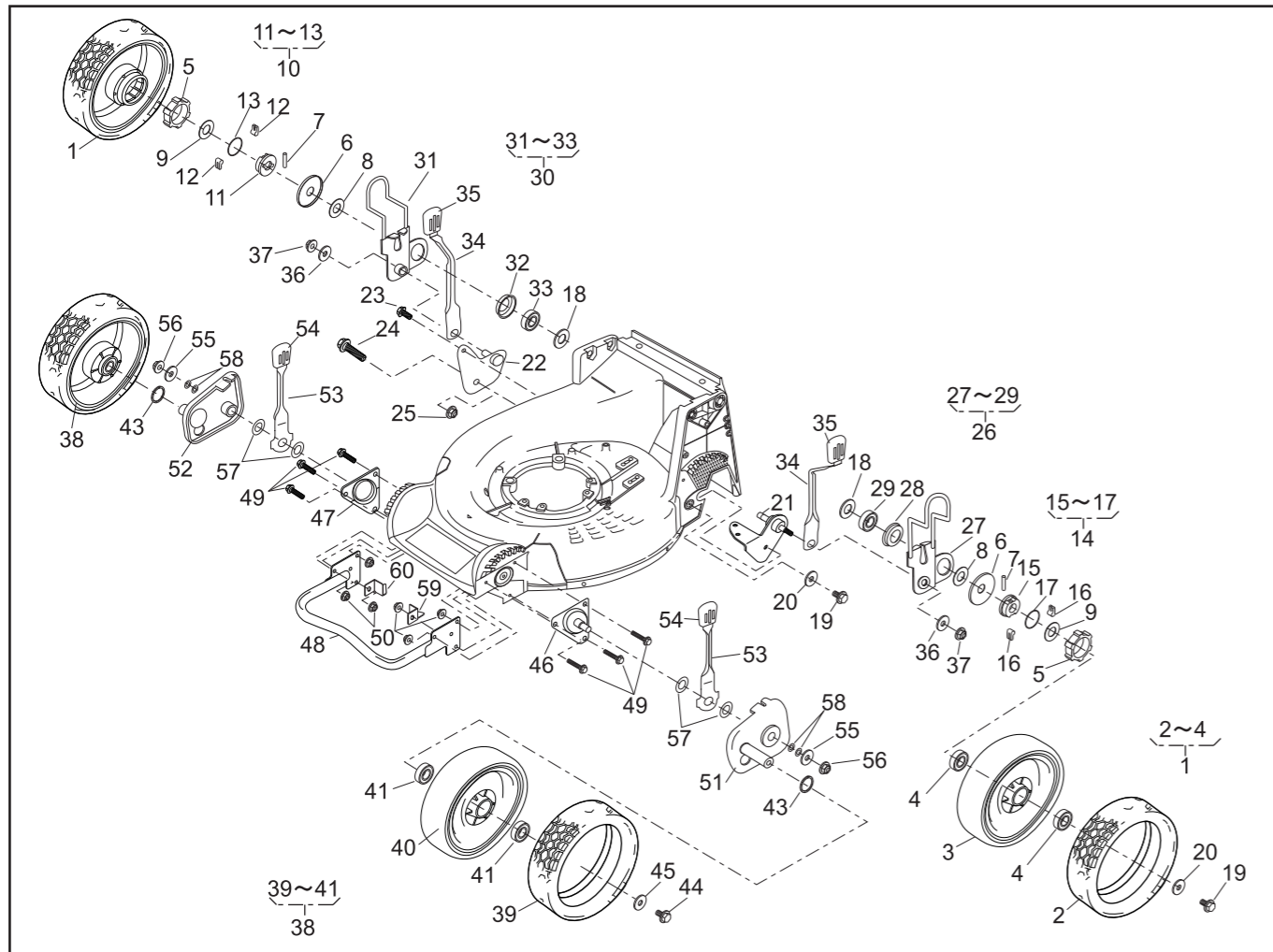
REF. No.	PARTS No.	PARTS NAME	HANDLE-HST-PRO		RECOMM.(%) Lot.100	REMARKS
			Q'TY INCLUDING	PRICE()		
1	51027 249	HANDLE	1			
2	51027 250	HANDLE	1			
3	11095 172	LEVER(BBC)	1			
4	36110 102	BUTTON	1			
5	11049 109	SLIDE PLATE	1			
6	64014 336	SHAFT	1			
7	376L 0612	(+)TRUSS SCREW	1			
8	71203 135	ARM C.P.	1			
9	76007 183	BUSH	1			
10	68013 371	SPRING	1			
11	31056 127	GIB-HEADED PIN	1			
12	576V 0600	PUSH NUT	1			
13	68013 392	SPRING	1			
14	11109 111	LINK	1			
15	61023 190	SLEEVE	1			
16	64014 337	SHAFT	1			
17	812V 0800	C-SNAP RING	1			
18	613L 0800	PLAIN WASHER	1			
19	71161 114 09	LEVER ASS'Y	1			
20		LEVER	1			
21	76007 131	BUSH	2			
22	68013 385	SPRING	1			
23	91010 169	THROTTLE LEVER(GXV120/GXV160)	1			
24	61003 113	THRUST PLATE	1			
25	68013 356	SPRING	1			
26	31058 168	HEXAGON NUT	1			
27	11095 162	LEVER(HST)	1			
28	31057 249	HEXAGON BOLT	1			
29	61003 118	THRUST PLATE	1			
30	11049 108	SLIDE PLATE	1			



PARTS LIST

P/L No. 46014-482-00

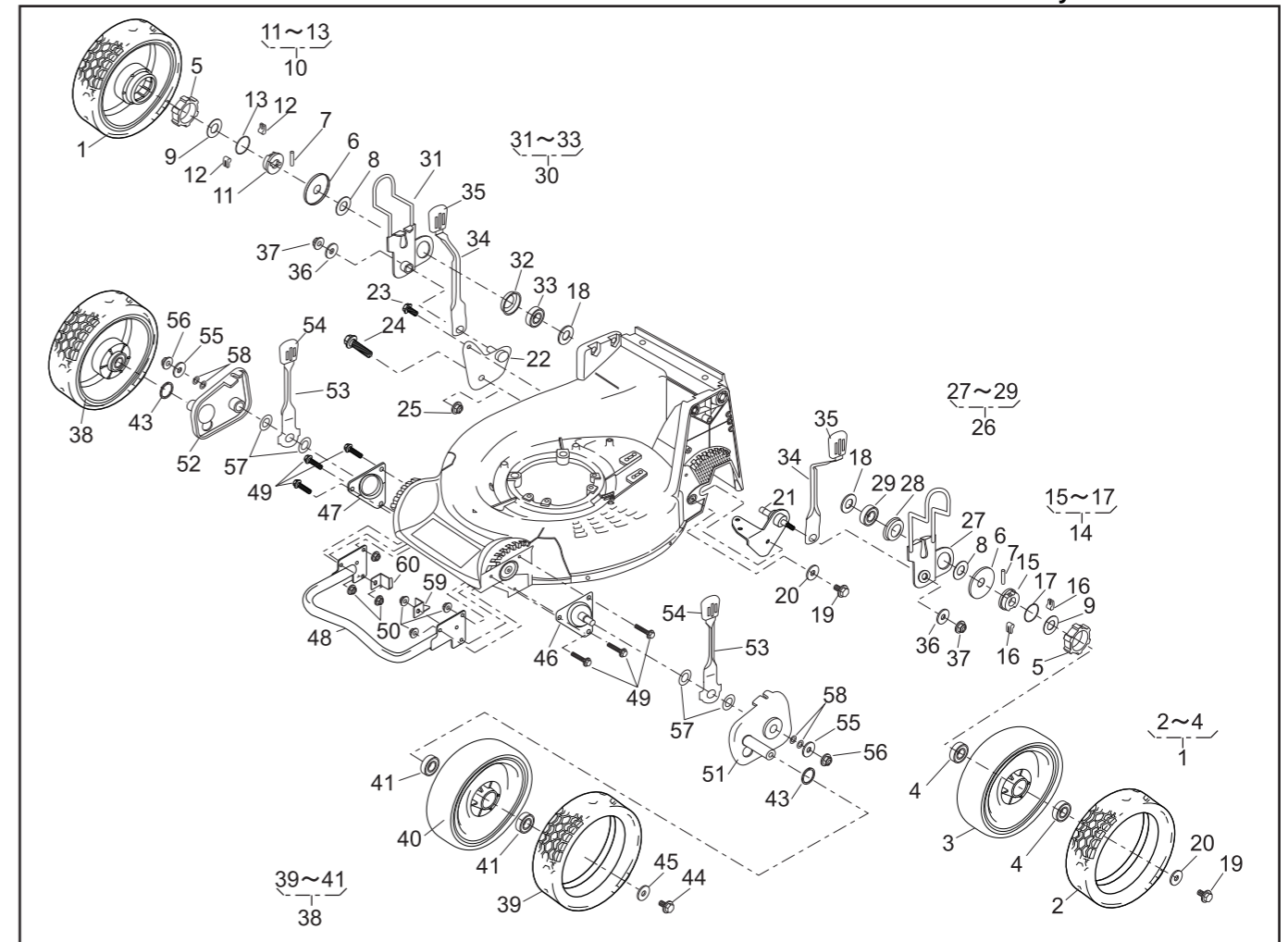
REF. No.	PARTS No.	PARTS NAME	HANDLE-HST-PRO		RECOMM.(%) Lot.100	REMARKS
			Q'TY INCLUDING	PRICE()		
31	11109 112	LINK	1			
32	68013 369	SPRING	1			
33	68013 356	SPRING	1			
34	31056 126	GIB-HEADED PIN	1			
35	613L 0600	PLAIN WASHER	1			
36	733L 0600	SNAP PIN	1			
37	68013 375	SPRING	1			
38	71900 811	COVER ASS'Y	1			
39	470L 0514	(+)TAPPING SCREW	2			
40	71900 845	BOLT SET	1			
41	569L 0800	FLANGE NYLON NUT	4			
42	31057 256	HEXAGON BOLT	4			
43	583L 0800	FLANGE CAP NUT	6			
44	71900 846	BAR SET	1			
45	11012 132	HANGER BAND	2			
46	31057 181	HEXAGON BOLT	2			
47	68028 118	WIRE BAND	3			
48	91003 178	CONTROL CABLE	1			
49	91003 179	CONTROL CABLE	1			
50	91001 329	THROTTLE WIRE(GXV120/GXV160)	1			
51	91003 169	CONTROL CABLE(BBC)	1			
52	11062 178	FRAME C.P.	1			
53	36098 132	GRASS BAG C.P.(KAAZ)	1			
54	41003 201	TUBE (15.6x800L)	1			
55	68028 119	WIRE BAND	2			
56	36080 156	RUBBER SHEET	1			
57						
58						
59						
60						



PARTS LIST

P/L No. 46014-507-00

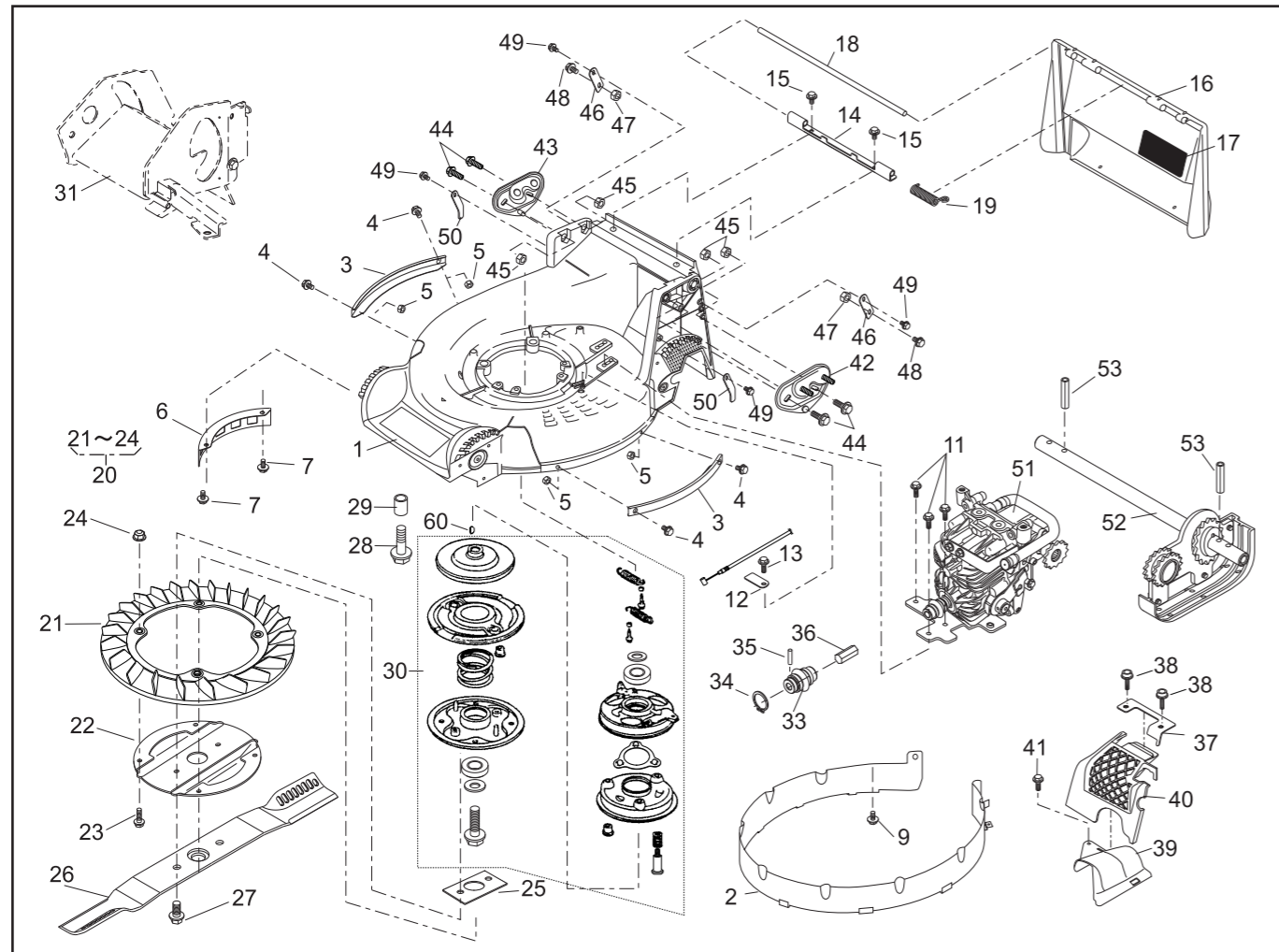
NOTE	REF. No.	PARTS No.	PARTS NAME	9.6"AI-WHEEL-HST-PRO		1/2	RECOMM.(%) Lot.100	Dec. 25, 2006	REMARKS
				Q'TY	PRICE()				
	1	71041 144	WHEEL ASS'Y(9.6"A.W.)	2					
	2	91086 116	TIRE	2					
	3		WHEEL	2					
	4	916B 6002	BEARING	4					
	5	11086 119	STOPPER	2					
	6	61003 112	THRUST PLATE	2					
	7	31034 137	PIN	2					
	8	68036 270	WASHER	2					
	9	68036 146	WASHER	2					
	10	71158 101	RATCHET ASS'Y(R)	1					
	11	11102 138	HOLDER	1					
	12	31034 170	PIN	2					
	13	68013 266	SPRING	1					
	14	71158 102	RATCHET ASS'Y(L)	1					
	15	11102 138	HOLDER	1					
	16	31034 170	PIN	2					
	17	68013 266	SPRING	1					
	18	68036 275	WASHER	2					
	19	31057 181	HEXAGON BOLT	3					
	20	68036 101	WASHER	3					
	21	11006 162	STAY C.P.(HST)	1					
	22	11006 152	STAY C.P.(RR)	1					
	23	342L 0612	FLANGE TAPPING BOLT	1					
	24	31057 255	HEXAGON BOLT	1					
	25	584L 0800	U-FLANGE NUT	1					
	26	71122 110	ADJUSTER ASS'Y(L)	1					
	27	11142 125	ADJUSTER(RL)	1					
	28	11102 228	HOLDER	1					
	29	916B 6202	BEARING	1					
	30	71122 111	ADJUSTER ASS'Y(R)	1					



PARTS LIST

P/L No. 46014-507-00

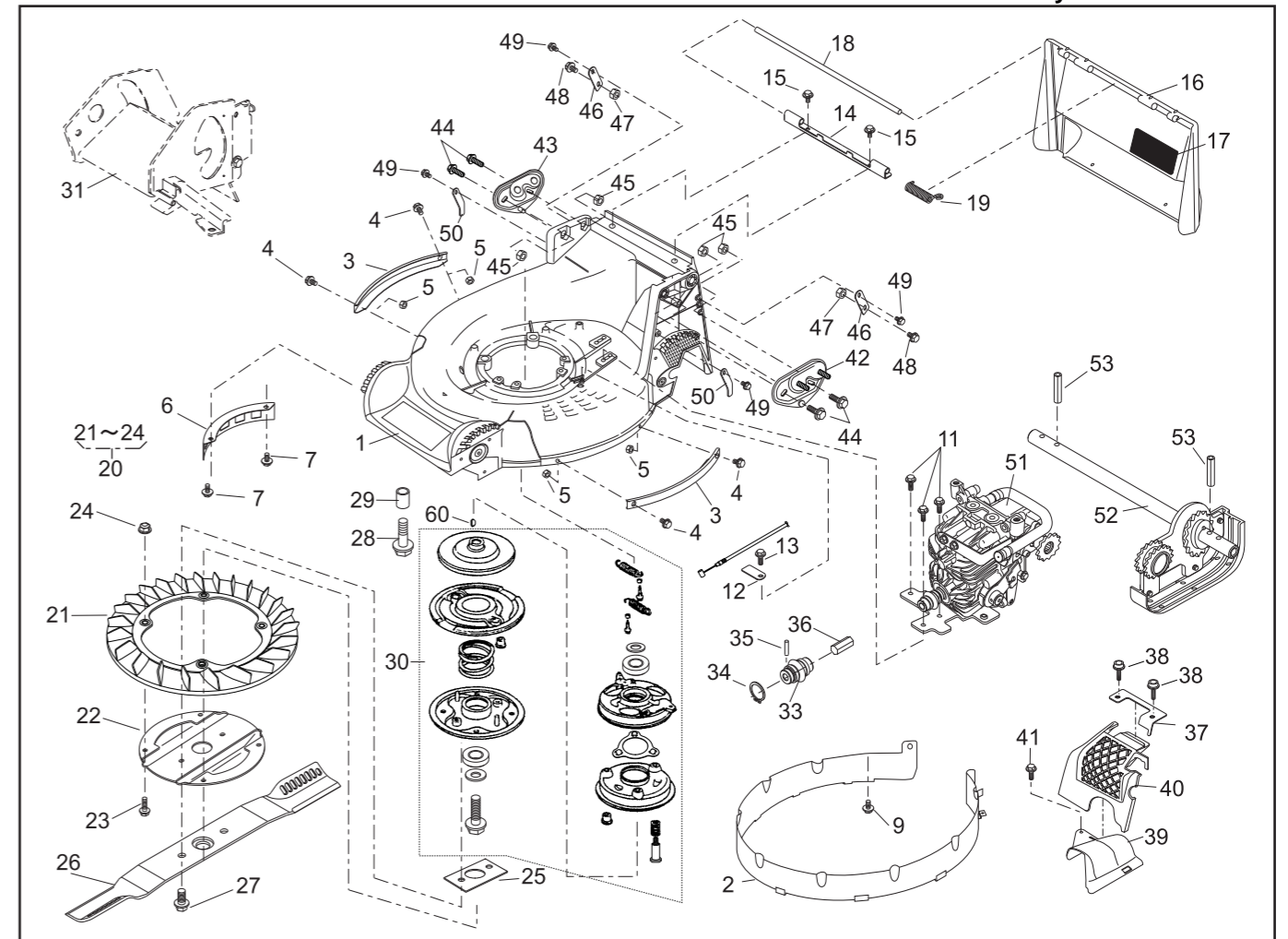
NOTE	REF. No.	PARTS No.	PARTS NAME	9.6"AI-WHEEL-HST-PRO		2/2	RECOMM.(%) Lot.100	Dec. 25, 2006	REMARKS
				Q'TY	PRICE()				
	31	11142 126	ADJUSTER(RR)	1					
	32	11102 228	HOLDER	1					
	33	916B 6202	BEARING	1					
	34	11150 105 09	ADJUST LEVER	2					
	35	36061 121	KNOB	2					
	36	613L 0800	PLAIN WASHER	2					
	37	569L 0800	FLANGE NYLON NUT	2					
	38	71041 145	WHEEL ASS'Y(9.6"A.W.)	2					
	39	91086 116	TIRE	2					
	40		WHEEL	2					
	41	916B 6002	BEARING	4					
	42								
	43	51113 119	RING	2					
	44	31057 181	HEXAGON BOLT	2					
	45	68036 101	WASHER	2					
	46	11006 153	STAY C.P.(FL)	1					
	47	11006 154	STAY C.P.(FR)	1					
	48	11153 112	BUMPER	1					
	49	335L 0625	FLANGE BOLT	6					
	50	569L 0600	FLANGE NYLON NUT	6					
	51	11142 127	ADJUSTER(FL)	1					
	52	11142 128	ADJUSTER(FR)	1					
	53	11150 109 09	ADJUST LEVER	2					
	54	36061 121	KNOB	2					
	55	68036 101	WASHER	2					
	56	584L 0800	U-FLANGE NUT	2					
	57	68013 393	SPRING	4					
	58	68007 105	SHIM	0~4					
	59	11113 418	STAY(L)	1					
	60	11113 417	STAY(R)	1					



PARTS LIST

P/L No. 46014-542-00

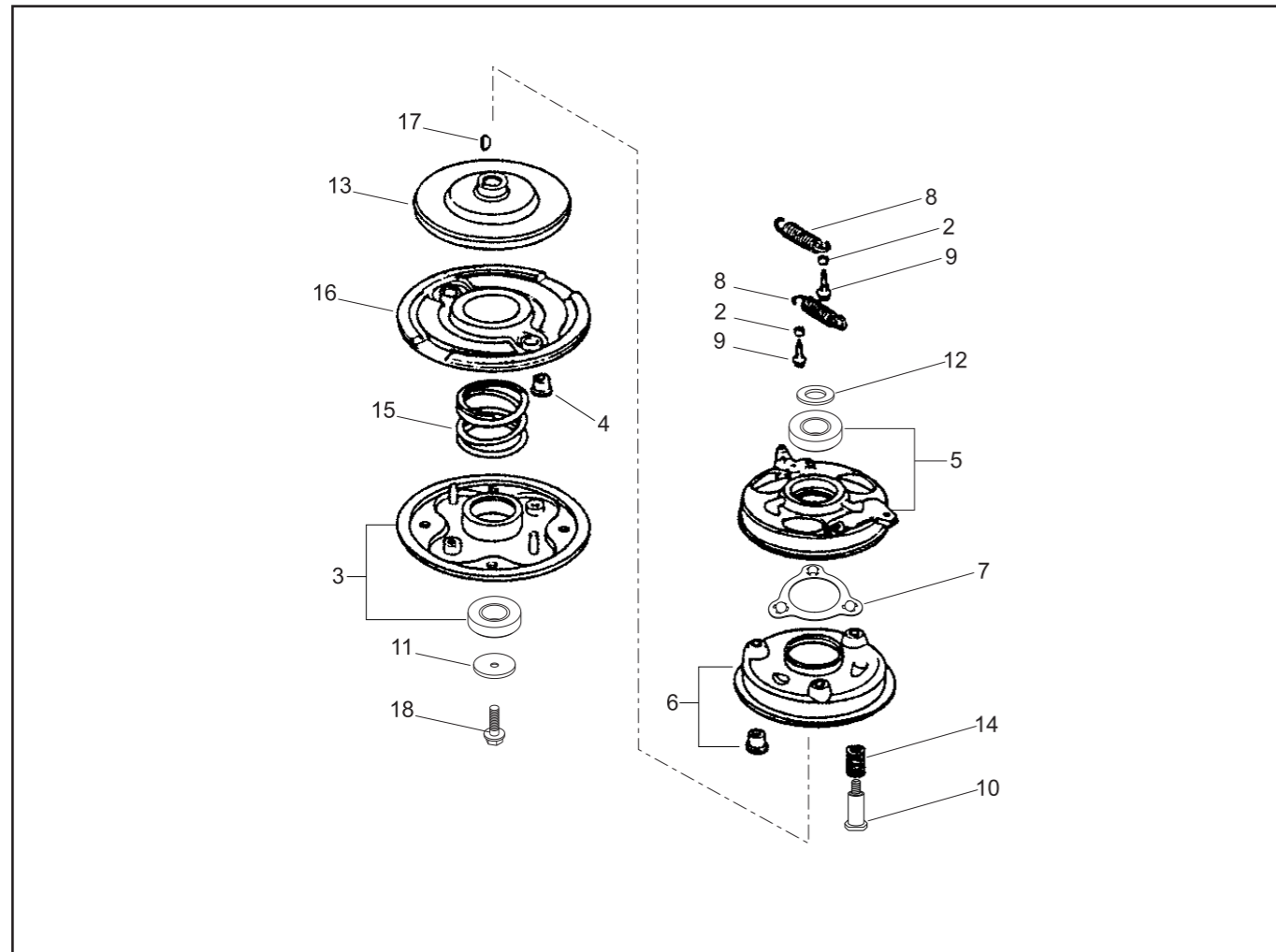
NOTE	REF. No.	PARTS No.	PARTS NAME	GRASS-CUTTING-HST-PRO		PRICE()	RECOMM.(%) Lot.100	REMARKS
				Q'TY	INCLUDING			
	1	51043 151 42	HOUSING	1				
	2	36068 204	GUARD	1				
	3	51090 117 09	PROTECTOR	2				
	4	335L 0616	FLANGE BOLT	4				
	5	512L 0600	HEXAGON NUT	4				
	6	36065 180	COVER	1				
	7	342L 0612	FLANGE TAPPING BOLT	2				
	8							
	9	342L 0612	FLANGE TAPPING BOLT	1				
	10							
	11	342L 0612	FLANGE TAPPING BOLT	3				
	12	11113 407	STAY	1				
	13	342L 0612	FLANGE TAPPING BOLT	1				
	14	11113 292	STAY	1				
	15	342L 0612	FLANGE TAPPING BOLT	2				
	16	36068 196 46	GUARD	1				
	17	36080 149	RUBBER SHEET	1				
	18	64014 324	SHAFT	1				
	19	68013 336	SPRING	1				
	20	71082 111	FAN ASS'Y	1				
	21	51125 103	FAN	1				
	22	11102 151	HOLDER	1				
	23	31062 169	PRE-COAT LOCK BOLT	4				
	24	579L 0600	FLANGE NUT	4				
	25	61024 208	SPACER	1				
	26	91014 188	BLADE	1				
	27	31057 197	HEXAGON BOLT	2				
	28	31057 243	HEXAGON BOLT	4				
	29	61024 142	SPACER	3				
	30	71067 106	BRAKE ASS'Y	1				



PARTS LIST

P/L No. 46014-542-00

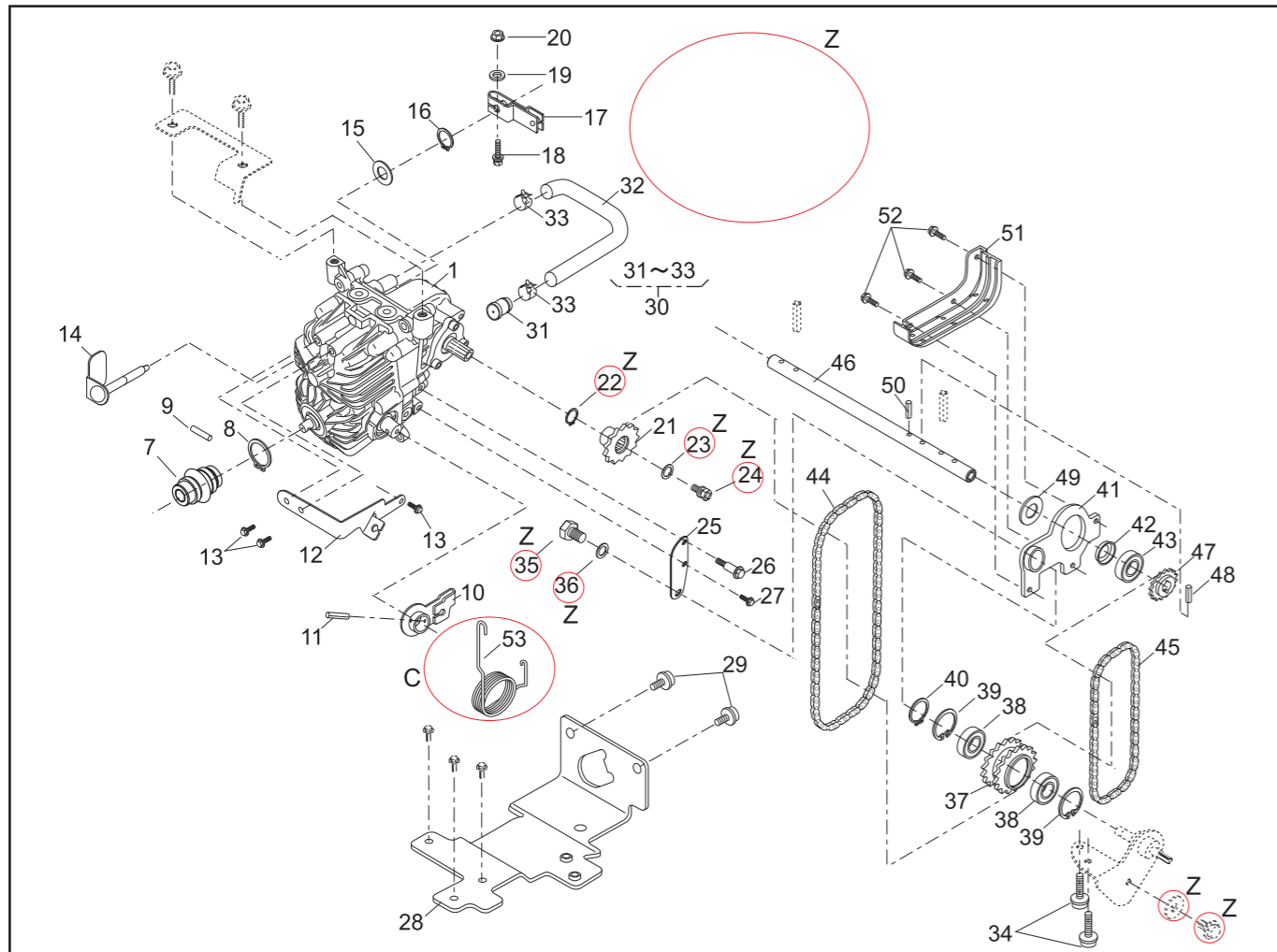
NOTE	REF. No.	PARTS No.	PARTS NAME	GRASS-CUTTING-HST-PRO		PRICE()	RECOMM.(%) Lot.100	REMARKS
				Q'TY	INCLUDING			
	31		COVER UNIT (Ref. P/L No. 46012-550-**)					
	32							
	33	91097 101	UNIVERSAL JOINT	1				
	34	812V 2000	C-SNAP RING	1				
	35	717B 0418	PARALLEL PIN	1				
	36	64014 368	SHAFT	1				
	37	11050 181	FIXING PLATE	1				
	38	423L 0820	SOCKET SCREW FLANGE	2				
	39	36065 453	COVER	1				
	40	36065 454	COVER	1				
	41	342L 0616	FLANGE TAPPING BOLT	1				
	42	51116 149	HANDLE BRACKET(L)	1				
	43	51116 150	HANDLE BRACKET(R)	1				
	44	31057 255	HEXAGON BOLT	4				
	45	512L 0800	HEXAGON NUT	4				
	46	11113 408	STAY	2				
	47	512L 0800	HEXAGON NUT	2				
	48	31057 181	HEXAGON BOLT	2				
	49	342L 0612	FLANGE TAPPING BOLT	4				
	50	11113 415	SATY	2				
	51		HST UNIT (Ref. P/L No. 46012-339-**)					
	52		SHAFT UNIT (Ref. P/L No. 46012-339-**)					
	53	711V 0522	SPRING PIN	2				
	54							
	55							
	56							
	57							
	58							
	59	122039	ENGINE:HONDA GXV160H2-SFL1-R280	1				
	60		WOOD RUFF KEY	1				



PARTS LIST BRAKE ASSY (71067-106)

P/L No. 46014-266-02

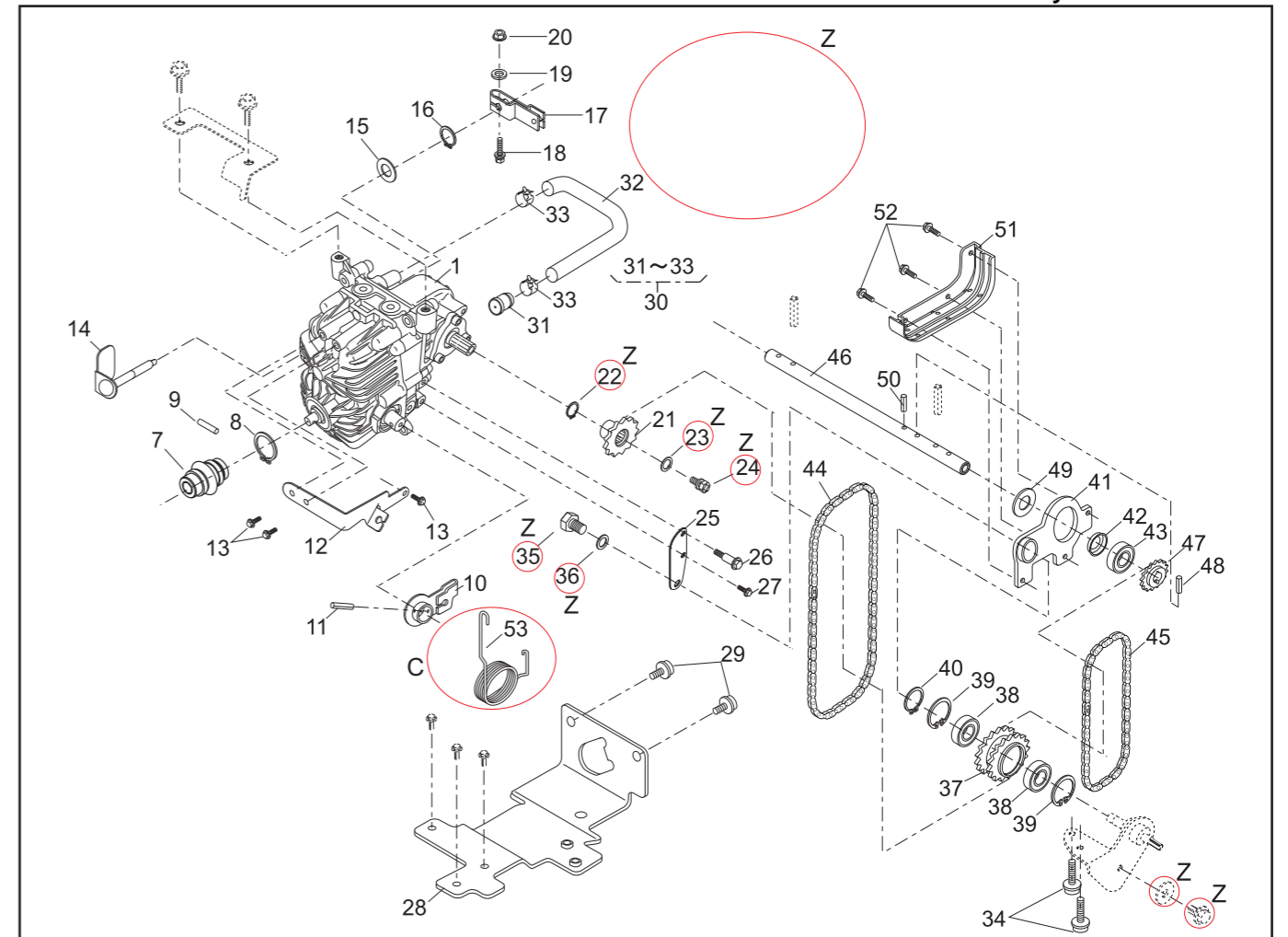
REF. No.	PARTS No.	PARTS NAME	BBC		1/1	Feb.09,2005	REMARKS
			Q'TY INCLUDING	PRICE()	RECOMM.(%) Lot.100		
1	71067 106	BRAKE ASS'Y	1				
2	19512 883 000	FAN COLLAR	2				
3	72600 VA4 010	HOLDER ASS'Y	1				
4	72613 VA4 000	BUSH, BLADE HOLDER	2				
5	75090 VA4 030	CONTROL ASS'Y	1				
6	75100 VA4 010	BRAKE C.P.	1				
7	75110 VA4 000	BALL RETAINER C.P.	1				
8	75182 VA3 J00	SPRING, CLUTCH RETURN	2				
9	90014 952 000	FLANGE BOLT	2				6 x 14
10	90021 VA4 000	BOLT, SPECIAL	3				6 mm
11	90409 952 000	WASHER	1				10 mm
12	90501 952 010	THRUST WASHER	1				
13	75130 VA4 000	BRAKE DISK	1				
14	75132 VA4 000	SPRING, BRAKE HOLDER	3				
15	75183 VA3 J00	SPRING, CLUTCH	1				
16	75150 VA3 J01	DRIVEN DISK C.P.	1				
17	94401 16150	WOODRUFF KEY	1				
18	90105 960 003	BOLT (10x25)	1				
19							
20							
21							
22							
23							
24							
25							
26							
27							
28							



**PARTS LIST
HST UNIT**

P/L No. 46014-339-02

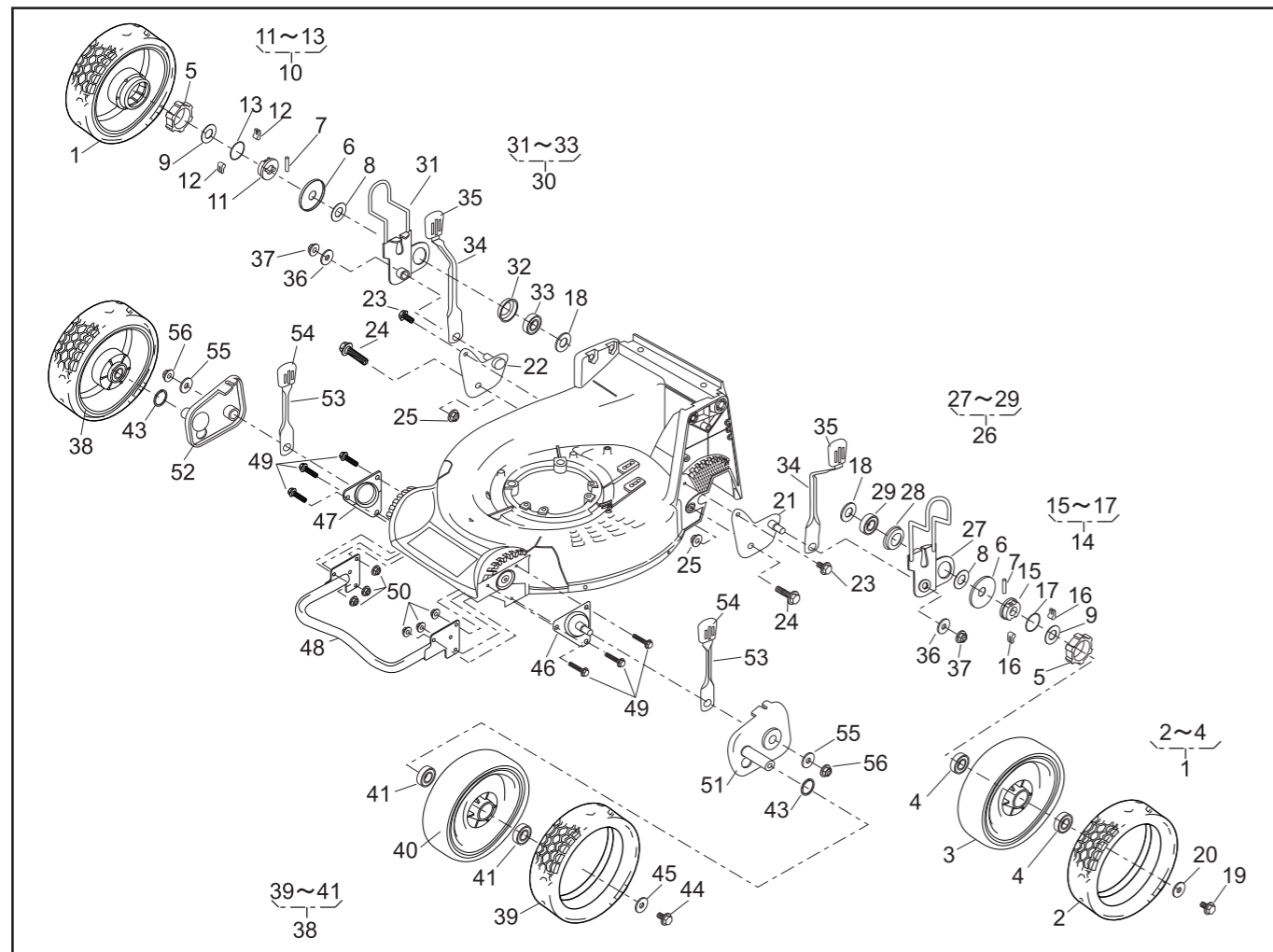
NOTE	REF. No.	PARTS No.	PARTS NAME	HST		1/2	Dec. 25, 2006
				Q'TY INCLUDING	PRICE()	RECOMM.(%) Lot.100	REMARKS
	1	71900 979	HST ASS'Y	1			
	7	91097 101	UNIVERSAL JOINT	1			
	8	812V 2000	C-SNAP RING	1			
	9	717B 0418	PARALLEL PIN	1			
	10	51042 126	LEVER C.P.	1			
	11	711V 0432	SPRING PIN	1			
	12	51002 121	WIRE HOLDER	1			
	13	335L 0612	FLANGE BOLT	3			
	14	71203 139	ARM C.P.	1			
	15	68036 280	WASHER	1			
	16	812V 1000	C-SNAP RING	1			
	17	11104 119	ARM	1			
	18	320L 0525	(+)HEXAGON BOLT	1			
	19	611L 0500	PLAIN WASHER	1			
	20	571L 0500	FLANGE NUT	1			
	21	36112 142	SPROCKET	1			
	22	812V 1500	C-SNAP RING	1			
	23	68036 125	WASHER	1			
	24	312L 0612	HEXAGON BOLT	1			
	25	11113 414	STAY	1			
	26	31062 109	PRE-COAT LOCK BOLT	1			
	27	335L 0612	FLANGE BOLT	1			
	28	11137 131	BASE C.P.	1			



**PARTS LIST
HST UNIT**

P/L No. 46014-339-02

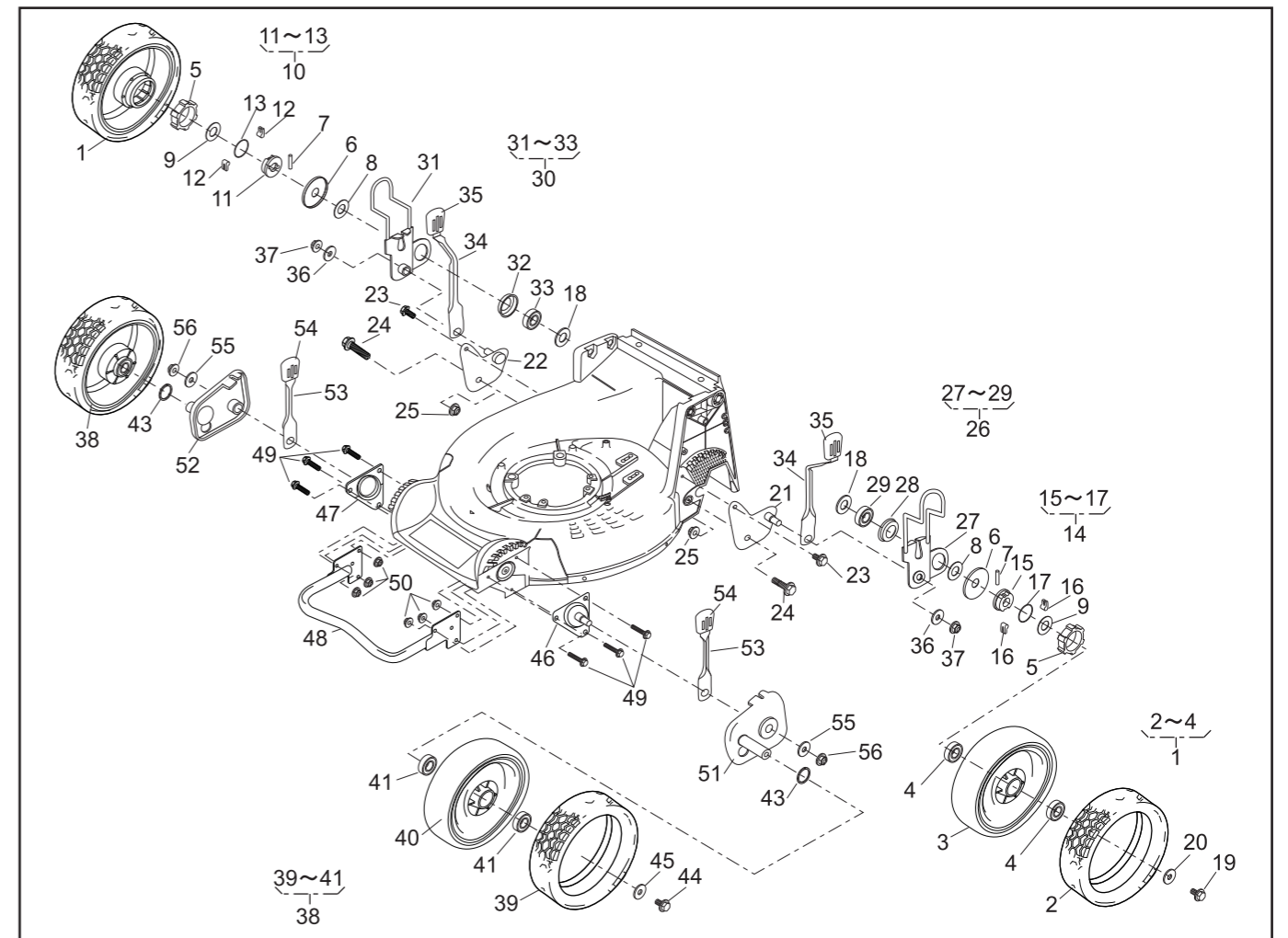
NOTE	REF. No.	PARTS No.	PARTS NAME	HST		2/2	Dec. 25, 2006
				Q'TY INCLUDING	PRICE()	RECOMM.(%) Lot.100	REMARKS
	29	423U 0816	SOCKET SCREW FLANGE	2			
	30	71900 980	AIR BREATHER ASS'Y	1			
	31	91096 103	BREATHER	1			
	32	36082 125	TUBE	1			
	33	68031 144	HOSE BAND	2			
	34	423U 0820	SOCKET SCREW FLANGE	2			
	35	311K 0812	HEXAGON BOLT	1			
	36	661L 0800	SPRING LOCK WASHER	1			
	37	36112 143	SPROCKET	1			
	38	916B 6002	BEARING	2			
	39	811V 3200	C-SNAP RING	2			
	40	812V 1500	C-SNAP RING	1			
	41	11115 124	TENSION ARM	1			
	42	11102 228	HOLDER	1			
	43	916B 6202	BEARING	1			
	44	91074 133	CHAIN	1			
	45	91074 134	CHAIN	1			
	46	64014 366	SHAFT	1			
	47	36112 144	SPROCKET	1			
	48	31034 137	PIN	1			
	49	68036 275	WASHER	1			
	50	711V 0522	SPRING PIN	1			
	51	36068 200	GUARD	1			
	52	318L 0612	(+)HEXAGON BOLT	3			
C	53	68013 390	SPRING	1			



PARTS LIST

46014-225

REF. No.	PARTS No.	PARTS NAME	9.6"AI-WHEEL		1/2	Feb.07,2005	REMARKS
			Q'TY INCLUDING	PRICE()			
1	71041 144	WHEEL ASSY(9.6"A.W.)	2				
2	91086 116	TIRE	2				
3		WHEEL	2				
4	916B 6002	BEARING	4				
5	11086 119	STOPPER	2				
6	61003 112	THRUST PLATE	2				
7	31034 137	PIN	2				
8	68036 270	WASHER	2				
9	68036 146	WASHER	2				
10	71158 101	RATCHET ASSY(R)	1				
11	11102 138	HOLDER	1				
12	31034 170	PIN	2				
13	68013 266	SPRING	1				
14	71158 102	RATCHET ASSY(L)	1				
15	11102 138	HOLDER	1				
16	31034 170	PIN	2				
17	68013 266	SPRING	1				
18	68036 275	WASHER	2				
19	31057 181	HEXAGON BOLT	2				
20	68036 101	WASHER	2				
21	11006 151	STAY C.P.(RL)	1				
22	11006 152	STAY C.P.(RR)	1				
23	342L 0612	FLANGE BOLT TAPPING	2				
24	31057 255	HEXAGON BOLT	2				
25	569L 0800	FLANGE NYLON NUT	2				
26	71122 110	ADJUSTER ASSY(L)	1				
27	11142 125	ADJUSTER(RL)	1				
28	11102 228	HOLDER	1				



PARTS LIST

46014-225

REF. No.	PARTS No.	PARTS NAME	9.6"AI-WHEEL		2/2	Feb.07,2005	REMARKS
			Q'TY INCLUDING	PRICE()			
29	916B 6202	BEARING	1				
30	71122 111	ADJUSTER ASSY(R)	1				
31	11142 126	ADJUSTER(RR)	1				
32	11102 228	HOLDER	1				
33	916B 6202	BEARING	1				
34	11150 105 09	ADJUST LEVER	2				
35	36061 121	KNOB	2				
36	613L 0800	WASHER	2				
37	569L 0800	FLANGE NYLON NUT	2				
38	71041 145	WHEEL ASSY(9.6"A.W.)	2				
39	91086 116	TIRE	2				
40		WHEEL	2				
41	916B 6002	BEARING	4				
42							
43	51113 119	RING	2				
44	31057 181	HEXAGON BOLT	2				
45	68036 101	WASHER	2				
46	11006 153	STAY C.P.(FL)	1				
47	11006 154	STAY C.P.(FR)	1				
48	11153 112	BUMPER	1				
49	335L 0625	FLANGE BOLT	6				
50	569L 0600	FLANGE NYLON NUT	6				
51	11142 127	ADJUSTER(FL)	1				
52	11142 128	ADJUSTER(FR)	1				
53	11150 106 09	ADJUST LEVER	2				
54	36061 121	KNOB	2				
55	613L 0800	WASHER	2				
56	569L 0800	FLANGE NYLON NUT	2				