

三菱ミニロータ
MITSUBISHI MINI ROTOR

CT152

パーツリスト
PARTS LIST

REVISED EDITION

(1979-3)

(ISO)



三菱機器販売株式会社

MITSUBISHI

AGRICULTURAL MACHINERY CORPORATION

MINI ROTOR
CT152

Remarks on This Parts List

1. This parts list includes all parts for the Mitsubishi Mini Rotor Model CT152.
2. The figures in the drawings are the item numbers which are at the left side of the list as index number.
3. The drawings are showing exploded condition as well showing the sequence of reassembling the exploded parts to an original assembly.
4. When ordering parts, please indicate the **Parts number and name** clearly and apply to the nearest agent or dealer in your territory.

三菱ミニロータ

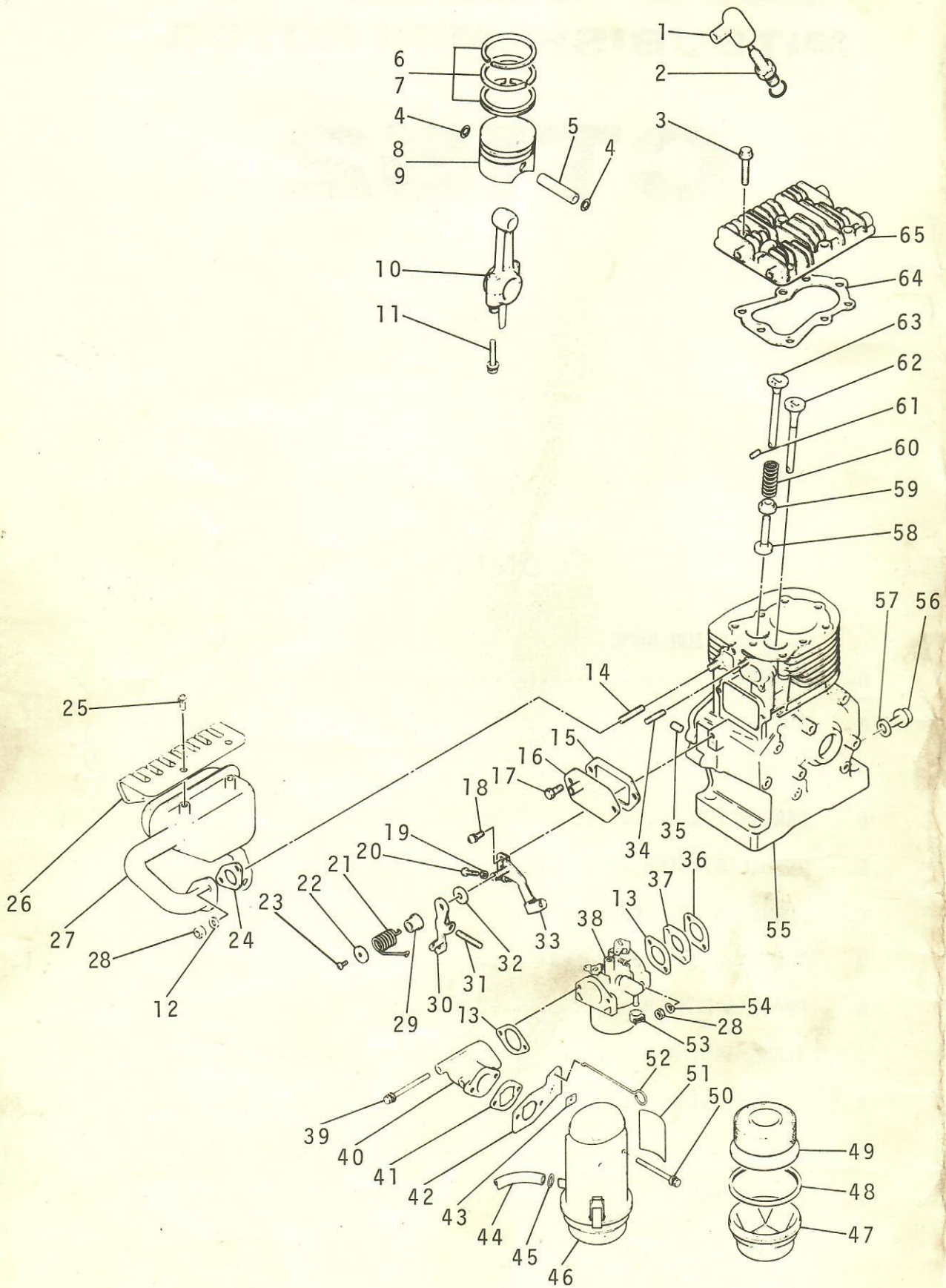
MITSUBISHI MINI ROTOR

CT152

CONTENTS

	SECTION NAME	PAGE
A.	ENGINE	1~6
B.	ENGINE	7~10
C.	FLYWHEEL MAGNET ASS'Y.....	11.12
D.	CARBURETOR	13.14
E.	RECOIL STARTER.....	15.16
F.	BONNET & BELT COVER	17.18
G.	PULLEY & TENSION PULLEY	19.20
H.	FRAME & FENDER	21~24
J.	TRANSMISSION ASS'Y.....	25~28
K.	TRANSMISSION ASS'Y.....	29~32
L.	TOOL ASS'Y	33~34
M.	HANDLE ASS'Y	35~38

A. ENGINE

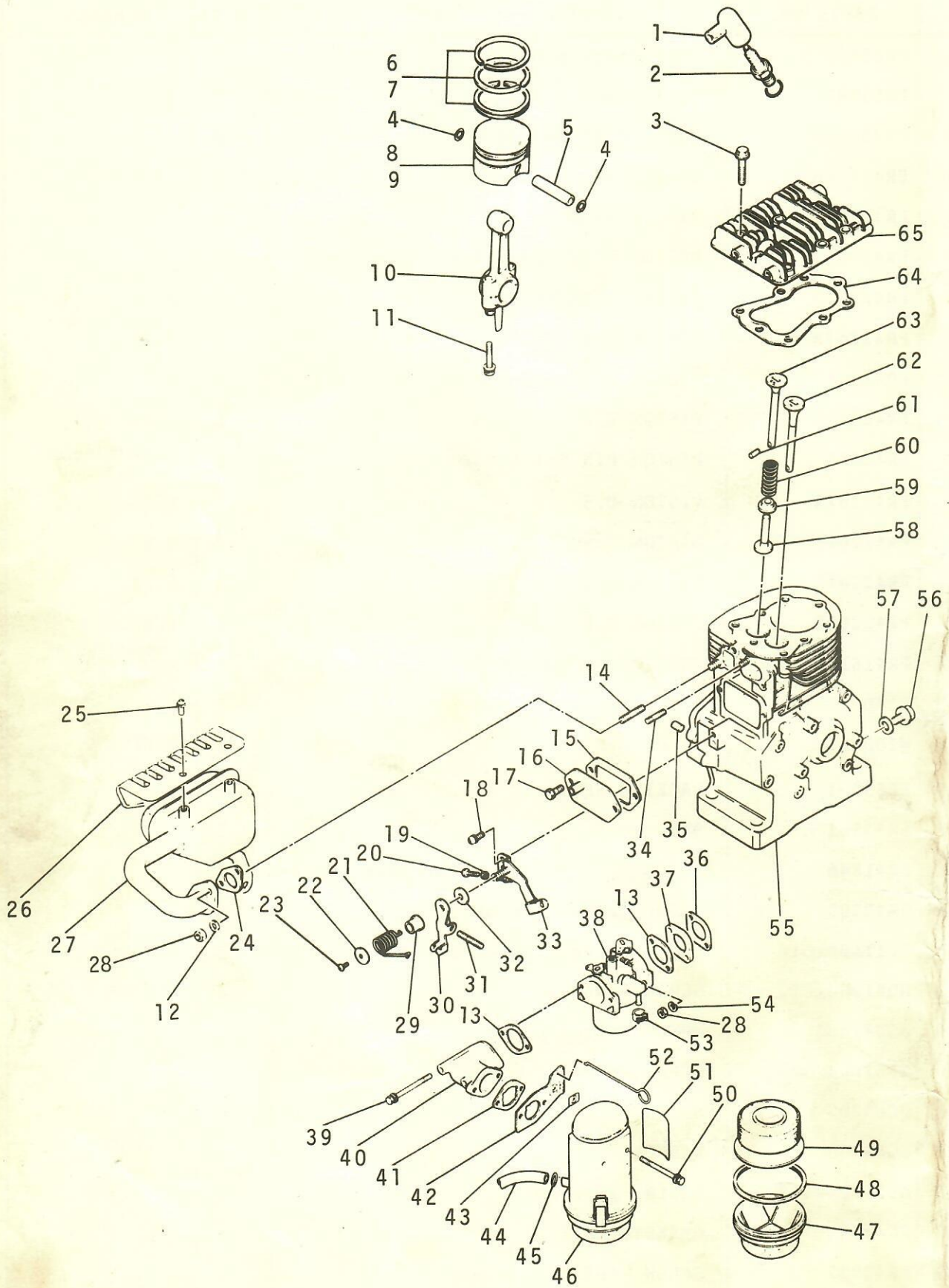


A. ENGINE

N25L-3S-38

NO.	PARTS NO.	PARTS NAME	Q'TY	REMARKS
A-1	FR62008	CAP, spark plug	1	
A-2	FR63087	SPARK PLUG X	1	
A-3	ZZ70003B	BOLT, cylinder head	8	
A-4	FR41803B	SNAP RING, piston pin	2	
A-5	FR41802B	PIN, PISTON	1	
A-6	FR41909	PISTON RING SET S.T.D	1	
A-7	FR42262A	PISTON RING SET O.S	1	0.25
A-7	FR42262B	PISTON RING SET O.S	1	0.50
A-7	FR42262C	PISTON RING SET O.S	1	0.75
A-7	FR42262D	PISTON RING SET O.S	1	1.00
A-8	FR42149	PISTON PIN SET S.T.D	1	Consisting of No. A-5
A-9	FR42261A	PISTON O.S	1	0.25
A-9	FR42261B	PISTON O.S	1	0.50
A-9	FR42261C	PISTON O.S	1	0.75
A-9	FR42261D	PISTON O.S	1	1.00
A-10	FR41814B	CONNECTING ROD ASS'Y	1	Consisting of No, A-11
A-11	ZZ70025xx035	BOLT connecting rod	2	
A-12	W200H06	WASHER	2	MUFFLER 2
A-13	FR53001	PACKING SET	1	
A-14	FR53581	STUD BOLT	2	
A-15	FR41846	PACKING, valve chamber cover	1	
A-16	FR42290	COVER, valve chamber	1	
A-17	B011A06x010	BOLT, valve chamber cover	2	
A-18	H081D06x010	SCREW & WASHER	2	CONTROL PLATE 2
A-19	BG04168	NUT, control plate	1	
A-20	H051D04x020	SCREW, control plate	1	
A-21	BG05705	SPRING	1	
A-22	BG01433	WASHER	1	
A-23	H051D04x008	SCREW, governor	1	
A-24	FR41890	GASKET, muffler	1	
A-25	FR42937	SCREW, muffler cover	3	
A-26	FR41990	COVER, muffler	1	

A. ENGINE



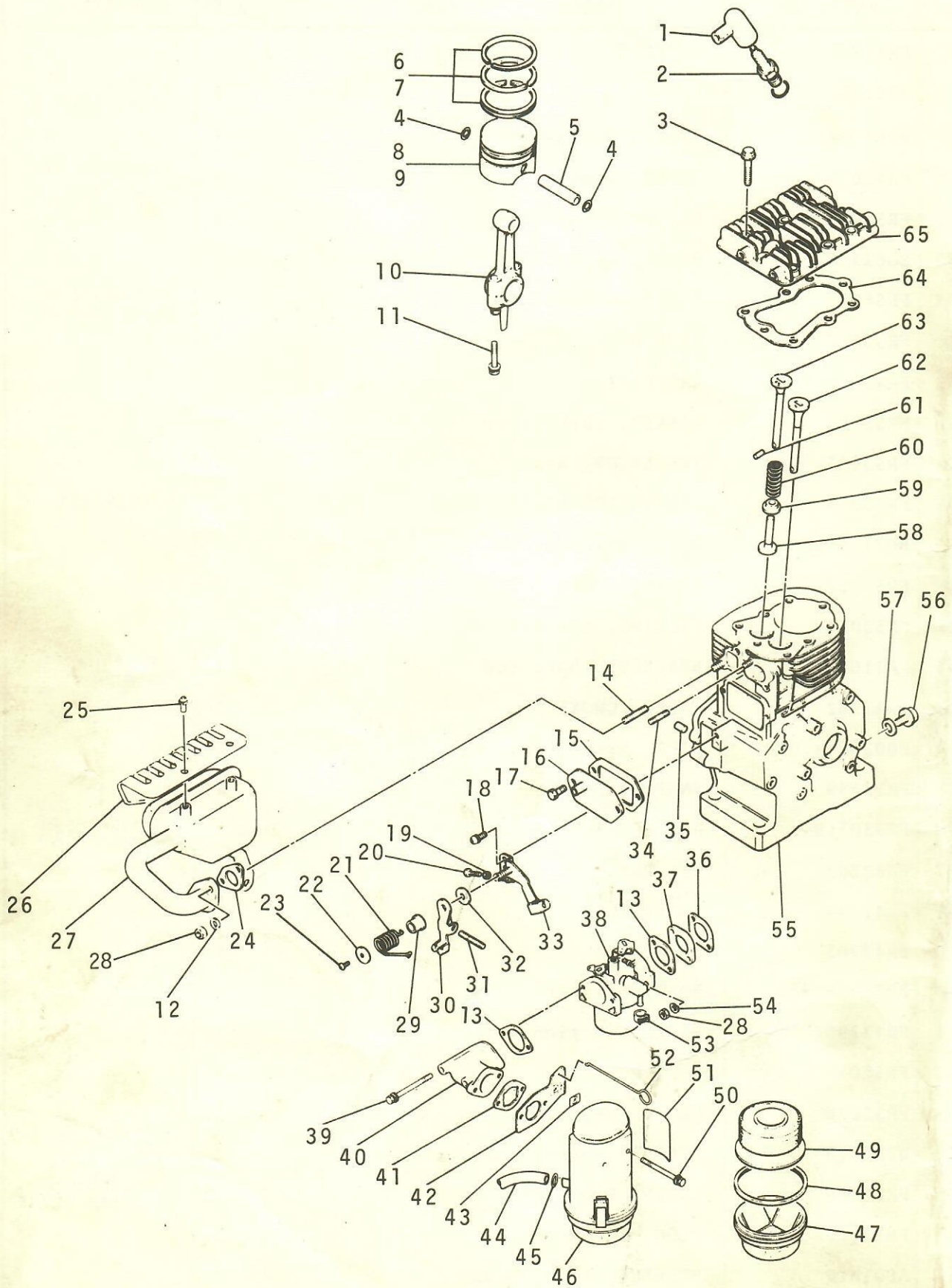
ref 50

A. ENGINE

N25L-3S-38

NO.	PARTS NO.	PARTS NAME	Q'TY	REMARKS
A-27	FR41935	MUFFLER	1	
A-28	N001A06	NUT	4	MUFFLR 2 CARBURETOR 2
A-29	BG05704	PIECE, distance	1	
A-30	FR42675	LEVER, control	1	Consisting of No, A-31
A-31	FR53053	SCREW, adjusting	1	
A-32	BG01475	PLATE, adjusting	1	
A-33	FR56477	PLATE, control	1	Consisting of No, A-19.A-20
A-34	FR53582	STUD BOLT	2	
A-35	FR41238	KNOCK PIN	2	
A-36	FR53002	GASKET, carburetor	1	
A-37	FR53003	INSULATOR, heat	1	
A-38	FR53274	CARBURETOR ASS'Y	1	621018-041
A-39	B071A05x065	BOLT, inlet elbow	2	
A-40	FR53057	ELBOW, INLET	1	
A-41	FR53034	PACKING, air cleaner	1	
A-42	FA21088	BRACKET, choke rod	1	Consisting of No, A-43
A-43	FR42962	LABEL, CHOKE	1	
A-44	P002W80x200B	PIPE, breather	1	
A-45	FR18339	SNAP RING	1	
A-46	FR53031B	AIR CLEANER ASS'Y	1	Consisting of No.A-47,A-49,A-51
A-47	FR42202	OIL PAN	1	
A-48	FR42204	PACKING	1	
A-49	FR42203	ELEMENT	1	
A-50	B071A05x060	BOLT, air cleaner X	2	
A-51	FR42206	PLATE, caution	1	
A-52	FR53039	ROD, CHOKE	1	
A-53	FR53226	CLIP, fuel pipe	1	
A-54	W220R06	SPRING washer, carburetor	2	
A-55	FR56400	ENGINE BODY ASS'Y	1	Consisting of No.A-14,A-34,A-35
A-56	FN11223	PLUG, DRAIN	2	
A-57	A001W14	PACKING, drain plug	2	
A-58	FR53133	TAPPET	2	

A. ENGINE

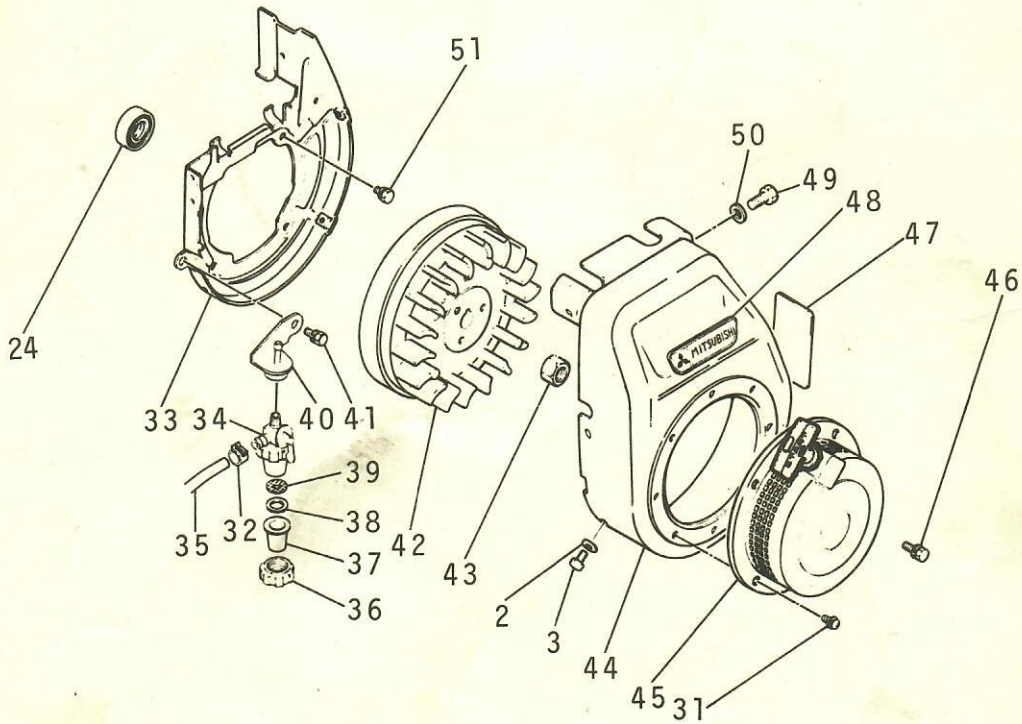
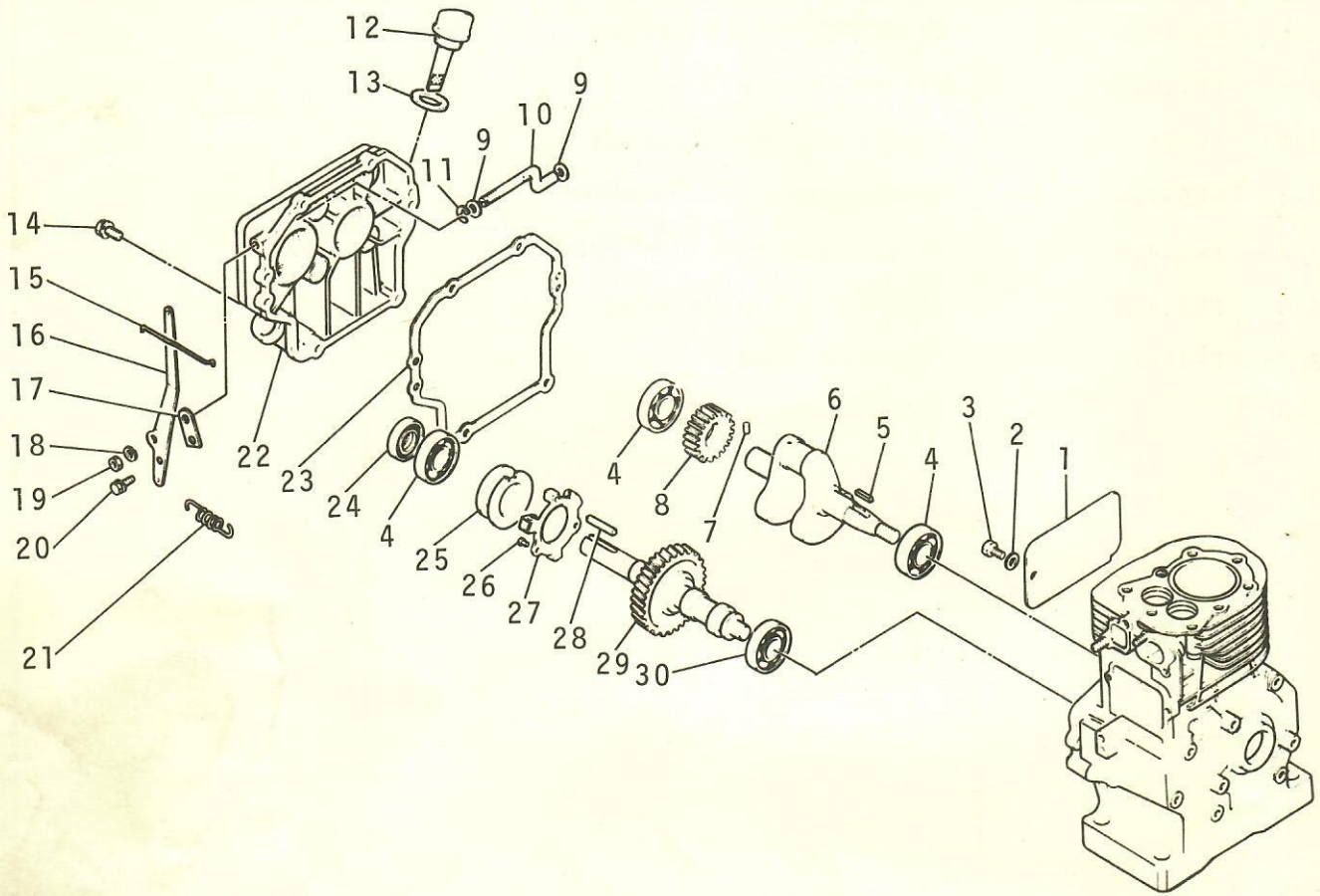


A. ENGINE

N25L-3S-38

NO.	PARTS NO.	PARTS NAME	Q'TY	REMARKS
A-59	FR41829	RETAINER, vlave spring	2	
A-60	FR41828	SPRING, valve	2	
A-61	FR41830	LOCK PIN, valve spring	2	
A-62	FR56430	VALVE, INLET <i>admission</i>	1	
A-63	FR56469	VALVE, exhaust <i>Echappement</i>	1	
A-64	FR41859	GASKET, cylinder head	1	
A-65	FR41825	CYLINDER head	1	

B. ENGINE

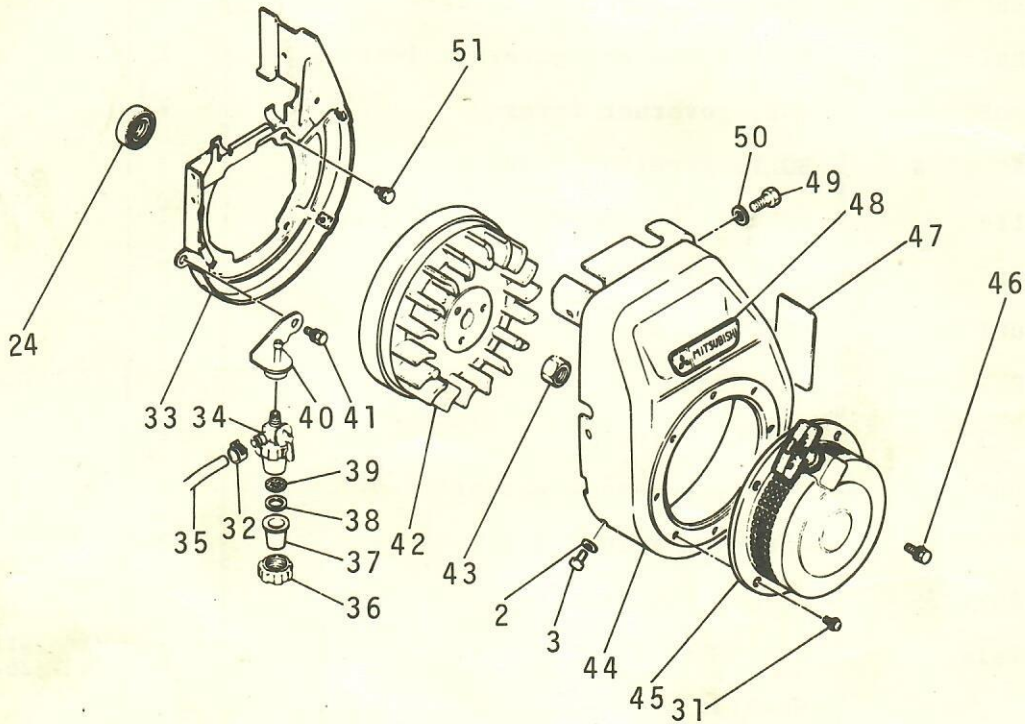
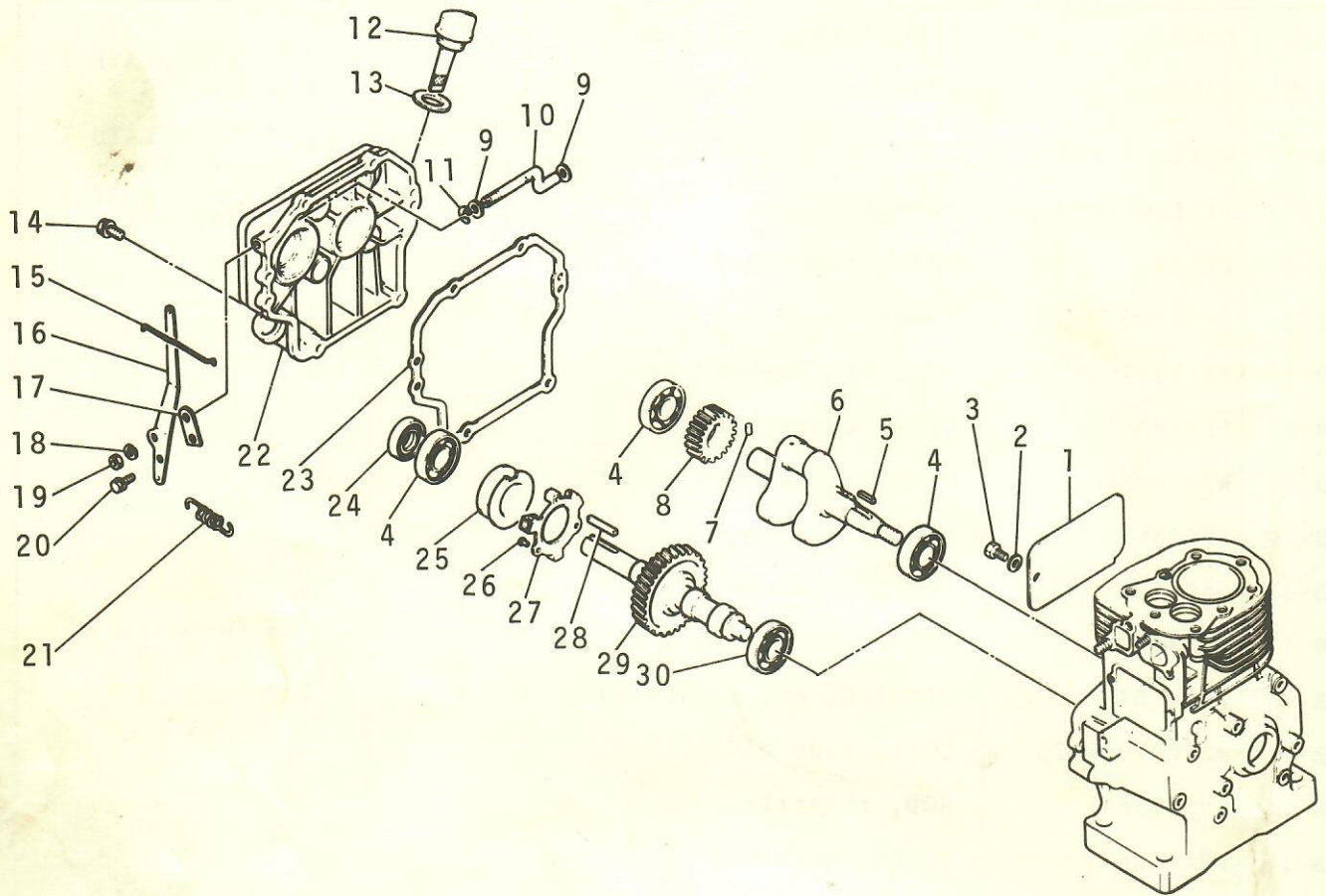


B. ENGINE

N25L-3S-38

NO.	PARTS NO.	PARTS NAME	Q'TY	REMARKS
B-1	FR42143	SIDE PLATE, cylinder	1	SIDE PLATE 1 COWLING 4
B-2	W200H06	WASHER	5	
B-3	B011A06x008	BOLT	5	
B-4	S111x62x040	BEARING	3	SIDE PLATE 1 COWLING 4 ENGINE BODY 1 SIDE COVER 2
B-5	FR53629	KEY, crank shaft	1	
B-6	FR56406	CRANK SHAFT	1	
B-7	FR18544	PIN, crank shaft gear	1	
B-8	FR41835	GEAR, crank shaft	1	
B-9	W205H05	WASHER, governor shfat	2	
B-10	FR41869	SHAFT, governor	1	
B-11	S500P04	RING, governor shaft	1	
B-12	FR18429A	PLUG, oil filler	1	Consisting of No. B-13
B-13	FN14784	PACKING, oil filler plug	1	
B-14	ZZ70010xx025	BOLT, side cover	6	
B-15	FR53036A	ROD, throttle	1	
B-16	FR42556	LEVER, governor	1	
B-17	FR41867	BRACKET, governor lever	1	
B-18	W220R05	SPRING washer, governor lever	1	
B-19	N001A05L	NUT, governor lever	1	
B-20	B081A05x008	BOLT, governor lever	1	
B-21	FR42116	SPRING, governor	1	
B-22	FR41997	SIDE COVER	1	
B-23	FR53001	PACKING SET	1	
B-24	FR41845	OIL SEAL	2	TC20328
B-25	FR41323	PIECE, sliding	1	
B-26	W620D03x010	RIVET, governor weight	3	
B-27	FR41350	GOVERNOR WEIGHT ASS'Y	1	
B-28	W405B05x035	KEY, P.T.O. shaft	1	
B-29	FR15491A	CAM SHAFT ASS'Y	1	Consisting of No.B-26.B-27
B-30	S111x62x030	BEARING	1	
B-31	H081D06x010	SCREW & WASHER	4	
B-32	FR53226	CLIP, fuel pipe	1	

B. ENGINE

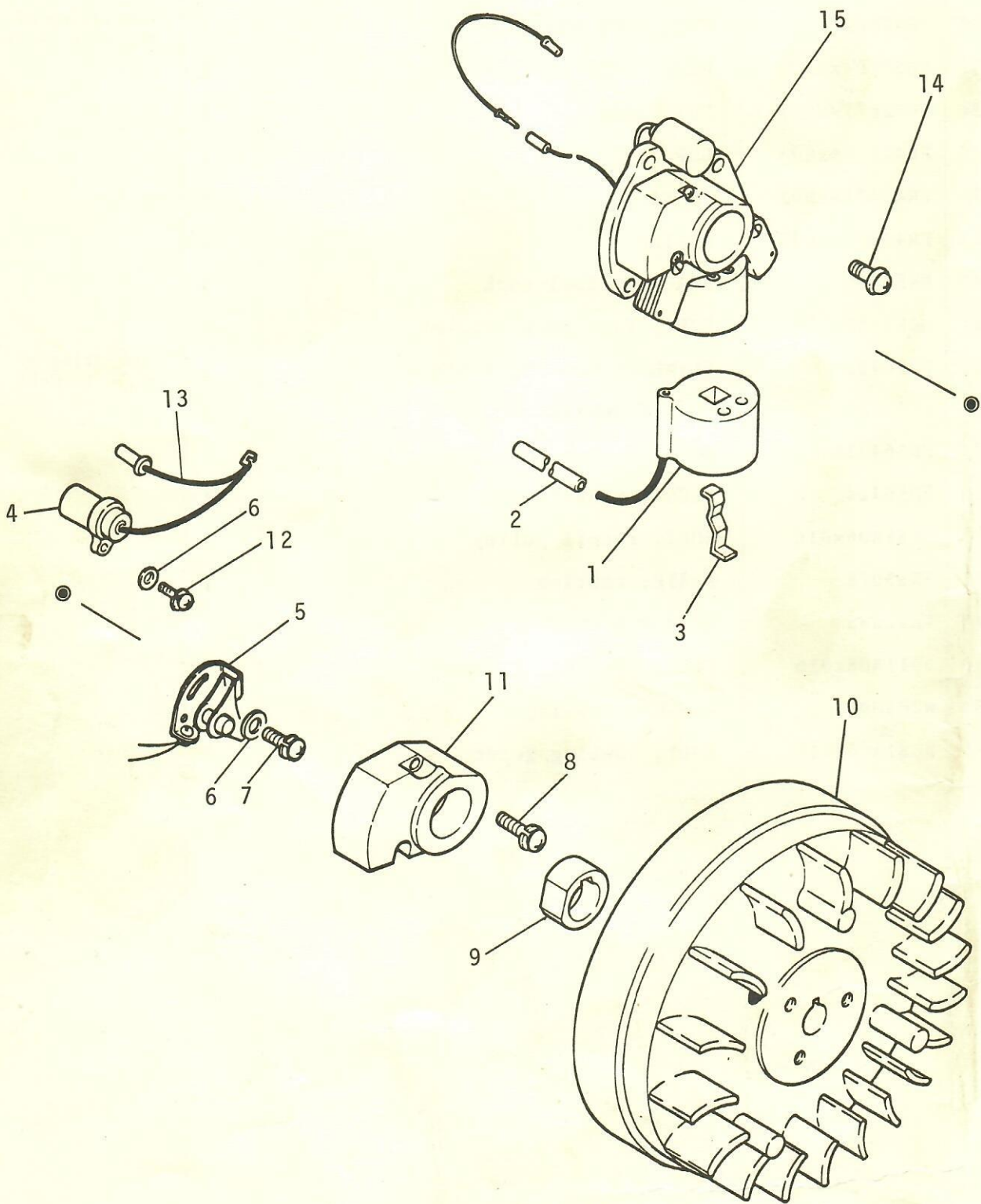


B. ENGINE

N25L-3S-38

NO.	PARTS NO.	PARTS NAME	Q'TY	REMARKS
B-33	FR56423	GUIDE, cowling	1	
B-34	FR42680	FUEL COCK ASS'Y	1	Consisting of NO. B-36 B-39
B-35	P050Y04x230	PIPE, FUEL	1	
B-36	FR42677xx007	NUT, RING	1	
B-37	FR42677xx006	CUP	1	
B-38	FR42677xx004	PACKING	1	
B-39	FR42677xx005	FILTER	1	
B-40	FR56466	BRACKET, fuel cock	1	
B-41	B081A06x012	BOLT, fuel cock bracket	1	
B-42	FR56426	FLYWHEEL MAGNETO ASS'Y	1	Consisting of NO. C-1 C-13
B-43	FR41231	NUT, flywheel	1	
B-44	FR56421A	COWLING	1	
B-45	FR56424	RECOIL STARTER ASS'Y	1	
B-46	B081A06x016	BOLT, recoil pulley	1	
B-47	FR53078	PLATE, caution	1	
B-48	FR42665	NAME PLATE	1	
B-49	B011A08x016	BOLT, cowling	1	
B-50	W205H08	WASHER, cowling	1	
B-51	B081A06x010	BOLT, cowling guide	4	

C. FLYWHEEL MAGNET ASS'Y

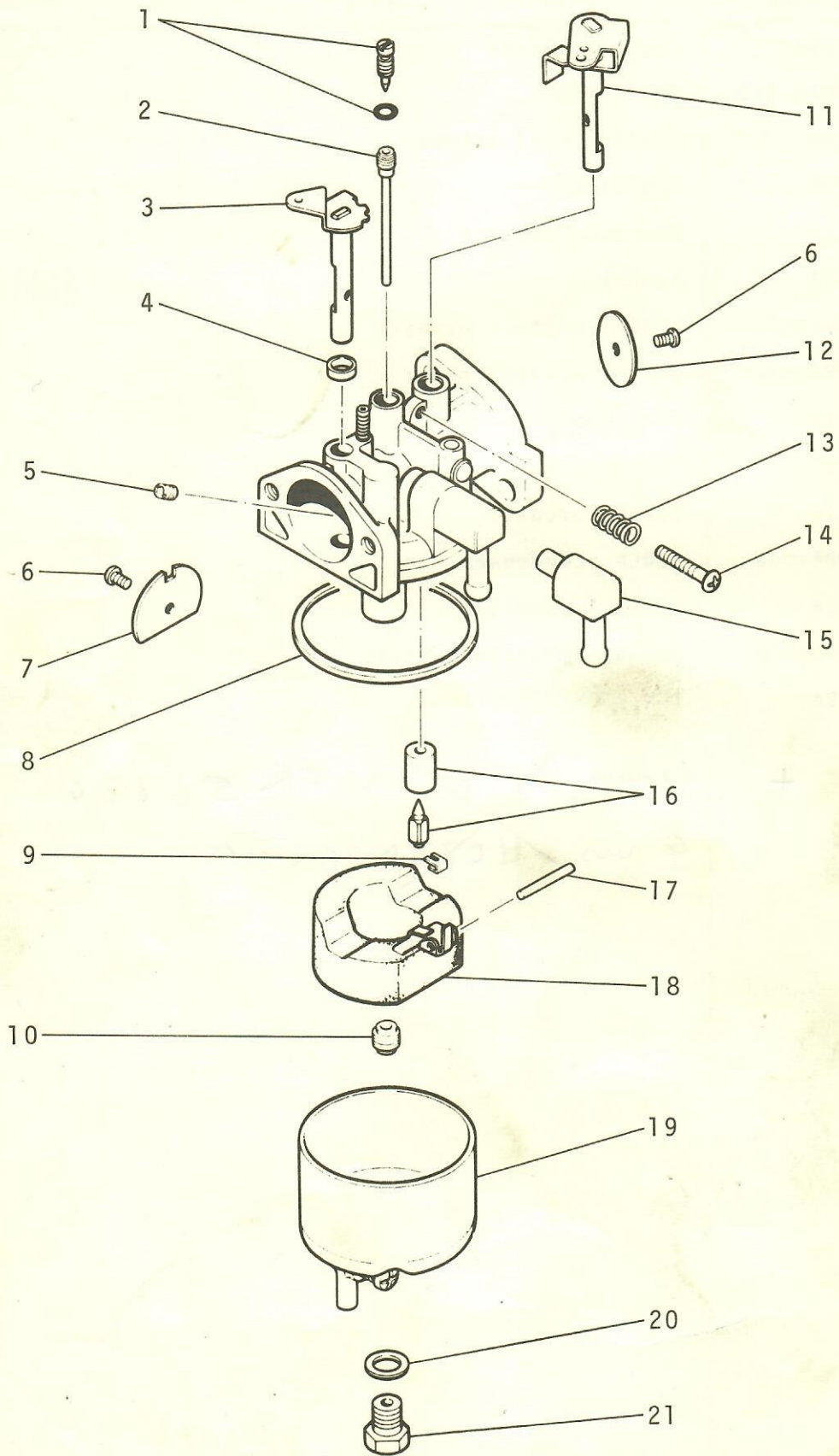


C. FLYWHEEL MAGNET ASS'Y

N25L-3S-38

NO.	PARTS NO.	PARTS NAME	Q'TY	REMARKS
C-1	FR41498B	COIL, igiton	1	
C-2	FR41494xx015	TUBE, VINYL	1	
C-3	FR41504	SPRING, coil support	1	
C-4	FR41506	CONDENSER	1	
C-5	FR41512	BREAKER, contact	1	
C-6	W205H04	WASHER	2	CONTACT BREAKER 1 CONDENSER 1
C-7	H081D04x012	SCREW, contact breaker	1	
C-8	H081D04x024	SCREW, breaker cover	2	
C-9	FR41511	CAM, CONTACT	1	
C-10	FR56427	FLYWHEEL	1	
C-11	FR41510	COVER, breaker	1	
C-12	H081D04x008	SCREW, condenser	1	
C-13	FR41518	WIRE, low voltage	1	
C-14	H081D06x016	SCREW, ignition circuit	3	
C-15	FR41494	IGNITION CIRCUIT	1	Consisting of NO. C-1 C-8 C-11 C-13
		+ 1 corp de lunette FR 56424 4 vis, H081D06x010		

D. CARBURETOR

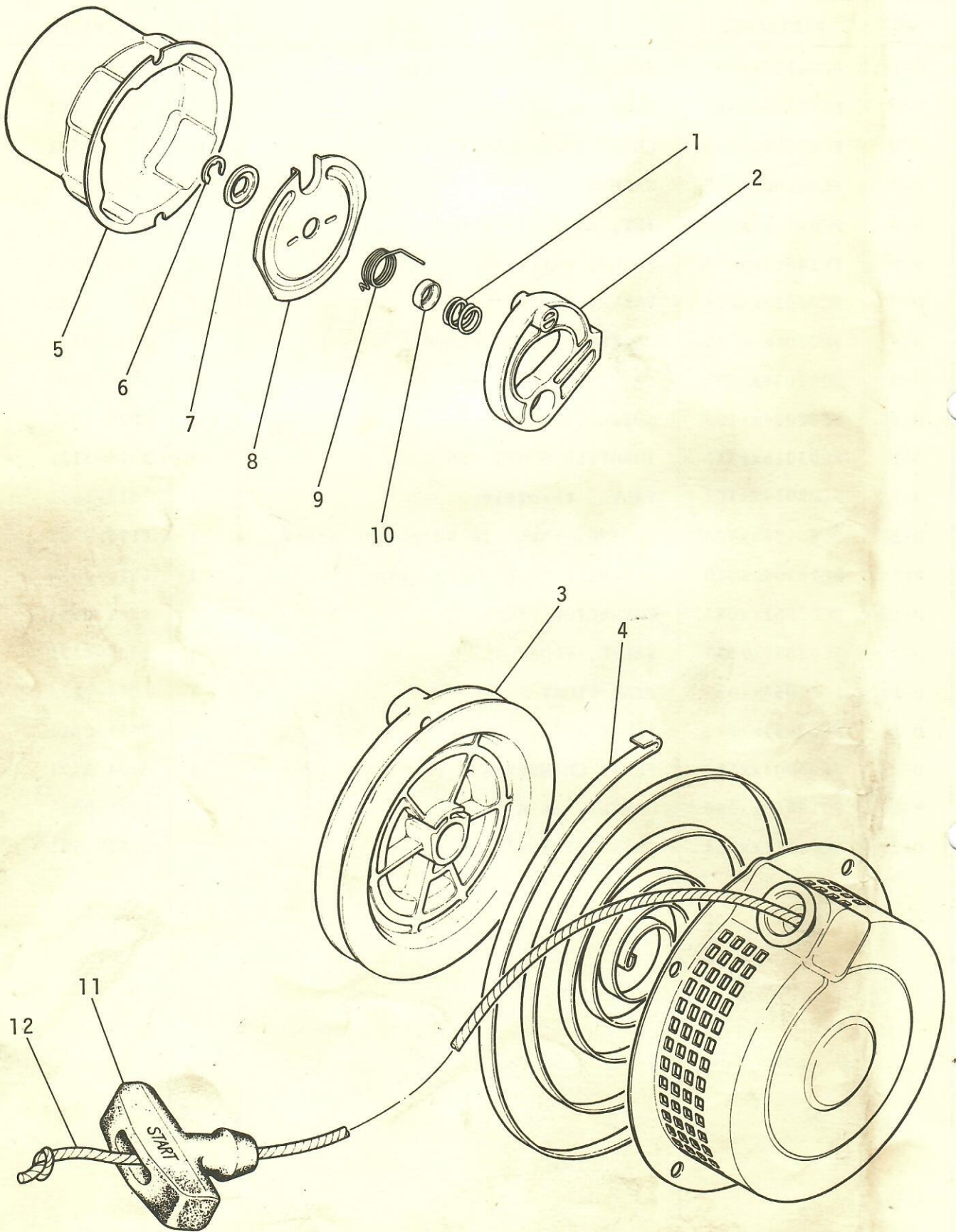


D. CARBURETOR

N25L-3S-38

NO.	PARTS NO.	PARTS NAME	Q'TY	REMARKS
D-1	FC06234xx003	NEEDLE, slow adjusting	1	6234-0031
D-2	FC05455xx040	SLOW JET ASS'Y	1	5455-0401
D-3	FC03015xx250	CHOKE SHAFT ASS'Y	1	3015-2501
D-4	FC02105xx227	WASHER	1	2105-2271
D-5	FC04714xx150	JET, main air bleed	1	4714-1501
D-6	FC14603xx005	SCREW, valve set	2	1460-3005
D-7	FC02013xx168	VALVE, CHOKE	1	2013-1681
D-8	FC02068xx245	GASKET, float chamber	1	2068-2451
D-9	FC02058xx001	CLIP, float valve	1	2058-0011
D-10	FC02024xx195	NOZZLE, MAIN	1	2024-1951
D-11	FC03016xx312	THROTTLE SHAFT ASS'Y	1	3016-3121
D-12	FC02012xx104	VALVE, throttle	1	2012-1041
D-13	FC02175xx975	SPRING, throttle adjusting screw	1	2175-9751
D-14	FC16104xx020	SCREW, throttle adjusting	1	1610-4020
D-15	FC02061xx083	CONNECTOR, fuel	1	2061-0831
D-16	FC02057xx033	VALVE, FLOAT	1	2057-0331
D-17	FC02054xx023	PIN, FLOAT	1	2054-0231
D-18	FC03051xx081	FLOAT ASS'Y	1	3051-0811
D-19	FC06004xx517	FLOAT CHAMBER ASS'Y	1	6004-5171
D-20	FC19430xx080	GASKET, main jet	1	1943-0080
D-21	FC05111xx064	MAIN JET ASS'Y	1	5111-0641

E. RECOIL STARTER



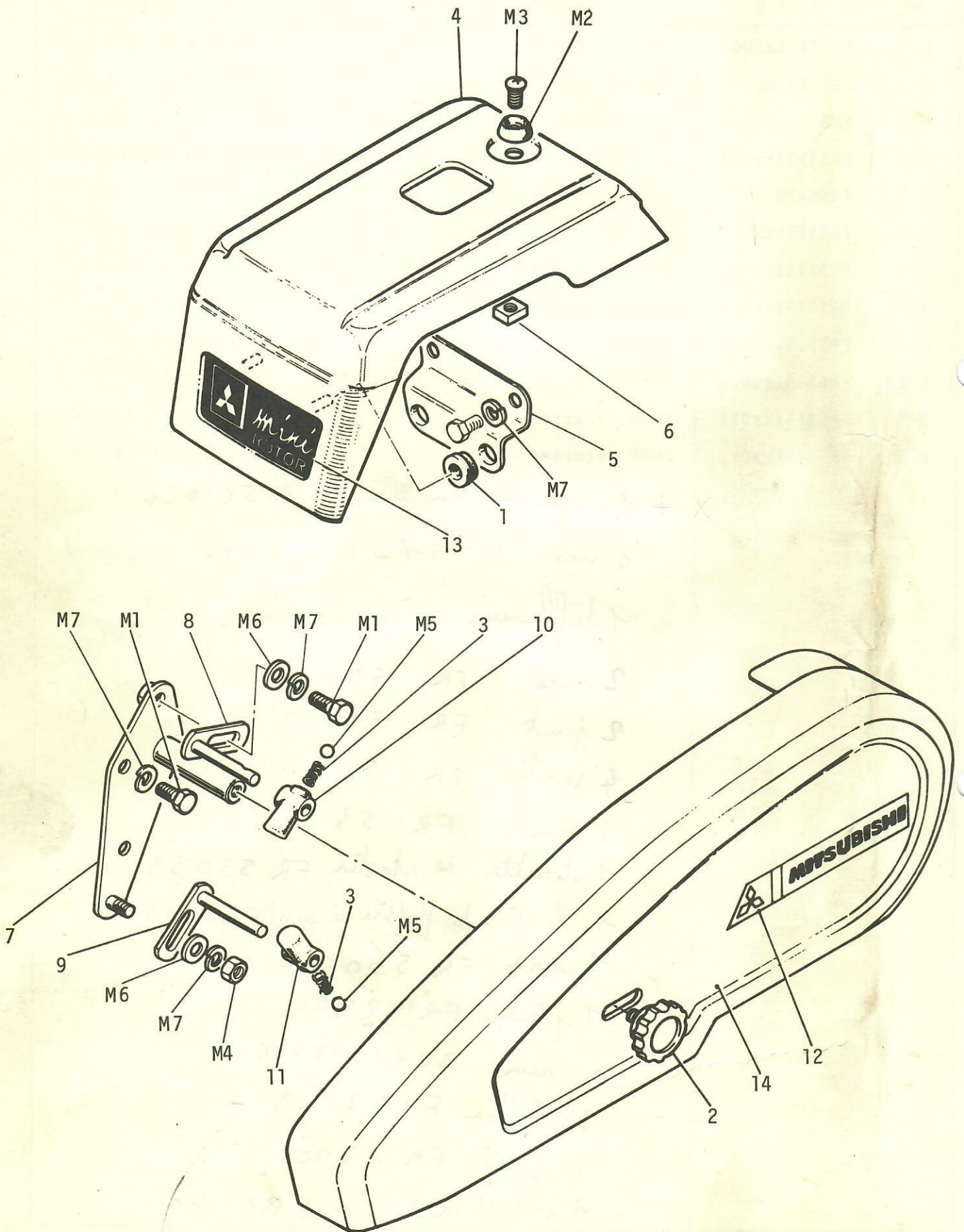
E. RECOIL STARTER

N25L-3S-38

NO.	PARTS NO.	PARTS NAME	Q'TY	REMARKS
E-1	FR53151xx005	SPRING, friction	1	A60112100000
E-2	FR53151xx003	RATCHET	1	A55012100000
E-3	FR53151xx002	PLATE, REEL	1	A54112100000
E-4	FR53151xx004	SPRING, spiral	1	A60010600000
E-5	FR56425	PULLEY, starter	1	A70012101511
E-6	FR53151xx010	E RING	1	500060700612
E-7	FR53151xx006	WASHER, thrust	1	A60310600010
E-8	FR53151xx009	PLATE, friction	1	A56012100010
E-9	FR53151xx007	SPRING, return	1	A60512120000
E-10	FR53151xx008	COVER, spring	1	A61505200000
E-11	FR53151xx013	KNOB, starter	1	A30503200000
E-12	FR53151xx012	ROPE, starter	1	A57151300000

X + 1 corps de lanceur FR 56 424
 4 vis M 081 D 06 X 010
 1 diffuseur FC 05455 X 040
 2 cales FR 53003
 2 joints FR 53002
 4 joints FR 53001
 2 joints FR 53034
 1 trottette de starter FR 53039
 1 boîtier de filtre à air FR 53031B
 1 pipe FR 53057
 1 plaque FR 42206
 2 vis B 071 A 05 X 060
 1 filtre FR 42203 -
 1 joint FR 42204
 1 embout de bougie FR 62008
 1 œil de flotteur FC 02054 X 023
 1 raccord d'essence FC 02061 X 083

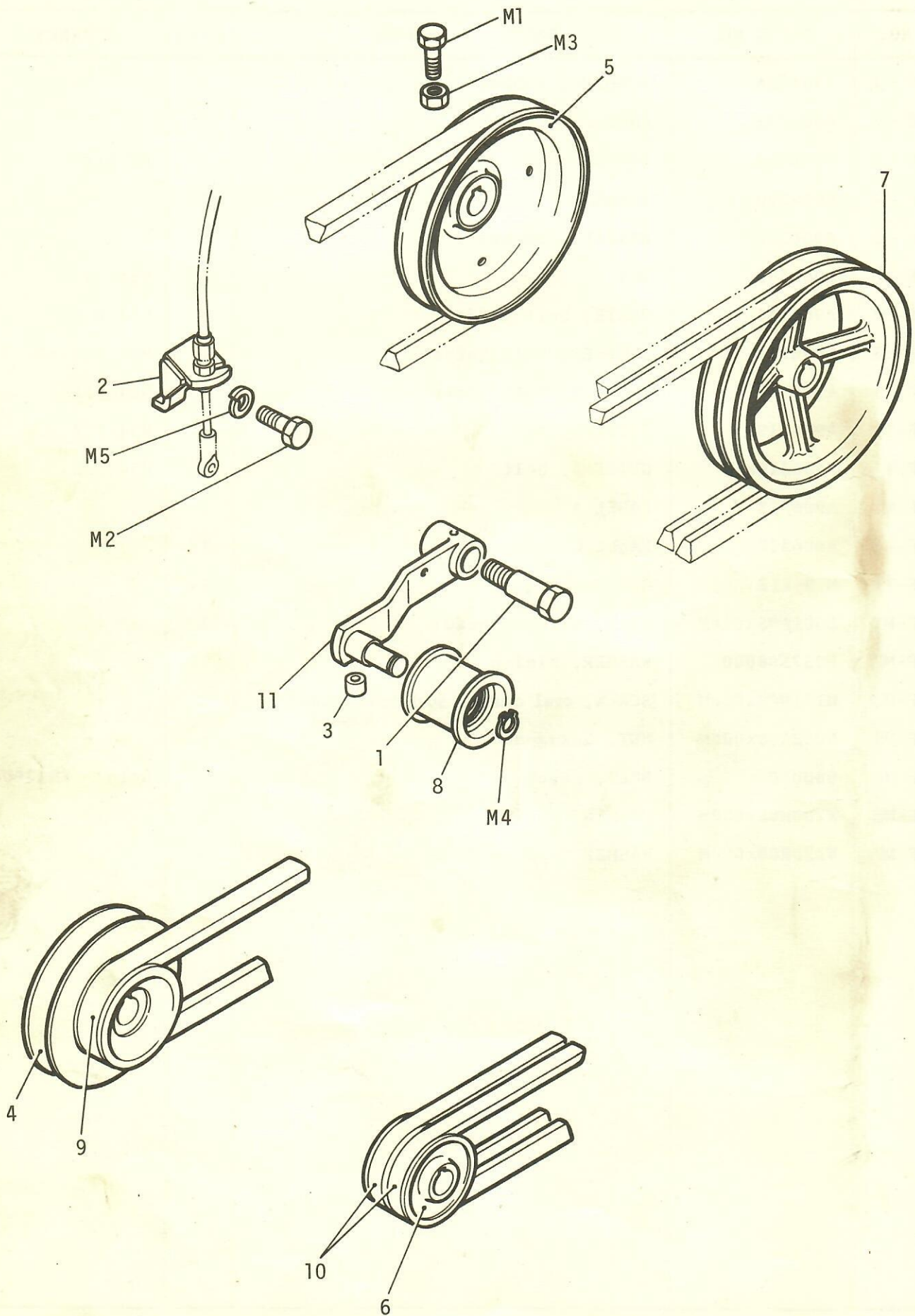
F. BONNET & BELT COVER



F. BONNET & BELT COVER

NO.	PARTS NO.	PARTS NAME	Q'ty	REMARKS
F - 1	A904415	BUSHING, rubber	2	
F - 2	A905743	KNOB	2	
F - 3	A906257	SPRING	2	M7-314
F - 4	A906300	BONNET	1	
F - 5	A906301	BRACKET, bonnet	1	
F - 6	A906302	NUT	1	M54-711
F - 7	A906314	PLATE, belt guide	1	M54-819
F - 8	A906317	STOPPER, belt (upper)	1	M54-820
F - 9	A906318	STOPPER, belt (lower)	1	M54-821
F-10	A906319A	GUIDE A, belt	1	M54-822
F-11	A906319B	GUIDE B, belt	1	M54-822
F-12	A906325	LABEL A	1	
F-13	A906327	LABLE C	1	
F-14	M79-812	COVER, belt	1	
F-M1	B001A08x016M	BOLT, hexagon head	3	
F-M2	F257508000	WASHER, sinish	1	
F-M3	H111D08x016M	SCREW, oval counter sunk head-cross recessed	1	
F-M4	N002A08x000M	NUT, hexagon	1	
F-M5	S800P07	BOLT, steel	2	5/16" SB-2500
F-M6	W200H08x000M	WASHER, palin	2	
F-M7	W220R08x000M	WASHER, spring lock	6	

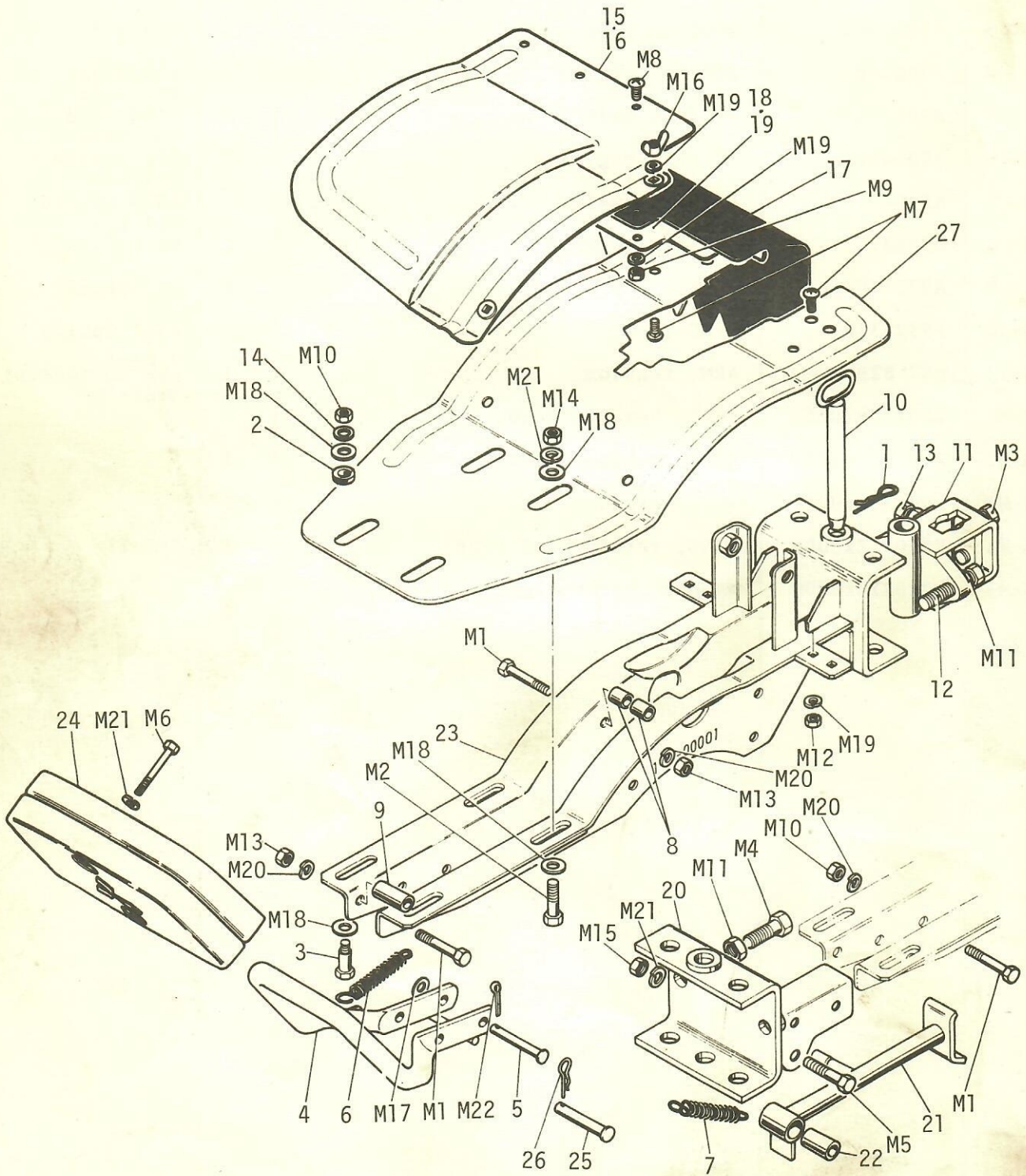
G. PULLEY & TENSION PULLEY



G. PULLEY & TENSION PULLEY

NO.	PARTS NO.	PARTS NAME	Q'TY	REMARKS
G - 1	A906294	BOLT	1	M54-816
G - 2	A906295	BRACKET, tension	1	M54-818
G - 3	A906296	BOOT, rubber	1	M54-825
G - 4	A906330	PULLEY, engine	1	69 ϕ , 113.5 ϕ
G - 5	A906331A	PULLEY, main	1	M54-812a 144 ϕ , 103 ϕ
G - 6	A906401	PULLEY, engine	1	M54-811a 59 ϕ Option
G - 7	A906402	PULLEYL, main	11	M54-814 152 ϕ Option
G - 8	A906421	PULLEY, tension	1	M54-813 M8-817a
G - 9	A932546S	V-BELT X	1	LB ~ SB 33"
G-10	A932531P	V-BELT	2	A33" Option
G-11	M57-829	ARM, tension	1	#20461 old NO. A906291 *ass'y
G-M1	B001A08x025M	BOLT, hexagon head	1	
G-M2	B001A10x025M	BOLT, hexagon head	1	
G-M3	N002A08x000M	NUT, hexagon	1	
G-M4	S510P12x000P	RING, retaining-C type	1	SRS-12
G-M5	W220R10x000M	WASHER, spring lock	1	

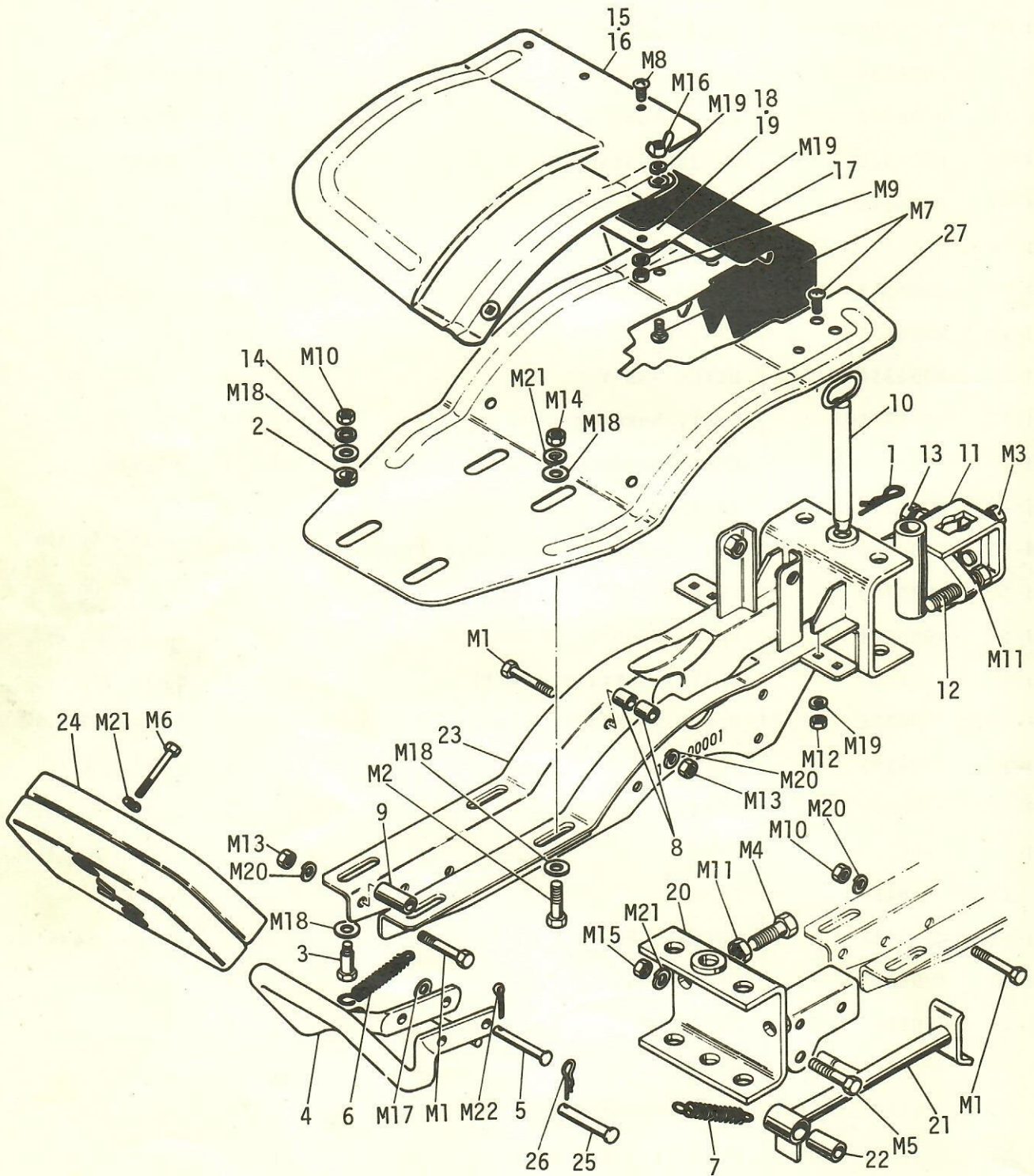
H. FRAME & FENDER



H. FRAME & FENDER

NO.	PARTS NO.	PARTS NAME	Q'TY	REMARKS
H - 1	A906288	CLIP A	1	60346
H - 2	A906298	RUBBER, cushion	2	
H - 3	A906299	BOLT, engine set	2	
H - 4	A906308	STAND	1	M54-412a
H - 5	A906309	PIN, stand	1	M54-413
H - 6	A906310	SPRING, stand	1	M9-417
○ H - 7	A906310A	SPRING, stand	1	K-419
H - 8	A906311	COLLAR	8	M23-416
H - 9	A906312	COLLAR	1	M23-415
H-10	A906333	PIN, king	1	M26-414a
H-11	A906334	HITCH ASS'Y	1	△ ass'y M9-1411a
△ H-12	A90633403	BOLT, hexagon head	2	M12x60
△ H-13	A90633405	BOLT, hexagon head	1	M12x40
H-14	A906376	WASHER	2	
H-15	A906380-1	FENDER ASS'Y, extension (left)	1	*ass'y Option M54-512-L
H-16	A906380-9	FENDER ASS'Y, extension (right)	1	*ass'y Option M54-512-R
* H-17	A906384	SHEET, rubber	2	Option M23-514a
* H-18	A906387	PLATE, setting (left)	1	Option M23-513-L
* H-19	A906388	PLATE, setting (right)	1	Option M23-513-R
H-20	A906395	HITCH ASS'Y, front	1	○ ass'y Option (A906396:M54-414)
○ H-21	A906397	STAND	1	Option M54-415
○ H-22	A906398	PIPE	1	Option M54-416
H-23	A906431	FRAME	1	M54-417
H-24	A999422	WEIGHT, FRONT	1	10Kg ◎ ass'y
H-25	A999423	PIN, stand	1	A906309
H-26	H50166	CLIP	1	
H-27	M62-511	FENDER	1	
○ H-M1	B001A08x050M	BOLT, hexagon head	7	○=2
H-M2	B001A10x045M	BOLT, hexagon head	2	
△ H-M3	B001A12x030M	BOLT, hexagon head	2	
○ H-M4	B001A12x035M	BOLT, hexagon head	2	
○ H-M5	B022A10x045M	BOLT, small type	1	

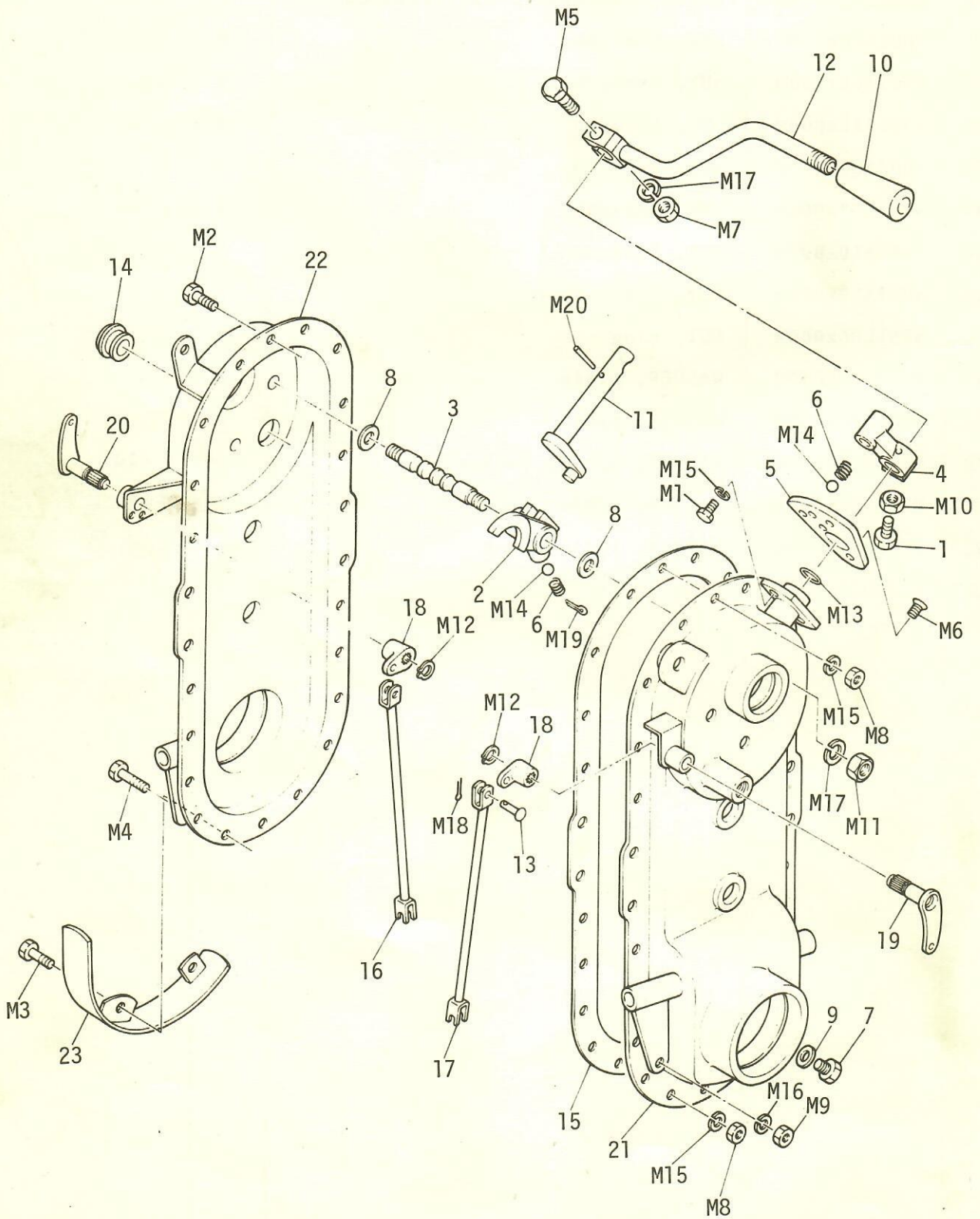
H. FRAME & FENDER



H. FRAME & FENDER

NO.	PARTS NO.	PARTS NAME	Q'ty	REMARKS
⊙H-M6	B022A10x060Z	BOLT, small type	2	F100010060
*H-M7	B301D06x014M	BOLT, round head-square neck	8	* =4
*H-M8	H051D06x016M	SCREW, pan head-cross recessed	6	
*H-M9	N001A06x000M	NUT, hexagon	6	
○H-M10	N001A08x000M	NUT, hexagon	4	○ =2
△H-M11	N001A12x000M	NUT, hexagon	4	△ =2 ○ =2
H-M12	N002A06x000M	NUT, hexagon	4	
H-M13	N002A08x000M	NUT, hexagon	5	
H-M14	N002A10x000M	NUT, hexagon	2	
○H-M15	N022A10x000M	NUT, small type	1	
*H-M16	N351L06x000M	NUT, wing	4	
H-M17	W200H08x000M	WASHER, plain	1	
H-M18	W200H10x000M	WASHER, plain	7	
*H-M19	W220R06x000M	WASHER, spring lock	14	* =10
○H-M20	W220R08x000M	WASHER, spring lock	7	○ =2
⊙H-M21	W220R10x000M	WASHER, spring lock	5	○ =1 ⊙ =2 F251510000
H-M22	W500D30x020M	PIN, split	1	

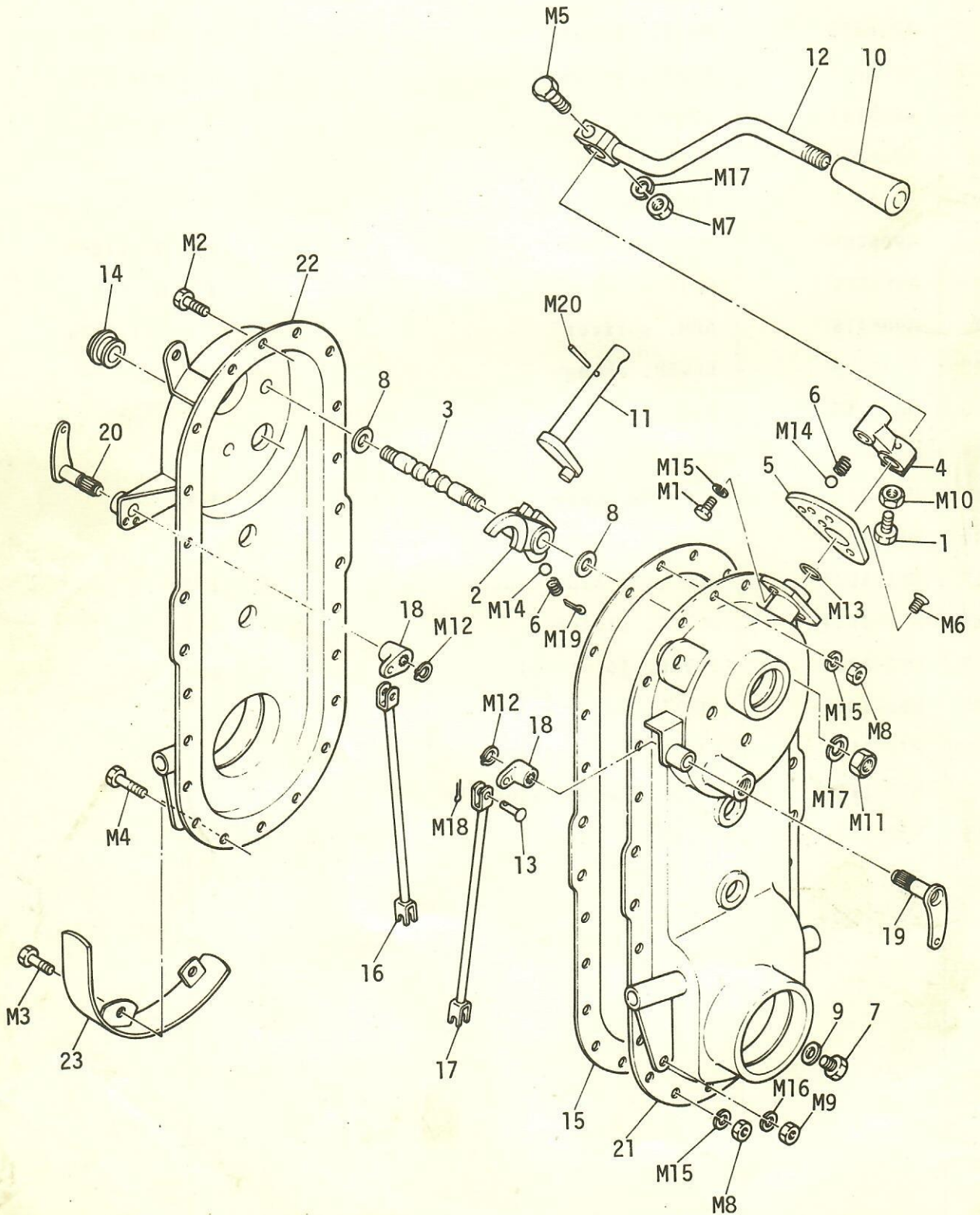
J. TRANSMISSION ASS'Y



J. TRANSMISSION ASS'Y

NO.	PARTS NO.	PARTS NAME	Q'TY	REMARKS
J - 1	A906223	BOLT	1	M54-317
J - 2	A906252	FORK, shifter	1	M54-311
J - 3	A906253	ROD, shifter	1	M54-313
J - 4	A906255	BOSS, change lever	1	M54-316
J - 5	A906256	PLATE, guide	1	M54-314
J - 6	A906257	SPRING	2	M7-314
J - 7	A906262	PLUG, drain	1	M7-129a
J - 8	A906267	PACKING	2	M7-313a
J - 9	A906269	PACKING, drain	1	M7-118
J-10	A906321	GRIP	1	M7-918
J-11	A906418	ARM, shifter	1	M54-312a
J-12	A906419	LEVER, change	1	
J-13	M8-1016	PIN	2	
J-14	M60-116	PLUG	1	
J-15	M62-116	PACKING, case	1	
J-16	M62-1022	ROD (R), side clutch	1	
J-17	M62-1023	ROD (L), side clutch	1	
J-18	M62-1024	JOINT, clutch	2	
J-19	M62-1025	LEVER, joint (L)	1	
J-20	M62-1025	LEVER, joint (R)	1	
J-21	M79-111a	CASE, transmission (L)	1	
J-22	M79-111a	CASE, transmission (R)	1	
J-23	M79-112	COVER	1	

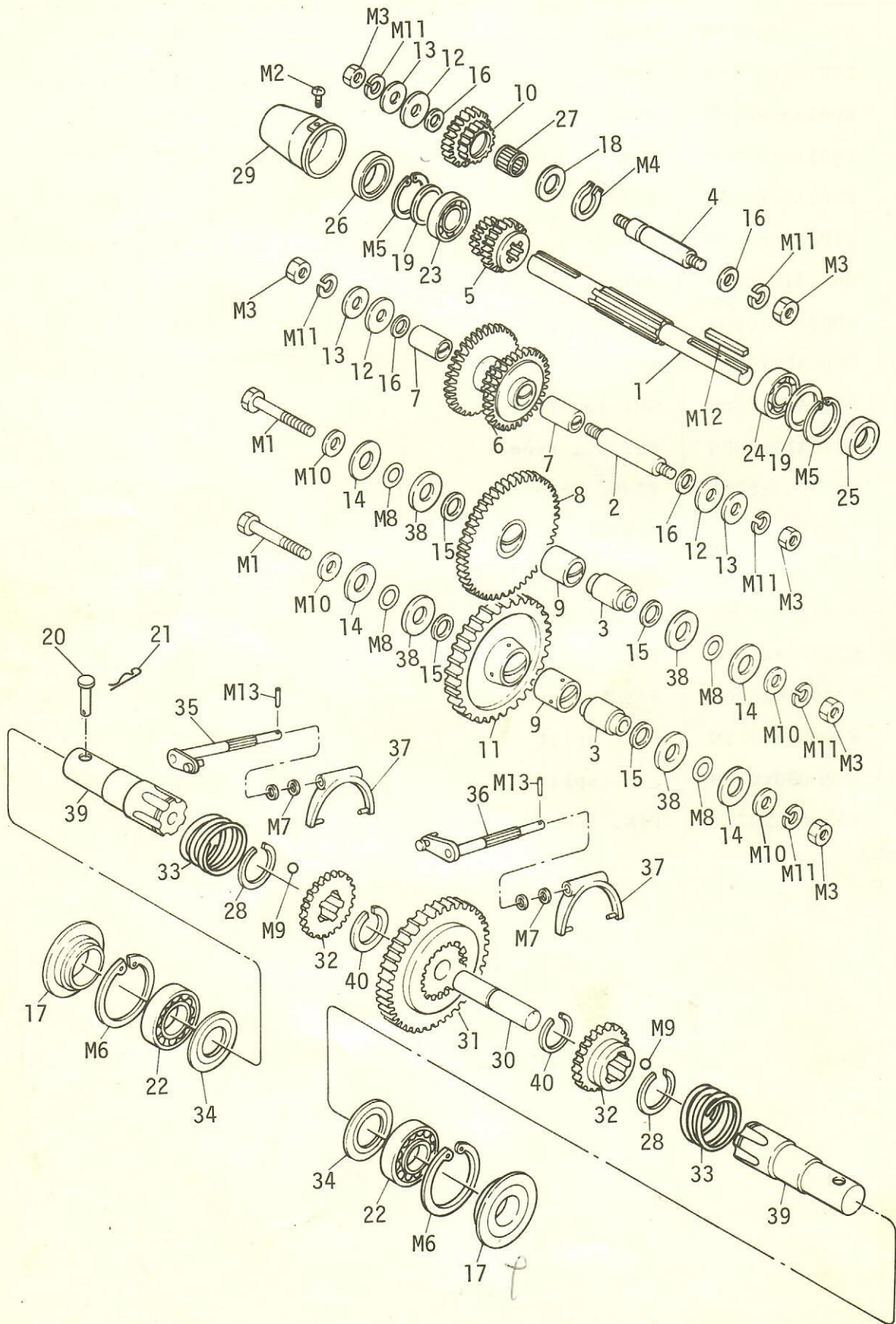
J. TRANSMISSION ASS'Y



J. TRANSMISSION ASS'Y

NO.	PARTS NO.	PARTS NAME	Q'TY	REMARKS
J-M1	B001A06x012M	BOLT	1	
J-M2	B001A06x014M	BOLT	18	
J-M3	B001A06x016M	BOLT	3	
J-M4	B001A08x070M	BOLT	1	
J-M5	B001A10x035M	BOLT	1	M54-913
J-M6	H201D06x012M	SCREW	1	+ pan-hd.
J-M7	N001A10x000M	NUT	1	
J-M8	N002A06x000M	NUT	21	
J-M9	N002A08x000M	NUT	1	
J-M10	N011A08x000M	NUT jam type	1	
J-M11	N012A10x000M	NUT jam type	2	
J-M12	S510P12x000P	RING, snap	2	SRS-12
J-M13	S655W12	O-RING	1	OR-12
J-M14	S800P07	BALL, steel 5/16"	2	SB-2500
J-M15	W220R06x000M	WASHER, spring	22	
J-M16	W220R08x000M	WASHER, spring	1	
J-M17	W220R10x000M	WASHER, spring	3	
J-M18	W500D16x015M	PIN, split	2	
J-M19	W500D30x020M	PIN, split	1	
J-M20	W550A35x025	PIN, taper	1	TP3525

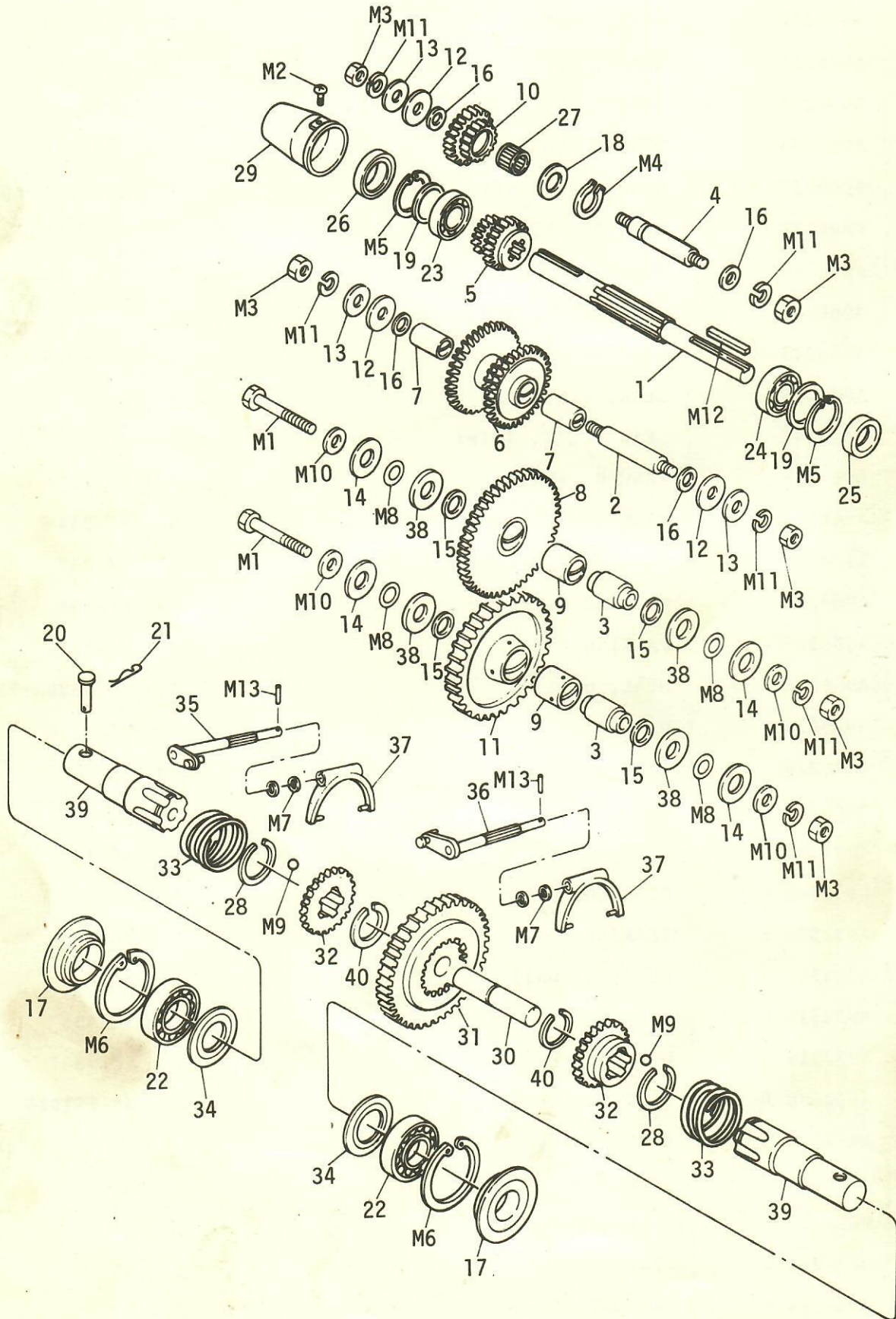
K. TRANSMISSION ASS'Y



K. TRANSMISSION ASS'Y

NO.	PARTS NO.	PARTS NAME	Q'ty	REMARKS
K - 1	A906232	SHAFT, main	1	M54-211
K - 2	A906233	SHAFT, 2nd	1	M54-255
K - 3	A906234	SHAFT, 3rd	1	M23-216
K - 4	A906236	SHAFT, 4th	1	M54-218a
K - 5	A906237	GEAR, 1st shaft	1	20T, 14T M54-212
K - 6	A906238	GEAR ASS'Y, 2nd shaft	1	32T, 14T, 37T M54-213 M54-219
* K - 7	A906240	BUSHING	2	* ASS'Y M54-219
K - 8	A906241	GEAR ASS'Y, 3rd shaft .	1	50T 13T M54-214 O ASS'Y M23-224
⊙ K - 9	A906243	BUSHING	2	M23-224
K-10	A906245	GEAR, 4th shaft	1	15T, 21T M54-217a
K-11	A906247	GEAR ASS'Y, idler	1	33T ⊙ ASS'Y M54-215 M23-224
K-12	A906258	WASHER, shaft	3	M7-217a
K-13	A906264	PACKING A, shaft	3	M7-234b
K-14	A906265	PACKING B, shaft	4	M7-237
K-15	A906266	PACKING C, shaft .	4	M7-238
K-16	A906267	PACKING	4	M7-313a .
K-17	A906270	SEAL, oil	2	QLFY35621319
K-18	A906274	WASHER	1	M54-220
K-19	A906275	SHIM	req'd	
K-20	A906287	PIN	2	M26-1114
K-21	A906288	CLIP A	2	60346
K-22	A932500 C	BEARING, ball	2	#6007
K-23	A932500 K	BEARING, ball	1	#6003
K-24	A932502 A	BEARING, ball	1	#6203
K-25	A932519 R	OIL SEAL	1	SC15357
K-26	A932519 S	OIL SEAL	1	SC17357
K-27	A932598 E	BEARING, needle	1	N6-151917
K-28	AR-47	CLIP, circle	2	
K-29	A906433	SEALD CAP	1	M54-223
K-30	M62-212	SHAFT, center	1	
K-31	M62-213.a	GEAR, clutch	1	35T
K-32	M62-214.b	PINION, clutch	2	

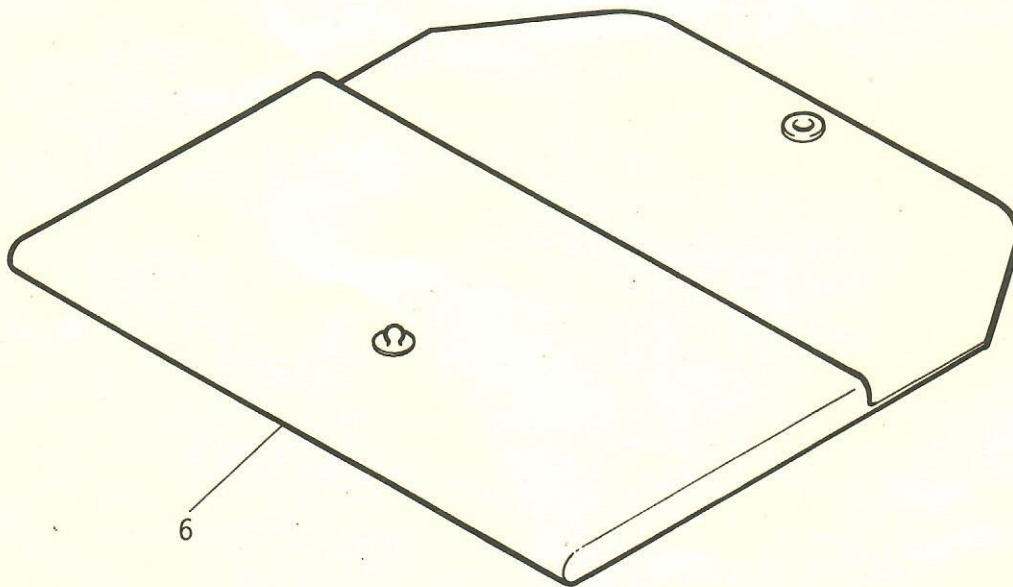
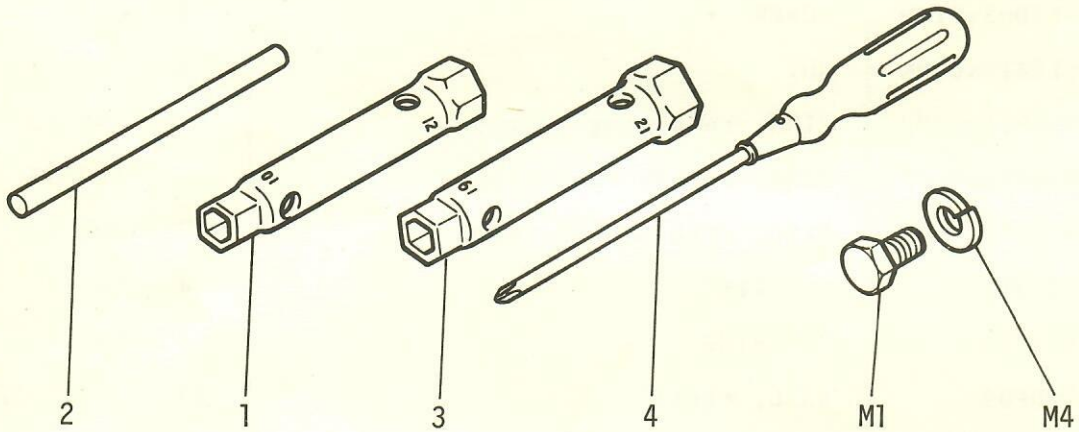
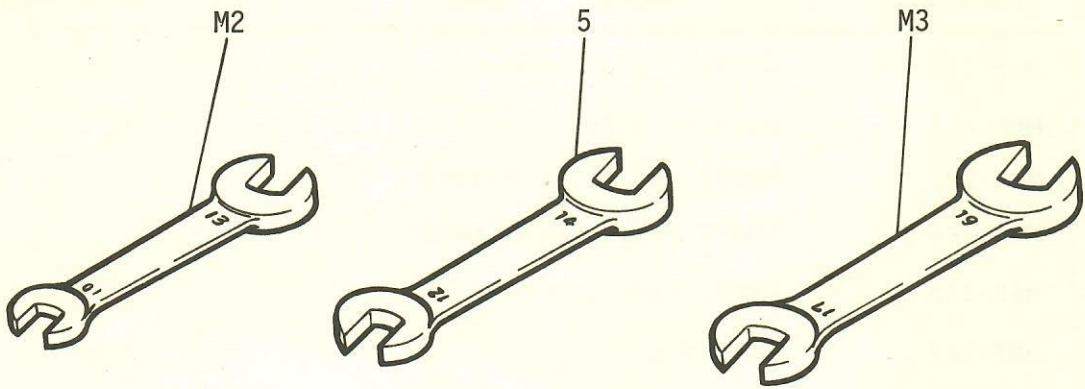
K. TRANSMISSION ASS'Y



K. TRANSMISSION ASS'Y

NO.	PARTS NO.	PARTS NAME	Q' TY	REMARKS
K-33	M62-215.a	SPRING, side clutch	2	
K-34	M62-222	WASHER, axle	2	
K-35	M62-224	SHAFT (R), clutch fork	1	
K-36	M62-225	SHAFT (L), clutch fork	1	
K-37	M62-226	FROK, side clutch	2	
K-38	M67-219	WASHER A	4	
K-39	M79-211	SHAFT, axle	2	
K-40	WR-37	CLIP, circle	2	
K-M1	B022A10x055M	BOLT	2	
K-M2	H051D05x014M	SCREW +	1	
K-M3	N012A10x000M	NUT	6	
K-M4	S510P15x000P	RING, retaining-C type	1	SRS-15
K-M5	S520P35x000P	RING, retaining-C type	2	SRR-35
K-M6	S520P62x000P	RING, retaining-C type	2	SRR-62
K-M7	S655W14	"O" RING	4	OR-14
K-M8	S655W16	"O" RING	4	OR-16
K-M9	S800P09	BALL, steel	24	3/8" SB-3000
K-M10	W200H10x000M	WASHER, plain	4	
K-M11	W220R10x000M	WASHER, spring	6	
K-M12	W405B05x040	KEY	1	
K-M13		NEEDLE, roller	2	

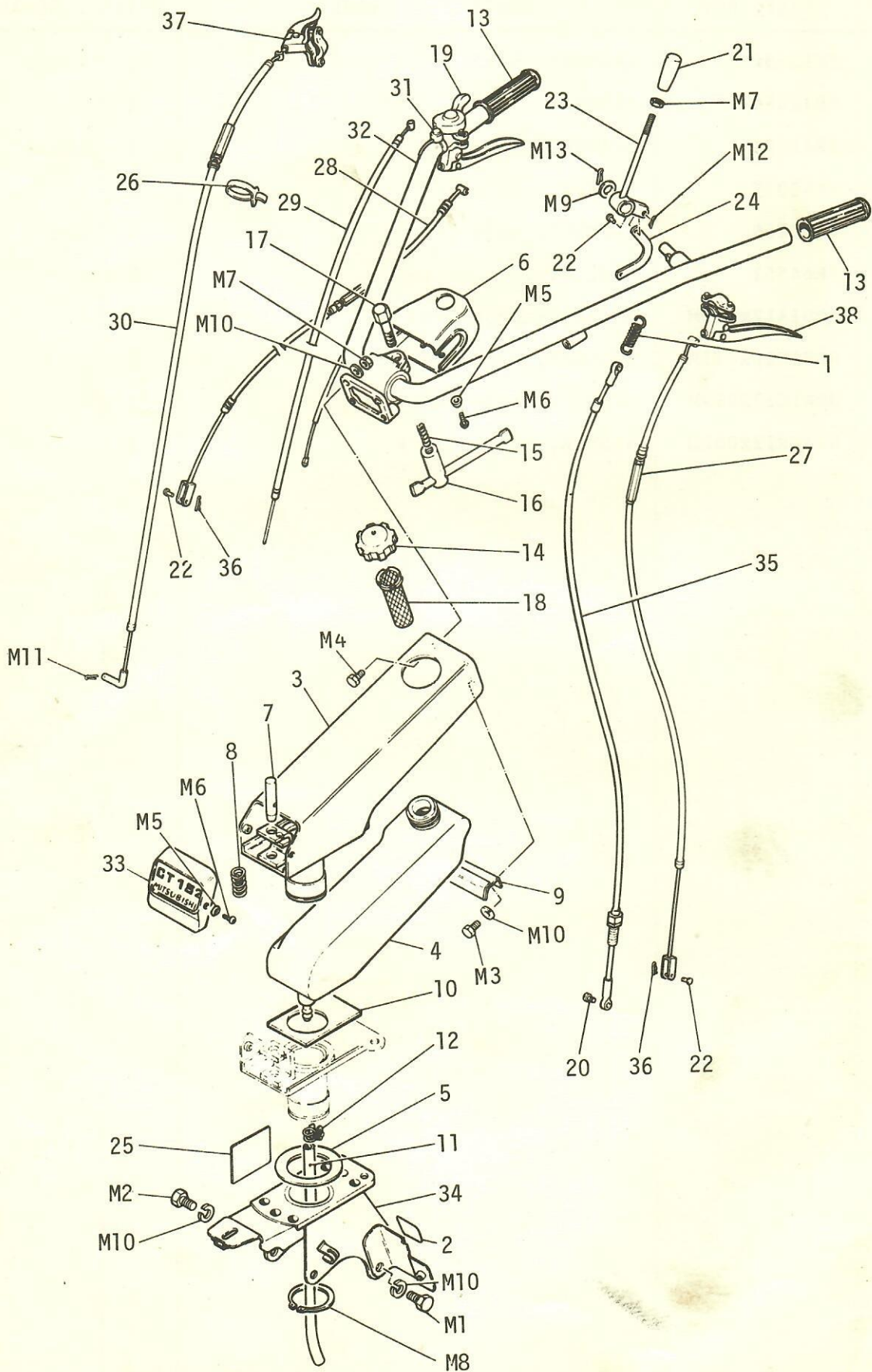
L. TOOL ASS'Y



L. TOOL ASS'Y

NO.	PARTS NO.	PARTS NAME	Q'TY	REMARKS
L - 1	FN15690	SPANNER, box	1	10x12
L - 2	FR42286	HANDLE	1	
L - 3	FR42296	SPANNER, box	1	19x21
L - 4	FR43077	DRIVER	1	+
L - 5	FR50259	SPANNER, open	1	12x14
L - 6	FR64551	BAG, tool	1	
L-M1	B001A12x020M	BOLT, hexagon head	2	
L-M2	R001C10x013M	SPANNER, open end	1	
L-M3	R001C17x019M	SPANNER, open end	1	
L-M4	W220R12x000M	WASHER, spring lock	2	

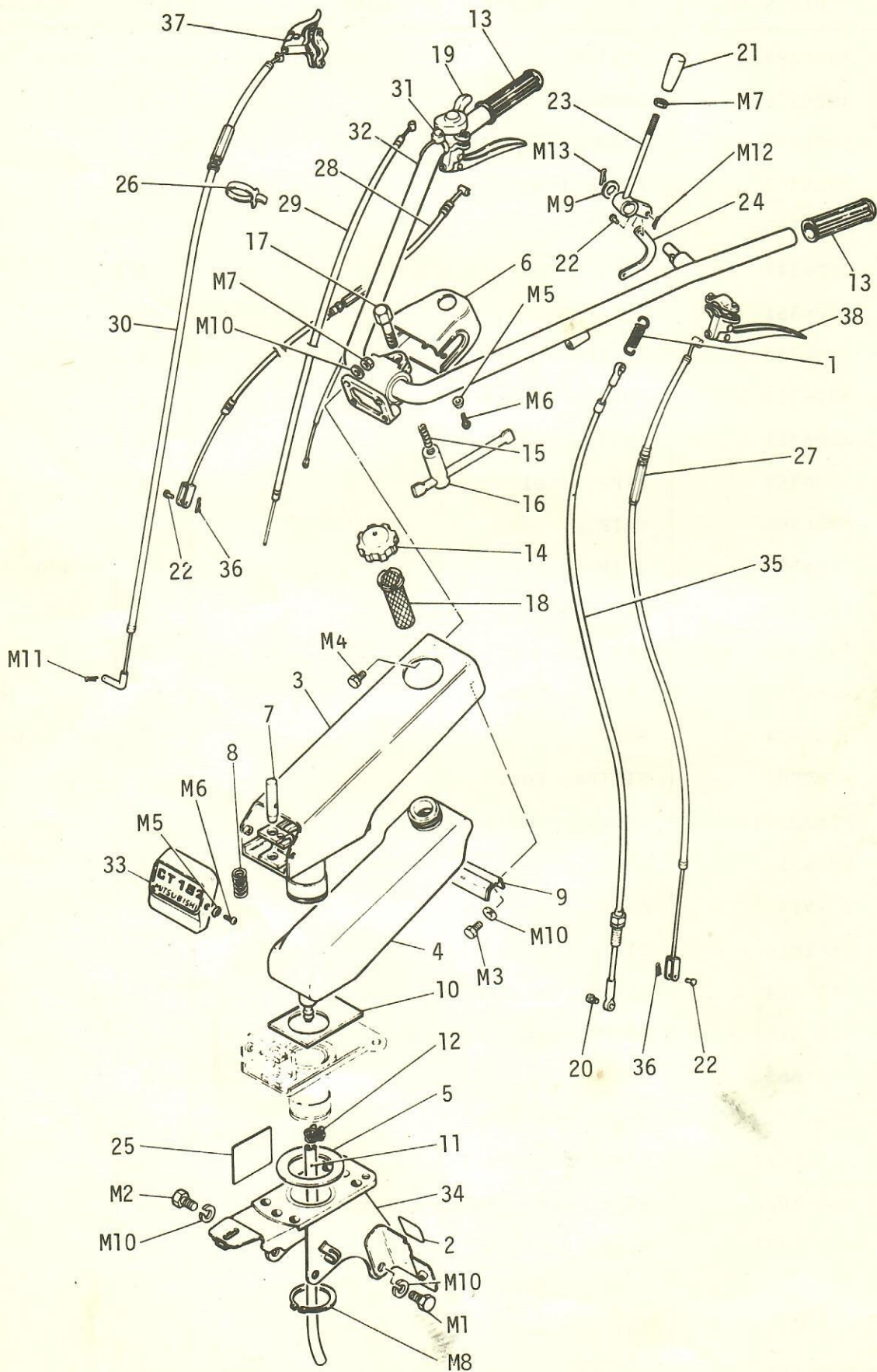
M. HANDLE ASS'Y



M. HANDLE ASS'Y

NO.	PARTS NO.	PARTS NAME	Q'TY	REMARKS
M - 1	A906297	SPRING	1	60496
M - 2	A906326	LABEL B	1	
M - 3	A906343	SHASSIS, handle	1	
M - 4	A906345	TANK, fuel	1	
M - 5	A906346	PLATE	1	
M - 6	A906348	COVER, rear	1	
M - 7	A906351	PIN	1	
M - 8	A906352	SPRING	1	
M - 9	A906353	SUPPORT, tank	1	
M-10	A906354	SEAT	1	
M-11	A906359	PIPE, fuel	1	
M-12	A906360	CLIP	2	
M-13	A906363	GLIP	2	60420
M-14	A906365	CAP ASS'Y	1	
M-15	A906367	SPRING	1	
M-16	A906372	LEVER, clamp	1	
M-17	A906374	BOLT	1	old No.A906364
M-18	BG03560	FILTER, fuel	1	
M-19	E10023112200	LEVER, combination	1	
M-20	M7-835	BOLT	1	
M-21	M7-918	GLIP	1	
M-22	M8-1016	PIN	3	
M-23	M13-824	LEVER, tension	1	left side
M-24	M13-825	JOINT, tension wire	1	
M-25	M26-663	LABEL	1	
M-26	M49-631	BAND, rubber	2	
M-27	M62-1017	WIRE, side clutch (left)	1	
M-28	M62-1018	WIRE, side clutch (right)	1	
M-29	M62-1313	WIRE, throttle	1	
M-30	M65-620	WIRE B, bowden	1	
M-31	M78-1312	SWITCH, stop X	1	
M-32	M79-611	HANDLE	1	

M. HANDLE ASS'Y



M. HANDLE ASS'Y

NO.	PARTS NO.	PARTS NAME	Q'TY	REMARKS
M-33	M79-612	COVER, front	1	
M-34	M79-613	BRACKET, handle	1	
M-35	M79-811	WIRE A, bowden	1	
M-36	RP-06	R-PIN	2	
M-37	SC-1300	LEVER, turning	1	E10011312600
M-38	SC-3114	LEVER, side clutch	1	
M-M1	B001A10x020M	BOLT, hexagon head	2	
M-M2	B001A10x025M	BOLT, hexagon head	1	
M-M3	B022A10x016M	BOLT, small type	2	
M-M4	B022A10x025M	BOLT, small type	2	
M-M5	F257506000	WASHER, finish	4	
M-M6	H111D05x012M	SCREW, oval countersunk head-cross recessed	4	
M-M7	N022A10x000M	NUT, small type	3	
M-M8	S510P60x000P	RING, retaining-C type	1	SRS-60
M-M9	W200H16x000M	WASHER, plain	1	
M-M10	W220R10x000M	WASHER, spring lock	7	
M-M11	W500D16x012M	PIN, split	1	
M-M12	W500D16x015M	PIN, split	1	
M-M13	W500D30x025M	PIN, split	1	

INDEX

Parts No.	Page	Parts No.	Page	Parts No.	Page
[A]					
A001W14	4	A906309	22	A906388	22
A904415	18	A906310	22	A906395	22
A905743	18	A906310A	22	A906397	22
A906223	26	A906311	22	A906398	22
A906232	30	A906312	22	A906401	20
A906233	30	A906314	18	A906402	20
A906234	30	A906317	18	A906418	26
A906236	30	A906318	18	A906419	26
A906237	30	A906319A	18	A906421	20
A906238	30	A906319B	18	A906431	22
A906240	30	A906321	26	A906433	30
A906241	30	A906325	18	A932500C	30
A906243	30	A906326	36	A932500K	30
A906245	30	A906327	18	A932502A	30
A906247	30	A906330	20	A932519R	30
A906252	26	A906331A	20	A932519S	30
A906253	26	A906333	22	A932531P	20
A906255	26	A906334	22	A932546S	20
A906256	26	A906334-03	22	A93259E	30
A906257	18, 26	A906334-05	22	A999422	22
A906258	30	A906343	36	A999423	22
A906262	26	A906345	36	AR-47	30
A906264	30	A906346	36	[B]	
A906265	30	A906348	36	B001A06x012M	28
A906266	30	A906351	36	B001A06x014M	28
A906267	26, 30	A906352	36	B001A06x016M	28
A906269	26	A906353	36	B001A08x016M	18
A906270	30	A906354	36	B001A08x025M	20
A906274	30	A906356	36	B001A08x050M	22
A906275	30	A906357	36	B001A08x070M	28
A906287	30	A906358	36	B001A10x020M	38
A906288	22, 30	A906359	36	B001A10x025M	38
A906294	20	A906360	36	B001A10x035M	28
A906295	20	A906363	36	B001A10x045M	22
A906296	20	A906365	36	B001A12x020M	34
A906297	36	A906367	36	B001A12x030M	22
A906298	22	A906372	36	B001A06x035M	22
A906299	22	A906374	36	B011A06x008	88
A906300	18	A906376	36	B011A06x010	2
A906301	18	A906380-1	22	B011A08x016	10
A906302	18	A906380-9	22	B022A10x016M	38
A906308	22	A906384	22	B022A10x025M	38
		A906387	22	B022A10x045M	22
				B022A10x055M	32

INDEX

Parts No.	Page	Parts No.	Page	Parts No.	Page
B022A10x060Z	24	FN11223	4	FR42204	4
B071A05x060	4	FN14784	8	FR42206	4
B071A05x065	4	FN15690	34	FR42261A~ D	2
B081A05x008	8	FR15491A	8	FR42262A~ D	2
B081A06x010	10	FR18339	4	FR42286	34
B081A06x012	10	FR18429A	8	FR42290	2
B081A06x016	10	FR18544	8	FR42296	34
B301D06x014M	24	FR41231	10	FR42556	8
BG01433	2	FR41238	4	FR42665	10
BG01475	4	FR41323	8	FR42675	4
BG03560	36	FR41350	8	FR42677xx004	10
BG04168	2	FR41494	12	FR42677xx005	10
BG05704	4	FR41494xx015	12	FR42677xx006	10
BG05705	2	FR41498B	12	FR42677xx007	10
		FR41504	12	FR42680	10
[E]		FR41506	12	FR42937	2
E100231122000	36	FR41510	12	FR-42962	4
		FR41511	12	FR43077	34
[F]		FR41512	12	FR50259	34
F257506000	38	FR41518	12	FR53001	2, 8
F257508000	18	FR41802B	2	FR53002	4
FA21088	4	FR41803B	2	FR53003	4
FC-02012xx104	14	FR41814B	2	FR53031B	4
FC-02013xx168	14	FR41825	6	FR53034	4
FC-02024xx195	14	FR41828	6	FR53036	8
FC-02054xx023	14	FR41829	6	FR53039	4
FC-02057xx033	14	FR41830	6	FR53053	4
FC-02058xx001	14	FR41835	8	FR53057	4
FC-02061xx083	14	FR41845	8	FR53078	10
FC-02068xx245	14	FR41846	2	FR53133	4
FC-02105xx227	14	FR41859	6	FR53151xx002	16
FC-02175xx975	14	FR41867	8	FR53151xx003	16
FC-03015xx250	14	FR41869	8	FR53151xx004	16
FC-03016xx312	14	FR41890	2	FR53151xx005	16
FC-03051xx081	14	FR41909	2	FR53151xx006	16
FC-04714xx150	14	FR41935	4	FR53151xx007	10
FC-05111xx064	14	FR41990	2	FR53151xx008	10
FC-05455xx040	14	FR41997	8	FR53151xx009	10
FC-06004xx517	14	FR42116	8	FR53151xx010	16
FC-06234xx003	14	FR42143	8	FR53151xx012	16
FC-14603xx005	14	FR42149	2	FR53151xx013	16
FC-16104xx020	14	FR42202	4	FR53226	4, 8
FC-19430xx080	14	FR42203	4	FR53274	4

INDEX

Parts No.	Page	Parts No.	Page	Parts No.	Page
FR53581	2	M49-631	36	N012A10x000M	28,32
FR53582	4	M57-829	20	N022A10x000M	24,38
FR53629	8	M60-116	26	N351L06x000M	24
FR56400	4	M62-116	26		
FR56406	8	M62-212	30	[P]	
FR56421A	10	M62-213a	30	P002W08x200B	4
FR56423	10	M62-214b	30	P050Y04x230	10
FR56424	10	M62-215a	32	[R]	
FR56425	16	M62-222	32	RP-06	38
FR56426	10	M62-224	32	R001C10x013M	34
FR56427	12	M62-225	32	R001C17x019M	34
FR56430	6	M62-226	32	[S]	
FR56466	10	M62-511	22	S111x62x030	8
FR56469	6	M62-1017	36	S111x62x040	8
FR56477	4	M62-1018	36	S500P04	8
FR62008	2	M62-1022	26	S510P12x000P	20,28
FR63087	2	M62-1023	26	S510P15x000P	32
FR64551	34	M62-1024	26	S510P60x000P	38
		M62-1025	26	S520P35x000P	32
		M62-1313	36	S520P62x000P	32
		M65-620	36	S655W12	28
		M67-219	32	S655W14	32
[H]		M78-1312	36	S655W16	32
H50166	22	M79-111a	26	S800P07	8,28
H051D04xx008	2	M79-112	26	S800P09	32
H051D04x020	2	M79-611	36	SC-1300	38
H051D05x014	32	M79-612	38	SC-3114	38
H051D06x016M	24	M79-613	38		
H081D04x008	12	M79-811	38	[W]	
H081D04x012	12	M79-812	18	WR-37	32
H081D04x024	12			W200H06	2,8,
H081D06x016	12			W200H08x000M	18,24
H081D06x010	2,8			W200H10x000M	24,32
H111D05x012M	38	[N]		W205H04	12
H111D08x016M	18	N001A05L	8	W205H05	8
H201D06x012M	28	N001A06	4	W205H08	10
		N001A06x000M	24	W220R05	8
[M]		N001A08x000M	24	W220R06	4
M7-835	36	N001A10x000M	28	W220R06x000M	24,28
M7-918	36	N001A12x000M	24	W220R08x000M	18,24,28
M8-1016	26,36	N002A06x000M	24,28,	W220R10x000M	20,24,28,32,38
M13-824	36	N002A08x000M	18,20,24,28	W220R12x000M	34
M13-825	36	N002A10x000M	24	W405B05x035	8
M26-663	36	N011A08x000M	28		

INDEX

Part No.	Page	Parts No.	Page	Parts No.	Page
W405B05x040	32				
W500D16x012M	38				
W500D16x015M	28, 38				
W500D30x020M	24, 28				
W500D30x025M	38				
W550A35x025	28				
W620D03x010	8				
[Z]					
ZZ7003B	2				
ZZ70010xx025	8				
ZZ70025xx035	2				