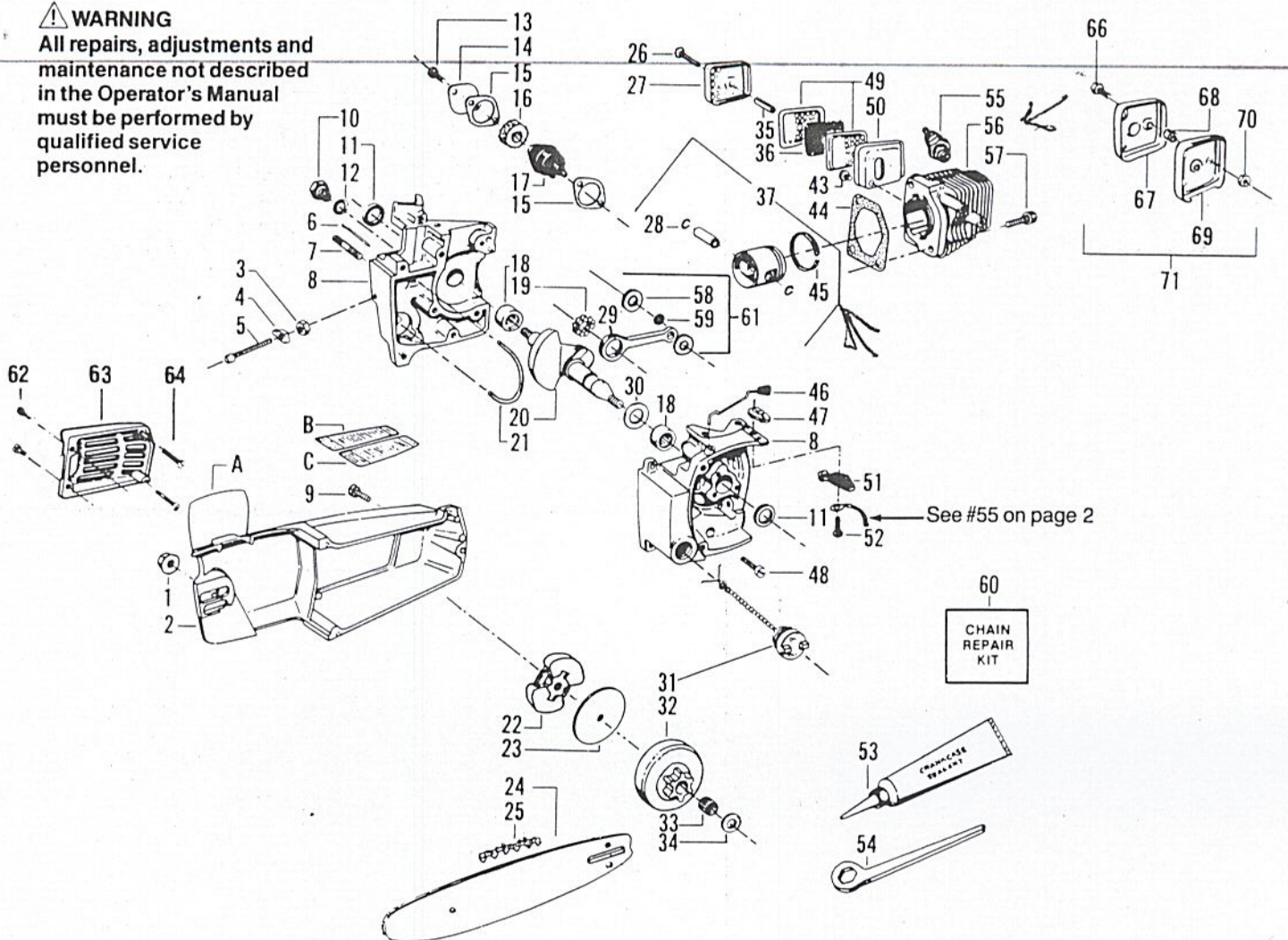


NOTE: Illustrations may differ from actual models due to design changes.

WARNING
All repairs, adjustments and maintenance not described in the Operator's Manual must be performed by qualified service personnel.



KEY NO.	PART NO.	QTY.	DESCRIPTION	KEY NO.	PART NO.	QTY.	DESCRIPTION	KEY NO.	PART NO.	QTY.	DESCRIPTION	KEY NO.	PART NO.	QTY.	DESCRIPTION
1	15251	1	Nut - Bar Mounting	25	—	1	Chain	45	—	1	Piston Ring	61	10474	1	Connecting Rod Ass'y. Kit
2	11834	1	Bar Clamp	51207	—	1	1800/10" (P101S-40)	24929	—	1	Model 1800				(Incl. 58 & 59)
3	15135	1	Lock Nut #8 - 32	51208	—	1	2000/12" (P101S-45)	23789	—	1	Model 2000 (before Date Code/Serial #A1890001)				Model 2000 (Date Code/Serial #A1890001 and after)
4	23492	1	Pin - Bar Adjust	51209	—	1	2000/14" (P101S-52)	25875	—	1	Model 2000 (Date Code/Serial #1890001 and after)	62	15474	2	Screw - Muffler Shield - Front - #10 - 24 x 1/2 - Type II
5	15236	1	Screw Bar Adjust	26	15169	1	Screw #10 - 24 x 1 x 7/16	46	23788	1	Knob Ass'y. Switch	63	25259	1	Muffler Shield - Type II
6	23792	1	Pin - Oil Tank Vent	27	23795	1	Cover - Muffler	47	23786	1	Ramp Switch	64	15463	2	Screw - Muffler Shield - Rear - #10 - 14 x 9/16 - Type II
7	15642	1	Stud - Bar Mounting	28	23843	2	Retainer - Piston Pin	48	15238	7	Screw #10 - 24 x 11/16				
8	10469	1	Crankcase Assembly (Incl. #3-7, 10, 11 & 18)	29	22158	1	Connecting Rod	49	23797	2	Baffle - Muffler				
9	15623	1	Screw #10 - 24 x 1 Soc. Hd. See Service Ref. 3.	30	23887	1	Thrust Washer - Crankshaft	50	23794	1	Body - Muffler	66	15333	3	Screw - Hex - 8 - 24 x 7/16 - Type I
10	69142	1	Check Valve Kit - Oil Tank Pressure (Incl. 12)	31	10221	1	Oil Cap Ass'y. (Incl. O-Ring)	51	23787	1	Clamp - Switch	67	24201	1	Shield - Heat - Type I
11	19059	2	Seal - Crankshaft	32	69166	1	Clutch Drum	52	15235	1	Screw - #8 x 9/16 Tapping	68	15331	3	Spacer - Cover - Type I
12	19089	1	Gasket - Check Valve	33	32079	1	Bearing - Clutch (Use only with Clutch Drum & Bearing Kit #69166)	53	30054	1	Sealant - Crankcase (Optional)	69	24202	1	Cover - Muffler - Type I
13	15176	2	Screw - #8 - 32 x 1/2	34	23519	1	Spacer - Clutch (Inside)	54	31063	1	Bar Adjusting Tool	70	15332	3	Lock Nut - 8 - 32 - Type I
14	23802	1	Cover - Metering Body	35	23535	1	Spacer - Muffler Cover	55	30005	1	Spark Plug CJ-8	71	69034	1	Kit - Heat Shield - Type I only
15	19091	2	Gasket - Metering Body	36	23796	1	Screen - Spark Arrestor	56	—	1	Cylinder				
16	23801	1	Filter Oil	37	—	1	Piston Kit - (Incl. 28, 45 & Pin)	12063	—	—	Model 1800				
17	10195	1	Ass'y. - Metering Body					12139	—	—	Type I	A	—	1	Decal - Bar Clamp
18	32058	2	Bearing - Crankshaft					12140	1	1	Type II		26833	—	1800/10"
19	32065	1	Bearing - Roller (Incl. 12 bearings)					57	15239	2	Screw - 1/4 - 20 x 3/4 Socket	B	26835	—	2000/12" & 14"
20	22172	1	Crankshaft - Solid State					58	15486	2	Washer - Rod (Top) Model 2000 (Date Code/Serial #A1890001 and after)	C	26918	1	Decal Instructions (Right Hand)
21	21026	1	Line - Oil Discharge										26851	1	Decal Instructions (Left Hand)
22	*****	1	Clutch Ass'y. Kit (Incl. washer) - See Service Ref. 2.	10432	—	—	Model 2000								
23	69197	1	Clutch Washer Kit (Outside) - See Service Ref. 2.	43	1666	2	Screw - #10 - 24 x 1/2	59	32075	1	Bearing Rod (Top - Incl. 21 bearings) Model 2000 (Date Code/Serial #A1890001 and after)	Not Shown	66921	1	Operator's Manual
24	—	1	Guide Bar	44	19139	1	Gasket - Cylinder						60826	—	1800/10" & 2000/12"
	44164	—	1800/10"										60827	—	2000/14"
	44165	—	2000/12"										60726	—	2000/14" with carrying case
	44166	—	2000/14"												
	44286	—	1800/12" H.T.												

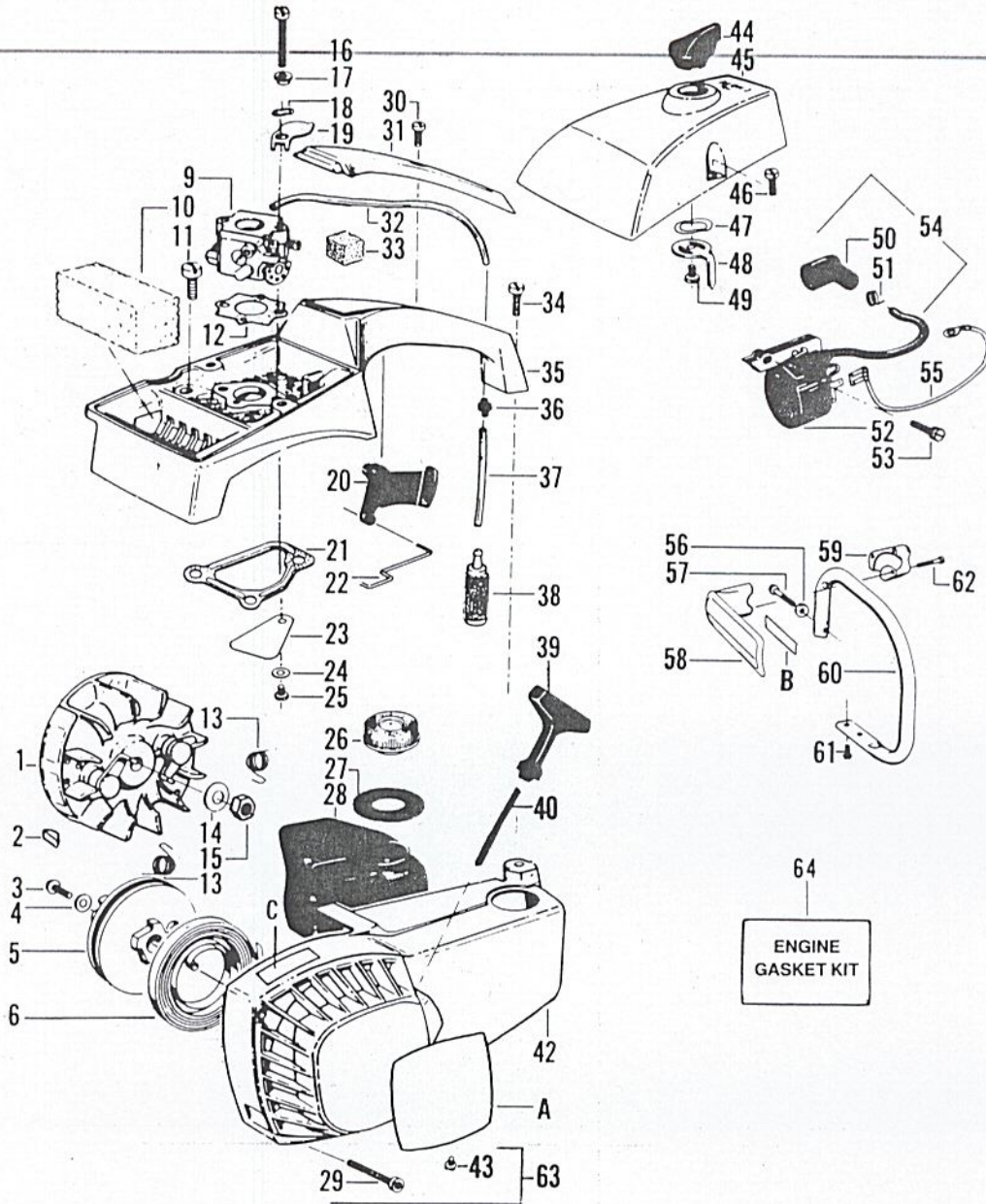
✓ = Part Change
***** = Service Reference
◇ = New Part No.

* Indicates Contents of Engine Gasket Kit, Key #64, Page 2

POULAN® PARTS LIST

CHAIN SAW
MODELS: 1800-2000

NOTE: Illustrations may differ from actual models due to design changes.



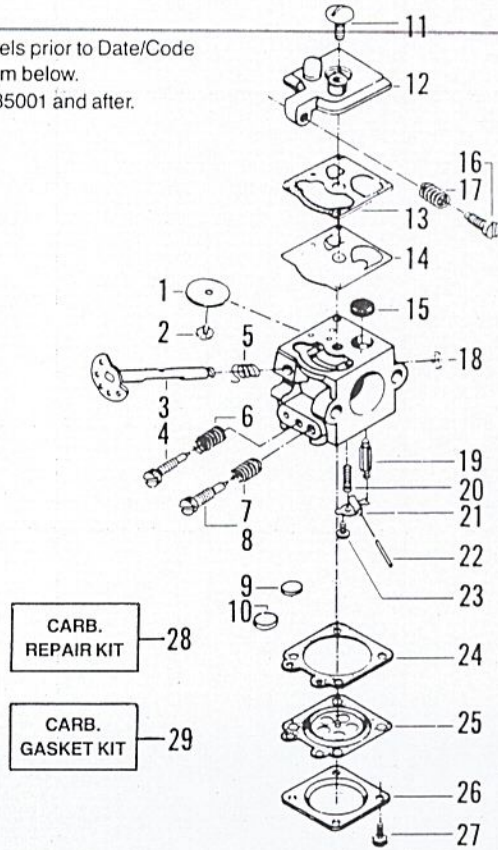
KEY NO.	PART NO.	QTY.	DESCRIPTION	KEY NO.	PART NO.	QTY.	DESCRIPTION	KEY NO.	PART NO.	QTY.	DESCRIPTION	KEY NO.	PART NO.	QTY.	DESCRIPTION
1	39111	1	Flywheel Assembly (Incl. #13)	26	10729	1	Fuel Cap Ass'y.	43	15650	1	Screw - #10 - 24 x 5/8 - Soc. Hd. Sems - See Service Ref. 4.	60	22222	1	Handlebar
2	15126	1	Key - Flywheel	27	19093	1	*Seal - Fuel Tank Neck	44	23807	1	Choke Knob	61	15037	2	Screw - #10 - 24 x 5/8 Hex Head
3	15036	1	Screw - #10 - 24 x 1/2	28	10775	1	Fuel Tank Ass'y. (Incl. #26, 27, 37 & 38)	45	—	1	Cover Carburetor Type I (Green)	62	15509	3	Screw - #10 x 1 Phil. Pan Hd Kit - Fan Hsg. Screws (Incl. #29 & 43, this page and #9 from page 1) - See Service Ref. 3
4	15428	1	Washer - Starter Pulley	29	15649	1	Screw - #10 - 24 x 1-3/8 - Soc. Hd. See Service Ref. 3.	46	23775	—	Type II (Black)	63	69199	1	Kit - Engine Gasket (Contents indicated by *)
5	69200	1	Kit - Pulley Replacement (Incl. Washer & #39 & 40)	30	15247	1	Screw - #8 x 3/4 Tapping	47	15168	2	Screw - #10 - 24 x 5/8	64	69022	1	Kit - Engine Gasket (Contents indicated by *)
6	42023	1	Spring - Starter	31	—	1	Cover Handle	48	15147	1	Wave Washer	DECALS			
9	35181	1	Carburetor - See page 5.	32	23774	—	Type I (Green)	49	15407	1	Screw - #8 - 16 x 3/8 Tapping	A	—	1	Decal - Fan Housing
10	23791	1	Filter - Air	33	24967	—	Type II (Black)	50	3934	1	Boot - Spark Plug	—	26834	—	Model 1800
11	15242	3	Screw - 1/2 - 20 x 11/16	34	21025	1	Fuel - Line Carburetor	51	3933	1	Connector - Spark Plug	—	26836	—	Model 2000
12	19045	1	Gasket - Carburetor	35	23373	1	Boot - Throttle Wire	52	69202	1	Kit - Module Ignition (Incl. #54 & 55)	B	26849	1	Decal - Handguard
13	23817	2	Spring - Starter Dog	36	15141	1	Screw 1/4 - 20 x 3/4	53	15128	2	Screw - B - 32 x 3/4 Sems	C	—	1	Decal - Replacement Bar & Chain
14	15127	1	Washer - Flywheel	37	25233	1	Handle & Carburetor Hsg.	54	39082	1	Lead - Spark Plug (Incl. #50 & 51)	—	26855	—	Model 1800
15	626605	1	Nut - 5/16 - 24	38	23877	1	Fitting - Fuel Line	55	39116	1	Lead - Switch - See Service Ref. 1	—	26856	—	Model 2000/12"
16	15245	2	Screw - #10 - 24 x 1-5/8	39	69216	1	Line Kit (Bulk B133)	56	15151	1	Washer - Handlebar Top	—	26857	—	Model 2000/14"
17	23865	1	Spacer - Choke Shutter	40	91878	1	Fuel Pick-up Ass'y. - See Service Ref. 4	57	1648	1	Screw - 1/4 - #20 x 1-1/4				
18	15254	1	Wave Washer	42	11896	1	Handle - Starter	58	24091	1	Handguard				
19	23805	1	Shutter - Choke	43	—	1	Rope Kit	59	24049	1	Cap - Handguard				
20	24803	1	Trigger - Throttle												
21	19118	1	Kit - Carburetor Housing												
22	26606	1	Wire - Throttle												
23	23366	1	Reed Valve												
24	23367	1	Washer - Reed Valve												
25	15241	1	Screw - #6 x 5/16 Tapping												

✓ = Part Change
 ***** = Service Reference
 ◊ = New Part No.
 *Indicates Contents of Engine Gasket Kit, Key No. 64, this page

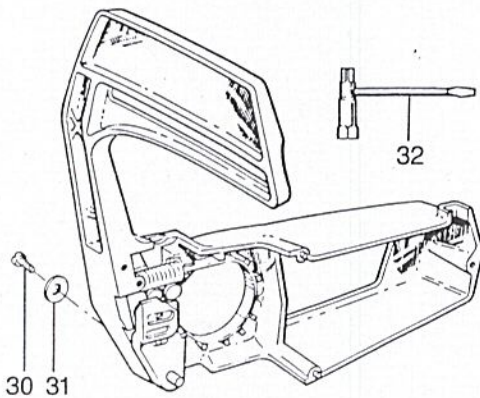
A. Carburetor Assembly #35158 & 35181

- Carburetor WT-3 (#35158 - no longer available) was used on models prior to Date/Code Serial #A335001. Replace with #35181. Order individual parts from below.
- Carburetor WT-20 (#35181) was used on models Date/Serial #A335001 and after.

KEY NO.	PART NO.	DESCRIPTION
1	35006	Valve Throttle
2	35015	Screw-Throttle Valve
3	35034	Shaft Assembly-Throttle
4	35171	Needle-Low Speed Mixture
5	35024	Spring-Throttle Return
6	35023	Spring-Low Speed Mixture Needle
7	35167	Spring-High Speed Mixture Needle
8	35169	Needle-High Speed Mixture
9	35162	*Plug-5/16 Dia. Welch
10	35163	*Plug-1/4 Dia. Welch
11	35017	Screw-Pump Cover
12	35159	Cover-Fuel Pump
13	35164	+ *Gasket-Fuel Pump
14	35166	+ *Diaphragm-Fuel Pump
15	—	*Screen-Fuel Inlet
	35172	WT-3 (#35158)
	35027	WT-20 (#35181)
16	35035	Screw-Idle Speed Adjusting
17	35168	Spring-Idle Speed Adjusting Screw
18	35007	Ring-Throttle Retainer
19	35106	*Valve-Inlet Needle
20	35188	*Spring-Metering Lever
21	35031	*Lever-Metering
22	35028	*Pin-Metering Lever
23	35016	*Screw-Metering Lever Pin
24	35165	+ *Gasket-Metering Diaphragm
25	35014	+ *Diaphragm-Metering
26	35003	Cover-Metering Diaphragm
27	35021	Screw Assembly-Metering Cover
28	35161	Kit - Carb. Repair (Includes parts marked *)
29	35173	Kit - Carb. Gasket/Diaphragm (Includes parts marked †)



B. Chain Brake Assembly — #69201



Ref. No.	Part No.	Qty.	Description
30	15321	1	Screw
31	15123	1	Washer
32	31094	1	Scrench
—	15445	1	Nut - Bar Mounting (Not Shown)
—	26919	1	Decal - Bar Clamp (Not Shown)

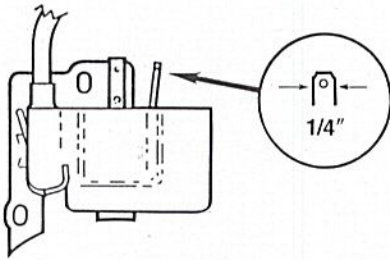
- ↙ = Part Change
- ★★★★ = Service Reference
- ◇ = New Part No.

PARTS LIST NO. 66069-9/1/87		POULAN® PARTS LIST	CHAIN SAW MODELS: 1800-2000
PAGE 4 of 4	REPLACES 66069-4/1/87		
NOTE: Illustrations may differ from actual models due to design changes.			

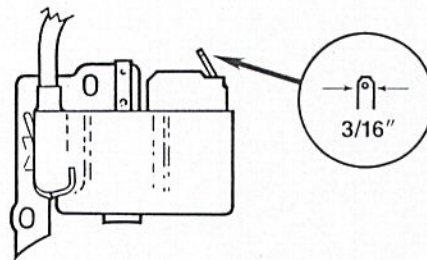
SERVICE REFERENCES

1. Lead-Switch — page 2.

Determine whether the ignition module requires a lead with a 3/16" or a 1/4" flag terminal by measuring the width of the tab on the module. For a lead with a 1/4" flag terminal, order Part No. 39116. For a lead with a 3/16" flag terminal, order Part No. 24158



Order Lead #39116



Order Lead #24158

2. Kit - Clutch Assembly (Part No. 69193) — Page 1.

Clutch Tool, Part No. 31112 must be used to remove the current style clutch (Clutch Assembly Kit, Part No. 69193) to avoid damage to the clutch. Do not use a punch or hammer or strike the clutch with any instrument. Clutch Tool, Part No. 31085 should be used to remove the earlier style clutch.



**USE
CLUTCH TOOL
#31112**

CURRENT STYLE CLUTCH
#69193



**USE
CLUTCH TOOL
#31085**

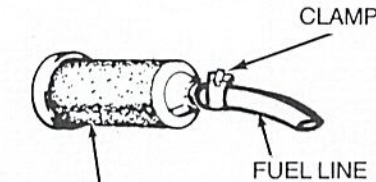
PREVIOUS STYLE CLUTCH

3. Kit - Fan Housing Screws — page 1 & 2.

When replacing one of the old style slotted head fan housing screws, it is recommended that all Fan Housing Screw Kit, Part No. 69199 be used and all fan housing screws be replaced with the allen head screws in the kit. Some units may not accept Screw, Part No. 15650. (Key No. 43, page 2). Discard this screw if not needed.

4. Fuel Pick-up Assembly — page 2.

A large number of units were built with Fuel Pick-Up Assembly, Part No. 10700 plus a small clamp. The clamp is not servicable. If the clamp requires replacement, use Tie Strap, Part No. 24675. Install fuel line on pick-up assembly, then install tie strap. Pull tie strap until tight. When servicing a unit with Fuel Pick-up Assembly, Part No. 91878, the clamp is not required.



**FUEL PICK-UP
ASSEMBLY #10700**