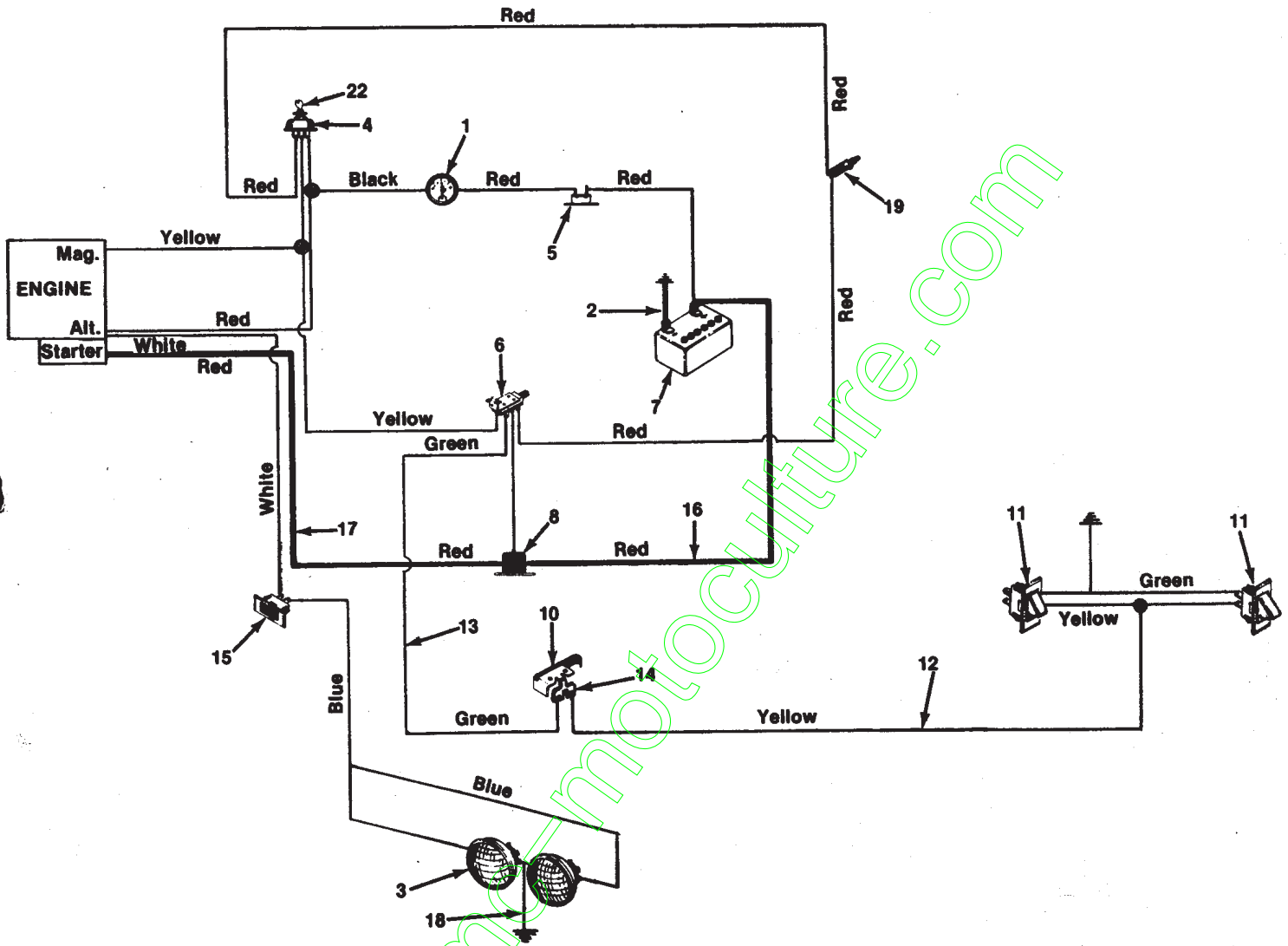


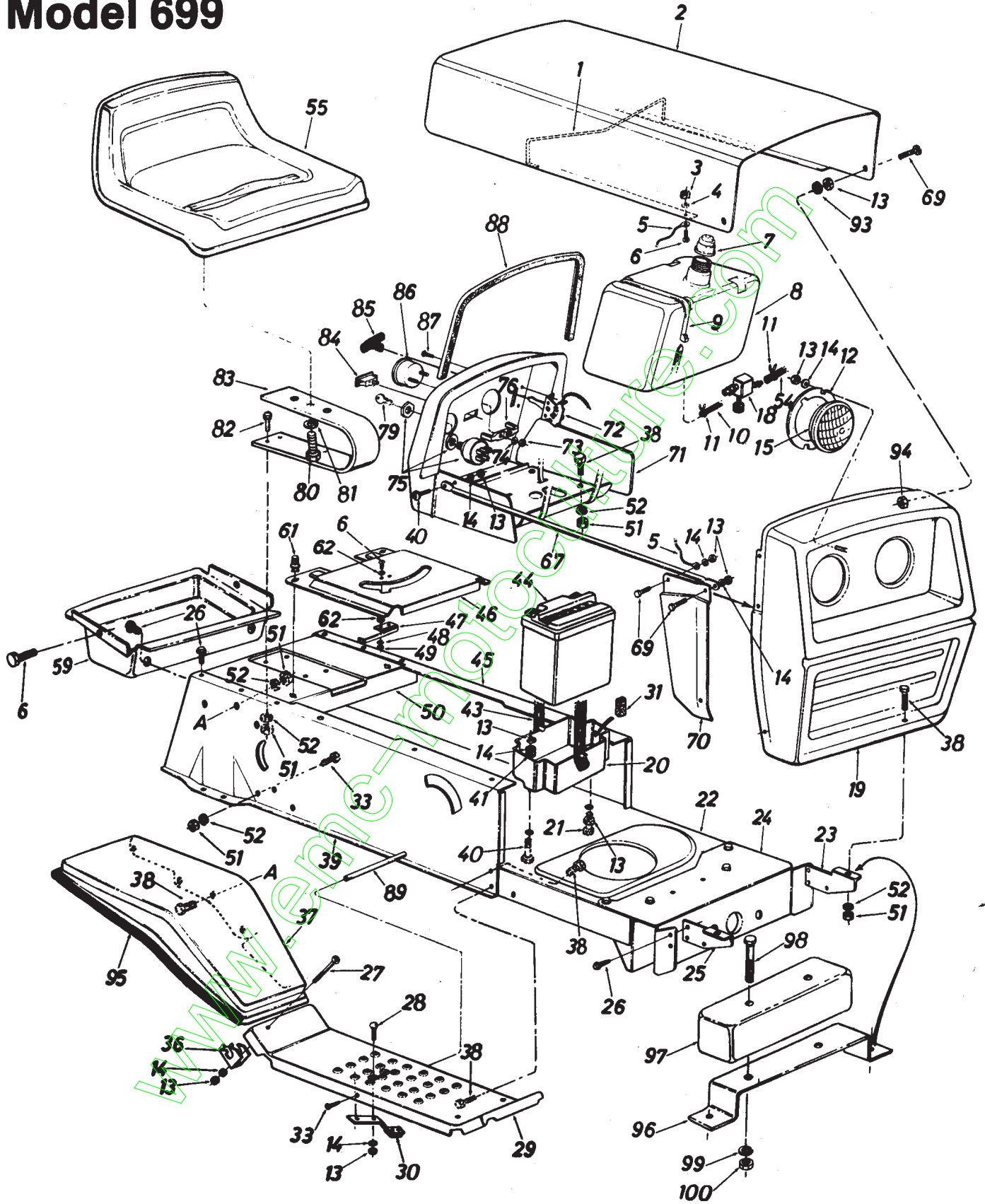
# Model 699



**PARTS LIST FOR ELECTRICAL SYSTEM  
MODEL 699 LAWN TRACTOR**

REF. NO.	PART NO.	DESCRIPTION	Qty. Req'd.	REF. NO.	PART NO.	DESCRIPTION	Qty. Req'd.
1	725-0119	Ammeter	1	13	725-0807	Wire Harness	1
2	725-0150	Battery Ground Wire	1	14	725-0617	Tab Adapter	1
3	725-0222	Headlights	2	15	725-0634	Headlight Switch	1
4	725-0267	Key Switch	1	16	725-0221	Electric Wire	1
5	725-0459	Circuit Breaker	1	17	725-0562	Electric Wire	1
6	725-0819	Safety Switch	1	18	725-0916	Headlight Ground	1
7	725-0514	Battery	1	19	725-0577	Safety Switch	1
8	725-0771	Solenoid	1	20	726-0222	Insulator Nut Plate (Not Shown)	1
9	725-0662	Battery Boot (Not Shown)	1	21	710-0227	Hex Wash Hd. Tap Scr. #8 x 1/2 (Not Shown)	2
10	725-0759	Spring Switch	1	22	725-0201	Ignition Key	2
11	725-0713	Safety Switch	2				
12	725-0881	Wire Harness for Rear Bag	1				

# Model 699



# Model 699

## PARTS LIST FOR MODEL 699 LAWN TRACTOR

REF. NO.	PART NO.	COLOR CODE	DESCRIPTION	NEW PART	REF. NO.	PART NO.	COLOR CODE	DESCRIPTION	NEW PART
1	732-0414		Hood Spring		48	736-0147		Ext. L-Wash. #10-24 Thd.*	
2	14665	-447	Hood		49	712-0121		Hex Nut #10-24 Thd.*	
3	712-0272		Hex Sems Nut #10-24 Thd.*		50	14607		Hitch Plate	
4	736-0463		Fl-Wash. .281" I.D. x .62" O.D. x .051		51	712-0267		Hex Nut 5/16-18 Thd.*	
5	723-0302		Hood Stop 7" Lg.		52	736-0119		L-Wash. 5/16" I.D.*	
6	710-0473		Truss Hd. Scr. #10-24 x 1/2" Lg.*		54	751-0173-12		Fuel Line 12" Lg.	
7	723-0155		Fuel Cap Gauge		55	757-0299		Seat Ass'y.	
8	751-0172		Fuel Tank		59	731-0561		Tool Tray	
9	726-0153		Tie Strap		61	726-0151		Fastener	
10	751-0173-4		Fuel Line 4" Lg.		62	736-0338		Fiber Wash.	
11	726-0207		Hose Clamp		67	749-0517		Grille Support Rod (R.H. & L.H.)	
12	09960		Headlight Retainer		69	710-0255		Truss Hd. Scr. 1/4-20 x .75" Lg.*	
13	712-0287		Hex Nut 1/4-20 Thd.*		70	14748		R.H.—Grille Side Panel	
14	736-0329		L-Wash. 1/4" I.D.*			14749		L.H.—Grille Side Panel	
15	725-0222		Headlight		71	14620		Dash Panel Ass'y.	
18	751-0349		Fuel Shut-Off Valve		72	746-0470		Throttle Control Ass'y.	
19	14781		Grille Ass'y. (Painted)		73	—		Part of Ref. No. 86	
	14674		Grille Ass'y. (Chrome)		74	—		Part of Ref. No. 86	
20	731-0534		Battery Box		75	725-0267		Ignition Switch	
21	710-0102		Hex Bolt 1/4-20 x 2.50" Lg.*		76	—		Part of Ref. No. 86	
22	14606		Lower Frame		79	725-0201		Ignition Key	
23	13863		Grille Mount Brkt.—L.H.		80	710-0493		Hex Bolt 1/2-13 x 1.00" Lg. (2-Req'd.)	
24	14619		Front Pivot Brkt.		81	736-0921		L-Wash. 1/2" I.D.*	
25	13862		Grille Mount Brkt.—R.H.		82	710-0376		Hex Bolt 5/16-18 x 1.00" Lg.*	
26	710-0726		Hex Wash. Hd. AB-Tap Scr. 5/16 x .75" Lg.		83	732-0354		Seat Spring	
27	710-0524		Truss Hd. Scr. 1/4-20 x 1.75" Lg.*		84	725-0634		Light Switch	
28	710-0134		Carriage Bolt 1/4-20 x .62" Lg.*		85	722-0111		Throttle Control Knob	
29	14604		Running Board (R.H. & L.H.)		86	725-0119		Ammeter	
30	<del>761-0166</del>		Blade Brake Ass'y.		87	710-0351		Truss Hd. Phil. Scr. #10 x .50" Lg.	
31	722-0135		Foam Strip		88	731-0511		Molding Strip 27" Lg.	
33	710-0323		Truss Mach. Scr. 5/16-18 x .75" Lg.*		89	738-0526		Running Board Rod	
36	14671		Fender Clamp		93	735-0144		Rubber Wash. 1/2" I.D. x 1.0 O.D. x .25"	
37	15350		Fender (R.H. & L.H.)	N	94	712-0324		Hex Sems Ins. L-Nut 1/4-20 Thd.	
38	710-0118		Hex Bolt 5/16-18 x .75" Lg.*		95	731-0511		Trim Strip	
39	14602		R.H. Side Frame		96	15712		Counterweight Brkt.	
40	710-0258		Hex Bolt 1/4-20 x .62" Lg.*		97	723-0367		Counterweight—38#	
41	736-0173		Fl-Wash. .281 I.D. x .75" O.D.			719-0243		Cast Counterweight—35# (Optional)	
43	735-0204		Battery Hold Down		98	710-0316		Hex Bolt 3/8-16 x 3.50" Lg.*	
44	725-0514		12-V Battery		99	736-0169		L-Wash. 3/8" I.D.*	
45	14603		L.H. Side Frame		100	712-0798		Hex Nut 3/8-16 Thd.*	
46	14618		Transmission Panel						
47	725-0759		Reverse Safety Switch						

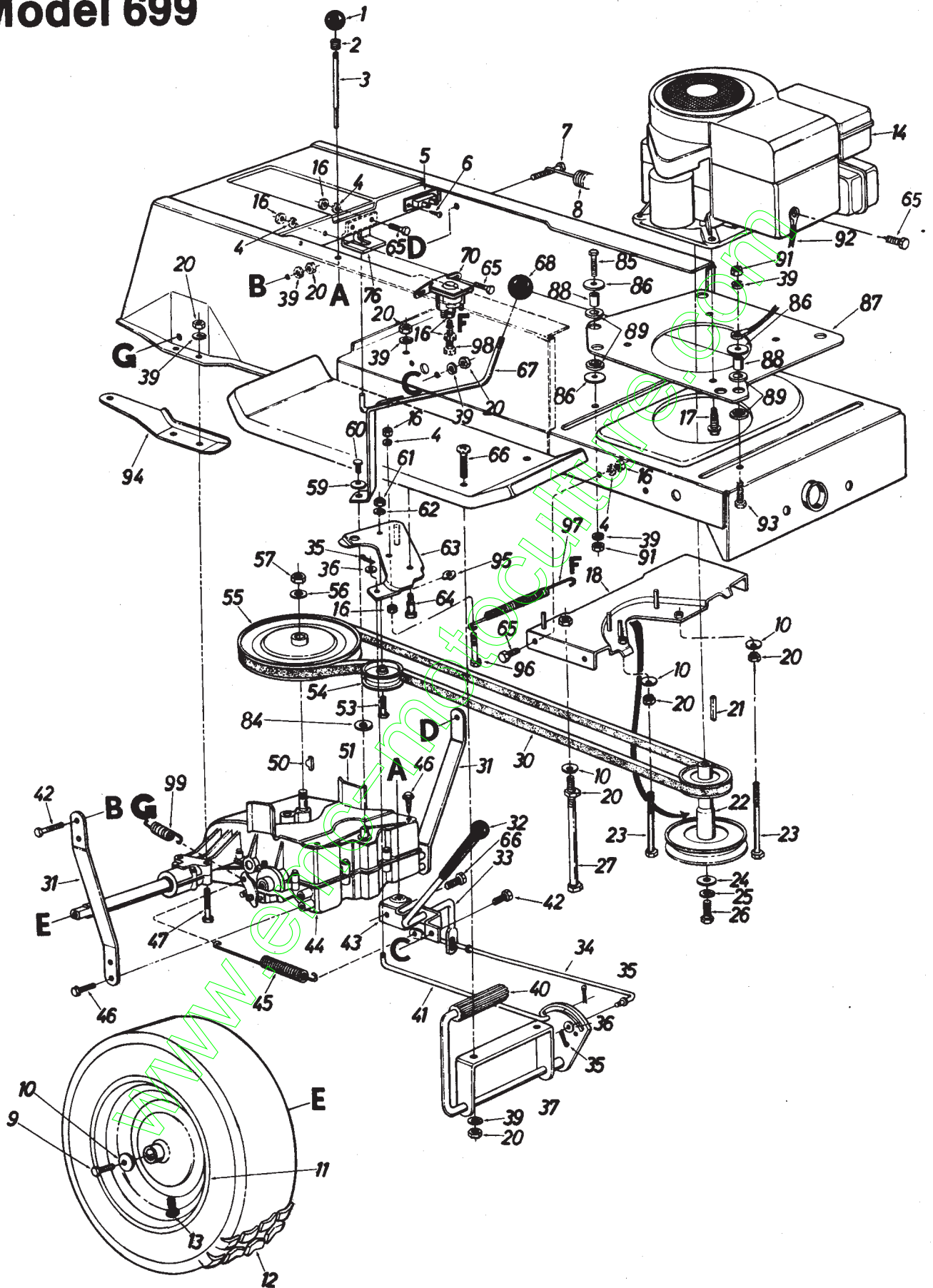
\*For faster service obtain standard nuts, bolts and washers locally. If these items cannot be obtained locally, order by part number and size as shown on parts list.

30 761-0169

(462—Red Flake)  
(447—Patina Silver)

When ordering parts, if color or finish is important use the appropriate color code shown above. (e.g. Red Flake Finish—11836 (462).)

# Model 699



# Model 699

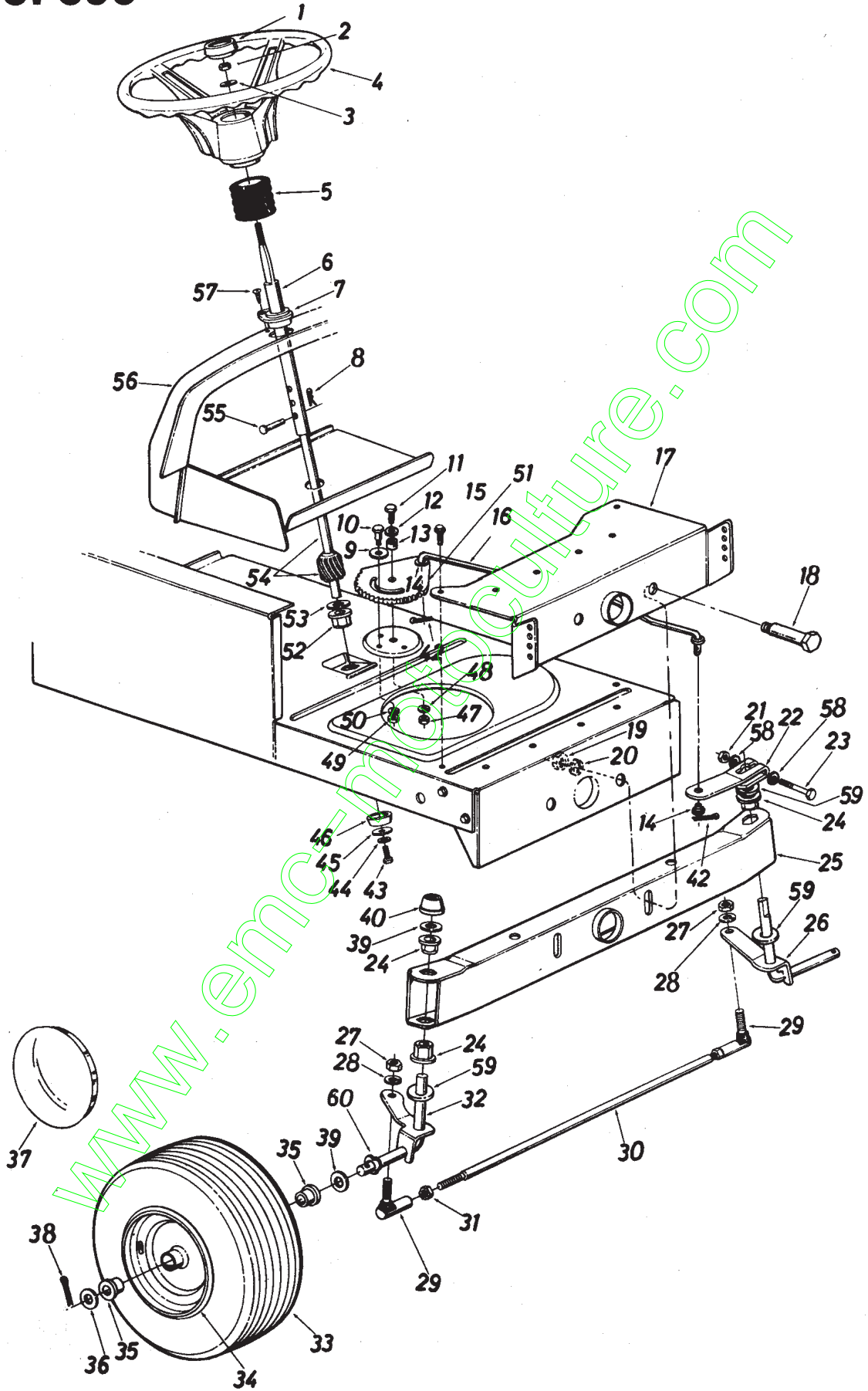
## PARTS LIST FOR MODEL 699 LAWN TRACTOR

REF. NO.	PART NO.	COLOR CODE	DESCRIPTION	NEW PART	REF. NO.	PART NO.	COLOR CODE	DESCRIPTION	NEW PART
1	720-0187		Ball Knob 1.25" O.D. x 1/4-20 Thd.		45	732-0413		Ext. Spring .590" O.D. x 7.08" Lg.	
2	732-0145		Compression Spring .30" O.D. x 1.00" Lg.		46	710-0604		Hex Wash. Hd. AB-Tap Scr. 5/16 x .62" Lg.	
3	711-0742		Brake Lockout Rod		47	710-0378		Hex Bolt 5/16-18 x 2.50" Lg.*	
4	736-0329		L-Wash. 1/4" I.D.*		50	714-0129		#4 Hi-Pro Key 3/32 x 5/8" Dia.	
5	725-0459		Circuit Breaker		51	14631		Transaxle Belt Keeper	
6	710-0351		Truss Hd. Phil. Scr. #10 x 1/2" Lg.		53	710-0344		Hex Bolt 3/8-16 x 1.50" Lg.*	
7	710-0528		Hex Bolt 5/16-18 x 1.25" Lg.		54	756-0225		Flat Idler Pulley 3/8" I.D. x 2.75" O.D.	
8	732-0307		Ext. Spring .99" O.D. x 11.00" Lg.		55	756-0374		Transaxle Pulley	
9	710-0627		Hex Bolt 5/16-24 x .75" Lg.*		56	736-0921		L-Wash. 1/2" I.D.*	
10	736-0242		Bell-Wash. 5/16" I.D.		57	712-0922		Hex Nut 1/2-20 Thd.*	
11	**		Rear Wheel Rim Only		59	736-0270		Bell-Wash. .26" I.D. x .75" O.D.	
12	**		Rear Wheel Ass'y. Comp.		60	710-0513		Hex Bolt 1/4-28 x .62" Lg.	
13	734-0255		Air Valve (Service Only)		61	712-0798		Hex Nut 3/8-16 Thd.*	
14	—		Engine		62	736-0169		L-Wash. 3/8" I.D.*	
15	<del>734-0542</del>		<del>Rear Wheel Hub Cap</del>		63	14656		Idler Brkt. Ass'y.	
16	712-0287		Hex Nut 1/4-20 Thd.*		64	738-0140		Shld. Scr. .437" Dia. x 1.80" Lg. (5/16-18)	
17	710-0502		Hex Self-Tap Scr. 3/8-16 x 1.25" Lg.		65	710-0258		Hex Bolt 1/4-20 x .62" Lg.*	
18	14643		Belt Guard Brkt. Ass'y.		66	710-0323		Truss Hd. Mach. 5/16-18 x .75" Lg.*	
20	712-0267		Hex Nut 5/16-18 Thd.*		67	14627		Shift Lever Ass'y.	
21	714-0114		Sq. Key 1/4" x 1/4" x 2.00" Lg.		68	720-0165		Ball Knob 1.25" O.D. x 3/8-16 Thd.	
22	756-0373		Two Step Engine Pulley		70	725-0771		Solenoid	
23	710-0833		Hex Bolt 5/16-18 x 5.25" Lg.		76	14630		Shift Lever Pivot Brkt.	
24	736-0322		Fl-Wash. 7/16" I.D. x 1.25" O.D. x .180		84	717-0234		Special Wash. 1.00" O.D.	
25	736-0171		L-Wash. 7/16" I.D.*		85	710-0158		Hex Bolt 5/16-24 x 1.25" Lg.*	
26	710-0757		Hex Bolt 7/16-20 x 1.50" Lg.		86	736-0343		Fl-Wash. 1.25" O.D. x .320" I.D.	
27	710-0833		Hex Bolt 5/16-18 x 5.25" Lg.*		87	14791		Engine Mounting Plate	
30	754-0266		"V"-Belt "A" Glass 85" Lg. Bare Back		88	750-0539		Spacer	
31	14653		Transaxle Brace		89	722-0153		Engine Mounting Grommet	
32	720-0143		Grip (Hand Brake)		91	712-0123		Hex Nut 5/16-24 Thd.*	
33	747-0386		Hill Holder Brake Handle		92	725-0122		Electric Ground Wire	
34	747-0385		Brake Rod		93	710-0624		Hex Bolt 5/16-24 x 1.50" Lg.*	
35	714-0111		Cotter Pin 3/32" Dia. x 1.00" Lg.*		94	14770		Transaxle Support Brkt.— R.H.	
36	736-0204		Fl-Wash. .344" I.D. x .625" O.D.			14769		Transaxle Support Brkt.— L.H. (Not Shown)	
37	14623		Brake and Clutch Pedal Ass'y.		95	736-0141		Wave Wash.	
39	736-0119		L-Wash. 5/16" I.D.*		96	710-0102		Hex Bolt 1/4-20 x 2.50" Lg.*	
40	735-0196		Foot Pedal Pad		97	732-0384		Ext. Spring	
41	747-0390		Clutch Rod		98	710-0102		Hex Bolt 1/4-20 x 2.50" Lg.*	
42	710-0118		Hex Bolt 5/16-18 x .75" Lg.*		99	732-0303		Brake Return Spring	
43	14634		Brake Lock and Handle Support Brkt.						
44	—		Transaxle Complete						

### \*\*REAR WHEEL CHART

Description	Part No.
Wheel Assembly Comp.	734-1132
Tire Only	734-0294
Rim Only	734-1133

# Model 699



# Model 699

## PARTS LIST FOR MODEL 699 LAWN TRACTOR

REF. NO.	PART NO.	COLOR CODE	DESCRIPTION	NEW PART	REF. NO.	PART NO.	COLOR CODE	DESCRIPTION	NEW PART
1	731-0220		Steering Wheel Cap		31	712-0711		Hex Jam Nut 3/8-24 Thd.*	
2	712-0267		Hex Nut 5/16-18 Thd.*		32	14650		Front Axle Ass'y.—R.H.	
3	736-0242		Belleville Wash. .345" I.D.		33	**		Wheel Ass'y. Comp.	
4	731-0356		Steering Wheel		34	**		Front Wheel Rim Only	
5	731-0559		Steering Column Bellow		35	741-0313		Bearing	
6	14775		Steering Column Ass'y.		36	736-0285		FI-Wash. .635 I.D. x 1.59" O.D.	
7	741-0356		Flange Bearing .890 I.D. x 1.36 O.D.		37	734-0541		Front Wheel Hub Cap (Chrome)	
8	714-0147		Internal Cotter Pin 1/4" Dia.		38	714-0470		Cotter Pin 1/8" Dia. x 1.25" Lg.	
9	736-0319		FI-Wash. .438" I.D. x 1.37" O.D.		39	736-0156		FI-Wash. .635" I.D. x 1.20" O.D.	
10	738-0141		Shoulder Bolt .437" Dia. x .35 Lg. 5/16-18 Thd.		40	726-0214		Push Cap 5/8" Dia. Rod	
11	710-0152		Hex Bolt 3/8-24 x 1.0" Lg. (Grade 5)		42	714-0115		Cotter Pin 1/8" Dia. x 1.00" Lg.	
12	736-0206		FI-Wash. .38" I.D. x 1.0" O.D.		43	710-0538		Hex L-Bolt 5/16-18 x .62" Lg.*	
13	750-0535		Spacer .380" I.D. x .625" O.D. x .227		44	736-0119		L-Wash. 5/16" I.D.*	
14	731-0658		Bushing		45	736-0231		FI-Wash. .344" I.D. x 1.25" O.D.	
15	710-0726		Hex Wash. Hd. Self-Tap Scr.		46	750-0532		Spacer (Plastic)	
16	711-0691		Steering Drag Link		47	712-0241		Hex Nut 3/8-24 Thd.*	
17	14619		Front Pivot Brkt.		48	736-0169		L-Wash. 3/8" I.D.*	
18	738-0527		Shoulder Bolt .498" Dia. x 2.04 Lg. 3/8-16 Thd.		49	712-0267		Hex Nut 5/16-18 Thd.*	
19	712-0798		Hex Nut 3/8-16 Thd.*		50	736-0119		L-Wash. 5/16" I.D.*	
20	736-0169		L-Wash. 3/8" I.D.*		51	717-0468		Steering Gear Segment	
21	712-0237		Hex Cent. L-Nut 5/16-24 Thd.		52	741-0225		Hex Fig. Brg. .634 I.D.	
22	14611		Steering Arm Front Axle		53	736-0187		FI-Wash. (Hardened)	
23	710-0772		Hex Bolt 5/16-24 x 2.00" Lg. (Grade 5)		54	738-0522		Steering Shaft Lower	
24	741-0225		Hex Fig. Brg. .634 I.D.		55	711-0684		Clevis Pin 1/4" Dia. x 1.00" Lg.	
25	14608		Pivot Bar Ass'y.		56	14620		Dash Panel Ass'y.	
26	14649		Front Axle Ass'y.—L.H.		57	710-0837		Oval Hd. Cr.—Sunk Scr. #10 x 5/8" Lg.	
27	712-0241		Hex Nut 3/8-24 Thd.*		58	736-0242		Bell-Wash.	
28	736-0169		L-Wash. 3/8" I.D.*		59	736-0187		FI-Wash. (Hardened)	
29	723-0156		Ball Joint 3/8-24 Thd.		60	736-0174		Wave Wash.	
30	711-0613		Tie Rod						

\*For faster service obtain standard nuts, bolts and washers locally. If these items cannot be obtained locally, order by part number and size as shown on parts list.

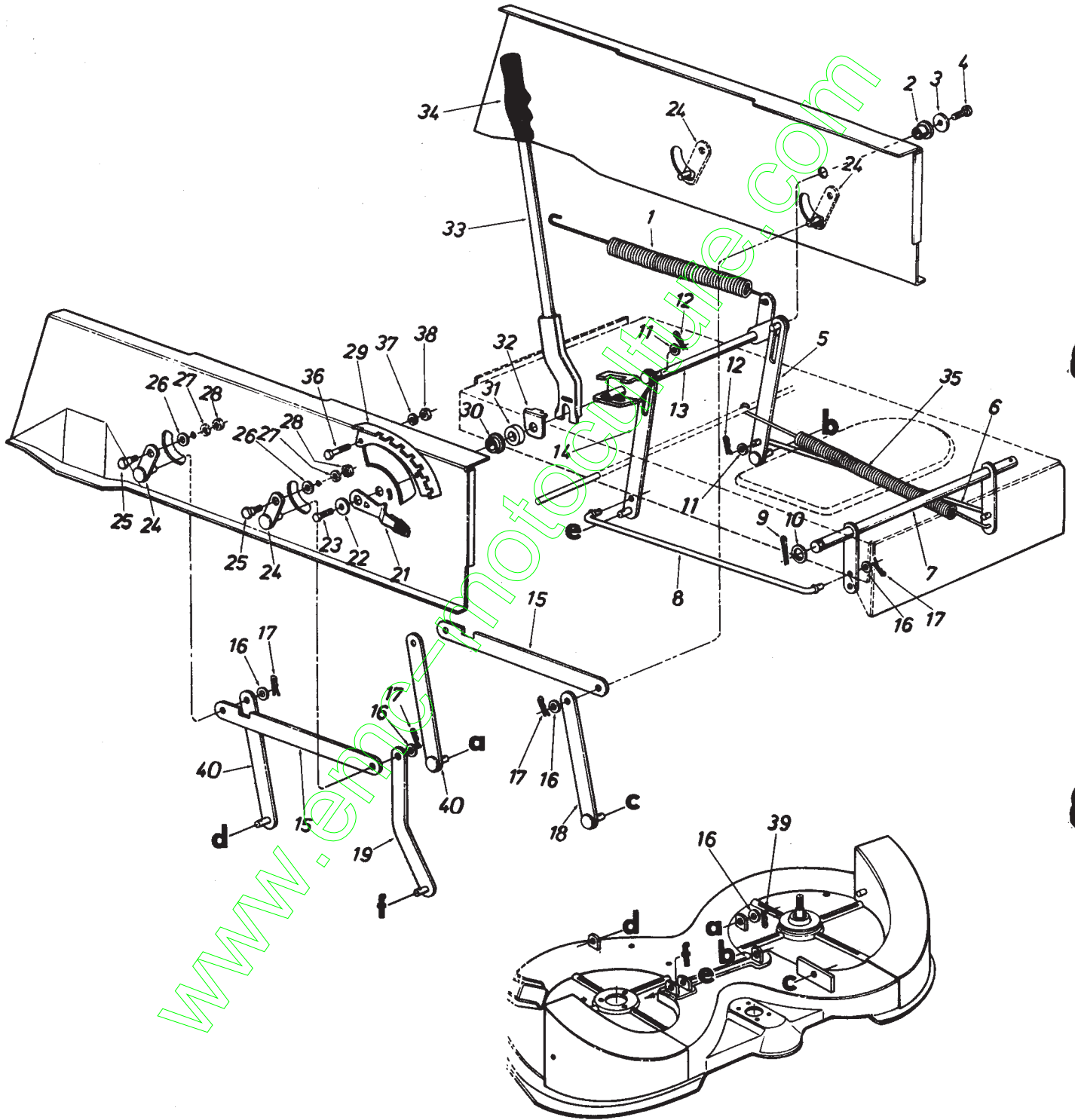
(462—Red Flake)

When ordering parts, if color or finish is important use the appropriate color code shown above. (e.g. Red Flake Finish—11836 (462).)

### \*\*FRONT WHEEL CHART

Description	Part No.
Wheel Assembly Comp.	734-0998
Tire Only	734-0498
Rim Only	734-0997
Bearing	741-0313
Air Valve	734-0255

# Model 699





# Model 699

## PARTS LIST FOR MODEL 699 LAWN TRACTOR

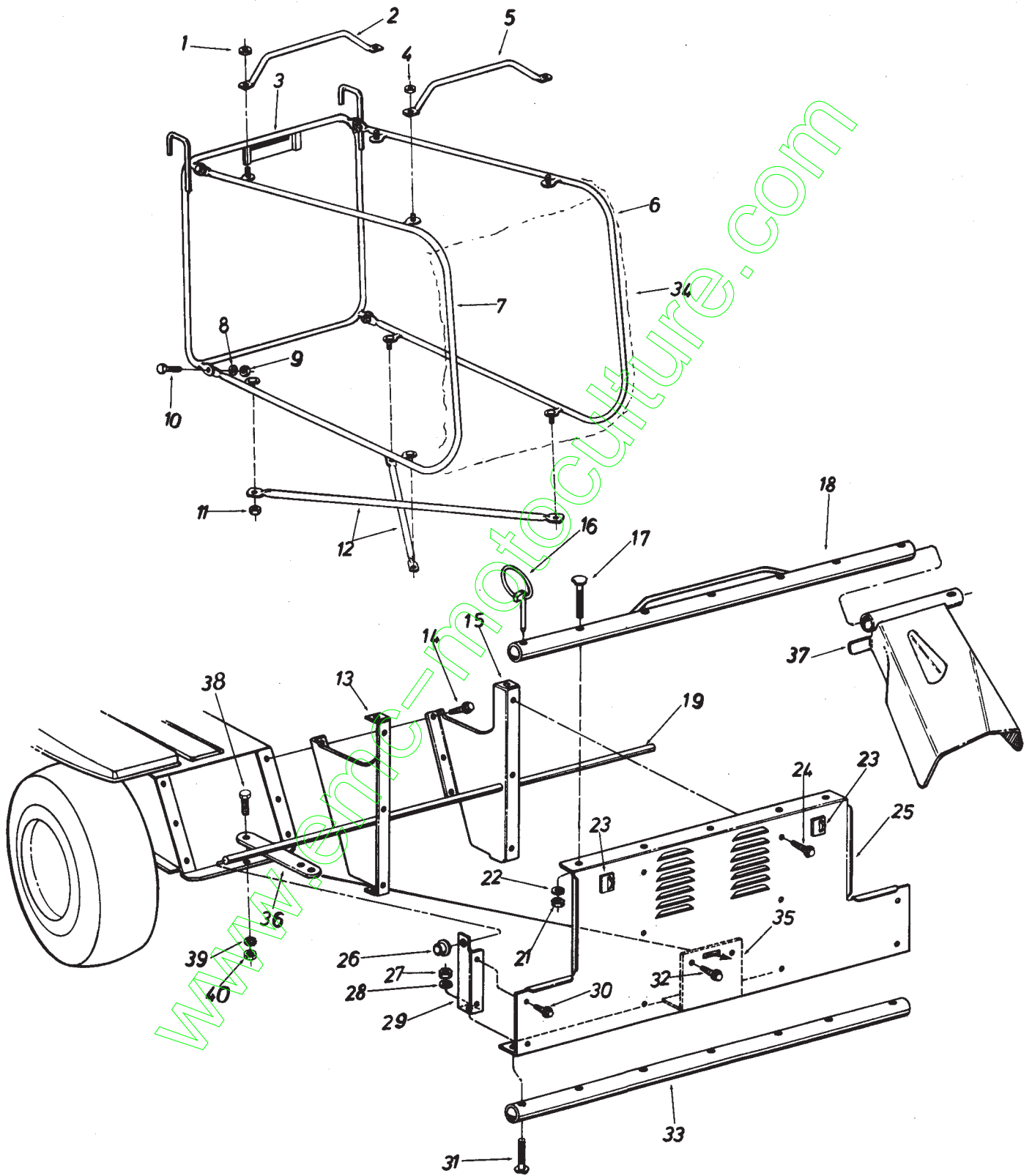
REF. NO.	PART NO.	COLOR CODE	DESCRIPTION	NEW PART	REF. NO.	PART NO.	COLOR CODE	DESCRIPTION	NEW PART
1	732-0307		Extension Spring .99" O.D. x 11.00" Lg.		22	736-0231		FI-Wash. .344" I.D. x 1.125" O.D. x .125	
2	741-0313		Flange Bearing .634" I.D.		23	710-0604		Hex Wash. Hd. Self-Tap Scr. 5/16-18 x .62" Lg.	
3	736-0231		FI-Wash. .344" I.D. x 1.125" O.D. x .125		24	09721		Pivot Link Ass'y.	
4	710-0604		Hex Wash. Hd. Self-Tap Scr. 5/16-18 x .62" Lg.		25	738-0140		Shld. Bolt .437" Dia. x .180" Lg. (5/16-18)	
5	14802		Link Deck Lift Ass'y.		26	736-0264		FI-Wash. .344" I.D. x .62" O.D.	
6	711-0738		Stabilizer Rod		27	736-0119		L-Wash. 5/16" I.D.*	
7	14647		Stabilizer Shaft Ass'y.		28	712-0267		Hex Nut 5/16-18 Thd.*	
8	711-0738		Stabilizer Rod		29	14633		Index Brkt.	
9	714-0470		Cotter Pin 1/8" Dia. x 1 1/4" Lg.*		30	736-0341		Flange Wash. .628" I.D. x 1.25" O.D.	
10	736-0156		FI-Wash. .635" I.D. x 1.12" O.D.		31	735-0216		Rubber Wash. 1.50" O.D. x .63" I.D. x .60	
11	736-0192		FI-Wash. .531" I.D. x .940" O.D.		32	14654		Retainer Washer—Lift Handle	
12	714-0101		Inter. Cotter Pin .50" Dia.		33	14645		Lift Handle Ass'y.	
13	14641		Lift Shaft Ass'y.		34	720-0157		Grip (Lift Handle)	
14	14802		Link Deck Lift Ass'y.		35	732-0410		Extension Spring .99" O.D. x 13.25" Lg.	
15	09735		Connecting Rod		36	710-0118		Hex Bolt 5/16-18 x .75" Lg.*	
16	736-0192		FI-Wash. .531" I.D. x .940" O.D.		37	736-0119		L-Wash. 5/16" I.D.*	
17	714-0104		Inter. Cotter Pin For 3/8" Rod		38	712-0267		Hex Nut 5/16-18 Thd.*	
18	14804		Link Deck Hanger Ass'y.		39	714-0101		Inter. Cotter Pin	
19	14800		Link Deck Hanger Ass'y. (Dog Leg)		40	15373		Link Deck Hanger Ass'y.	N
21	732-0412		Deck Lift—Down Stop						

(462—Red Flake)

\*For faster service obtain standard nuts, bolts and washers locally. If these items cannot be obtained locally, order by part number and size as shown on parts list.

When ordering parts, if color or finish is important use the appropriate color code shown above. (e.g. Red Flake Finish—11836 (462).)

# Model 699



# Môdel 699

## PARTS LIST FOR MODEL 699 LAWN TRACTOR

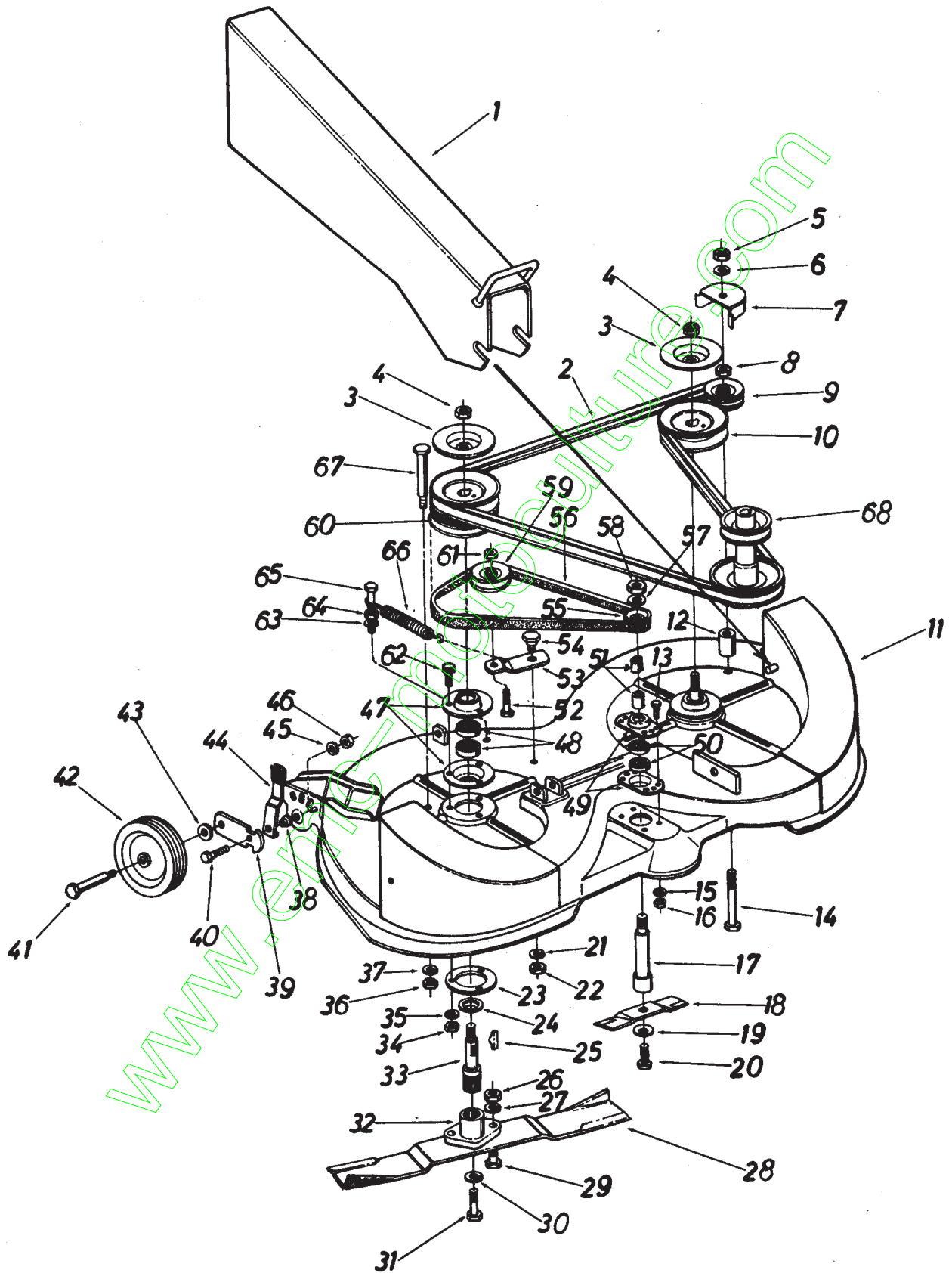
REF. NO.	PART NO.	COLOR CODE	DESCRIPTION	NEW PART	REF. NO.	PART NO.	COLOR CODE	DESCRIPTION	NEW PART
1	712-0107		Hex Cent. L-Nut 1/4-20 Thd.		23	725-0713		Safety Switch	
2	749-0574		Grass Catcher Handle	N	24	710-0599		Hex Wash. Hd. Self-Tap Scr. 1/4-20 x .50" Lg.	
3	15370		Grass Catcher Frame Ass'y	N	25	15369		Grass Catcher Adapter	N
4	712-0107		Hex Cent. L-Nut 1/4-20 Thd.		26	726-0221		Cap Speed Nut 1/2" Rod	
5	749-0574		Grass Catcher Handle	N	27	712-0267		Hex Nut 5/16-18 Thd.*	
6	12890		Catcher Side Frame Ass'y. —R.H.		28	736-0119		L-Wash. 5/16" I.D.*	
7	12889		Catcher Side Frame Ass'y. —L.H.		29	15361		Chute Extension Support Brkt.—L.H.	N
8	736-0329		L-Wash. 1/4" I.D.*			15362		Chute Extension Support Brkt.—R.H. (Not Shown)	N
9	712-0107		Hex Cent. L-Nut 1/4-20 Thd.		30	710-0599		Hex Wash. Hd. Self-Tap Scr. 1/4-20 x .50" Lg.	
10	710-0258		Hex Bolt 1/4-20 x .62" Lg.*		31	710-0405		Curved Carr. Bolt 5/16-18 x 1.75" Lg.	
11	712-0287		Hex Nut 1/4-20 Thd.*		32	710-0599		Hex Wash. Hd. Self-Tap Scr. 1/4-20 x .50" Lg.	
12	749-0573		Bottom Cross Brace	N	33	749-0584		Tubing 1.00" I.D. x 40.25"	N
13	15363		Grass Catcher Support Brkt. —L.H.	N	34	764-0198		Grass Catcher Bag	N
14	710-0726		Hex Wash. Hd. Self-Tap Scr. 5/16-18 x .75" Lg.		35	15459		Hitch Bracket	N
15	15364		Grass Catcher Support Brkt. —R.H.	N	36	05400		Hitch Plate	
16	714-0143		Klick Pin		37	15366		Chute Deflector Ass'y.— R.H.	N
17	710-0405		Curved Carr. Bolt 5/16-18 x 1.75" Lg.			15365		Chute Deflector Ass'y.— L.H. (Not Shown)	N
18	15711		Grass Catcher Support Tube Ass'y.	N	38	710-0493		Hex Bolt 1/2-20 x 1.0" Lg.	
19	749-0576		Tubing .38" I.D. x 39.75" Lg.	N	39	736-0921		L-Wash. 1/2" I.D.	
21	712-0267		Hex Nut 5/16-18 Thd.*		40	712-0922		Hex Jam Nut 1/2-20 Thd.	
22	736-0119		L-Wash. 5/16" I.D.*						

(462—Red Flake)

\*For faster service obtain standard nuts, bolts and washers locally. If these items cannot be obtained locally, order by part number and size as shown on parts list.

When ordering parts, if color or finish is important use the appropriate color code shown above. (e.g. Red Flake Finish—11836 (462).)

# Model 699



# Model 699

## PARTS LIST FOR MODEL 699 LAWN TRACTOR

REF. NO.	PART NO.	COLOR CODE	DESCRIPTION	NEW PART	REF. NO.	PART NO.	COLOR CODE	DESCRIPTION	NEW PART
1	15707		Chute Extension Ass'y.	N	38	748-0279		Shld. Spacer .500" Dia. x .314	
2	754-0270		"V"-Belt 1/2 x 84.0" Lg.	N				Pivot Bar	
3	09322		Brake Disc		39	10937		Hex Bolt 3/8-16 x 1.00" Lg.*	
4	712-0261		Hex Cent. L-Nut 5/8-11 Thd.		40	710-0253		Shld. Bolt .498" Dia. x 1.53" Lg.	
5	712-0798		Hex Nut 3/8-16 Thd.*		41	738-0373		Cutting Deck Wheel	
6	736-0169		L-Wash. 3/8" I.D.*		42	734-0973		Bell-Wash. .40" I.D. x .88" O.D.	
7	15372		Idler Pulley Belt Guard		43	736-0105		Spring Lever Ass'y. w/Knob	
8	<del>712-0798</del>		<del>Hex Nut 3/8-16 Thd.*</del>		44	14082		Bell-Wash. .40" I.D. x 1.12" O.D.	
9	756-0399		5/8-V Belt Idler 3.50" O.D.		45	736-0219		Hex Top L-Jam Nut 3/8-16 Thd.	
10	756-0397		5/8-V Pulley—.628" I.D. x 5.25" O.D.	N	46	712-0181		Bearing Housing	
11	15348		40" Rear Discharge Deck	N	47	08253		Ball Bearing .787" I.D. x 1.85" O.D.	
12	750-0586		Spacer .40" I.D. x 1.25" O.D. x 1.59" Lg.		48	741-0919		Bearing Housing	N
13	710-0567		Hex Sems Bolt 1/4-28 x .62" Lg.		49	15319		Ball Bearing .63" I.D. x 1.38" O.D.	
14	710-0644		Hex Bolt 3/8-16 x 3.25" Lg.*		50	741-0155		<del>Spacer .63" I.D. x .88" O.D. x 1.25" Lg.</del>	
15	736-0329		L-Wash. 1/4" I.D.*		51	<del>756-0182</del>		Hex Bolt 3/8-16 x 1.25" Lg.*	N
16	712-0138		Hex Nut 1/4-28 Thd.*		52	710-0342		Idler Bracket	N
17	738-0557		Blade Spindle	N	53	15358		Shld. Bolt .625" Dia. x .170" Lg.	
18	742-0252		6.50" Blade	N	54	738-0281		3/8" V-Pulley .628" I.D. x 2.00" O.D.	
19	736-0105		Bell-Wash. .40" I.D. x .88" O.D.		55	756-0406		"V"-Belt 3/8 x 39.0" Lg.	N
20	710-0696		Hex Bolt 3/8-24 x .87" Lg.*		56	754-0271		<del>Flat Wash. .63" I.D. x 1.05" O.D.</del>	
21	736-0169		L-Wash. 3/8" I.D.*		57	<del>736-0156</del>		Hex Jam Nut 5/8-11 Thd.*	
22	712-0798		Hex Nut 3/8-16 Thd.*		58	712-0242		1/2" V-Belt Idler 2.625" O.D.	
23	09164		Plate—Deck Reinforcement		59	756-0166		Double Pulley	N
24	13703		Bearing Shield		60	756-0398		Hex Top L-Jam Nut 3/8-16 Thd.	
25	714-0365		#6 Hi-Pro Key 5/32 x 5/8" Dia.		61	712-0181		Hex Sems Bolt 5/16-18 x 1.00" Lg.*	
26	712-0123		Hex Nut 5/16-24 Thd.*		62	710-0322		L-Wash. 1/4" I.D.*	
27	736-0119		L-Wash. 5/16" I.D.*		63	736-0329		Hex Nut 1/4-20 Thd.*	
28	742-0254		20" High Lift Blade—R.H.	N	64	712-0287		Hex Bolt 1/4-20 x 1.00" Lg.*	
	742-0253		20" High Lift Blade—L.H. (Not Shown)	N	65	710-0597		Ext. Spring .50" O.D. x 3.97" Lg.	
29	710-0888		Hex Bolt 5/16-24 x 1.00" Lg. (Grade 5)	N	66	732-0429		Shld. Bolt .498" Dia. x 2.63" Lg.	
30	736-0217		L-Wash. 3/8" I.D. Heavy Duty		68	756-0373		Two Step Engine Pulley	
31	710-0459		Hex Bolt 3/8-24 x 1.50" Lg. (Grade 5)						
32	10769		Blade Adapter Kit						
33	738-0396		Blade Spindle						
34	712-0267		Hex Nut 5/16-18 Thd.*						
35	736-0119		L-Wash. 5/16" I.D.*						
36	712-0798		Hex Nut 3/8-16 Thd.*						
37	736-0169		L-Wash. 3/8" I.D.*						

⑧ 712-0342 Hex Jam Nut 3/8-16 Thd.

(462—Red Flake)

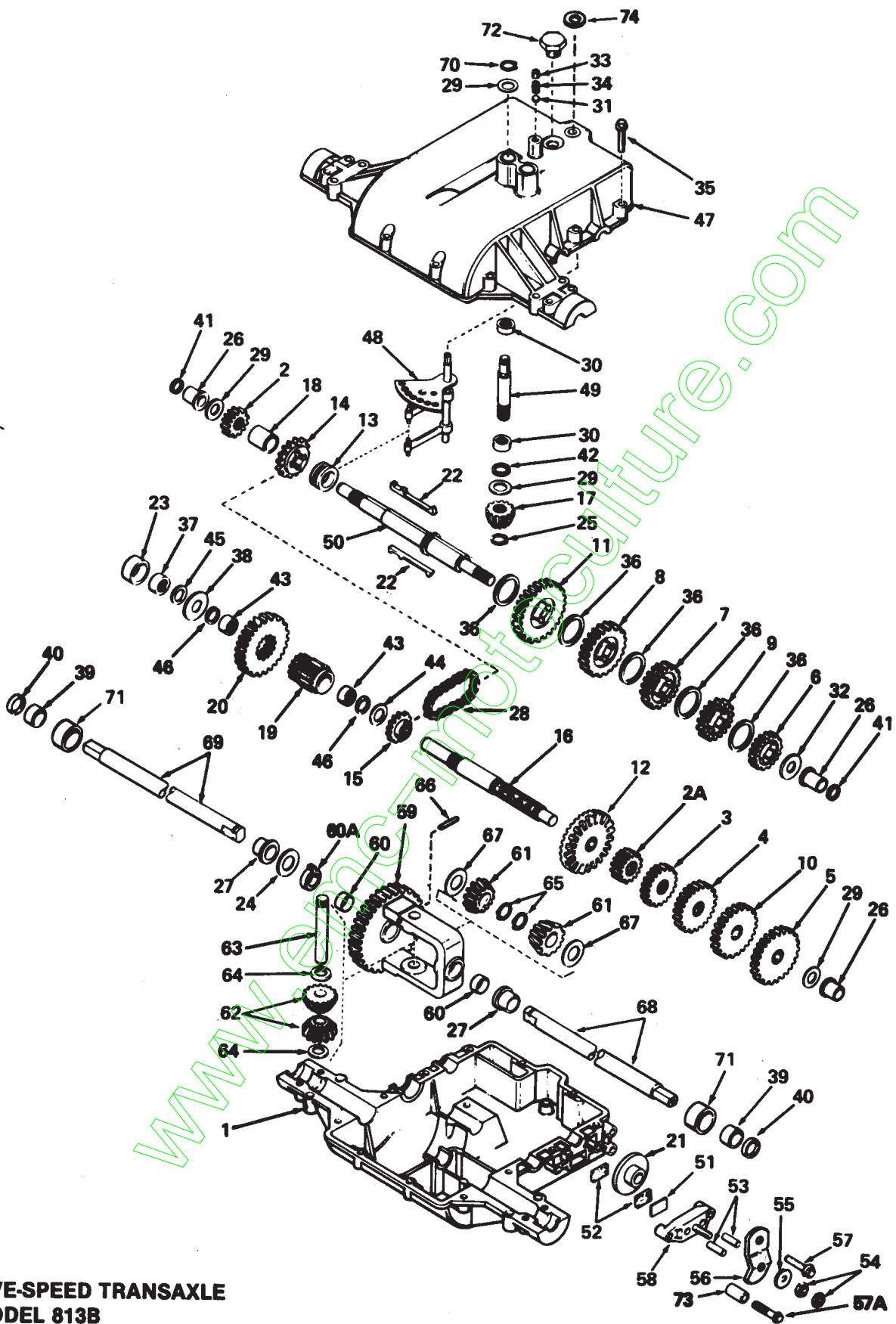
\*For faster service obtain standard nuts, bolts and washers locally. If these items cannot be obtained locally, order by part number and size as shown on parts list.

When ordering parts, if color or finish is important use the appropriate color code shown above. (e.g. Red Flake Finish—11836 (462).)

⑤① 748-0201 Spacer .63" I.D. x .88" O.D. x .56" Lg.

⑤⑦ 736-0317 Bell-Wash. .62" I.D. x 1.25" O.D.

# Model 699



**FIVE-SPEED TRANSAXLE  
MODEL 813B  
(717-0448)**

# Model 699

## PARTS LIST FOR FIVE-SPEED TRANSAXLE MODEL 813B (717-0448)

REF. NO.	PART NO.	DESCRIPTION	REF. NO.	PART NO.	DESCRIPTION
1	PE-770071A	Case, Transaxle	39	PE-530105	Bearing, Needle
2	PE-778136	Gear, Spur (15 Teeth)	40	PE-788042	Seal, Oil
2A	PE-778145	Gear, Spur (12 Teeth)	41	PE-788051	Ring, Square Cut
3	PE-778151	Gear, Spur (15 Teeth)	42	PE-792001	Ring, Square Cut
4	PE-778126A	Gear, Spur (20 Teeth)	43	PE-780112	Bearing, Needle
5	PE-778129A	Gear, Spur (30 Teeth)	44	PE-780114	Washer, Flat
6	PE-778121A	Gear, Spur (20 Teeth)	45	PE-788052	Ring, Square Cut
7	PE-778124A	Gear, Spur (30 Teeth)	46	PE-788053	Ring, Square Cut
8	PE-778125	Gear, Spur (35 Teeth)	47	PE-772077B	Cover, Transaxle
9	PE-778123A	Gear, Spur (25 Teeth)	48	PE-784290	Rod and Fork Ass'y., Shift
10	PE-778127A	Gear, Spur (25 Teeth)	49	PE-776140	Shaft, Input
11	PE-778146A	Gear, Spur (37 Teeth)	50	PE-776184A	Shaft, Brake
12	PE-778137A	Gear, Bevel (42 Teeth)	51	PE-790007	Plate, Brake Pad
13	PE-784266	Collar, Shift	52	PE-790006	Pad, Brake
14	PE-786083	Sprocket (18 Teeth)	53	PE-786026	Pin, Dowel
15	PE-786082	Sprocket (9 Teeth)	54	PE-792075	Lock Nut, 5/16-24
16	PE-776181	Shaft, Counter	55	PE-792076	Washer, Flat
17	PE-778113A	Bevel Pinion, Input	56	PE-790004	Lever, Brake
18	PE-786074	Spacer	57	PE-792073	Screw, Hex Hd. Thread Forming, 1/4-20 x 1-1/4
19	PE-778138	Pinion, Output	57A	PE-792085	Screw, Hex Hd. Thread Forming, 1/4-20 x 2-1/4
20	PE-778139	Gear, Output	58	PE-790005	Holder, Brake Pad
21	PE-790003	Disc, Brake	59	PE-778053A	Gear Ass'y., Differential (Incl. 2 of No. 60)
22	PE-792089A	Key	60	PE-780064	Bushing
23	PE-786075	Spacer	60A	PE-780120	Bushing
24	PE-780001	Washer	61	PE-778067	Gear, Bevel
25	PE-788040	Ring, Retaining	62	PE-778068	Pinion, Bevel
26	PE-780105A	Bushing, Flanged	63	PE-786034	Pin Drive
27	PE-780118	Bushing, Flanged	64	PE-780065	Washer, Thrust
28	PE-786081	Chain, Roller (No. 41 Chain, 24 Links)	65	PE-792018	Ring, Retaining
29	PE-780072	Washer, Thrust	66	PE-792040	Pin, Roll
30	PE-780086	Bearing, Needle	67	PE-780001	Washer, Thrust
31	PE-792077	Ball, Steel	68	PE-774420	Axle (14-7/8" Long)
32	PE-780109	Washer, Thrust	69	PE-774419	Axle (13" Long)
33	PE-792078	Screw, Set, 3/8-16 x 3/8	70	PE-792035	Ring, Retaining
34	PE-792079	Spring	71	PE-786084	Spacer
35	PE-792073	Screw, Hex Hd. Thread Forming, 1/4-20 x 1-1/4	72	PE-792074	Plug
36	PE-780108	Washer, Thrust	73	PE-786066	Spacer
37	PE-780111	Bearing, Needle	74	PE-792083	Washer
38	PE-780113	Washer, Flat			