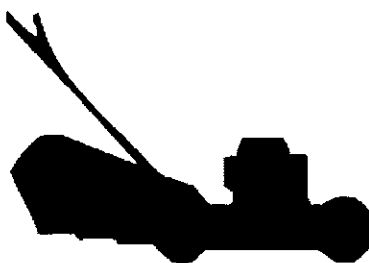


# PARTS LIST

## RIDING MOWER

### 12.5/40 (101.6cm)

Read and keep this parts list book for future reference.  
This parts list book contains drawings and part numbers  
necessary to obtain repair parts.  
See the back cover for repair part ordering information.



Record the following information about your unit. This information is necessary when ordering parts or in case of loss or theft.

WHERE PURCHASED: \_\_\_\_\_.

DATE PURCHASED: Month \_\_\_\_\_ Day \_\_\_\_\_ Year \_\_\_\_\_.

MODEL NO.: \_\_\_\_\_ DATE OF MANUFACTURE: \_\_\_\_\_.

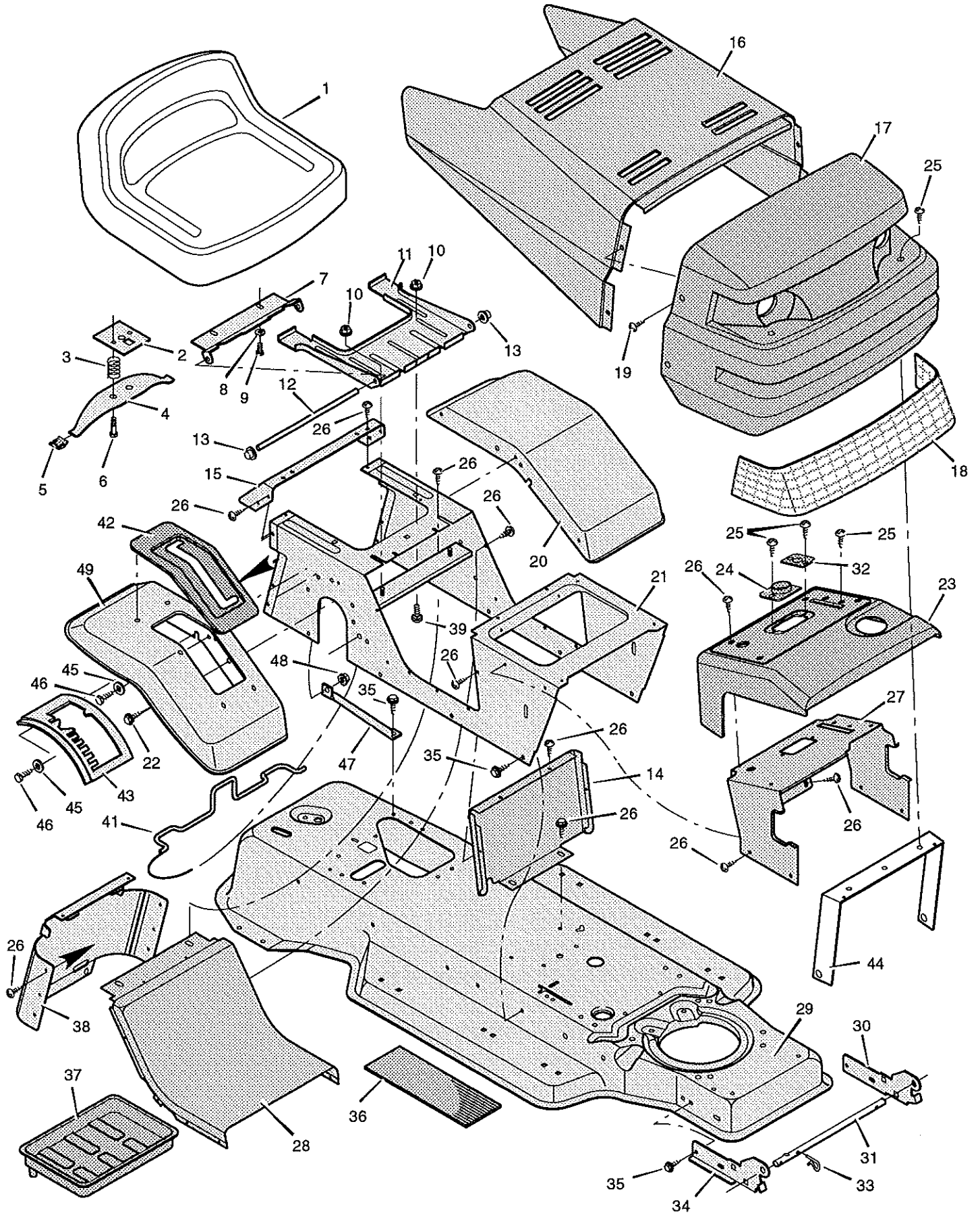


BUILT IN THE

USA

# MODEL 40708x20B

# REPAIR PARTS CHASSIS & HOOD



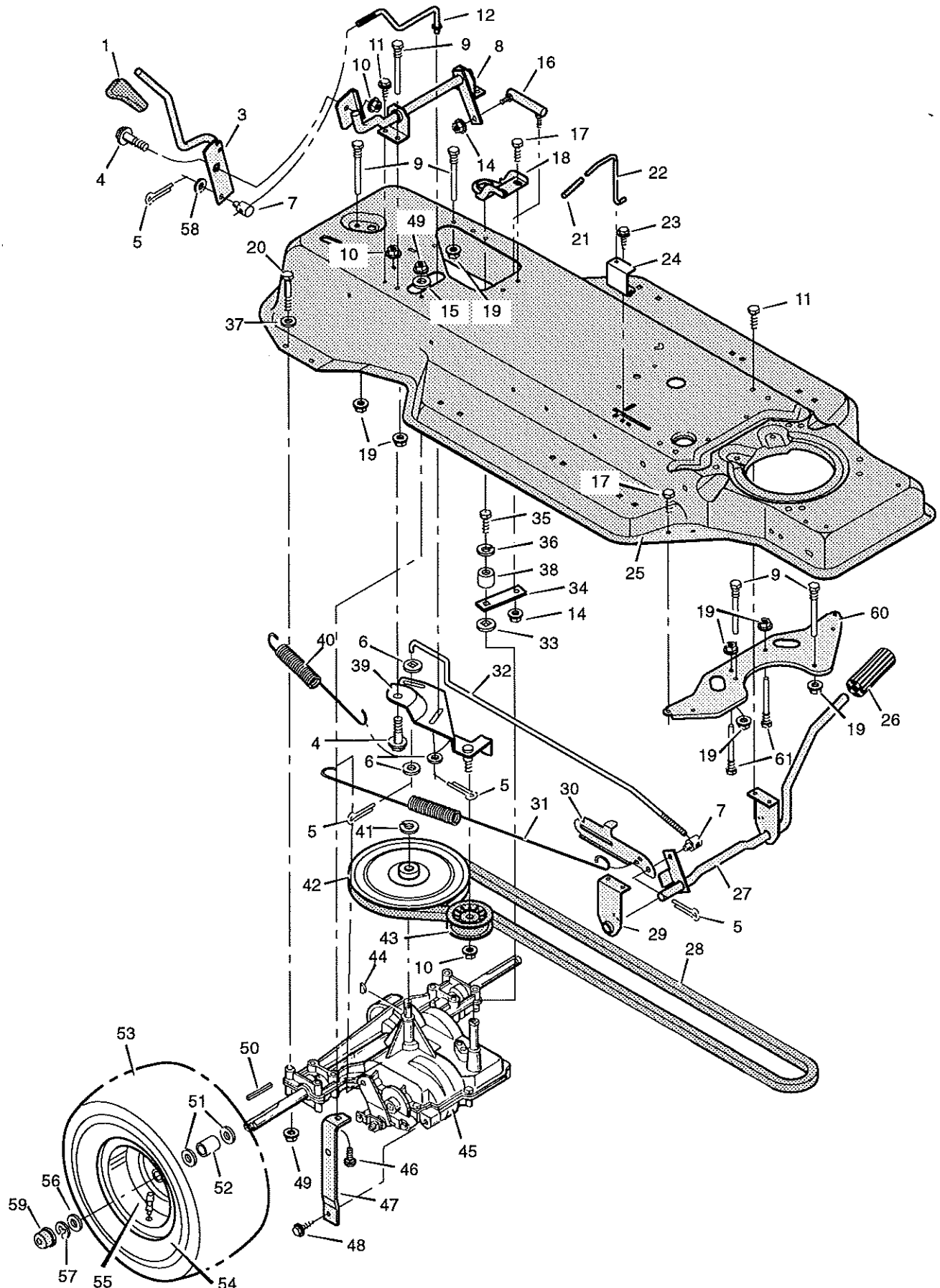
# MODEL 40708x20B

# REPAIR PARTS CHASSIS & HOOD

Key No.	Description	Part No.	Key No.	Description	Part No.
1	Seat	92387	30	Bracket, Left Grille	92347
2	Plate Assembly, Switch	91963Z	31	Rod, Pivot	92332Z
3	Spring, Compression	164x26	32	Bearing	92398
4	Spring, Seat	91964	33	Pin, Hair	31x4
5	Glide, Spring	91822	34	Bracket, Right Grille	92346
6	Bolt, Shoulder	9x38	35	Screw	26x249
7	Support, Seat	92334E701	36	Mat	91900
8	Lockwasher	18x16	37	Tray, Battery	91895
9	Bolt, Hex	1x45	38	Cap, Console *	92443E701
10	Locknut, Flange	15x88	39	Bolt	2x64
11	Bracket, Pivot	92546E701	41	Clamp, Battery	92725
12	Rod, Pivot	91730E701	42	Cover, Shift	91905
13	Cap, Push On	28x23	43	Gate, Shift	91892
14	Insert, Front	92548F200	44	Brace, Grille	92448Z
15	Fender, Apron	91724E701	45	Washer	17x38Z
16	Hood	92333F200	46	Bolt, Hex	1x38
17	Grille	92343	47	Strut, Shifter	91910E701
18	Lens	92344	48	Locknut	15x66
19	Screw	9x47	49	Fender, SOG	92379F200
20	Fender	92328F200	—	Instruction Book	F-95821
21	Console	92729F200	—	Repair Parts Book	F-95822
22	Screw	26x263	—	Decal, Left Hood	44x3043
23	Dash Panel	92605	—	Decal, Right Hood	44x3042
24	Bearing, Steering	92399	—	Decal, Left Console	44x4309
25	Screw	26x239	—	Decal, Right Console	44x5444
26	Screw	26x270	—	Decal, Top Console – Warning	44x5427
27	Support, Dash	92331E701	—	Decal, Fender	44x119
28	Insert, Rear	92549F200	—	Plaque, Name (Hood)	280x56
29	Frame Assembly	92515F200	—	Plaque, Name (Grille)	280x57

# MODEL 40708x20B

# REPAIR PARTS MOTION DRIVE



# MODEL 40708x20B

# REPAIR PARTS MOTION DRIVE

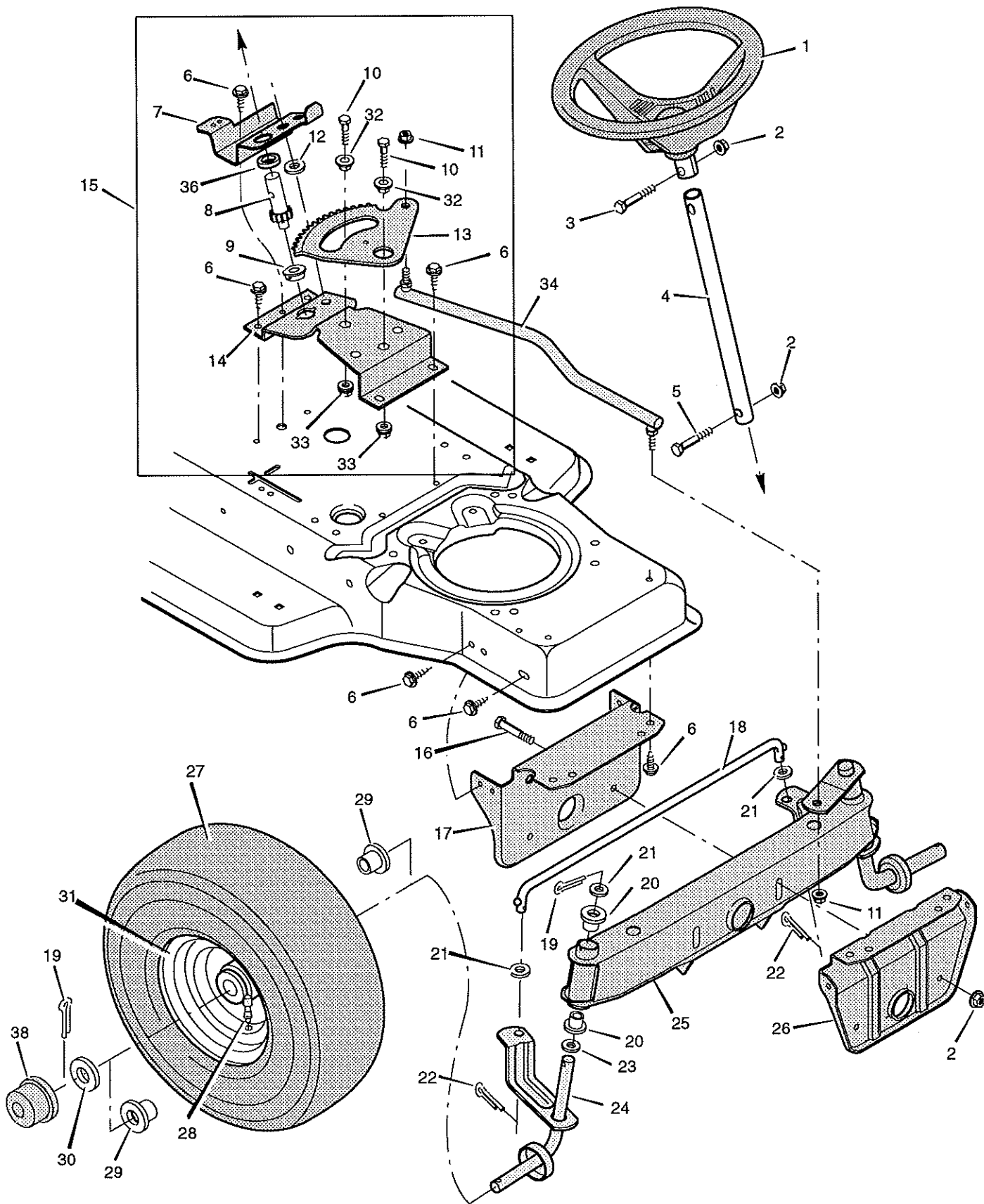
Key No.	Description	Part No.	Key No.	Description	Part No.
1	Grip	92697	34	Yoke, Shift	92041Z
3	Handle, Shift	92031Z	35	Bolt, Hex	1x145
4	Bolt, Shoulder	9x39	36	Lockwasher	18x32
5	Pin, Cotter	30x20	37	Washer	17x146Z
6	Washer	17x47Z	38	Pilot, Support	91889
7	Nut, Adjustable	21920	39	Bracket Assembly, Idler	92737Z
8	Shifter Assembly	92043E701	40	Spring, Motion Drive	165x76
9	Guide, Belt	91754	41	Ring, Retainer	11x7
10	Locknut, Flange	15x84	42	Pulley, Motion Drive	91807
11	Screw	26x249	43	Pulley, Backside Idler	91179
12	Link, Clutch	91877	44	Key, Woodruff	20697
14	Locknut, Flange	15x87	45	Transaxle, Complete Peerless Model No. 930-011**	—
15	Washer	17x45	46	Bolt, Carriage	2x64
16	Link Assembly, Shifter	92085	47	Support, Transaxle	91804E701
17	Screw	26x249	48	Screw	26x216
18	Bracket, Support	91899Z	49	Locknut, Flange	15x88
19	Nut, Flange	15x79	50	Key, Square	21553
20	Bolt, Hex	1x124	51	Washer	17x160
21	Grip	92724	52	Spacer, Transaxle	87x100Z
22	Rod, Control	91727E701	53	Tire (Included with Key No. 54) *	91914
23	Screw	26x214	—	Tube (Included with Key No. 54)	407049
24	Guide, Bracket	91825E701	54	Wheel and Tire Assembly	92289-601
25	Frame Assembly	92515F200	55	Valve Stem	24373
26	Pedal, Clutch/Brake	21544	56	Washer	17x115
27	Lever Assembly	91862E701	57	E-Ring	11x3
28	Belt, Motion Drive	37x61	58	Washer	17x53Z
29	Bracket, Lever Support	91713E701	59	Hub Cap (Optional)	24582
30	Latch, Park Brake	91712Z	60	Plate, Belt Guide	92694E701
31	Spring, Brake Extension	165x82	61	Guide, Belt	20619
32	Rod, Clutch	91808Z			
33	Washer	17x148			

\* When you order a tire, make sure to give the brand name of the tire so that the tread pattern on the tire will match.

\*\* Parts are available from a Tecumseh Authorized Service Center. See "Engines, Gasoline" or "Gasoline Engines" in the yellow pages of the telephone directory.

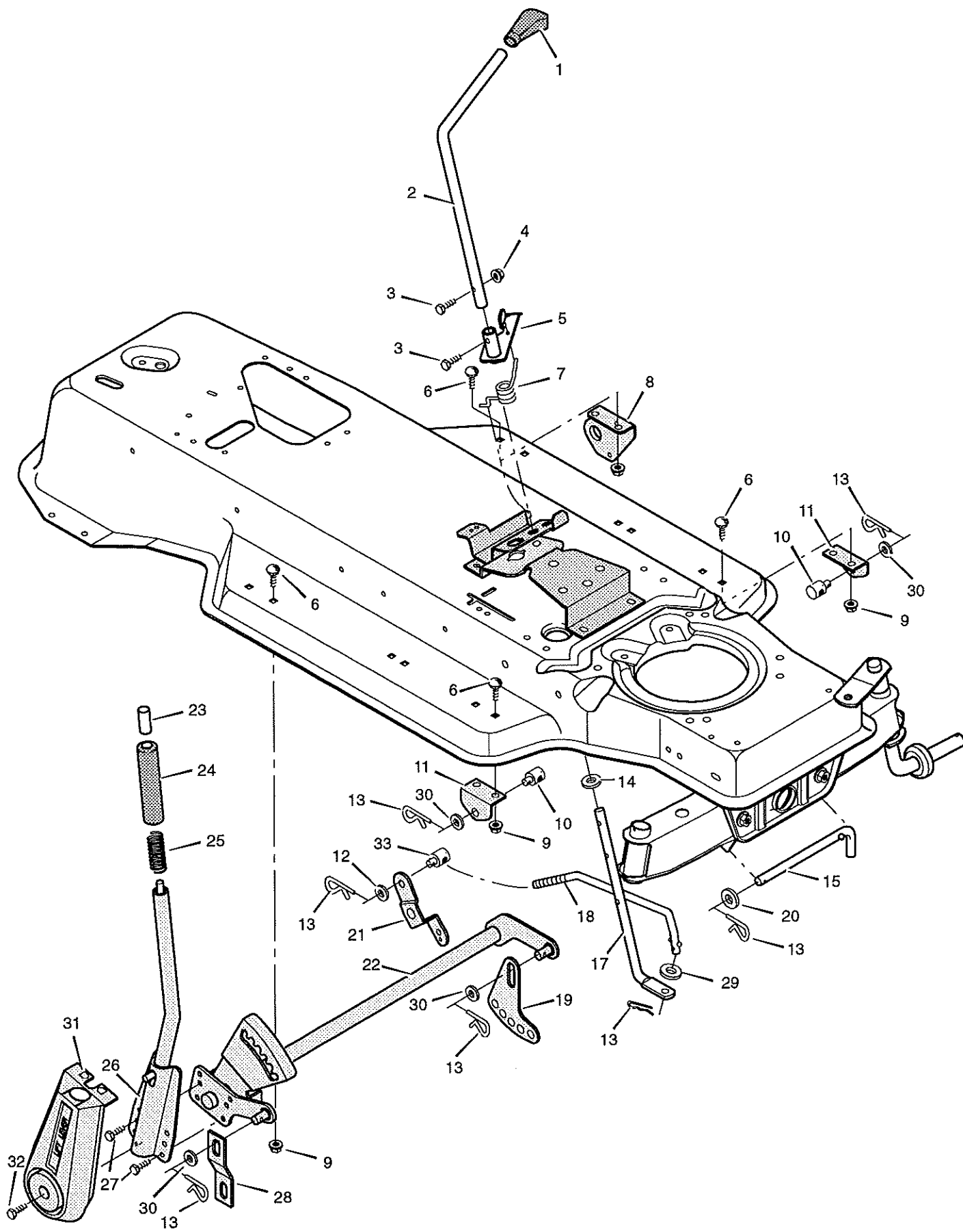
# MODEL 40708x20B

# REPAIR PARTS STEERING



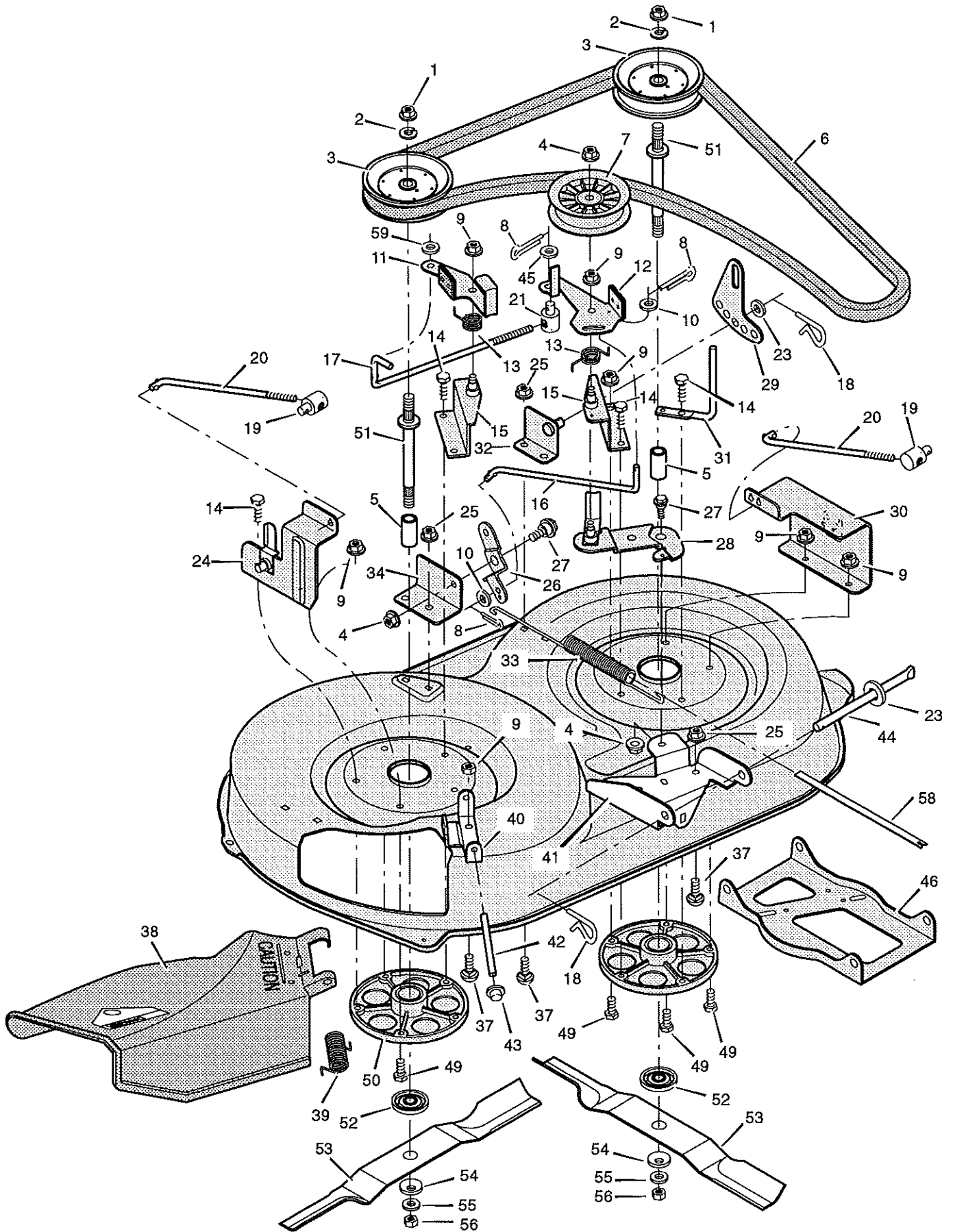
<b>Key No.</b>	<b>Description</b>	<b>Part No.</b>
1	Wheel, Steering	92078
2	Nut, Hex	15x118
3	Bolt, Hex	1x66
4	Post, Steering	91714Z
5	Bolt, Hex	1x74
6	Screw	26x249
7	Bracket, Sector	91716E701
8	Gear, Pinion	92007
9	Bearing	91756
10	Bolt, Hex	1x84
11	Locknut, Flange	15x87
12	Spacer	92564
13	Gear, Sector	92316
14	Bracket, Sector	91708E701
15	Kit, Steering Gear	402075
16	Bolt, Hex	1x146
17	Support, Rear Axle	92529E701
18	Rod, Tie	90038E701
19	Pin, Cotter	30x49
20	Bearing	92527
21	Washer	17x57
22	Pin, Cotter	30x20
23	Washer	17x113
24	Spindle Assembly, Right	91828E701
25	Spindle Assembly, Axle & Left	92519E701
26	Support, Front Axle	92528E701
27	Tire*	91912
—	Tube	407047
28	Stem, Valve	24373
29	Bearing, Wheel	91334
30	Washer	17x115
31	Wheel & Tire Assembly	92287-601
32	Bearing	92097
33	Locknut, Flange	15x113
34	Link, Drag	91749E701
36	Spacer, Pinion Gear	92280
38	Hub Cap (Optional)	24582

\*When you order a tire, make sure to give the brand name of the tire so that the tread pattern on the tire will match.





<b>Key No.</b>	<b>Description</b>	<b>Part No.</b>
1	Grip	92698
2	Control, Blade Rotation	91781Z
3	Bolt, Hex	25x3
4	Locknut, Hex	15x67
5	Lever Assembly, Switch	91917E701
6	Bolt, Carriage	2x53
7	Spring, Torsion	166x32
8	Bracket, Rear Hanger	92066E701
9	Nut, Flange	15x79
10	Nut, Adjusting	92131
11	Bracket, Adjuster Rod	92133E701
12	Washer	17x124
13	Pin, Hair	31x4
14	Washer	17x122
15	Pin, Pull	90827Z
17	Lever, Lower Blade Control	91787E701
18	Rod, Blade Control	91795Z
19	Plate, Adjuster	91741E701
20	Washer	17x103
21	Bracket, Pivot	92033E701
22	Lifter Assembly	92065E701
23	Button, Push	92572
24	Grip	91398
25	Spring, Compression	164x21
26	Handle Assembly	91823E701
27	Screw	26x49
28	Link, Suspension	92064E701
29	Washer	17x47Z
30	Washer	17x91Z
31	Cover, Lift Lever (Optional)	92157
32	Screw	26x263
33	Nut, Adjusting	21920



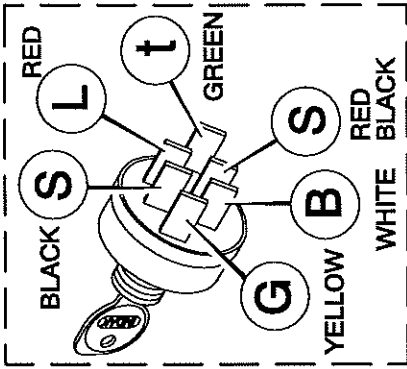
# MODEL 40708x20B

# REPAIR PARTS MOWER HOUSING

Key No.	Description	Part No.	Key No.	Description	Part No.
1	Nut, Hex	15x100	30	Cover, Pulley	91792E701
2	Lockwasher	18x33	31	Guide, Belt	91797E701
3	Pulley, Jackshaft	91943	32	Bracket Assembly, Left Lifter	91813E701
4	Locknut, Flange	15x84	33	Spring, Extension	165x72
5	Spacer	91903	34	Bracket, Pivot	91743E701
6	Belt, Blade Drive	37x62	35	Plate	91770E701
7	Pulley, Idler	91801	36	Washer	17x57
8	Pin, Cotter	30x20	37	Bolt, Carriage	2x53
9	Locknut, Flange	15x88	38	Deflector Assembly, Chute	92465
10	Washer	17x46Z	39	Spring, Torsion	166x4
11	Brake Assembly, Right	92186E701	40	Bracket, Hinge	91765E701
12	Brake Assembly, Left	92187E701	41	Bracket, Front Hanger	91875E701
13	Spring, Torsion	166x27	42	Rod, Deflector	91767Z
14	Bolt, Hex	25x7	43	Cap, Push On	28x23
15	Bracket Assembly, Brake	92072E701	44	Rod, Hanger	91739Z
16	Rod, Brake	91745Z	45	Washer	17x124
17	Rod, Cross Link	92183Z	46	Hanger, Front	92119E701
18	Pin, Hair	31x4	49	Bolt, Hex	1x84
19	Nut, Adjustable	92131	50	Housing, Jackshaft	90905
20	Rod, Adjuster	91872Z	51	Jackshaft	91922
21	Nut, Adjustable	21920	52	Adapter, Blade	92466
22	Link, Suspension	92064E701	53	Blade, 40" (2 required)	92002E701
23	Washer	17x103	54	Washer, Belleville	17x166
24	Bracket Assembly, Right Lifter	92194E701	55	Washer	17x165
25	Nut, Flange	15x79	56	Nut, Hex	15x100
26	Bracket, Pivot	92033E701	58	Indicator, Plastic	92163
27	Bolt, Carriage	9x39	59	Washer	17x48
28	Arm Assembly, Idler	92032E701	60	Housing, Blade	91907E701
29	Plate, Adjuster	91741E701	1-60	Complete Mower Housing Assembly	403229

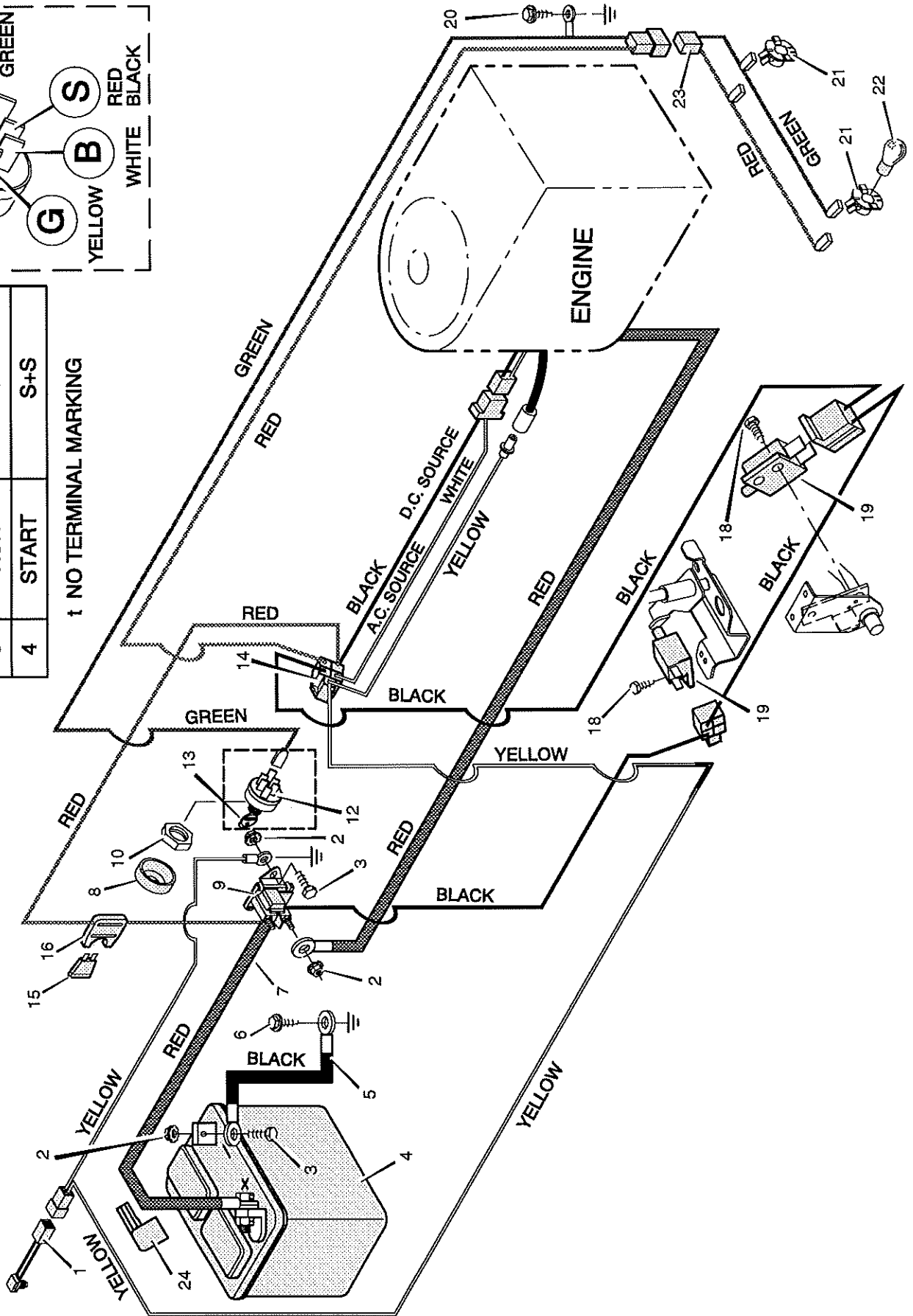
# MODEL 40708x20B

# REPAIR PARTS ELECTRICAL SYSTEM

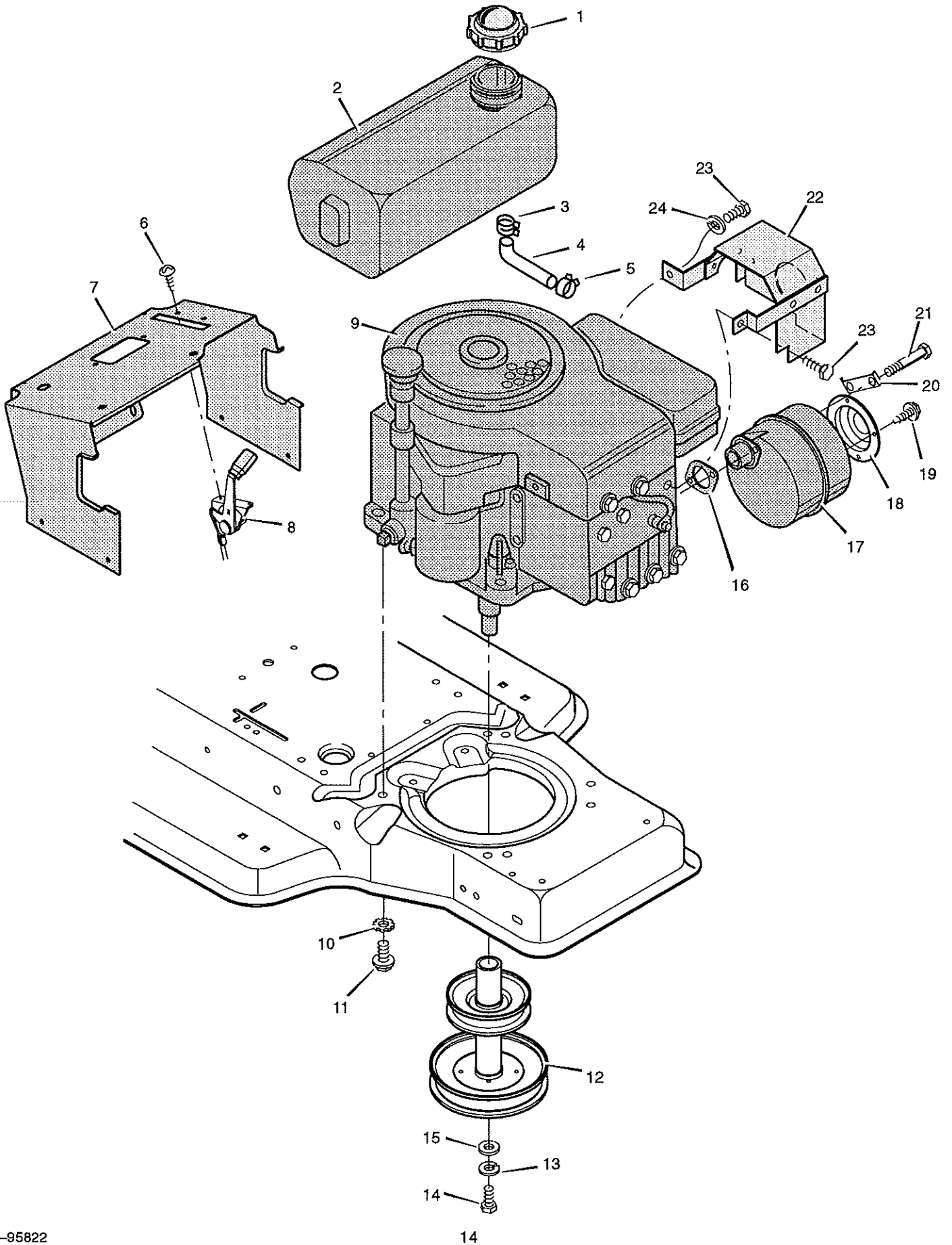


POS.	FUNCTION	CIRCUIT (MAKE)
1	OFF	G+t
2	RUN LIGHTS	B+L
3	RUN	NONE
4	START	S+S

t NO TERMINAL MARKING



<b>Key No.</b>	<b>Description</b>	<b>Part No.</b>
1	Switch, Seat Sensor	91031
2	Locknut	15x66
3	Bolt, Hex	1x38Z
4	Battery	91414
—	Acid, Battery (Electrolyte)	92512
5	Cable, Battery Ground	24x9
6	Screw	26x249
7	Cable, Red Battery	24x29
8	Cap, Ignition	91488
9	Solenoid	24285
10	Nut, Hex	91489
12	Switch, Ignition	92377
13	Key, Ignition	20729
14	Harness, Chassis Wire	250x50
15	Fuse	54212
16	Holder, Fuse	407078
18	Screw	26x233
19	Switch, Clutch	24273
20	Screw	25x2
21	Socket, Light	92372
22	Bulb, Light	90084
23	Harness, Light Wire	250x40
24	Cover, Terminal	54148



<b>Key No.</b>	<b>Description</b>	<b>Part No.</b>
1	Fuel Cap	92317
2	Fuel Tank	92342
3	Hose Clamp	91174
4	Fuel Line	23717
5	Hose Clamp	23713
6	Screw	26x201
7	Support, Dash	92331E701
8	Throttle Control	92371
9	Engine*	_____
10	Washer	19x8
11	Bolt, Engine Mount	25x7
12	Stack Pulley Assembly	92318Z
13	Lockwasher	19x35
14	Bolt, Hex	1x140
15	Washer	17x170
16	Gasket	91309
17	Muffler	91271
18	Deflector, Muffler	23740Z
19	Screw	26x208
20	Lock, Screw	92378
21	Bolt	1x134
22	Shield, Heat	92381 SE
23	Bolt	25x2
24	Washer	18x32

\* The engine model, type and code numbers are on the engine. Authorized Service Center. See "Engines, Gasoline" or "Gasoline Engines" in the yellow pages of the telephone directory. All parts to the engine are available from a Briggs & Stratton Engine Parts Distributor.

# REPAIR PART ORDERING INFORMATION

Use only manufacturer's authorized or approved replacement parts. The letter placed on the end of the part number denotes the type of finish for the part, C for chrome, Z for zinc, a PA for purchased assembly. It is important that you include this when ordering a part. Do not use attachments or accessories not specifically recommended for this unit. In order to obtain proper replacement parts you must supply the model number of your mower (see nameplate).

Replacement parts, except for the engine, transmission, transaxle or differential, are available from the store where the mower was purchased or a service shop recommended by the store.

If you are unable to obtain parts or service in the manner outlined above, then contact: Murray Export Sales B.V., Baarerstrasse 75, 6300 Zug, Switzerland. Collect telephone calls will not be accepted.

Replacement parts for the engine, transaxle, or transmission, are available from the manufacturer's authorized service center found in the yellow pages of the telephone directory. Also, see the individual engine or transmission warranties to order replacement parts.

When ordering the following information is required:

- (1) The Model Number**
- (2) Serial Number**
- (3) Part Number**
- (4) Description**
- (5) Quantity**