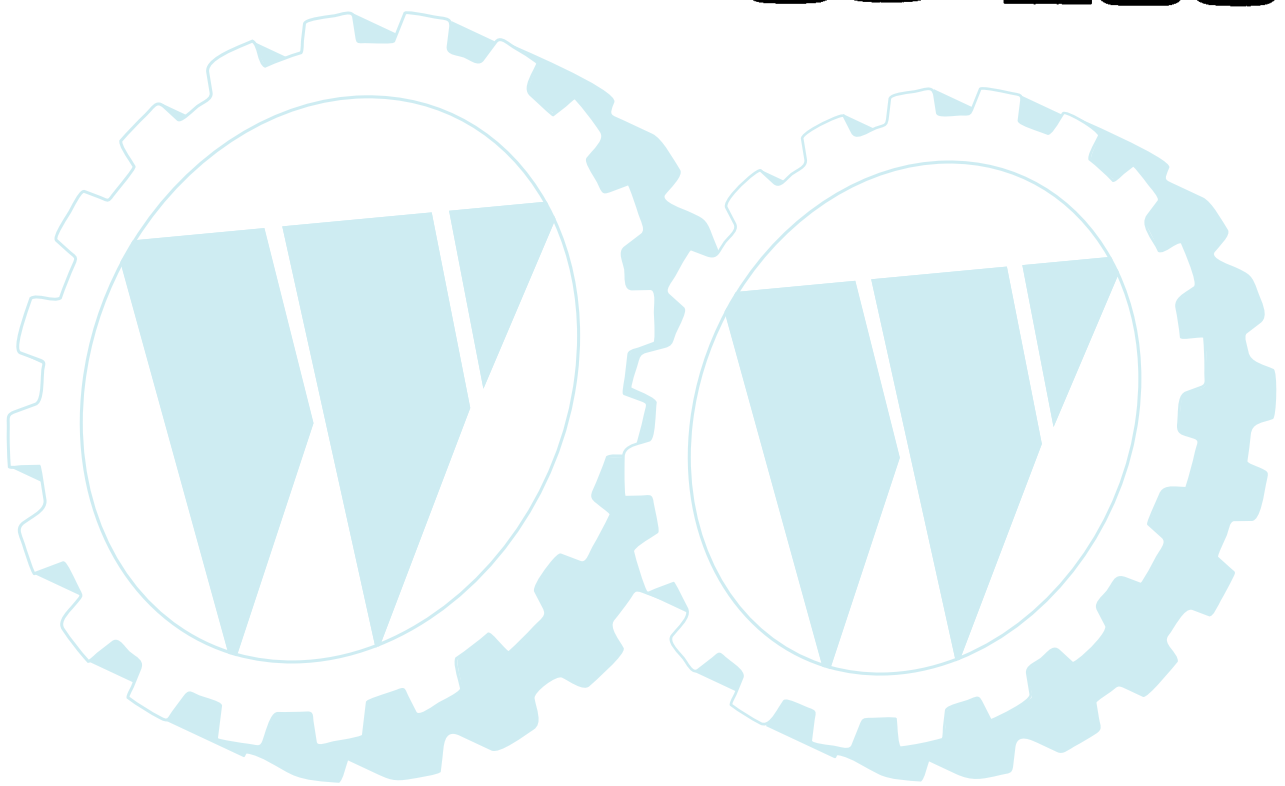


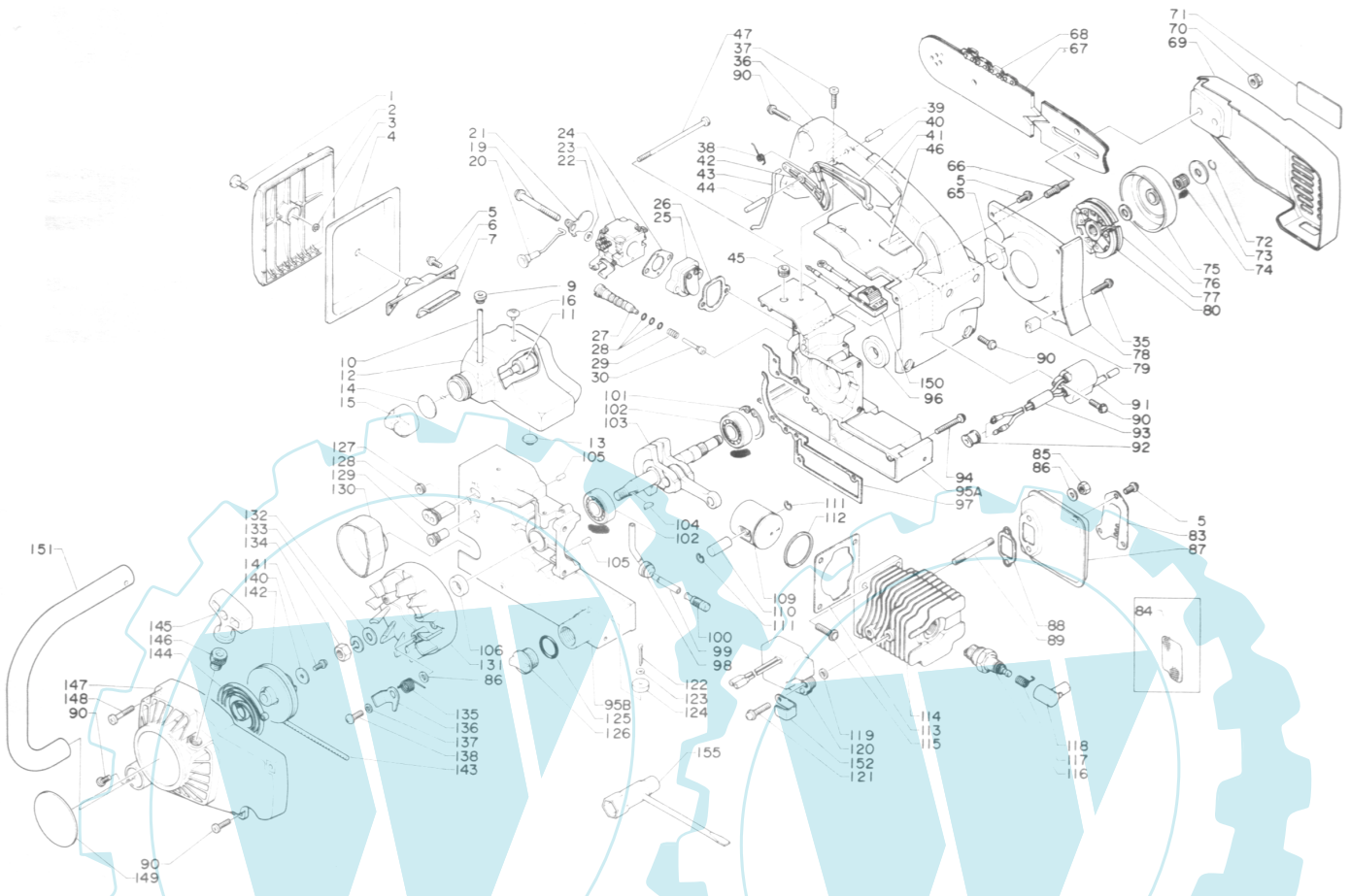
# **ECHO**

## **CHAIN SAW**

# **PARTS CATALOGUE**

## **CS-280E**





Pitch 3/8" (91S)				Saw chain and guide bar				Pitch 1/4"			
1-67	430 010-1393 0	1	Guide bar 30 cm	1-67	430 410-1393 0	1	Guide bar 25 cm	1-67	430 410-1393 0	1	Guide bar 25 cm
68	431 010-1393 0	1	Saw chain 91S 45E	68	431 610-1393 0	1	Guide bar 30 cm	68	431 610-1393 0	1	Saw chain 25AP 56E
75	175 005-1393 0	1	Clutch case 3/8	75	431 611-1003 0	1	Saw chain 25AP 68E	75	175 007-1393 0	1	Clutch case

Key No.	Part No.	Q'ty	Description	Key No.	Part No.	Q'ty	Description
<b>1- *</b>	<b>130 302-1393 0</b>	<b>1</b>	<b>Cover ass'y, air cleaner</b>	<b>1- 9</b>	132 115-0146 0	1	Grommet
1	-130 406-1393 0	1	Thumb bolt	10	132 010-1393 1	1	Fuel pipe
2	-130 313-1393 0	1	Cover, air cleaner	11	131 205-0583 0	1	Fuel strainer
3	-900 700-0000 3	1	E-ring 3	12	131 010-1393 0	1	Fuel tank
				13	100 223-1393 1	1	Cushion
4	130 310-1393 0	1	Air filter	<b>**</b>	<b>131 004-1393 0</b>	<b>1</b>	<b>Cap ass'y, fuel tank</b>
5	900 242-0401 0	3	Screw 4x10 w/W, SW	14	-131 016-1393 0	1	Gasket, fuel tank
6	130 405-1393 0	1	Bracket, air filter	15	-131 017-1393 0	1	Cap, fuel tank
7	131 920-1393 0	1	Cushion	16	131 314-0033 0	1	Check valve
				19	900 242-0505 0	2	Screw 5x50 w/W, SW

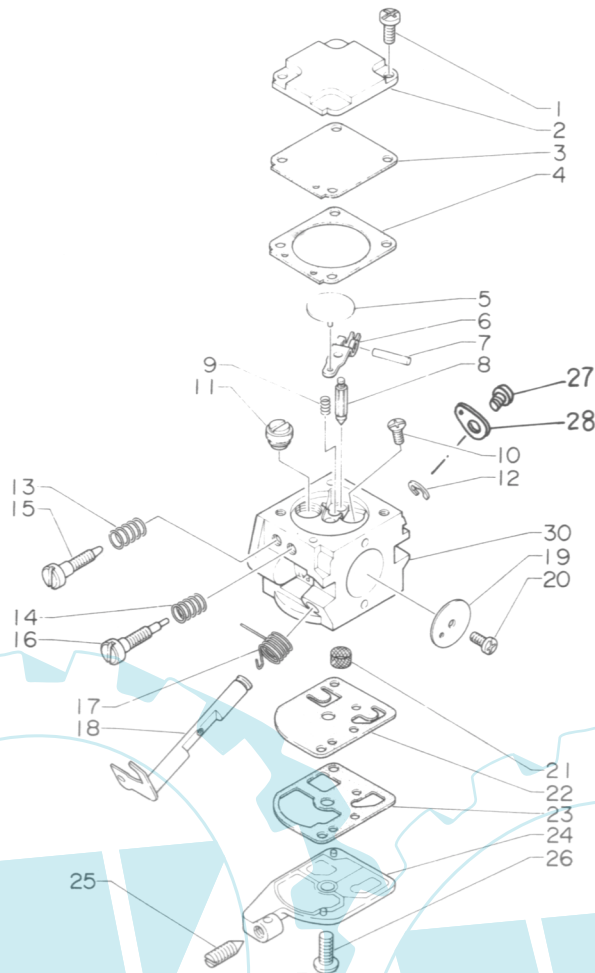
Key No.	Part No.	Q'ty	Description	Key No.	Part No.	Q'ty	Description
20	178 510-1393 0	1	Choke rod	1-99	437 210-1393 0	1	Oil pipe
21	178 515-1393 0	1	Choke shutter	100	436 205-0283 2	1	Oil strainer
22	178 516-0393 0	1	Spacer	101	900 702-0003 2	1	Circlip 32
23	125 200-1393 0	1	Carburetor ass'y	102	900 810-3620 1	2	Ball bearing 6201
24	130 016-0643 0	1	Gasket	103	100 100-1393 0	1	Crankshaft ass'y
25	130 000-1393 0	1	Insulator	104	100 131-0652 0	1	Woodruff key
26	130 010-1393 0	1	Gasket	106	100 212-1123 0	1	Oil seal
27	437 002-1123 0	1	Cylinder and plunger	109	100 010-1393 0	1	Piston
28	437 020-0283 0	3	O-ring	110	100 013-1123 0	1	Piston pin
29	437 019-0283 0	1	Coil spring	111	100 015-0463 0	2	Circlip, piston pin
36	351 010-1393 1	1	Top handle	112	100 011-0573 1	1	Piston ring
37	900 242-0401 8	4	Screw 4x18 w/W, SW	113	101 010-1393 0	1	Gasket, cylinder base
38	178 091-1393 0	1	Spring, safety lock	114	101 011-1393 0	1	Cylinder
39	900 340-5001 8	1	Spring pin 5x18	115	900 242-0502 0	4	Screw 5x20 w/W, SW
40	178 090-1393 0	1	Safety lock	116	159 010-1393 0	1	Spark plug
41	351 012-1393 0	1	Grip, handle	117	159 011-0051 0	1	Coil spring, plug cap
42	178 010-1393 0	1	Throttle trigger	118	159 012-0162 0	1	Cap, spark plug
43	178 011-1393 0	1	Throttle rod	119	152 117-0553 0	2	Spacer
44	900 340-5002 5	1	Spring pin 5x25	120	156 601-1393 0	1	C.D. Ignition module
45	178 210-0023 0	1	Grommet	121	900 242-0502 2	2	Screw 5x22 w/W, SW
46	890 151-1393 0	1	Decal	122	900 300-2001 5	1	Slit pin 2x15
47	100 244-1393 0	2	Screw	123	900 600-0000 2	1	Washer 2
65	100 614-1393 0	1	Plug	124	131 410-0033 0	1	Felt
66	433 011-1393 0	2	Stud bolt	***	436 001-1393 0	1	Cap ass'y, oil tank
69	433-010-1393 0	1	Cover, guide bar	125	-900 720-0001 6	1	O-ring 16
70	433 019-0393 1	2	Flange nut 6	126	-436 013-1393 0	1	Cap, oil tank
71	890 137-1393 0	1	Decal, ECHO	127	178 810-0333 0	1	Grommet
72	100 130-1123 0	1	Snap ring	128	129 010-1393 0	1	Grommet
73	175 015-1393 0	1	Washer	129	129 015-1393 0	1	Grommet
74	175 012-0393 0	1	Needle bearing	130	131 038-1393 0	1	Seal
76	175 014-1123 1	1	Washer	131	156 800-1393 0	1	Flywheel
77	175 000-1393 0	1	Clutch ass'y	132	900 600-0000 8	1	Washer 8
80	-175 018-1393 0	1	Spring, clutch	133	900 605-0000 8	1	Spring washer 8
78	175 305-1393 0	1	Seal plate	134	900 502-0000 8	1	Nut 8
79	175 311-1393 0	1	Spacer	135	177 234-1393 0	2	Return spring, ratchet
83	145 876-1393 0	1	Muffler lid	136	177 218-1393 0	2	Ratchet
84	145 862-1393 0	1	Screen	137	177 247-0463 0	2	Spacer
85	433 020-0083 0	2	Lock nut 5	138	177 217-1393 0	2	Screw
86	900 602-0000 5	2	Washer 5	****	177 200-1393 1	1	Recoil starter ass'y
87	145 805-1393 0	1	Muffler	140	-177 214-0463 0	1	Washer
88	145 510-1393 0	1	Gasket, muffler	141	-900 241-0401 0	1	Screw 4x10 w/SW
89	101 014-0713 1	2	Stud bolt	142	-177 215-0653 0	1	Recoil drum
90	900 242-0401 6	5	Screw 4x16 w/W, SW	143	-177 226-0653 0	1	Rope
91	156 626-1393 0	1	Ignition coil	144	-177 220-0653 0	1	Rewind spring
92	156 114-1393 0	1	Grommet	145	-177 228-1113 0	1	Starter handle
93	156 613-1393 0	1	Cover tube	146	-177 227-0533 0	1	Rope guide
94	900 242-0403 0	6	Screw 4x30 w/W, SW	147	-101 507-1393 1	1	Fan cover
95	100 200-1393 0	1	Crankcase set	148	900 242-0402 5	2	Screw 4x25 w/W, SW
105	-100 215-0393 0	2	Knock pin	149	890 012-1113 2	1	Decal
96	100 213-0393 0	1	Oil seal	150	163 400-1393 0	1	Switch
97	100 242-1393 0	1	Gasket, crankcase	151	351 205-1393 0	1	Front handle
98	132 115-1113 0	1	Grommet	152	159 112-1393 0	1	Clamp
				155	895 410-0393 0	1	Wrench w/s. driver

77 Included 80,

84 Option,  
95 Included 105.

## Remarks

- \* Consisting of 1 thru 3.
- \*\* Consisting of 14 and 15.
- \*\*\* Consisting of 125 and 126.
- \*\*\*\* Consisting of 140 thru 147.



Key No.	Part No.	Q'ty	Description	Key No.	Part No.	Q'ty	Description
<b>2-</b>	<b>125 200-1393 0</b>	<b>1</b>	<b>Carburetor ass'y</b>	<b>2-16</b>	-125 318-1393 0	1	Needle, idle
1	-125 344-1393 0	4	Screw	17	-125 313-1393 0	1	Return spring, throttle
2	-125 342-1393 0	1	Cover, diaphragm	18	-125 317-1393 0	1	Throttle shaft
3	-125 341-1393 0	1	Diaphragm	19	-125 316-1393 0	1	Throttle shutter
4	-125 340-1393 0	1	Gasket, diaphragm	20	-125 314-1393 0	1	Screw
5	-125 375-1393 0	1	Disc	21	-125 326-1393 0	1	Screen
6	-125 323-1393 0	1	Valve arm	22	-125 312-1393 0	1	Diaphragm, fuel pump
7	-125 338-1393 0	1	Arm pin	23	-125 325-1393 0	1	Gasket, fuel pump
8	-125 337-1393 0	1	Needle valve	24	-125 324-1393 0	1	Pump cover
9	-125 322-1393 0	1	Coil spring	25	-125 334-1393 0	1	Screw, idle adjustment
10	-125 339-1393 0	1	Screw	26	-125 310-1393 0	1	Screw
11	-125 376-1393 0	1	Orifice, main fuel	27	-125 348-1393 0	1	Screw
12	-125 327-1393 0	1	Clip	28	-125 350-1393 0	1	Throttle lever
13, 14	-125 319-1393 0	2	Coil spring				
15	-125 320-1393 0	1	Needle, high speed				

**Remark**  
Consisting of 1 thru 28.



# KIORITZ CORPORATION

5-1 SHIMORENJAKU, 7-CHOME, MITAKA, TOKYO 181  
 CABLE ADDRESS: KIORITZ MITAKA  
 TELEX ADDRESS: KIORITZ A J26592