

# CATALOGUE PIÈCES DE RECHANGE

# BERNARD Loisirs

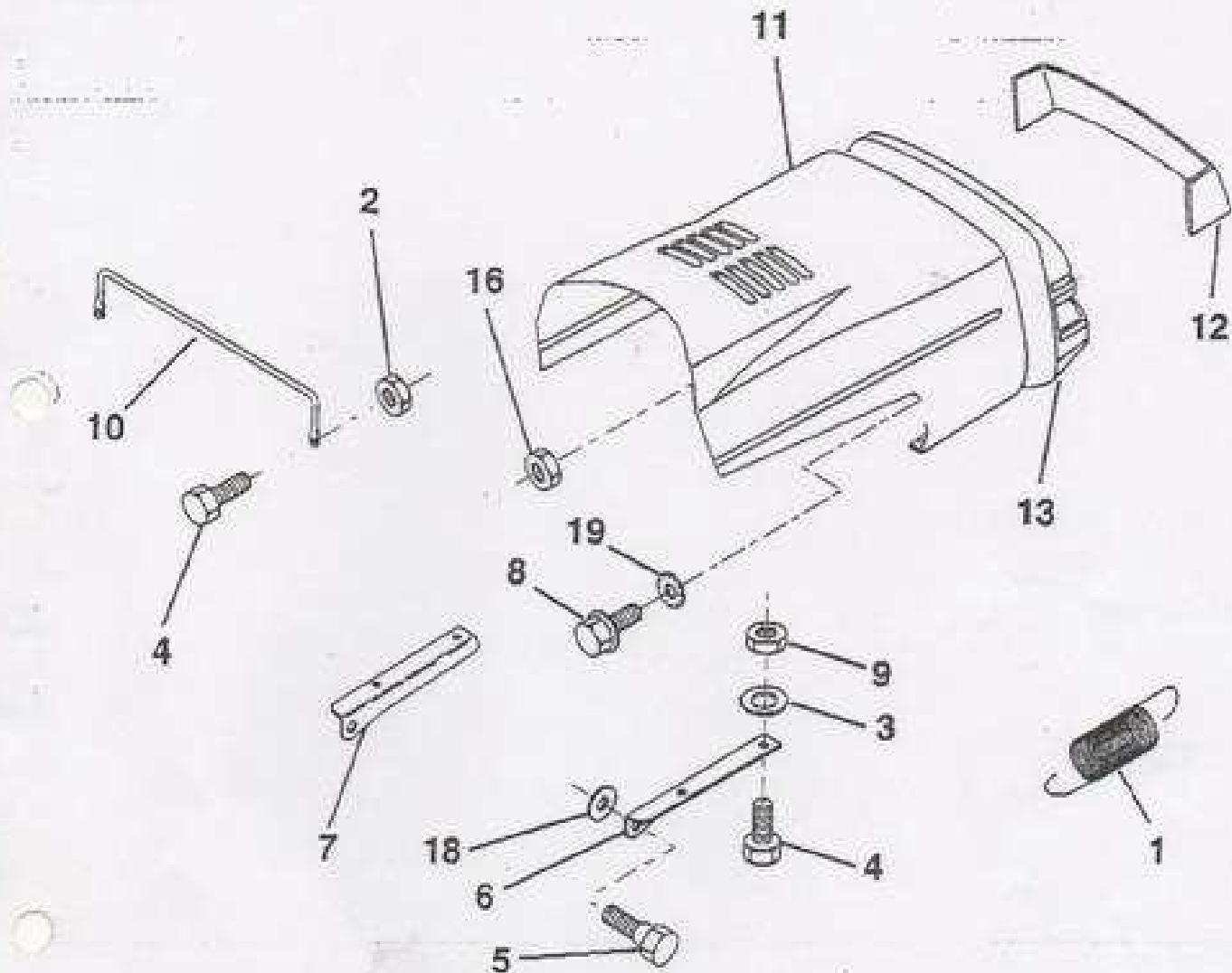
**TRACTEUR DE PELOUSE**

**MODELE : BL 1238 T**

**N° DE PRODUIT : 954 00 25-01**

**REPAIR PARTS**

12 HP 38" TRACTOR - MODEL NO. BL1238TC, PRODUCT NO. 954 00 25-01

**HOOD**

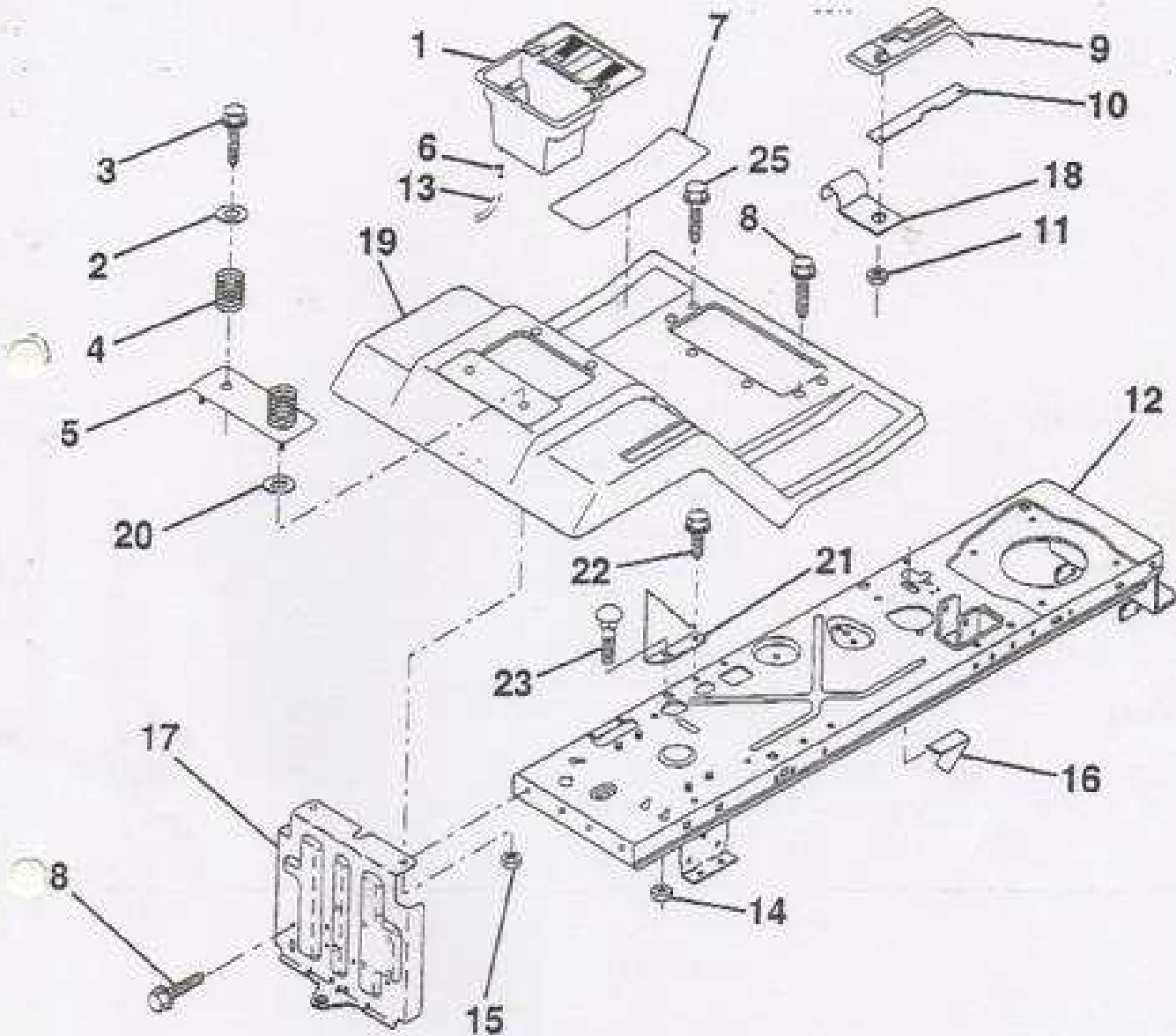
KEY NO.	PART NO.	DESCRIPTION
1	532124657	Extension, Spring
2	873640400	Nut, Hex. Keps 1/4-20
3	819091416	Washer 9/32 x 7/8 x 16 Ga.
4	874780412	Bolt, Hex Fin. 1/4-20 x 3/4 Gr. 5
5	532139888	Bolt, Shoulder
6	532122549	Bracket, Hood R. H.
7	532122548	Bracket, Hood L.H.
8	817521310	Screw, Sild Hx Hd w/PI Washer

KEY NO.	PART NO.	DESCRIPTION
9	873800400	Nut, Lock w/insert 1/4-20 Unc
10	532123693	Brace, Hood
11	532125386	Hood
12	532140126	Lens, Plate, Grill
13	532140110	Grill
16	532124346	Nut, Self Thd.
18	819111118	Washer 11/32 x 11/16 x 16 Ga.
19	811030400	Washer Lock 1/4 In/Ext Tooth

HARDWARE SHOWN LARGER FOR EASIER IDENTIFICATION

# REPAIR PARTS

12 HP 38" TRACTOR - MODEL NO. BL1238TC, PRODUCT NO. 954 00 25-01  
 FENDER / CHASSIS



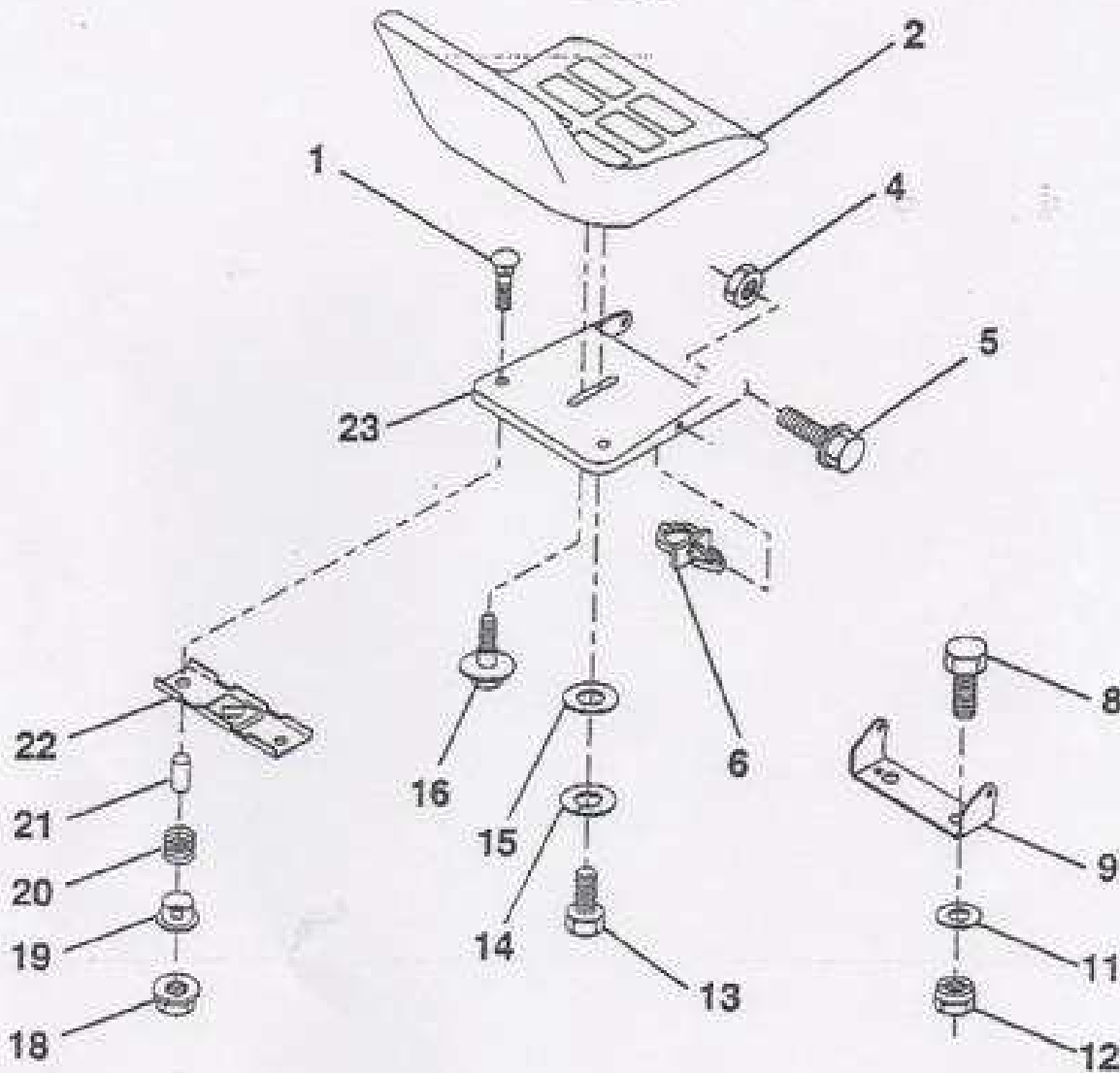
KEY NO.	PART NO.	DESCRIPTION
1	532129965	Case, Battery
2	819132012	Washer 13/32 x 1-1/4 x 12 Gauge
3	817490612	Screw, Hex Wsh. Thrdrol. 3/8-16 x 3/4
4	532124181	Spring, Compression, Seat
5	532125139	Plate, Asm. Battery
6	532109586	Clamp, Hose
7	532124144	Pad, Footrest
8	817490512	Screw, Hex Wsh. Thrdrol. 5/16-18 x 3/4
9	532126995	Console, Shift Control
10	532139783	Bar, Shift Lock
11	532124346	Nut, Self-Threading, Washer Head 3/16

KEY NO.	PART NO.	DESCRIPTION
12	532145190	Assembly, Frame
13	532109238	Tube, Battery Drain
14	873680500	Nut Crownlock 5/16-18
15	873640400	Nut, Keps 1/4-20 UNC
16	532141736	Switch Actuator
17	532140782	Drawbar
18	532126470	Clip, Insulated
19	532141471	Fender/Footrest
20	819091413	Washer 9/32 x 7/8 x 13 Ga.
21	532140297	Plate Stop Depth
22	817490508	Screw Thrdrol 5/16-18 x 1/2
23	872110506	Bolt Rdhd Sqrk 5/16-18 x 3/4
25	817490516	Screw Hx Wsh Thd Rol 5/16-18x1

HARDWARE SHOWN LARGER FOR EASIER IDENTIFICATION

# REPAIR PARTS

12 HP 38" TRACTOR - MODEL NO. BL1238TC, PRODUCT NO. 954 00 25-01  
SEAT

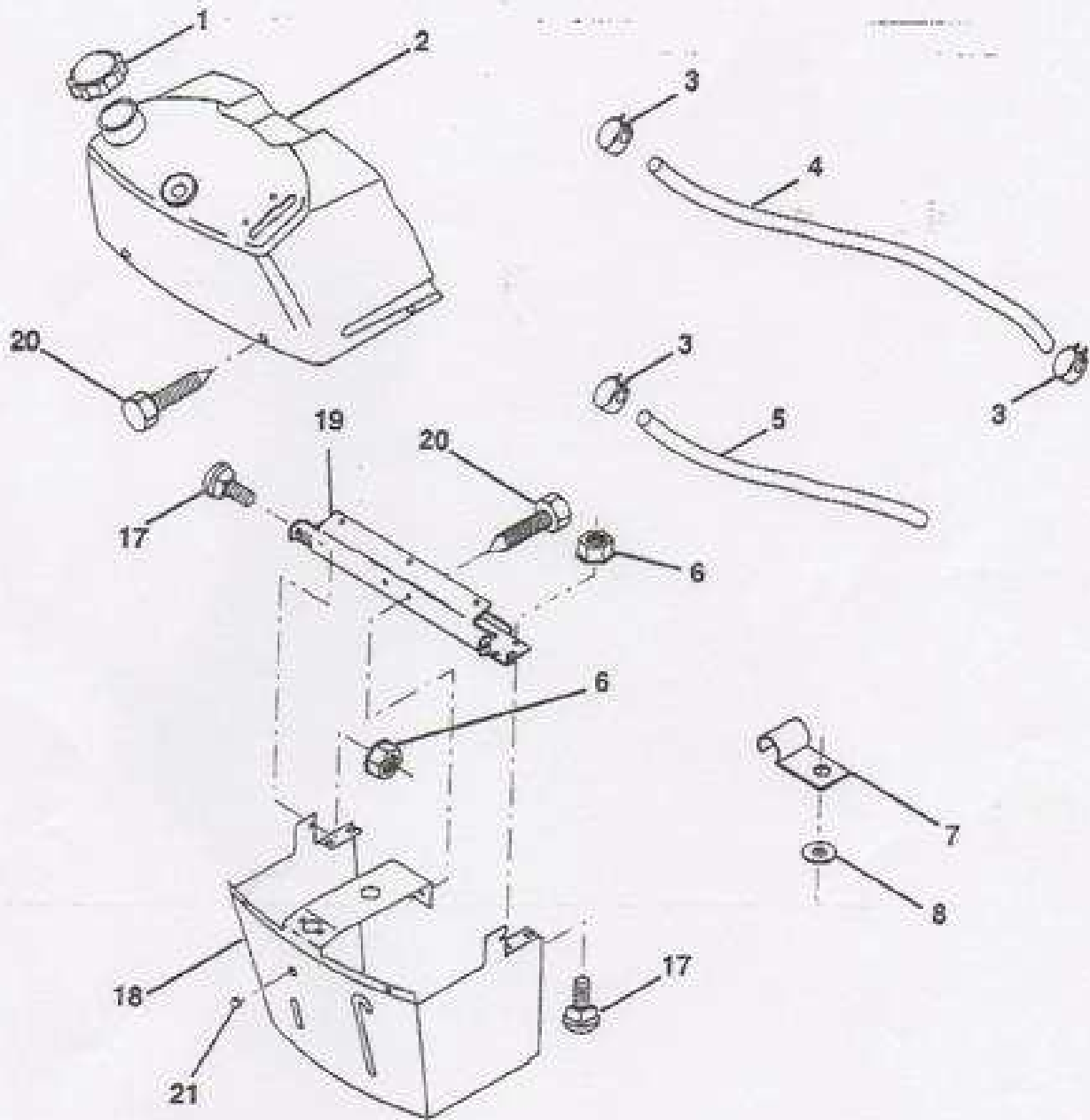


KEY NO.	PART NO.	DESCRIPTION
1	872050411	Bolt, Carriage 1/4-20 x 1-3/8
2	532127427	Seat
4	873800500	Nut, Lock Hex W/Wsh 5/16-18
5	532139888	Bolt, Shoulder 5/16-18 UNC
6	532145006	Clip, Push-In
8	874780616	Bolt, Fin Hex 3/8-16 UNC x 1
9	532140551	Bracket, Pivotal Seat
11	819133210	Washer 12/32 x 3/4 x 10 Ga.
12	873800600	Nut, Lock Hex W/Ins 3/8-16 UNC
13	874780614	Bolt, Fin Hex 1/2-13 UNC x 7/8 Gr. 5

KEY NO.	PART NO.	DESCRIPTION
14	810040800	Washer, Lock Hvy Helical Spring
15	819171912	Washer 17/32 x 1-3/16 x 12 Ga.
16	532127018	Bolt, Shoulder
18	532123978	Nut, Hex Large Flange Lock
19	532121248	Bushing, Snap
20	532121250	Spring, Compression
21	532134300	Spacer, Split 28 Id. x .96 Lg.
22	532121248	Bracket, Switch, Mounting
23	532140552	Pan, Seat

# REPAIR PARTS

12 HP 38" TRACTOR - MODEL NO. BL1238TC, PRODUCT NO. 954 00 25-01  
DASH

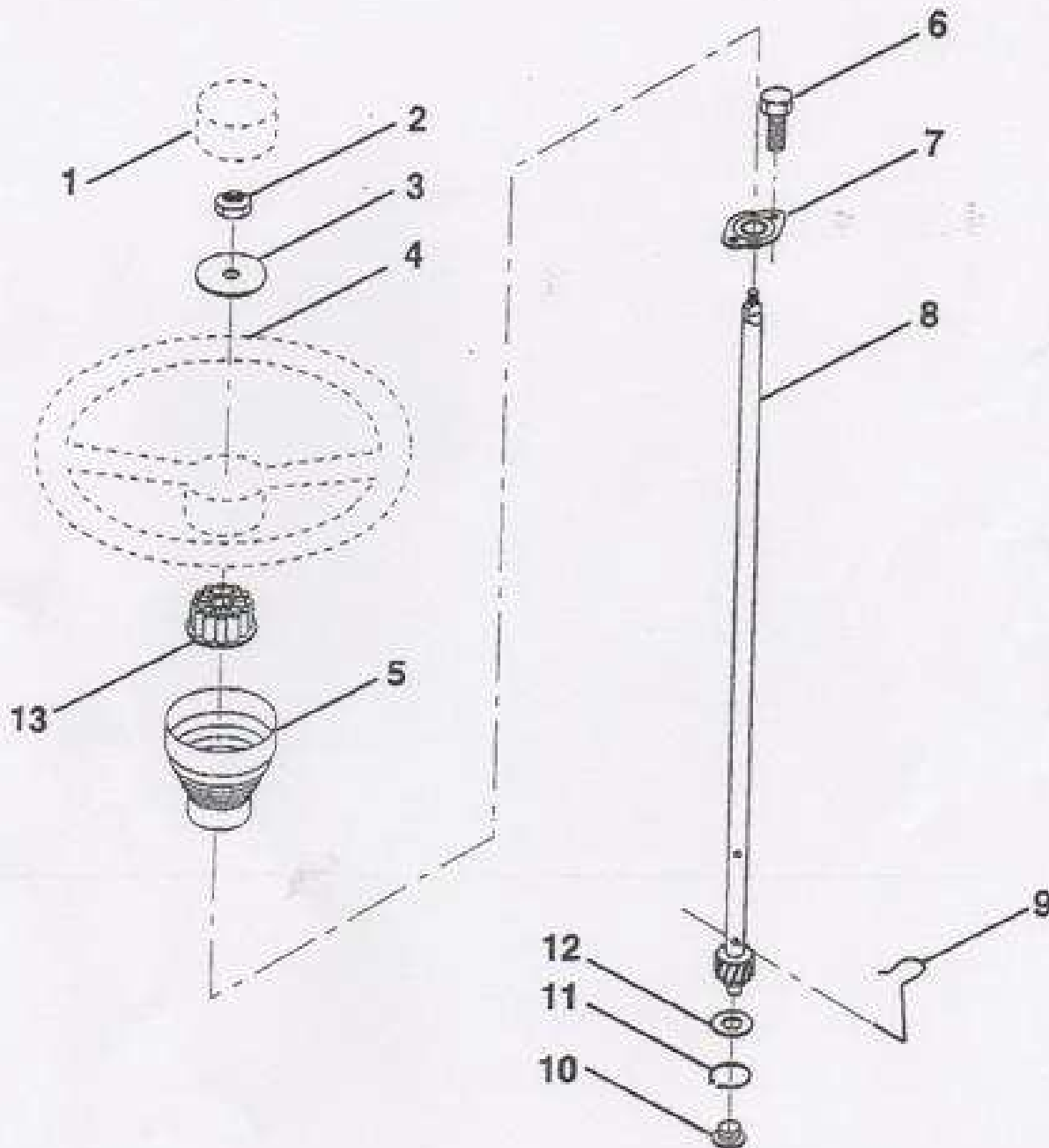


KEY NO.	PART NO.	DESCRIPTION
1	532141523	Cap, Fuel
2	532136393	Assembly, Dash & Fuel Tank
3	532123487	Clamp, Hose
4	532008544	Line, Fuel
5	532008548	Line, Fuel
6	873640400	Nut, Hex, Keps 1/4-20
7	532124996	Clip, Fuel Line

KEY NO.	PART NO.	DESCRIPTION
8	819091216	Washer 9/32 x 3/4 x 16 Ga.
17	872110404	Bolt, Carriage 1/4-20 x 1/2 Gr. 5
18	532131886	Support Assembly, Dash
19	532134744	Brace, Cross
20	817060408	Screw, Self-Tapping 1/4-20 x 1/2
21	532134014	Plug Dome Blk

**REPAIR PARTS**

**12 HP 38" TRACTOR - MODEL NO. BL1238TC, PRODUCT NO. 954 00 25-01**  
**STEERING WHEEL**



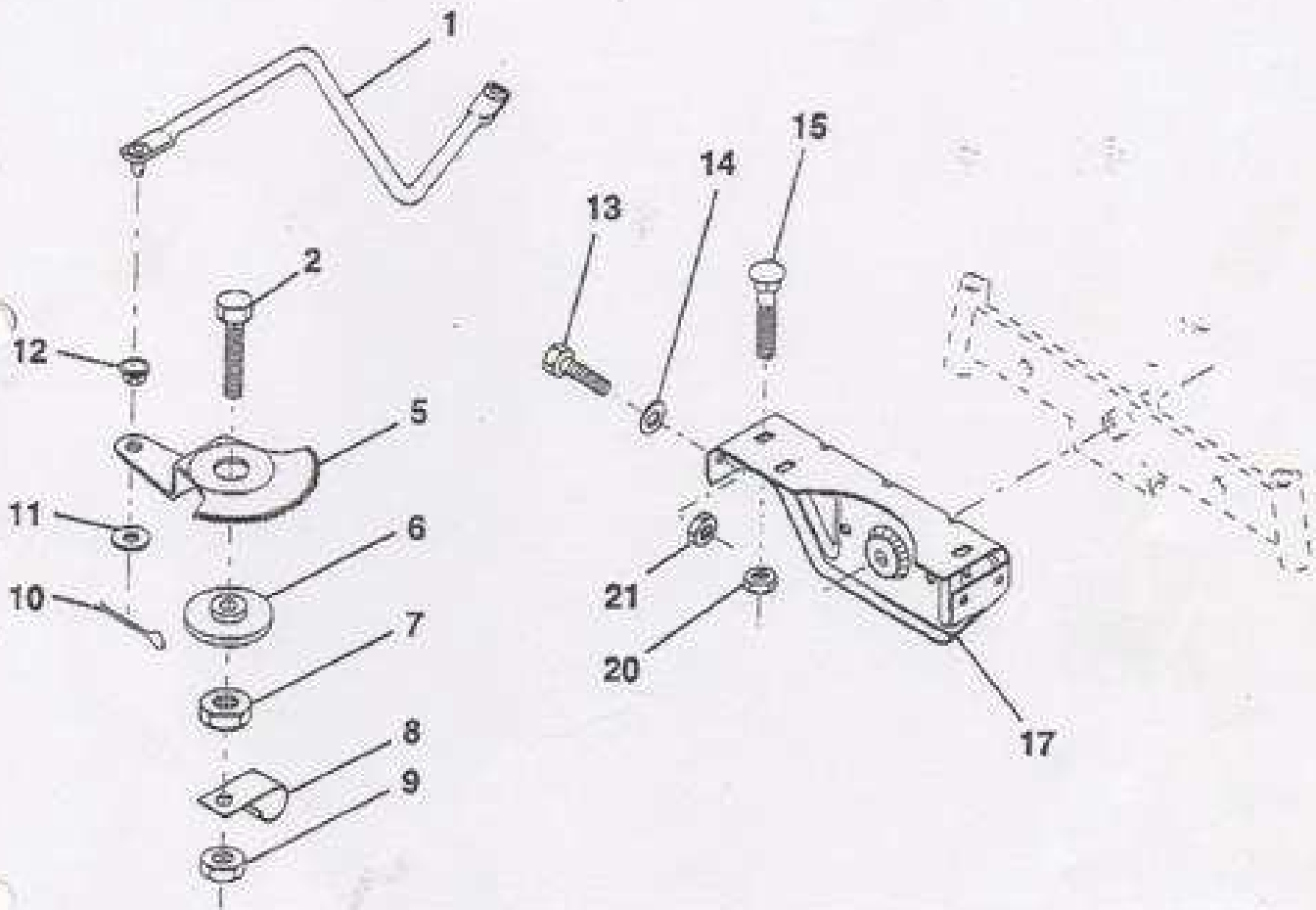
KEY NO.	PART NO.	DESCRIPTION
1	532133742	Insert, Wheel, Steering
2	532124701	Nut, Lock 3/8-24 UNF
3	819133808	Washer 12/32 x 2-3/8 x 8 Ga.
4	532133741	Wheel, Steering
	532121897	Sleeve, Steering
	817431008	Screw, Hex #10-16 x 1/2 TY-B
7	532102803	Bushing, Steering

KEY NO.	PART NO.	DESCRIPTION
8	532123651	Shaft, Steering
9	532124210	Clip, Steering
10	532123438	Bushing, Lower, Steering
11	812000045	Ring, Retaining
12	819211616	Washer 21/32 x 1 x 16 Ga.
13	532104820	Adaptor, Wheel, Steering

HARDWARE SHOWN LARGER FOR EASIER IDENTIFICATION

**REPAIR PARTS**

**12 HP 38" TRACTOR - MODEL NO. BL1238TC, PRODUCT NO. 954 00 25-01**  
**SECTOR GEAR / AXLE SUPPORT**



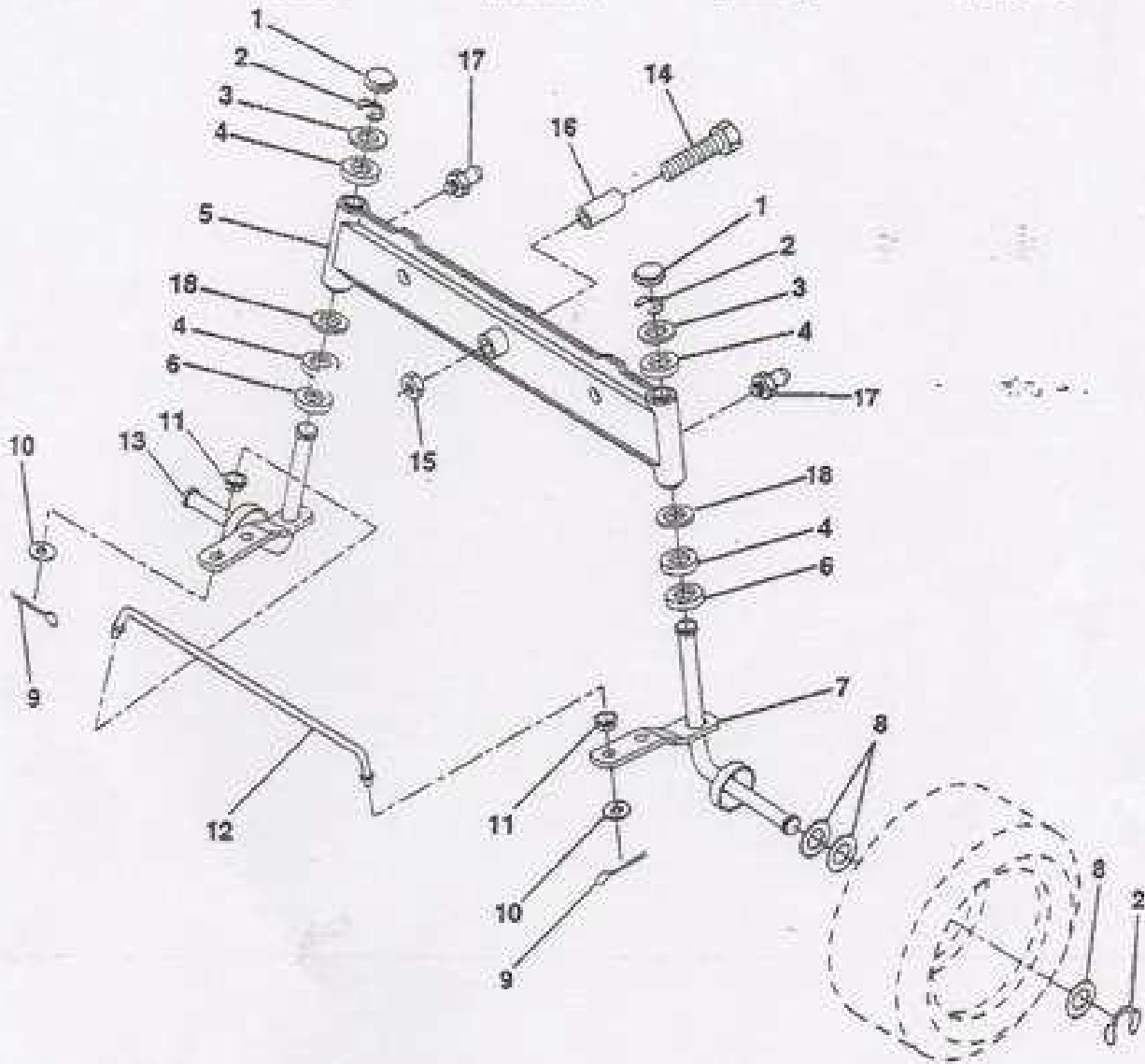
KEY NO.	PART NO.	DESCRIPTION
1	532132566	Link, Drag
2	874780828	Bolt, Fin Hex 1/2-13 x 1-3/4
5	532121926	Gear, Sector
6	532121927	Bushing
7	873030600	Nut, Hvy Hex Top Lock 1/2-13 UNC
8	532126472	Clip, Insulated
9	873680800	Nut, Crownlock 3/8-16
10	878020412	Pin, Cotter 1/8 x 3/4

KEY NO.	PART NO.	DESCRIPTION
11	819131316	Washer, 13/32 x 13/16 x 16 Ga.
12	532126847	Bushing
13	874760512	Bolt, Hex Hd. 5/16-18 UNC x 3/4
14	819111416	Washer 11/32 x 7/8 x 16 Ga.
15	872110606	Bolt, Carriage 3/8-16 UNC x 3/4
17	532137096	Support, Front Axle
20	873680600	Nut, Crownlock 3/8-16
21	873680500	Nut, Crownlock 5/16-18

**HARDWARE SHOWN LARGER FOR EASIER IDENTIFICATION**

# REPAIR PARTS

12 HP 38" TRACTOR - MODEL NO. BL1238TC, PRODUCT NO. 954 00 25-01  
FRONT AXLE



KEY NO.	PART NO.	DESCRIPTION
1	532121232	Cap. Spindle
2	812000029	Ring, Clip
3	532121748	Washer 25/32 x 1-5/8 x 16 Ga.
4	532124937	Bearing Col Strg Blk
5	532142033	Axle, Front
6	532124931	Bearing, Thrust
7	532137062	Spindle, R.H. Asm.
8	532121749	Washer 25/32 x 1-1/4 x 16 Ga.
9	878020412	Pin, Cotter 1/8 x 3/4

KEY NO.	PART NO.	DESCRIPTION
10	819131316	Washer 13/32 x 13/16 x 16 Ga.
11	532126847	Bushing
12	532130465	Rod, Tie
13	532137061	Spindle, L.H. Asm.
14	874011056	Bolt Hex 5/8-11 x 3-1/2
15	873901000	Locknut Flange 5/8-11
16	532110438	Spacer Bearing Axle Front
17	532124836	Fitting Grease
18	819272016	Washer 27/32 x 1-1/4 x 16 Ga.

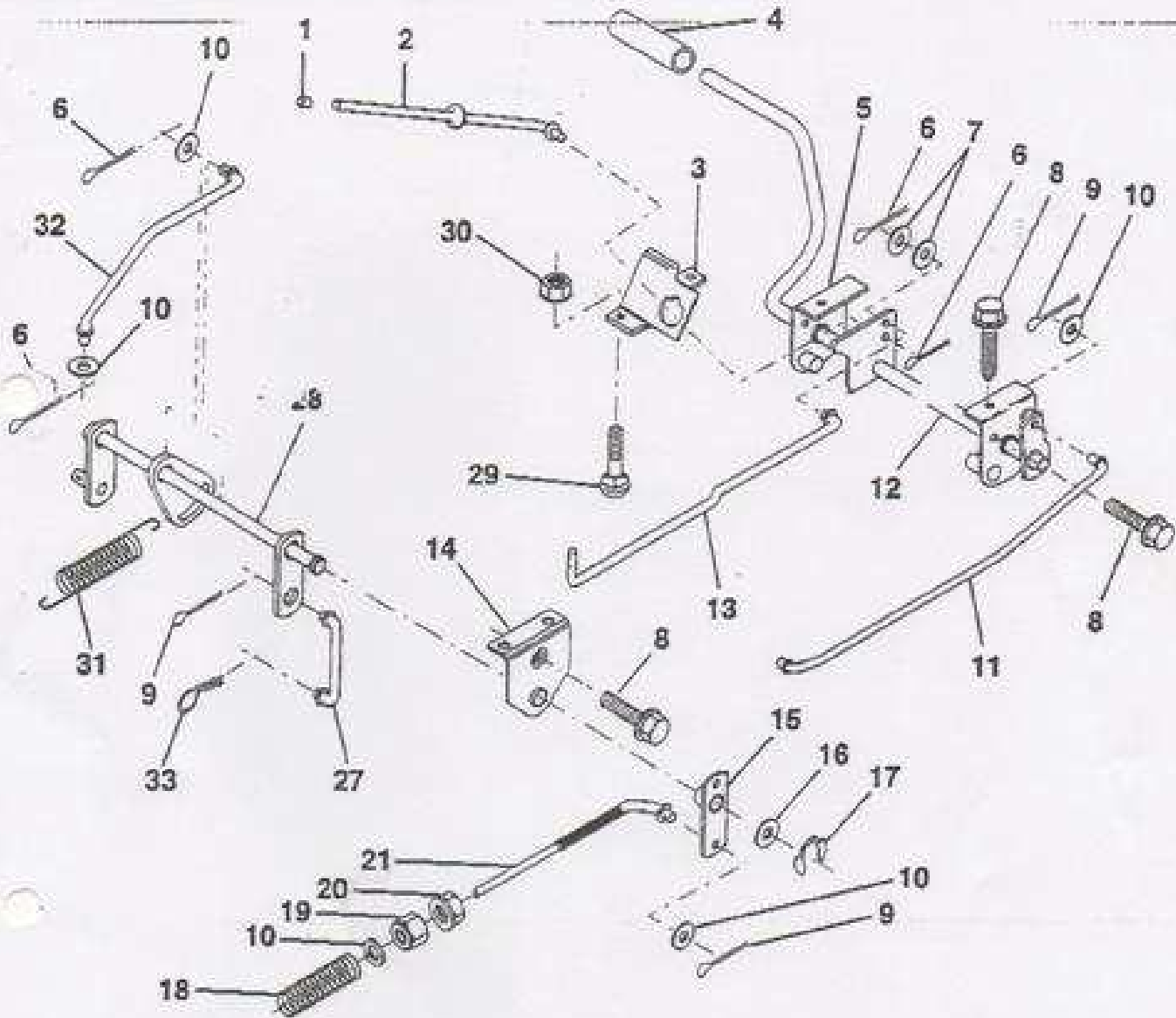
HARDWARE SHOWN LARGER FOR EASIER IDENTIFICATION



# REPAIR PARTS

12 HP 38" TRACTOR - MODEL NO. BL1238TC, PRODUCT NO. 954 00 25-01

## BRAKE / REAR MOWER LIFT ASSEMBLY

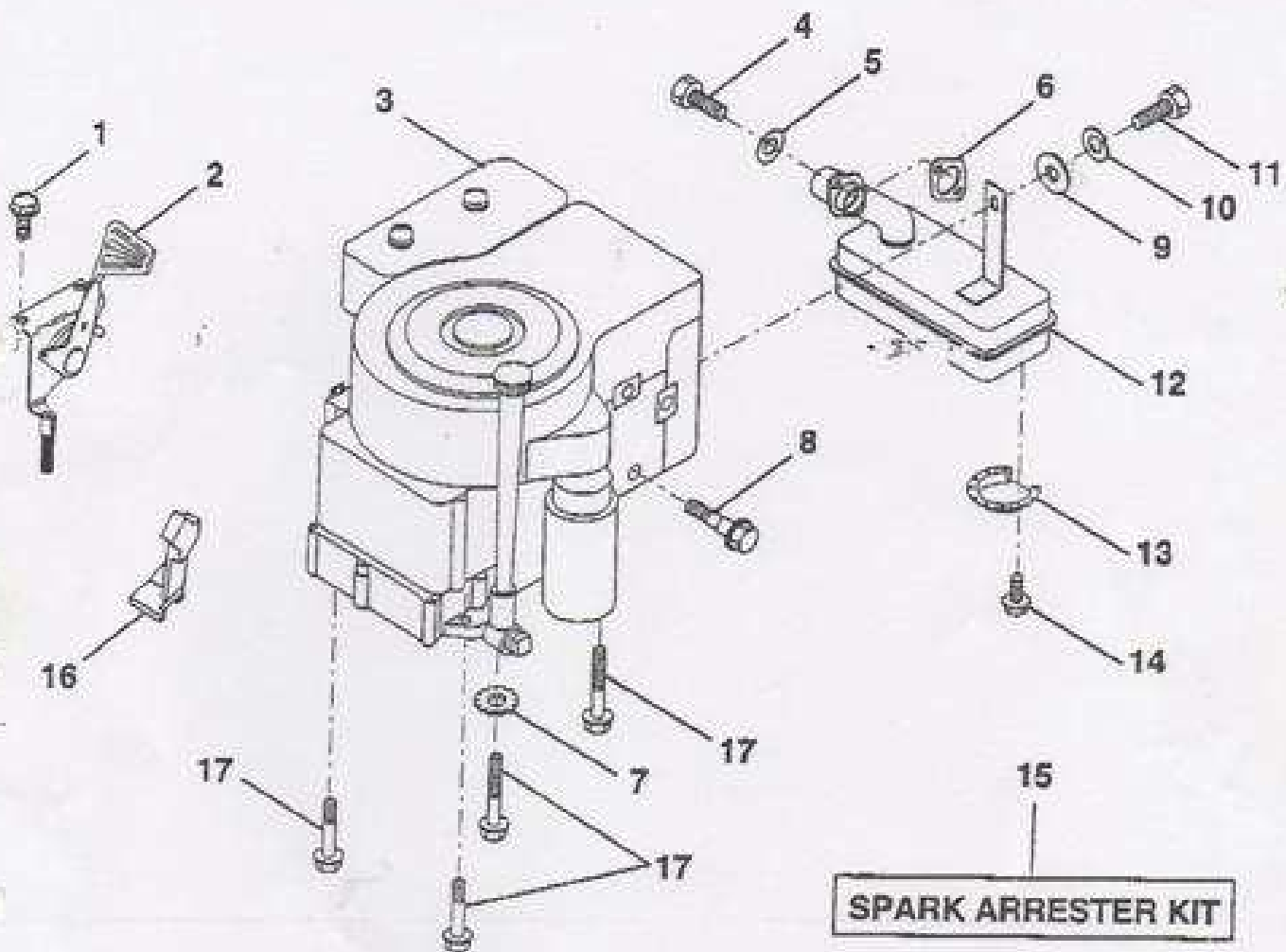


KEY NO.	PART NO.	DESCRIPTION	KEY NO.	PART NO.	DESCRIPTION
1	532071673	Cap, Plunger	15	532133332	Assembly, Brake, Pivot, Arm
2	532123438	Rod, Parking Brake	16	819251816	Washer 25/32 x 1-1/8 x 16 Gauge
3	532123437	Bracket, Parking Brake	17	812000034	Ring, Klip
4	532124872	Cover, Pedal	19	532106888	Spring, Brake Rod
5	532132205	Bracket, Clutch/Brake Pedal, L.H.	19	873350600	Nut, Hex, Jam 3/8-16 UNC
6	876020312	Pin, Cotter 3/32 x 3/4	20	873680600	Nut, Crownlock 3/8-16 UNC
7	819131016	Washer 13/32 x 5/8 x 16 Gauge	21	532131460	Rod, Brake, Rear
8	817490508	Screw, Hex Head, Thd., Roll 5/16-18 x 1/2	27	532136780	Link, Lift Rear
9	876020412	Pin, Cotter 1/8 x 3/4	28	532140777	Assembly, Rear Mower Lift
10	819131318	Washer 13/32 x 13/16 x 16 Gauge	29	872110506	Bolt, Carriage 5/16-16 UNC x 3/4
11	532123543	Rod, Brake, Front	30	873510500	Nut, Hex, Keps 5/16-16 UNC
12	532139934	Assembly, Clutch/Brake Pedal	31	532133095	Spring, Counterbalance
13	532123394	Rod, Clutch	32	532133721	Link, Lift Lever
14	532121978	Bracket, Lift Shaft	33	532124670	Spring, Retainer

HARDWARE SHOWN LARGER FOR EASIER IDENTIFICATION

# REPAIR PARTS

12 HP 38" TRACTOR - MODEL NO. BL1238TC, PRODUCT NO. 954 00 25-01  
ENGINE / THROTTLE



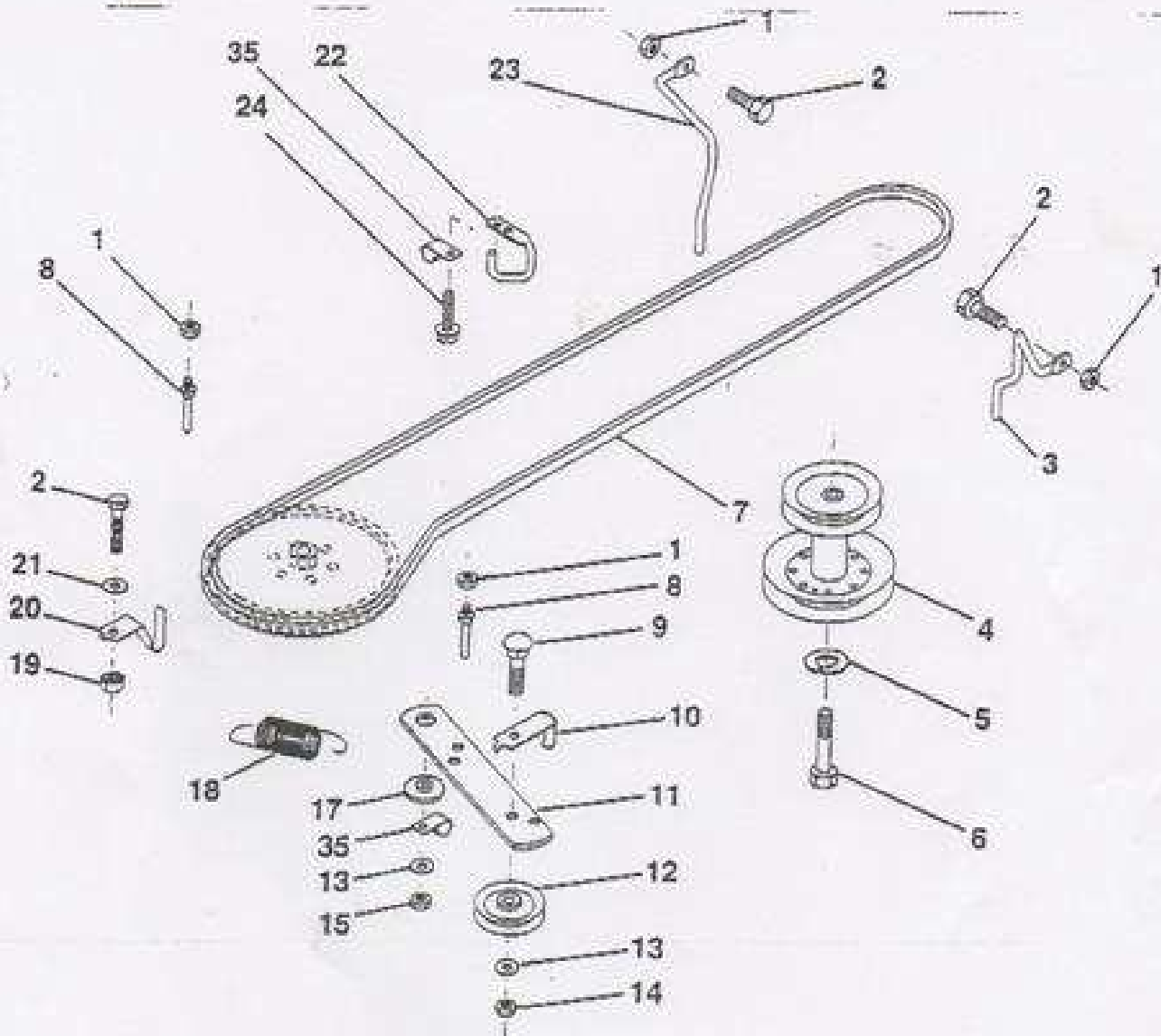
KEY NO.	PART NO.	DESCRIPTION
1	817060408	Screw, Hex Thd. Cut 1/4-20 x 1/2
2	532133025	Control, Throttle
3	.....	Engine, Briggs and Stratton Model No. 283707
4	871070512	Screw, Hex, Cap 5/16-18 x 3/4
5	810040500	Washer, Lock Heavy Helical Spring 5/16
6	532125593	Gasket, Exhaust
7	811050600	Washer Lock Hex Ext. Tooth 3/8
8	532121094	Bolt, Shoulder 5/16
9	819101216	Washer 5/16 x 3/4 x 16

KEY NO.	PART NO.	DESCRIPTION
10	810040400	Washer, Lock Heavy Helical Spring 1/4
11	.....	Bolt, Hex (Order from 6 & 8)
12	532137437	Muller
13	532144986	Deflector, Muller
14	817030808	Screw, Spiderloc
15	582137180	Arrester, Spark (Optional equipment)
16	532127951	Stop, Throttle
17	817490624	Screw, Hex Wsh Hd Thdrol 3/8-16 x 1-1/2

HARDWARE SHOWN LARGER FOR EASIER IDENTIFICATION

# REPAIR PARTS

12 HP 38" TRACTOR - MODEL NO. BL1238TC, PRODUCT NO. 954 00 25-01  
GROUND DRIVE



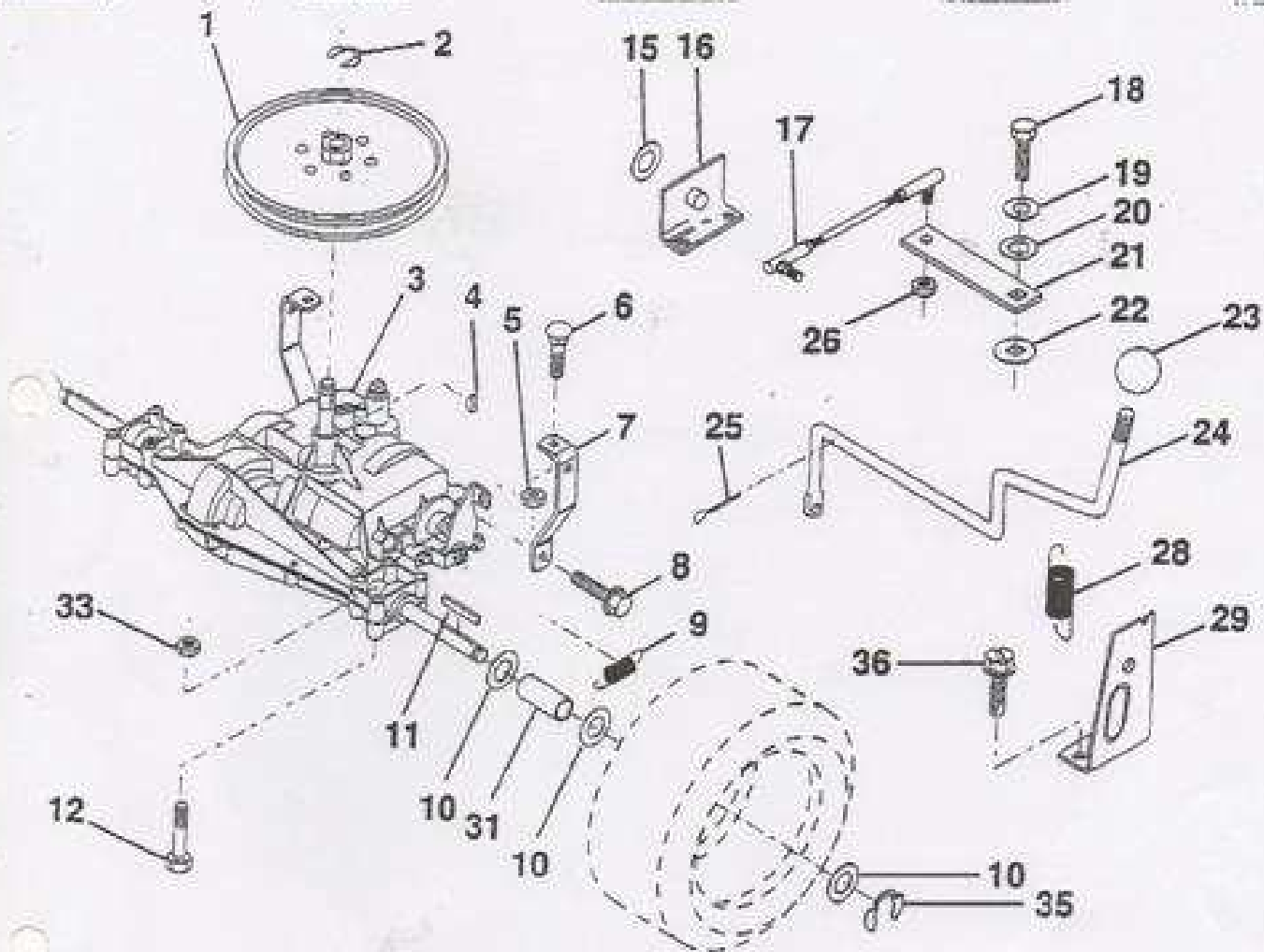
KEY NO.	PART NO.	DESCRIPTION
1	873680500	Nut, Crownlock 5/16-18
2	874760512	Bolt, Hex Hd 5/16-18 UNC x 3/4
3	532141341	Keeper, Mower Drive, R. H.
4	532138029	Pulley, Engine
5	810040700	Washer, Lock 7/16
6	871170744	Bolt Hex 7/16-20 Gr. 5
7	532124525	Traction, V-Belt Drive
8	532123405	Keeper, T/A Ground Drive Belt
9	872140612	Bolt, Carr. 3/8-16 UNC x 1-1/2
10	532123396	Keeper, Belt Ground Drive Idler
11	532140911	Arm, Ground Drive Clutch
12	532123674	Idler, Flat

KEY NO.	PART NO.	DESCRIPTION
13	819131316	Washer 13/32 x 13/16 x 16 Ga.
14	873690600	Nut, Centerlock 3/8-16 UNC
15	873680600	Nut, Crownlock 3/8-16 UNC
17	532122052	Spacer, Retainer
18	532131459	Spring Extension
19	873510500	Nut, Keps 5/16-18 UNC
20	532139919	Keeper, T/A Rear
21	819111016	Washer 11/32 x 5/8 x 16 Ga.
22	532123404	Keeper, Frame Ground Drive Belt
23	532142240	Keeper Belt LH
24	817720408	Screw, Thdcut 1/4-20 x 1/2
35	532126472	Clip, Insulated

HARDWARE SHOWN LARGER FOR EASIER IDENTIFICATION

# REPAIR PARTS

12 HP 38" TRACTOR - MODEL NO. BL1238TC, PRODUCT NO. 954 00 25-01  
TRANSAXLE

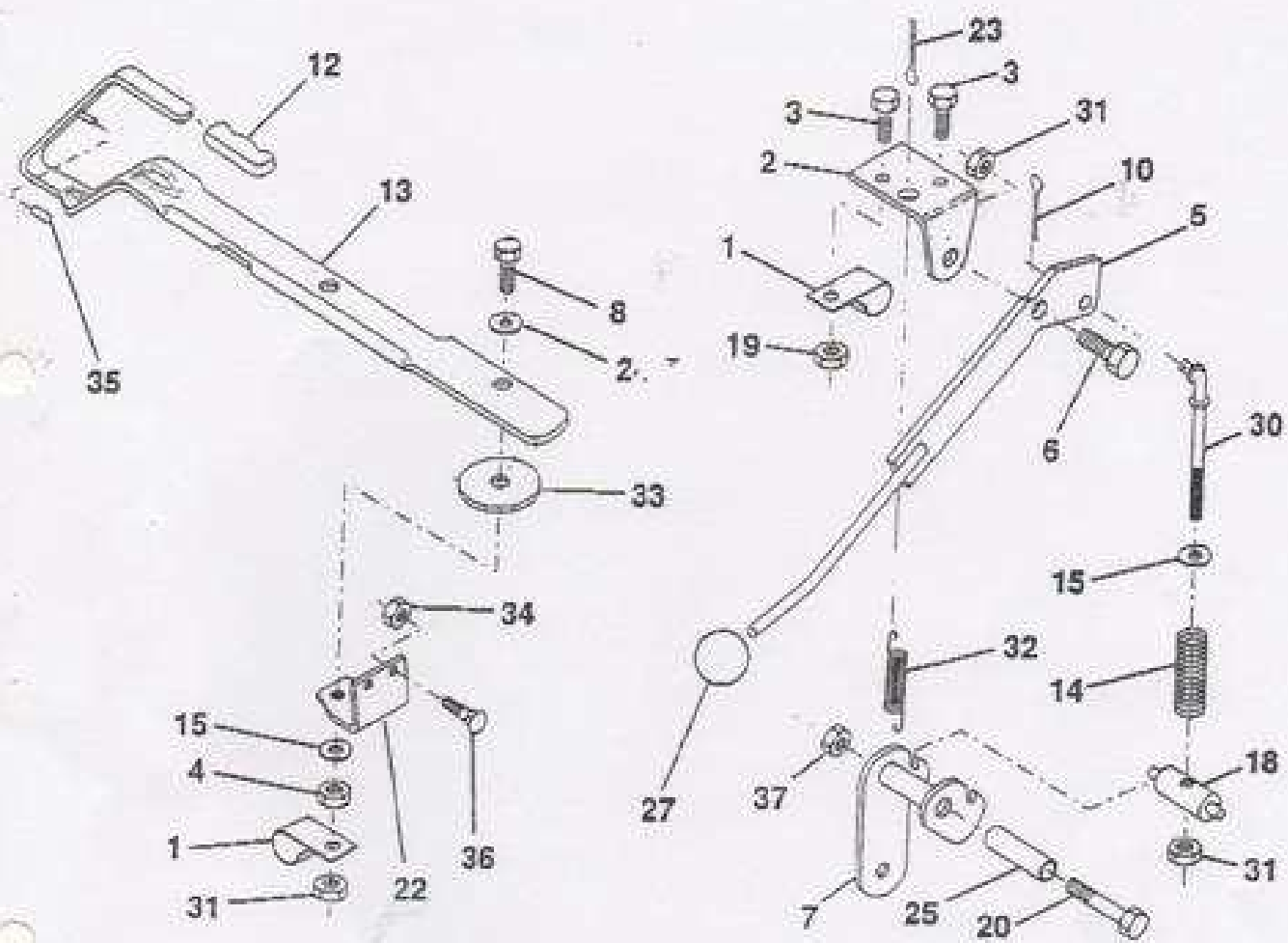


KEY NO.	PART NO.	DESCRIPTION	KEY NO.	PART NO.	DESCRIPTION
1	532123385	Pulley	18	871040412	Bolt, Fin Hex
2	812000028	Ring, Retainer	19	810040400	Washer, Lock 1/4
3	-----	Transaxle, Dana 6-Speed Model # D4360-79	20	819091210	Washer 9/32 x 3/4 x 10 Ga.
4	532125096	Key, Woodruff #9	21	532123539	Arm, Shift
5	873680500	Nut, Crownlock 5/16-18	22	532105701	Washer, Shift Plate
6	872140506	Bolt, Carriage 5/16-18 UNC x 3/4	23	532121274	Knob
7	532123378	Strap, Torque	24	532128215	Shift Rod
8	817490512	Screw 5/16-18 x 3/4	25	876020416	Pin, Cotter 1/8 x 1
9	532110422	Spring, Brake	26	873810500	Nut, Hex Nylon
10	532121749	Washer 25/32 x 1-1/4 x 16 Ga.	28	532128085	Extension, Spring
11	532123583	Key, Square	29	532128084	Support Handle Shift RH
12	874780644	Bolt, Fin Hex 3/8-16 x 2-3/4	31	532109502	Spacer, Split
15	819171616	Washer 17/32 x 1 x 16 Ga.	33	873680600	Nut, Crownlock 3/8-16
16	532124600	Support Handle Shift LH	35	812000001	E-Ring
17	532123632	Link, Shift	36	817720408	Screw, Thread 1/4-20 x 1/2

HARDWARE SHOWN LARGER FOR EASIER IDENTIFICATION

# REPAIR PARTS

12 HP 38" TRACTOR - MODEL NO. BL1238TC, PRODUCT NO. 954 00 25-01  
MOWER LIFT LEVER



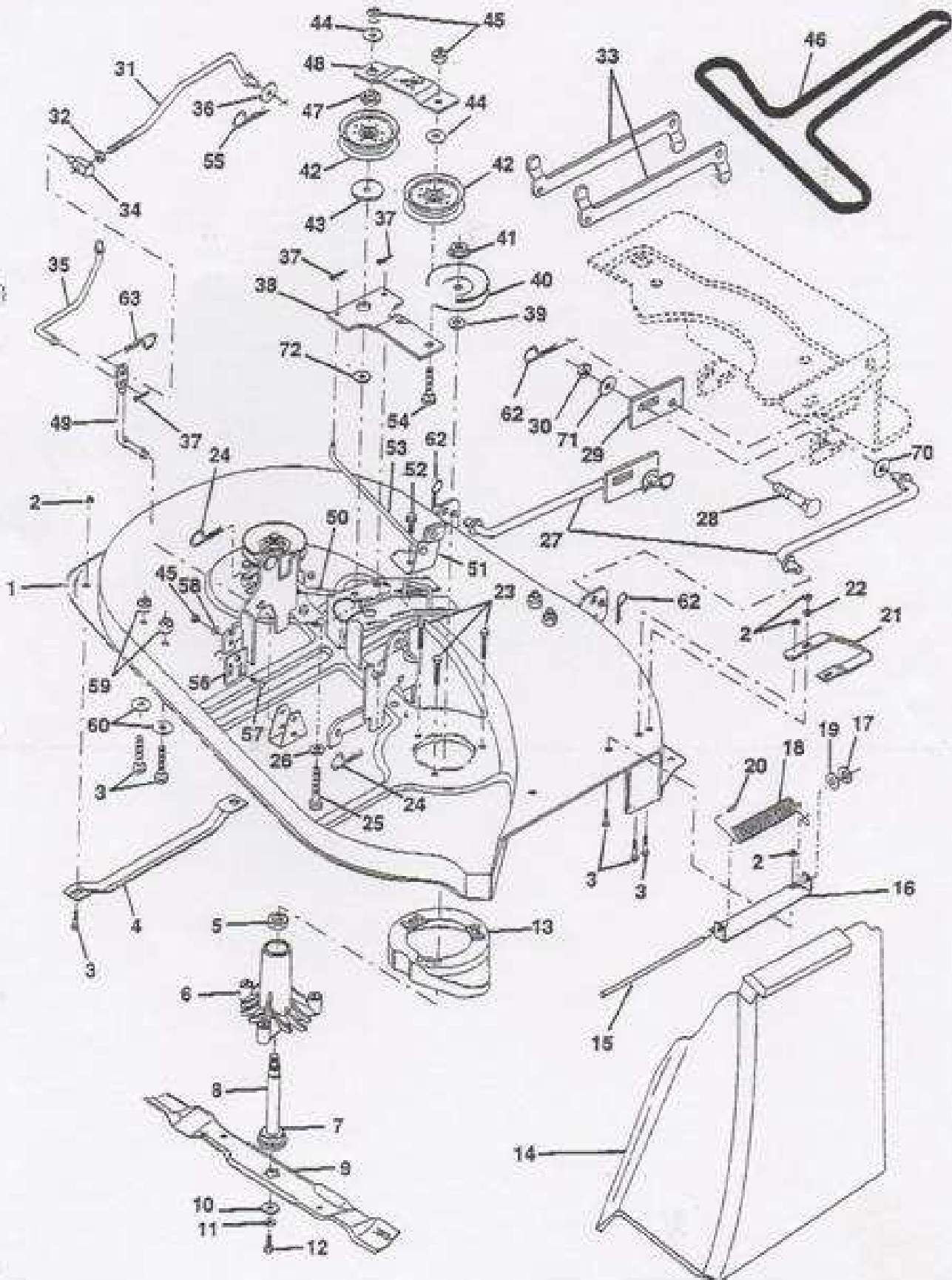
KEY NO.	PART NO.	DESCRIPTION
1	532126470	Clip, Insulated
2	532122018	Bracket, Mower Clutch
3	871110408	Bolt, Hex Hd, Fin. 1/4-20 UNC x 1/2
4	873800600	Nut, Lock Hex W/Ins. 3/8-16 UNC
5	532145187	Assembly, Clutch Lever
6	532106451	Bolt, Shoulder
7	532141435	Assembly, Mower Clutch Arm
8	874930624	Bolt, Hex Head 3/8-16 UNC x 1-1/2
9	876020412	Pin, Cotter 1/8 x 3/4
10	532122027	Handle, Lift Lever
11	532138658	Assembly, Lift Handle
12	532133939	Spring, Compression
13	819131616	Washer 13/32 x 1 x 11 Ga.
14	532135107	Trunnion, Threaded 3/8-16
15	873680400	Nut, Crownlock 1/4-20

KEY NO.	PART NO.	DESCRIPTION
16	20	874760644 Bolt, Hex Head Fin 3/8-16 UNC x 2-3/4
17	22	532132561 Bracket, Lift Lever
18	23	876020312 Pin, Cotter 3/32 x 3/4
19	24	532007672 Washer 25/64 x 1-1/4 x 12 Ga.
20	25	532121933 Tube, Spacer
21	27	532121486 Knob
22	30	532135039 Rod, Tension, Clutch
23	31	873800600 Nut, Crownlock 3/8-16 UNC
24	32	532133435 Spring, Extension, Return
25	33	532062333 Washer
26	34	873800500 Nut, Lock Hex W/Wsh. 5/16-18
27	35	532133603 Cap, Vinyl, Red
28	36	872140506 Bolt, Carriage 5/16-18 x 3/4
29	37	873800600 Nut Lock Hex W/Ins. 3/8-16

HARDWARE SHOWN LARGER FOR EASIER IDENTIFICATION

# REPAIR PARTS

12 HP 38" TRACTOR - MODEL NO. BL1238TC, PRODUCT NO. 954 00 25-01  
MOWER DECK



## REPAIR PARTS

12 HP 38" TRACTOR - MODEL NO. BL1238TC, PRODUCT NO. 954 00 25-01  
MOWER DECK

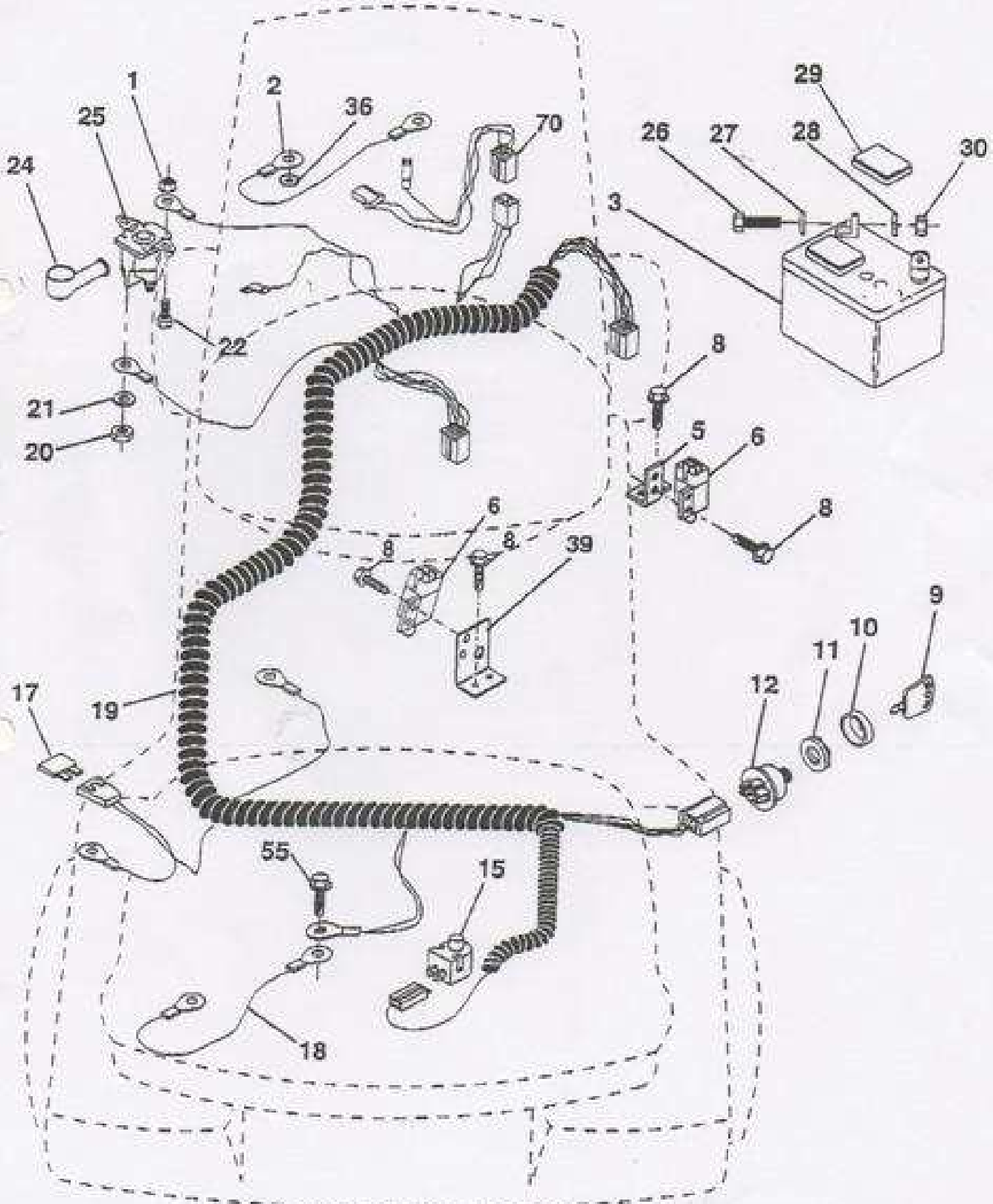
KEY NO.	PART NO.	DESCRIPTION	KEY NO.	PART NO.	DESCRIPTION
1	532142830	Mower Deck Assembly	36	819131316	Washer 13/32 x 13/16 x 16 Gauge
2	873680500	Nut, Crownlock 5/16-18	37	876020312	Pin, Cotter 3/32 x 3/4
3	872140506	Bolt, Carga 5/16-18 x 3/4	38	532133840	Idler Arm
4	532125074	Runner, L.H.	39	532129963	Washer .150 Thick
5	532110485	Bearing	40	532129208	Pulley, Mandrel
6	532128774	Housing, Mandrel	41	532137266	Nut, Flangelock 9/16
7	532129895	Bearing	42	532121318	Pulley, Flat Idler
	532137645	Shaft and Bearing As. D/W Mandrel (Includes Key Number 7)	43	532122052	Spacer, Retainer
9	532138497	Blade, 38" High Lift	44	819131612	Washer 13/32 x 1 x 12 Gauge
10	532140295	Washer, Hardened	45	873680600	Nut, Crownlock 3/8-16
11	810030800	Washer, Lock 3/8	46	532126520	Belt
12	532850857	Bolt, Hex 3/8-24 x 1-1/4 Grade 8	47	532133502	Spacer, Idler Arm
13	532140329	Stripper, Mower, Vented	48	532133503	Stiffener, Idler Arm
14	532108736	Shield, Deflector	49	532133551	Rod, Pivot
15	532106735	Rod, Hinge	50	532131289	Rod, Brake, L.H.
16	532137607	Bracket Assembly, Deflector	51	532130840	Brake Assembly
17	532110452	Pushnut	52	817490512	Screw, Hex Washer Hd, Thdrol 5/16-18 x 3/4
18	532123713	Spring, Deflector	53	532131288	Rod, Brake, R.H.
19	819111016	Washer 11/32 x 5/8 x 16 Gauge	54	872110814	Bolt, Carga 3/8-16 x 1-3/4 Gr. 5
20	532105304	Cap, Sleeve	55	532124961	Spring, Retainer
21	532128772	Runner, R.H.	56	532136782	Plate Adj. Link Rear LH
22	819111216	Washer 11/32 x 3/4 x 16 Gauge	57	872140808	Bolt Rdhd Sqnk 3/8-16 Unc x 1
23	532138776	Screw, Thdrol Hex Head Zinc MWR	58	819131212	Washer 13/32 x 3/4 x 12 Ga.
24	532124870	Retainer, Spring	59	873680500	Nut Crownlock 5/16-18
25	874600636	Bolt, Carga 3/8-16 x 2-1/4	60	819111112	Washer 11/32 x 11/16 x 16 Ga.
26	819131612	Washer 13/32 x 1 x 12 Gauge	62	532124660	Retainer Spring
27	532139756	Link Assembly, Front	63	532124788	Spring, Retainer
28	872140608	Bolt, Rdhd Sqnk 3/8 - 16 x 1	70	819162016	Washer 1/2 x 1-1/4 x 16 Ga.
	532139757	Plate Slide Link	71	819131610	Washer Flat 13/32 x 1 x 10 Ga.
	873680600	Nut, Crownlock 3/8-16	72	532133943	Washer Hardened
31	532140915	Clutch Rod, Primary	--	532130794	Mandrel Assembly (Includes Key Numbers 5-8, 10-12, 39 and 41)
32	873350800	Nut, Hex, Jam 3/8-16	--	532144975	Mower Deck, Complete
33	532132559	Arm, Suspension, Rear			
34	532133604	Trunnion 3/8-16			
35	532132554	Clutch Rod, Secondary			

HARDWARE SHOWN LARGER FOR EASIER IDENTIFICATION

# REPAIR PARTS

12 HP 38" TRACTOR - MODEL NO. BL1238TC, PRODUCT NO. 954 00 25-01

## ELECTRICAL





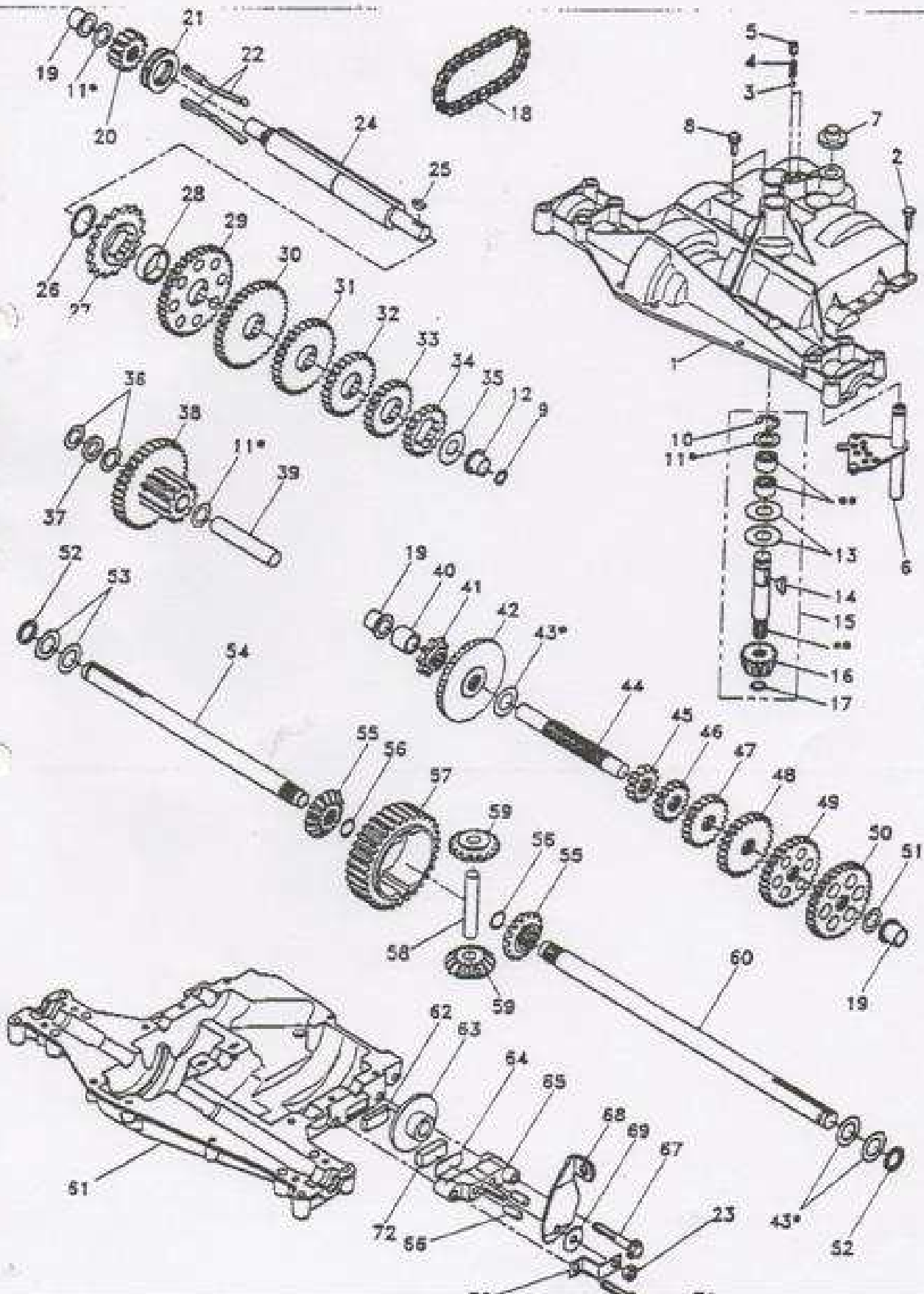
**EPAIR PARTS****12 HP 38" TRACTOR - MODEL NO. BL1238TC, PRODUCT NO. 954 00 25-01****ELECTRICAL**

KEY NO.	PART NO.	DESCRIPTION
1	873640400	Nut, Hex Keys 1/4-20
2	532108423	Assembly, Cable
3	532133909	Battery
5	532108236	Bracket, Switch
6	532109553	Switch, Interlock 4 terminal
8	817021008	Screw, Tap Hex Hd.
9	532140401	Key, Molded
10	532141226	Cover, Key Ignition
11	532140400	Nut, Ignition
12	532144921	Switch, Ignition
15	532121305	Switch, Plunger
17	532108824	Fuse
18	532128353	Assembly, Cable
19	532143131	Harness, Ignition
20	873350400	Nut, Hex Jam 1/4-20
21	810090400	Washer, Lock 1/4
22	871110408	Bolt, Fin Hex 1/4-20 UNC x 1/2
24	532131563	Cover, Terminal
25	532138406	Solenoid
26	874760412	Bolt, Hex Hd. 1/4-20 UNC x 3/4
27	819091016	Washer 9/32 x 5/8 x 16
28	810040400	Washer, Lock 1/4
29	532121264	Cap, Battery
30	873220400	Nut, Fin Hex 1/4-20 UNC
36	811150400	Washer Lock Int. Tooth 1/4
39	532141735	Bracket Switch Clutch
55	817490508	Screw Thdrol 5/16-18 x 1/2
70	532140413	Harness, Engine

**HARDWARE SHOWN LARGER FOR EASIER IDENTIFICATION**

# REPAIR PARTS

12 HP 38" TRACTOR - MODEL NO. BL1238TC, PRODUCT NO. 954 00 25-01  
TRANSAXLE DANA - MODEL NUMBER 4360-79



## REPAIR PARTS

12 HP 38" TRACTOR - MODEL NO. BL1238TC, PRODUCT NO. 954 00 25-01

TRANSAXLE DANA - MODEL NUMBER 4360-79

KEY PART NO. NO.	DESCRIPTION	KEY PART NO. NO.	DESCRIPTION
1 532142671	Housing, Upper	41 532105928	Sprocket, 9 Teeth
2 532002274	Screw, Self-Tapping, Large 1/4-20 x .734	42 532110084	Gear, Bevel, 42 Teeth
3 532134400	Ball, Detent	43 532134394	* Assembly, Kit, Shim .750 Shaft
4 532105904	Spring, Detent	44 532120473	Shaft, Drive
5 532105905	Screw, Set	45 532142678	Gear, Spur, 12 Teeth
6 532139235	Kit, Shifter Assembly	46 532142679	Gear, Spur, 15 Teeth
7 532134399	Boot, Shifter	47 532120407	Gear, Spur, 20 Teeth
532134791	Screw, Self-Tapping, with Sealer	48 532106589	Gear, Spur, 25 Teeth
103241	Square Ring	49 532120408	Gear, Spur, 28 Teeth
10 532142672	Ring, Retaining	50 F 05937	Gear, Spur, 31 Teeth
11 532134793	* Assembly, Kit, Shim .625 Shaft	51 532002226	Washer, Plain .632 x 1.00 x .080
12 532142673	Bearing, Flange	52 532134401	Washer, Neoprene
13 532120415	Washer, Plain .632 x 1.38 x .046	53 532002264	Washer, Plain .758 x 1.25 x .031
14 532142674	Key, Woodruff, #9	54 532120474	Axle, L.H.
15 532138234	Assembly, Kit, Input Shaft	55 532110081	Gear, Miter, 15 Teeth
16 532110078	Pinion, Bevel, 14 Teeth	56 532105941	Ring, Retaining
17 532105909	Ring, Retaining	57 532110071	Gear, Spur, 32 Teeth
18 532105910	Chain, 24 Pitches	58 532120952	Shaft, Cross
19 532105911	Bearing, Flange	59 532110082	Gear, Miter, 15 Teeth
20 532142675	Gear, Spur, 14 Teeth	60 532123908	Axle, R.H.
21 532138246	Collar, Clutch	61 532142680	Housing, Lower
22 532138236	Assembly, Kit, Clutch Keys	62 532120961	Puck, Friction
23 873810500	Locknut 5/16-24	63 532007294	Disc, Brake
24 532142676	Shaft, Intermediate	64 532108969	Spacer
25 532002244	Key, Woodruff, #61	65 532120953	Jaw, Brake
26 532105916	Ring, Retaining	66 532120954	Pin, Dowel
27 532120470	Sprocket, 18 Teeth	67 532134799	Screw, Self-Tapping, Large 5/16-18 x 2.25
28 532110070	Spacer	68 532138244	Lever, Actuating
29 532142677	Gear, Spur, 37 Teeth	69 532108996	Washer, Plain .321 x 1.00 x .055
30 532142681	Gear, Spur, 35 Teeth	70 532120956	Bracket, Anti-Rotation
532120405	Gear, Spur, 30 Teeth	71 532106596	Screw, Self-Tapping, Large 5/16-18 x 1.44
532108980	Gear, Spur, 25 Teeth	72 532120951	Puck, Friction
33 532120406	Gear, Spur, 22 Teeth	73 532120416	Grease
34 532134796	Gear, Spur, 19 Teeth		
35 532105925	Washer, Plain .640 x 1.37 x .061		
36 532002232	Washer, Plain .632 x 1.00 x .026		
37 532108978	Spacer .630 x 1.00 x .169		
38 532110079	Assembly, Gear, Combination of 12 Teeth and 35 Teeth		
39 532124639	Shaft, Idler		
40 532120472	Spacer .635 x .875 x .755		

\* Use in combinations to maintain proper clearances

\*\* Order Key No. 15

NOTE: All component dimensions given in U.S. inches  
1 inch = 25.4 mm