

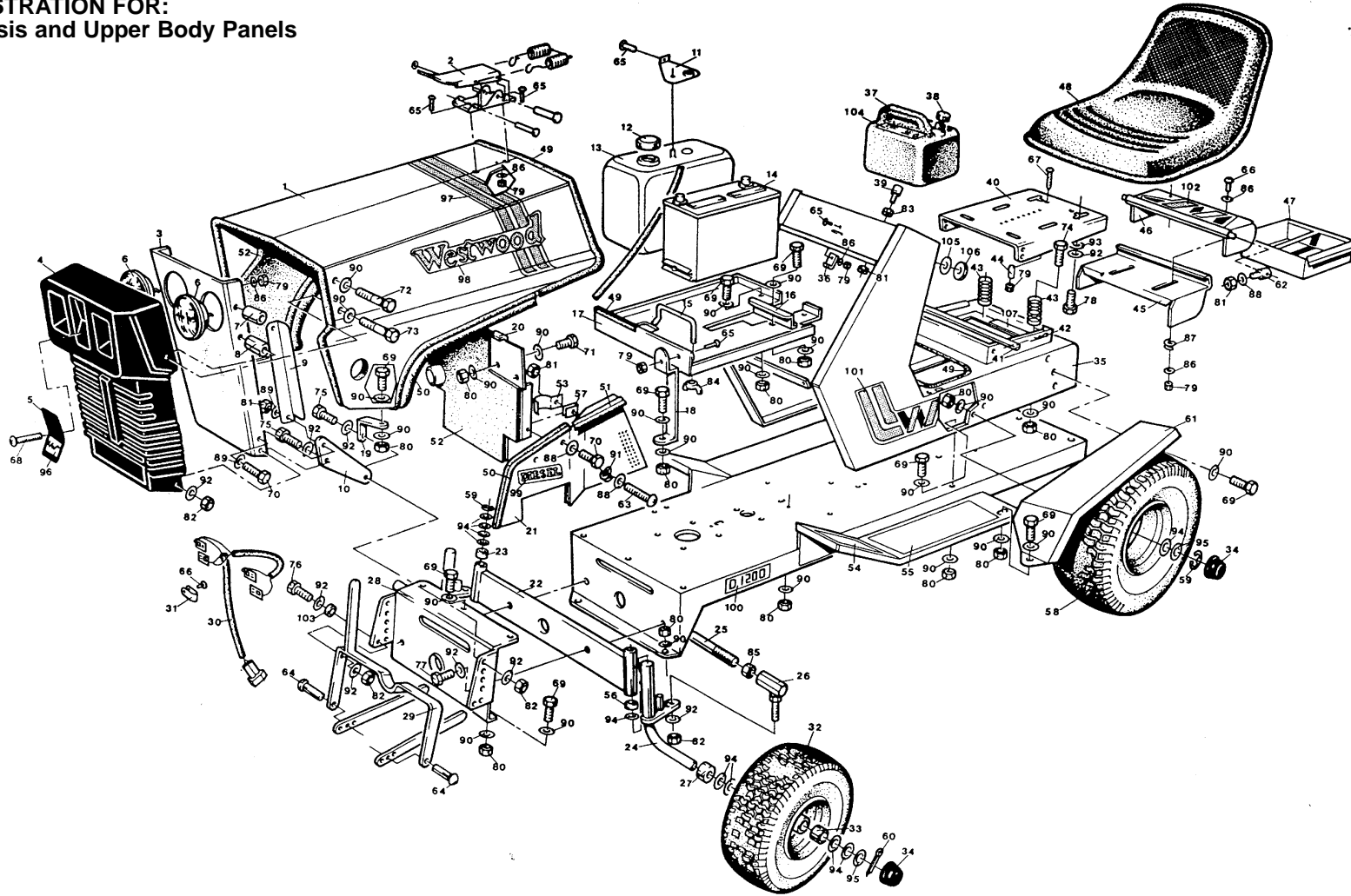


WESTWOOD GARDEN TRACTORS 1988 PARTS CATALOGUE

CONTENTS

| | PAGE No. |
|--|-----------------|
| TRACTOR CHASSIS & UPPER BODY PANELS | 2 – 4 |
| STEERING, ENGINE, GEAR CHANGE & ELECTRICAL CONTROLS | 5 – 7 |
| TRACTOR CHASSIS, PTO, BRAKE & CUTTER ENGAGE CONTROLS | 8 – 10 |
| 30" SIDE DISCHARGE CUTTER DECK | 11 – 12 |
| 36" STANDARD CUTTER DECK | 13 – 14 |
| 36" AND 42" CONTRA-ROTATING CUTTER DECK | 15 – 16 |

**PARTS ILLUSTRATION FOR:
Tractor Chassis and Upper Body Panels**



PARTS LIST FOR: Tractor Chassis and Upper Body Panels

| Item | Part No | Description | Qty |
|------|---------|--------------------------------------|-----|
| 1 | 3633 | Bonnet Assembly (T1600 only) | 1 |
| | 3634 | Bonnet Assembly (S Series) | 1 |
| | 3661 | Bonnet Assembly (D1200 only) | 1 |
| | 3681 | Bonnet Assembly (T Series) | 1 |
| 2 | 1490 | Bonnet Catch Assembly | 1 |
| 3 | 3526 | Grille Plate (Back) | 1 |
| 4 | 2344 | Grille (S Series) | 1 |
| | 1492 | Grille (T Series) | 1 |
| 5 | 1495 | Grille Plate (Front) | 1 |
| | 3749 | Grille Finisher (Plastic) (S Series) | 1 |
| 6 | 3727 | Headlamp | 2 |
| 7 | 3527 | Spacer | 2 |
| 8 | 3528 | Spacer | 2 |
| 9 | 3626 | Exhaust Heat Shield | 1 |
| 10 | 3958 | Bracket, Grille Mounting | 2 |
| 11 | 3958 | Bracket, Fuel Tank | 1 |
| 12 | 3963 | Cap, Fuel Tank | 1 |
| 13 | 3960 | Fuel Tank | 1 |
| 14 | 1209 | Battery Type 138 | 1 |
| 15 | 3410 | Bracket, Grille Mounting | 2 |
| 16 | 3411 | Battery Clamp Bracket | 1 |
| 17 | 3416 | Battery/Fuel Tank Tray | 1 |
| 18 | 3407 | Support Bracket | 1 |
| 19 | 3466 | Support Bracket (Side Panels) | 2 |
| 20 | 3832 | Rear Engine Cowling (D1200 only) | 1 |
| 21 | 3544 | Side Panel LH (D1200 only) | 1 |
| | 3545 | Side Panel RH (D1200 only) | 1 |
| 22 | 3328 | Axle Beam | 1 |
| 23 | 1980 | Spacer, Stub Axle | 2 |
| 24 | 2287 | Stub Axle LH | 1 |
| | 2291 | Stub Axle RH | 1 |
| 25 | 1550 | Track Rod | 1 |
| 26 | 1551 | Ball Joint | 1 |
| 27 | 1980 | Spacer, Front Wheel | 2 |
| 28 | 2249 | Chassis Front Bracket | 1 |

| Item | Part No | Description | Qty |
|------|---------|---|-----------|
| 29 | 2329 | Hitching Bracket (30" Cutter Decks) | 1 |
| | 3944 | Hitching Bracket (42" Cutter Decks) | 1 |
| 30 | 3512 | Headlamp Wiring Harness | 1 |
| 31 | 3716 | Cable Clip | 1 |
| 32 | 1749 | Front wheel Assembly (S Series) | 2 |
| | 1541 | Front Wheel Rim (S Series) | 2 |
| | 1163 | Front Tyre (S Series) | 2 |
| | 1201 | Front Inner Tube (S Series) | 2 |
| | 2796 | Front Wheel Assembly (T Series) | 2 |
| | 1541 | Front Wheel Rim (T Series) | 2 |
| | 1539 | Front Tyre (T Series) | 2 |
| | 1540 | Front Inner Tube (T Series) | 2 |
| 33 | 3354 | Bush Oilite | 4 |
| 34 | 4230 | Hub Cap | 4 |
| 35 | 3658 | Body Assembly | 1 |
| 36 | 3519 | Bonnet Catch Hook | 1 |
| 37 | 1658 | Fuel Can | 1 |
| 38 | 1659 | Fuel Can Cap | 1 |
| 39 | 2963 | Gear Lever Stop Pin | 1 |
| 40 | 2912 | Seat Plate | 1 |
| 41 | 2067 | Seat Plate Pin | 1 |
| 42 | 1225 | 'R' Clip | 1 |
| 43 | 2808 | Seat Spring | 2 |
| 44 | 3290 | Boss, Seat Spring Retaining | 2 |
| 45 | 3532 | PTO Flap (Inner) | 1 |
| 46 | 3531 | PTO Flap (Outer) | 1 |
| 47 | 2919 | Tool Tray | 1 |
| 48 | 1660 | Seat | 1 |
| 49 | 4229 | Beading | PER FOOT |
| 50 | 3584 | Rubber Seal (Top Trim) (D1200 only) | PER FOOT |
| 51 | 3583 | Rubber Seal (Side Trim) (D1200 only) | PER FOOT |
| 52 | 2792 | Sound Insulation (D1200 only) | PER SHEET |

| Item | Part No | Description | Qty |
|------|---------|------------------------------------|-----|
| 53 | 1818 | Cable Clip | 2 |
| 54 | 3763 | Footgrip (Small) | 2 |
| 55 | 3762 | Footgrip (Large) | 2 |
| 56 | 3355 | Bush Flange 3/4" ID x 1 1/4" long | 4 |
| 57 | 4118 | 'J' Nut Size 12 | 2 |
| 58 | 1746 | Rear Wheel Assembly (S Series) | 2 |
| | 1662 | Rear Wheel Rim (S Series) | 2 |
| | 1747 | Rear Tyre (S Series) | 2 |
| | 1748 | Rear Inner Tube (S Series) | 2 |
| | 1586 | Rear Wheel Assembly (T Series) | 2 |
| | 1662 | Rear Wheel Rim (T Series) | 2 |
| | 1587 | Rear Tyre (T Series) | 2 |
| | 1588 | Rear Inner Tube (T Series) | 2 |
| 59 | 1663 | 'E' Clip | 3 |
| 60 | 1227 | Split Pin 1/8" Dia x 1 3/4" long | 2 |
| 61 | 1501 | Mudguard LH | 1 |
| | 1502 | Mudguard RH | 1 |
| 62 | 3516 | Hinge Pin | 2 |
| 63 | 1338 | Self Tapping Screw No.12 x 1" long | 2 |
| 64 | 3349 | Pin, Hitch Mounting | 2 |
| 65 | 1734 | Machine Screw 2BA x 1/2" long | 5 |
| 66 | 1735 | Machine Screw 2BA x 3/4" long | 2 |
| 67 | 4215 | Machine Screw 2BA x 1 1/4" long | 2 |
| 68 | 3764 | Machine Screw 2BA 2 1/4" long | 1 |
| 69 | 1982 | Setscrew 5/16" UNF x 3/4" long | 22 |
| 70 | 1156 | Setscrew 1/4" UNF x 3/4" long | 2 |
| 71 | 1327 | Bolt 5/16" UNF x 1" long | 2 |
| 72 | 1318 | Bolt 5/16" UNF x 2" long | 2 |
| 73 | 1978 | Bolt 5/16" UNF x 2 1/2" long | 2 |
| 74 | 2014 | Bolt 3/8" UNF x 3/4" long | 2 |
| 75 | 1966 | Bolt 3/8" UNF x 1" long | 4 |
| 76 | 1054 | Bolt 3/8" UNF x 1 1/2" long | 2 |
| 77 | 1267 | Bolt 3/8" UNF x 2 1/2" long | 2 |
| 78 | 2034 | Setscrew 3/8" UNC x 3/4" long | 4 |
| 79 | 1053 | Nut 2BA Nyloc | 10 |



**Mountfield
Westwood**

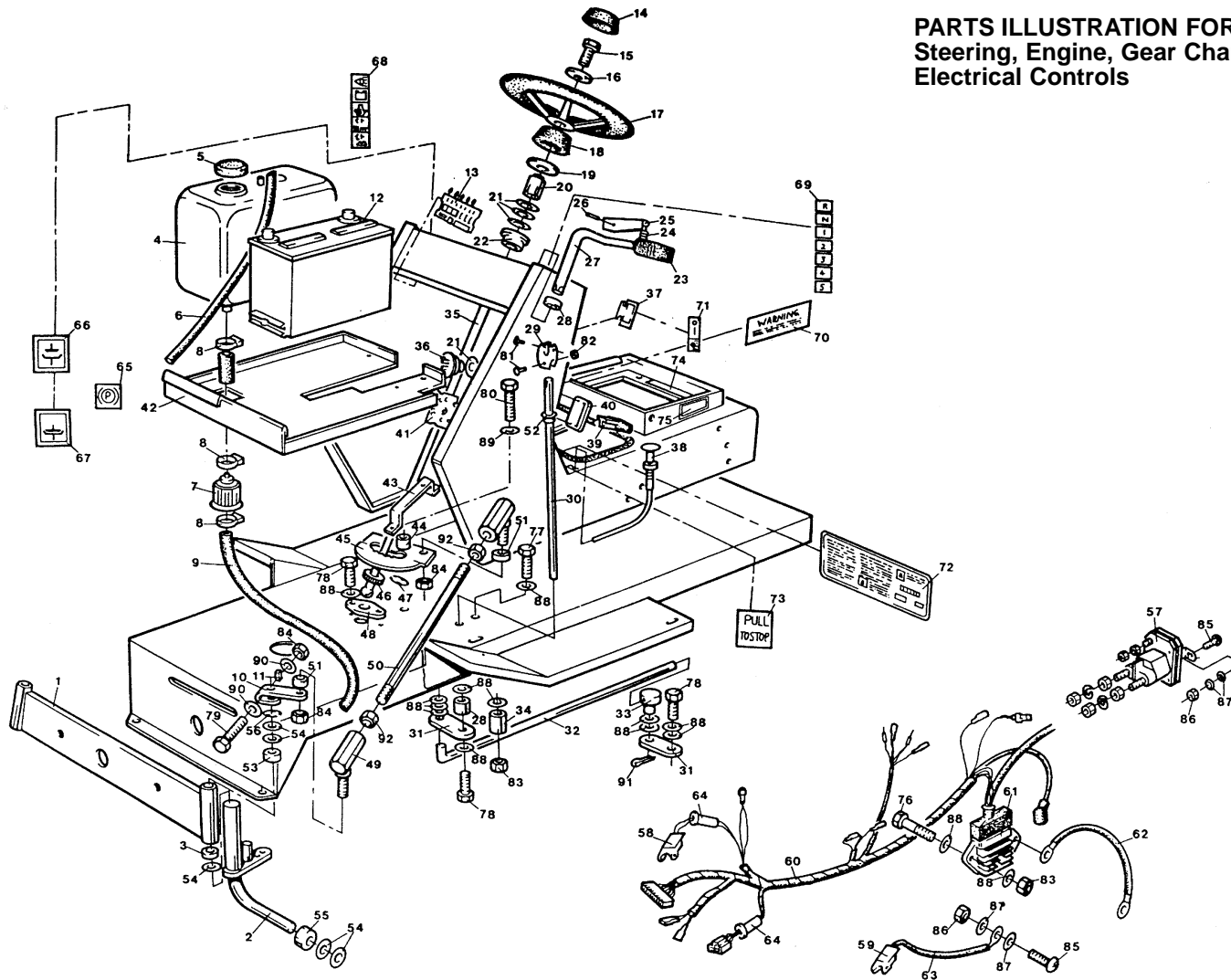
PARTS LIST FOR: Tractor Chassis and Upper Body Panels

| Item | Part No | Description | Qty |
|------|---------|-------------------------------------|------|
| 80 | 1273 | Nut 5/16" UNF Nyloc | 28 |
| 81 | 1270 | Nut 1/4" UNF Nyloc | 5 |
| 82 | 1324 | Nut 3/8" UNF Nyloc | 12 |
| 83 | 3765 | Nut 1/4" UNF Plain | 1 |
| 84 | 3717 | Wing Nut 1/4" UNF | 1 |
| 85 | 1991 | Locknut 1/2" UNF | 2 |
| 86 | 1962 | Washer 2BA | 8 |
| 87 | 1973 | Washer 2BA, Coil Spring | 2 |
| 88 | 1331 | Washer 1/4" Dia (T3L) | 5 |
| 89 | 3620 | Washer 1/4" Dia (T3H) | 4 |
| 90 | 1105 | Washer 5/16" (T3L) | 52 |
| 91 | 3799 | Washer 1/4" Coil Spring | 2 |
| 92 | 1323 | Washer 3/8" Si (T3L) | 22 |
| 93 | 1633 | Washer 3/8" Dia Internal Shakeproof | 4 |
| 94 | 3712 | Shim Washer 20g As reqd. | |
| | 3713 | Shim Washer 16g As reqd. | |
| 95 | 3908 | Hubcap Washer | 4 |
| 96 | 3445 | Logo (Small W) | 1 |
| 97 | 3443 | Bonnet Stripes 'S' Series | 1 |
| | 3421 | Bonnet Stripes 'T' Series | 1 |
| 98 | 3422 | Westwood Bonnet Logo | 2 |
| | 3423 | Westwood Bonnet Logo (T1600 only) | 2 |
| 99 | 3448 | 'DIESEL' Logo (D1200 only) | 2 |
| 100 | 3449 | 'S600' Logo | 2 |
| | 3798 | 'S1100' Logo | 2 |
| | 3446 | 'T1100' Logo | 2 |
| | 3477 | 'T1200' Logo | 2 |
| | 3448 | 'D1200' Logo | 2 |
| | 3451 | 'T1600' Logo | 2 |
| 101 | 3424 | Console Stripe and Logo (LH and RH) | Pair |
| 102 | 3444 | Logo, Large (W) | 1 |
| 103 | 1680 | Spacer | 2 |
| 104 | 3440 | Label 'Safety First' | 1 |
| 105 | 1976 | Washer 5/8" ID x 1" OD | 2 |
| 106 | 2065 | Nut, Ignition Switch | 2 |
| 107 | 3442 | Warning Label 'Switch off Engine' | 1 |

| Item | Part No | Description | Qty |
|------|---------|-------------|-----|
|------|---------|-------------|-----|

| Item | Part No | Description | Qty |
|------|---------|-------------|-----|
|------|---------|-------------|-----|

**PARTS ILLUSTRATION FOR:
Steering, Engine, Gear Change and
Electrical Controls**



PARTS LIST FOR:

Steering, Engine, Gear Change and Electrical Controls

| Item | Part No | Description | Qty |
|------|---------|---|----------|
| 1 | 3328 | Front Axle Beam | 1 |
| 2 | 2287 | LH Stub Axle | 1 |
| | 2291 | RH Stub Axle | 1 |
| 3 | 3355 | Bush Flanged Nylon | 4 |
| 4 | 3960 | Fuel Tank | 1 |
| | 3964 | Fuel Tank (D1200 only) | 1 |
| 5 | 3963 | Cap Fuel Tank | 1 |
| 6 | 2822 | Fuel Pipe (D1200 only) | As reqd. |
| 7 | 2813 | Fuel Filter | 1 |
| 8 | 2828 | Snapper Clip No.8 | 6 |
| 9 | 3677 | Fuel Line | 1 |
| | 3962 | In-Line Fuel Tap | 1 |
| 10 | 2286 | Steering Arm | 1 |
| 11 | 1098 | Woodruff Key No.608 | 1 |
| 12 | 1209 | Battery 12 Volt (Type 138) | 1 |
| 13 | 3587 | Printed Circuit Board | 1 |
| | 3586 | Printed Circuit Board (D1200 only) | 1 |
| 14 | 2059 | Cover Steering Wheel | 1 |
| 15 | 1334 | Bolt 5/16" UNF x 3/4" long | 1 |
| 16 | 4808 | Washer Flat Hardened | 1 |
| 17 | 2367 | Steering Wheel | 1 |
| 18 | 2780 | Steering Wheel Shroud | 1 |
| 19 | 4771 | Steering Wheel Washer | 1 |
| 20 | 4770 | Steering Column Spacer | 1 |
| 21 | 1976 | Washer 5/8" ID x 1" OD | As reqd. |
| 22 | 3539 | Bush Steering Column | 1 |
| 23 | 2649 | Knob | 1 |
| 24 | 2925 | Spring | 1 |
| 25 | 2884 | Gear Lever Latch | 1 |
| 26 | 1457 | Roll Pin 1/8" Dia x 3/4" long | 1 |
| 27 | 2881 | Gear Lever Upper | 1 |
| 28 | 4809 | Spacer 3/4" OD x 33/64" ID x 1/4" thick | As reqd. |
| 29 | 2883 | Knuckle Gear Change | 1 |
| 30 | 2882 | Gear Shaft Lower | 1 |
| 31 | 4718 | Gear Change Lever Plate | 2 |

| Item | Part No | Description | Qty |
|------|---------|---|----------|
| 32 | 4719 | Gear Change (T Series) | 1 |
| | 4720 | Gear Change (S Series) | 1 |
| 33 | 1694 | Swivel | 1 |
| 34 | 3528 | Spacer Gear Stop | 1 |
| 35 | 3475 | Steering Column | 1 |
| 36 | 2703 | Ignition Switch | 1 |
| 37 | 3561 | Switch Headlights | 1 |
| 38 | 3559 | Choke Control (T1600 only) | 1 |
| | 3821 | Stop Control (D1200 only) | 1 |
| 39 | 2010 | Knob | 1 |
| 40 | 4144 | Throttle Plate | 1 |
| | 4216 | Throttle Plate (D1200, T1600 only) | 1 |
| | 4146 | Throttle Plate (S600 only) | 1 |
| 41 | 1507 | Throttle Control (S600, S1100, T1200) | 1 |
| | 1808 | Throttle Control (T1600 only) | 1 |
| | 2794 | Throttle Control (D1200 only) | 1 |
| 42 | 3416 | Battery/Fuel Tray | 1 |
| 43 | 3401 | Bridge, Steering Quadrant | 1 |
| 44 | 3400 | Bush, Steering Quadrant | 1 |
| 45 | 3403 | Steering Quadrant | 1 |
| 46 | 2276 | Steering Gear | 1 |
| 47 | 2589 | Clip 'E' Spring | 2 |
| 48 | 1699 | Steering Column Base | 1 |
| 49 | 1551 | Ball Joint | 2 |
| 50 | 2285 | Drag Link | 1 |
| 51 | 3683 | Spacer, Ball Joint | 2 |
| 52 | 3541 | Bush Gear Change | 2 |
| 53 | 1980 | Stub Axle Spacer | 2 |
| 54 | 3712 | Shim Washers 33mm OD x 49/64" ID x 20G | As reqd. |
| | 3713 | Shim Washers 33mm OD x 49/64" ID x 16G | As reqd. |
| 55 | 1980 | Front Wheel Spacer | 2 |
| 56 | 1663 | Clip, 'E' Spring | 2 |
| 57 | 1530 | Solenoid | 1 |

| Item | Part No | Description | Qty |
|------|---------|---|-----|
| 58 | 2090 | Battery Quick Release Connector – Red | 1 |
| 59 | 2091 | Battery Quick Release Connector – Blue | 1 |
| 60 | 3457 | Wiring Loom (S600, T1200, T1600) | 1 |
| | 3458 | Wiring Loom (D1200 only) | 1 |
| | 4717 | Wiring Loom (S1100 only) | 1 |
| 61 | 2814 | Rectifier (D1200 only) | 1 |
| 62 | 3731 | Earth Lead (D1200 only) | 1 |
| 63 | 3460 | Battery Earth Lead | 1 |
| 64 | 3599 | Fuse Holder | 2 |
| | 4044 | Fuse, 10 Amp Anti Surge | 2 |
| 65 | 3437 | Label Park Brake | 1 |
| 66 | 3436 | Label Cutter Disengage | 1 |
| 67 | 3435 | Label Cutter Engage | 1 |
| 68 | 3426 | Console Lights Indication (T Series) | 1 |
| | 3427 | Console Lights Indication (D1200 only) | 1 |
| | 3430 | Console Lights Indication (S Series) | 1 |
| 69 | 3432 | Label Gear Position Indicator | 1 |
| 70 | 3443 | Label – Warning | 1 |
| 71 | 3431 | Label Headlight Switch | 1 |
| 72 | 3425 | Label Opearting Instructions | 1 |
| | 3428 | Label Lights Oversticker (D1200 only) | 1 |
| | 3429 | Label 'Ensure Engine' Oversticker (D1200) | 1 |
| | 3502 | Label 'To Stop' Oversticker (D1200 only) | 1 |
| 73 | 3604 | Label 'Pull to Stop' (D1200 only) | 1 |
| | 3605 | Label 'Choke' (T1600 only) | 1 |
| 74 | 3442 | Label 'Switch Engine Off' | 1 |
| 75 | 4305 | Label Seat Safety | 1 |
| 76 | 1327 | Bolt 5/16" UNF x 1" long | 2 |
| 77 | 1321 | Bolt 5/16" UNF x 1 1/2" long | 1 |
| 78 | 1982 | Setscrew 5/16" UNF x 3/4" long | 4 |
| 79 | 1267 | Bolt 3/8" UNF x 2 1/2" long | 1 |
| 80 | 2025 | Bolt 3/8" UNF x 2 3/4" long | 1 |
| 81 | 3688 | Setscrew M5 x 25mm long | 2 |



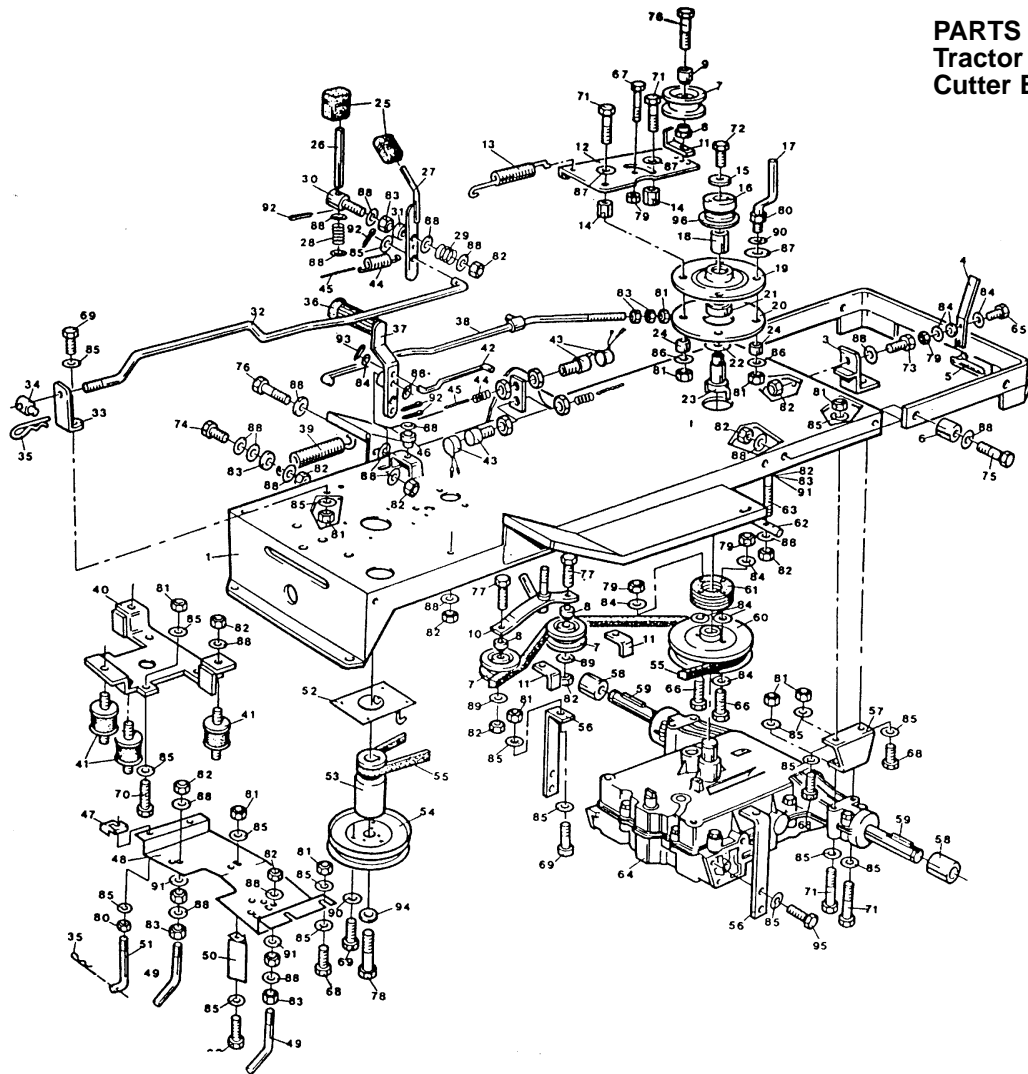
PARTS LIST FOR: Steering, Engine, Gear Change and Electrical Controls

| Item | Part No | Description | Qty |
|------|---------|--------------------------------|-----|
| 82 | 3689 | Nut M5 Nyloc | 2 |
| 83 | 1273 | Nut 5/16" UNF Nyloc | 3 |
| 84 | 1324 | Nut 3/8" UNF Nyloc | 4 |
| 85 | 1143 | Machine Screw 2BA x 1/8" long | |
| 86 | 1053 | Nut 2BA Nyloc | 3 |
| 87 | 1962 | Washer 2BA | 4 |
| 88 | 1105 | Washer 5/16" Dia (T3L) | 18 |
| 89 | 4124 | Washer 3/8" (T5) | 2 |
| 90 | 2847 | Washer 25/64" Dia x 7/8" OD | 2 |
| 91 | 1233 | Split Pin 1/8" Dia x 3/4" long | 2 |
| 92 | 1991 | Locknut 1/2" UNF | 2 |

| Item | Part No | Description | Qty |
|------|---------|-------------|-----|
| | | | |

| Item | Part No | Description | Qty |
|------|---------|-------------|-----|
| | | | |

**PARTS ILLUSTRATION FOR:
Tractor Chassis, PTO, Brake and
Cutter Engage Controls**



PARTS LIST FOR: Tractor Chassis, PTO, Brake and Cutter Engage Controls

| Item | Part No | Description | Qty |
|------|---------|---------------------------------------|-----|
| 1 | 2238 | Chassis | 1 |
| 2 | 3129 | Accessory Mounting Frame | 1 |
| 3 | 2246 | Tow Hitch | 1 |
| 4 | 3478 | Lever, Latch Pins | 2 |
| 5 | 3682 | Latch Pin | 2 |
| 6 | 3117 | Pivot Bush | 2 |
| 7 | 2694 | Jockey Pulley | 3 |
| 8 | 2306 | Shouldered Spacer (Jockey Pulley) | 3 |
| 9 | 2788 | Shouldered Spacer (PTO Jockey Pulley) | 1 |
| 10 | 2715 | Jockey Arm | 1 |
| 11 | 1706 | Belt Guide (Jockey Pulley) | 3 |
| 12 | 2786 | Jockey Plate | 1 |
| 13 | 2791 | Spring, Jockey Plate | 1 |
| 14 | 2787 | Shouldered Spacer (Jockey Plate) | 2 |
| 15 | 1006 | Hardened Dome Spring Washer | 1 |
| 16 | 4337 | PTO Drive Pulley | 1 |
| 17 | 3378 | Belt Guide (PTO) | 1 |
| 18 | 4246 | Bearing Spacer | 1 |
| 19 | 4253 | Bearing Housing (Upper) | 1 |
| 20 | 3639 | Bearing Housing (Lower) | 1 |
| 21 | 1180 | Bearing | 2 |
| 22 | 3618 | Washer (T Series only) | 1 |
| | 4246 | Spacer (S Series only) | 1 |
| 23 | 4247 | PTO Shaft (S Series only) | 1 |
| | 4248 | PTO Shaft (T Series only) | 1 |
| 24 | 3748 | Spacer, PTO Assembly | 4 |
| 25 | 2648 | Knob | 2 |
| 26 | 2643 | Park Brake Plunger | 1 |
| 27 | 2644 | Engage Lever | 1 |
| 28 | 2003 | Spring, Park Brake | 1 |
| 29 | 1613 | Spring, Engage Lever | 1 |
| 30 | 2302 | Pivot Boss | 1 |
| 31 | 3683 | Spacer (Engage Lever) | 1 |
| 32 | 4340 | Engage Rod (S600) | 1 |
| | 4370 | Engage Rod (S1100) | 1 |

| Item | Part No | Description | Qty |
|------|---------|--|-----|
| | 1671 | Engage Rod (T1200) | 1 |
| | 3525 | Engage Rod (Diesel D1200) | 1 |
| | 1672 | Engage Rod (T1600) | 1 |
| 33 | 3538 | Guide Bracket (Engage Rod) | 1 |
| 34 | 1695 | Swivel, Engage Rod | 1 |
| 35 | 1225 | 'R' Clip | 2 |
| 36 | 2009 | Foot Pedal Rubber | 1 |
| 37 | 2845 | Foot Pedal Arm | 1 |
| 38 | 1710 | Brake Operating Rod | 1 |
| 39 | 2103 | Clutch Spring | 1 |
| 40 | 2818 | Engine Mounting Plate (D1200 only) | 1 |
| 41 | 2812 | Flexible Engine Mounts (D1200 only) | 3 |
| 42 | 3405 | Rod (Brake Safety Switch) | 1 |
| 43 | 3414 | Safety Switch | 2 |
| 44 | 3463 | Tension Spring (Safety Switches) | 2 |
| 45 | 1878 | Chain Link | 2 |
| 46 | 3540 | Flanged Bush 1/2" OD x 5/16" ID x 1/2" long | 2 |
| 47 | 4254 | Nut 5/16" Captive | 3 |
| 48 | 4255 | Plate, Belt Guide | 1 |
| 49 | 4256 | Belt Guides | 2 |
| 50 | 4259 | Guard, Finger Protection | 1 |
| 51 | 2319 | Retaining Pin | 1 |
| 52 | 3467 | Belt Guide Assembly | |
| | 3468 | Belt Guide Assembly (D1200 only) | 1 |
| | 3469 | Belt Guide Assembly (T1600 only) | 1 |
| 53 | 2307 | Engine Pulley Block (S600 only) | 1 |
| | 1181 | Woodruff Key No.6 (S600 only) | 1 |
| | 2308 | Engine Pulley Block | 1 |
| | 1602 | Drive Key 1/4" square x 1" long | 1 |
| 54 | 1558 | Cutter Drive Pulley (T1200, D1200, T1600) | 1 |
| | 3750 | Cutter Drive Pulley (S600, S1100/30) | 1 |
| 55 | 1688 | Transmission Belt (1688-42-5654) | 1 |
| 56 | 2831 | Bracket, Transaxle Front Support | 2 |
| 57 | 3482 | Bracket, T/X Rear Support (T Series) | 2 |

| Item | Part No | Description | Qty |
|------|---------|--|-----|
| | 3483 | Bracket, T/X Rear Support (S Series) | 2 |
| 58 | 1715 | Spacer, Rear Wheel | 2 |
| 59 | 1664 | Key Parallel, 3/16" square x 2" long | 2 |
| 60 | 3392 | Transaxle Pulley | 1 |
| | 3395 | Transaxle Pulley (T1600 only) | 1 |
| | 1104 | Woodruff Key | 1 |
| 61 | 3391 | Flexible Drive Coupling | 1 |
| | 3606 | Spacers | 2 |
| 62 | 3991 | Hanger Bar | 1 |
| 63 | 3992 | Support, Hanger Bar | 2 |
| 64 | 2018 | Transaxle Type 832 | 1 |
| | 2019 | Transaxle Type 801-030(D1200,T1600 only) | 1 |
| 65 | 1156 | Setscrew 1/4" UNF x 3/4" long | 2 |
| 66 | 2022 | Bolt 1/4" UNF x 1 1/4" long | 2 |
| 67 | 3396 | Bolt 1/4" UNF x 2 1/2" long | 1 |
| 68 | 1982 | Setscrew 5/16" UNF x 3/4" long | 8 |
| 69 | 2031 | Setscrew 5/16" UNF x 1" long | 6 |
| 70 | 3608 | Setscrew 5/16" UNF x 1 1/4" long (D1200 only) | 4 |
| 71 | 1978 | Bolt 5/16" UNF x 2 1/2" long | 4 |
| 72 | 1051 | Setscrew 3/8" UNF x 1" (Nyloc) long | 1 |
| 73 | 2015 | Setscrew 3/8" UNF x 1" long | 1 |
| 74 | 1948 | Setscrew 3/8" UNF x 1 1/4" long | 1 |
| 75 | 1054 | Bolt 3/8" UNF x 1 1/2" long | 2 |
| 76 | 1267 | Bolt 3/8" UNF x 2 1/2" long | 2 |
| 77 | 2025 | Bolt 3/8" UNF x 2 3/4" long | 2 |
| 78 | 2013 | Bolt 3/8" UNF x 3 1/2" long (S600, D1200 only) | 1 |
| | 3755 | 7/16" UNF x 3 1/2" long (Briggs & Stratton) | 1 |
| | 3655 | M10 x 90mm (KAWASAKI) | 1 |
| | 4342 | 7/16" UNF x 4 1/4" long (rionda GXV 340) | 1 |
| 79 | 1270 | Nut 1/4" UNF Nyloc | 5 |
| 80 | 2040 | Nut 5/16" UNF Plain | 2 |
| 81 | 1273 | Nut 5/16" UNF Nyloc | 22 |
| 82 | 1324 | Nut 3/8" UNF Nyloc | 19 |
| 83 | 1422 | Nut 3/8" UNF Plain | 5 |
| 84 | 1331 | Washer 1/4" Dia (T3L) | 12 |



PARTS LIST FOR:

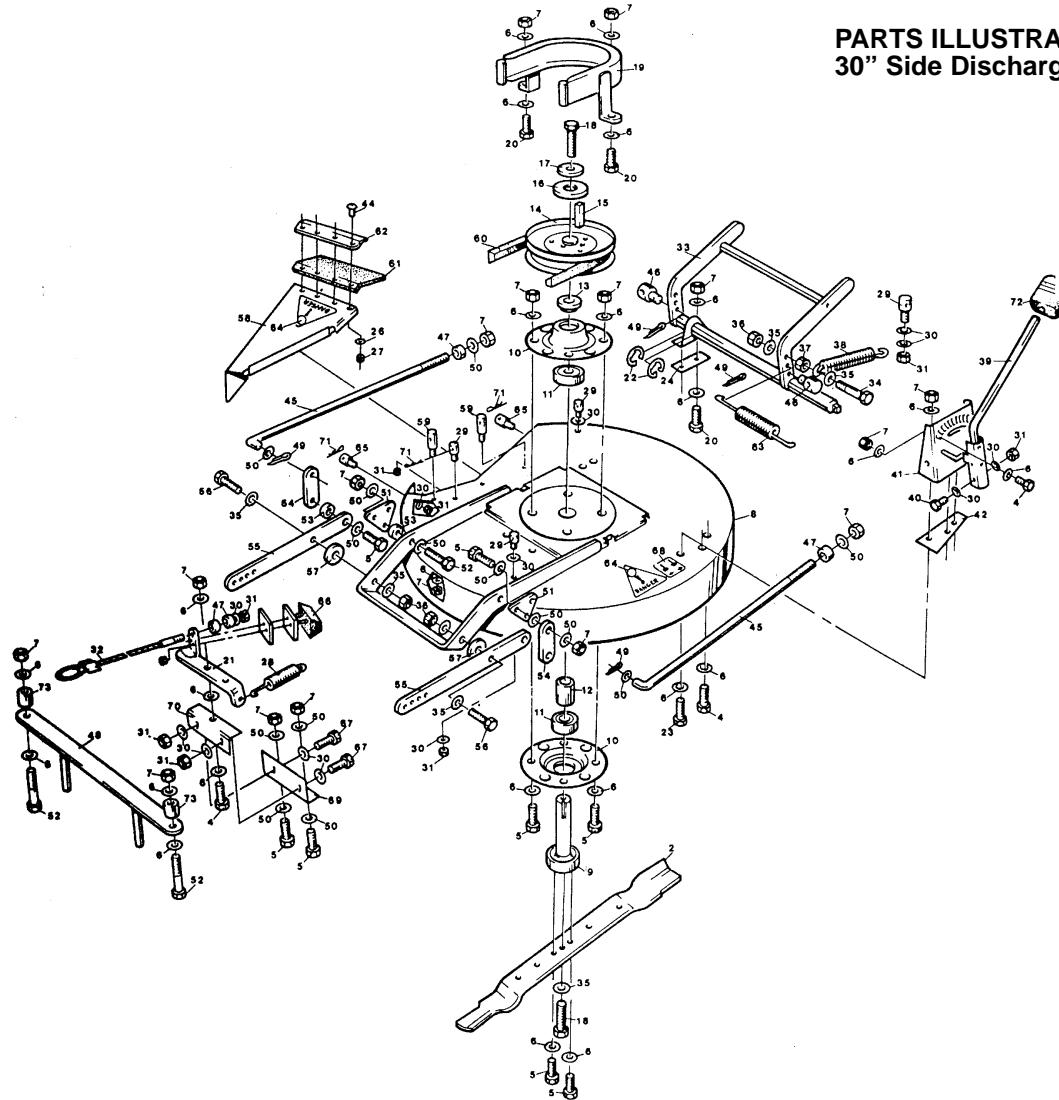
Tractor Chassis, PTO, Brake and Cutter Engage Controls

| Item | Part No | Description | Qty |
|------|---------|--------------------------------------|-----|
| 85 | 1105 | Washer 5/16" Dia (T3L) | 27 |
| 86 | 1970 | Washer 5/16" Dia (T4L) | 4 |
| 87 | 3613 | Washer 5/16" Dia (T5L) | 3 |
| 88 | 1323 | Washer 3/6" Dia (T3L) | 27 |
| 89 | 2847 | Washer, Jockey Pulley | 3 |
| 90 | 2048 | Washer 5/16" Dia Internal Shakeproof | 4 |
| 91 | 1633 | Washer 3/6" Dia Internal Shakeproof | 4 |
| 92 | 1233 | Split Pin 1/8" Dia 3/4" long | 4 |
| 93 | 3721 | Split Pin 2mm Dia x 20mm long | 2 |
| 94 | 4125 | Washer | 1 |
| 95 | 3895 | Bolt 5/16" UNC x 3/4" Taptite | 1 |
| 96 | 3511 | Disc, PTO Drive Belt Support | 1 |

| Item | Part No | Description | Qty |
|------|---------|-------------|-----|
| | | | |

| Item | Part No | Description | Qty |
|------|---------|-------------|-----|
| | | | |

**PARTS ILLUSTRATION FOR:
30" Side Discharge Cutter Deck**



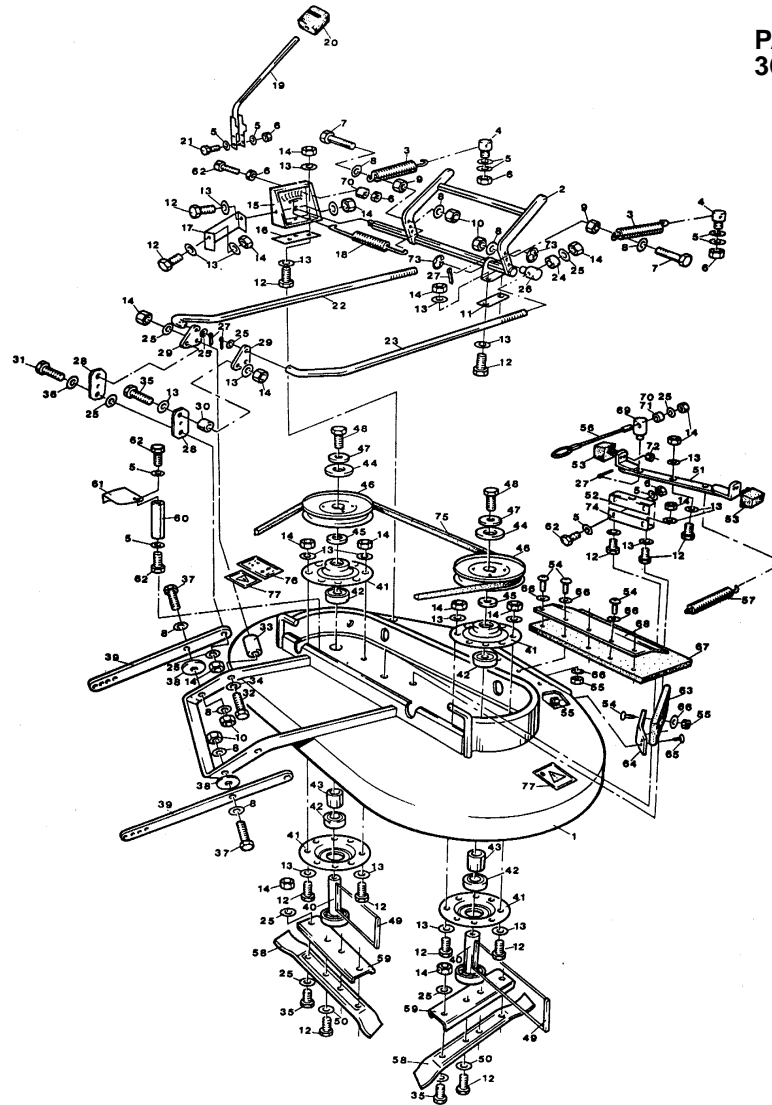
PARTS LIST FOR: 30" Side Discharge Cutter Deck

| Item | Part No | Description | Qty |
|------|---------|------------------------------------|-----|
| 1 | 4314 | Blade Extension, Small (not shown) | 2 |
| 2 | 4315 | Blade, Heavy Duty | 1 |
| 3 | 4317 | Blade Extension, Large (not shown) | 1 |
| 4 | 2031 | Setscrew 5/16" UNF x 1" long | 2 |
| 5 | 1982 | Setscrew 5/16 UNF x 3/4" long | 8 |
| 6 | 1970 | Washer 5/16" Plain (T4L) | 33 |
| 7 | 1273 | Nut 5/16" UNF Nyloc | 36 |
| 8 | 3871 | Deck, Welded Assembly | 1 |
| 9 | 3759 | Cutter Shaft Assembly | 1 |
| 10 | 3552 | Bearing Housing | 2 |
| 11 | 1180 | Bearing, NSK 6205-RS | 2 |
| 12 | 3629 | Bearing Spacer | 1 |
| 13 | 2412 | Pulley Spacer | 1 |
| 14 | 4371 | Pulley 8" Dia | 1 |
| 15 | 3728 | Woodruff Key No.806 | 1 |
| 16 | 3635 | Washer, Special | 1 |
| 17 | 1006 | Washer, Hardened Domed | 1 |
| 18 | 1051 | Setscrew 3/8" UNF x 1" long Nyloc | 1 |
| 19 | 2425 | Pulley Guard | 1 |
| 20 | 1335 | Bolt 5/16" UNF x 1 1/4" long | 2 |
| 21 | 3737 | Brake Arm | 1 |
| 22 | 1663 | Circlip | 2 |
| 23 | 3608 | Setscrew 5/18" UNF x 1 1/4" long | 2 |
| 24 | 3781 | Spacer Plate | 1 |
| 25 | 1956 | Screw, Self Tapping No.8 x 1" long | 2 |
| 26 | 1962 | Washer 2BA Plain (T1) | 9 |
| 27 | 1053 | Nut 2BA Nyloc | 5 |
| 28 | 2103 | Tension Spring | 1 |
| 29 | 3516 | Pin, Spring Retainer | 4 |
| 30 | 1331 | Washer, 1/4" Plain (T3L) | 19 |
| 31 | 1270 | Nut 1/4" UNF Nyloc | 10 |
| 32 | 3739 | Brake Cable Assembly | 1 |
| 33 | 3884 | Hanger Bar Assembly | 1 |
| 34 | 1267 | Bolt 3/8" UNF x 2 1/2" long | 2 |
| 35 | 1323 | Washer 3/8" Plain (T3L) | 10 |

| Item | Part No | Description | Qty |
|------|---------|--|-----|
| 36 | 1324 | Nut 3/8" Nyloc | 4 |
| 37 | 1969 | Nut 5/16" UNF Locknut | 2 |
| 38 | 2217 | Tension Spring | 2 |
| 39 | 3881 | Height Adjuster Lever | 1 |
| 40 | 2022 | Bolt 1/4" UNF x 1/4" long | 1 |
| 41 | 3883 | Height Adjuster Quadrant | 1 |
| 42 | 2429 | Reinforcing Plate | 1 |
| 43 | 2430 | Height Adjuster Stop | 1 |
| 44 | 1735 | Machine Screw 2BA x 3/4" long | 5 |
| 45 | 3734 | Hitch Rod | 2 |
| 46 | 3740 | Pivot, Hitch Rod | 2 |
| 47 | 3329 | Spacer 5/16" ID x 1/2" OD x 7/16" long | 3 |
| 48 | 3746 | Belt Guide Assembly | 1 |
| 49 | 1667 | Split Pin 1/8" Dia x 1" long | 2 |
| 50 | 1105 | Washer 5/16" Plain (T3L) | 12 |
| 51 | 3735 | Link Plate | 2 |
| 52 | 1321 | Bolt 5/16 UNF x 1 1/2" long | 2 |
| 53 | 3691 | Bush, Link | 2 |
| 54 | 3760 | Link Plate | 2 |
| 55 | 2420 | Hitch Bar | 2 |
| 56 | 3610 | Setscrew 3/8" UNF x 1 1/2" long | 2 |
| 57 | 4124 | Washer 3/8" Plain (T5) | 2 |
| 58 | 3999 | Cutter Guard Assembly | 1 |
| 59 | 3995 | Hinge Pillar | 2 |
| 60 | 1767 | Drive Belt, 42-5084 | 1 |
| 61 | 3905 | Rubber Flap, Side Chute | 1 |
| 62 | 3903 | Retaining Plate | 1 |
| 63 | 2595 | Tension Spring | 1 |
| 64 | 2945 | Warning Label | 2 |
| 65 | 3902 | Retaining Pin | 2 |
| 66 | 3730 | Brake Block | 1 |
| 67 | 1156 | Setscrew 1/4" UNF x 3/4" long | 2 |
| 68 | 3439 | Height Adjuster Label | 1 |
| 69 | 4319 | Brake Arm Support (Fixed) | 1 |
| 70 | 4320 | Brake Arm Support (Adjustable) | 1 |

| Item | Part No | Description | Qty |
|------|---------|---------------------------------------|-----|
| 71 | 1225 | 'R' Clip | 3 |
| 72 | 2649 | Knob | 1 |
| 73 | 4372 | Spacer 5/16" ID x 3/4" OD x 1/2" long | 2 |

**PARTS ILLUSTRATION FOR:
36" Standard Cutter Deck**



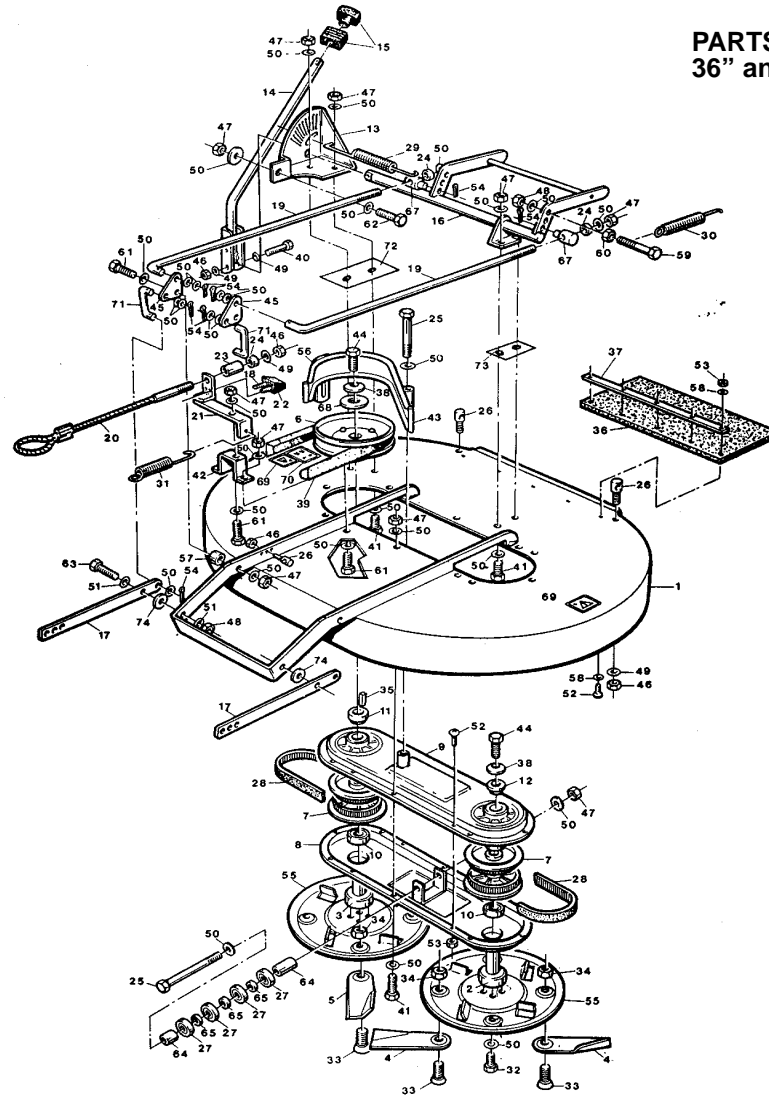
PARTS LIST FOR: 36" Standard Cutter Deck

| Item | Part No | Description | Qty |
|------|---------|--------------------------------|-----|
| 1 | 2381 | Cutter Deck Shell | 1 |
| 2 | 2395 | Hanger Bar Assembly | 1 |
| 3 | 1076 | Tension Spring | 2 |
| 4 | 3516 | Spring Retainer | 2 |
| 5 | 1331 | Washer 1/4" Plain (T3L) | 12 |
| 6 | 1270 | Nut 1/4" UNF Nyloc | 5 |
| 7 | 1200 | Bolt 3/8" UNF x 2 1/4" long | 2 |
| 8 | 1323 | Washer, 3/8" Plain (T3L) | 8 |
| 9 | 3792 | Lock Nut 3/8" UNF | 2 |
| 10 | 1324 | Nut 3/8" UNF Nyloc | 4 |
| 11 | 3781 | Spacer Plate (Height Adjuster) | 1 |
| 12 | 1982 | Setscrew 5/16" UNF x 3/4" long | 22 |
| 13 | 1970 | Washer 5/16" Plain (T4L) | 20 |
| 14 | 1273 | Nut 5/16" UNF Nyloc | 29 |
| 15 | 3753 | Quadrant Height Adjuster | 1 |
| 16 | 3779 | Spacer Plate (Quadrant) | 1 |
| 17 | 2339 | Height Adjuster Bracket | 1 |
| 18 | 2595 | Tension Spring | 1 |
| 19 | 2646 | Height Adjuster Lever | 1 |
| 20 | 2649 | Knob | 1 |
| 21 | 2022 | Bolt 1/4" UNF x 1/4" long | 1 |
| 22 | 4218 | Hitch Rod, RH | 1 |
| 23 | 4219 | Hitch Rod LH | 1 |
| 24 | 3329 | Spacer | 2 |
| 25 | 1105 | Washer 5/16" Plain (T3L) | 39 |
| 26 | 3740 | Hitch Rod Pilot | 2 |
| 27 | 1233 | Split Pin 1/8" Dia x 3/4" long | 5 |
| 28 | 4225 | Link Arm | 2 |
| 29 | 3735 | Link Plate | 2 |
| 30 | 3397 | Spacer | 2 |
| 31 | 3608 | Setscrew 5/16" UNF x 1/4" long | 2 |
| 32 | 1318 | Bolt 5/16" UNF x 2" long | 2 |
| 33 | 4221 | Link Bush | 2 |
| 34 | 3616 | Washer 5/16" Plain (T4H) | 2 |
| 35 | 2031 | Setscrew 5/16" UNF x 1" long | 6 |

| Item | Part No | Description | Qty |
|------|---------|-----------------------------------|-----|
| 36 | 3621 | Washer 5/16" Plain (T3H) | 2 |
| 37 | 3610 | Setscrew 3/8" UNF x 1/2" long | 2 |
| 38 | 4124 | Washer 3/8" Plain (T5) | 2 |
| 39 | 2410 | Hitch Bar | 2 |
| 40 | 3759 | Cutter Shaft Assembly | 2 |
| 41 | 3552 | Bearing Housing | 4 |
| 42 | 1180 | Bearing NSK 6205 – RS | 4 |
| 43 | 3629 | Bearing Spacer | 2 |
| 44 | 3635 | Washer 2.375" OD x 30mm ID x 10g | 2 |
| 45 | 2412 | Pulley Spacer | 2 |
| 46 | 3943 | Drive Pulley | 2 |
| 47 | 1006 | Domed Hardened Washer | 2 |
| 48 | 1051 | Setscrew 3/8" UNF x 1" long Nyloc | 2 |
| 49 | 3728 | Woodruff Key No.806 | 2 |
| 50 | 2048 | Washer 5/16" Internal Shakeproof | 4 |
| 51 | 4224 | Brake Arm Assembly | 1 |
| 52 | 4320 | Brake Arm Bridge (Adjustable) | 1 |
| 53 | 3730 | Brake Pad | 1 |
| 54 | 1735 | Machine Screw 2BA x 3/4" long | 9 |
| 55 | 1053 | Nut 2BA Nyloc | 11 |
| 56 | 3739 | Brake Cable | 1 |
| 57 | 2103 | Tension Spring | 1 |
| 58 | 2394 | Cutter Blade | 2 |
| 59 | 3557 | Blade Carrier | 2 |
| 60 | 3295 | Belt Guard Post | 1 |
| 61 | 3294 | Safety Guard | 1 |
| 62 | 1156 | Setscrew 1/4" UNF x 3/4" long | 4 |
| 63 | 2209 | Deflector Rubber | 1 |
| 64 | 2208 | Deflector Rubber Mounting Plate | 1 |
| 65 | 1734 | Machine Screw 2BA x 1/2" long | 2 |
| 66 | 1962 | Washer 2BA Plain (T1) | 16 |
| 67 | 4220 | Rubber Flap | 1 |
| 68 | 4233 | Rubber Flap Retaining Strip | 1 |
| 69 | 4232 | Brake Arm Cable Pillar | 1 |
| 70 | 3146 | Spacer 0.362" long | 1 |

| Item | Part No | Description | Qty |
|------|---------|----------------------------------|-----|
| 71 | 3397 | Spacer 1/4" long | 1 |
| 72 | 1053 | Nut 2BA Nyloc | 4 |
| | 1956 | Screw No.8 x 1 long Self Tapping | 4 |
| 73 | 1663 | 'E' Clip | 2 |
| 74 | 4319 | Brake Arm Bridge Fixed | 1 |
| 75 | 1721 | Drive Belt | 1 |
| 76 | 3439 | Height Adjuster Label | 1 |
| 77 | 3434 | Warning Label | 2 |

**PARTS ILLUSTRATION FOR:
36" and 42" Contra-Rotating Cutter Deck**



PARTS LIST FOR: 36" and 42" Contra-Rotating Cutter Deck

| Item | Part No | Description | Qty |
|------|---------|---|-----|
| 1 | 3766 | Deck, Welded Assembly – 36" | 1 |
| | 3767 | Deck, Welded Assembly – 42" | 1 |
| 2 | 3706 | Cutter Shaft, Short | 1 |
| 3 | 3707 | Cutter Shaft, Long | 1 |
| 4 | 3768 | Blade Swinging – 36" LH | 2 |
| | 3770 | Blade Swinging – 42" LH | 2 |
| 5 | 3769 | Blade Swinging – 36" RH | 2 |
| | 3771 | Blade Swinging – 42" RH | 2 |
| 6 | 3548 | Pulley Assembly, 7" Dia | 1 |
| 7 | 3636 | Pulley, Toothed | 2 |
| 8 | 3772 | Belt Case Lower – 36" | 1 |
| | 3778 | Belt Case Lower – 42" | 1 |
| 9 | 4689 | Belt Case Upper – 36" | 1 |
| | 4690 | Belt Case Upper – 42" | 1 |
| 10 | 1180 | Bearing, NSK 6205 – RS | 4 |
| 11 | 3775 | Bush, Drive Pulley | 1 |
| 12 | 3776 | Bush, Driven Pulley | 1 |
| 13 | 3753 | Height Adjuster Quadrant – 36" | 1 |
| | 3794 | Height Adjuster Quadrant – 42" | 1 |
| 14 | 2646 | Height Adjuster Lever | 1 |
| 15 | 2649 | Knob | 1 |
| 16 | 2395 | Hanger Bracket | 1 |
| 17 | 2410 | Hitch Bar | 2 |
| 18 | 1956 | Self Tapping Screw, No.8 x 1" long | 2 |
| 19 | 3703 | Hitch Rod – 36" | 2 |
| | 2690 | Hitch Rod – 42" | 2 |
| 20 | 3739 | Brake Operating Cable (9 ¹ / ₂ " long) – 36" | 1 |
| | 3783 | Brake Operating Cable (10 ¹ / ₂ " long) – 42" | 1 |
| 21 | 4327 | Brake Arm – 36" | 1 |
| | 4326 | Brake Arm – 42" | 1 |
| 22 | 3730 | Brake Pad | 1 |
| 23 | 3329 | Spacer ⁵ / ₁₆ " ID x ¹ / ₂ " OD x ⁷ / ₁₆ " long | 2 |
| 24 | 3397 | Spacer ⁵ / ₁₆ " ID x ¹ / ₂ " OD x ¹ / ₄ " long | 2 |

| Item | Part No | Description | Qty |
|------|---------|---|-----|
| 25 | 1933 | Bolt ⁵ / ₁₆ " UNF x 3 ¹ / ₂ " long | 2 |
| 26 | 3516 | Spring Retainer | 3 |
| 27 | 2445 | Bearing, NSK 6082SR-1QE6 | 5 |
| 28 | 2659 | Toothed Belt, 1280 – 8M20 – 36" | 1 |
| | 2660 | Toothed Belt, 1440 – 8M20 – 42" | 1 |
| 29 | 2595 | Spring Retainer | 3 |
| 30 | 3843 | Spring Tension – 36" | 2 |
| | 2217 | Spring Tension – 42" | 2 |
| 31 | 2594 | Spring Tension | 1 |
| 32 | 4107 | Setscrew ⁵ / ₁₆ " UNF x ¹ / ₂ " long, Nyloc | 8 |
| 33 | 1954 | Setscrew, M12 x 20mm CSK | 4 |
| 34 | 3585 | Locknut M12, Fine Pitch | 4 |
| 35 | 1602 | Key Parallel ¹ / ₄ " square x 1" long | 1 |
| 36 | 3286 | Rubber Flap | 1 |
| 37 | 3287 | Retaining Strip | 1 |
| 38 | 1006 | Washer Hardened Dome | 2 |
| 39 | 2225 | Drive Belt – 36" Decks | 1 |
| | 2226 | Drive Belt – T1600/42" | 1 |
| | 2624 | Drive Belt – D1200/42" | 1 |
| 40 | 2022 | Bolt ¹ / ₄ " UNF x 1 ¹ / ₄ " long | 1 |
| 41 | 1982 | Setscrew ⁵ / ₁₆ " UNF x ³ / ₄ " long | 13 |
| 42 | 4325 | Bridge, Brake Arm | 1 |
| 43 | 4693 | Drive Pulley Guard | 1 |
| 44 | 1051 | Setscrew ³ / ₈ " UNF x 1" long, Nyloc | 2 |
| 45 | 3735 | Link Plate | 2 |
| 46 | 1270 | Nut ¹ / ₄ " UNF, Nyloc | 5 |
| 47 | 1273 | Nut ⁵ / ₁₆ " UNF, Nyloc | 21 |
| 48 | 1324 | Nut ³ / ₈ " UNF, Nyloc | 4 |
| 49 | 1331 | Washer ¹ / ₄ " Plain (T3L) | 6 |
| 50 | 1105 | Washer ⁵ / ₁₆ " Plain (T3L) | 59 |
| 51 | 1323 | Washer ³ / ₈ " Plain (T3L) | 4 |
| 52 | 1735 | Machine Screw, 2BA x ³ / ₄ " long | 9 |
| 53 | 1053 | Nut, 2BA Nyloc | 9 |
| 54 | 1233 | Split Pin ¹ / ₈ " Dia x ³ / ₄ " long | 8 |
| 55 | 3789 | Blade Dish | 2 |

| Item | Part No | Description | Qty |
|------|---------|---|-----|
| 56 | 4694 | Bracket, Belt Guard | 1 |
| 57 | 3691 | Bush, Link | 2 |
| 58 | 1962 | Washer, 2BA Plain (T1) | 14 |
| 59 | 1267 | Bolt ³ / ₈ " UNF x 2 ¹ / ₂ " long | 2 |
| 60 | 3792 | But ³ / ₈ " UNF Plain | 2 |
| 61 | 2688 | Setscrew ⁵ / ₁₆ " UNF x 1 ¹ / ₄ " long | 2 |
| 62 | 2031 | Setscrew ⁵ / ₁₆ " UNF x 1" long | 2 |
| 63 | 1054 | Bolt ³ / ₈ " UNF x 1 ¹ / ₂ " long | 2 |
| 64 | 3329 | Spacer ⁵ / ₁₆ " ID x ¹ / ₂ " OD x ⁷ / ₁₆ " long | 2 |
| 65 | 3338 | Spacer ⁵ / ₁₆ " ID x ¹ / ₂ " OD x ¹ / ₈ " long | 3 |
| 66 | | Not Allocated | |
| 67 | 3740 | Pivot, Lift Rod | 2 |
| 68 | 3635 | Washer, Special | 1 |
| 69 | 3434 | Label – Warning | 2 |
| 70 | 3439 | Label – Height Adjustment | 1 |
| 71 | 3694 | Bent Link | 2 |
| 72 | 3779 | Spacer Plate – Quadrant – 36" only | 1 |
| 73 | 3781 | Spacer Plate – Hanger Bracket – 36" only | 1 |
| 74 | 4124 | Washer ³ / ₈ " ID x 1" OD (T5) | 3 |
| | 4817 | Belt Case Assembly – 42" only | |
| | 2444 | Bridge Roller Assembly – 42" only | |