

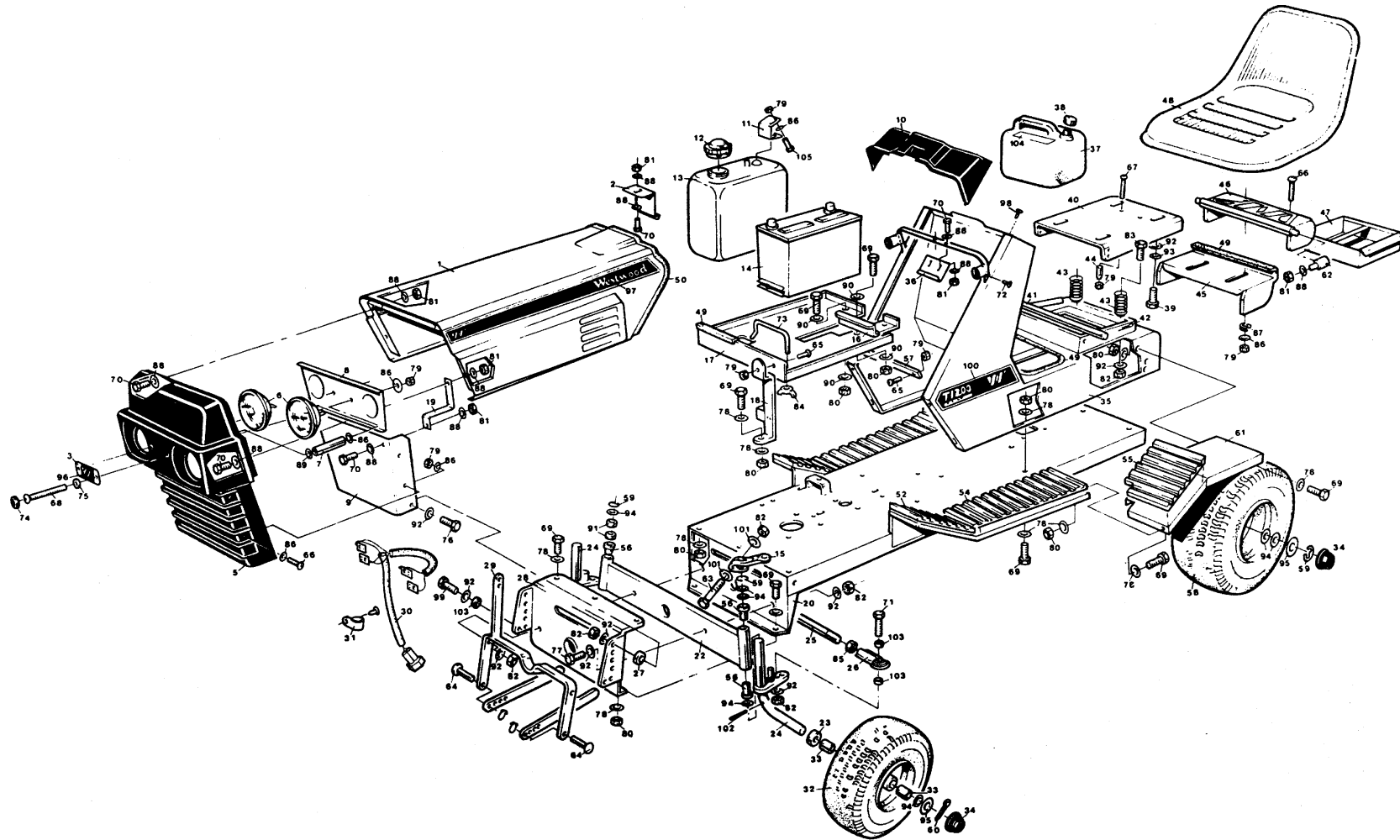


WESTWOOD GARDEN TRACTORS 1989 PARTS CATALOGUE

CONTENTS

	PAGE No.
TRACTOR CHASSIS & UPPER BODY PANELS	2 – 4
HEAVY DUTY BONNET ASSEMBLY	5 – 6
STEERING, GEAR CHANGE AND ELECTRICAL CONTROLS	7 – 9
TRACTOR CHASSIS, PTO, BRAKE AND CUTTER ENGAGE CONTROLS	10 – 12
30" SIDE DISCHARGE CUTTER DECK	13 – 14
36" STANDARD CUTTER DECK	15 – 16
42" CONTRA-ROTATING CUTTER DECK	17 – 18

**PARTS ILLUSTRATION FOR:
Tractor Chassis and Upper Body Panels**



PARTS LIST FOR: Tractor Chassis and Upper Body Panels

Item	Part No	Description	Qty	Item	Part No	Description	Qty	Item	Part No	Description	Qty
1	4833	Bonnet Assembly (T1600 & T1800 only)	1	29	5506	Hitching Bracket (36" Cutter Decks)	1	55	5646	Foot mats, Mudguards Left and Right	1 pr
	4360	Bonnet Assembly – all other models	1		3944	Hitching Bracket (30" & 42" Cutter Decks)	1	56	3355	Bush Flanged, 3/4" ID x 1 1/4" long – Delryn 500	4
2	5430	Bonnet Catch Plate	1	30	3512	Headlamp Wiring Harness	1	57	3359	Support Bracket	2
3	4330	Grille Plate	1	31	3716	Cable Clip	1	58	1746	Rear Wheel Assembly (S Series)	2
4	4846	Pivot Plate (T1600 & T1800 only)	2	32	1749	Front Wheel Assembly (S Series)	2		1662	Rear Wheel Rim (S Series)	2
5	4682	Grille	1		1541	Front Wheel Rim (S Series)	2		1747	Rear Tyre (S Series)	2
6	3727	Headlamp	2		1163	Front Tyre (S Series)	2		1748	Rear Inner Tube (S Series)	2
7	4331	Spacer	2		1201	Front Inner Tube (S Series)	2		1586	Rear Wheel Assembly (T Series)	2
8	4329	Headlamp Mounting Plate	1		2796	Front Wheel Assembly (T Series)	2		1662	Rear Wheel Trim (T Series)	2
9	5634	Grille Heat Shield	1		1541	Front Wheel Rim (T Series)	2		1587	Rear Tyre (T Series)	2
10	2943	Console Plastic Front	1		1539	Front Tyre (T Series)	2		1588	Rear Inner Tube (T Series)	2
11	3959	Bracket, Fuel Tank	1		1540	Front Inner Tube (T Series)	2	59	1663	"E" Clip	3
12	3963	Cap, Fuel Tank	1	33	3354	Bush Oilite	4	60	1227	Split Pin, 1/8" Dia x 1 3/4" long	2
13	3960	Fuel Tank	1	34	4230	Hub Cap	4	61	5442	Mudguard LH	1
14	1209	Battery, Type 138	1	35	2682	Body Assembly	1		5443	Mudguard RH	1
15	4930	Steering Arm	2	36	5431	Bonnet Catch Plate, Lower	1	62	3516	Hinge Pin	2
16	3411	Battery Clamp Bracket	1	37	1658	Fuel Can	1	63	1267	Bolt, 3/8" UNF x 2 1/2" long	1
17	3416	Battery/Fuel Tank Tray	1	38	1659	Cap, Fuel Can	1	64	3349	Pin Hitch Mounting	2
18	3407	Support Bracket (Battery/Fuel Tank Tray)	1	39	2034	Setscrew, 3/8" UNF x 3/4" long	4	65	1734	Machine Screw, 2BA x 1/2" long	3
19	4362	Support Bracket (T1600 & T1800)	2	40	2912	Seat Plate	1	66	1735	Machine Screw, 2BA x 3/4" long	6
20	4929	Chassis Bracket (Rear)	1	41	2067	Seat Plate Pin	1	67	4215	Machine Screw, 2BA x 1 1/4" long	2
21	4867	Side Panel LH (T1600 & T1800 only) (Not Illustrated)	1	42	1225	"R" Clip	1	68	4334	Machine Screw, 2BA x 3" long	2
	4868	Side panel RH (T1600 & T1800 only) (Not Illustrated)	1	43	2808	Seat Springs	2	69	1982	Setscrew, 5/16" UNF x 3/4" long	22
22	2296	Axle Beam	1	44	3290	Boss, Seat Spring Retaining	2	70	1156	Setscrew, 1/4" UNF x 3/4" long	10
23	1980	Wheel Spacer		45	3532	PTO Flap (Inner)	1	71	1997	Bolt, 3/8" UNF x 1 3/4" long	2
24	2287	Stub Axle LH	1	46	3531	PTO Flap (Outer)	1	72	5637	Screw, Self Tapping No. 6 x 3/8" CSK	2
	2291	Stub Axle RH	1	47	2919	Tool Tray	1	73	3410	Battery Retaining Bar	1
25	4961	Track Rod	1	48	5035	Seat	1	74	3091	Screw Cover	2
26	4933	Ball Joint	1	49	4229	Beading	per ft	75	3091	Cup Washer	2
27	3683	Spacer	2	50	4832	Rubber Seal	per ft	76	1054	Bolt, 3/8" UNF x 1 1/2" long	2
28	4926	Chassi Bracket (Front)	1	51	4869	Back panel (T1600 & T1800 only)	1	77	1200	Bolt, 3/8" UNF x 2 1/4" long	2
				52	5644	Foot Mats, Front left and Right	1 pr	78	1970	Washer, 5/16" (T4L)	24
				53	1818	Cable Clip (T1600 & T1800)	2	79	1053	Nut, 2BA Nyloc	39
				54	5645	Foot Mats, Centre left and Right	1 pr	80	1273	Nut, 5/16" UNF Nyloc	83



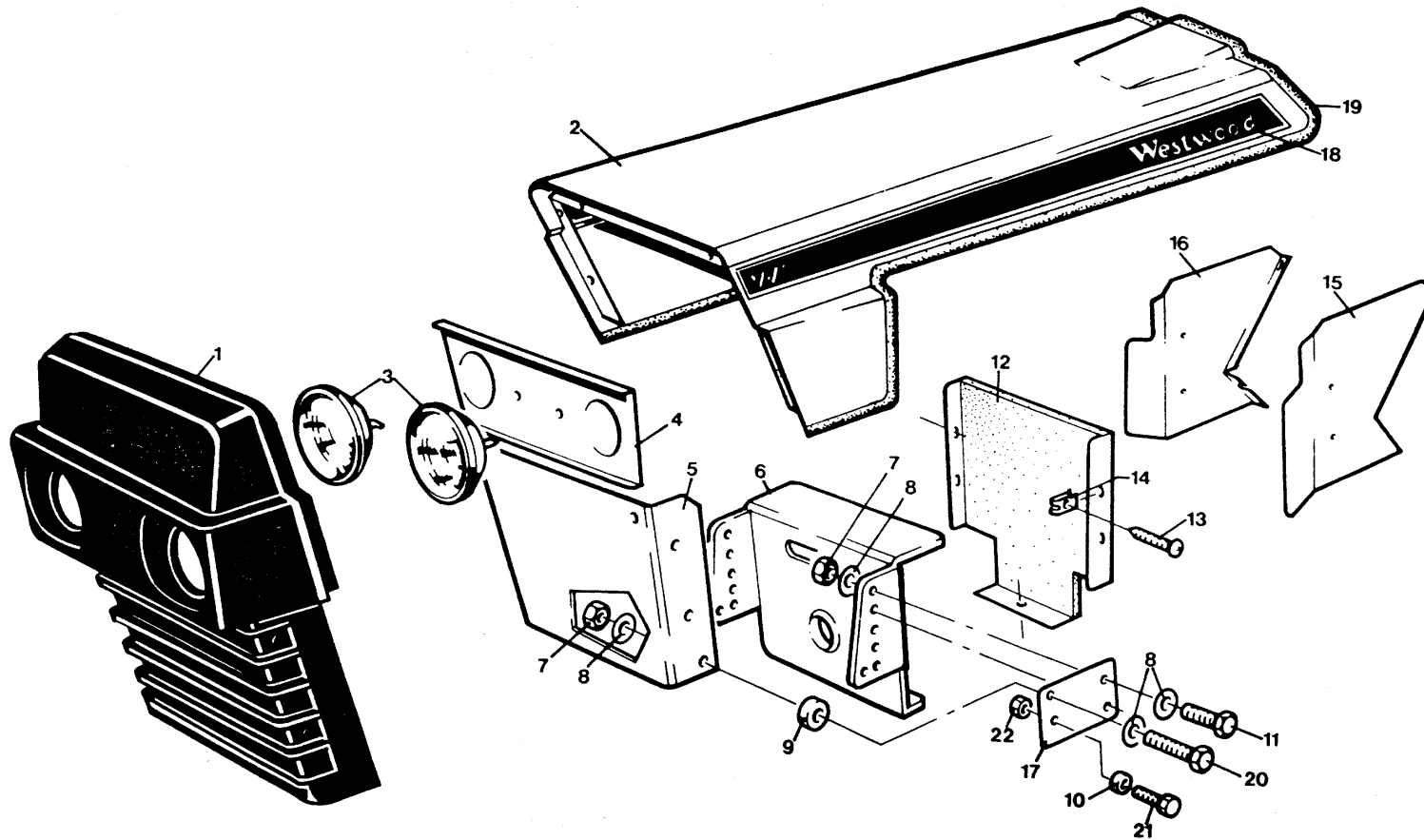
PARTS LIST FOR: Tractor Chassis and Upper Body Panels

Item	Part No	Description	Qty
81	1270	Nut, 1/4" UNF Nyloc	9
82	1324	Nut, 3/8" UNF Nyloc	36
83	2015	Setscrew, 3/8" UNF	2
84	3717	Wing Nut, 1/4" UNF	2
85	3792	Locknut, 3/8" UNF	2
86	1962	Washer, 2BA	66
87	1973	Washer, 2BA Coil Spring	2
88	1331	Washer, 1/4" Dia (T3L)	20
89	3947	Washer, 3/16" ID x 1" OD	2
90	1105	Washer, 5/16" Dia (T3L)	4
91	5479	Spacer Stub Axle	2
92	1323	Washer, 3/8" (T3l)	20
93	1633	Washer, 3/8" Dia Internal Shakeproof	4
94	3712	Shim Washer, 20g	As req
	3713	Shim Washer, 16g	As req
95	3908	Hubcap Washer	4
96	3445	Logo (Small W)	1
97	4970	Westwood Bonnet Logo LH	1
	4971	Westwood Bonnet Logo RH	1
	4976	Westwood Bonnet Logo LH (T1600 & T1800 only)	2
	4977	Westwood Bonnet Logo RH (T1600 & T1800 only)	2
98	1629	Screw, Self Tapping No. 6 x 3/8" CSK	2
99	1948	Setscrew, 3/8" UNF x 1 1/4" long	2
100	4978/4979	S800 Logo (LH/RH)	2
	4980/4981	S1100 Logo (LH/RH)	2
	4982/4983	T1100 Logo (LH/RH)	2
	4974/4975	T1200 Logo (LH/RH)	2
	4897/4989	T1800 Logo (LH/RH)	2
	4984/4985	T1600 Logo (LH/RH)	2
101	2847	Washer, 25/64" ID x 7/8" OD x 10g	2
102	1553	Roll Pin, 1/8" Dia x 1 1/2" long	2
103	1680	Spacer	6
104	3440	Label - Safety First	1

Item	Part No	Description	Qty
105	1148	Bolt, 2BA x 3/4" long	1

Item	Part No	Description	Qty

**PARTS ILLUSTRATION FOR:
Heavy Duty Bonnet Assembly**





**Mountfield
Westwood**

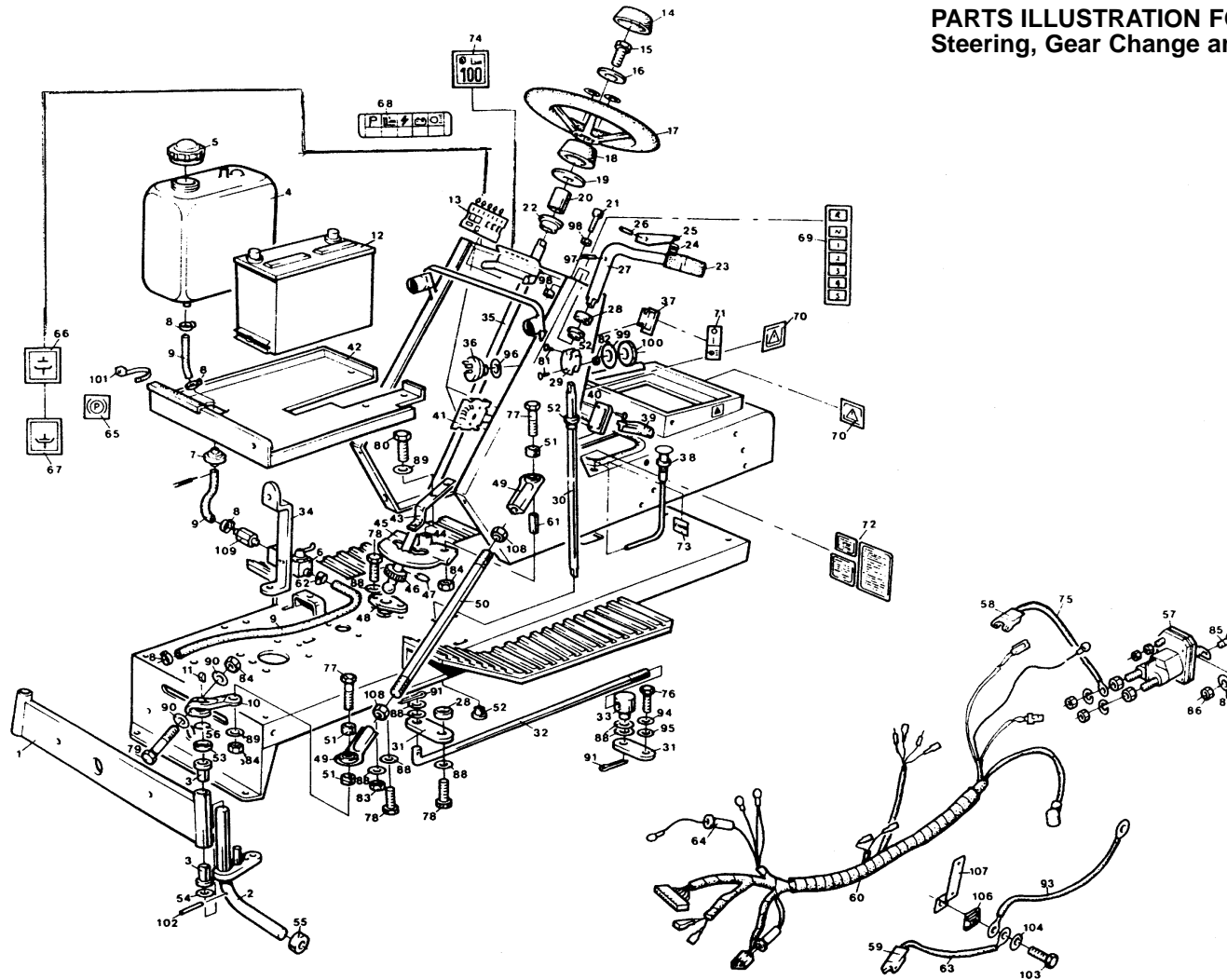
**PARTS LIST FOR:
Heavy Duty Bonnet Assembly**

Item	Part No	Description	Qty
1	4682	Grille	1
2	4833	Heavy Duty Bonnet Assembly	1
3	3727	Headlights, Large	2
4	4329	Headlight Retaining Plate	1
5	5434	Grille Heatshield Welded Assembly	1
6	4926	Chassis Front Forward	1
7	1324	Nut, 3/4" UNF Nyloc	6
8	1323	Washer, 3/8" (T3L)	12
9	4372	Spacer, 3/4" OD x 25/64" ID x 1/2" LG	2
10	3397	Spacer 0.5" Dia x 0.25" EN1A	2
11	2015	Setscrew, 3/8" UNF x 1" LG	4
12	4869	Back Plate, Heavy Duty	1
13	1338	Self Tapping Screw No. 12 x 1" LG	4
14	4118	"J" Type Nut No. 12	4
15	4867	Side Panel, Left Hand, Heavy Duty	1
16	4868	Side Panel, Right Hand, Heavy Duty	1
17	4846	Pivot Plate, Heavy Duty Bonnet	2
18	4976	Bonnet Stripe, Left Hand, Heavy Duty	1
	4977	Bonnet Stripe, Right Hand, Heavy Duty	1
19	4229	Beading (Per Foot)	4
20	3610	Setscrew, 3/8" UNF x 1 1/2" LG	2
21	3719	Setscrew, 1/4" UNF x 1 1/4" LG	2
22	1270	Nut, 1/4" UNF Nyloc	2

Item	Part No	Description	Qty
------	---------	-------------	-----

Item	Part No	Description	Qty
------	---------	-------------	-----

**PARTS ILLUSTRATION FOR:
Steering, Gear Change and Electrical Controls**



PARTS LIST FOR:

Steering, Gear Change and Electrical Controls

Item	Part No	Description	Qty
1	2296	Axle Beam	1
2	2287	Stub Axle, Left Hand	1
	2291	Stub Axle, Right Hand	1
3	3355	Bush, Flanged, Delryn	4
4	3960	Fuel Tank	1
5	3963	Cap, Fuel Tank	1
6	3674	Fuel Tap	1
7	2813	Fuel Filter	1
8	2828	Snapper Clip No. 8	6
9	3677	Fuel Line	As req
10	4931	Steering Arm	1
11	1098	Woodruff Key, No. 608	1
12	1209	Battery 12 Volt (Type 138)	1
13	3587	Printed Circuit Board (PCB)	1
14	5425	Cover, Steering Wheel	1
15	1334	Bolt, 5/16" UNF x 3/4" long	1
16	4808	Washer, Flat Hardened	1
17	3946	Steering Wheel	1
18	5426	Shroud, Steering Wheel	1
19	4771	Washer, Steering Wheel	2
20	4770	Spacer, Steering Column	1
21	2963	Gear Lever Stop Pin	1
22	3539	Bush, Steering Column	2
23	2649	Knob	1
24	2925	Spring	1
25	2884	Gear Lever Latch	1
26	1457	Roll Pin, 1/8" Dia x 3/4" long	1
27	2281	Gear lever, Upper	1
28	4809	Spacer, 3/4" OD 33/64" ID x 1/4" long	2
29	2883	Knuckle, Gear Change	1
30	2882	Gear Lever, Lower	1
31	4718	Gear Change Lever	2
32	4719	Gear Change Rod (T Series)	1
	4720	Gear Change Rod (S Series)	1
33	1694	Swivel	1

Item	Part No	Description	Qty
34	3407	Support Bracket	1
35	3475	Steering Column	1
36	2703	Ignition Switch	1
37	3561	Switch, Headlamps	1
38	3559	Choke Control (T1600 & T1800 only)	1
39	2010	Knob	1
40	4144	Throttle Plate	1
	4145	Throttle Plate (T1800 only)	1
	4146	Throttle Plate (T1600 only)	1
41	1507	Throttle Control	1
		(S800, S1100, T1200 only)	1
	1808	Throttle Control (T1600 only)	1
	5444	Throttle Control (T1800 only)	1
42	3416	Battery/Fuel Tank tray	1
43	3401	Bridge, Steering Quadrant	1
44	3400	Bush, Steering Quadrant	1
45	3403	Steering Quadrant	1
46	2276	Steering gear	1
47	2589	Clip, "E" Spring Am1500-62	2
48	1699	Steering Column base	1
49	4933	Ball Joint	2
50	4960	Drag Link	1
51	1680	Spacer, Ball Joint	2
52	3541	Bush, Gear Change	2
53	5479	Spacer, Stub Axle	2
54	3712	Shim Washer 209	As req
	3713	Shim Washer 169	As req
55	1980	Spacer, Front Wheel	2
56	1663	Clip, "E" Spring, AM1500-75	2
57	1530	Solenoid	1
58	2090	Battery Connector – Red	1
59	2091	Battery Connector – Blue	1
60	3457	Wiring Loom	1
61	4717	Wiring Loom (S1100 only)	1
	5423	Wiring Loom (T1800 only)	1

Item	Part No	Description	Qty
61	3117	Spacer	1
62	2827	Jubilee Clip	1
63	3460	Battery Earth lead	1
64	3599	Fuse Holder	2
	4044	Fuse, 10 Amp, Anti Surge	2
65	3437	Label, Park Brake	1
66	5520	Label, Cutter Disengage	1
67	3435	Label, Cutter Engage	1
68	3956	Label, Console Lights, Indicator	1
69	3484	Label, Gear Change	1
70	4967	Label, Hazard (Small)	4
71	3431	Label, Headlamp Switch	1
72	4969	Label, Operating Instructions	1 set
73	3605	Label, "Choke" (T1800 only)	1
74	4972	Label, EEC Noise Level	1
75	1814	Battery, Positive Lead	1
76	1156	Setscrew, 1/4" UNF x 3/4" long	1
77	1997	Bolt, 3/8" UNF x 1 3/4" long	2
78	1982	Setscrew, 5/16" UNF x 3/4" long	3
79	1267	Bolt, 3/8" UNF x 2 1/2" long	1
80	2025	Bolt, 3/8" UNF x 2 3/4" long	1
81	3688	Setscrew, M5 x 25 mm long	2
82	3689	Nut, M5 Nyloc	2
83	1273	Nut, 5/16" UNF Nyloc	3
84	1324	Nut, 3/8" UNF Nyloc	4
85	1143	Machine Screw, 2BA x 7/8" long	3
86	1053	Nut, 2BA Nyloc	3
87	1962	Washer, 2BA	6
88	1105	Washer, 5/16" Dia (T3L)	18
89	4124	Washer, 3/8" Dia (T5L)	2
90	2847	Washer, 25/64" Dia x 7/8" OD	2
91	1233	Split Pin, 1/8" Dia x 3/4" long	2
92	3792	Locknut, 3/8" UNF	2
93	3460	Solenoid Earth lead	1
94	1331	Washer, 1/4" Dia	2



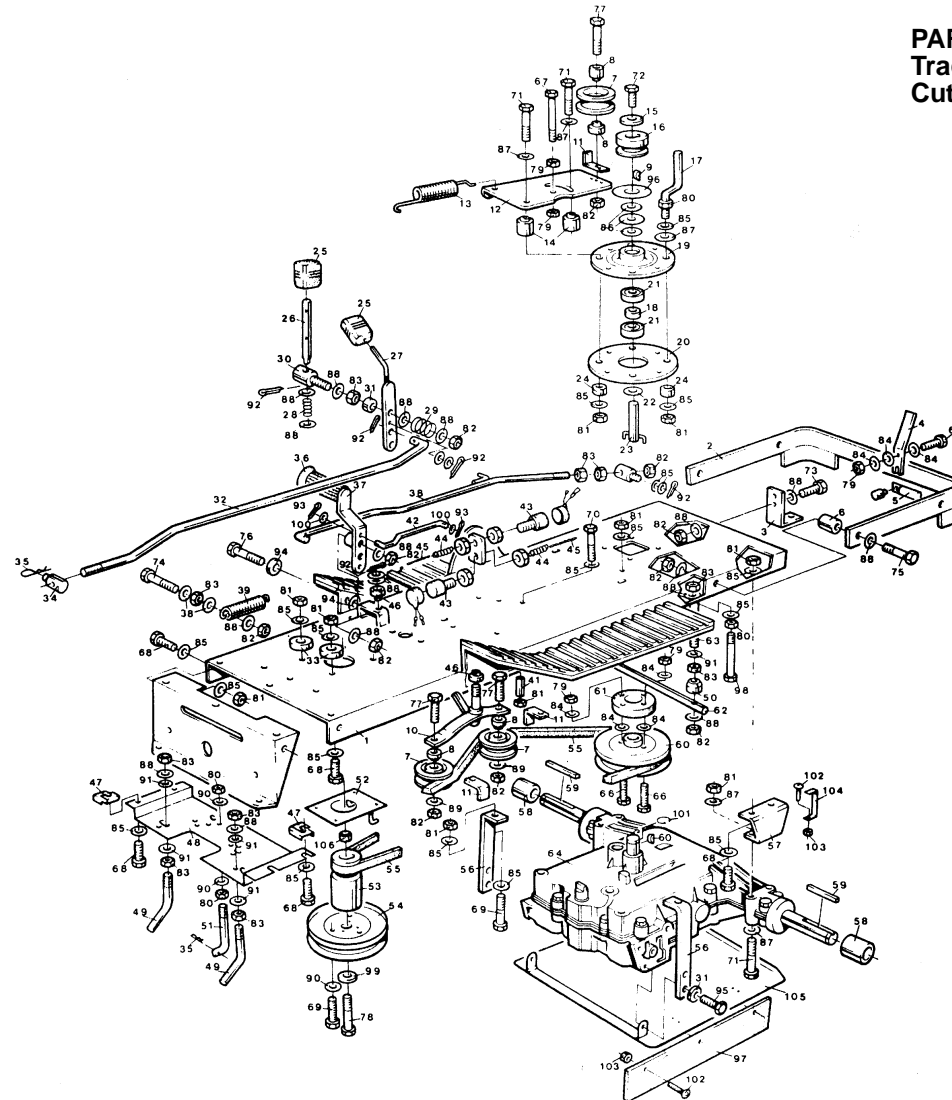
PARTS LIST FOR: Steering, Gear Change and Electrical Controls

Item	Part No	Description	Qty
95	4242	Washer, Special	1
96	2049	Washer, 5/8" Internal Shakeproof	1
97	2050	Roll Pin, 1/8" Dia x 1" long	2
98	2042	Nut, 1/4" UNF Nyloc	2
99	1976	Washer, 5/8" ID x 1" OD	1
100	2065	Nut, Ignition Switch	1
101	2080	Loom Tie	1
102	1553	Roll Pin, 1/8" Dia x 1 1/2" long	2
103	5840	Setscrew, M8 x 30 mm long	1
104	4180	Washer, M8	2
105	2044	Nut, M8, Nyloc	1
106	4309	"J" Type Nut	1
107	4962	Bracket Solenoid Mounting	1
108	3792	Locknut, 3/8" UNF	2
109	3957	Adaptor	1

Item	Part No	Description	Qty

Item	Part No	Description	Qty

**PARTS ILLUSTRATION FOR:
Tractor Chassis, PTO, Brake and
Cutter Engage Controls**



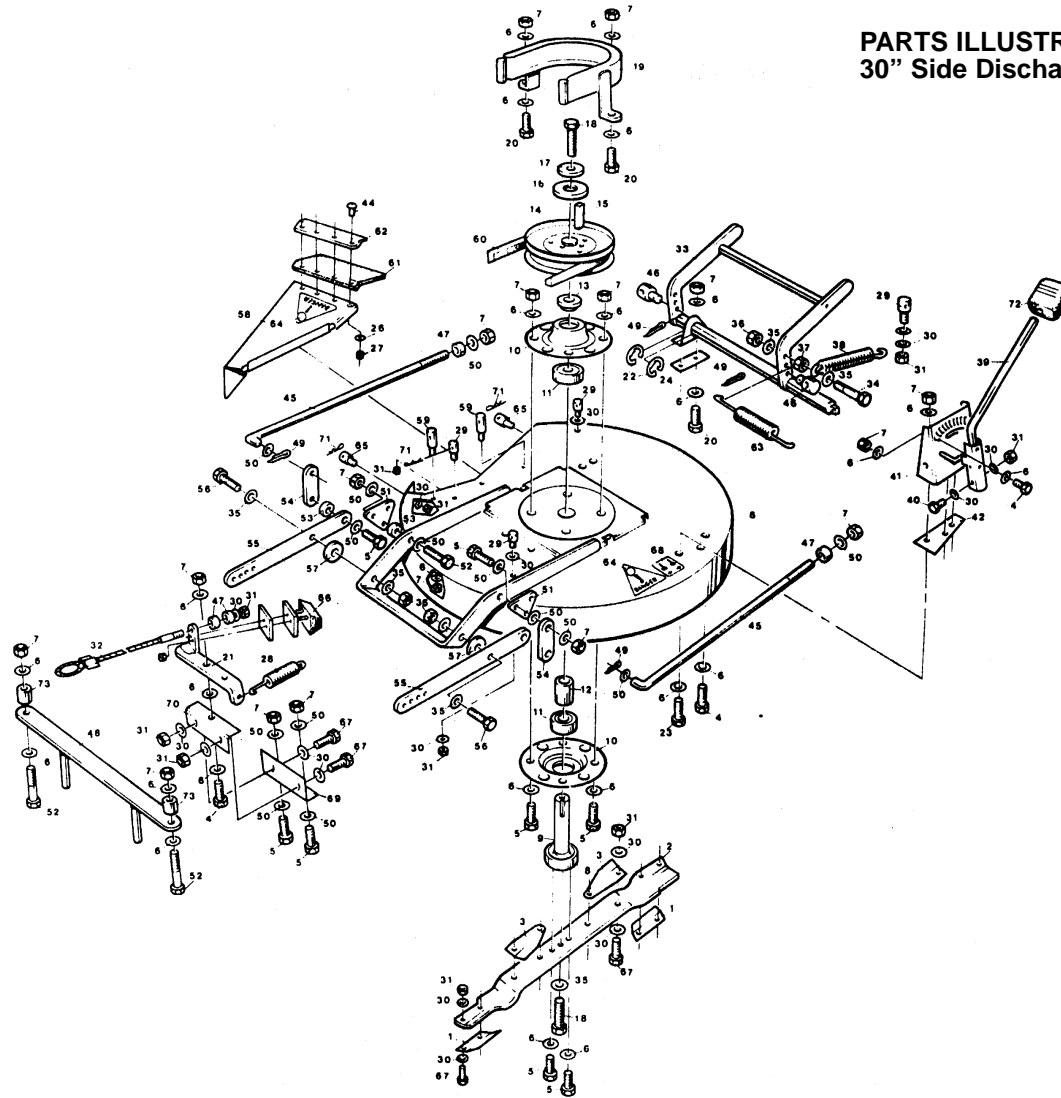
PARTS LIST FOR: Tractor Chassis, PTO, Brake and Cutter Engage Controls

Item	Part No	Description	Qty
1	4927	Chassis	1
2	4963	Accessory Mounting Frame	1
3	2246	Tow Hitch	2
4	3478	Lever	2
5	3682	Latch Pin	2
6	3117	Pivot Bush	2
7	2694	Jockey Pulley	3
8	5478	Shouldered Spacer (Jockey Pulley)	3
9	3728	Woodruff Key No. 806	
10	2715	Jockey Arm	1
11	5477	Belt Guide (Jockey Pulley)	3
12	2786	Jockey Plate	1
13	2791	Spring, Jockey Plate	1
14	2787	Shouldered Spacer (Jockey Plate)	2
15	1006	Hardened Dome Spring Washer	1
16	4337	PTO Drive Pulley	1
17	3378	Belt Guide (PTO)	1
18	4245	Bearing Spacer	1
19	3552	Bearing Housing (Upper)	1
20	3639	Bearing Housing (Lower)	1
21	1180	Bearing	2
22	3618	Washer (T Series only)	1
	4246	Spacer (T Series only)	1
23	4247	PTO Shaft (S Series only)	1
	4248	PTO Shaft (T Series only)	1
24	3748	Spacer, PTO Assembly	4
25	2648	Knob	2
26	2643	Park Brake Plunger	1
27	2644	Engage Lever	1
28	2003	Spring, Park Brake	1
29	1613	Spring, Engage Lever	1
30	2302	Pivot Boss	1
31	3683	Spacer	5
32	4340	Engage Rod	1
33	2351	Spacer, 1 1/4" OD x 25/64" ID x 1/2" long	4

Item	Part No	Description	Qty
	4893	Spacer, 1 1/4" OD x 25/64" ID x 1" long (Honda only)	4
34	1695	Swivel, Engage Rod	1
35	1225	'R' Clip	2
36	2009	Foot Pedal Rubber	1
37	2845	Foot Pedal Arm	1
38	1710	Brake Operating Arm	1
39	2103	Clutch Spring	1
40	5445	Engine Mounting Plate (T1800 only) Front (Not Illustrated)	1
	5446	Engine Mounting Plate (T1800 only) Rear (Not Illustrated)	1
41	2593	Gear Stop Spacer	1
42	3405	Rod (Brake Safety Switch)	1
43	3414	Safety Switch	2
44	3463	Tension Spring (Safety Switches)	2
45	1878	Chain Link	2
46	3540	Flanged Bush, 1/2" ID x 5/16" ID x 1/2" long	2
47	4254	Nut, 5/16" Captive	3
48	4255	Plate, Belt Guide	1
49	4256	Belt Guide	2
50	4328	Hanger Bar Spacer	1
51	2319	Retaining Pin	1
52	3487	Belt Guide Assembly	1
	3469	Belt Guide Assembly (T1600 and T1800 only)	1
53	2308	Engine Pulley Block	1
	4948	Spacer 25mm OD x 12mm ID x 1/2" long	
	3125	Spacer 25mm OD x 12mm x 1" long (Honda only)	
	1602	Drive Key, 1/4" square x 1" long	1
54	1558	Cutter Drive Pulley (T1200, T1800, T1600)	1

Item	Part No	Description	Qty
	3750	Cutter Drive Pulley (S800, S1100)	1
55	1688	Transmission Belt (1688-42-5654)	1
56	2851	Bracket, Transaxle Front Support	2
57	3482	Bracket, T/X Rear Support (T Series)	2
	3483	Bracket, T/X Rear Support (S Series)	2
58	1715	Spacer, Rear Wheel	2
59	1664	Key Parallel, 3/16" square x 2" long	2
60	3392	Transaxle Pulley	1
	3395	Transaxle Pulley (T1600 and T1800 only)	1
	1104	Woodruff key	1
61	3391	Flexible Drive Coupling	1
	3606	Spacers	2
62	3991	Hanger bar	1
63	3992	Support, Hanger Bar	2
64	2018	Transaxle, Peerless Type 832	1
	2019	Transaxle, Peerless Type 801-030 (T1800, T1600)	1
65	1156	Setscrew, 1/4" UNF x 3/4" long	2
66	2022	Bolt, 1/4" UNF x 1 1/4" long	2
67	3396	Bolt, 1/4" UNF x 2 1/2" long	1
68	1982	Setscrew, 5/16" UNF x 3/4" long	8
69	2031	Setscrew, 5/16" UNF x 1" long	5
70	1321	Bolt, 5/16" UNF x 1 1/2" long	4
71	1978	Bolt, 5/16" UNF x 2 1/2" long	6
72	1051	Setscrew, 3/8" UNF x 1" (Nyloc) long	1
73	2015	Setscrew, 3/8" UNF x 1" long	1
74	1948	Setscrew, 3/8" UNF x 1 1/4" long	1
75	1054	Bolt, 3/8" UNF x 1 1/2" long	2
76	1267	Bolt, 3/8" UNF x 2 1/2" long	1
77	2025	Bolt, 3/8" UNF x 2 3/4" long	3
78	3755	7/16" UNF x 3 1/2" long (Briggs & Stratton)	1
	3655	M10 x 90mm (Kohler and Kawasaki)	1
	4342	7/16" UNF 4 1/4" long (Honda)	1

**PARTS ILLUSTRATION FOR:
30" Side Discharge Cutter Deck**





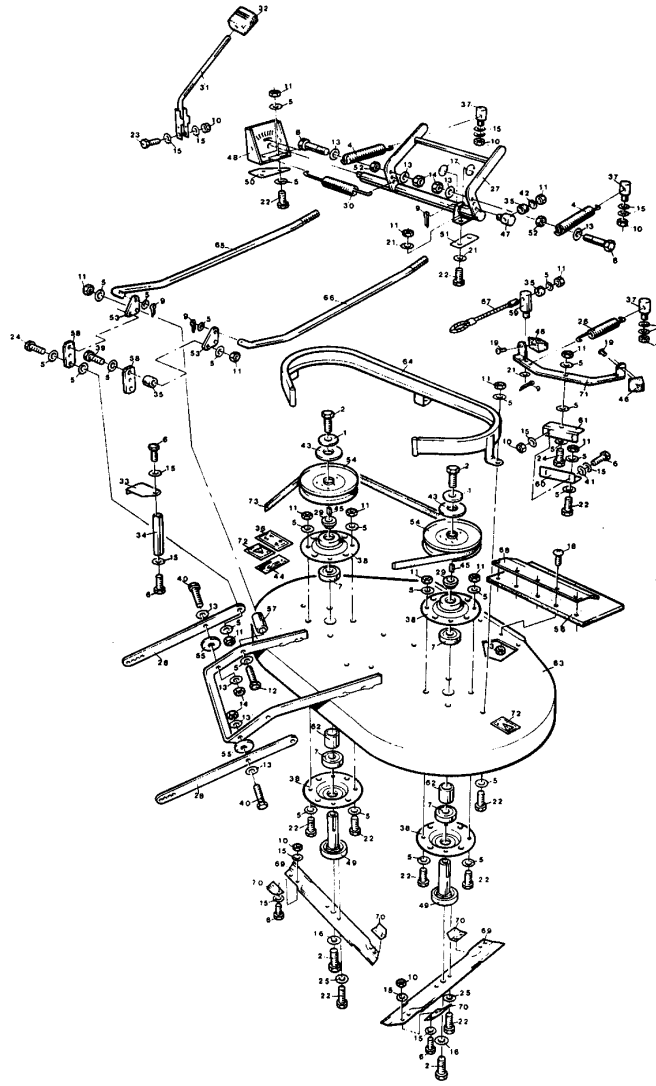
PARTS LIST FOR: 30" Side Discharge Cutter Deck

Item	Part No	Description	Qty
1	4314	Blade Extension, Small	2
2	5453	Blade, Heavy Duty	1
	6093	Reinforcing Strip 30" (for 5453 Blade - Not illustrated)	1
3	4317	Blade Extension, large	2
4	2031	Setscrew, 5/16" UNF x 1" long	2
5	1982	Setscrew, 5/16" UNF x 3/4" long	8
6	1970	Washer, 5/16" Plain (T4L)	33
7	1273	Nut, 5/16" UNF Nyloc	36
8	3871	Deck, Welded Assembly	1
9	3759	Cutter Shaft Assembly	1
10	3552	Bearing Housing	2
11	1180	Bearing, NSK 6205-RS	2
12	4848	Bearing Spacer	1
13	2412	Pulley Spacer	1
14	5435	Pulley 8" Dia	1
15	3728	Woodruff Key No. 806	1
16	3635	Washer, Special	1
17	1006	Washer, Hardened Domed	1
18	1051	Setscrew, 3/8" UNF x 1" long Nyloc	1
19	4877	Pulley Guard	1
20	1335	Bolt, 5/16" UNF x 1 1/4" long	2
21	3737	Brake Arm	1
22	1663	Circlip	2
23	3608	Setscrew, 5/16" UNF x 1 1/4" long	2
24	3781	Spacer Plate	1
25	1956	Screw, Self Tapping No. 8 x 1" long	2
26	1962	Washer 2BA Plain (T1)	9
27	1053	Nut 2BA Nyloc	5
28	2103	Tension Spring	1
29	3516	Pin, Spring Retainer	4
30	1331	Washer, 1/4" Plain (T3L)	19
31	1270	Nut, 1/4" UNF Nyloc	10
32	3739	Brake Cable Assembly	1
33	3884	Hanger Bar Assembly	1

Item	Part No	Description	Qty
34	1267	Bolt 3/8" UNF x 2 1/2" long	2
35	1323	Washer 3/8" Plain (T3L)	10
36	1324	Nut, 3/8" UNF Nyloc	4
37	1969	Nut, 5/16" UNF Locknut	2
38	2217	Tension Spring	2
39	3881	Height Adjuster Lever	1
40	2022	Bolt, 1/4" UNF x 1/4" long	1
41	3883	Height Adjuster Quadrant	1
42	2429	Reinforcing Plate	1
43		Not Allocated	
44	1735	Machine Screw 2BA x 3/4" long	5
45	3734	Hitch Rod	2
46	3740	Pivot, Hitch Rod	2
47	3329	Spacer 5/16" ID x 1/2" OD x 7/16" long	3
48	3746	Belt Guide Assembly	1
49	1667	Split Pin, 1/8" Dia x 1" long	2
50	1105	Washer, 5/16" Plain (T3L)	12
51	3907	Link Plate	2
52	1321	Bolt, 5/16" UNF x 1 1/2" long	2
53	3691	Bush, link	2
54	3760	Link Plate	2
55	2420	Hitch Bar	2
56	3610	Setscrew, 3/8" UNF x 1 1/2" long	2
57	4124	Washer, 3/8" Plain (T5)	2
58	3999	Cutter Guard Assembly	1
59	3995	Hinge Pillar	2
60	1767	Drive Belt, 42-5084	1
61	3905	Rubber Flap, Side Chute	1
62	3903	Retaining Plate	1
63	2595	Tension Spring	1
64	2945	Warning Label	2
65	3902	Retaining Pin	2
66	3730	Brake Block	1
67	1156	Setscrew 1/4" UNF x 3/4" long	2
68	3439	Height Adjuster Label	1

Item	Part No	Description	Qty
69	4319	Brake Arm Support (Fixed)	1
70	4320	Brake Arm Support (Adjustable)	1
71	1225	"R" Clip	3
72	2649	Knob	1
73	4372	Spacer, 5/16" ID x 3/4" OD x 1/2" long	2

**PARTS ILLUSTRATION FOR:
36" Standard Cutter Deck**





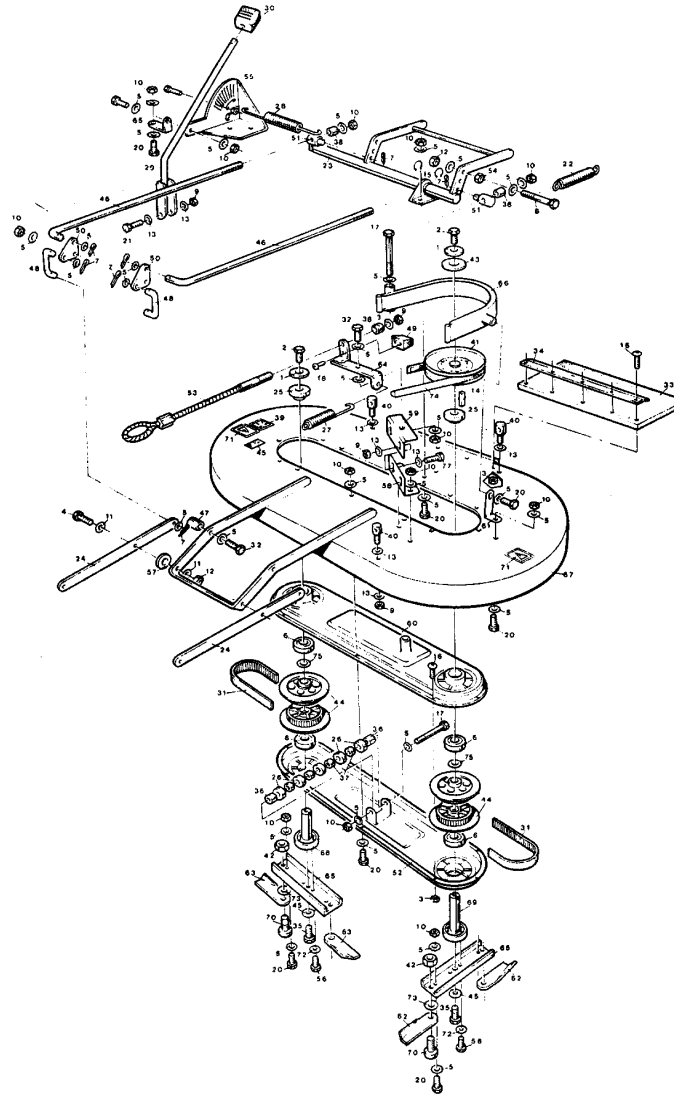
PARTS LIST FOR: 36" Standard Cutter Deck

Item	Part No	Description	Qty
1	1006	Washer, Hardened Domed	2
2	1051	Setscrew, 3/8" UNF x 1" LG Nyloc	4
3	1053	Nut, 2BA Nyloc	5
4	1076	Spring, Tension 4" long	2
5	1105	Washer, 5/16" Dia T3L	48
6	1156	Setscrew, 1/4" UNF x 3/4" long	12
7	1180	Bearing NSK 6205-RS	4
8	1200	Bolt, 3/8" UNF x 2 1/4" long	2
9	1233	Split Pin, 1/8" Dia x 3/4" long	5
10	1270	Nut, 1/4" UNF Nyloc	14
11	1273	Nut, 5/16" UNF Nyloc	26
12	1318	Bolt, 5/16" x 2" long	2
13	1323	Washer, 3/8" Dia T3L	8
14	1324	Nut, 3/8" UNF Nyloc	22
15	1331	Washer, 1/4" Dia T3L	22
16	1663	Washer, 3/8" Dia Internal Shakeproof	2
17	1663	"E" Clip AM1500-75	2
18	1735	Machine Screw, 2BA x 3/4" long	5
19	1956	Screw, No. 8 x 1" long, Self Tapping	4
20	1962	Washer, 2BA T1L	18
21	1970	Washer, 5/16" Dia T4L	4
22	1982	Setscrew, 5/16" UNF x 3/4" long	22
23	2022	Bolt, 1/4" UNF x 1 1/4" long	1
24	2031	Setscrew, 5/16" UNF x 1" long	3
25	2048	Washer, 5/16" Internal Shakeproof	4
26	2103	Spring, Tension	1
27	2395	Hanger Bracket Assembly	1
28	2410	Hitch Bar	2
29	2412	Bush, Pulley	2
30	2595	Spring, Tension	1
31	2646	Height Adjuster Lever	1
32	2649	Knob	1
33	3294	Safety Guard	1
34	3295	Safety Guard Post	1
35	3397	Spacer	5

Item	Part No	Description	Qty
36	3439	Label, Height Adjustment	1
37	3516	Spring Retainer	3
38	3552	Bearing Housing	4
39	3608	Setscrew, 5/16" UNF x 1 1/4" long	2
40	3610	Setscrew, 3/8" UNF x 1 1/2" long	2
41	3615	Washer, 1/4" Dia Internal Shakeproof	2
42	3616	Washer, 5/16" Dia T4H	2
43	3635	Washer	2
44	3668	Label, Serial No.	1
45	3728	Key, Woodruff No. 806	2
46	3730	Brake Block	2
47	3740	Pivot, Lift Rod	2
48	3753	Height Adjuster Quadrant	1
49	3759	Cutter Shaft	2
50	3779	Spacer Plate (Quadrant)	1
51	3781	Spacer Plate (Hanger Bracket)	1
52	3792	Locknut, 3/8" UNF	2
53	3907	Link Plate	2
54	3943	Pulley	2
55	4124	Washer, 3/8" Dia T5L	2
56	4220	Rubber Flap	1
57	4221	Bush Link	2
58	4225	Link Arm	2
59	4232	Brake Arm Pillar	1
60		See Item No. 61	
61	4320	Brake Arm Bridge (Adjustable)	2
62	4848	Bearing Spacer	2
63	4934	Cutter Deck Shell	1
64	4937	Pulley/Belt Guard	1
65	4939	Hitch Rod, RH	1
66	4940	Hitch Rod, LH	1
67	4941	Brake Cable	1
68	4942	Retaining Strip	1
69	4943	Blade	2
70	4944	Blade Extension	4

Item	Part No	Description	Qty
71	4946	Brake Arm	1
72	4968	Label, Hazard, Large	2
73	1721	Belt (B69) Dayco 1721-42-4908	1
	2695	Belt (B71) T1600 x T1800 only	1

**PARTS ILLUSTRATION FOR:
42" Contra-Rotating Cutter Deck**



PARTS LIST FOR: 42" Contra-Rotating Cutter Deck

Item	Part No	Description	Qty
1	1006	Washer Hardened Dome	2
2	1051	Setscrew, 3/8" UNF x 1" LG Nyloc	2
3	1053	Nut, 2BA Nut Nyloc	9
4	1054	Bolt, 3/8" UNF x 1.5" long	2
5	1105	Washer, 5/16" T3L	59
6	1180	Bearing NSK 6205-RS	4
7	1233	Split Pin, 1/8" Dia x 3/4" LG	8
8	1257	Bolt, 3/8" UNF x 2 1/2" LG	2
9	1270	Nut, 1/4" UNF Nut Nyloc	5
10	1273	Nut, 5/16" UNF Nut Nyloc	21
11	1323	Washer, 3/8" T3L	4
12	1324	Nut, 3/8" UNF Nut Nyloc	4
13	1331	Washer, 1/4" T3L	6
14	4815	Key Parallel, 1/4" SQ x 7/8" LG	1
15	1563	Clip "E" Spring A 1500-75 (DRG M135)	2
16	1735	Machine Screw, 2BA x 3/4" LG Pozi-Pan	9
17	1933	Bolt, 5/16" UNF x 3.5" LG	2
18	1956	Screw, No. 8 x 1" LG Selftap Pozi-Driv	2
19	1962	Washer, 2BA T1	14
20	1982	Setscrew, 5/16" UNF x 3/4" LG	13
21	2022	Bolt, 1/4" UNF x 1 1/4" LG	1
22	2217	Tension Spring	2
23	2395	Hanger Bracket Assy	1
24	2410	Hitch Bar	2
25	2412	Pulley Bush	2
26	2445	Bearing NSK 608 2RS 1QE6	5
27	2594	Tension Spring	1
28	2595	Tension Spring	1
29	2646	Height Adjuster Lever Assy	1
30	2649	Knob	1
31	2660	Belt, Toothed 1440 8M20	1
32	2638	Setscrew, 5/16" UNC x 1 1/4" LG	5

Item	Part No	Description	Qty
33	3286	Rubber Flap	1
34	3287	Rubber Flap Retaining Strip	1
35	1948	Setscrew, 3/8" UNF x 1 1/4" long	2
36	3329	Bridge Roller Spacer, 1/2" OD x 8.2 mm ID x 7/16" LG	3
37	3338	Bridge Roller Spacer, 1/2" OD x 5/16" ID x 1/8" LG	3
38	3397	Spacer, 0.5" Dia x 0.25"	3
39	3439	Label Height Adjustment	1
40	3516	Swivel Bar Pin & Spring Retainer	3
41	3548	Pulley Assy 7" Dia Deep Draw	1
42	3585	Nut, Locknut M12 Fine Pitch	4
43	3635	Washer, 2.75" Dia x 30 mm ID x 10G	1
44	3636	Pulley, Toothed H.T.D.	2
45	1633	Washer, 3/8" Dia Internal Shakeproof	2
46	3690	Hitch Rod	2
47	3691	Bush, Link	2
48	3694	Hitch Bent Link	2
49	3730	Brake Block	1
50	3735	Link Plate	2
51	3740	Lift Rod Pivot	2
52	3778	Belt Case Assy, Lower	1
53	3783	Brake Cable Assy	1
54	3792	Nut, 3/8" UNF Locknut	2
55	3794	Height Adjuster Plate Assy	1
56	4107	Setscrew, 5/16" UNF x 1/2" LG Nyloc	8
57	4124	Washer, 3/8" T5 (See item 59)	3
58			
59	4320	Brake Arm Bridge (adjustable)	1
60	4690	Belt Case Assy Upper 42C	1
61	4694	Belt Guard Fixing Bracket	1
62	4870	Blade, Swing LH	2
63	4871	Blade, Swing RH	2
64	4875	Brake Arm Assy	1
65	4316	Blade Carrier, Heavy Duty	2

Item	Part No	Description	Qty
66	4877	Drive Pulley Guard Assy	1
67	4880	Deck Welded Assy	1
68	4882	Cutter Shaft Sub-Assy (Short)	1
69	4883	Cutter Shaft Sub-Assy (Long)	1
70	4885	Pivot Bolt AISI 4042	4
71	4968	Label, Hazard Large	2
72	2048	Washer, 5/16" Internal Shakeproof	4
73	4126	Washer, 5/8" ID x 1" OD	4
74	2226	Drive Belt Dayco 42/7699	1
75	5720	Washer	2
	2444	Bridge Roller Assembly Complete	1
	4817	Belt Case Assembly Complete	1