

MODEL '90
 TN195 SXX .SEK
 キャタクター部
 GEAR CASE

① 71008-205(GEAR CASE ASS'Y)

② 51001-195

③ 61002-163

④ 31057-126

⑤ 68001-110

⑥ 61002-161

⑦ 91097-101

⑧ 717 B 0418

⑨ 812 V 1800

⑩ 11097-106

⑪ 61024-117

⑫ 78001-128

⑬ 11129-104

⑭ 64014-181

⑮ 214 B 11000

⑯ 68013-167

⑰ 31034-122

⑱ 64014-157

⑲ 61024-118

⑳ 78004-139

㉑ 78004-140

㉒ 61024-118

㉓ 51001-196

㉔ 64024-104

㉕ 315 L 0625(3)

㉖ 61002-162

㉗ 61002-163

㉘ 11006-101

㉙ 318 L 0612

㉚ 315 L 0635(2)

㉛ 571 L 0500

㉜ 611 L 0500

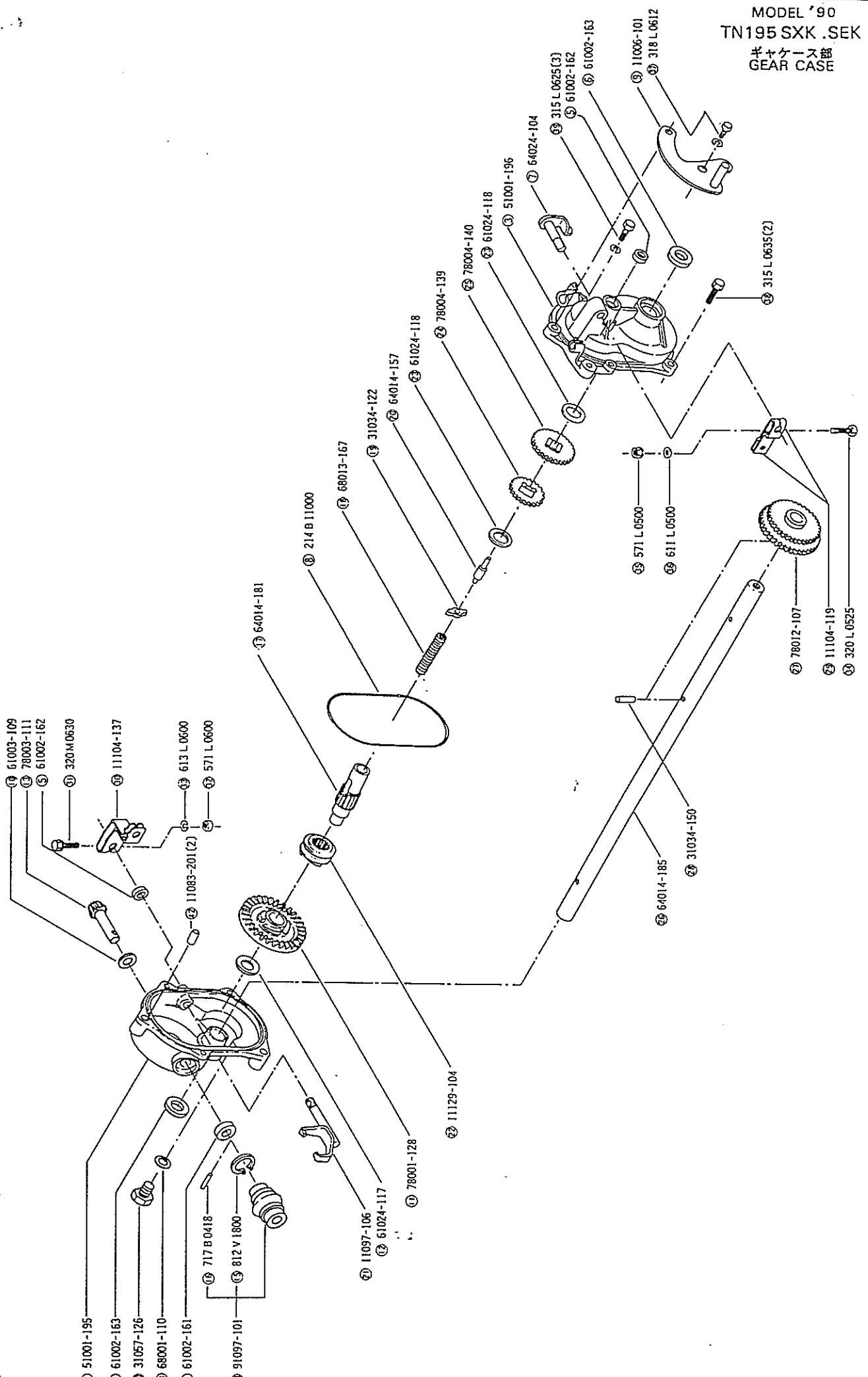
㉝ 78012-107

㉞ 11104-119

㉟ 320 L 0525

㊱ 64014-185

㊲ 31034-150



PARTS LIST

MODEL : TN195 SYK, SEK (GEAR CASE)

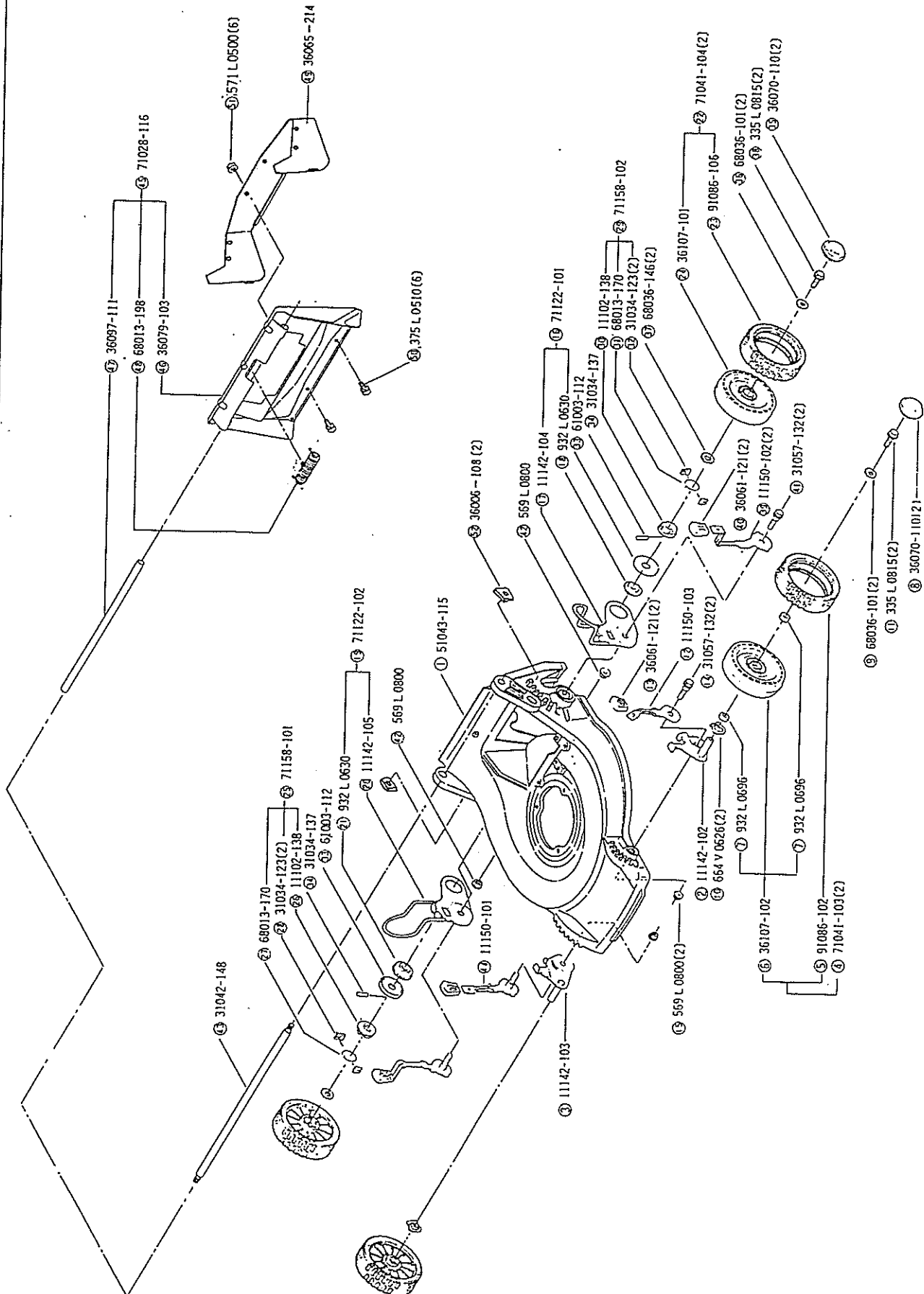
'90 Spec.

Nov. 21, 1990

E. Kanoh

1 / 2

REF. NO.	PARTS NO.	PARTS NAME	Q'TY	PRICE(¥)	Q'TY /100 SETS /YEAR	REMARKS
1	71008-205	GEAR CASE ASS'Y	1	28,750	3	
2	51001-195	GEAR CASE	(1)	4,140	3	
3	51001-196	GEAR CASE	(1)	4,140	3	
4	61002-161	OIL SEAL SD 10 20 5	(1)	80	5	
5	61002-162	OIL SEAL SD 8 14 4	(2)	60	10	
6	61002-163	OIL SEAL SD 15 24 5	(2)	80	10	
7	64024-104	SHIFTER SHAFT	(1)	340	3	
8	214B11000	O-RING S110	(1)	150	5	
9	11006-101	STAY C.P.	(1)	340	3	
10	61003-109	SPACER	(1)	50	5	
11	78001-128	BEVEL GEAR	(1)	2,420	3	
12	61024-117	SPACER	(1)	60	5	
13	78003-111	PINION	(1)	1,180	3	
14	91097-101	UNIVERSAL JOINT	(1)	1,900	3	
15	812V1800	C-SNAP RING FOR SHAFT ϕ 18	((1))	30	1	
16	717B0418	PARALLEL PIN ϕ 4x18	((1))	50	3	
17	64014-181	SHAFT	(1)	1,500	3	
18	68013-167	SPRING	(1)	85	3	
19	31034-122	PIN	(1)	120	3	
20	64014-157	SHAFT	(1)	340	3	
21	11097-106	SHIFTER FORK	(1)	970	3	
22	11129-104	CLUTCH	(1)	1,040	3	
23	61024-118	SPACER	(2)	60	6	
24	78004-139	GEAR	(1)	870	3	
25	78004-140	GEAR	(1)	1,150	3	
26	64014-185	SHAFT	(1)	1,730	3	
27	78012-107	GEAR C.P.	(1)	2,530	3	
28	31034-150	PIN	(1)	90	3	
29	11104-119	ARM	(1)	250	3	
30	11104-137	ARM	(1)	340	3	

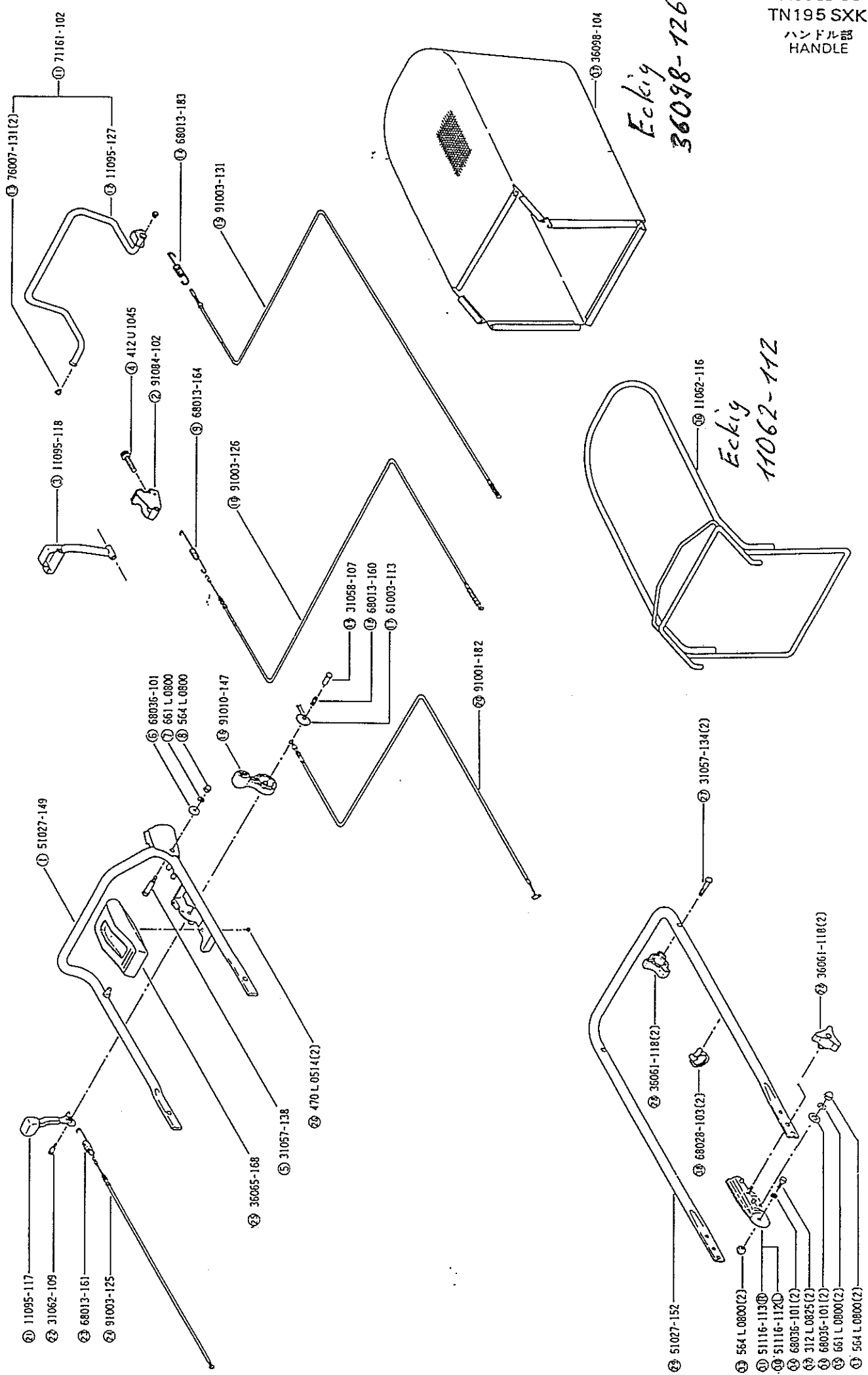


PARTS LIST

MODEL : TN195 SXK,SEK (WHEEL)

'90 Spec.

						Nov. 22,1990	E.Kanoh	1 / 2
REF. NO.	PARTS NO.	PARTS NAME	Q'TY	PRICE(¥)	Q'TY /100 SETS /YEAR	REMARKS		
1	51043-115	HOUSING	1	31,630	3			
2	11142-102	ADJUSTER	1	890	3	(L)		
3	11142-103	ADJUSTER	1	890	3	(R)		
4	71041-103	WHEEL ASS'Y	2	2,300	6			
5	91086-102	TIRE	(1)	980	15			
6	36107-102	WHEEL	(1)	1,330	3			
7	932L0696	BEARING	((2))	170	10			
8	36070-110	CAP	2	140	6			
9	68036-101	WASHER	2	40	6			
10	664V0626	WAVE SPRING WASHER	M6x26	2	20	6		
11	335L0815	FLANGE BOLT	M8x15	2	70	6		
12	11150-103	ADJUST LEVER	1	560	3			
13	36061-121	KNOB	2	170	6			
14	31057-132	HEXAGON BOLT	2	270	6			
15	569L0800	FLANGE NYLON NUT	M8	2	40	6		
16	71122-101	ADJUSTER ASS'Y	1	1,380	3	(L)		
17	11142-104	ADJUSTER	(1)	1,070	3			
18	932L0630	BEARING	(1)	270	5			
19	71122-102	ADJUSTER ASS'Y	1	1,380	3	(R)		
20	11142-105	ADJUSTER	(1)	1,070	3			
21	932L0630	BEARING	(1)	270	5			
22	71041-104	WHEEL ASS'Y	2	2,190	6			
23	91086-106	TIRE	(1)	1,490	15			
24	36107-101	WHEEL	(1)	1,210	3			
25	71158-101	RATCHET ASS'Y	1	750	3	(R)		
26	11102-138	HOLDER	(1)	430	3			
27	68013-170	SPRING	(1)	190	5			
28	31034-123	PIN	(2)	120	6			
29	71158-102	RATCHET ASS'Y	1	750	3	(L)		
30	11102-138	HOLDER	(1)	430	3			



Eckig
36098-126

Eckig
11062-112

PARTS LIST

MODEL : TN195 SXK (HANDLE)

'90 Spec.

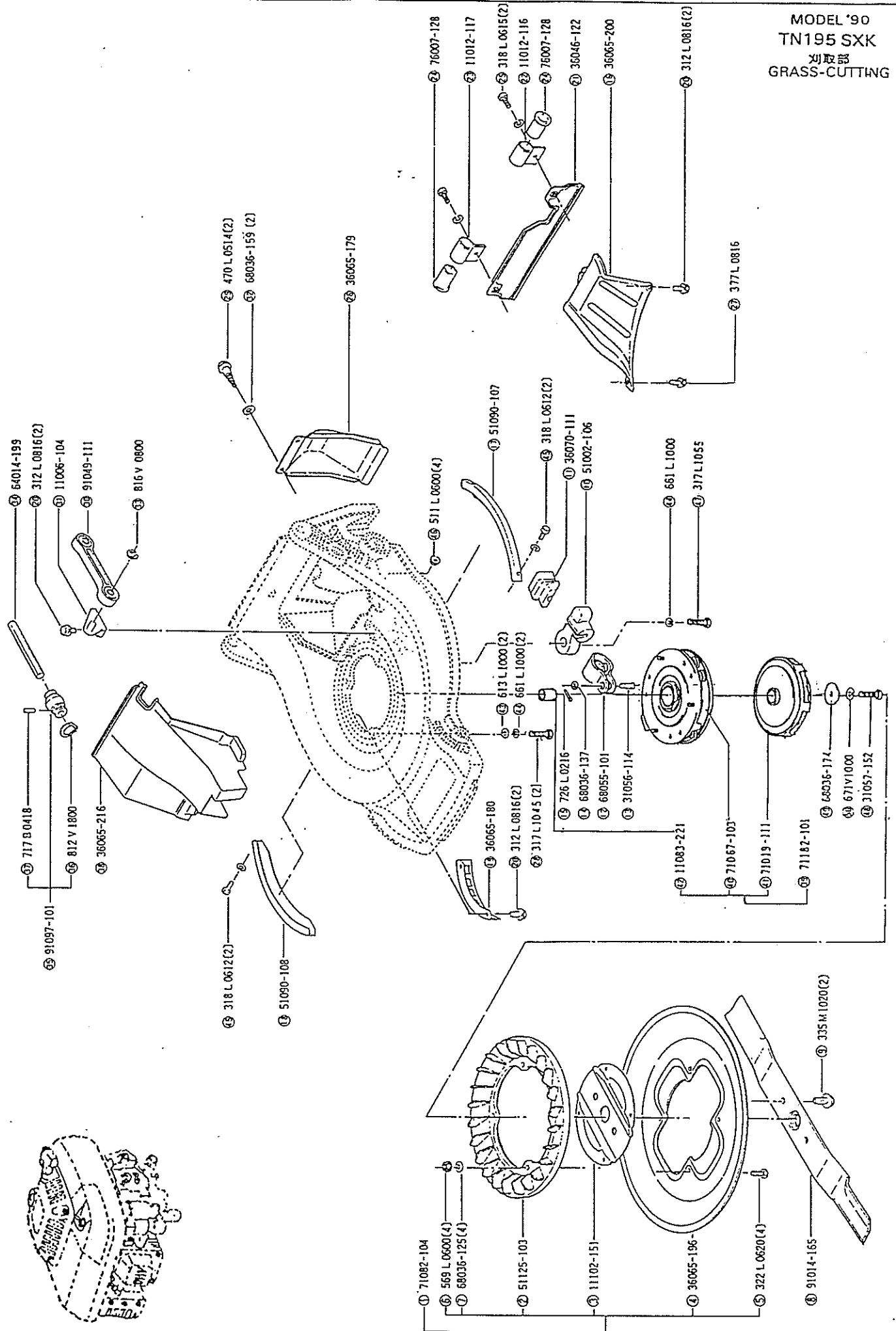
Nov. 27, 1990

E. Kanoh

1 / 2

REF. NO.	PARTS NO.	PARTS NAME	Q'TY	PRICE(¥)	Q'TY /100 SETS /YEAR	REMARKS
1	51027-149	HANDLE	1	7,480	3	
2	91084-102	JOINT RINK	1	1,130	5	
3	11095-118	LEVER	1	1,610	10	
4	412U1045	SOCKET SCREW M10x45	1	80	10	
5	31057-138	HEXAGON BOLT	1	490	10	
6	68036-101	WASHER	1	40	3	
7	661L0800	SPRING LOCK WASHER M8	1	10	3	
8	564L0800	HEXAGON CAP NUT M8	1	35	3	
9	68013-164	SPRING	1	410	3	
10	91003-126	CONTROL CABLE	1	1,270	15	
11	71161-102	LEVER ASS'Y	1	1,910	5	
12	11095-127	LEVER	(1)	1,840	3	
13	76007-131	BUSH	(2)	40	30	
14	68013-183	SPRING	1	410	5	
15	91003-131	CONTROL CABLE	1	1,040	5	
16	91010-147	THROTTLE LEVER	1	450	10	
17	61003-113	THRUST PLATE	1	120	5	
18	68013-160	SPRING	1	110	3	
19	31058-107	HEXAGON NUT	1	200	3	
20	91001-182	THROTTLE WIRE	1	1,060	10	
21	11095-117	LEVER	1	1,270	3	
22	31062-109	PRE-COAT LOCK BOLT	1	85	5	
23	68013-161	SPRING	1	320	3	
24	91003-125	CONTROL CABLE	1	920	5	
25	36065-168	COVER	1	1,040	3	
26	470L0514	(+) TAPPING SCREW M5x14	2	20	6	
27	31057-134	BOLT	2	130	6	
28	36061-118	KNOB	4	370	12	
29	51027-152	HANDLE	1	3,570	3	
30	51116-112	HANDLE BRACKET	1	1,210	3	(L)

MODEL '90
TN195 SXX
刈草機
GRASS-CUTTING



PARTS LIST

MODEL : TN 195 SXK (GRASS-CUTTING)

'90 Spec.

Nov. 26, 1990

E. Kanoh

1 / 2

REF. NO.	PARTS NO.	PARTS NAME	Q'TY	PRICE(¥)	Q'TY /100 SETS /YEAR	REMARKS
1	71082-104	FAN ASS'Y	1	3,740	3	
2	51125-103	FAN	(1)	1,270	5	
3	11102-151	HOLDER	(1)	1,040	5	
4	36065-196	COVER	(1)	1,130	3	
5	322L0620	(+) HEXAGON BOLT M6x20	(4)	40	20	
6	569L0600	FLANGE NYLON NUT M6	(4)	40	12	
7	68036-125	WASHER	(4)	30	12	
8	91014-165	BLADE	1	1,960	15	
9	335M1020	FLANGE BOLT M10x20	2	110	30	
10	51002-106	WIRE HOLDER	1	1,150	3	
11	36070-111	CAP	1	170	3	
12	68055-101	JOINT	1	130	10	
13	31056-114	GIB-HEADED PIN	1	90	10	
14	68036-137	WASHER	1	50	10	
15	726L0216	SPLIT PIN ϕ 2x16	1	25	10	
16	36065-200	COVER	1	1,330	3	
17	51090-107	PROTECTOR	1	520	3	(L)
18	51090-108	PROTECTOR	1	520	3	(R)
19	36065-180	COVER	1	430	3	
20	312L0816	HEXAGON BOLT(W/SW) M8x16	6	30	72	
21	36046-122	SAFETY GUARD	1	920	3	
22	11012-116	HANGER BAND	1	230	3	(L)
23	11012-117	HANGER BAND	1	230	3	(R)
24	76007-128	BUSH	2	230	30	
25	318L0615	(+) HEXAGON BOLT(W/SW) M6x15	2	30	6	
26	36065-179	COVER	1	480	3	
27	377L0816	(+) BINDING SCREW M8x16	1	35	12	
28	317L1045	HEXAGON BOLT M10x45	2	55	6	
29	470L0514	(+) TAPPING SCREW M5x14	2	20	6	
30	91049-111	CONNECTOR	1	890	3	

