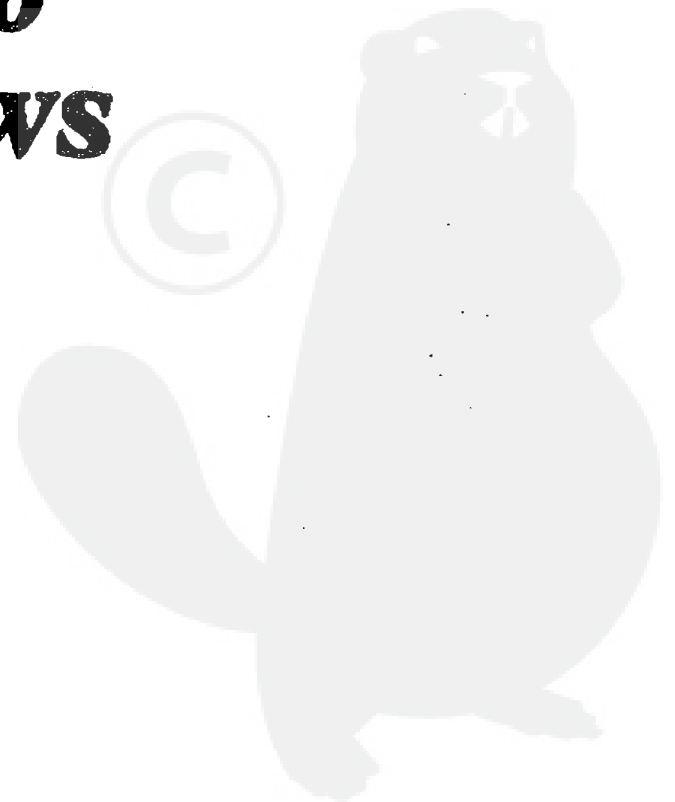


***Tracteur Tondeuse***

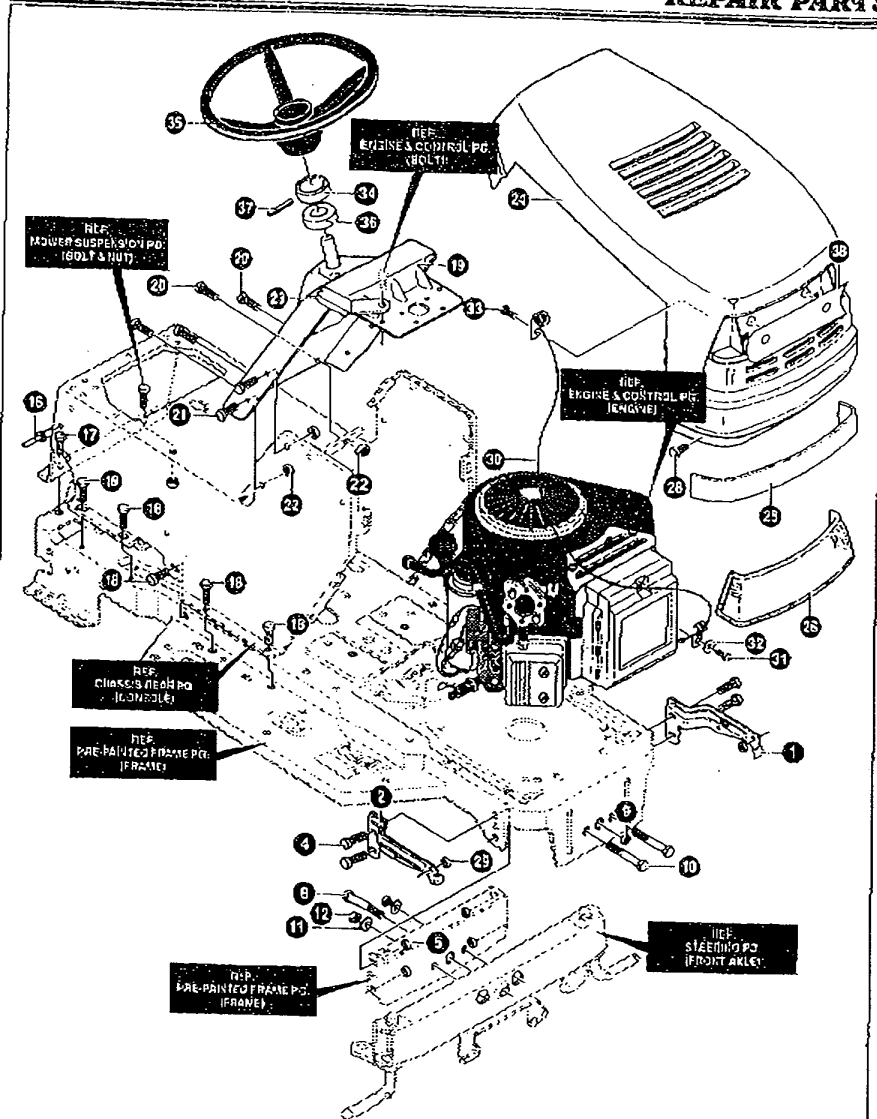
***Model G3560330***

***Modèle G 1656-4WS***



G3560330

REPAIR PARTS



NOTE: ALWAYS USE ORIGINAL EQUIPMENT PARTS. Use of service/replacement parts other than original equipment parts may void your warranty.

ALL UNNUMBERED ITEMS ARE INTERCHANGEABLE WITH OPPOSITE SIDE

54908A

G3560330

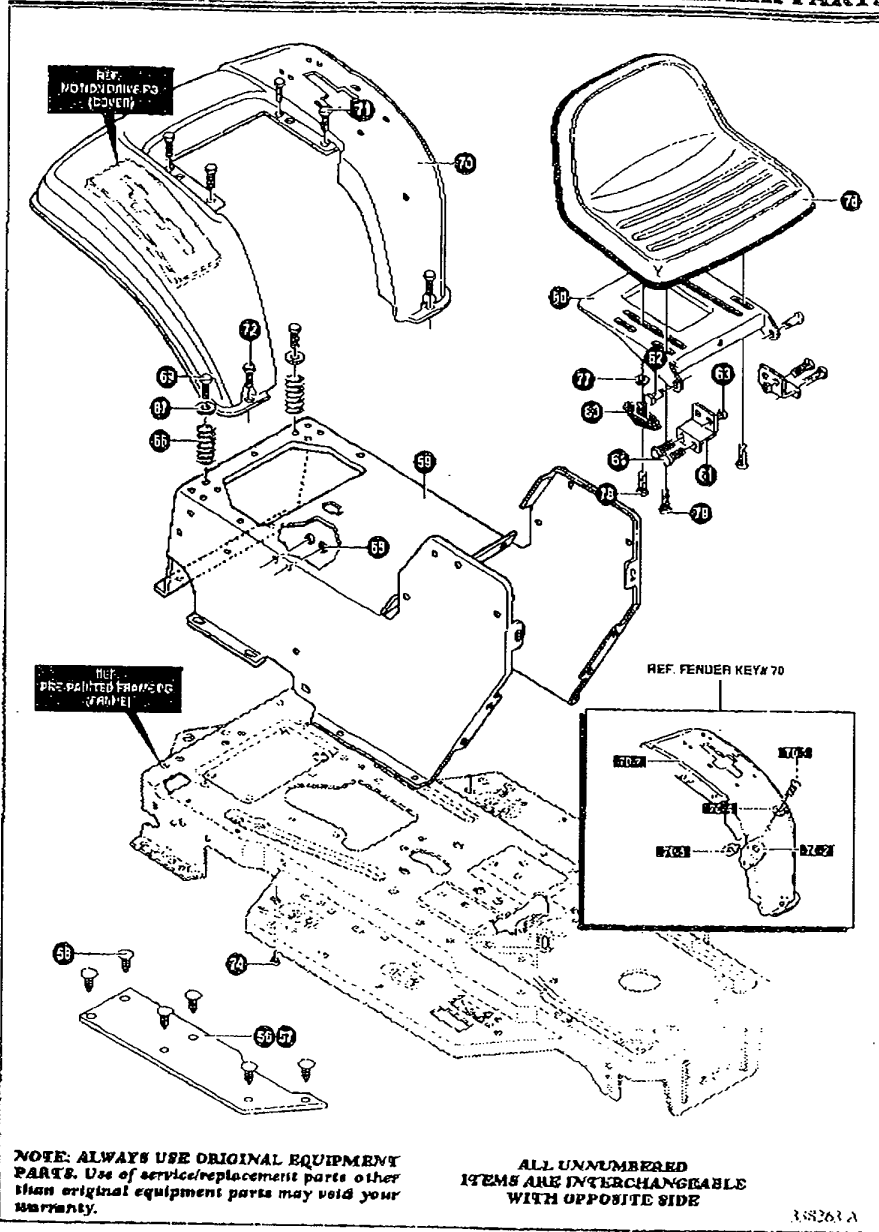
FRONT CHASSIS & HOOD ASSEM

KEY#	PART#	DESCRIPTION	QTY
1	337613-853	BRACKET, GRILLE, LH	1
2	337614-853	BRACKET, GRILLE, RH	1
4	56030	SCREW, 5/16-18 X .75	1
5	55273	NUT, 5/16-18	4
8	308207	BOLT, .625 X 2.18	4
9	309008	NUT, 1/2-13	1
10	180138	SCREW, 3/8-16 X 3.00	1
11	2483	WASHER, .39ID X 1.25D X .07	2
12	1499	NUT, 3/8-16	2
16	46763	RIVET, POP	2
17	35497	SCREW, 5/16-18 X .50	3
18	995346	SCREW, 1/4-20 X .50	1
19	309447-860	DASH	10
20	44811	SCREW, 1/4-20 X .75	1
21	995346	SCREW, 1/4-20 X .50	4
22	50352	NUT, 1/4-20	4
23	313021-860	GUIDE, HOOD	4
24	304188	HOOD, H-15	2
25	319986	DECAL, TAPE H15	1
26	302670	LENS, HEADLAMP	1
28	56676	BOLT, .375 X .580	1
29	1498	NUT, 5/16-18	2
30	311094	LANYARD, HOOD 11.75LG	2
31	180020	SCREW, 1/4-20 X .75	1
32	120380	WASHER, .263 X .49 X .07	1
33	49050	SCREW, 1/4-10 X .75	1
34	331322	COVER, STEERING SHAFT	1
35	330848	STEERING WHEEL	1
36	301413	SPACER, STEERING SHAFT	1
37	456378	PIN, SPRING	1
38	308492	FOIL, LENS HOOD REFLECTOR	1
	327627	GRASS CATCHER MANUAL	1
	328195	AIR ASSIST MANUAL (ENGLISH)	1
	330272	AIR ASSIST MANUAL (FRENCH)	1
	330273	AIR ASSIST MANUAL (GERMAN)	1
	339567	OPERATOR'S MANUAL	1

G3560330

REPAIR PARTS

G3560330



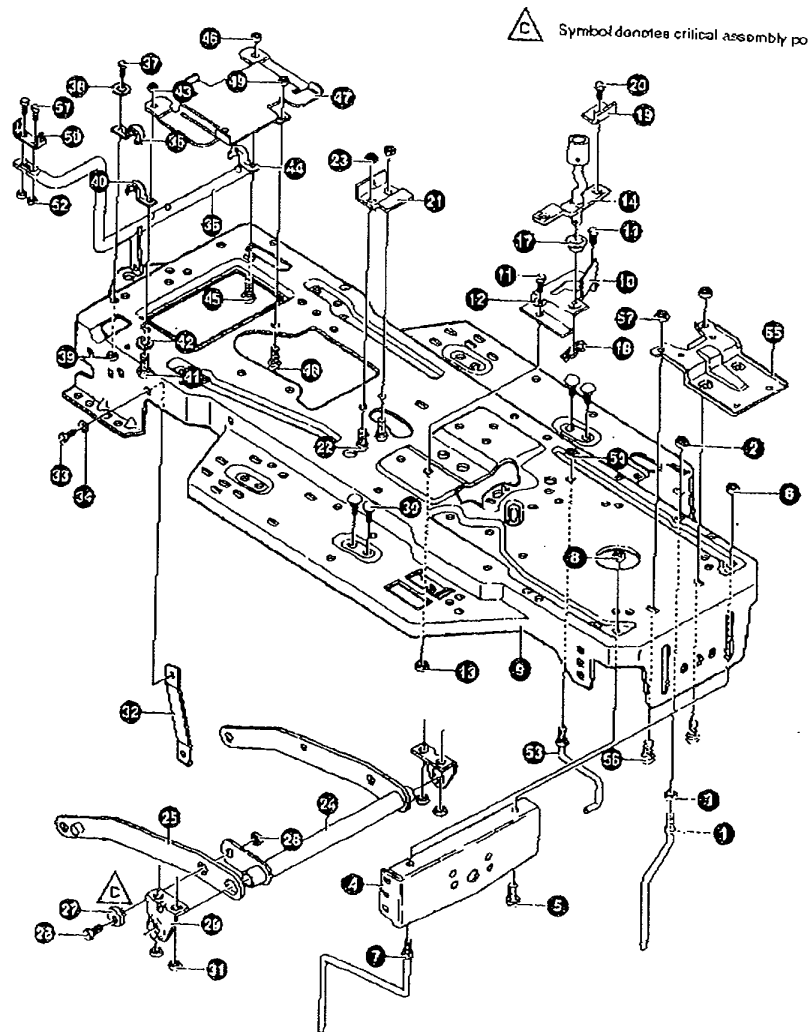
KEY#	PART#	DESCRIPTION	QTY
56	310005	FOOT PAD, LH	1
57	310006	FOOT PAD, RH	1
58	309235	FASTENER, RATCHET	12
59	308665-860	CONSOLE	1
60	331535-860	PLATE, SEAT	1
61	310660-860	BRACKET, SEAT SUPPORT	2
62	20507	BOLT, .437 X .156	2
63	1498	NUT, 5/16-18	2
64	48901	SCREW, 5/16-18 X .63	4
65	1498	NUT, 5/16-18	4
66	337427	SPRING, SEAT	2
67	120392	WASHER, FLAT .281 X .63 X .065	2
68	995346	SCREW, 1/4-20 X .50	2
70	*	ASSEMBLY, FENDER	1
70-1	327471-860	FENDER	1
70-2	9239	CLEVIS	1
70-3	439455	SCREW, 5/16-18 X .56	1
70-4	301551	WASHER, .344 ID X 1.50 D X .09	1
70-5	120373	NUT, 5/16-18 SQ	1
71	995346	SCREW, 1/4-20 X .50	4
72	126358	BOLT, 5/16-18 X 1.00	2
74	1498	NUT, 5/16-18	2
76	331527	SEAT	1
77	120393	WASHER, FLAT .344 X .69 X .065	1
78	180079	SCREW, 5/16-18 X 1.00	1
79	331637	BOLT, .500 X .10	2
80	643958	HANDLE, WING NUT	1

\* ORDER INDIVIDUAL PARTS - ASSEMBLY NOT AVAILABLE

348263 A

G3560330

REPAIR PARTS



KEY#	PART#	DESCRIPTION	QTY
1	327376	GUIDE, BELT	1
2	124824	NUT, 5/16-18	1
3	271190	NUT, 3/8-16	1
4	313541	BRACKET, FRONT AXLE	1
5	56030	SCREW, 5/16-18 X .75	1
6	55273	NUT, 5/16-18	1
7	300440	GUIDE, BELT	1
8	1498	NUT, 5/16-18	1
9	335697-860	FRAME, MAIN	1
10	320075	BRACKET, CLUTCH ENGAGE LEVER	1
11	180079	SCREW, 5/16-18 X 1.00	1
12	120393	WASHER, FLAT .344 X .69 X .065	2
13	1498	NUT, 5/16-18	2
14	338048	ASSEMBLY, CLUTCH LEVER LOWER	1
17	50148	BEARING, FLANGE	1
18	8260	PIN, HAIR	1
19	9400	BRACKET, SWITCH ENGAGE	1
20	35498	SCREW, 5/16-18 X .75	1
21	300698	BRACKET, FRAME CABLE	1
22	180020	SCREW, 1/4-20 X .75	1
23	1502	NUT, 1/4-20	2
24	300158	LIFT ASSEMBLY, LH	2
25	300169	LIFT ASSEMBLY, RH	1
26	180079	SCREW, 5/16-18 X 1.00	1
27	58247	NUT, ADJUST	1
28	1498	NUT, 5/16-18	1
29	58248	BRACKET, REAR HANG	1
30	57072	BOLT, 5/16-18 X .63	2
31	1498	NUT, 5/16-18	4
32	333959	BRACKET, STABILIZER	4
33	35498	SCREW, 5/16-18 X .75	1
34	120638	WASHER, .328 X .60 X .09	1
35	336646	LEVER, SHIFT-LOWER ASSEMBLY	1
36	310347	CLIP, SHIFT LEVER	1
37	180077	SCREW, 5/16-18 X .75	1
38	996416	WASHER, FLAT .391 X 1.00 X .125	1
39	1498	NUT, 5/16-18	1
40	310347	CLIP, SHIFT LEVER	1
41	180077	SCREW, 5/16-18 X .75	1
42	120393	WASHER, FLAT .344 X .69 X .065	1
43	1498	NUT, 5/16-18	1
44	310347	CLIP, SHIFT LEVER	1
45	180077	SCREW, 5/16-18 X .75	1
46	1498	NUT, 5/16-18	1
47	335242	SHELF, BATTERY	1
48	180020	SCREW, 1/4-20 X .75	1
49	1502	NUT, 1/4-20	1
50	310356	BRACKET, PIVOT SHIFT LEVER	1
51	180020	SCREW, 1/4-20 X .75	1
52	1502	NUT, 1/4-20	2
53	304016	GUIDE, BELT, RH	2
54	1498	NUT, 5/16-18	1
55	304709	BRACKET, MUFFLER	1
56	56030	SCREW, 5/16-18 X .75	1
57	55273	NUT, 5/16-18	2

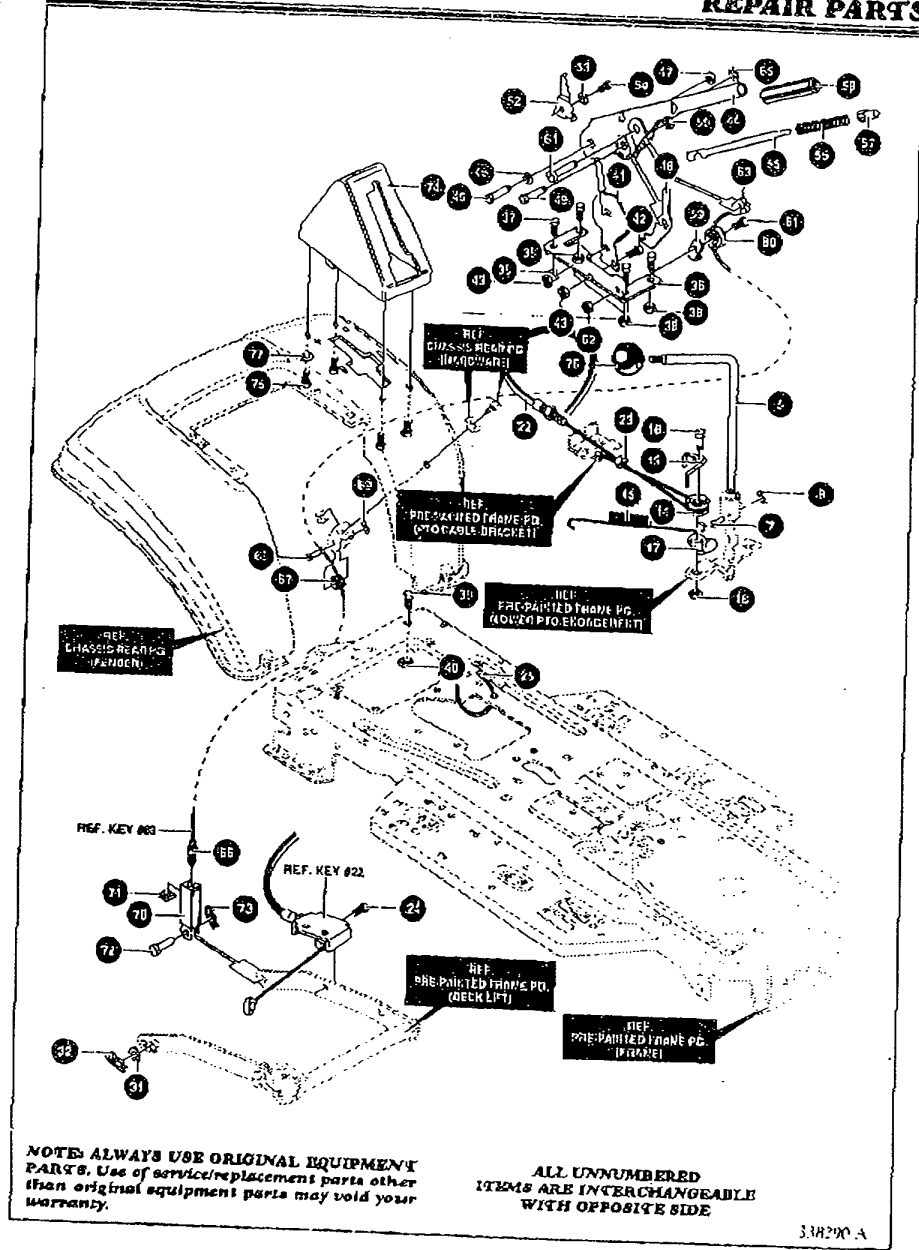
NOTE: ALWAYS USE ORIGINAL EQUIPMENT PARTS. Use of service replacement parts other than original equipment parts may void your warranty.

ALL UNNUMBERED ITEMS ARE INTERCHANGEABLE WITH OPPOSITE SIDE

34879 A

G3560330

REPAIR PARTS

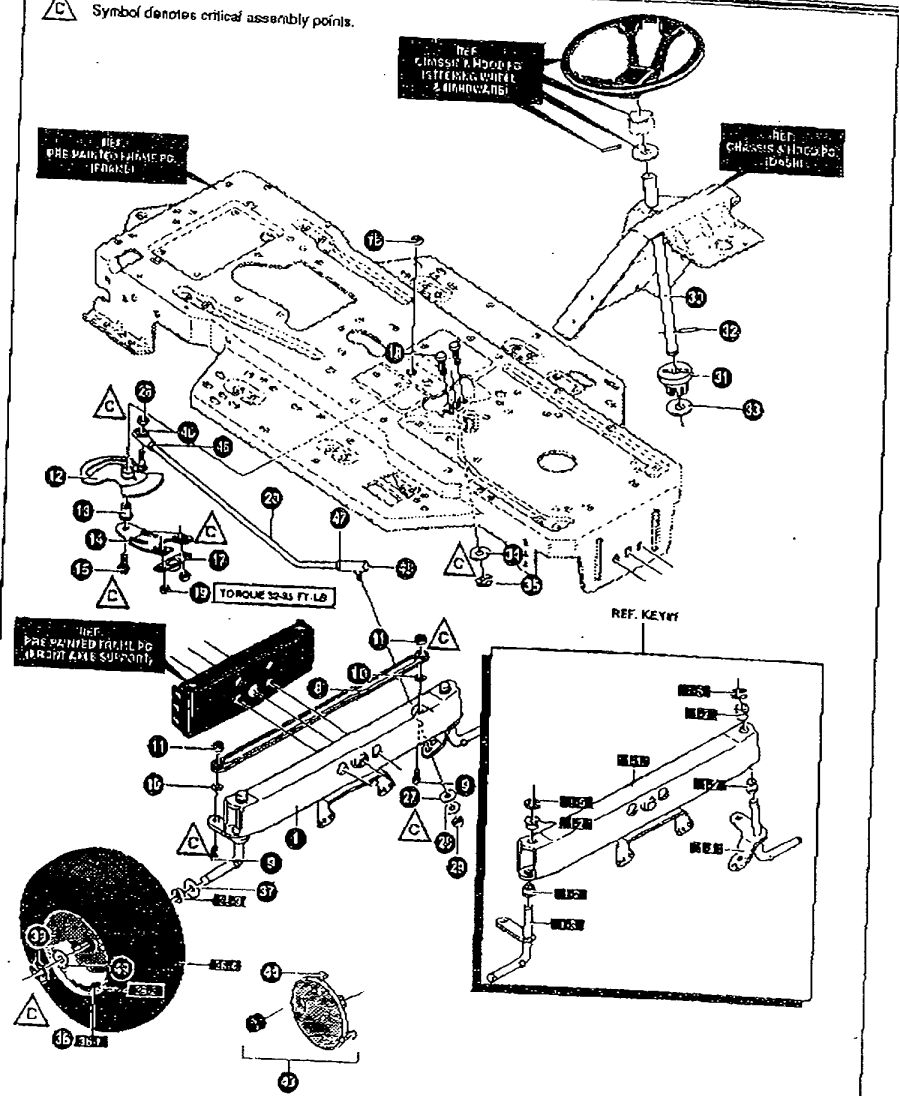


KEY#	PART#	DESCRIPTION	QTY
5	338049	LEVER, PTO UPPER	1
7	304877	PIN, CLEVIS	1
8	36368	PIN, HAIR	1
13	324032	SPRING, CABLE KEEPER	1
14	48306	PULLEY, METAL	1
15	316648	SPRING	1
16	324045	BOLT, .375 X .565	1
17	1288	BRACKET, CABLE RETAINER	1
18	1502	NUT, 1/4-20	1
22	324055	ASSEMBLY, CABLE PTO ENGAGE	1
23	120613	NUT, 1/4-28	1
24	335639	SCREW, 5/16-18 X .62	1
25	57444	TIE, CABLE	1
31	417098	WASHER, FLAT .531 X 1.06 X .063	1
32	8260	PIN, HAIR	2
36	313926	BRACKET, HEIGHT ADJUST	2
37	180077	SCREW, 5/16-18 X .75	1
38	1498	NUT, 5/16-18	4
39	180077	SCREW, 5/16-18 X .75	4
40	1498	NUT, 5/16-18	1
41	301238	QUADRANT, HEIGHT ADJUST	1
42	180077	SCREW, 5/16-18 X .75	1
43	1498	NUT, 5/16-18	2
44	322292-853	HANDLE, LIFT SHORT	1
45	300171	BOLT, .500 X .270	1
46	996418	WASHER, FLAT .506 X .75 X .024	1
47	44108	NUT, 5/16-18	1
48	301239	PAWL, SQUARE	1
49	300171	BOLT, .500 X .270	1
50	44108	NUT, 5/16-18	1
52	9435	POINTER, HEIGHT ADJUST	1
53	138479	WASHER, .195 X .41 X .03	1
54	35287	SCREW, #8-32 X .38	1
55	303027	ROD, ACTUATOR-SHORT	1
56	58326	SPRING, HEIGHT ADJUST	1
57	58325	KNOB, HEIGHT ADJUST	1
58	58329	GRIP, WHOLE BLACK	1
59	9149	BRACKET, CABLE RETAINER	1
60	48306	PULLEY, METAL	1
61	58336	BOLT, .375 X .375	1
62	1502	NUT, 1/4-20	1
63	314177	ASSEMBLY, CABLE LIFT	1
64	300310	PIN, CLEVIS	1
65	300311	RING, RET E	1
66	120325	NUT, 1/4-20	1
67	48306	PULLEY, METAL	1
68	300317	PIN, CLEVIS	1
69	8260	PIN, HAIR	1
70	9405	CLEVIS, LIFT CABLE	1
71	120372	NUT, 1/4-20	1
72	39522	PIN, CLEVIS	1
73	121222	PIN, COTTER	1
74	333903	LIFT COVER	1
75	300340	SCREW, #10 X .75	3
76	321837	KNOB	1
77	120392	WASHER, FLAT .281 X .63 X .065	1

G3560330

REPAIR PARTS

△ Symbol denotes critical assembly points.



ALL UNNUMBERED ITEMS ARE INTERCHANGEABLE WITH OPPOSITE SIDE

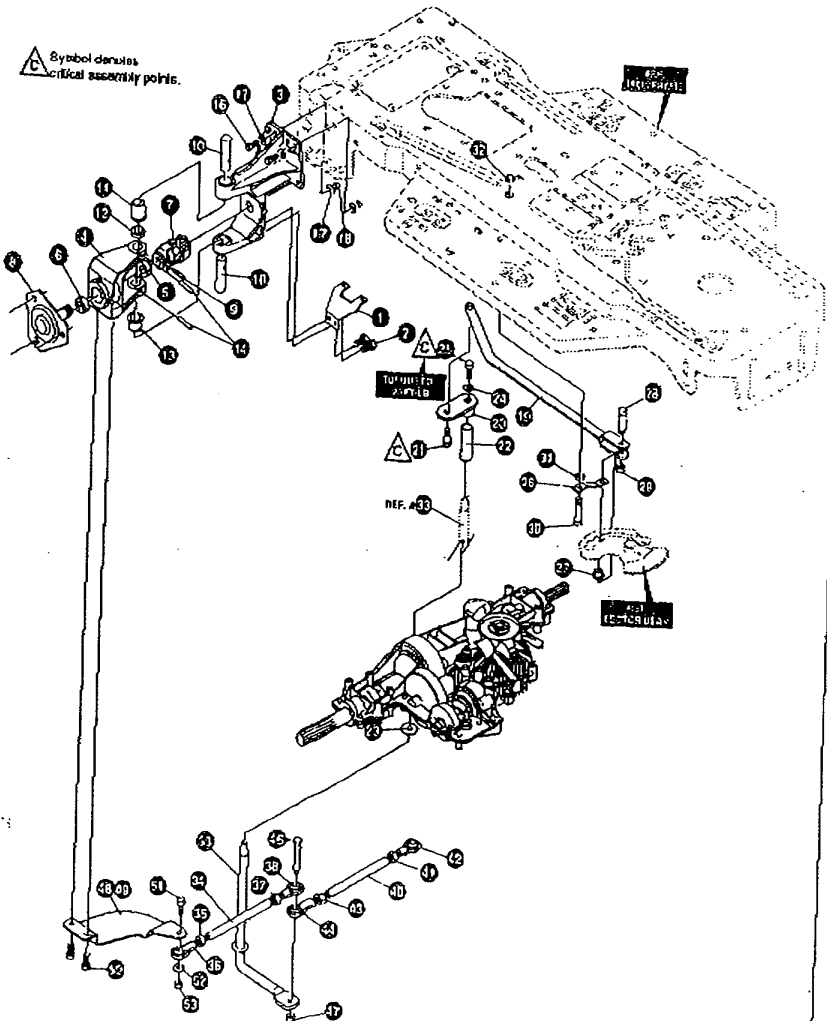
338225 C

KEY#	PART#	DESCRIPTION	QTY
1	*	ASSEMBLY, AXLE FRONT	1
1-1	300272	ASSEMBLY, FRONT AXLE	1
1-2	52407	SPINDLE BEARING	4
1-3	338475	ASSEMBLY, SPINDLE, RH	1
1-4	338474	ASSEMBLY, SPINDLE, LH	1
1-5	36625	RING, RETEX	2
8	304590	TIE ROD ASSEMBLY	1
9	180128	SCREW, 3/8-16 X 1.75	2
10	120382	WASHER, .393 X .68 X .10	2
11	1499	NUT, 3/8-16	2
12	326889	ASSEMBLY, SECTOR GEAR	1
13	313629	BEARING, SLEEVE	1
14	313671-853	SUPPORT, SECTOR GEAR	1
15	315196	SCREW, 1/2-20 X 3.00	1
16	274654	NUT, 1/2-20	1
17	302498	BEARING	1
18	323731	SCREW, 5/16-24 X .75	2
19	71100	NUT, 5/16-24	2
20	321449	DRAG LINK	1
26	1499	NUT, 3/8-16	1
27	120396	WASHER, FLAT .531 X 1.06 X .095	1
28	120383	WASHER, .459 X .78 X .12	1
29	271506	NUT, 7/16-20	1
30	332530	SHAFT, STEERING	1
31	302314	PINION, STEERING	1
32	302524	PIN DOWEL STEER	1
33	315194	WASHER, FLAT .51 X 1.38 X .043	1
34	996418	WASHER, FLAT .506 X .75 X .024	1
35	20864	RING, RET E	1
36	338127	TIRE & RIM ASSEMBLY, PU 15 X 6.0 X 6	2
37	642	WASHER, FLAT .755 X 1.31 X .075	2
38	36625	RING, RETEX	2
43	339414	HUB CAP, 6"	2
44	306669	CLIP, HUBCAP TINN	8
45	124925	NUT, 3/8-24	1
46	304260	BALL JOINT, RH, 3/8-24	1
47	272123	NUT, 7/16-20	1
48	302865	BALL JOINT, 7/16-20	1
49	42815	WASHER, FLAT .755 X 1.53 X .07	2

\* ORDER INDIVIDUAL PARTS - ASSEMBLY NOT AVAILABLE

G3560330

REPAIR PARTS



NOTE: ALWAYS USE ORIGINAL EQUIPMENT PARTS. Use of service/replacement parts other than original equipment parts may void your warranty.

ALL UNNUMBERED ITEMS ARE INTERCHANGEABLE WITH OPPOSITE SIDE

33450712

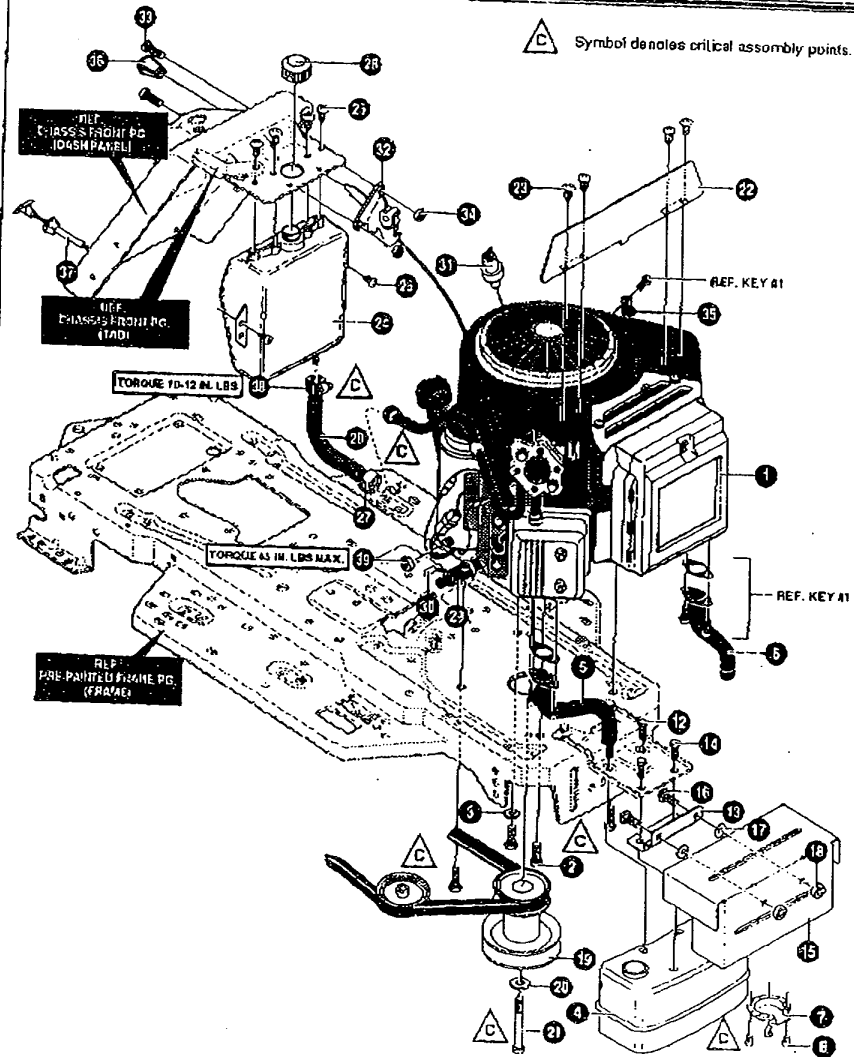
KEY#	PART#	DESCRIPTION	QTY
1	313645-853	BRACKET X-AXLE .....	2
2	35498	SCREW, 5/16-18 X .75 .....	4
3	314267	BRACKET, STEERING PIVOT .....	2
4	315267	BRACKET, STEER PIVOT .....	2
5	12325	BEARING, BALL .....	2
6	315268	BEARING, BALL .....	2
7	320531	U-JOINT ASSEMBLY W/ZERK .....	2
8	315264-853	HUB ASSEMBLY HEAVY .....	2
9	36311	PIN, GROOVED .....	2
10	12289	PIN, STEERING HINGE .....	4
11	324578	BEARING .....	2
12	21682	WASHER, FLAT .765 X 1.25 X .042 .....	2
13	324578	BEARING .....	2
14	456722	PIN, SPRING .....	4
16	180079	SCREW, 5/16-18 X 1.00 .....	6
17	120393	WASHER, FLAT .344 X .69 X .065 .....	14
18	1498	NUT, 5/16-18 .....	8
19	336148	BAR, DRAGLINK .....	1
20	308719	PIVOT, STEERING .....	1
21	12319	BOLT, .562 X .340 .....	1
22	304115	SPACER, STEERING SHAFT .....	1
23	25177	WASHER, FLAT .765 X 1.19 X .048 .....	1
24	45602	WASHER, FLAT .333 X .87 X .119 .....	1
25	421051	SCREW, 5/16-24 X 1.00 .....	1
26	302594	FOLLOWER, ROLLER .....	1
27	304116	CAM YOKE ROLLER .....	1
28	304122	BOLT, .625 X 1.175 .....	1
29	274654	NUT, 1/2-20 .....	1
30	324638	BOLT, .265 X .980 .....	1
31	996307	WASHER, FLAT .391 X 1.00 X .209 .....	1
32	412349	NUT, 3/8-24 .....	1
33	308720	SHAFT, STEERING PIVOT .....	1
34	308447	ROD, TIE .....	1
35	308399	NUT, 3/8-24, LH .....	1
36	308384	BALL JOINT, LH, 3/8-24 .....	1
37	124925	NUT, 3/8-24 .....	1
38	304260	BALL JOINT, RH, 3/8-24 .....	1
40	308446	ROD, TIE .....	1
41	308399	NUT, 3/8-24 LH .....	1
42	308384	BALL JOINT, LH, 3/8-24 .....	1
43	124925	NUT, 3/8-24 .....	1
44	304260	BALL JOINT, RH, 3/8-24 .....	1
46	181646	SCREW, 3/8-24 X 1.75 .....	1
47	412349	NUT, 3/8-24 .....	1
48	304120-853	ARM REAR WHEEL STEER, RH .....	1
49	304121-853	ARM, REAR WHEEL STEER, LH .....	1
50	47792	SCREW, 3/8-16 X 1.00 .....	4
51	181639	SCREW, 3/8-24 X 1.25 .....	2
52	120382	WASHER, .393 X .68 X .10 .....	2
53	412349	NUT, 3/8-24 .....	2





G3560330

REPAIR PARTS



KEY#	PART#	DESCRIPTION	QTY
1	*	ENGINE, 14-16HP VANGUARD .....	1
2	50947	SCREW, 3/8-16 X 1.25 .....	4
3	138489	WASHER, .384 X .69 X .04 .....	1
4	305553	MUFFLER .....	1
5	305554	EXHAUST TUBE, RH .....	1
6	305555	EXHAUST TUBE, LH .....	1
7	56472	DEFLECTOR SIDE OUT .....	1
8	35287	SCREW, #8-32 X .38 .....	4
13	9796	BRACKET, TRANSAXLE .....	1
14	44811	SCREW, 1/4-20 X .75 .....	4
15	320922-853	SHIELD, MUFFLER HEAT .....	1
16	57072	BOLT, 5/16-18 X .63 .....	2
17	309436	PUSHNUT, 5/16 BOLT RETAINER .....	2
18	55273	NUT, 5/16-18 .....	2
19	335092	PULLEY, ENGINE .....	1
20	120383	WASHER, .459 X .78 X .12 .....	1
21	428644	SCREW, 7/16-20 X 5.00 .....	1
22	312728-853	HEAT SHIELD .....	1
23	57366	SCREW, 10-16 X .50 .....	4
24	314992	TANK, FUEL 2 GALLON .....	1
25	49050	SCREW, 1/4-10 X .75 .....	6
26	48049	TUBING, .25 X .50 X BULK GAS LINE .....	10.0'
27	47345	CLAMP, HOSE SCREW TYPE .....	1
28	46704	CAP, GAS .....	1
29	325547	OIL DRAIN VALVE ASSEMBLY .....	1
30	327422	CAP, OIL .....	1
31	314797	OIL SENSOR .....	1
32	310280	CONTROL, THROTTLE .....	1
33	320553	SCREW, 10-24 X .63 .....	2
34	308459	NUT, #10-24 .....	2
35	57569	RETAINER, WIRE .....	1
36	50607	KNOB .....	1
37	310279	CONTROL, CHOKE .....	1
38	47345	CLAMP, HOSE SCREW TYPE .....	1
39	124818	NUT, 1/4-20 .....	1

\* SEE ENGINE MANUAL

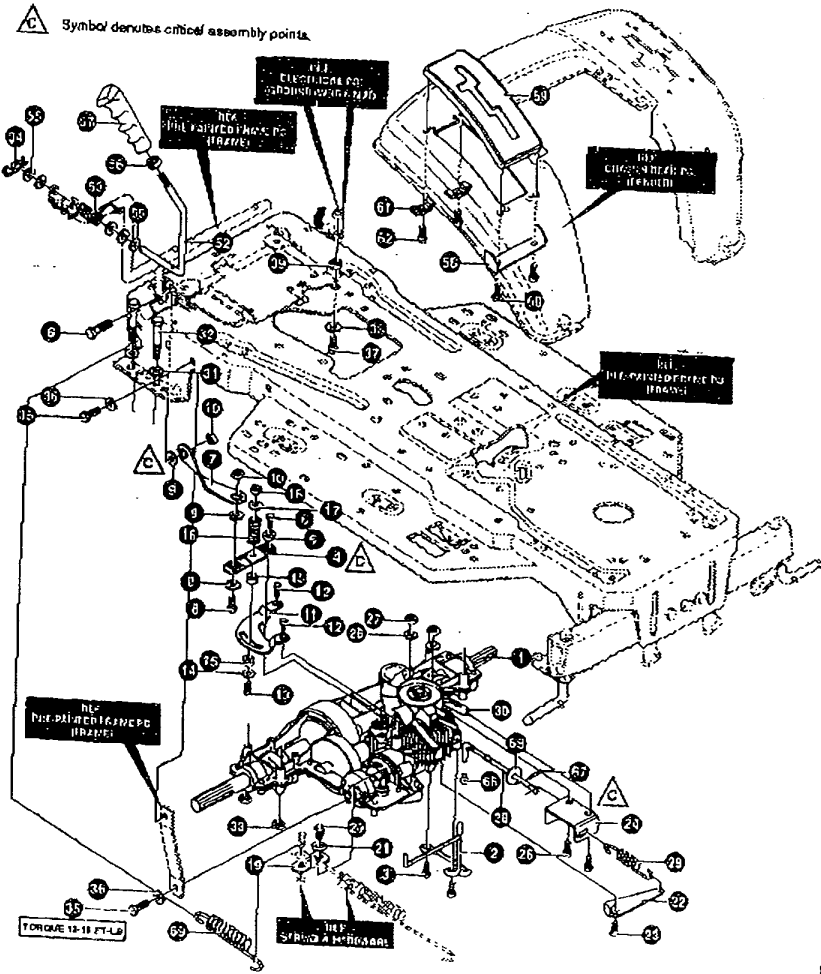
NOTE: ALWAYS USE ORIGINAL EQUIPMENT PARTS. Use of service/replacement parts other than original equipment parts may void your warranty.

ALL UNNUMBERED ITEMS ARE INTERCHANGEABLE WITH OPPOSITE SIDE

339422 A

G3560330

REPAIR PARTS



NOTE: ALWAYS USE ORIGINAL EQUIPMENT PARTS. Use of service/replacement parts other than original equipment parts may void your warranty.

ALL UNNUMBERED ITEMS ARE INTERCHANGEABLE WITH OPPOSITE SIDE

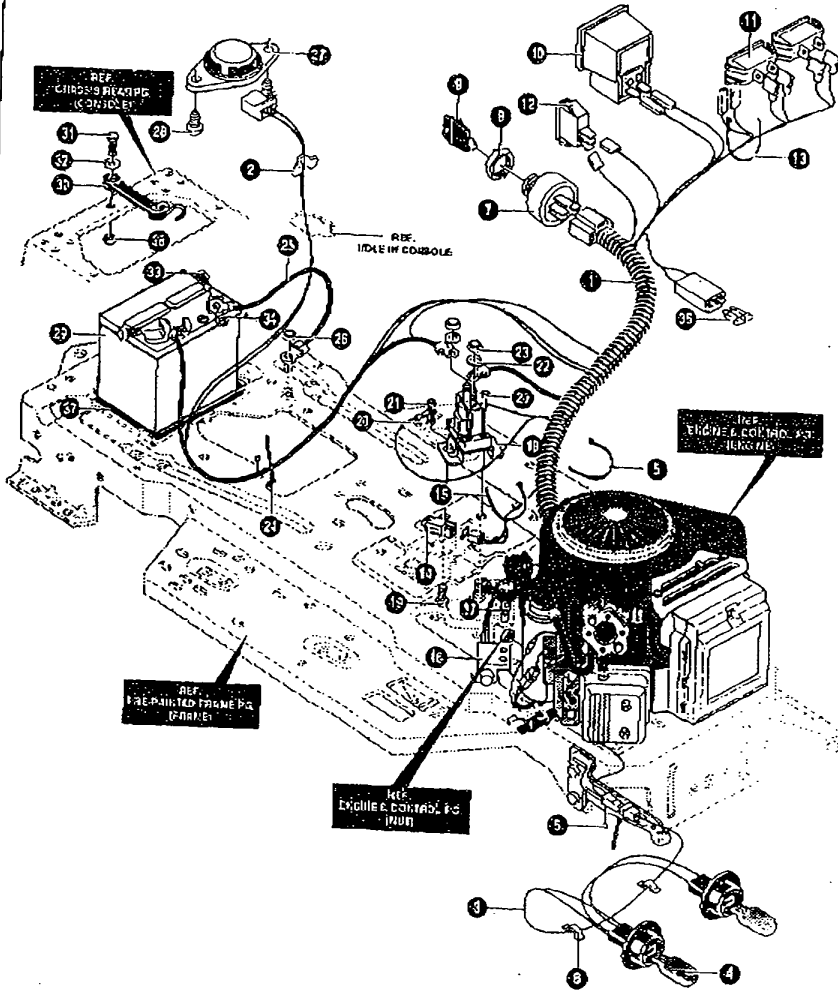
338243C

KEY#	PART#	DESCRIPTION	QTY
1	*	TRANSAXLE	1
2	334330	BELT GUIDE	1
3	35498	SCREW, 5/16-18 X .75	1
4	334051	LEVER, TRANSAXLE SHIFT	1
5	57157	WASHER, .750 X .250	1
6	56255	SCREW, 1/4-28 X .75	1
7	333926	LINK, SHIFT	1
8	180124	SCREW, 3/8-16 X 1.25	1
9	120394	WASHER, FLAT .406 X .81 X .065	2
10	1499	NUT, 3/8-16	3
11	334016-853	QUADRANT, SPEED CONTROL	2
12	44811	SCREW, 1/4-20 X .75	1
13	180130	SCREW, 3/8-16 X 2.00	2
14	845	WASHER, FLAT .390 X 1.25 X .119	1
15	314944	WASHER, FRICTION	1
16	335689	SPRING-COMP	2
17	120394	WASHER, FLAT .406 X .81 X .065	1
18	1499	NUT, 3/8-16	1
19	321845	BRACKET, LEVER	1
20	56255	SCREW, 1/4-28 X .75	1
21	57157	WASHER, .750 X .250	1
22	334122-853	LEVER, DUMP VALVE	1
23	334126	BOLT, .437 X .136	1
24	334123-853	BRACKET, DUMP VALVE	1
25	180134	SCREW, 3/8-16 X 2.50	1
26	120394	WASHER, FLAT .406 X .81 X .065	2
27	1499	NUT, 3/8-16	2
28	334124	ROD, DUMP VALVE	1
29	326780	SPRING, TENSION	1
30	335708	BELT, V 4L 80.50	1
31	120393	WASHER, FLAT .344 X .69 X .065	1
32	180113	SCREW, 5/16-18 X 3.00	8
33	1498	NUT, 5/16-18	4
35	35498	SCREW, 5/16-18 X .75	2
36	120638	WASHER, .328 X .60 X .09	2
37	180077	SCREW, 5/16-18 X .75	2
38	138538	WASHER, .320 X .61 X .03	1
39	1498	NUT, 5/16-18	1
52	318452	LEVER, SHIFT UPPER	1
53	318451	SPRING, TORSION	1
54	8260	PIN, HAIR	1
55	2968	WASHER, FLAT .504 X .75 X .059	1
56	120238	NUT, 1/2-13	5
57	306690	HANDLE	1
58	311257-853	BRACKET, COVER	1
59	314244	COVER PLASTIC	1
60	311331	SCREW, 1/4-15 X .441.53	1
61	1341	CLAMP, SPRING	2
62	311331	SCREW, 1/4-15 X .441.53	2
66	335980	CAP, DUMP VALVE ROD	2
67	121222	PIN, COTTER	1
68	120393	WASHER, FLAT .344 X .69 X .065	1
69	334382	SPRING	1

\* SEE TRANSAXLE BREAKDOWN PAGES IN THIS MANUAL

G3560330

REPAIR PARTS



NOTE: ALWAYS USE ORIGINAL EQUIPMENT PARTS. Use of service replacement parts other than original equipment parts may void your warranty.

ALL UNNUMBERED ITEMS ARE INTERCHANGEABLE WITH OPPOSITE SIDE

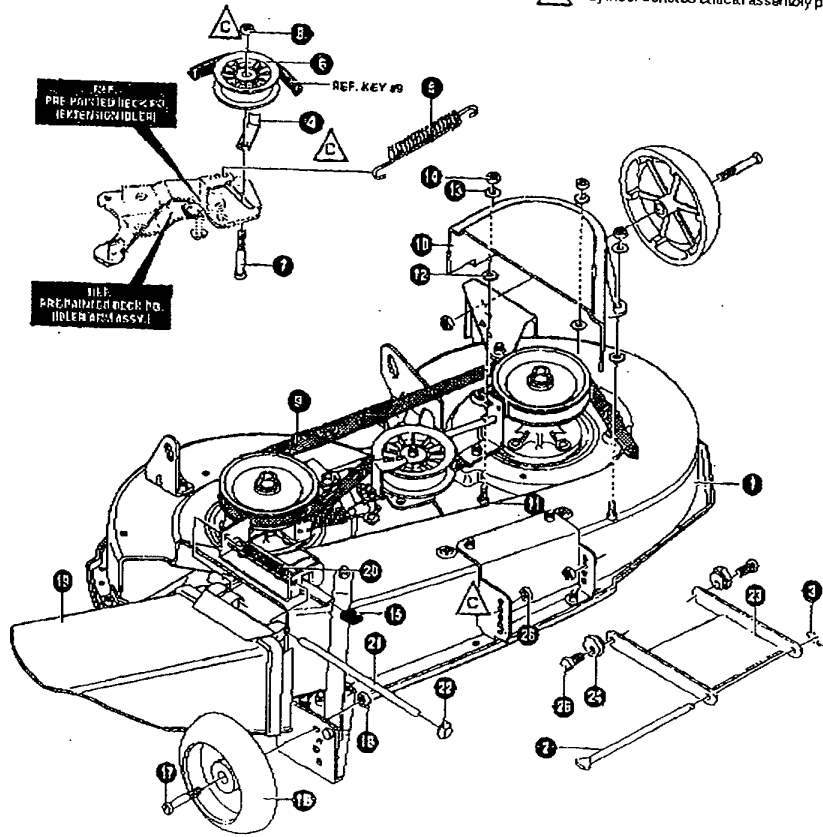
139423 A

KEY#	PART#	DESCRIPTION	Q
1	320393	WIRE, HARNESS .....	1
2	41482	PRESS CLIP .....	1
3	303064	ASSEMBLY, LIGHT WIRE .....	1
4	52572	BULB, HEADLAMP .....	1
5	57444	TIE, CABLE .....	2
6	41482	PRESS CLIP .....	2
7	327355	SWITCH-IGNITION .....	1
8	327352	NUT, 5/8-8 .....	1
9	327350	KEY, IGNITION .....	2
10	300133	AMMETER .....	1
11	300255	LIGHT, INDICATOR PANEL MOUNT .....	2
12	300334	LIGHT SWITCH ON/OFF PANEL MOUNT .....	1
13	57444	TIE, CABLE .....	1
14	320082	SWITCH, DOUBLE POLE .....	1
15	57444	TIE, CABLE .....	1
16	57476	SWITCH, SCREW MOUNT .....	1
17	57220	SCREW, #12 X .50 .....	2
18	53716	SOLENOID .....	1
19	187745	SCREW, 1/4-20 X .75 .....	2
20	1502	NUT, 1/4-20 .....	2
21	271172	NUT, 1/4-20 .....	1
22	138485	WASHER, .320 X .61 X .03 .....	2
23	120368	NUT, 5/16-24 .....	2
24	57444	TIE, CABLE .....	1
25	55511	WIRE, GROUND, 12.5" .....	1
26	271184	NUT, 5/16-18 .....	1
27	57547	SWITCH, SEAT .....	1
28	160505	SCREW, 1/4-20 X .38 .....	2
29	302257	BATTERY 12V 7 PLATE .....	1
30	57505	RUBBER STRAP .....	1
31	180022	SCREW, 1/4-20 X 1.00 .....	1
32	120392	WASHER, FLAT .281 X .63 X .065 .....	1
33	180020	SCREW, 1/4-20 X .75 .....	2
34	271172	NUT, 1/4-20 .....	2
36	1502	NUT, 1/4-20 .....	1
37	91895	TRAY, BATTERY .....	1

G3560330

REPAIR PARTS

△ Symbol denotes critical assembly points.



NOTE: ALWAYS USE ORIGINAL EQUIPMENT PARTS. Use of service replacement parts other than original equipment parts may void your warranty.

ALL UNNUMBERED ITEMS ARE INTERCHANGEABLE WITH OPPOSITE SIDE

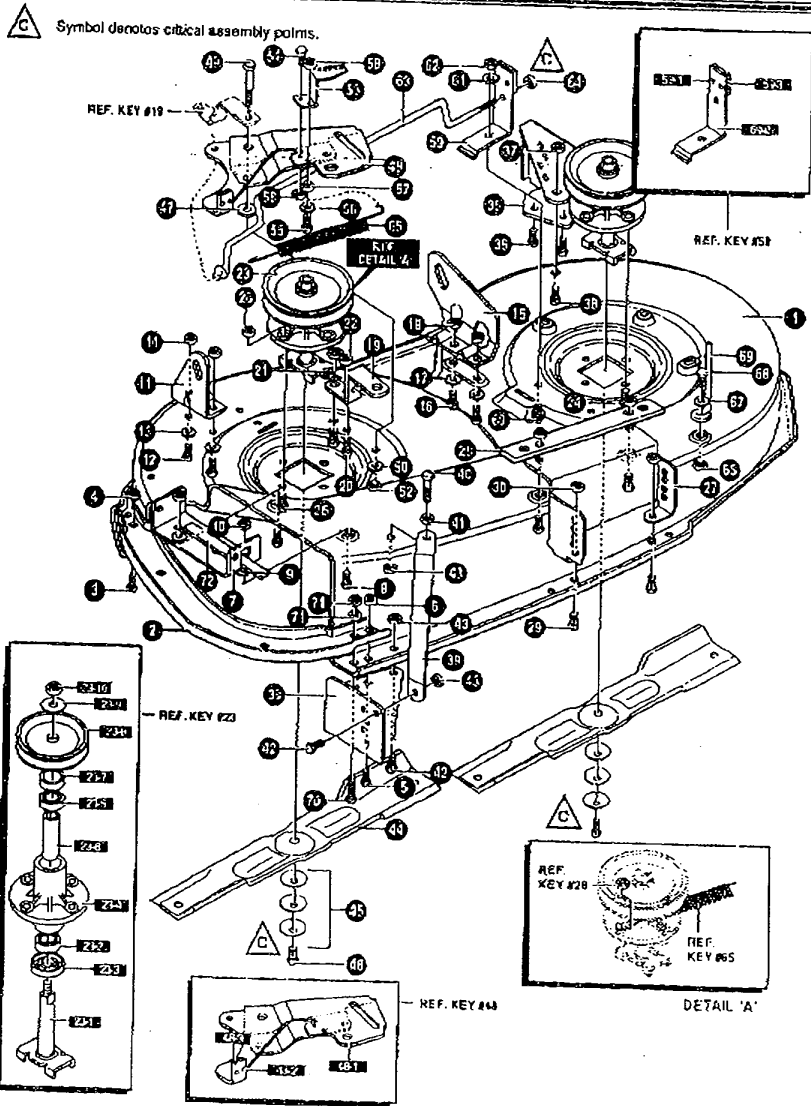
331509 B

KEY#	PART#	DESCRIPTION	QT.
1	*	DECK, 43" MOWER .....	1
2	58306	ROD, DECK HITCH .....	1
3	8260	PIN, HAIR .....	1
4	1346	RETAINER, BELT .....	1
5	314107	SPRING, TENSION .....	1
6	310326	PULLEY, IDLER .....	1
7	126416	BOLT, 3/8-16 X 1.75 .....	1
8	45171	NUT, 3/8-16 .....	1
9	314108	BELT, V 5L 86.00 .....	1
10	333073	GUARD, BELT LH .....	1
11	57101	BOLT, 5/16-18 X .75 .....	1
12	309436	PUSHNUT, 5/16 BOLT RETAINER .....	3
13	120393	WASHER, FLAT .344 X .69 X .065 .....	3
14	1498	NUT, 5/16-18 .....	3
15	42348	GRIP-LEVER GRASS COLLECTOR .....	1
16	302611	GAUGE WHEEL .....	2
17	23763	BOLT, .500 X 1.390 .....	2
18	1499	NUT, 3/8-16 .....	2
19	304422	CHUTE DEFLECTOR .....	1
20	314975	SPRING, TORSION CHUTE DEFLECTOR .....	1
21	304424	ROD, PIVOT DECK .....	1
22	3535	NUT, PUSH ON CAP .....	1
23	58305-853	BRACKET, LINK DECK FRONT .....	1
24	58247	NUT, ADJUST .....	2
25	180079	SCREW, 5/16-18 X 1.00 .....	2
26	1498	NUT, 5/16-18 .....	2

\* REFERENCE ONLY

**G3560330**

**REPAIR PARTS**



**NOTE ALWAYS USE ORIGINAL EQUIPMENT PARTS.** Use of service/replacement parts other than original equipment parts may void your warranty.

**ALL UNNUMBERED ITEMS ARE INTERCHANGEABLE WITH OPPOSITE SIDE**

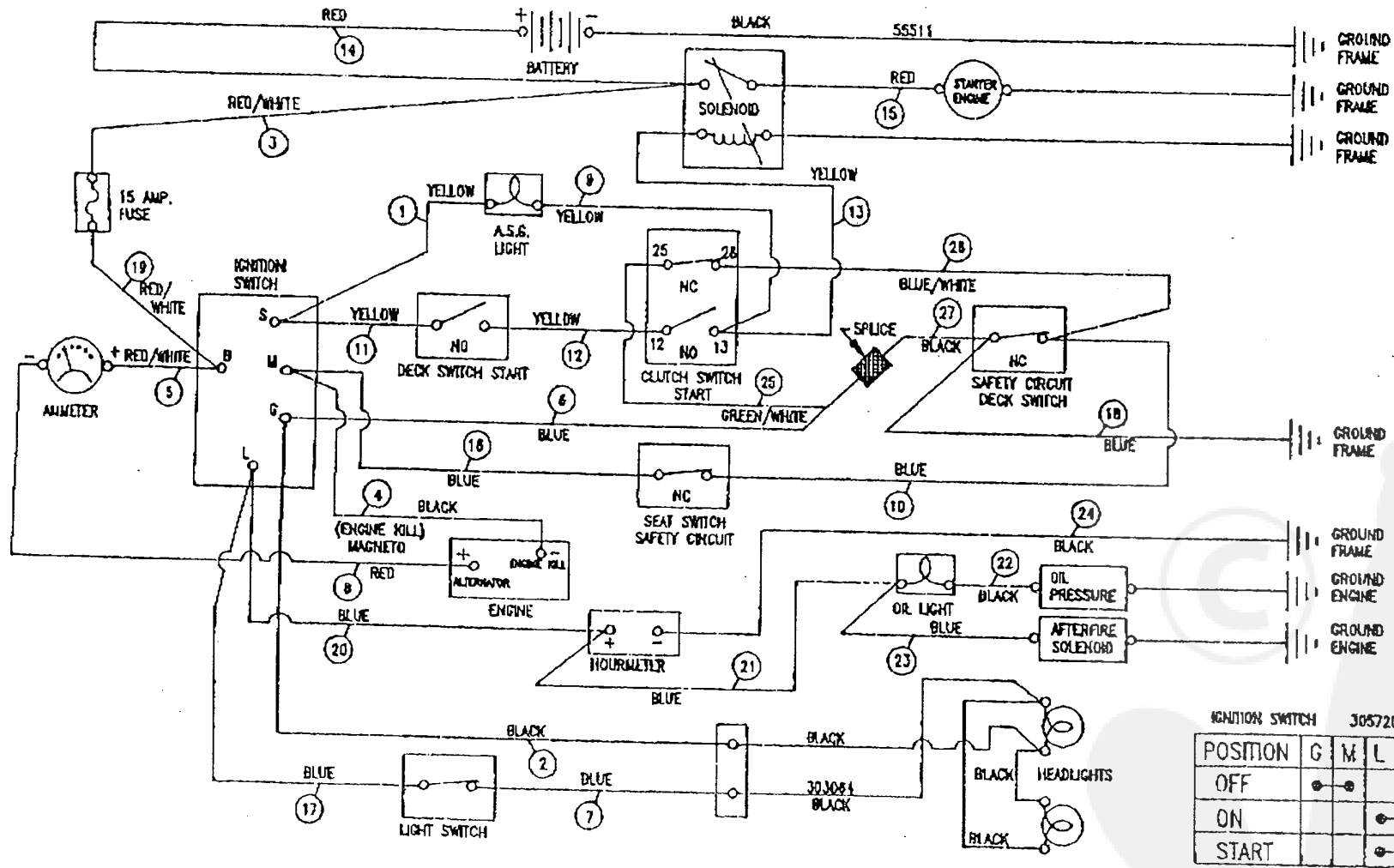
3.15504.C

KEY#	PART#	DESCRIPTION	QTY
1	325116	43" DECK KIT .....	1
2	326480	TOE GUARD - MULCHER .....	1
3	180077	SCREW, 5/16-18 X .75 .....	1
4	1498	NUT, 5/16-18 .....	1
5	180077	SCREW, 5/16-18 X .75 .....	1
6	1498	NUT, 5/16-18 .....	1
7	317017	BRACKET, CHUTE MOUNT .....	1
8	180077	SCREW, 5/16-18 X .75 .....	2
9	120393	WASHER, FLAT .344 X .69 X .065 .....	2
10	1498	NUT, 5/16-18 .....	2
11	313929	BRACKET, RH LIFT REAR .....	1
12	180077	SCREW, 5/16-18 X .75 .....	2
13	120393	WASHER, FLAT .344 X .69 X .065 .....	2
14	1498	NUT, 5/16-18 .....	2
15	310667	BRACKET, LH LIFT REAR .....	1
16	180077	SCREW, 5/16-18 X .75 .....	2
17	120393	WASHER, FLAT .344 X .69 X .065 .....	2
18	1498	NUT, 5/16-18 .....	2
19	326893	BRACE, IDLER SUPPORT .....	1
20	180077	SCREW, 5/16-18 X .75 .....	2
21	308231	SCREW, 1/4-20 X 1.25 .....	1
22	44108	NUT, 5/16-18 .....	2
23	337734	QUILL ASSEMBLY .....	2
23-1	56425	SHAFT/SADDLE .....	1
23-2	49562	BEARING, BALL .....	1
23-3	50616	DUST SHIELD .....	1
23-4	55547	QUILL CASTING .....	1
23-5	49562	BEARING, BALL .....	1
23-6	50818	SPACER, SLEEVE .....	1
23-7	331067	SPACER, QUILL .....	1
23-8	333132	PULLEY, QUILL VSL .....	1
23-9	56365	WASHER, SPECIAL QUILL .....	1
23-10	1282	NUT, 7/16-20 .....	1
24	35498	SCREW, 5/16-18 X .75 .....	7
25	300345	SCREW, 5/16-18 X 1.38 .....	1
26	1498	NUT, 5/16-18 .....	1
27	317040	BRACKET FRONT .....	1
28	328155	PLATE MOUNTING .....	1
29	180077	SCREW, 5/16-18 X .75 .....	4
30	1498	NUT, 5/16-18 .....	4
35	317041	BRACKET, GAGE WHEEL LH .....	1
36	180077	SCREW, 5/16-18 X .75 .....	3
37	1498	NUT, 5/16-18 .....	3
38	322464	BRACKET, GAGE WHEEL RH FRONT .....	1
39	314282	BRACKET, STABILIZER .....	1
40	311104	SCREW, 5/16-18 X 5.00 .....	1
41	271184	NUT, 5/16-18 .....	1
42	180077	SCREW, 5/16-18 X .75 .....	2
43	1498	NUT, 5/16-18 .....	3
44	316608	BLADE, 21.70 .....	2
45	2483	WASHER, .391D X 1.25D X .07 .....	6
46	39573	SCREW, 3/8-24 X 1.00 .....	2
47	996307	WASHER, FLAT .391 X 1.00 X .209 .....	1
48	322120	IDLER ARM ASSEMBLY .....	1
48-1	322116	ARM IDLER .....	1
48-2	41601	RIVET .....	2
48-3	306973	BRAKE PAD .....	1
49	304420	BOLT, .500 X 2.15 .....	1

50	996416	WASHER, FLAT .391 X 1.00 X .125 .....	1
52	45171	NUT, 3/8-16 .....	1
53	326249	BRACKET, EXTENSION IDLER .....	1
54	180077	SCREW, 5/16-18 X .75 .....	1
55	180083	SCREW, 5/16-18 X 1.50 .....	1
56	446363	WASHER, FLAT .375 X .88 X .082 .....	1
57	271184	NUT, 5/16-18 .....	1
58	1498	NUT, 5/16-18 .....	2
59	321828	BLADE BRAKE ASSEMBLY .....	1
59-1	135624	RIVET .....	2
59-2	304119	BRAKE ARM .....	1
59-3	306973	BRAKE PAD .....	1
60	180077	SCREW, 5/16-18 X .75 .....	1
61	120393	WASHER, FLAT .344 X .69 X .065 .....	1
62	1498	NUT, 5/16-18 .....	1
63	315304	ROD, BRAKE .....	1
64	1502	NUT, 1/4-20 .....	1
65	35410	SPRING .....	1
66	180079	SCREW, 5/16-18 X 1.00 .....	1
67	120393	WASHER, FLAT .344 X .69 X .065 .....	1
68	1498	NUT, 5/16-18 .....	1
69	325965	BELT GUIDE .....	1
70	12685	SCREW, 5/16-18 X 1.50 .....	1
71	1498	NUT, 5/16-18 .....	2
72	322320	LEVER ASSEMBLY .....	1
72-1	58319	PIN .....	1
72-2	322319	LEVER CHUTE LATCH .....	1



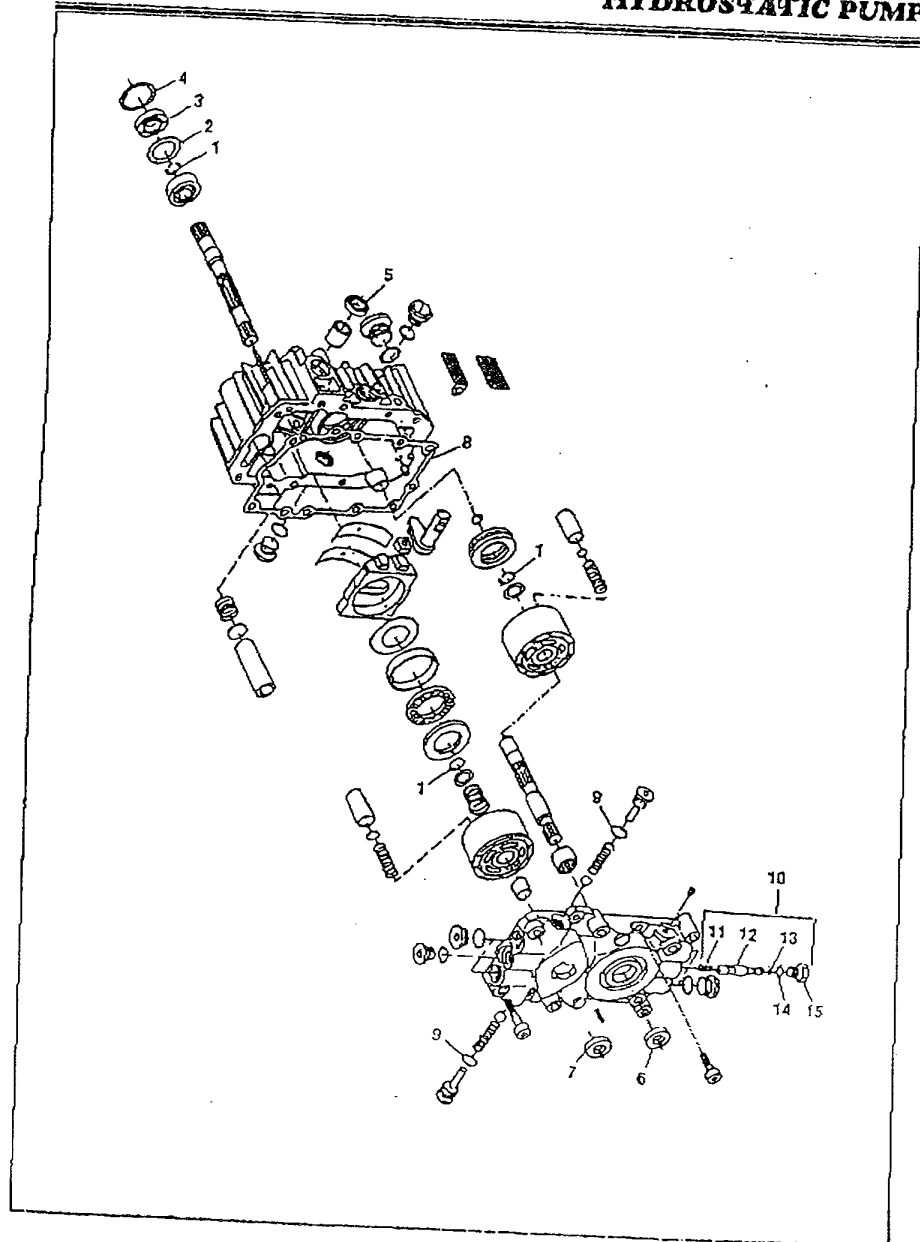
# SCHEMATIC DRAWING



IGNITION SWITCH		305720				
POSITION	G	M	L	B	S	
OFF	●	●				
ON			●	●		
START			●	●		

G3560330

## HYDROSTATIC PUMP

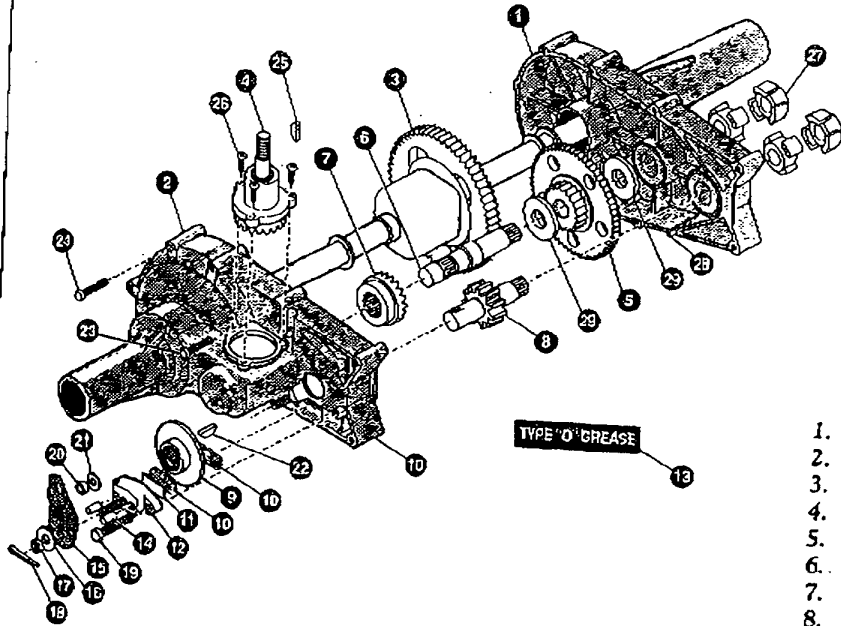


KEY #	PART#	DESCRIPTION
	310227	HYDROSTATIC PUMP (COMPLETE)
	313306	OVERHAUL SEAL KIT (CONTAINS KEY NO.'S 1-9, 13 AND 14)
1		RING-RETAINING
2		SPACER
3		SEAL-LIP
4		RING-RETAINING
5		SEAL-LIP
6		SEAL-LIP
7		SEAL-LIP
8		GASKET-CENTER SECTION
9		O-RING
10	313305	BY-PASS VALVE KIT- COMPLETE (INCL. KEY NO.'S 11-15)
11		SPRING-HELICAL COMP
12		BY-PASS SPOOL
13		O-RING
14		O-RING
15		PLUG-BY-PASS



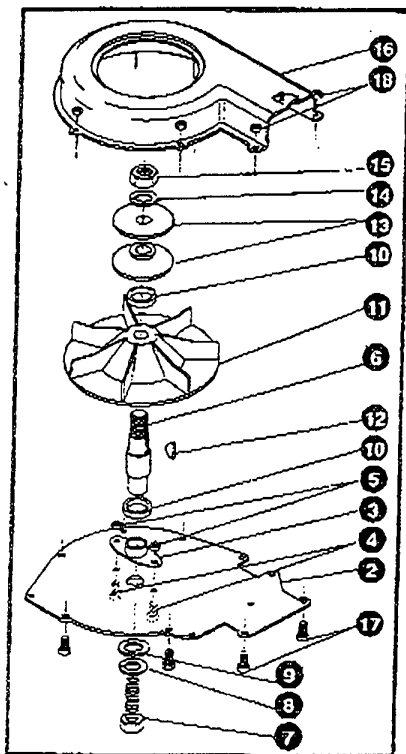
G3560330

HYDRO TRANSAXLE

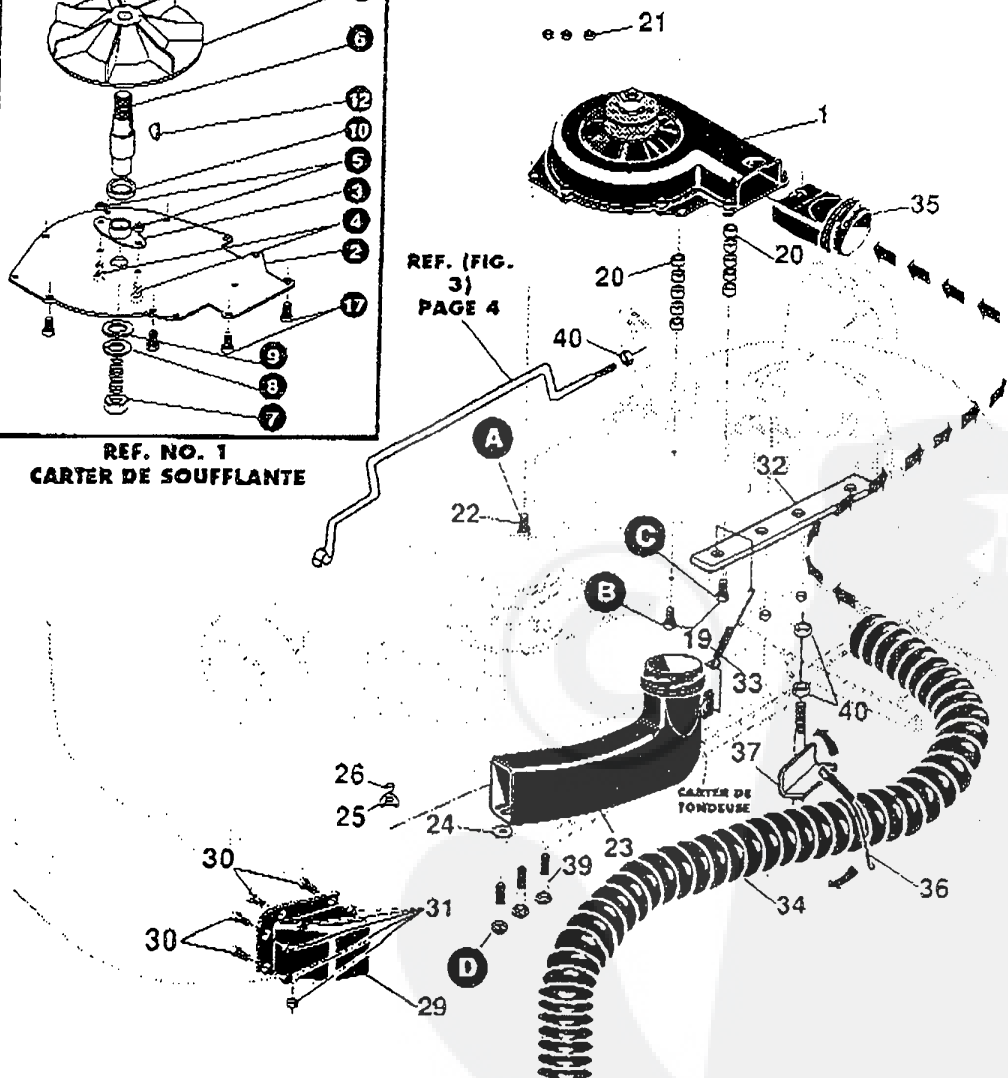


- |     |        |                      |
|-----|--------|----------------------|
| 1.  | 324090 | HOUSING HALF, LH     |
| 2.  | 324092 | HOUSING HALF, RH     |
| 3.  | 324093 | GEAR, DIFFERENTIAL   |
| 4.  | 324095 | SHAFT, INPUT         |
| 5.  | 324096 | GEAR                 |
| 6.  | 323656 | SHAFT, DRIVE         |
| 7.  | 323655 | GEAR, DRIVE PINION   |
| 8.  | 323660 | SHAFT, PINION        |
| 9.  | 323663 | DISC, BRAKE          |
| 10. | 323685 | PUCK, BRAKE          |
| 11. | 323687 | PLATE, PUCK          |
| 12. | 324092 | BRAKE, YOKE          |
| 13. | 324089 | TYPE "O" GREASE      |
| 14. | 323681 | PIN, BRAKE ACTUATING |
| 15. | 323665 | ARM, BRAKE ACTUATOR  |
| 16. | 323684 | WASHER, FLAT         |
| 17. | 323691 | NUT, CASTLE          |
| 18. | 323671 | PIN, COTTER          |
| 19. | 323711 | BOLT, HEX W/PATCH    |
| 20. | 323650 | NUT, HEX             |
| 21. | 323649 | WASHER, SPRING LOCK  |
| 22. | 323692 | KEY, HI-PRO          |
| 23. | 323677 | BOLT, HEX SELF-TAP   |
| 24. | 323678 | BOLT, HEX SELF-TAP   |
| 25. | 323688 | KEY, HI-PRO          |
| 26. | 329832 | SCREW, HEX W/PATCH   |
| 27. | 323661 | COUPLING             |
| 28. | 323699 | PIN, ROLL            |
| 29. | 329833 | WASHER, FLAT         |

# PIECES DE RECHANGE



REF. NO. 1  
CARTER DE SOUFFLANTE



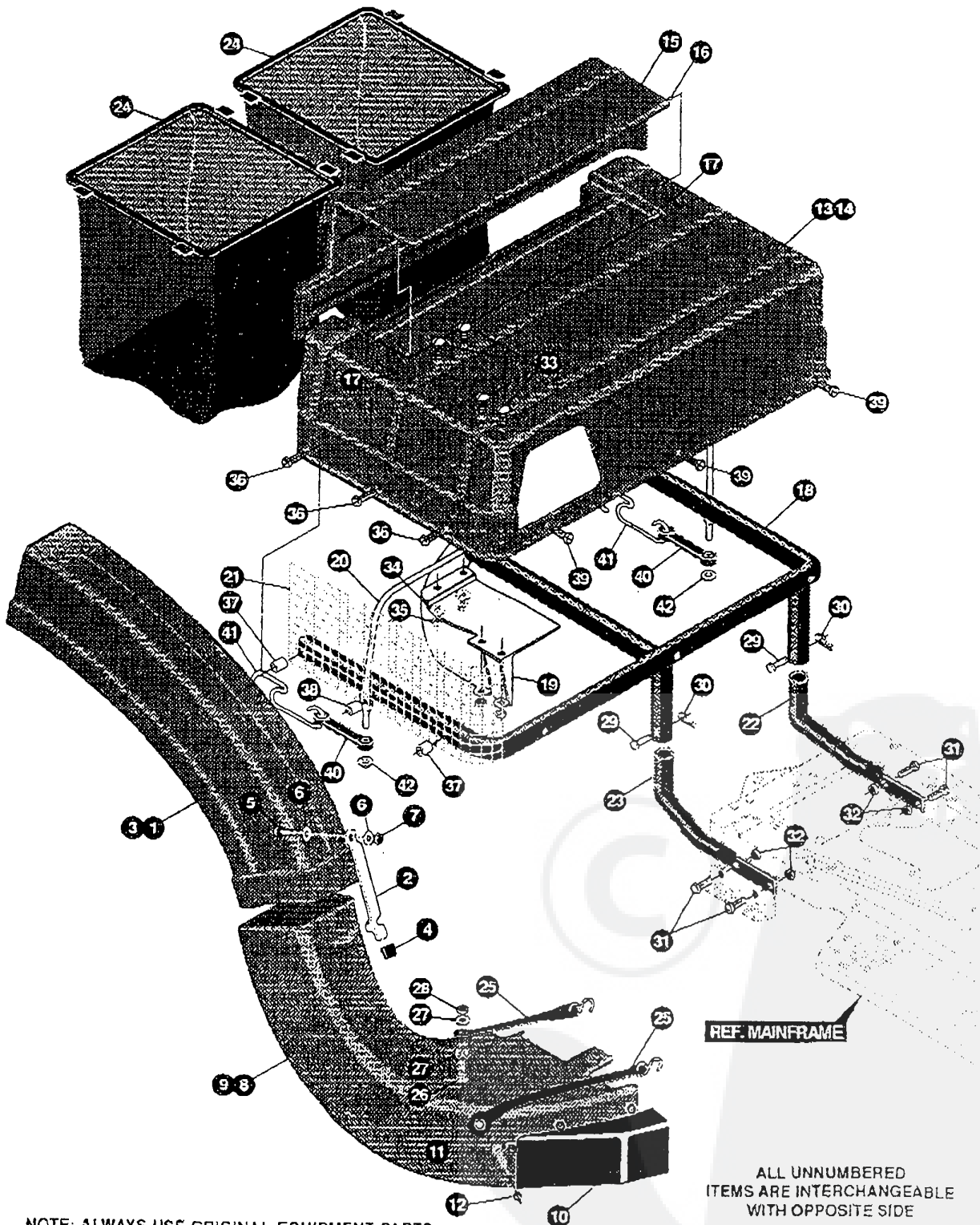
	NO 1 CARTER DE 95/97,5 CM (38/39 PO.)	95/97,5 CM (38/39 PO.) NB. DE BAGUES D'ECARTEMENT	NO 2 CARTER DE 100 CM (40 PO.)	100 CM (40 PO.) NB. DE BAGUES D'ECARTEMENT	NO 3 CARTER DE 105/107,5 CM (42/43 PO.)	105/107,5 CM (42/43 PO.) NB. DE BAGUES D'ECARTEMENT
VIS "A"	120706 - 1/4-20 X 0,50	0	180021 - 1/4-20 X 0,80	2	180021 - 1/4-20 X 0,80	2
VIS "B"	180021 - 1/4-20 X 0,80	2	180037 - 1/4-20 X 1,63	5	180037 - 1/4-20 X 1,63	6
VIS "C"	180021 - 1/4-20 X 0,80	2	180037 - 1/4-20 X 1,63	3	180037 - 1/4-20 X 1,63	5
VIS "D"	120230 - 5/16-18 X 1,25	0	12685 - 5/16-18 X 1,50	0	12685 - 5/16-18 X 1,50	0

# PIECES DE RECHANGE

NO.	NO. REF.	DESCRIPTION	QTY.
1.	323883	ASM. BLOWER, AIR-ASSIST	1
2.	316401	MP LOWER PLATE BLOWER	1
3.	317135	FLANGED BEARING	1
4.	120854	SCREW, 1/4-20X .63 HHC GR2	1
5.	1502	NUT, 1/4-20 REGHEXCTRLK	2
6.	314770	SHAFT, BLOWER AIR ASSIST	2
7.	181596	SCREW, 5/16-24X .88 HHC GR5	1
8.	120638	WASHER, HVSPTLK .328X.60X.09	1
9.	45602	WASHER, FLAT .333X .87X.119	1
10.	314929	SPACER, SLEV .834X .23X1.00	1
11.	313761	IMPELLER, AIR ASSIST	2
12.	35075	KEY, HI-PRO 404 .50DiaX.125WD	1
13.	313774	PULLEY, 5L PUMP(AIR ASSIST)	1
14.	120384	WASHER, REGSPTLK .523X.87X.14	2
15.	120371	NUT, 1/2-20 HEX	1
16.	316402	MP IMPELLER HOUSING BLOWER	1
17.	443874	SCREW, 10-24X .50 HHMA GR2	7
18.	312300	NUT, #10-24 REGHEXCTRLK	7
19.	180021	SCREW, 1/4-20X .88 HHC GR5Z	7
20.	3943	SPACER, SLEV .250X .47X .20	2
21.	1502	NUT, 1/4-20 REGHEXCTRLK	13
22.	120706	SCREW, 1/4-20X .50 HHC GR2	3
23.	327852	AIR DUCT AIR ASSIST	1
24.	996407	WASHER, FLAT .328X .75X.077	1
25.	321510	WASHER, PENETRATING .32X.68X.09	1
26.	1498	NUT, 5/16-18 REGHEXCTRLK	1
29.	316421	INLET, CHUTE AIR-ASSIST	1
29A	316987	INLET, CHUTE AIR ASSIST	1
30.	318377	SCREW, 10-32X .50 SLWAHH BLK0X	5
31.	314159	NUT, #10-32 CTRLK BLK0X	5
32.	328155	PLATE MOUNTING	1
33.	328196	SPRING TENSION AIR ASSIST	1
34.	328068	FLEX HOSE	1
35.	327851	AIR DUCT AIR ASSIST	1
36.	328659	SPRING-LATCH AIR ASSIST FLEX	1
37.	327894	ASSEMBLY - UP STOP	1
38.	315303	BRAKE ROD - 38/39	1
	315396	BRAKE ROD - 40	1
	315304	BRAKE ROD - 42/43	1
39.	180073	SCREW, 5/16-18 X .50	2
40.	1499	NUT, 3/8-16 REGHEXCTRLK	2

# REPAIR PARTS

## 0/43" GRASS CATCHER FOR UNITS WITH AIR ASSIST



NOTE: ALWAYS USE ORIGINAL EQUIPMENT PARTS.  
Use of service replacement parts other than original equipment parts may void your warranty.

3239079

# REPAIR PARTS

## 40/43" GRASS CATCHER FOR UNITS WITH AIR ASSIST

key#	part#	description	qty.
1.	*	ASSY, UP CHUTE,40,43,46"BAGGER	1
2.	322494-853	LATCH CHUTE	1
3.	322495	CHUTE, UPPER 40&46 BAGGER	1
4.	42348	GRIP-LEVER GRASS COLLECTOR	1
5.	121887	SCREW, 1/4-20X .75 HHC	1
6.	57626	WASHER, FLAT .281X1.25X.06	2
7.	1502	NUT, 1/4-20 REGHEXCTRLK	1
8.	*	ASSEMBLY, LOWER CHUTE AIR ASSIST	1
9.	318073	CHUTE, LOWER	1
10.	316987	INLET	1
11.	318377	SCREW, 10-32X.50 SLWAHH	5
12.	314159	NUT, #10-32 CTRLK	5
13.	*	ASM. TOP COVER AND LID 40"43"	1
14.	309295	TOP COVER ERO BAGGER	1
15.	309320	TOP LID PIVOTING	1
16.	310194	ROD,GRASS CATCHER PIVOT	1
17.	121223	PIN, COTTER .0625X.75LG	2
18.	322980-853	TUBE ASSY. SUPPORT(DBL-GST)	1
19.	305197	BAFFLE GRASS CATCHER EURO	1
20.	309159-853	SUPPORT ROD. COVER	1
21.	306262	SCREEN, ERO BAGGER 6.0 X 18.25	1
22.	322389-853	TUBE LH. COLLECTOR SUPPORT	1
23.	322388-853	TUBE RH. COLLECTOR SUPPORT	1
24.	322157	BAG, GRASS COLLECTOR	2
25.	57505	RUBBER STRAP	2
26.	121900	SCREW, 1/4-20X1.00 HHC	2
27.	120392	WASHER, FLAT .281X .63X.065	4
28.	1502	NUT, 1/4-20 REGHEXCTRLK	2
29.	308619	PIN, CLEVIS .25X1.656X1.75	2
30.	56180	PIN, HAIR .091 DIA X1.62LG	2
31.	180081	SCREW, 5/16-18X1.25 HHC	4
32.	1498	NUT, 5/16-18 REGHEXCTRLK	4
33.	55688	SCREW, 1/4-20X .63 SLTRMA	4
34.	120392	WASHER, FLAT .281X .63X.065	4
35.	271172	NUT, 1/4-20 REGHEXKEPS	4
36.	306487	SCREW, 1/4-20X1.50 HHTAP	3
37.	306079	SPACER, BAGGER .87X7/16X.060	2
38.	309296	SPACER ERO BAGGER .69X.44X.06	1
39.	44811	SCREW, 1/4-20X .75 HXWATAP	6
40.	57505	RUBBER STRAP	2
41.	309648	MF HOLD DOWN, RUBBER STRAP	2
42.	73664	NUT, PUSH ON 3/8"	2
43.	327627	OWNER'S MANUAL	1

\* ORDER INDIVIDUAL PARTS