



Illustrated Parts List

Model Series

129800

TYPE NUMBERS
0100 through 4401.

TABLE OF CONTENTS

Alternator	8
Air Cleaner	4
Blower Housing/Shrouds	6
Camshaft	2
Carburetor	3
Controls	5
Crankshaft	2
Cylinder	2
Electric Starter	8
Electrical	8
Engine Sump	2
Exhaust System	4
Flywheel	7
Flywheel Brake	8
Fuel Supply	5
Governor Spring	5
Ignition	8
Kits/Gaskets	2 & 3
Lubrication	2
Piston Group	2
Rewind Starter	7
Valves	2

Not for reproduction



PRINTED IN U.S.A.

COPYRIGHT by BRIGGS & STRATTON CORPORATION
All rights reserved. No part of this material may be reproduced or transmitted, in any form or by any means, electronic or mechanical, including photocopying, recording or by any information storage and retrieval system, without permission in writing from Briggs & Stratton Corporation.

1319 WARNING LABEL



REQUIRED when replacing parts with warning labels affixed.

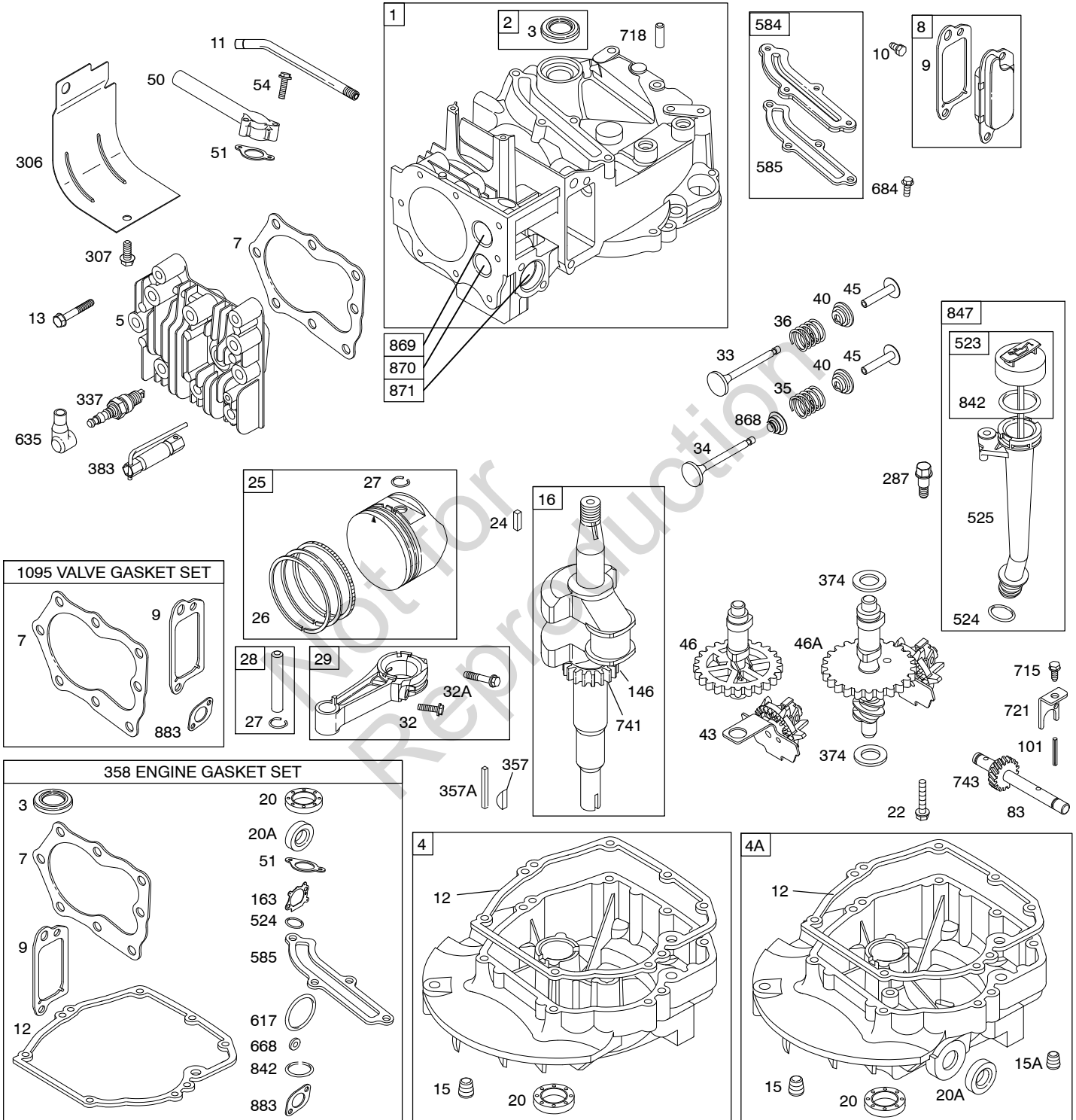
1058 OPERATOR'S MANUAL



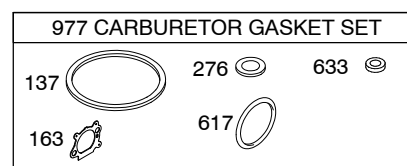
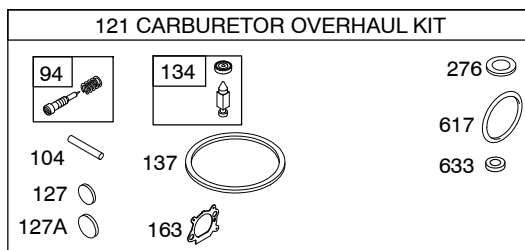
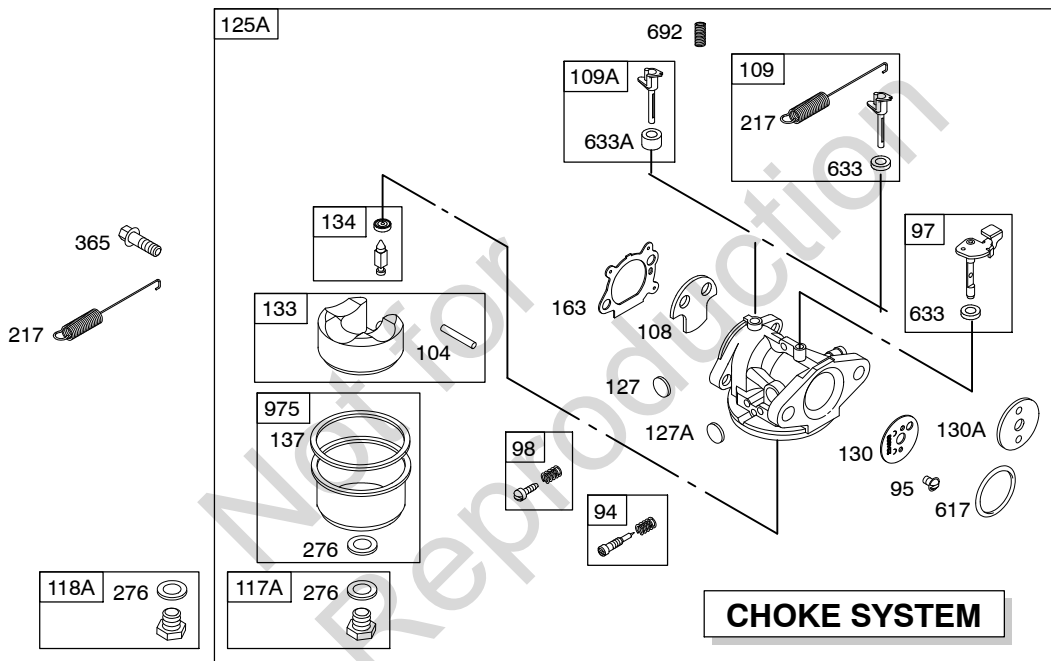
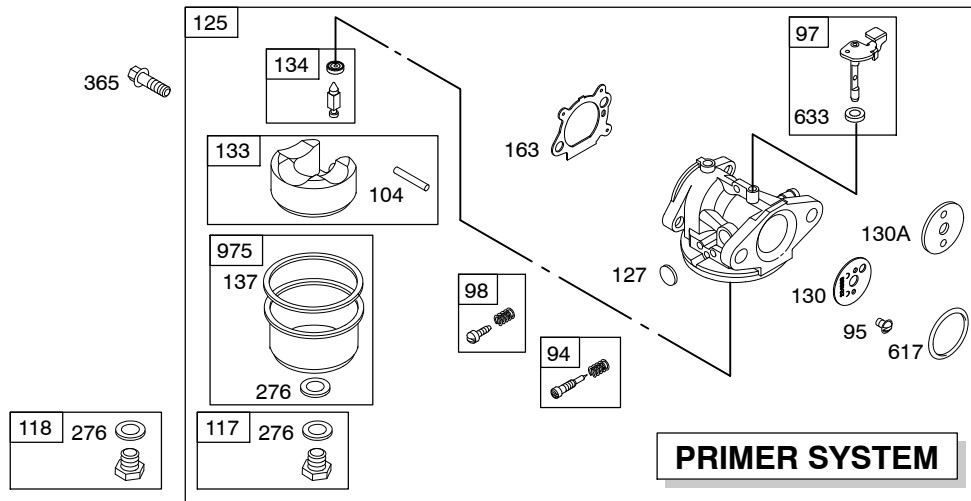
1330 REPAIR MANUAL



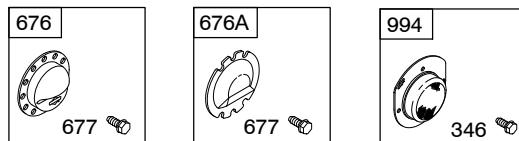
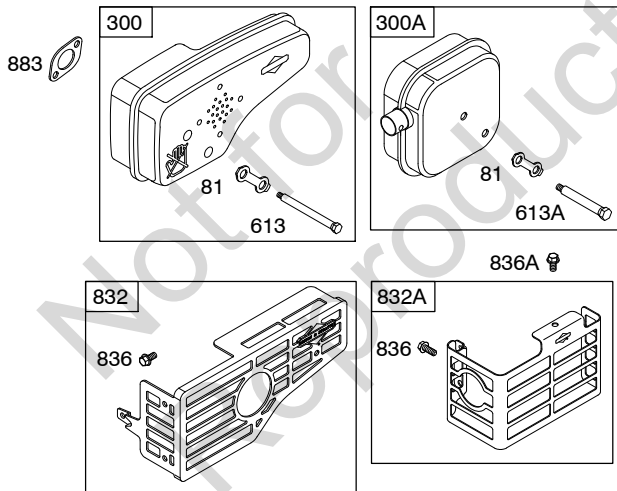
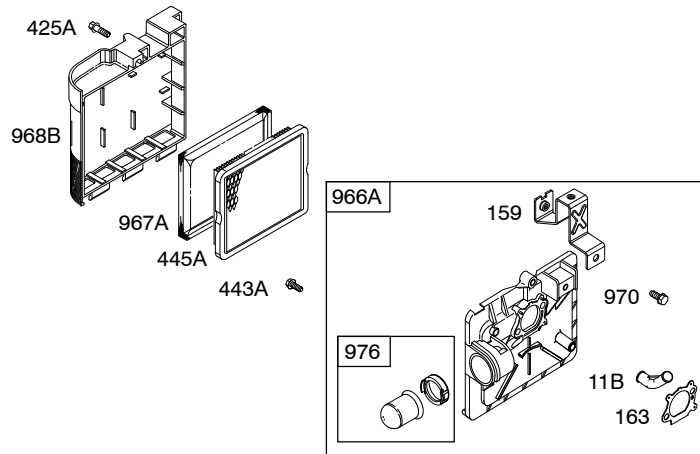
1019 LABEL KIT

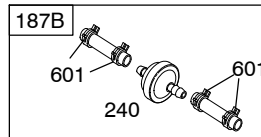
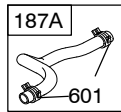
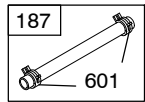
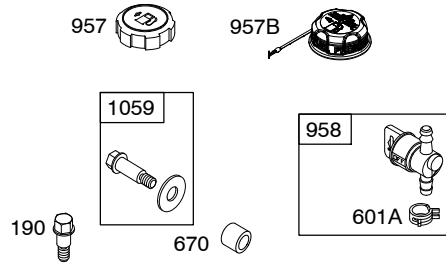
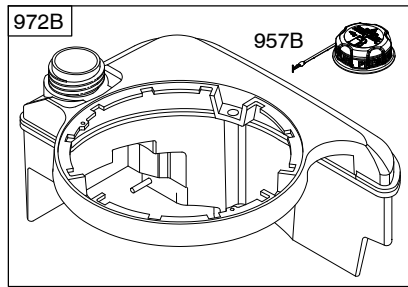


Illustrations cover a range of engines. Parts shown without corresponding text may not be used on your specific engine.
0558-2 Assemblies include all parts shown in frames. **11/18/2011**

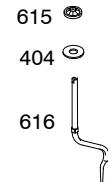
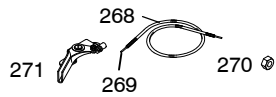
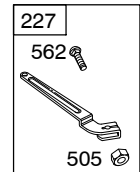
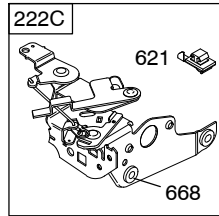
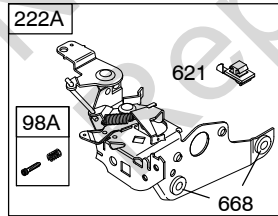
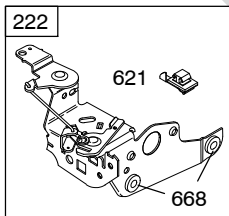


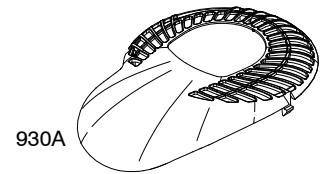
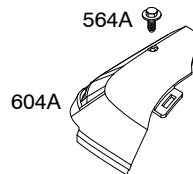
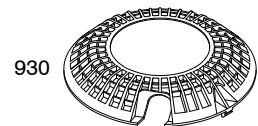
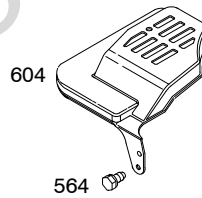
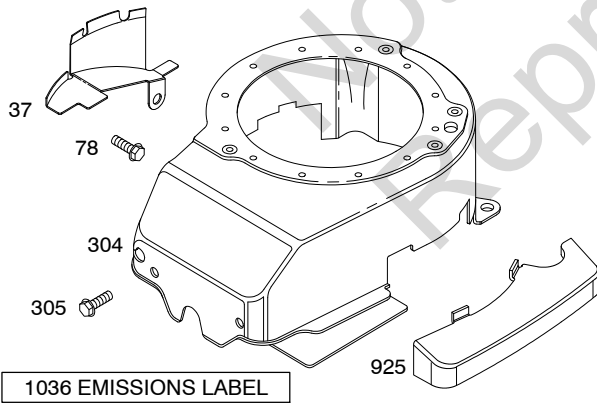
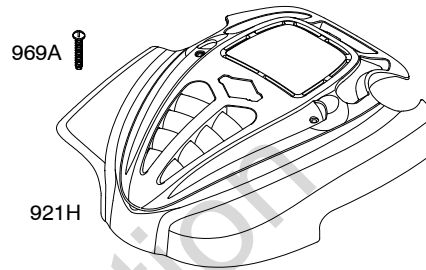
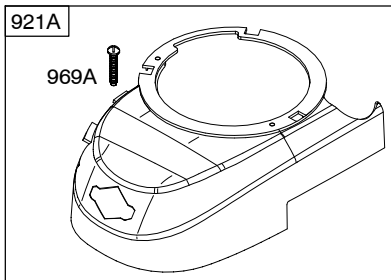
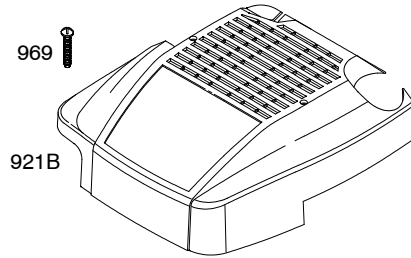
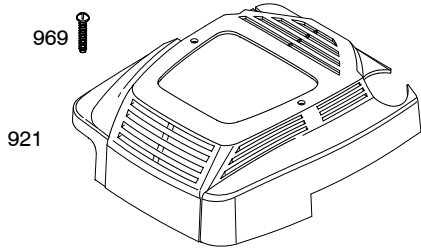
Illustrations cover a range of engines. Parts shown without corresponding text may not be used on your specific engine.
 0558-3 Assemblies include all parts shown in frames. 11/18/2011

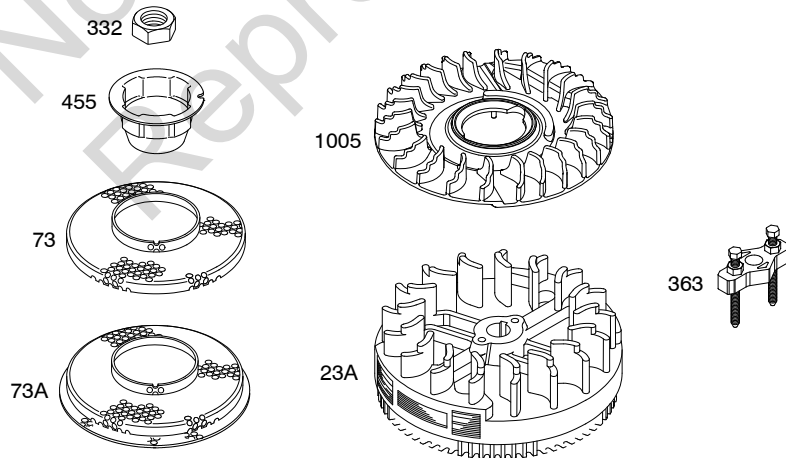
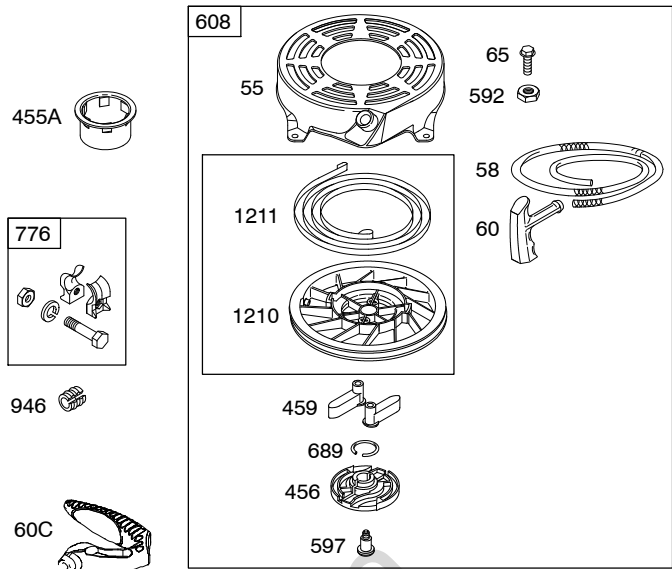
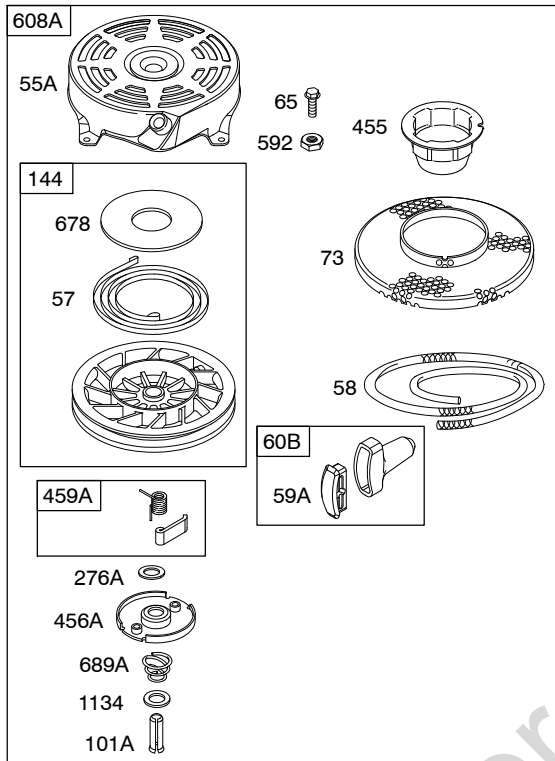




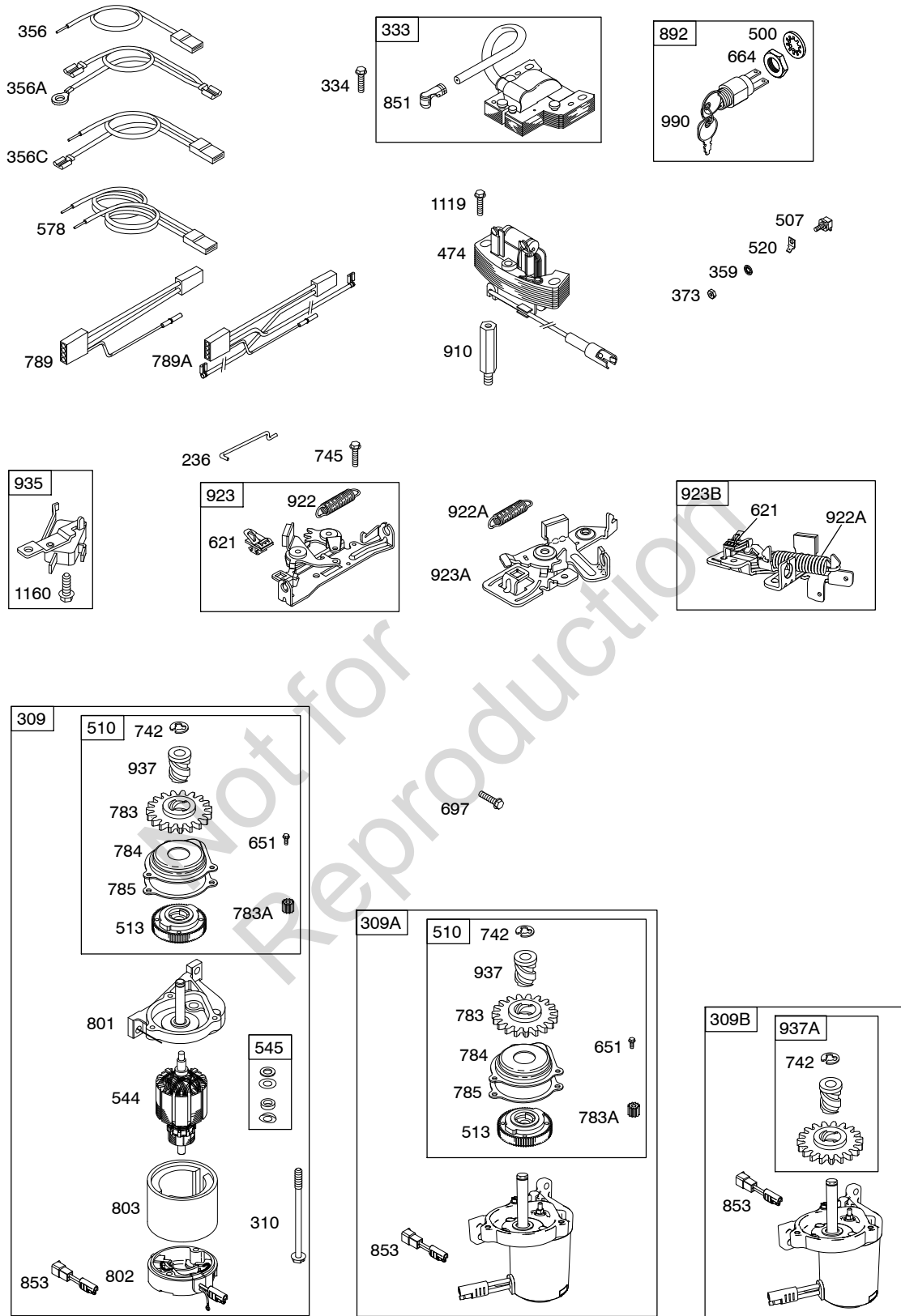
Not for reproduction







0558-7 *Illustrations cover a range of engines. Parts shown without corresponding text may not be used on your specific engine.* Assemblies include all parts shown in frames. 11/18/2011



Illustrations cover a range of engines. Parts shown without corresponding text may not be used on your specific engine.
 0558-8 Assemblies include all parts shown in frames. 11/18/2011

REF. NO.	PART NO.	DESCRIPTION	REF. NO.	PART NO.	DESCRIPTION	REF. NO.	PART NO.	DESCRIPTION
1	590401	Cylinder Assembly (Used After Code Date 11063000). ----- Note ----- 697324 Cylinder Assembly (Used Before Code Date 11070100).	7	★ 799875	Gasket-Cylinder Head (Used After Code Date 11063000). ----- Note ----- 692249 Gasket-Cylinder Head (Used Before Code Date 11070100).	10	94650	Screw (Breather Assembly)
2	399269	Kit-Bushing/Seal (Magneto Side)	8	590395	Breather Assembly (Used After Code Date 11063000). ----- Note ----- 695250 Beather-Assembly (Used Before Code Date 11070100).	11B	691781	Tube-Breather
3	★299819S	Seal-Oil (Magneto Side)				12	★692232	Gasket-Crankcase
4	493279	Sump-Engine				13	590422	Screw (Cylinder Head) (Used After Code Date 11063000). ----- Note ----- 690912 Screw (Cylinder Head) (Used Before Code Date 11070100).
4A	493365	Sump-Engine (Auxiliary PTO)				15	691680	Plug-Oil Drain (Square Socket)
5	590411	Head-Cylinder (Used After Code Date 11063000). ----- Note ----- 691160 Head-Cylinder (Used Before Code Date 11070100).	9	★ 699472	Gasket-Breather (Used After Code Date 11063000). ----- Note ----- 699833 Gasket-Beather (Used Before Code Date 11070100).	15A	691093	Plug-Oil Drain (Hex Socket)

★ Included in Engine Gasket Set-Ref. No.358.

● Included in Carburetor Overhaul Kit-Ref. No. 121.

◆ Included in Carburetor Gasket Set-Ref. No. 977.

⊘ Included in Valve Gasket Set-Ref. No 1095.

Illustrations cover a range of engines. Parts shown without corresponding text may not be used on your specific engine.

129800

REF. NO.	PART NO.	DESCRIPTION	REF. NO.	PART NO.	DESCRIPTION	REF. NO.	PART NO.	DESCRIPTION		
16	691451	Crankshaft (Used After Code Date 97011200). ----- Note ----- 694442 Crankshaft (Used Before Code Date 9701130). 691450 Crankshaft (Used After Code Date 97011200). Used on Type No(s). 0600, 0808, 0838, 0846, 0847, 0859, 0863, 0864, 0874, 0875, 0878, 0879, 0880, 0883, 0913, 1108, 1114, 1115, 1116, 1117, 1134, 1139, 1141, 1154, 1350, 1351, 1508, 1512, 1518, 1519, 1700, 1908, 1910, 1929, 1933, 1975, 2040, 2042, 2308, 2317, 2608, 2825, 2925, 3149, 3150, 3151. 694440 Crankshaft (Used Before Code Date 97011300). Used on Type No(s). 0600, 0808, 0838, 0846, 0847, 0859, 0863, 0864, 0874, 0875, 0878, 0879, 0880, 0883, 0913, 1108, 1114, 1115, 1116, 1117, 1134, 1139, 1508, 1512, 1518, 1519, 2825. 693017 Crankshaft (Used After Code Date 97011200). Used on Type No(s). 2824. 694441 Crankshaft (Used Before Code Date 97011300). Used on Type No(s). 2824.								
					691452 Crankshaft (Used After Code Date 97011200). Used on Type No(s). 0822, 0828, 0835, 0845, 0848, 0855, 0865, 0881, 0889, 0893, 0899, 0917, 0918, 0919, 0920, 1143, 1520, 1962, 2319, 2343. 694059 Crankshaft (Used Before Code Date 97011300). Used on Type No(s). 0822, 0828, 0835, 0845, 0848, 0855, 0865, 0881, 0889, 0893, 0899, 0917, 0918, 0919, 1143, 1520, 2343. 691455 Crankshaft (Used After Code Date 97011200). Used on Type No(s). 0832, 0834, 0853, 0912, 1912, 2012, 2356, 2818, 2918. 691375 Crankshaft (Used Before Code Date 97011300). Used on Type No(s). 0832, 0834, 0853, 0912, 2818. 692980 Crankshaft Used on Type No(s). 4305. 692000 Crankshaft Used on Type No(s). 1426.					
								20 *399781S Seal-Oil (PTO Side) 20A *691952 Seal-Oil (PTO Side) (Auxiliary PTO) 22 691092 Screw (Crankcase Cover/ Sump) 23A 691987 Flywheel ----- Note ----- 691992 Flywheel Used on Type No(s). 0837, 0843, 0845, 0848, 0860, 0865, 0876, 0881, 0887, 1112, 1520, 1905, 1912, 1913, 1931, 1962, 2319, 2356. 24 222698S Key-Flywheel		

★ Included in Engine Gasket Set-Ref. No.358.

● Included in Carburetor Overhaul Kit-Ref. No. 121.

◆ Included in Carburetor Gasket Set-Ref. No. 977.

⊗ Included in Valve Gasket Set-Ref. No 1095.

Illustrations cover a range of engines. Parts shown without corresponding text may not be used on your specific engine.

REF. NO.	PART NO.	DESCRIPTION	REF. NO.	PART NO.	DESCRIPTION	REF. NO.	PART NO.	DESCRIPTION
25	590404	Piston Assembly (Standard) (Used After Code Date 11063000). ----- Note ----- 797302 Piston Assembly (Standard) (Used After Code Date 09041600 and Before Code Date 11070100). 795429 Piston Assembly (Standard) (Used After Code Date 07090300 and Before Code Date 09041700). 791096 Piston Assembly (Used After Code Date 97011200 and Before Code Date 07090400). 494058 Piston Assembly (Standard) (Used Before Code Date 97011300). 590405 Piston Assembly (.020" Oversize) (Used After Code Date 11063000). 797303 Piston Assembly (.020" Oversize) (Used After Code Date 09041600 and Before Code Date 11070100). 795430 Piston Assembly (.020" Oversize) (Used After Code Date 07090300 and Before Code Date 09041700). 791325 Piston Assembly (.020" Oversize) (Used After Code Date 97011200 and Before Code Date 07090400). 494060 Piston Assembly (.020" Oversize) (Used Before Code Date 97011300).	26	590402	Ring Set (Standard) (Used After Code Date 11063000). ----- Note ----- 797304 Ring Set (Standard) (Used After Code Date 09041600 and Before Code Date 11070100). 795431 Ring Set (Standard) (Used After Code Date 07090300 and Before Code Date 09041700). 791098 Ring Set (Standard) (Used After Code Date 97011200 and Before Code Date 07090400). 499425 Ring Set (Standard) (Used After Code Date 97011200 and Before Code Date 04031500). 493261 Ring Set (Standard) (Used Before Code Date 97011300).			590403 Ring Set (.020" Oversize) (Used After Code Date 11063000). 797305 Ring Set (.020" Oversize) (Used After Code Date 09041600 and Before Code Date 11070100). 795432 Ring Set (.020" Oversize) (Used After Code Date 07090300 and Before Code Date 09041700). 791324 Ring Set (.020" Oversize) (Used After Code Date 04102100 and Before Code Date 07090400). 499427 Ring Set (.020" Oversize) (Used After Code Date 97011200 and Before Code Date 04102200). 493389 Ring Set (.020" Oversize) (Used Before Code Date 97011300).

★ Included in Engine Gasket Set-Ref. No.358.

● Included in Carburetor Overhaul Kit-Ref. No. 121.

◆ Included in Carburetor Gasket Set-Ref. No. 977.

⊘ Included in Valve Gasket Set-Ref. No 1095.

Illustrations cover a range of engines. Parts shown without corresponding text may not be used on your specific engine.

129800

REF. NO.	PART NO.	DESCRIPTION	REF. NO.	PART NO.	DESCRIPTION	REF. NO.	PART NO.	DESCRIPTION
27	691588	Lock-Piston Pin (Used After Code Date 09041600). ----- Note ----- 691866 Lock-Piston Pin (Used After Code Date 97011200 and Before Code Date 09041700). 691588 Lock-Piston Pin (Used Before Code Date 97011300).	32	691664	Screw (Connecting Rod)	46	691449	Camshaft (Used After Code Date 96060200). ----- Note ----- 492830 Camshaft (Used Before Code Date 96060300).
28	298909	Pin-Piston (Standard) (Used After Code Date 09041600). ----- Note ----- 499423 Pin-Piston (Standard) (Used After Code Date 97011200 and Before Code Date 09041700). 298909 Pin-Piston (Standard) (Used Before Code Date 97011300). 298908 Pin-Piston (.005" Oversize) (Used Before Code Date 97011300).	33	590394	Valve-Exhaust (Used After Code Date 11063000). ----- Note ----- 260651S Valve-Exhaust (Used Before Code Date 11070100).	46A	691460	Camshaft (Clockwise) (Used After Code Date 96060200). ----- Note ----- 493740 Camshaft (Clockwise) (Used Before Code Date 96060300). 691459 Camshaft (Counterclockwise) (Used After Code Date 96060200). Used on Type No(s). 0689, 0832, 0841, 0850, 0860, 0867, 0873, 0877, 0878, 0883, 0905, 0906, 0915, 1111, 1138, 1930, 1932, 2034, 2039, 2355, 2851, 2026, 2043.
29	797306	Rod-Connecting (Standard) (Used After Code Date 09041600). ----- Note ----- 499424 Rod-Connecting (Standard) (Used After Code Date 97011200 and Before Code Date 09041700). 490566 Rod-Connecting (Standard) (Used Before Code Date 97011300).	34	590393	Valve-Intake (Used After Code Date 11063000). ----- Note ----- 262652S Valve-Intake (Used Before Code Date 11070100).			
			35	691270	Spring-Valve (Intake)			
			36	691270	Spring-Valve (Exhaust)			
			37	694086	Guard-Flywheel			
			40	692194	Retainer-Valve			
			43	691997	Slinger-Governor/Oil			
			45	690548	Tappet-Valve			

★ Included in Engine Gasket Set-Ref. No.358.

● Included in Carburetor Overhaul Kit-Ref. No. 121.

◆ Included in Carburetor Gasket Set-Ref. No. 977.

⊘ Included in Valve Gasket Set-Ref. No 1095.

Illustrations cover a range of engines. Parts shown without corresponding text may not be used on your specific engine.

REF. NO.	PART NO.	DESCRIPTION	REF. NO.	PART NO.	DESCRIPTION	REF. NO.	PART NO.	DESCRIPTION
50	497465	Manifold-Intake	83	691778	Shaft-Auxiliary Drive	117	494870	Jet-Main
51	★272199S	Gasket-Intake			----- Note -----			(Standard)
54	691650	Screw (Intake Manifold)			690522 Shaft-Auxiliary Drive			(Used After Code Date 02092900).
55	691421	Housing-Rewind Starter			Used on Type No(s). 0841, 0910, 0914, 1111, 1930, 1932, 2039, 2355, 2851, 2950, 2951.			----- Note -----
55A	492831	Housing-Rewind Starter			690523 Shaft-Auxiliary Drive			498975 Jet-Main
57	491889	Spring-Rewind Starter			Used on Type No(s). 0836, 1350, 1916, 1936.			(Standard)
58	280399S	Rope-Starter (Cut To Required Length)			690524 Shaft-Auxiliary Drive			(Used After Code Date 96060200 and Before Code Date 02093000).
59A	396892	Insert-Grip			Used on Type No(s). 0689, 0832, 0860, 0867, 0873, 0877, 0878, 0883, 0905, 0906, 1138, 2026, 2029, 2043.			494870 Jet-Main
60	281434S	Grip-Starter Rope (Pistol Grip)			690521 Shaft-Auxiliary Drive			(Standard)
60B	393152	Grip-Starter Rope (2 Piece)			Used on Type No(s). 1913.			(Used After Code Date 95102900 and Before Code Date 96060300).
60C	799716	Grip-Starter Rope			94 ●493765 Kit-Idle Mixture	117A	498976	497466 Jet-Main
65	690837	Screw (Rewind Starter)			95 691636 Screw (Throttle Valve)			(Standard)
73	691221	Screen-Rotating			97 493267 Shaft-Throttle (Metal)			(Used After Code Date 96060200).
73A	691222	Screen-Rotating			----- Note -----			----- Note -----
78	691108	Screw (Flywheel Guard)			696565 Shaft-Throttle (Plastic)			496063 Jet-Main
81	691740	Lock-Muffler Screw			98 398185 Kit-Idle Speed			(Standard)
					98A 493280 Kit-Idle Speed			(Used Before Code Date 96060300).
					101 691623 Pin-Shaft			498981 Jet-Main
					101A 262626 Pin-Shaft			(Standard)
					104 ●691242 Pin-Float Hinge			Used on Type No(s). 1910.
					108 691182 Valve-Choke			494870 Jet-Main
					109 494218 Shaft-Choke			(Standard)
					109A 498593 Shaft-Choke			Used on Type No(s). 2319.

★ Included in Engine Gasket Set-Ref. No.358.

● Included in Carburetor Overhaul Kit-Ref. No. 121.

◆ Included in Carburetor Gasket Set-Ref. No. 977.

⊘ Included in Valve Gasket Set-Ref. No 1095.

Illustrations cover a range of engines. Parts shown without corresponding text may not be used on your specific engine.

129800

REF. NO.	PART NO.	DESCRIPTION	REF. NO.	PART NO.	DESCRIPTION	REF. NO.	PART NO.	DESCRIPTION
118	497315	Jet-Main (High Altitude) (Used After Code Date 02092900). ----- Note ----- 497348 Jet-Main (High Altitude) (Used After Code Date 96060200 and Before Code Date 02093000). 498975 Jet-Main (High Altitude) (Used After Code Date 95102900 and Before Code Date 96060300). 496495 Jet-Main (High Altitude) (Used After Code Date 94070300 and Before Code Date 95103000). 496063 Jet-Main (High Altitude) (Used Before Code Date 94070400).	121	498260	Kit-Carburetor Overhaul	130	691203	Valve-Throttle ----- Note ----- 696564 Valve-Throttle (Used With Plastic Throttle Shaft)
			125	698444	Carburetor (Primer System) (Used After Code Date 96060200). ----- Note ----- 498170 Carburetor (Primer System) (Used Before Code Date 96060300).	130A	691181	Valve-Throttle
						133	398187	Float-Carburetor
			125A	498964	Carburetor (Choke System) (Used After Code Date 96060200). ----- Note ----- 497353 Carburetor (Choke System) (Used Before Code Date 96060300). 790978 Carburetor (Choke System) Used on Type No(s). 1910.	137	◆796610	Gasket-Float Bowl (1/8" Thick) ----- Note ----- 693981 Gasket-Float Bowl (1/16" Thick)
						144	493824	Pulley/Spring Assembly
						146	690979	Key-Timing
118A	498977	Jet-Main (High Altitude) (Used After Code Date 96060200). ----- Note ----- 497315 Jet-Main (High Altitude) (Used Before Code Date 96060300). 494870 Jet-Main (High Altitude) Used on Type No(s). 1910. 497315 Jet-Main (High Altitude) Used on Type No(s). 2319.				159	691753	Bracket-Air Cleaner Primer
						163	◆◆272653	Gasket-Air Cleaner
			127	◆694468	Plug-Welch (3/8" Diameter)	187	791766	Line-Fuel (Cut to Required Length)
			127A	◆691739	Plug-Welch (5/16" Diameter)	187A	791873	Line-Fuel (Molded)
						187B	791891	Line-Fuel (Includes Filter)
						188	690877	Screw (Control Bracket)
						190	690940	Screw (Fuel Tank)
						202	691829	Link-Mechanical Governor

★ Included in Engine Gasket Set-Ref. No.358.

● Included in Carburetor Overhaul Kit-Ref. No. 121.

◆ Included in Carburetor Gasket Set-Ref. No. 977.

⊙ Included in Valve Gasket Set-Ref. No 1095.

Illustrations cover a range of engines. Parts shown without corresponding text may not be used on your specific engine.

REF. NO.	PART NO.	DESCRIPTION	REF. NO.	PART NO.	DESCRIPTION	REF. NO.	PART NO.	DESCRIPTION																																																									
209	699056	Spring-Governor ----- Note ----- 691851 Spring-Governor Used on Type No(s). 0832, 0834, 0838, 0855, 0874, 0875, 0877, 0906, 0908, 0913, 0928, 1113, 1116, 1117, 1350, 1351, 1367, 1368, 1512, 1516, 1519, 1937, 1974, 1975, 2006, 2008, 2028, 2030, 2035, 2040, 2313, 2317, 2318, 3149, 3150, 3151. 691292 Spring-Governor Used on Type No(s). 0819, 0822, 0828, 0846, 0847, 0848, 0853, 0856, 0857, 0859, 0860, 0861, 0862, 0863, 0867, 0873, 0876, 0881, 0887, 0888, 0889, 0915, 0917, 0918, 0919, 0920, 1108, 1111, 1154, 1508, 1517, 1701, 1912, 1915, 1932, 1961, 1962, 2308, 2319, 2608, 2617. 691291 Spring-Governor Used on Type No(s). 0864, 0878, 0883, 1905, 1913, 2034, 2356, 4305. 691290 Spring-Governor Used on Type No(s). 0836, 1916, 1936. 690568 Spring-Governor Used on Type No(s). 0865.	209A	691835	Spring-Governor ----- Note ----- 691834 Spring-Governor Used on Type No(s). 0426,0437,0441,1134, 1139,1415,1416,1418, 1424,1425,1426,1460, 2860. 691833 Spring-Governor Used on Type No(s). 0410,0411,0412,0413, 0429,0435,0474,0475, 0813,0835,0927,1518, 1520. 691832 Spring-Governor Used on Type No(s). 0425,0470. 691276 Spring-Governor Used on Type No(s). 0415,0416,0905,0907, 0909. 691275 Spring-Governor Used on Type No(s). 0514,0515. 690569 Spring-Governor Used on Type No(s). 0472,0872,0879,0880, 1114,1115,1141. 690567 Spring-Governor Used on Type No(s). 0436. 262661 Spring-Governor Used on Type No(s). 0208,0508. 262659 Spring-Governor Used on Type No(s). 0100,0120,0126,0180, 0408,0513,1451. 262658 Spring-Governor Used on Type No(s). 0432,0434. 791157 Spring-Governor Used on Type No(s). 1910.	217	690354	Spring-Choke Return	222	790143	Bracket-Control (Remote/Manual Friction)(Primer)	222A	692021	Bracket-Control (Remote Choke A Matic, Non Compliance) ----- Note ----- 690839 Bracket-Control (Manual Friction) (Choke A Matic) Used on Type No(s). 2860. 790982 Bracket-Control Used on Type No(s). 1910.	222C	692150	Bracket-Control Used on Type No(s). 2319.	227	690783	Lever-Governor Control	236	691826	Link-Lockout	240	298090S	Filter-Fuel	265	690798	Clamp-Casing	265A	691024	Clamp-Casing	265B	692179	Clamp-Casing	267	691044	Screw (Casing Clamp)	268	691025	Casing-Control Wire (Cut To Required Length)	269	691026	Wire-Control (Cut To Required Length)	270	691027	Nut (Control Wire Casing)	271	691028	Lever-Control	276 ◆◆	271716	Washer-Sealing	276A	280973	Washer-Sealing	287	690940	Screw (Dipstick Tube)	300	496106S	Muffler	300A	494343S	Muffler

★ Included in Engine Gasket Set-Ref. No.358.

● Included in Carburetor Overhaul Kit-Ref. No. 121.

◆ Included in Carburetor Gasket Set-Ref. No. 977.

⊗ Included in Valve Gasket Set-Ref. No 1095.

Illustrations cover a range of engines. Parts shown without corresponding text may not be used on your specific engine.

129800

REF. NO.	PART NO.	DESCRIPTION	REF. NO.	PART NO.	DESCRIPTION	REF. NO.	PART NO.	DESCRIPTION
304	493294	Housing-Blower (Non Compliance) ----- Note ----- 493293 Housing-Blower (Compliance) 695892 Housing-Blower Used on Type No(s). 1141, 1910, 2025.	334	691061	Screw (Magneto Armature)	359	691077	Washer (Ground Terminal)
305	691108	Screw (Blower Housing)	337	799876	Plug-Spark (Used After Code Date 11063000). ----- Note ----- 802592S Plug-Spark (Resistor) (Used Before Code Date 11070100). 697451 Plug-Spark (EMS) (Used Before Code Date 11070100).	363	19069	Flywheel Puller
306	690450	Shield-Cylinder				365	691688	Screw (Carburetor)
307	690345	Screw (Cylinder Shield)	346	690661	Screw (Spark Arrestor)	373	691612	Nut (Ground Terminal)
309	695550	Motor-Starter (Used Before Code Date 07052900).	356	692390	Wire-Stop	374	691074	Washer (Camshaft)
309A	795092	Motor-Starter (Used After Code Date 07052800 and Before Code Date 10112800).	356A	690650	Wire-Stop	383	89838S	Wrench-Spark Plug
309B	799045	Motor-Starter (Used After Code Date 10112700).	356C	690808	Wire-Stop	404	690272	Washer (Governor Crank)
310	692327	Bolt (Starter Motor)	357	695867	Key-Drive Pulley (3/16" Square)	425A	690670	Screw (Air Cleaner Cover)
332	690662	Nut (Flywheel)	357A	692191	Key-Drive Pulley (3/16" Square) ----- Note ----- 691483 Key-Drive Pulley (1/4" Square)	443A	692523	Screw (Air Cleaner Primer Base)
333	802574	Armature-Magneto	358	590508	Gasket Set-Engine (Used After Code Date 11063000). ----- Note ----- 794307 Gasket Set-Engine (Used After Code Date 94063000 and Before Code Date 11070100). 496117 Gasket Set-Engine (Used Before Code Date 94070100).	445A	491588S	Filter-Air Cleaner Cartridge
						455	791960	Cup-Flywheel (Tapered Side Cup)
						455A	224250	Cup-Flywheel (Straight Side Cup)
						456	692299	Plate-Pawl Friction
						456A	224321	Plate-Pawl Friction
						459	281505S	Pawl-Ratchet
						459A	492833	Pawl-Ratchet
						474	691991	Alternator
						500	691086	Washer (Key Switch)

★ Included in Engine Gasket Set-Ref. No.358.

● Included in Carburetor Overhaul Kit-Ref. No. 121.

◆ Included in Carburetor Gasket Set-Ref. No. 977.

⊘ Included in Valve Gasket Set-Ref. No 1095.

Illustrations cover a range of engines. Parts shown without corresponding text may not be used on your specific engine.

REF. NO.	PART NO.	DESCRIPTION	REF. NO.	PART NO.	DESCRIPTION	REF. NO.	PART NO.	DESCRIPTION
505	691251	Nut (Governor Control Lever)	615	690340	Retainer-Governor Shaft	741	797521	Gear-Timing (Metal) (Used After Code Date 08021700).
507	691972	Insulator	616	698801	Crank-Governor			----- Note -----
510	795093	Drive-Starter	617	★◆270344	Seal-O Ring (Intake Manifold)			795755 Gear-Timing (Plastic) (Used After Code Date 08021700).
513	692358	Clutch-Drive	621	692310	Switch-Stop			794388 Gear-Timing (Use Without Woodruff Key) (Used After Code Date 07093000 and Before Code Date 08021800).
520	691084	Terminal-Ground	633	◆691321	Seal-Choke/Throttle Shaft			790345 Gear-Timing (Use Without Woodruff Key)
523	499621	Dipstick	633A	◆693867	Seal-Choke/Throttle Shaft			(Used Before Code Date 07100100).
524	★692296	Seal-Dipstick Tube	635	66538S	Boot-Spark Plug			691830 Gear-Timing (Uses Woodruff Key)
525	495265	Tube-Dipstick	651	691660	Screw (Starter Gear Cover)			
544	690786	Armature-Starter	664	691087	Nut (Key Switch)			
545	492919	Washer Set (Starter Motor)	668	★493823	Spacer			
562	92613	Bolt (Governor Control Lever)	670	692294	Spacer-Fuel Tank			
564	690664	Screw (Control Cover)	676	396548	Deflector-Muffler (Single Louver)			
564A	691142	Screw (Control Cover)	676A	393756	Deflector-Muffler (Direct Out) (3/4" Diameter)			
578	398153	Wire Assembly	677	690661	Screw (Muffler Deflector)	742	93941	Retainer-E Ring
584	697734	Cover-Breather Passage	678	224278	Spacer-Rewind	743	690516	Gear-Drive ----- Note -----
585	★691879	Gasket-Breather Passage	684	690345	Screw (Breather Passage Cover)			691772 Gear-Drive (Counterclockwise) Used on Type No(s). 0689, 0832, 0841, 0850, 0860, 0867, 0873, 0877, 0878, 0883, 0905, 0906, 0915, 1111, 1138, 1930, 1932, 2026, 2029, 2039, 2043, 2355, 2851, 2951.
592	690800	Nut (Rewind Starter)	689	691855	Spring-Friction			
597	691696	Screw (Pawl Friction Plate)	689A	262625	Spring-Friction			
601	791850	Clamp-Hose	692	690572	Spring-Detent			
601A	691038	Clamp-Hose	697	692127	Screw (Drive Cap)			
604	691757	Cover-Control	715	691147	Screw (Shaft Stop)			
604A	691344	Cover-Control	718	690959	Pin-Locating			
608	497680	Starter-Rewind	721	690449	Stop-Shaft			
608A	497598	Starter-Rewind						
613	691340	Screw (Muffler)						
613A	691653	Screw (Muffler)						

★ Included in Engine Gasket Set-Ref. No.358.

● Included in Carburetor Overhaul Kit-Ref. No. 121.

◆ Included in Carburetor Gasket Set-Ref. No. 977.

⊗ Included in Valve Gasket Set-Ref. No 1095.

Illustrations cover a range of engines. Parts shown without corresponding text may not be used on your specific engine.

129800

REF. NO.	PART NO.	DESCRIPTION	REF. NO.	PART NO.	DESCRIPTION	REF. NO.	PART NO.	DESCRIPTION
745	691648	Screw (Brake)	803	695266	Housing-Starter (Used After Code Date 00040600).	868	590410	Seal-Valve (Used After Code Date 11063000).
776	396526	Guide-Rope			----- Note -----			----- Note -----
783	691918	Gear-Pinion (Starter Drive) (19 Teeth)			695975 Housing- Starter (Used Before Code Date 00040700).			697338 Seal-Valve (Used Before Code Date 11070100).
783A	691269	Gear-Pinion (12 Teeth)	832	590486	Guard-Muffler (Used After Code Date 11063000).	869	691155	Seat-Valve (Intake)
784	795095	Cover-Starter Gear			----- Note -----	870	690380	Seat-Valve (Exhaust)
785	692352	Gasket-Starter Cover			499034 Guard-Muffler (Used Before Code Date 11070100).	871	590409	Bushing-Valve Guide (Exhaust) (Used After Code Date 11063000).
789	696546	Harness-Wiring (Used After Code Date 00040600).	832A	691424	Guard-Muffler			----- Note -----
		----- Note -----	836	690664	Screw (Muffler Guard)			590409 Bushing-Valve Guide (Intake) (Used After Code Date 11063000).
		690790 Harness- Wiring (Used Before Code Date 00040700).	836A	690661	Screw (Muffler Guard)			
789A	696547	Harness-Wiring (Used After Code Date 00040600).	842	★691031	Seal-O Ring (Dipstick Tube)			
		----- Note -----	843	691884	Sleeve-Lever (Speed Control)			262001 Bushing-Valve Guide (Exhaust) (Used Before Code Date 11070100).
		691372 Harness- Wiring (Used Before Code Date 00040700).	843A	691895	Sleeve-Lever (Choke)			63709 Bushing-Valve Guide (Intake) (Used Before Code Date 11070100).
		494544 Harness- Wiring Used on Type No(s). 0515.	847	692047	Dipstick/Tube Assembly			
801	690782	Cap-Drive	851	493880	Terminal-Spark Plug			
802	695267	Cap-End (Used After Code Date 00040600).	853	695268	Adapter-Wire			
		----- Note -----			----- Note -----			
		695975 Cap-End (Used Before Code Date 00040700).			698471 Adapter-Wire Used on Type No(s). 2045.			
						883	★∅691881	Gasket-Exhaust
						892	690646	Switch-Key
						910	691094	Stud (Alternator)

★ Included in Engine Gasket Set-Ref. No.358.

● Included in Carburetor Overhaul Kit-Ref. No. 121.

◆ Included in Carburetor Gasket Set-Ref. No. 977.

∅ Included in Valve Gasket Set-Ref. No 1095.

Illustrations cover a range of engines. Parts shown without corresponding text may not be used on your specific engine.

REF. NO.	PART NO.	DESCRIPTION	REF. NO.	PART NO.	DESCRIPTION	REF. NO.	PART NO.	DESCRIPTION
921	497233	Cover-Blower Housing	957	397974S	Cap-Fuel Tank (Plastic)	1058	380567	Operator's Manual (Used After Code Date 11063000).
921A	695886	Cover-Blower Housing	957B	699985	Cap-Fuel Tank (Plastic)			----- Note -----
921B	692931	Cover-Blower Housing	958	698183	Valve-Fuel Shut Off (Plastic)			277039 Operator's Manual
921H	790037	Cover-Blower Housing	966A	496116	Base-Air Cleaner Primer			(Used Before Code Date 11070100).
922	691831	Spring-Brake	967A	493537S	Filter-Pre Cleaner	1059	692311	Kit-Screw/Washer
922A	692135	Spring-Brake	968B	692298	Cover-Air Cleaner	1095	590507	Gasket Set-Valve (Used After Code Date 11063000).
923	691994	Brake	969	690700	Screw (Blower Housing Cover)			----- Note -----
923A	695891	Brake (Used Before Code Date 08050100). Used on Type No(s) 1141, 1910, 2025.	969A	691138	Screw (Blower Housing Cover)			498528 Gasket Set-Valve (Used Before Code Date 11070100).
923B	796136	Brake (Used After Code Date 08043000). Used on Type No(s) 1141, 1910, 2025.	970	691669	Screw (Air Cleaner Primer Bracket)	1119	691648	Screw (Alternator)
925	795403	Cover-Linkage (Used After Code Date 07072200). ----- Note -----	972B	699374	Tank-Fuel (Plastic)	1134	224322	Washer (Pawl Friction Plate)
		690595 Cover-Linkage (Used Before Code Date 07072300).	975	493640	Bowl-Float	1160	690345	Screw (Interlock Switch)
930	691919	Guard-Rewind	976	694395	Primer-Carburetor	1210	498144	Pulley/Spring Assembly (Pulley)
930A	691345	Guard-Rewind	977	498261	Gasket Set-Carburetor	1211	498144	Pulley/Spring Assembly (Spring)
935	499421	Switch-Interlock (Used Before Code Date 08050100).	990	691959	Key Set	1319	794467	Label-Warning
937	691325	Spline-Starter	994	398067	Arrestor-Spark	1330	270962	Manual-Repair
937A	799420	Spline-Starter	1005	691346	Fan-Flywheel			
946	691738	Stop-Rope	1019	494256	Kit-Label			
			1036		Label-Emissions (Available From A Briggs & Statton Authorized Dealer)			

★ Included in Engine Gasket Set-Ref. No.358.

● Included in Carburetor Overhaul Kit-Ref. No. 121.

◆ Included in Carburetor Gasket Set-Ref. No. 977.

⊗ Included in Valve Gasket Set-Ref. No 1095.

Illustrations cover a range of engines. Parts shown without corresponding text may not be used on your specific engine.

Not for
Reproduction

